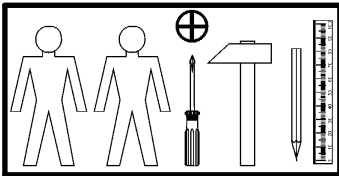
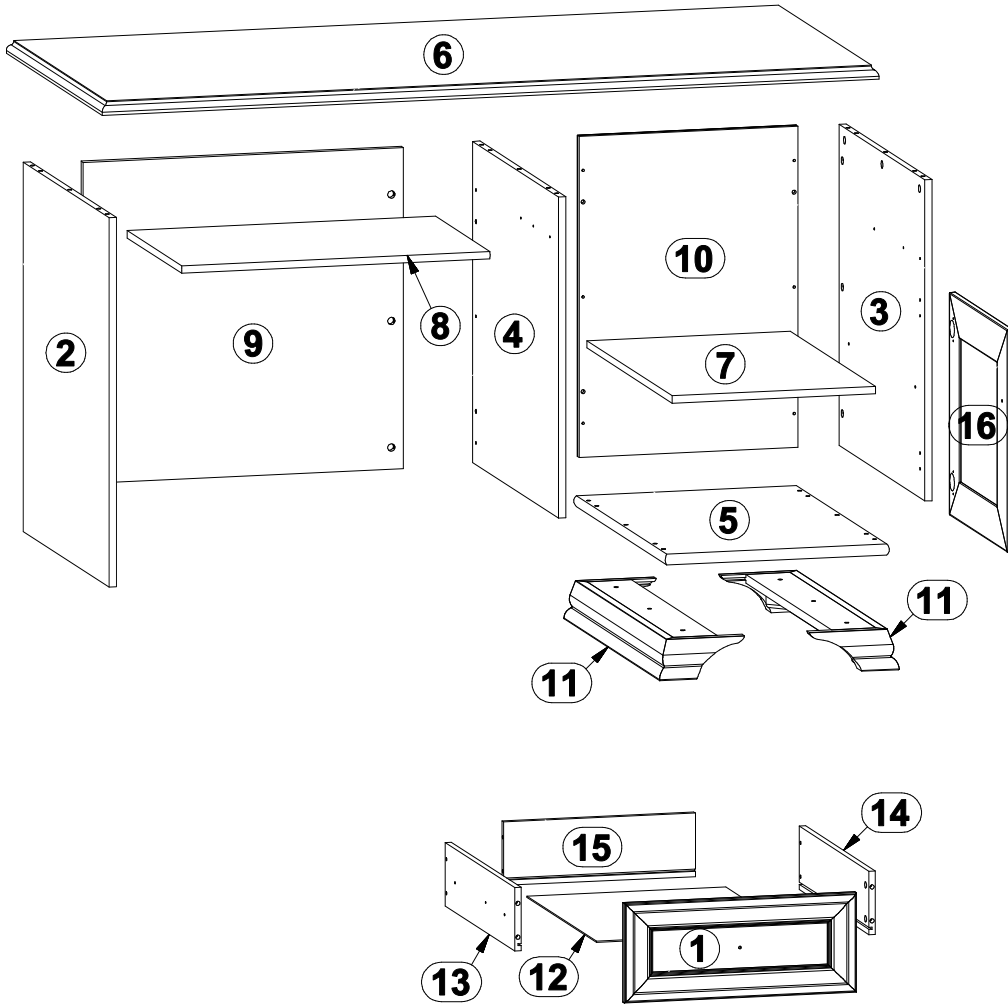
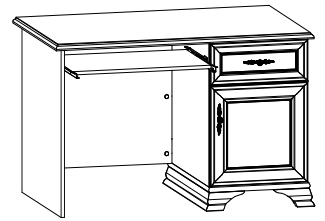
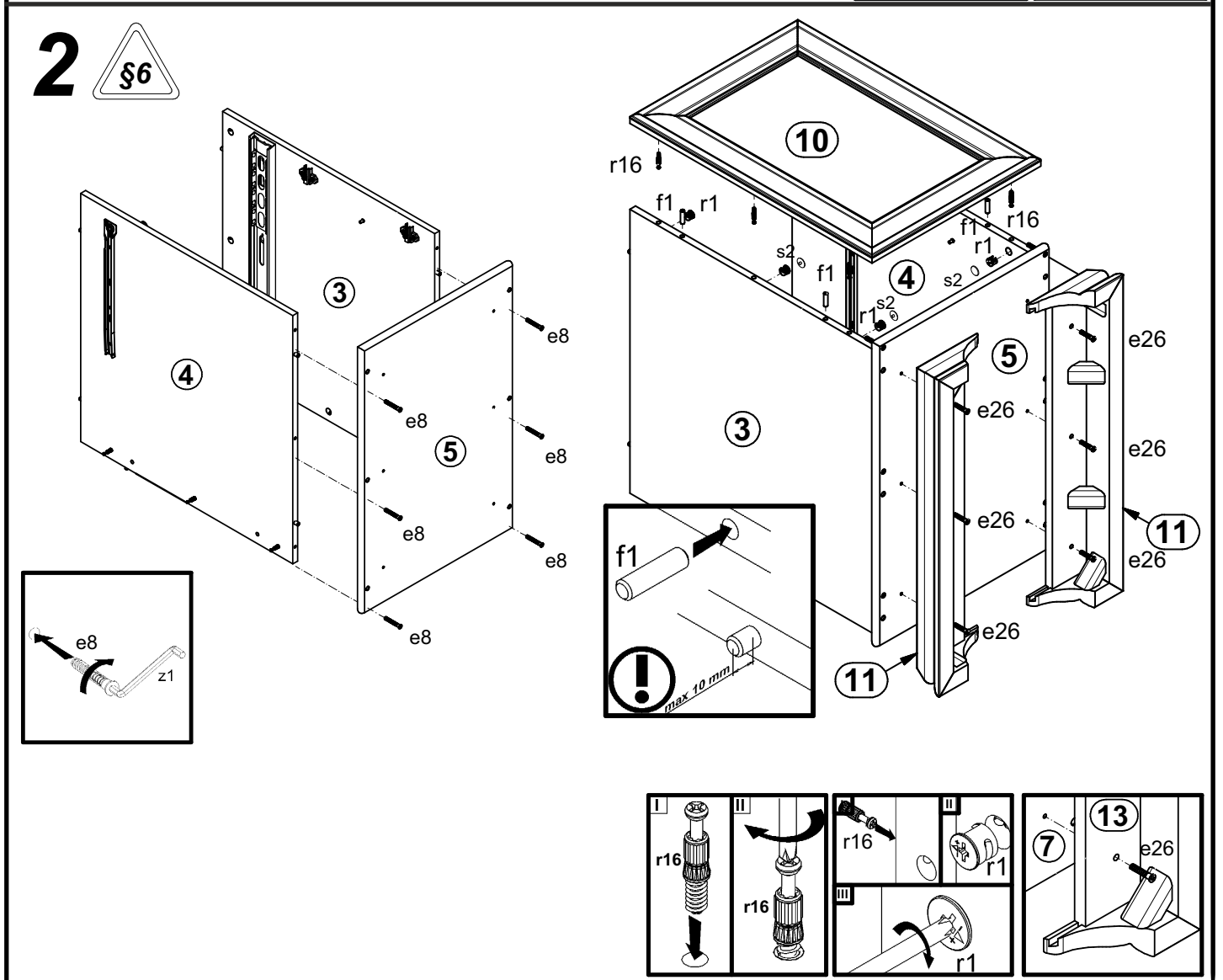
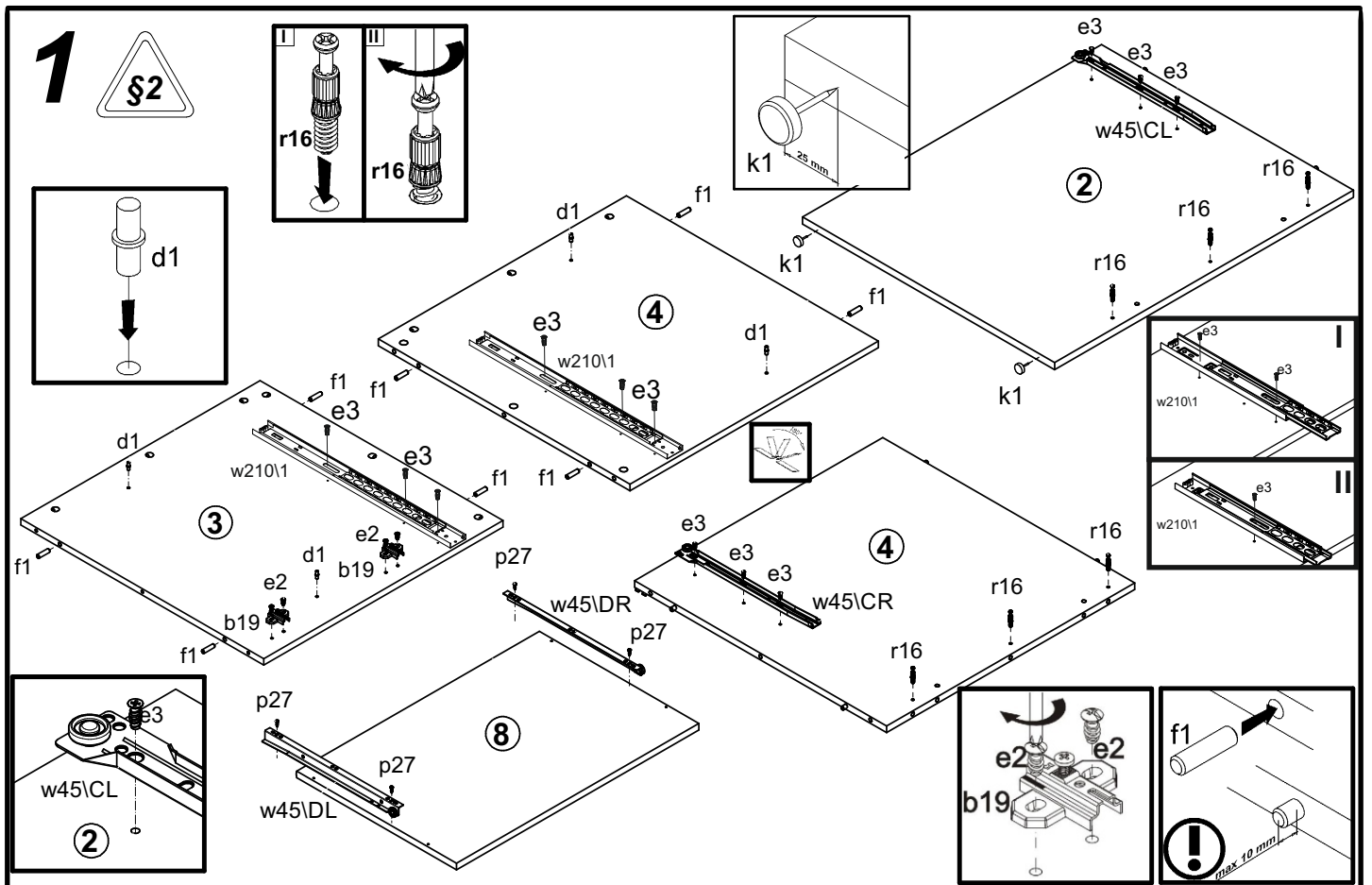


S320-BIU1D1S

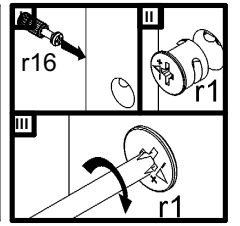
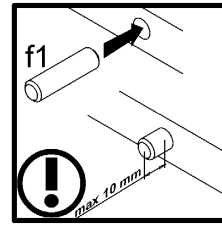
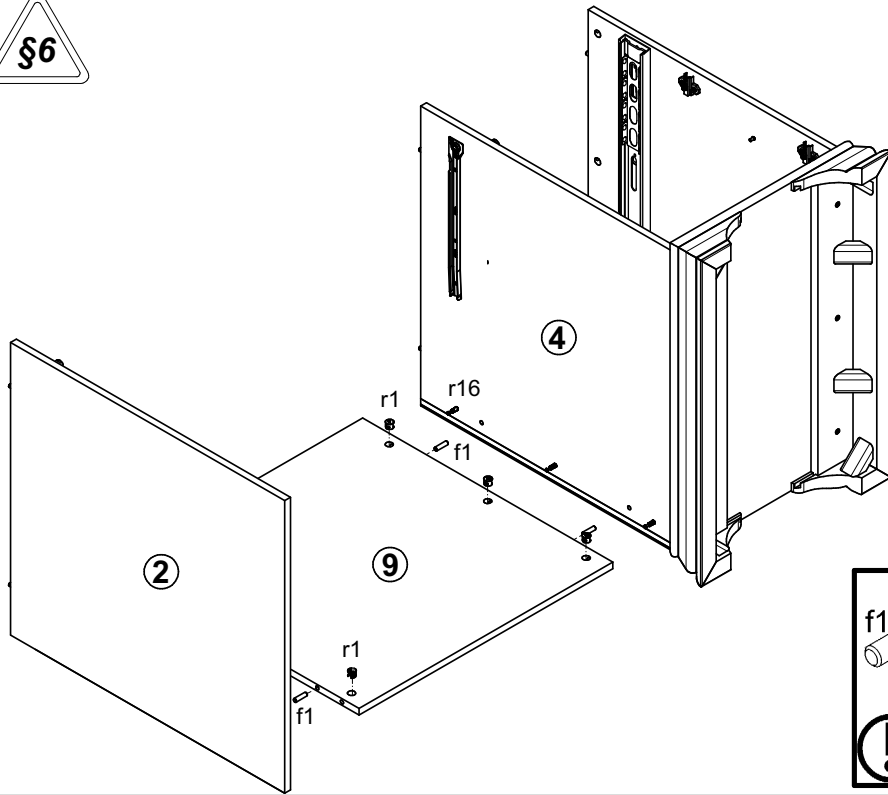
| A | B | C | D | A | B | C | D | | |
|---|------------|------|-----|-----|----|------------|-----|-----|-----|
| 1 | S320-0011N | 446 | 188 | 5/5 | 10 | S320-4405 | 650 | 452 | 5/5 |
| 2 | S320-191N | 747 | 660 | 1/5 | 11 | S320-515 | 736 | 180 | 4/6 |
| 3 | S320-112N | 650 | 660 | 1/5 | 12 | S320-909N | 377 | 498 | 3/5 |
| 4 | S320-116N | 650 | 660 | 1/5 | 13 | S320-565N | 500 | 120 | 3/5 |
| 5 | S320-211 | 464 | 704 | 3/5 | 14 | S320-566N | 500 | 120 | 3/5 |
| 6 | S320-2290N | 1164 | 738 | 2/5 | 15 | S320-5548N | 362 | 120 | 3/5 |
| 7 | S320-310 | 419 | 656 | 3/5 | 16 | S320-0030 | 450 | 446 | 5/5 |
| 8 | S320-311 | 631 | 420 | 3/5 | | | | | |
| 9 | S320-786 | 656 | 600 | 1/5 | | | | | |



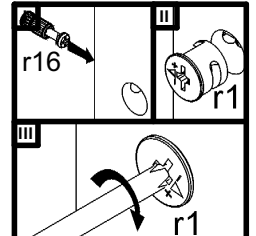
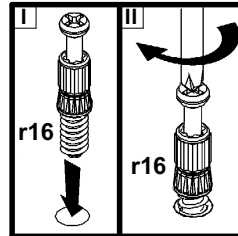
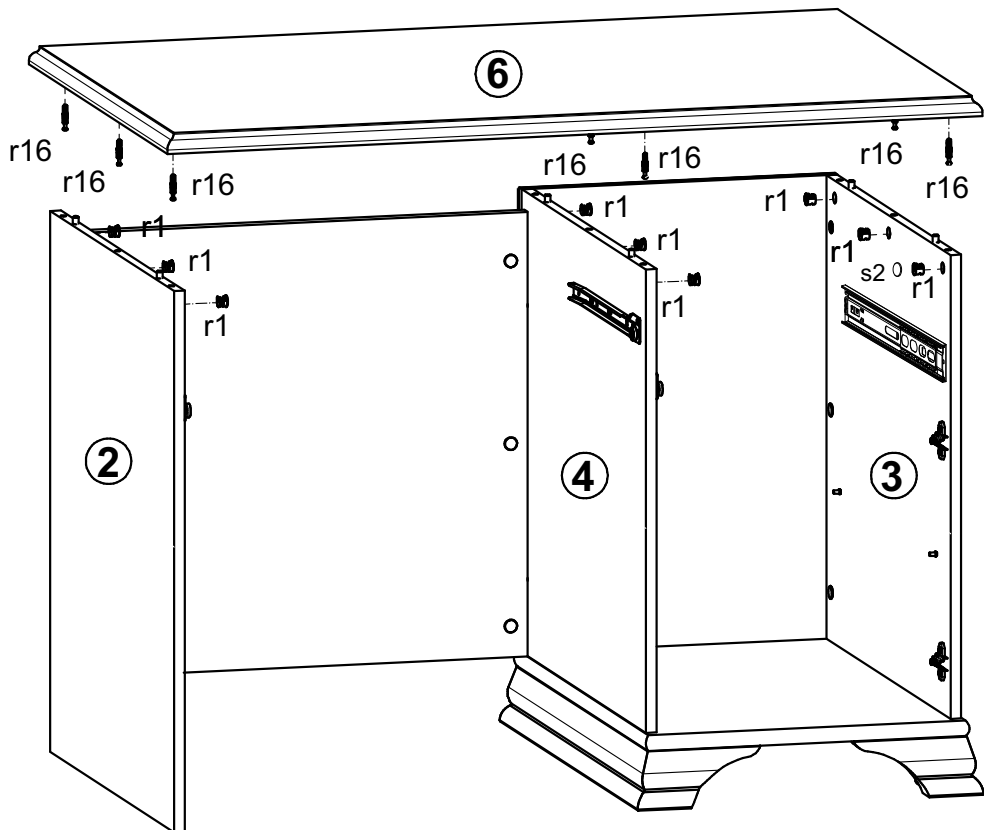
| | | | | | | | | |
|-------------------------|--------------------------|------------------------|-------------------------|------------------------|------------------------|-------------------------|----------------------------|-----------------------|
| 2x a44 | 2x b19 | 2x c35\1 | 2x c35\2 | 4x d1 φ5x17 mm | 6x e8 φ7x60 mm | 12x e3 φ6x13 mm | 22x f1 φ8x30 mm | 6x e26 φ7x35 mm |
| 4x f25 φ6.5x40 mm | 8x p140 φ3.5x12 mm | 4x e2 φ6.5x13 mm | 4x p27 φ3.5x13 mm | 27x r16 | 25x s2 ø16 | 1x j59 M4x18 mm | 1x j6 M4x30 mm | 1x z1 |
| 2x w210\1 500 mm | 2x w210\2 500 mm | 1x w45\CL 350 mm | 1x w45\CR 350 mm | 1x w45\DL 350 mm | 1x w45\DR 350 mm | 4x p51 φ3.5x15 mm | 27x r1 φ1.5x12mm #16 | 2x k1 |



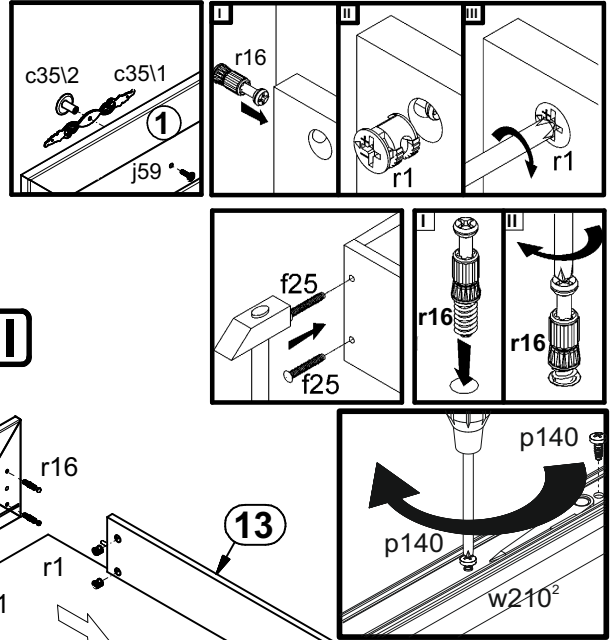
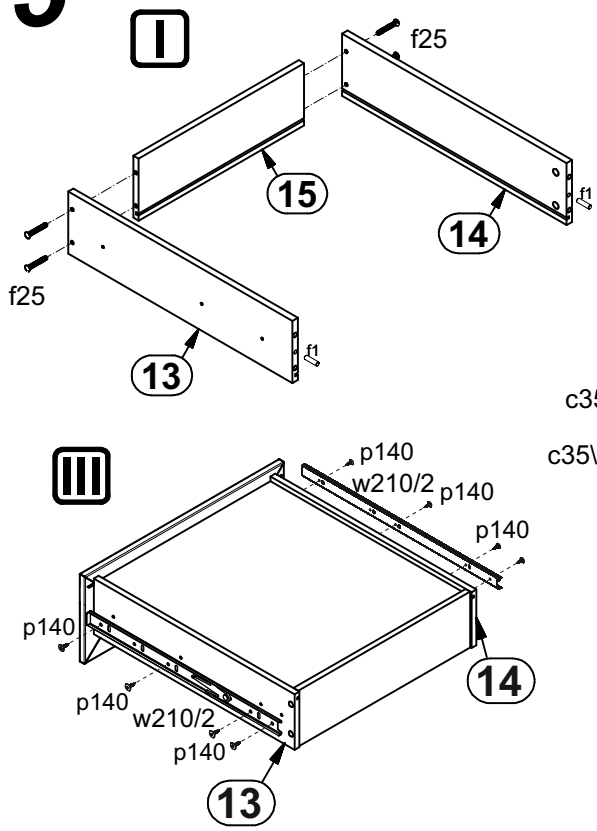
3



4



5



6

