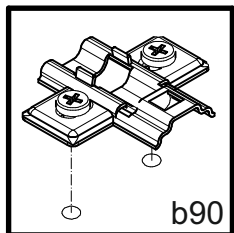
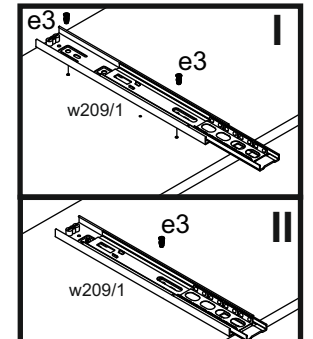
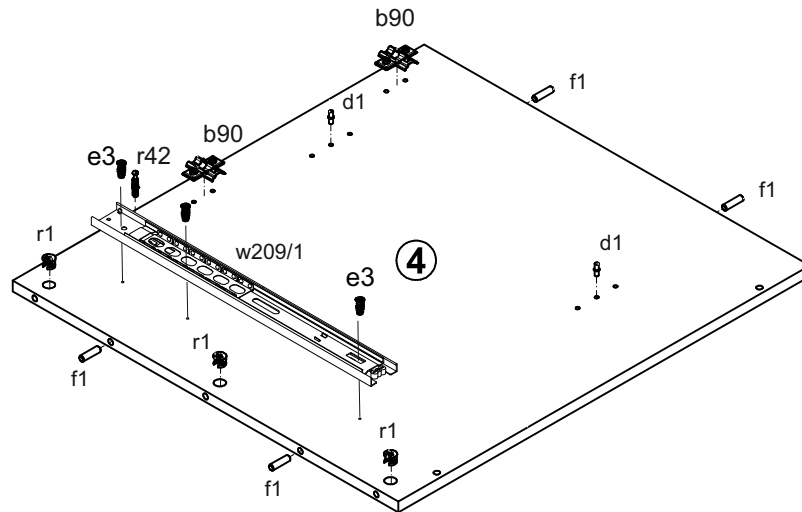
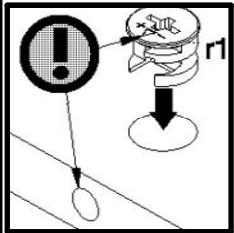
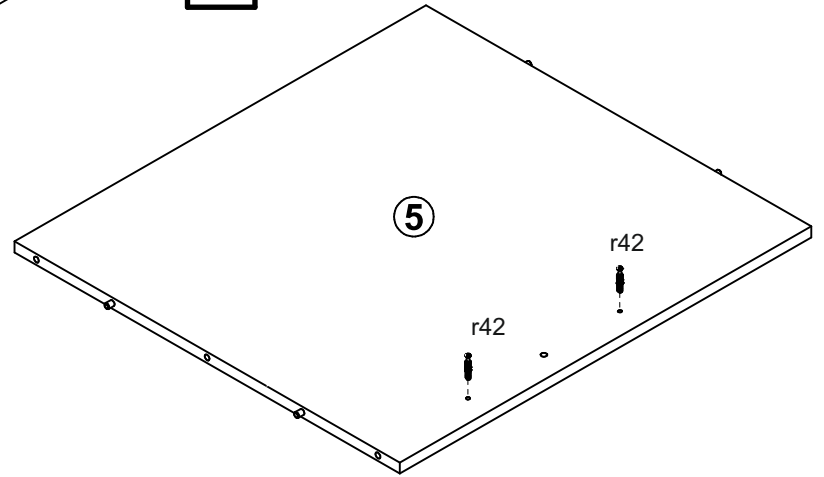
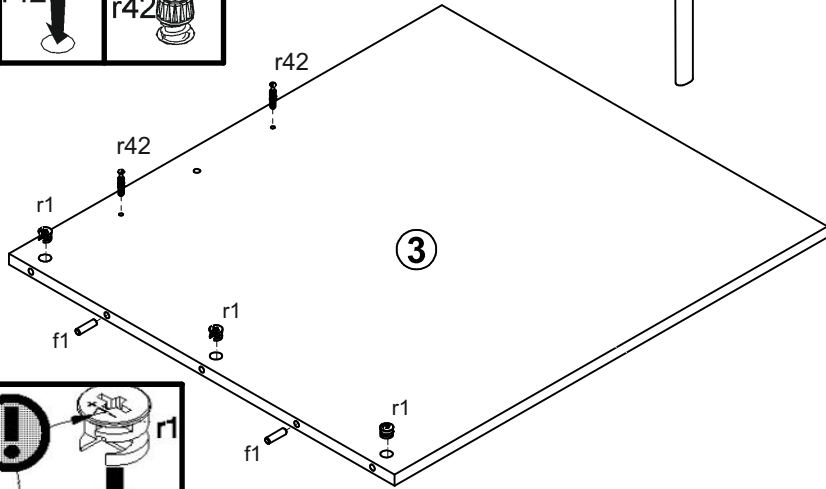
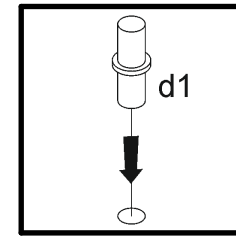
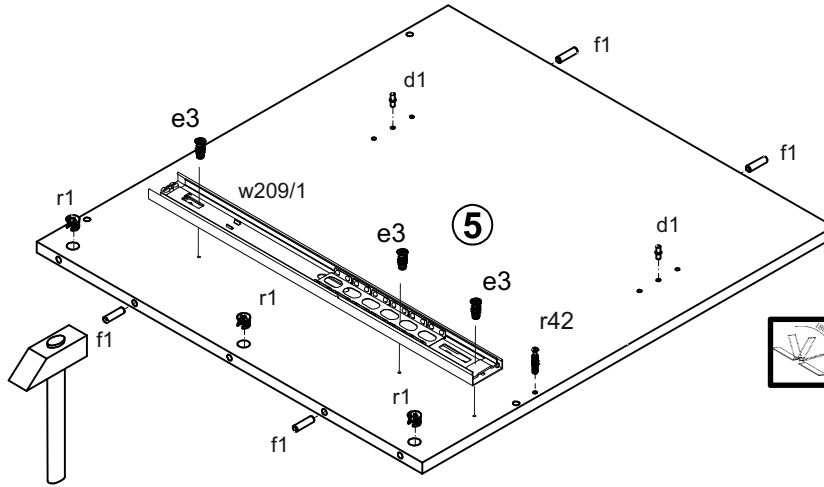
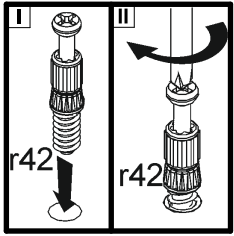
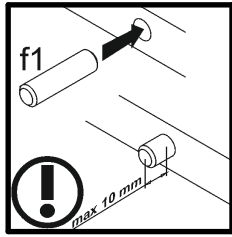


A	B	C (mm)		D
1	S205-0049	200	396	2/2
2	S205-050	525	396	2/2
3	S205-175	730	650	1/2
4	S205-1176	694	650	1/2
5	S205-1177	694	650	1/2
6	S205-239	1200	650	1/2
7	S205-240	401	650	1/2
8	S205-334	367	627	1/2
9	S205-416	694	368	1/2
10	S205-417	783	320	1/2
11	S205-590	368	70	2/2
12	S205-9993	320	450	1/2
13	S205-5530	450	105	1/2
14	S205-5531	450	105	1/2
15	S205-5532	310	105	1/2

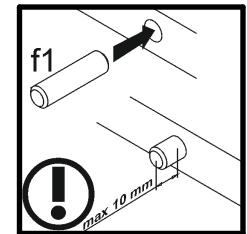
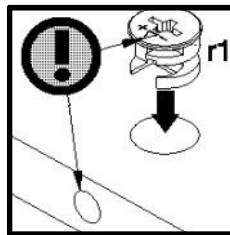
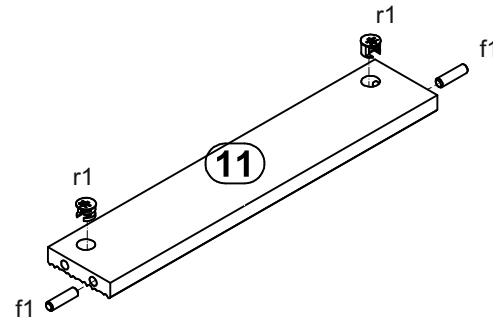
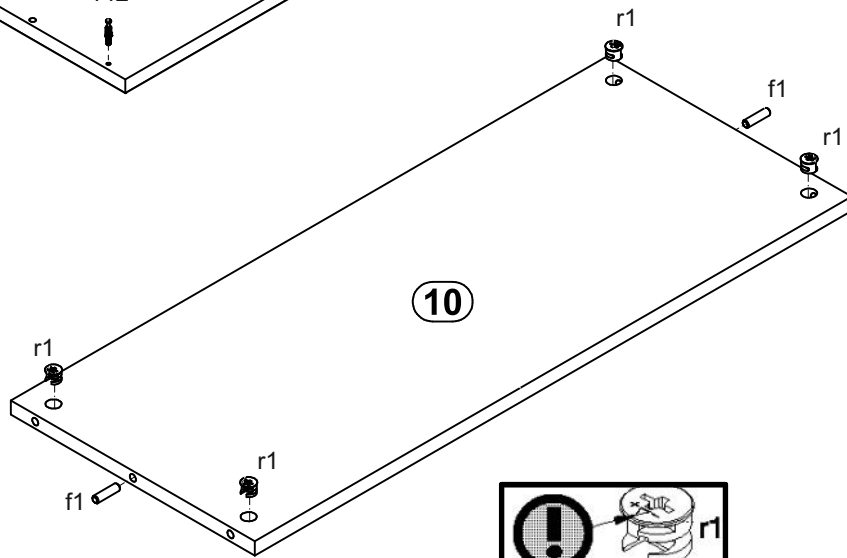
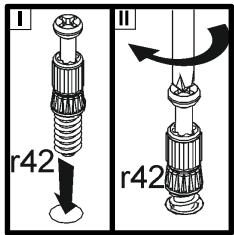
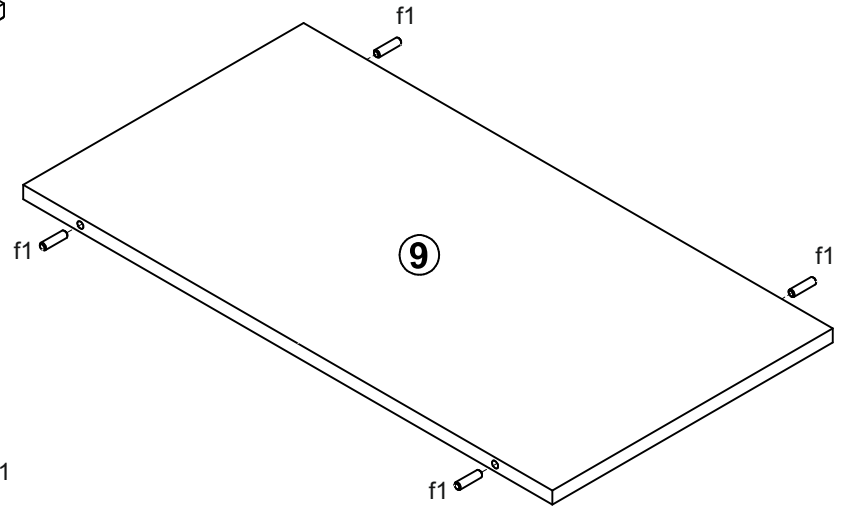
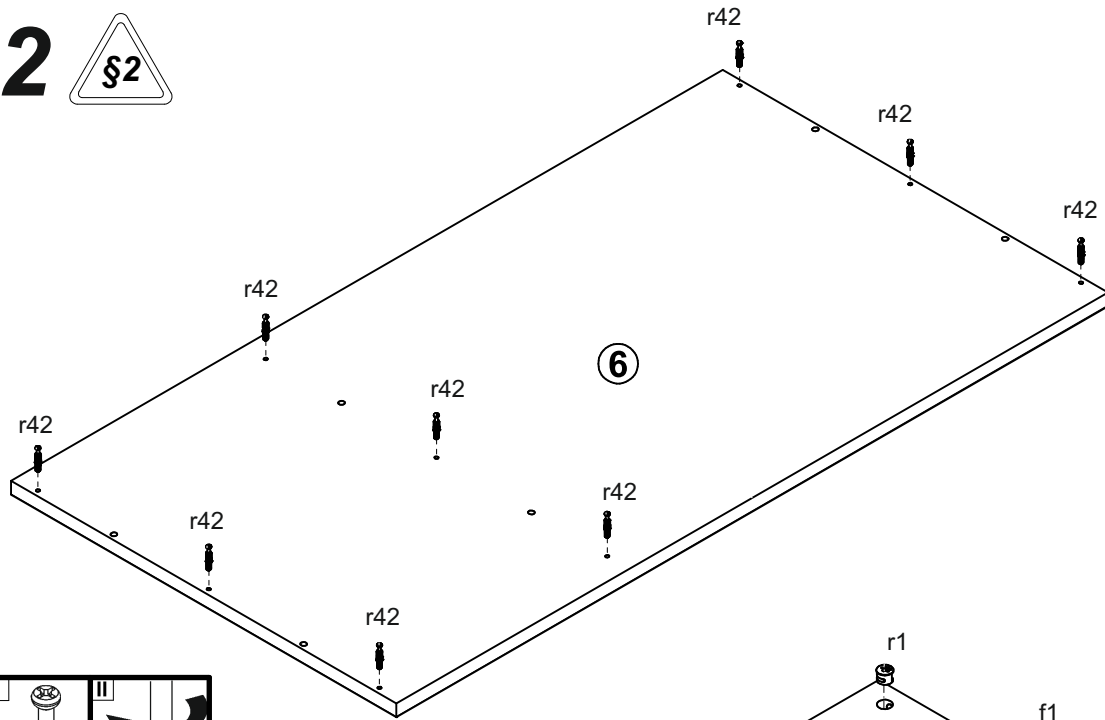


2x a204	2x b90	4x φ5x17 mm d1	10x φ7x50 mm e1	6x φ6x13 mm e3	20x φ8x30 mm f1	6x φ3,5x12 mm p140	2x k1	2x k84	2x k85	10x φ3,5x16 mm p38	4x φ4x35 mm p6	4x φ3,5x15 mm p51
19x φ15x12 mm r1	19x r42	2x 450 mm w209/1	2x 450 mm w209/2	7x φ16 s2	1x z1							

1 

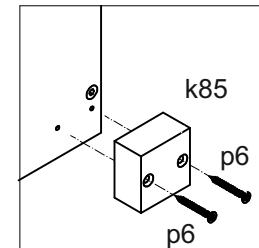
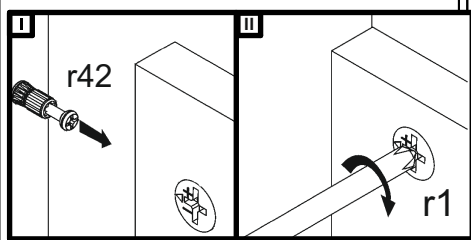
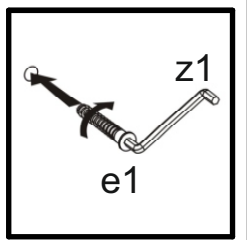
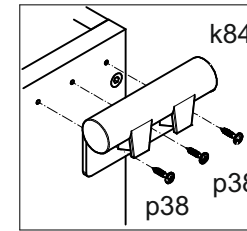
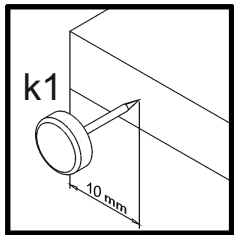
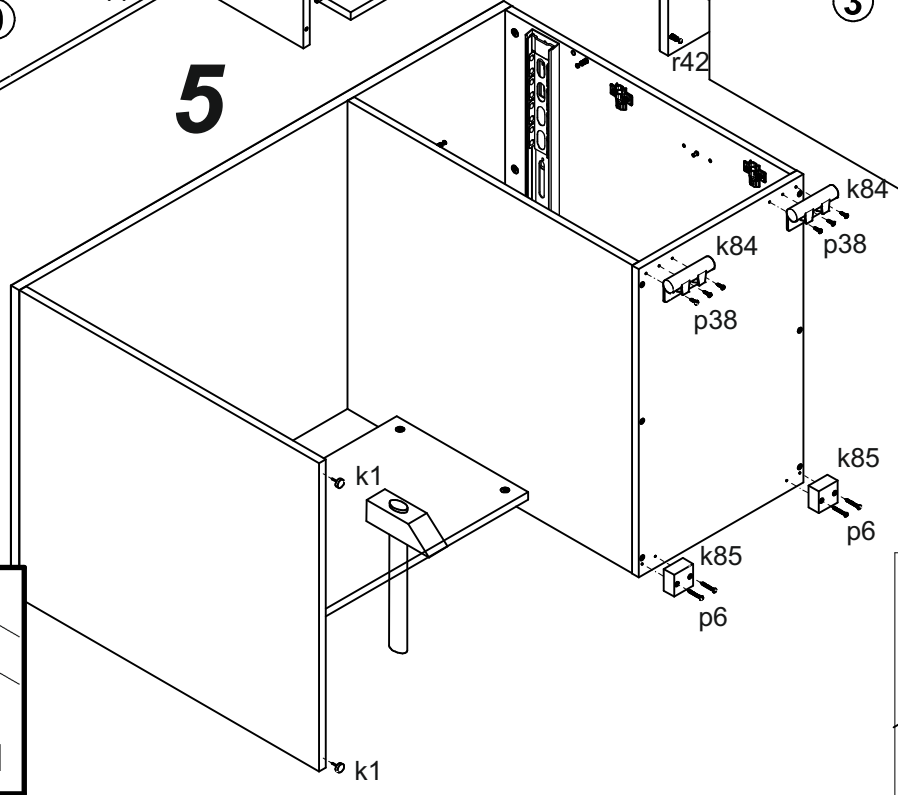
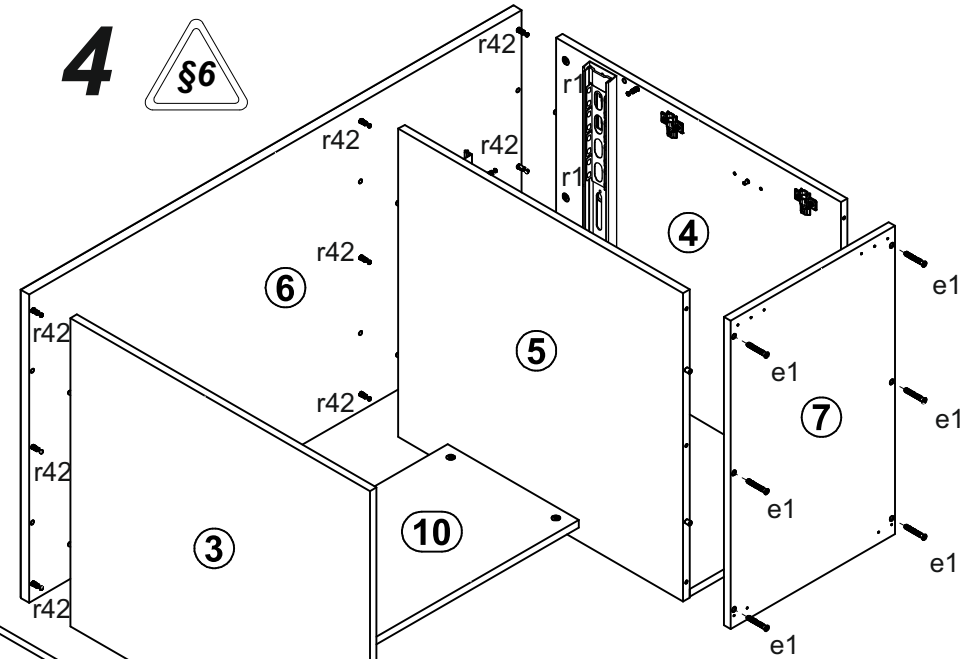
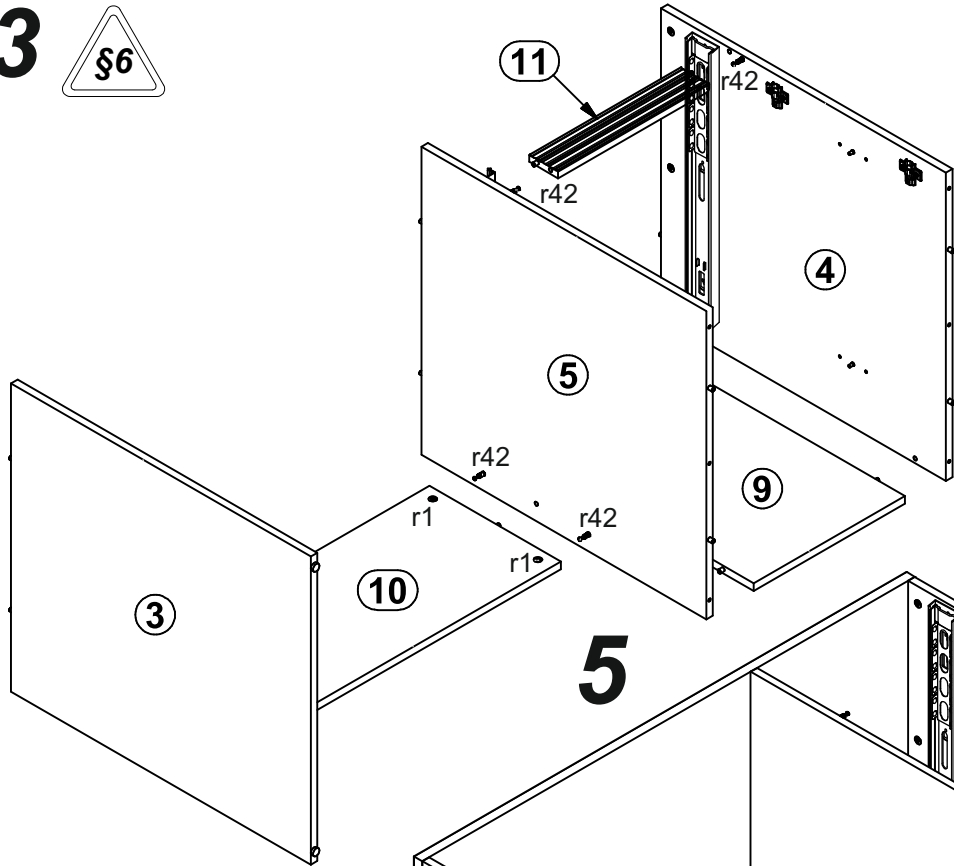


2 



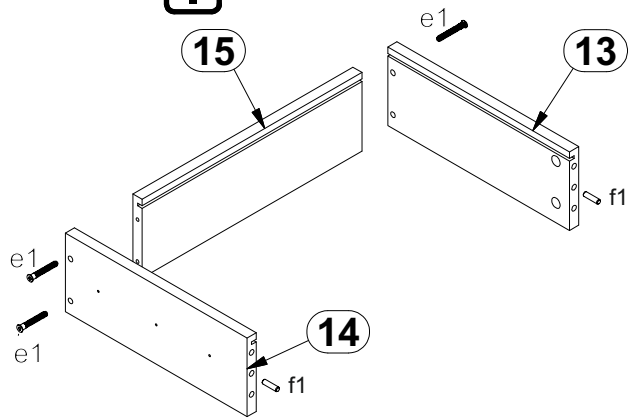
3 

4 

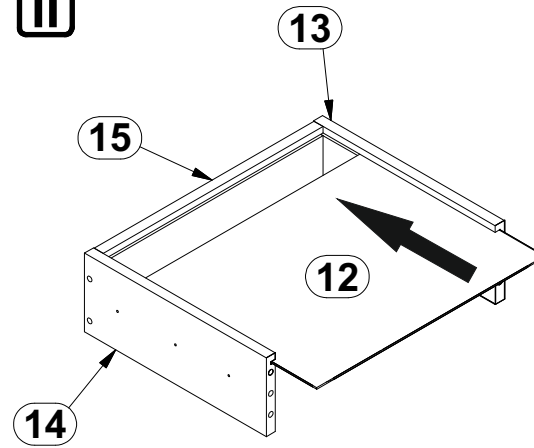


6

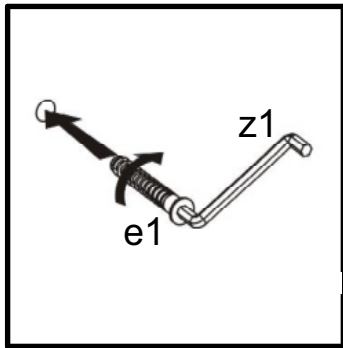
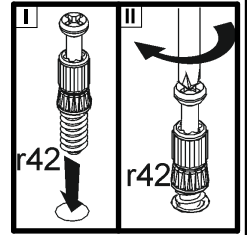
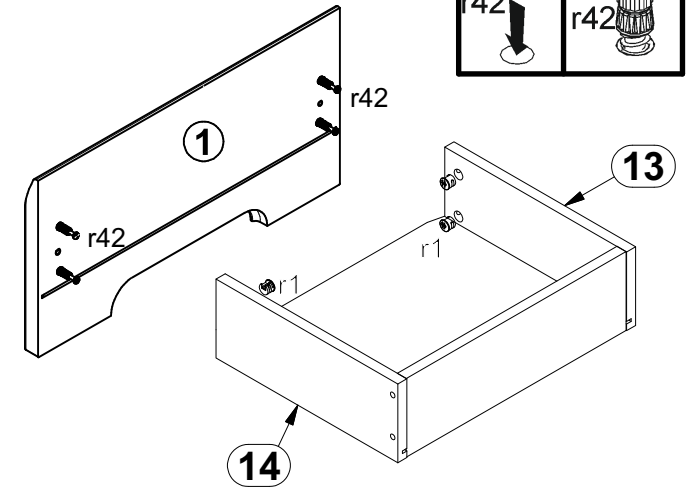
I



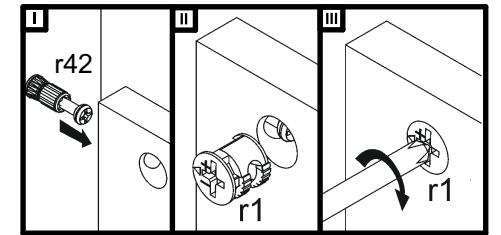
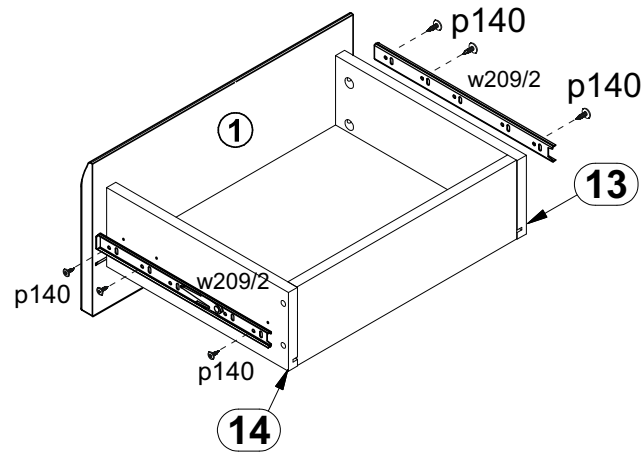
II



III



IV



7

