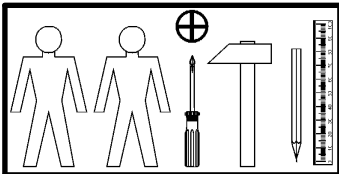
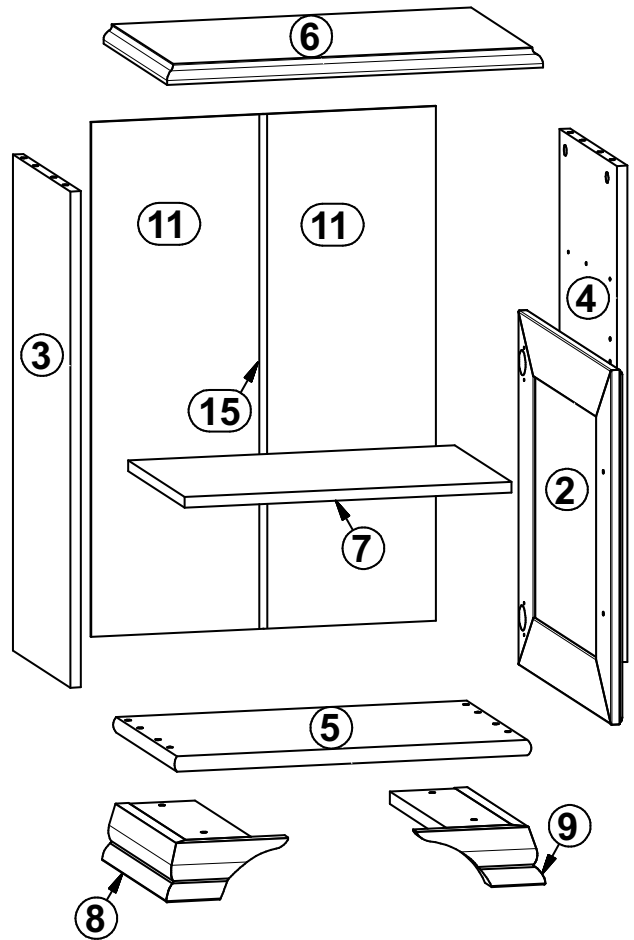
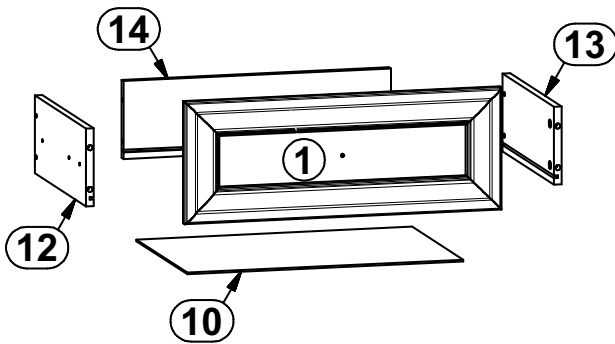
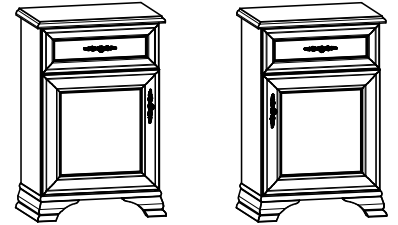


# S320-KOM1D1S L/P

A	B	C	D	
1	S320-0016N	496	188	4/4
2	S320-0015A	500	496	4/4
3	S320-124N	700	307	1/4
4	S320-125N	700	307	1/4
5	S320-218	512	329	2/4
6	S320-2219N	540	340	2/4
7	S320-314	467	303	2/4
8	S320-523	345	180	3/4
9	S320-524	345	180	3/4
10	S320-915N	425	298	1/4
11	S320-1930	744	247	1/4
12	S320-571N	300	120	1/4
13	S320-572N	300	120	1/4
14	S320-5545N	410	120	1/4
15	Lh-694	694	14	1/4

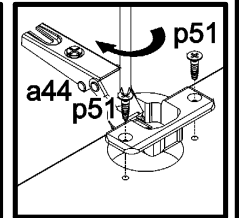
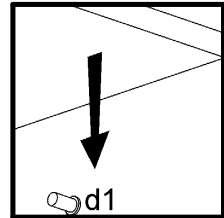
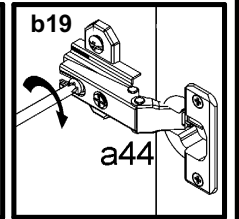
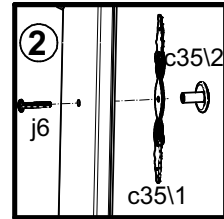
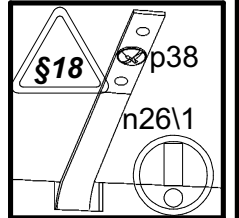
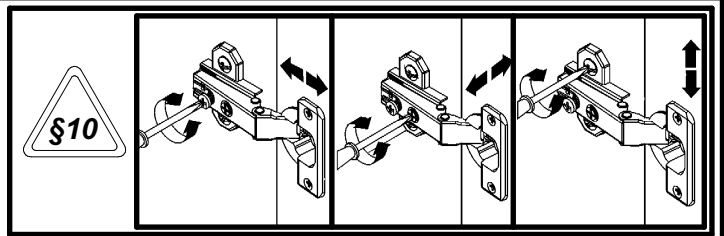
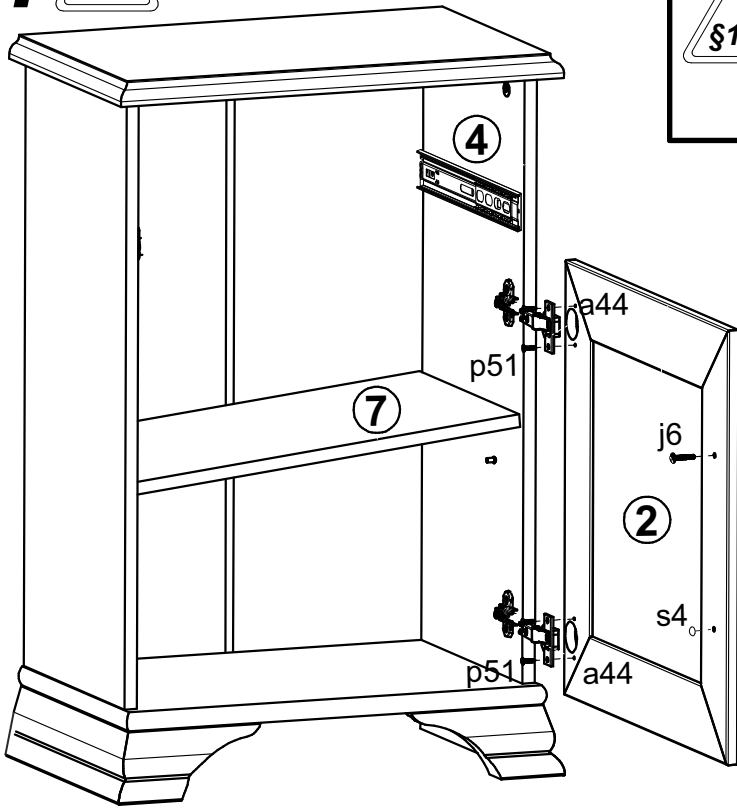


2x  a44	2x  b19	2x  c351	2x  c352	4x  φ5x17 mm d1	4x  φ7x60 mm e8	6x  φ6x13 mm e3	10x  φ8x30 mm f1
4x  φ6,5x40 mm f25	1x  M4x18 mm j59	1x  M4x30 mm j6	25x  l1	8x  r42	2x  300 mm w206/1	2x  300 mm w206/2	6x  φ3,5x12 mm p140
1x  n261	1x  z1	4x  φ3,5x15 mm p51	8x  φ1,5x12mm #16 r1	6x  ø16 s2	5x  s4	4x  φ6,3x13 mm e2	4x  φ7x35 mm e26
1x  φ3,5x16 mm p38	1x  φ5x60 mm p17	1x  φ10x50 mm f35					



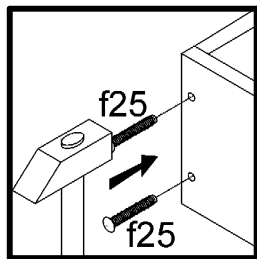
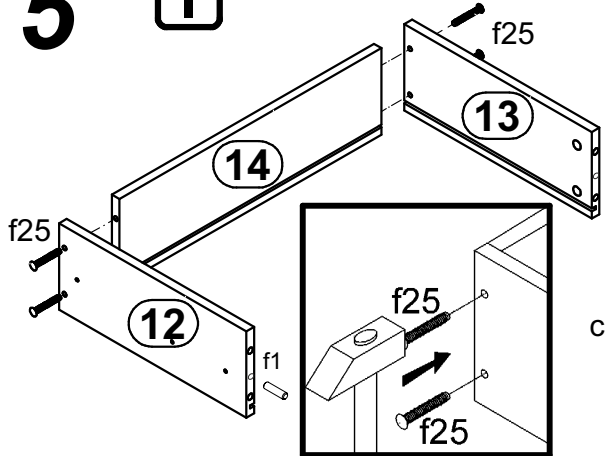
# 4

§19

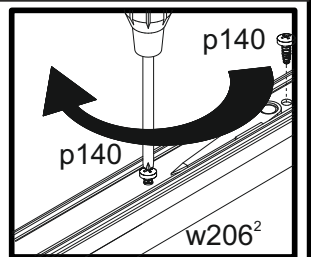
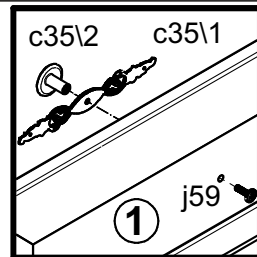
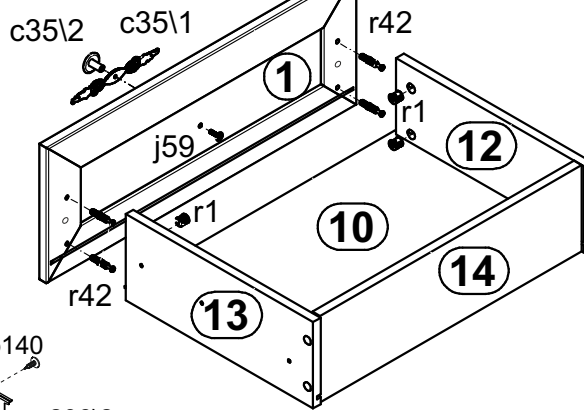


# 5

I



II



III

