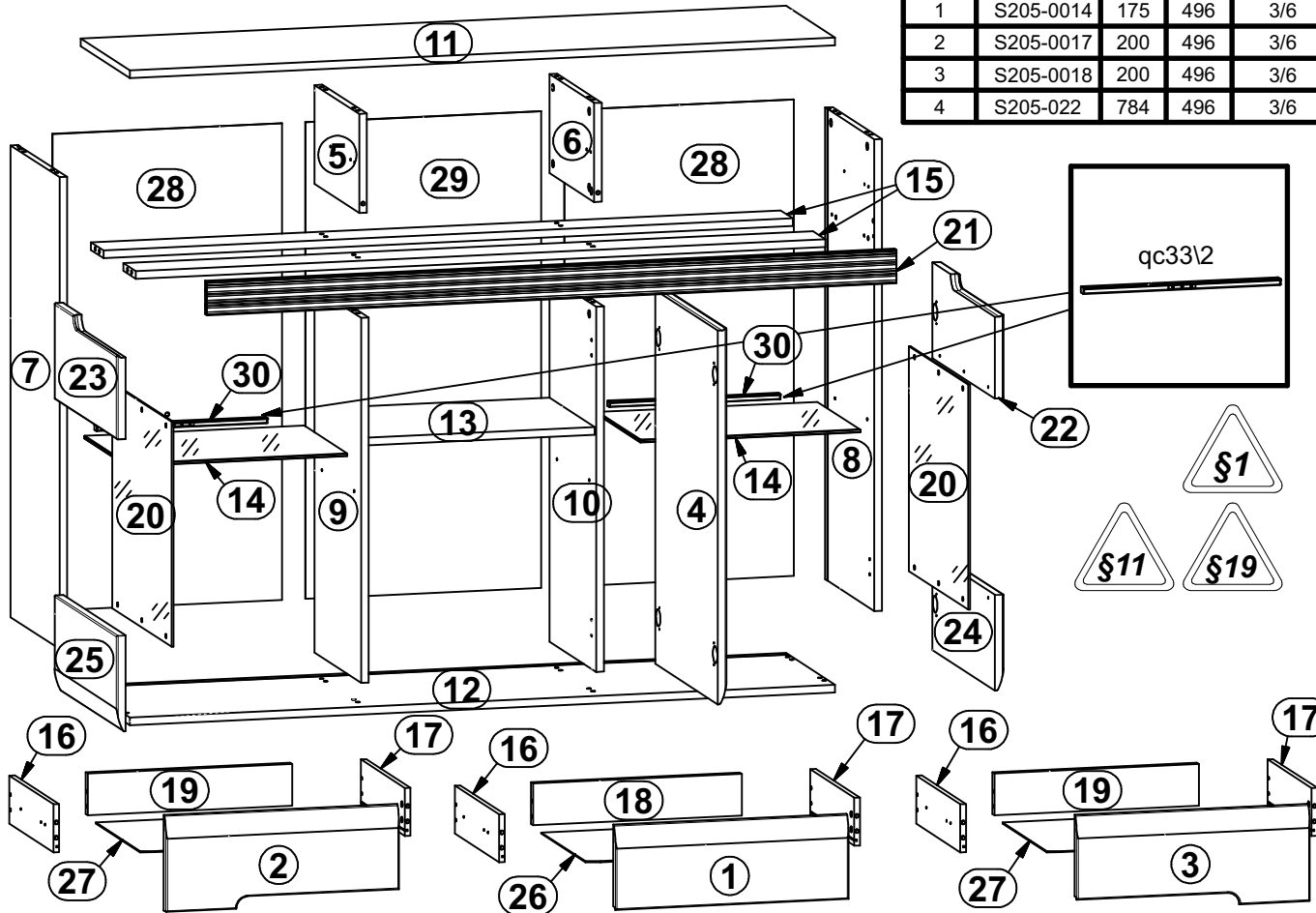


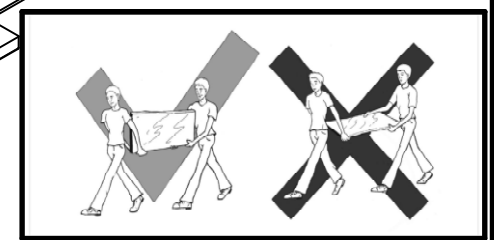
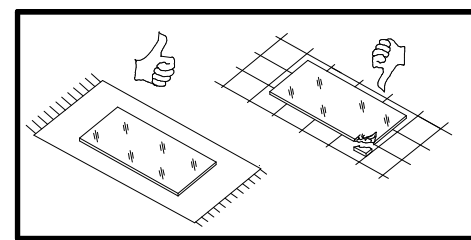
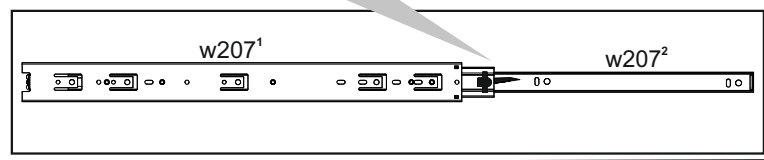
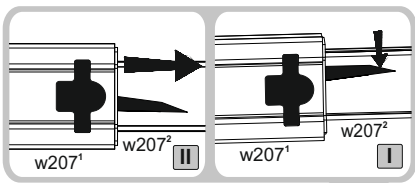
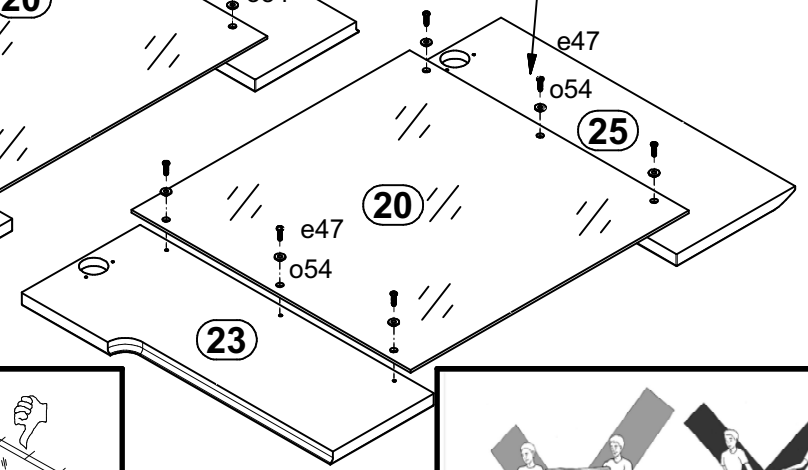
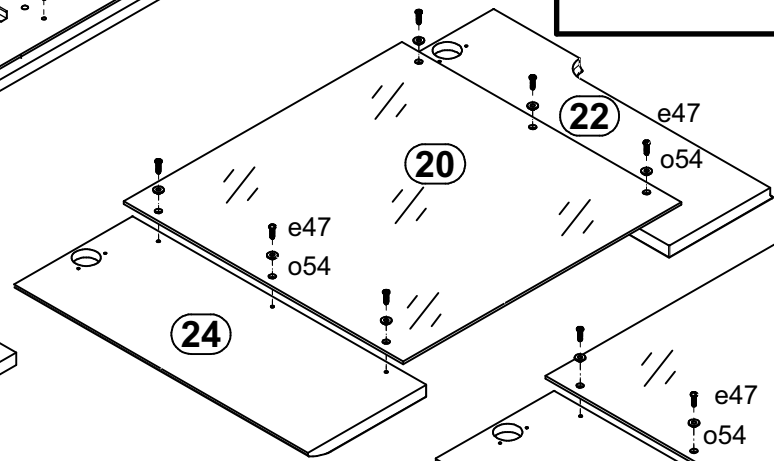
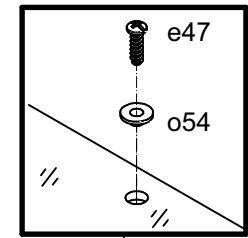
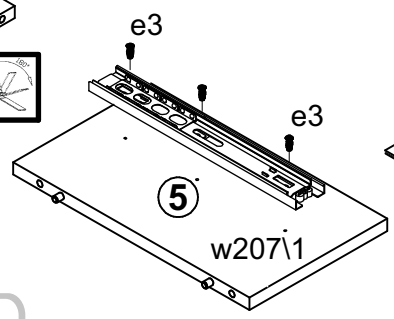
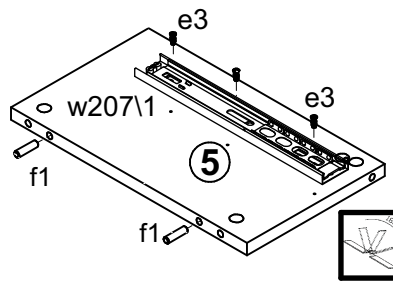
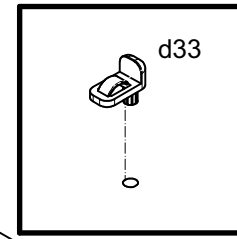
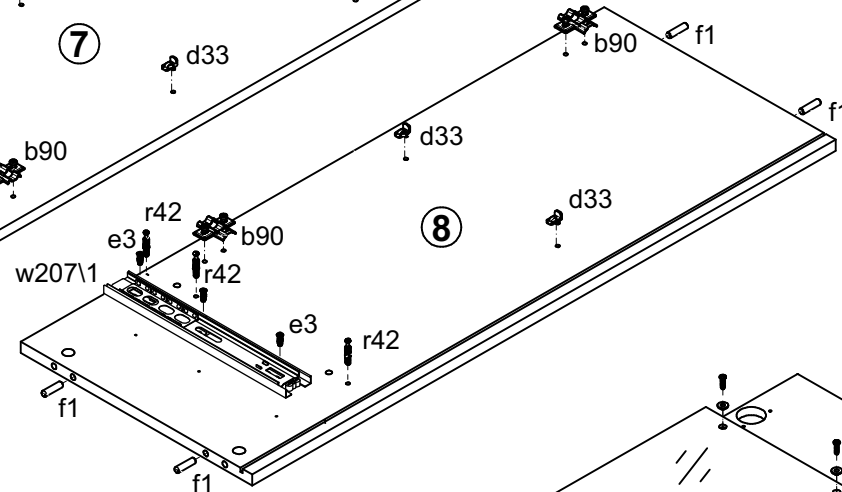
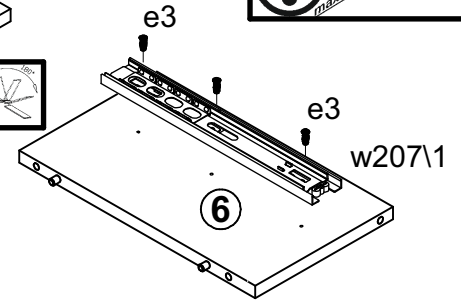
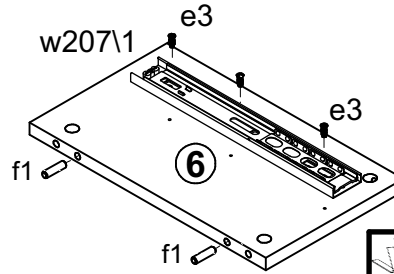
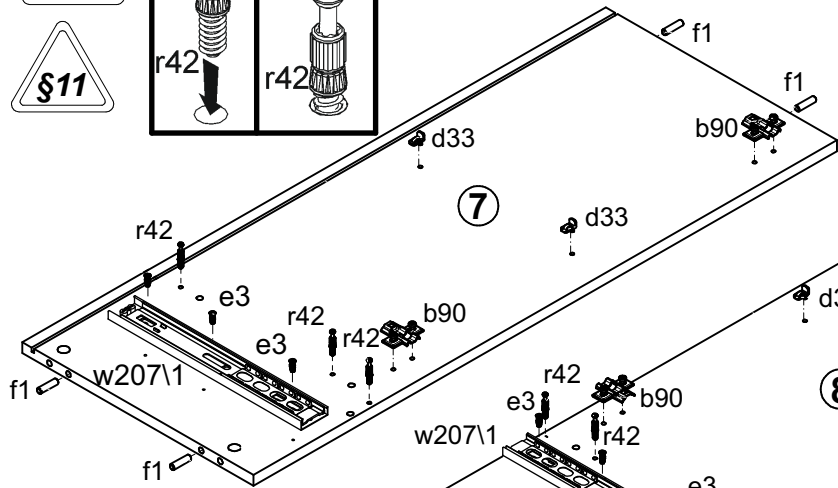
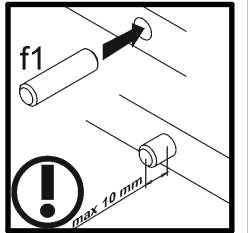
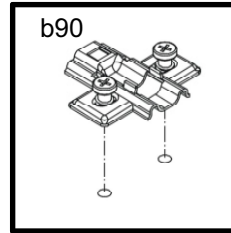
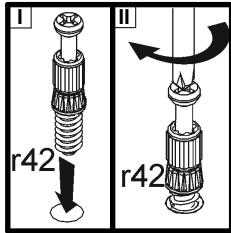
120 min



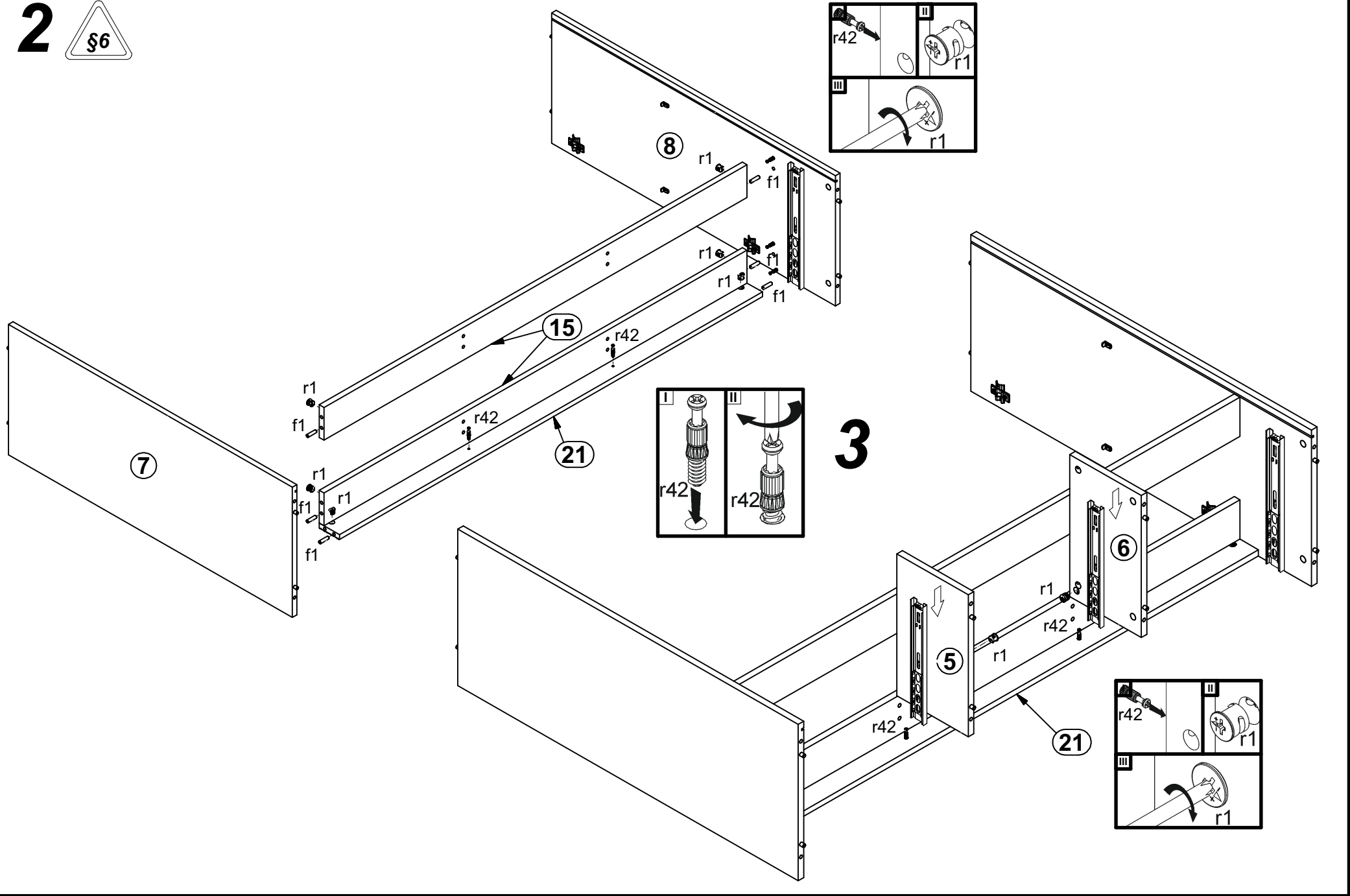
A	B	C (mm)		D	A	B	C (mm)		D
1	S205-0014	175	496	3/6	5	S205-1123	206	354	2/6
2	S205-0017	200	496	3/6	6	S205-1124	206	354	2/6
3	S205-0018	200	496	3/6	7	S205-1125	984	390	2/6
4	S205-022	784	496	3/6	8	S205-1126	984	390	2/6
9	S205-127	761	370	2/6	10	S205-128	761	370	2/6
11	S205-214	1500	390	1/6	12	S205-215	1500	390	1/6
13	S205-307	483	360	2/6	14	S205-308	469	340	4/6
15	S205-401	1467	98	1/6	16	S205-5501	350	105	1/6
17	S205-5502	350	105	1/6	18	S205-5507	444	105	1/6
19	S205-5508	435	105	1/6	20	S205-552	471	469	5/6
21	S205-573	1467	70	1/6	22	S205-703/A	200	496	3/6
23	S205-704	200	496	3/6	24	S205-705/A	200	496	3/6
25	S205-706	200	496	3/6	26	S205-9907	436	350	2/6
27	S205-9908	427	350	2/6	28	S205-911	994	488	2/6
29	S205-912	994	501	2/6	30	qc33/2			6/6



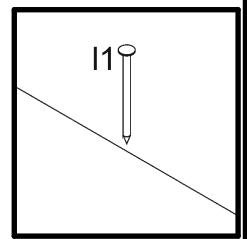
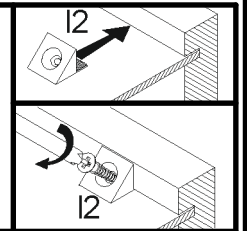
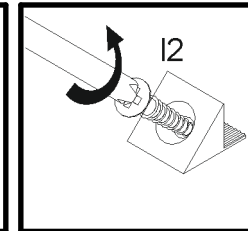
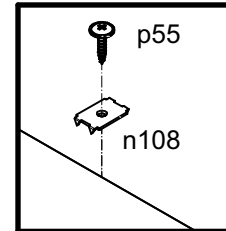
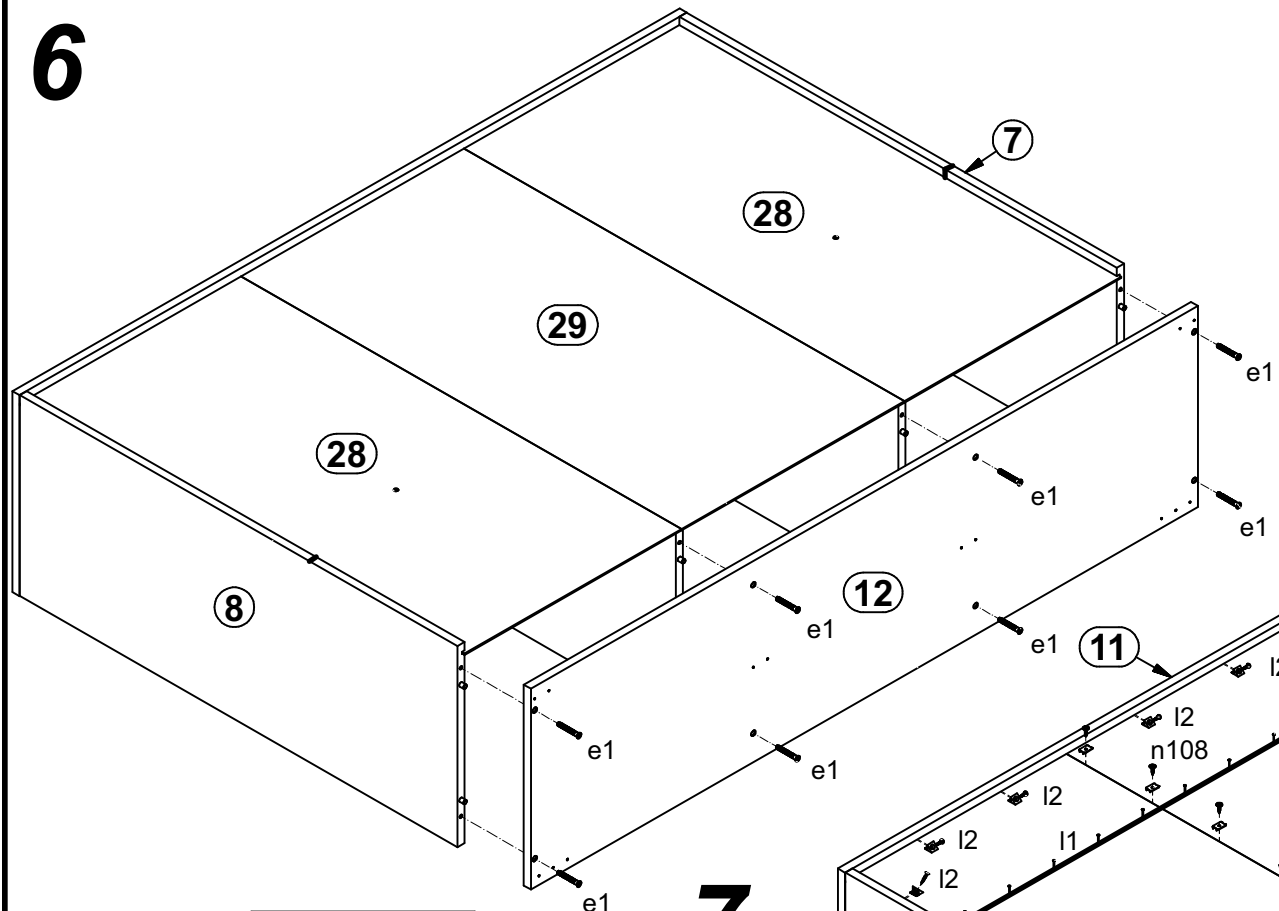
28x 	4x 	15x 	1x 	1x 	12x 	8x 	36x 	3x 	12x 	28x 	4x
18x 	2x 	4x 	16x 	4x 	20x 	14x 	12x 	6x 	7x 	8x 	20x
1x 	1x 	6x 	6x 	14x 	4x 	2x 	4x 	4x 	4x 	2x 	2x



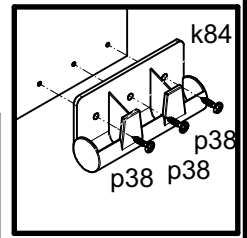
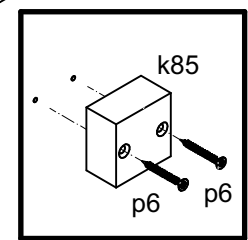
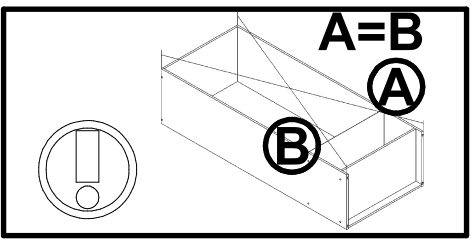
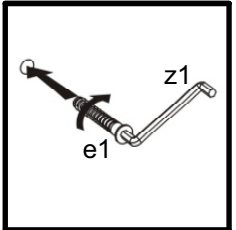
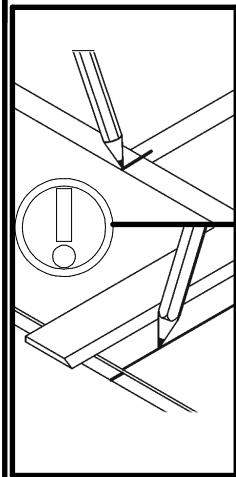
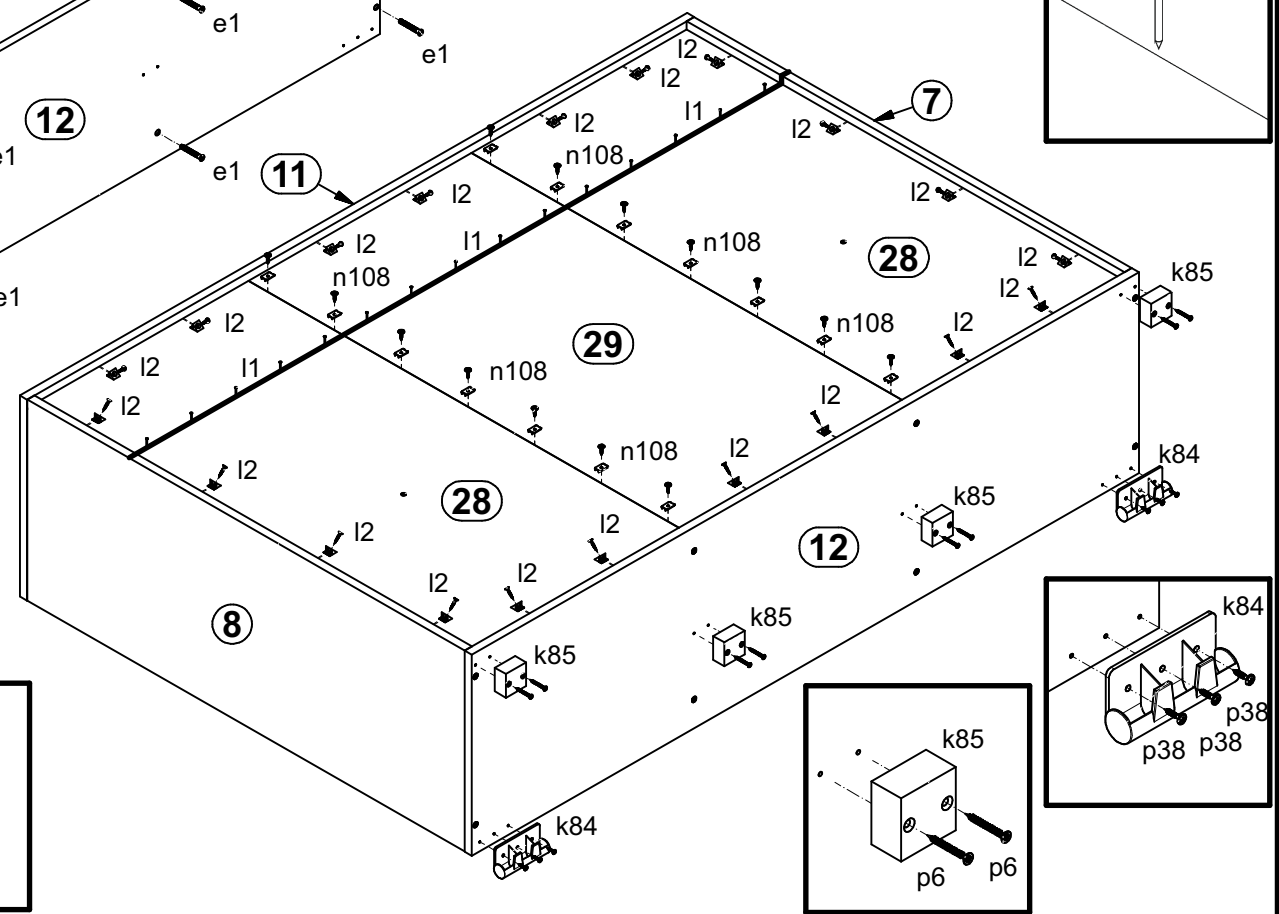
2 



6

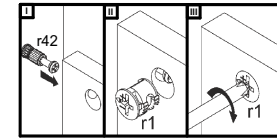
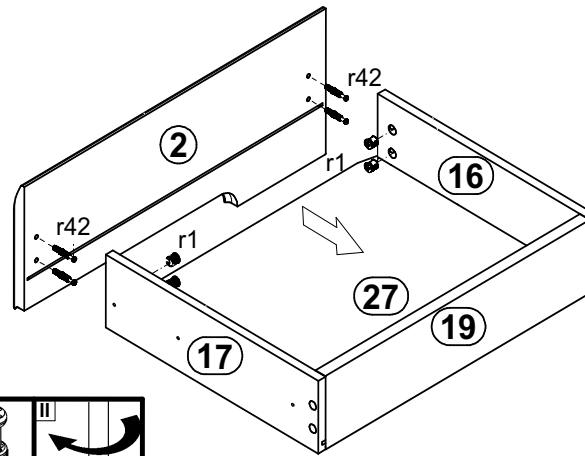
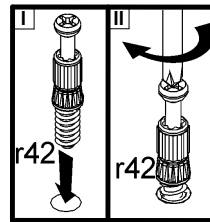
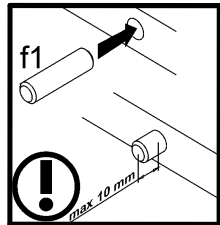
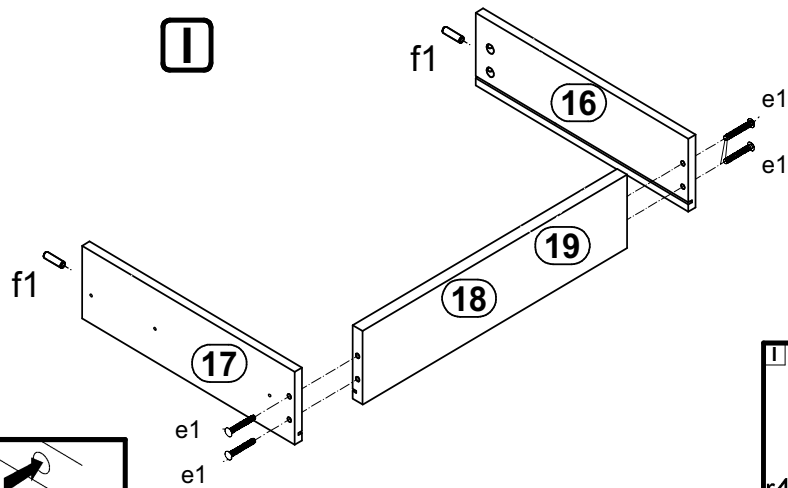


7

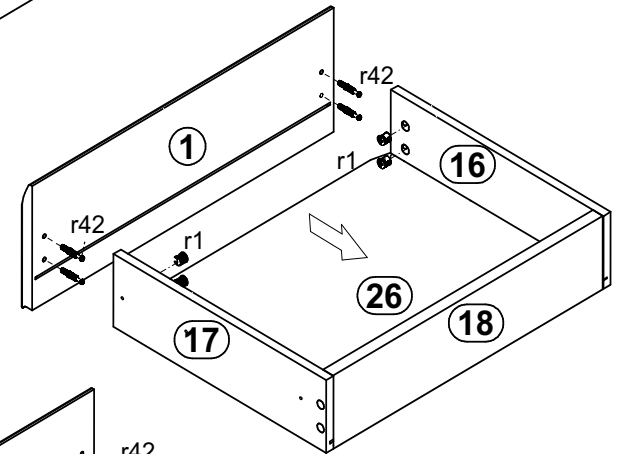


8

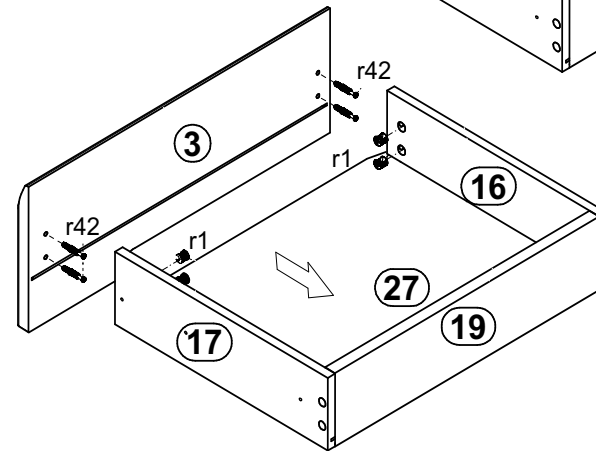
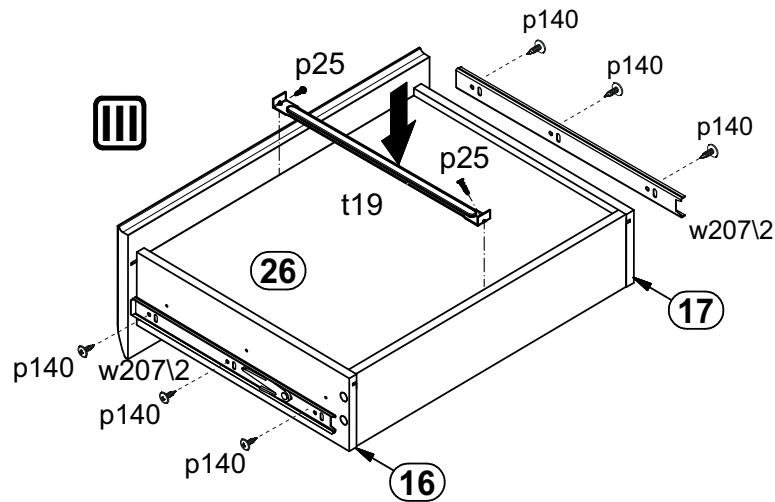
I



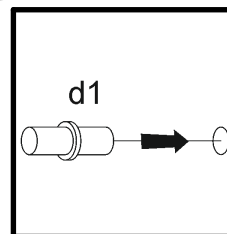
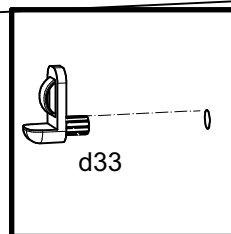
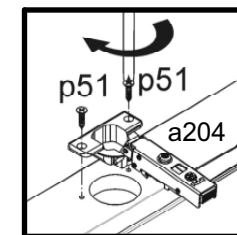
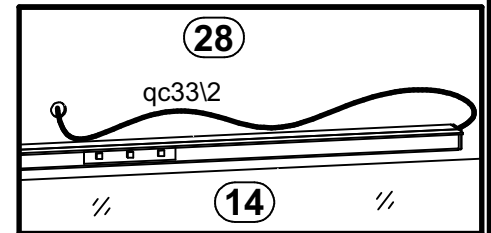
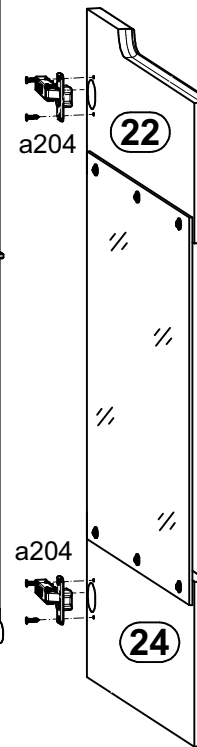
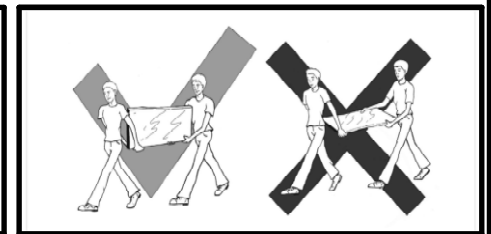
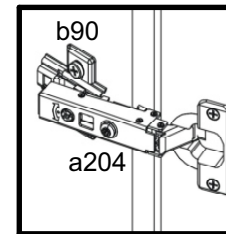
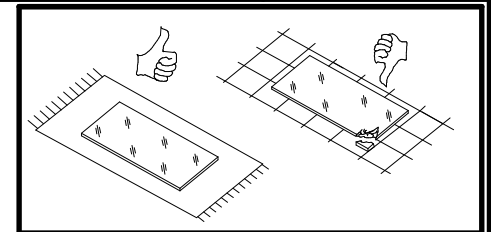
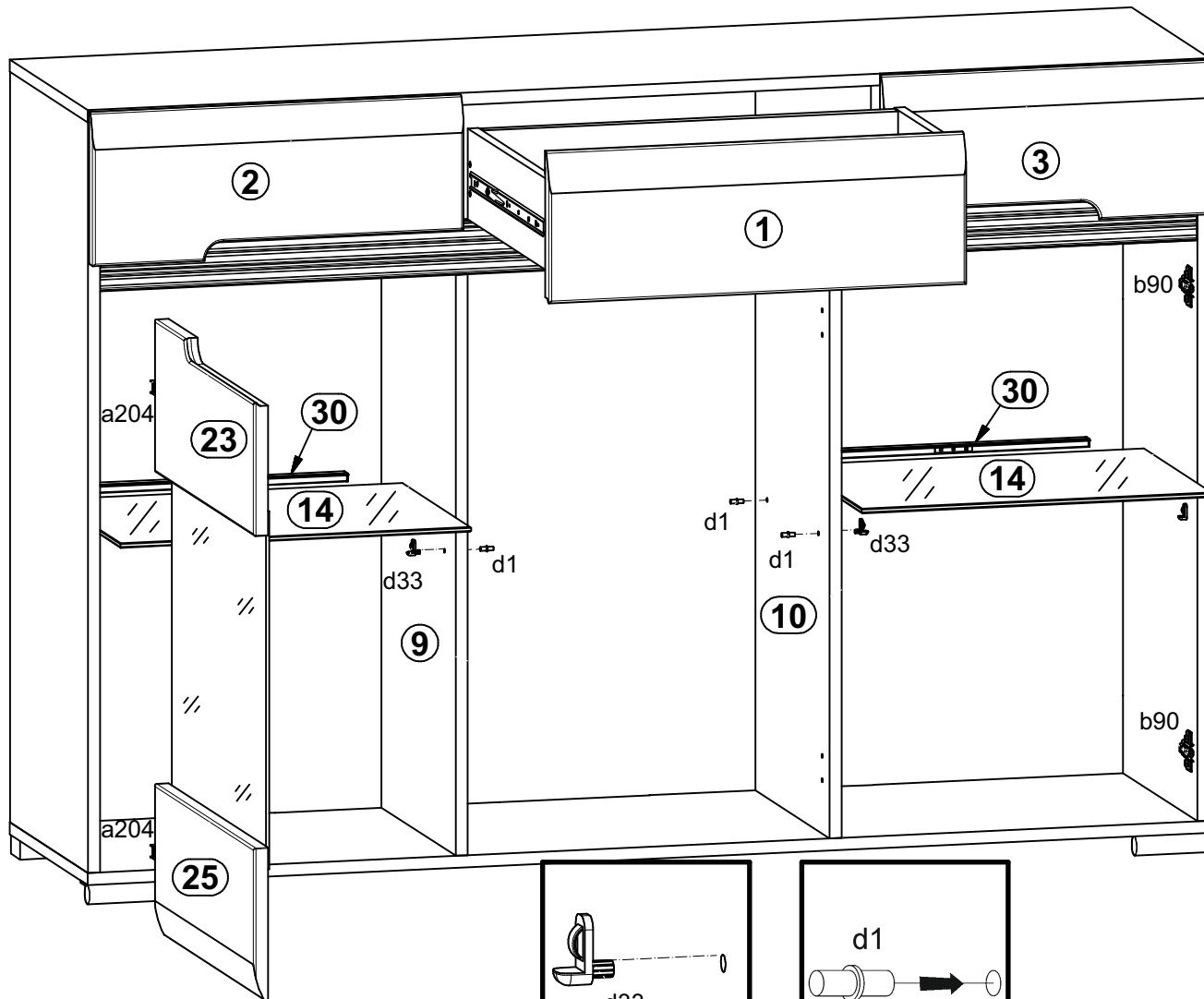
II



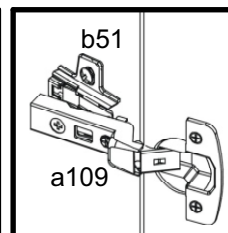
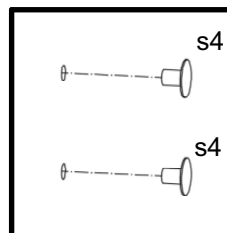
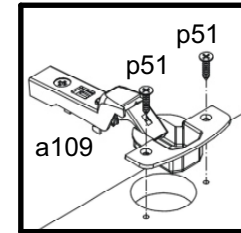
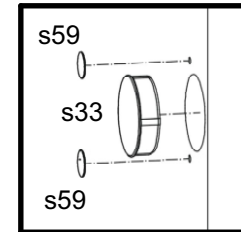
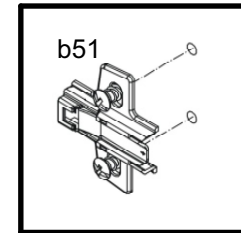
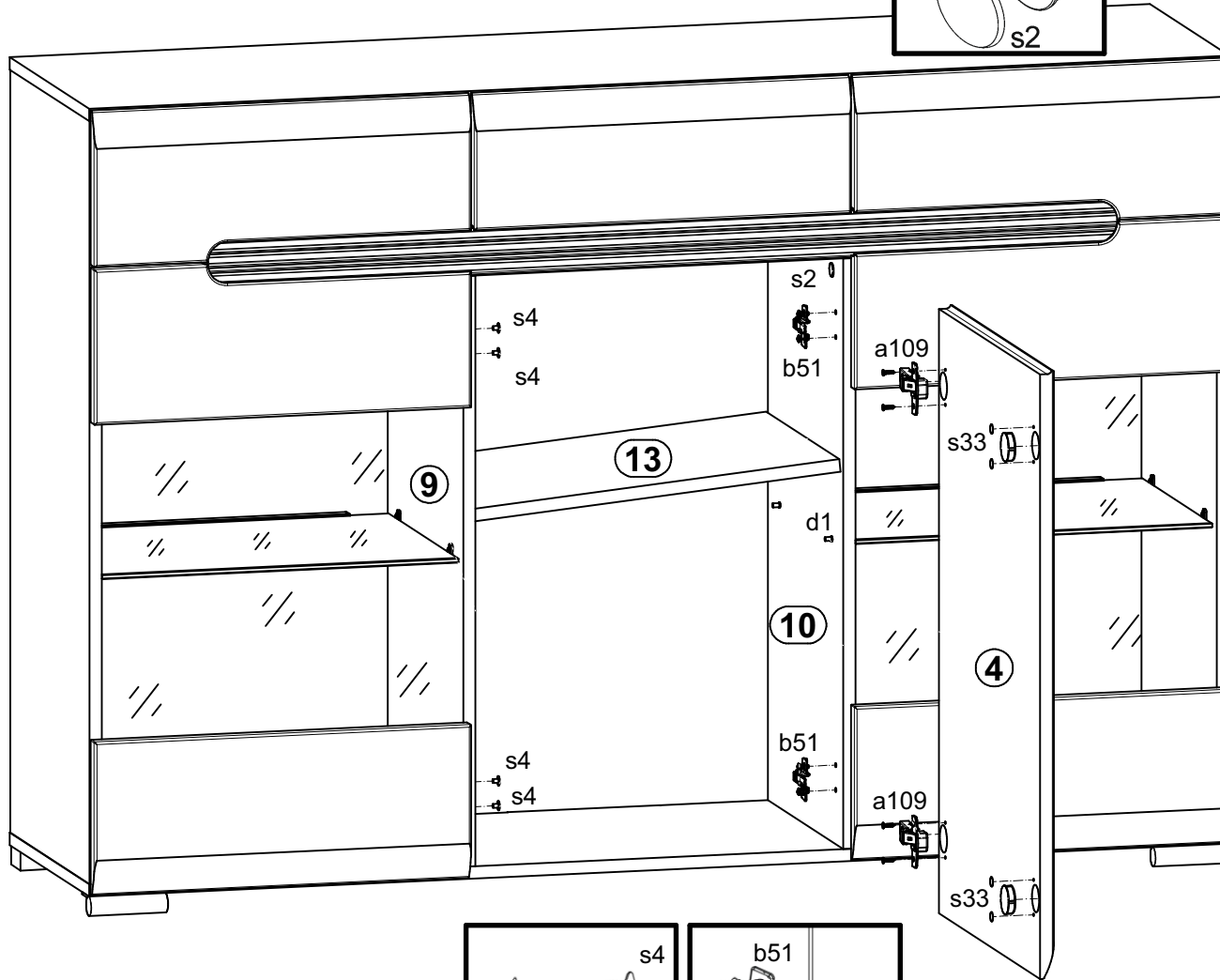
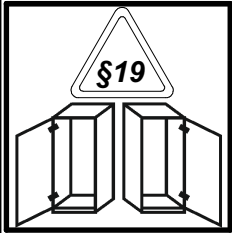
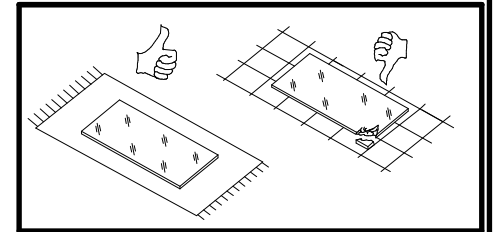
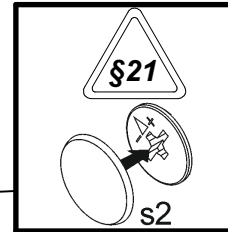
III



9 §11



10



11

