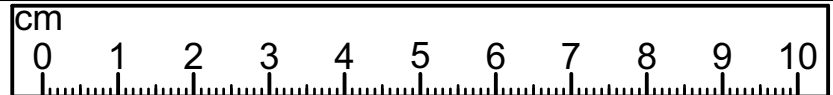
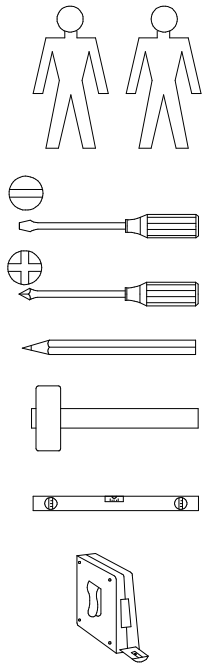
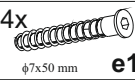

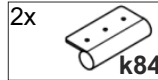
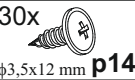

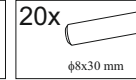
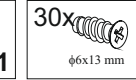
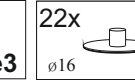
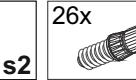
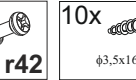
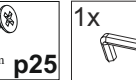
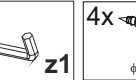

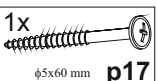
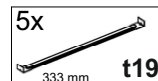

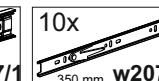
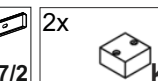
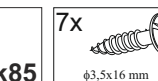

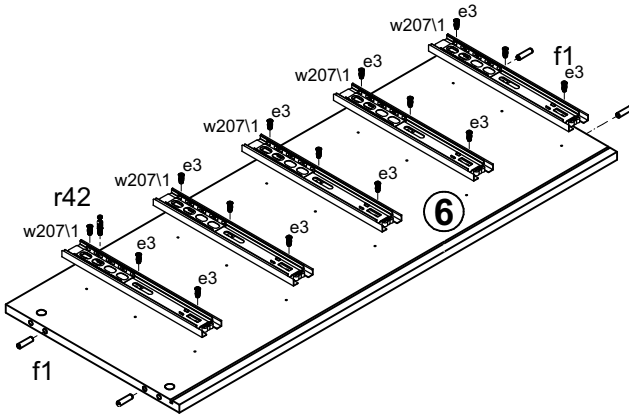
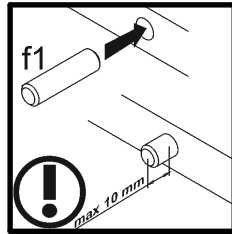
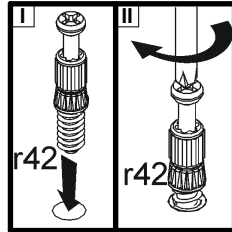
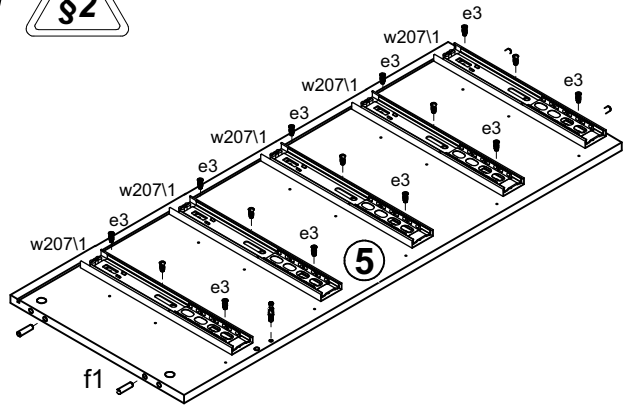


A	B	C (mm)	D	
1	S205-0005	200	596	2/2
2	S205-0006	200	596	2/2
3	S205-0007	200	596	2/2
4	S205-0008	200	596	2/2
5	S205-1103	984	390	1/2
6	S205-1104	984	390	1/2
7	S205-203	600	390	1/2
8	S205-204	600	390	1/2
9	S205-5501	350	105	1/2
10	S205-5502	350	105	1/2
11	S205-5504	509	105	1/2
12	S205-572	567	70	1/2
13	S205-9902	519	350	1/2
14	S205-952	994	288	1/2
15	Lh-980	980	14	1/2

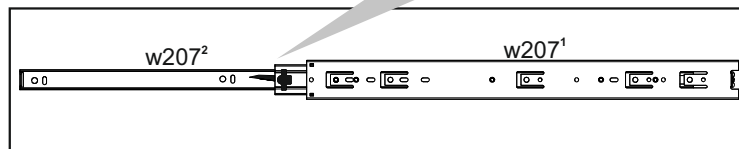
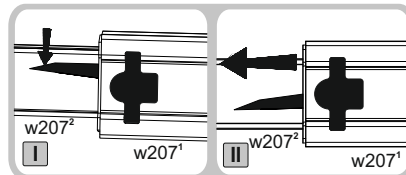
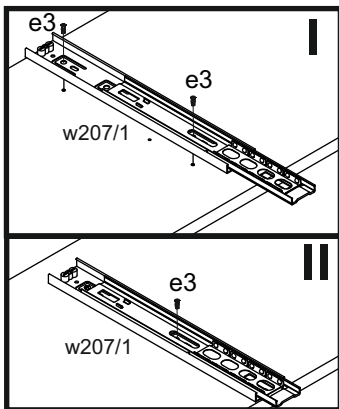
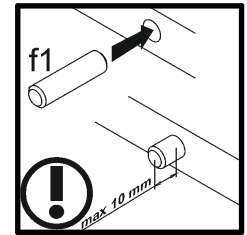
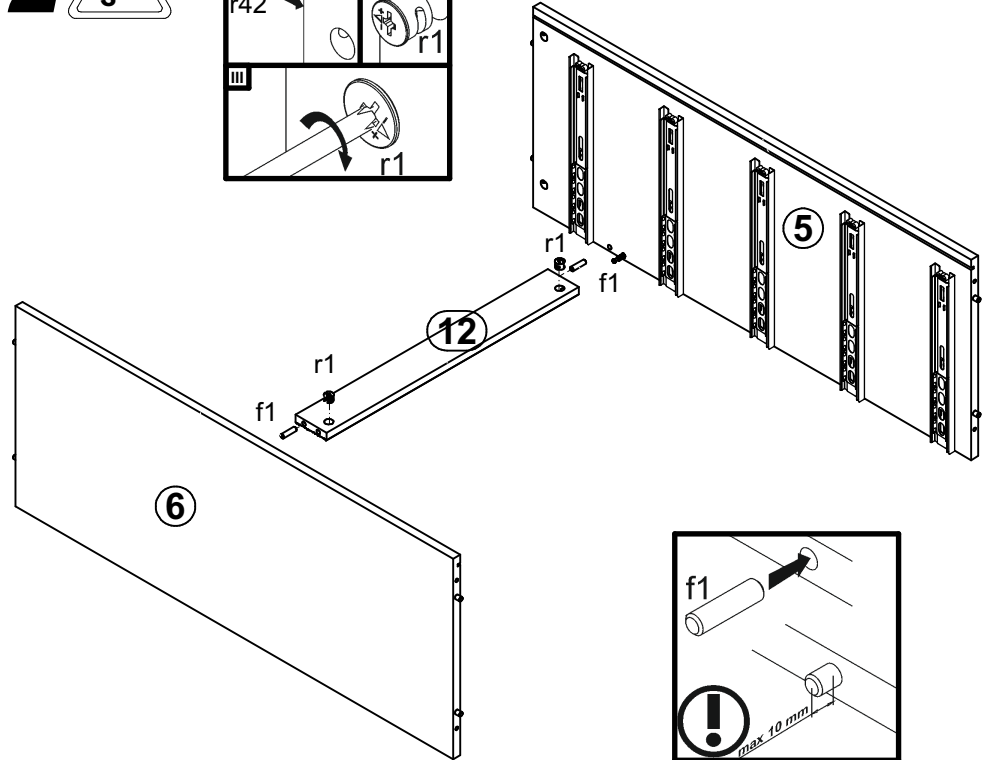
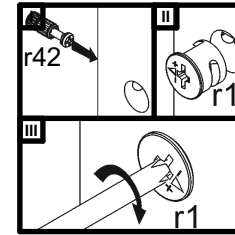


- 24x  $\phi 7 \times 50$ mm **e1**
- 10x  **l2**
- 2x  **k84**
- 30x  $\phi 3,5 \times 12$ mm **p140**
- 26x  $\phi 1,5 \times 12$ mm #16 **r1**
- 20x  $\phi 8 \times 30$ mm **f1**
- 30x  $\phi 6 \times 13$ mm **e3**
- 22x  $\phi 16$ **s2**
- 26x  **r42**
- 10x  $\phi 3,5 \times 16$ mm **p25**
- 1x  **z1**
- 4x  $\phi 4 \times 35$ mm **p6**
- 1x  $\phi 10 \times 50$ mm **f35**
- 1x  $\phi 5 \times 60$ mm **p17**
- 5x  333 mm **t19**
- 10x  350 mm **w207/1**
- 10x  350 mm **w207/2**
- 2x  **k85**
- 7x  $\phi 3,5 \times 16$ mm **p38**
- 1шт.  **n26**

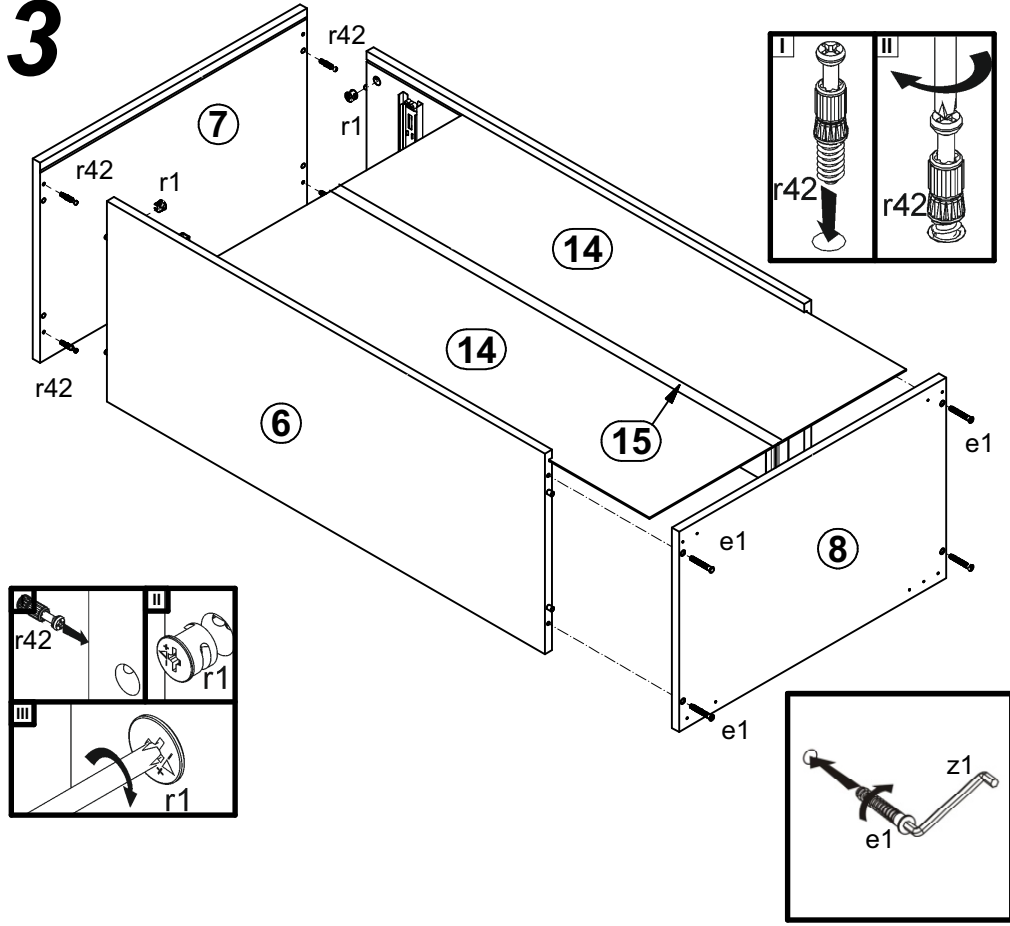
1



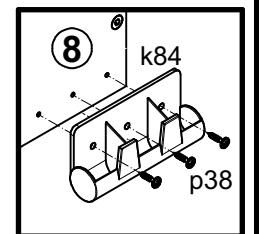
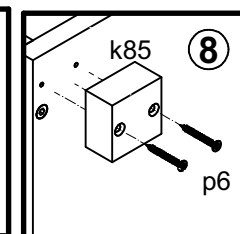
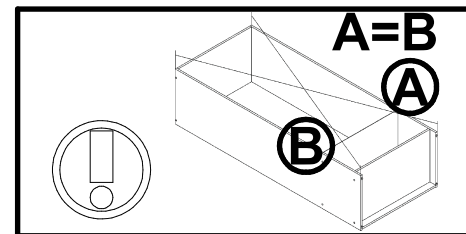
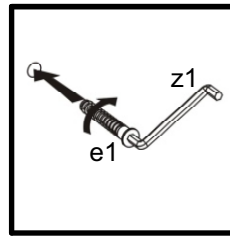
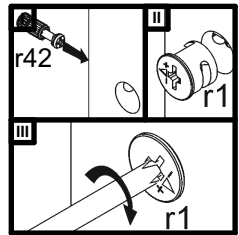
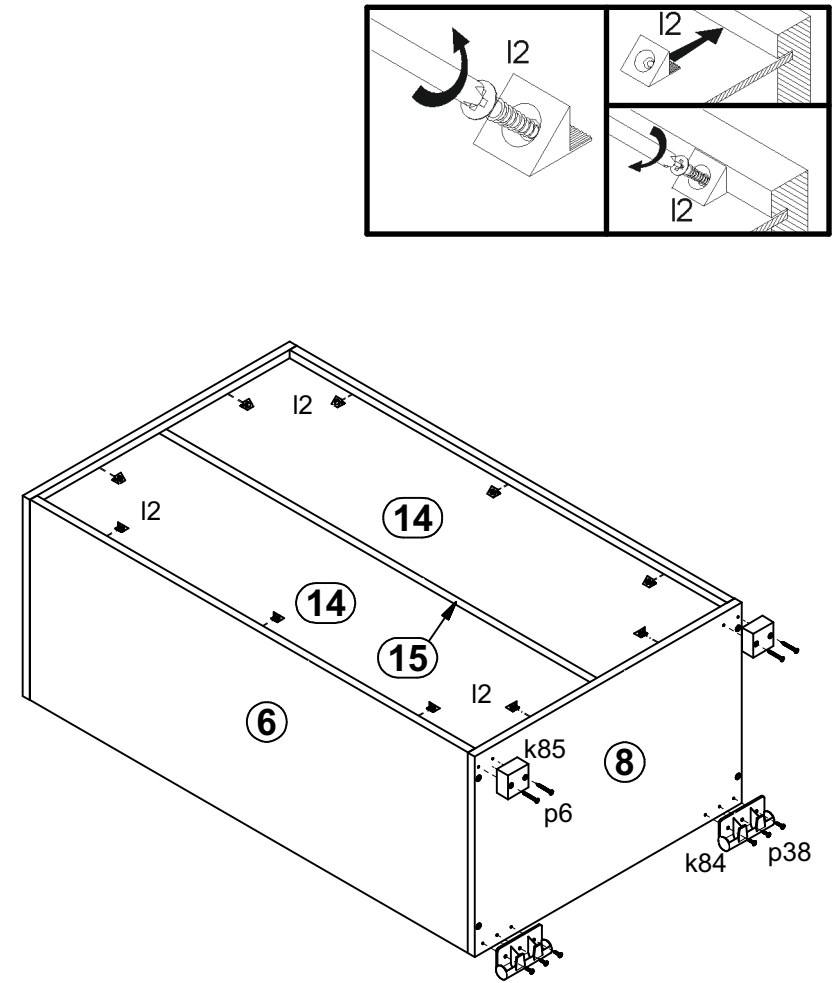
2



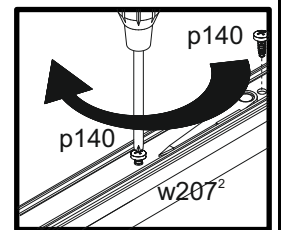
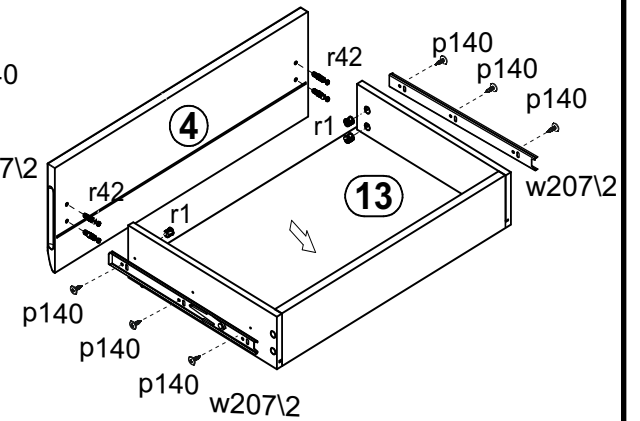
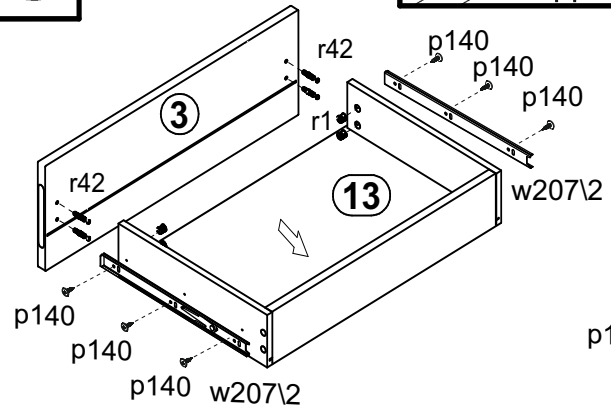
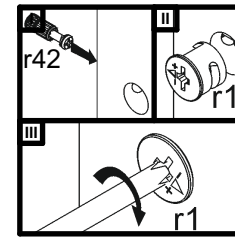
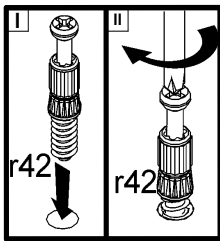
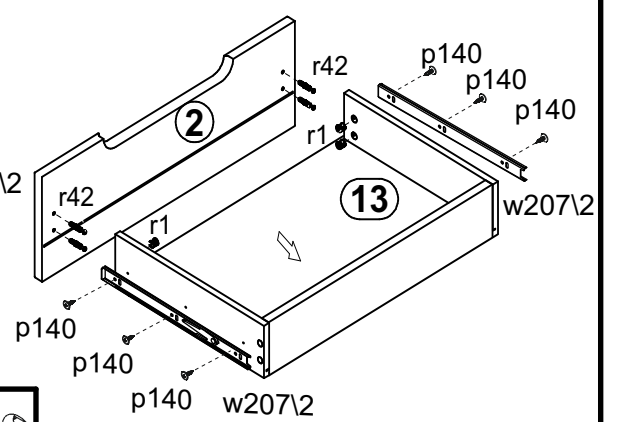
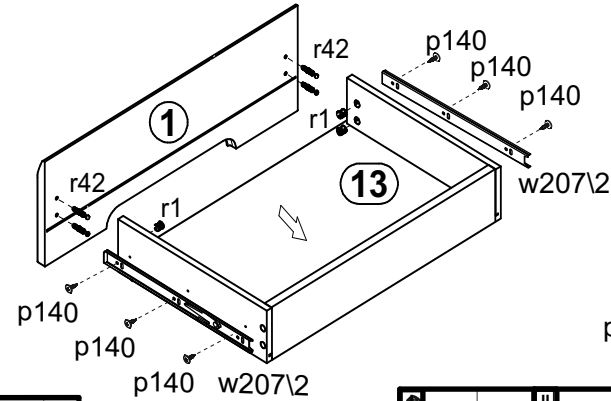
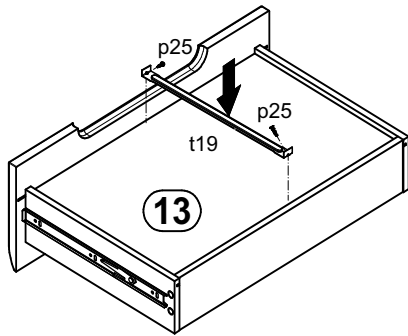
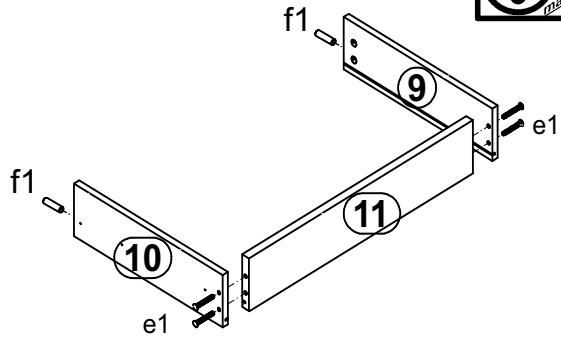
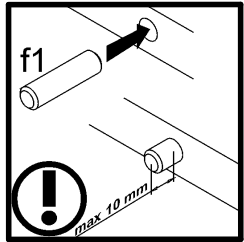
3



4



5



6

