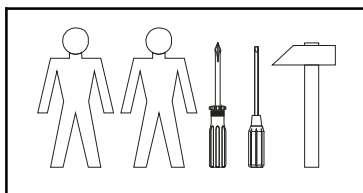
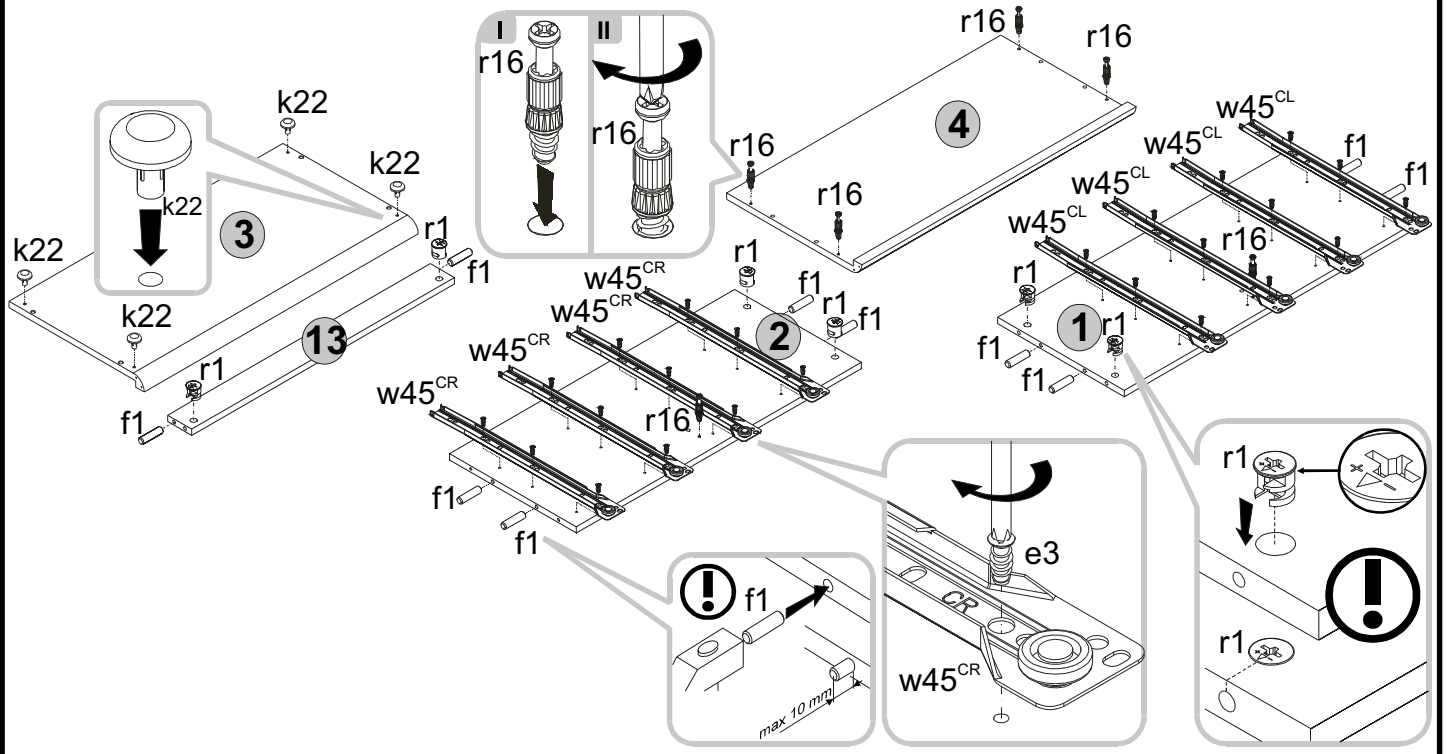


|    | A       | C        | B   | D |
|----|---------|----------|-----|---|
| 1  | 832x370 | S31-109A | 1/3 |   |
| 2  | 832x370 | S31-110A | 1/3 |   |
| 3  | 800x395 | S31-207  | 2/3 |   |
| 4  | 800x395 | S31-208  | 2/3 |   |
| 5  | 796x196 | S31-0002 | 3/3 |   |
| 6  | 796x196 | S31-0006 | 3/3 |   |
| 7  | 796x196 | S31-0003 | 3/3 |   |
| 8  | 350x140 | S31-5504 | 1/3 |   |
| 9  | 350x140 | S31-5505 | 1/3 |   |
| 10 | 710x140 | S31-5503 | 1/3 |   |
| 11 | 720x348 | S31-9910 | 1/3 |   |
| 12 | 856x396 | S31-1909 | 1/3 |   |
| 13 | 767x70  | S31-431  | 1/3 |   |
| 14 | 826x14  | Lh-826   | 1/3 |   |

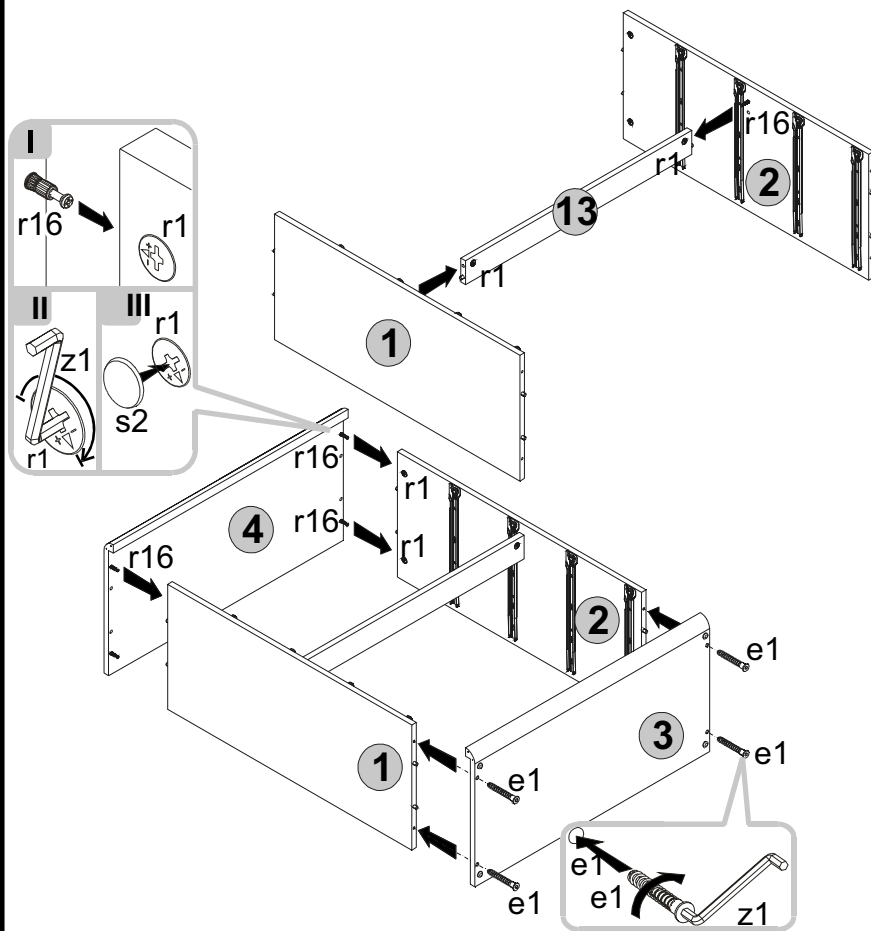


|                                  |   |   |   |   |                                 |                                  |
|----------------------------------|---|---|---|---|---------------------------------|----------------------------------|
| 16x<br><br>φ5x9 mm<br><b>e19</b> | 10x<br><br>φ8x30 mm<br><b>f1</b>            | 16x<br><br>φ6.5x40 mm<br><b>f25</b>         | 16x<br><br>M4x22 mm<br><b>j30</b>           | 8x<br><br>32 mm<br><b>c158</b>              | 4x<br><br>φ7x50 mm<br><b>e1</b> | 24x<br><br>φ6x13 mm<br><b>e3</b> |
| 2x<br><br><b>i28<sup>L</sup></b> | 2x<br><br><b>i28<sup>P</sup></b>            | 8x<br><br>φ3.5x16 mm<br><b>p25</b>          | 16x<br><br>φ3x12 mm<br><b>p83</b>           | 4x<br><br>φ15<br><b>k22</b>                 | 35x<br><br><b>l1</b>            | 4x<br><br><b>i27</b>             |
| 4x<br><br>333 mm<br><b>t19</b>   | 4x<br><br>350 mm<br><b>w45<sup>CL</sup></b> | 4x<br><br>350 mm<br><b>w45<sup>CR</sup></b> | 4x<br><br>350 mm<br><b>w45<sup>DL</sup></b> | 4x<br><br>350 mm<br><b>w45<sup>DR</sup></b> | 1x<br><br><b>z1</b>             | 2x<br><br>ø16<br><b>s2</b>       |

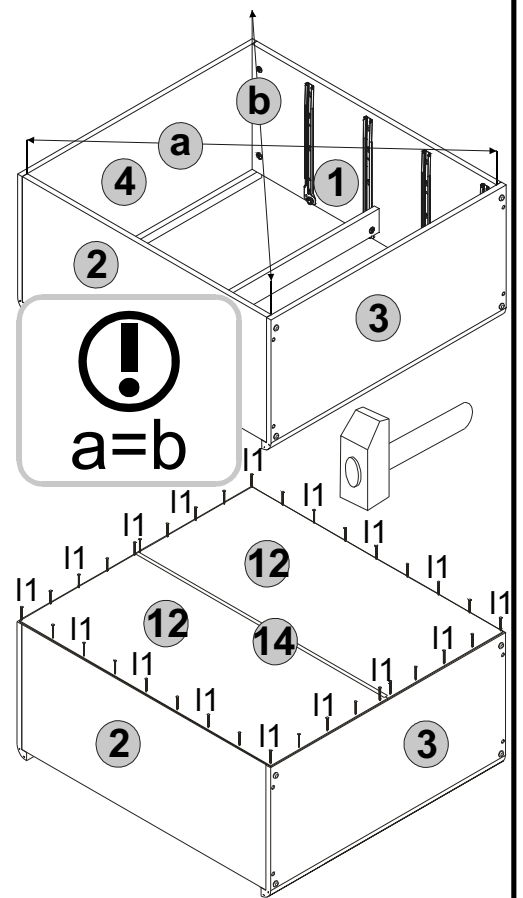
# 1



# 2



# 3



# 4 JKOM4s/80

