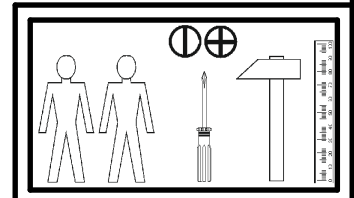
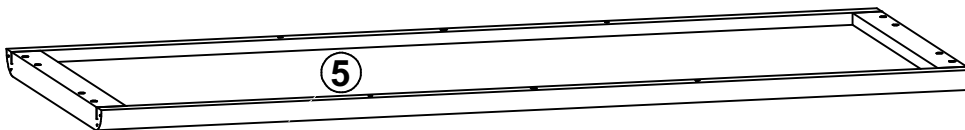
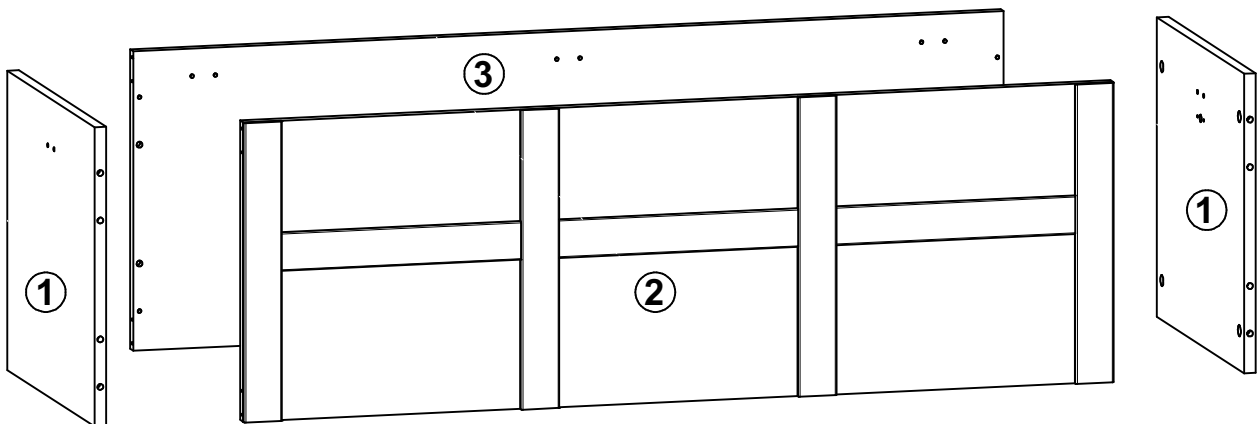
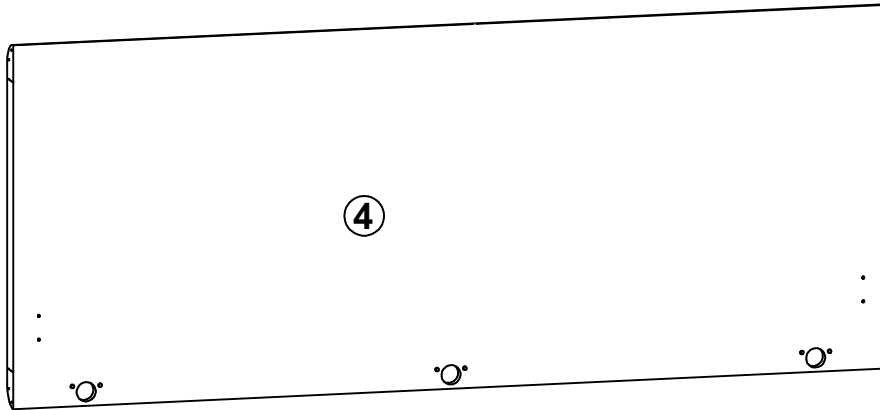
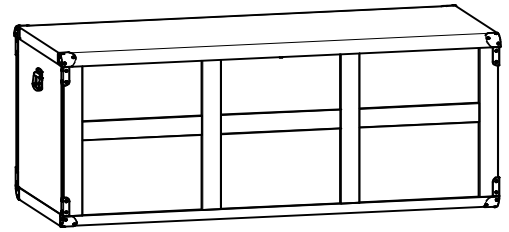


# S31

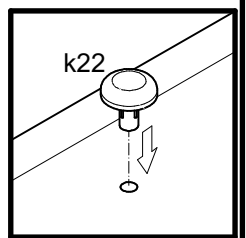
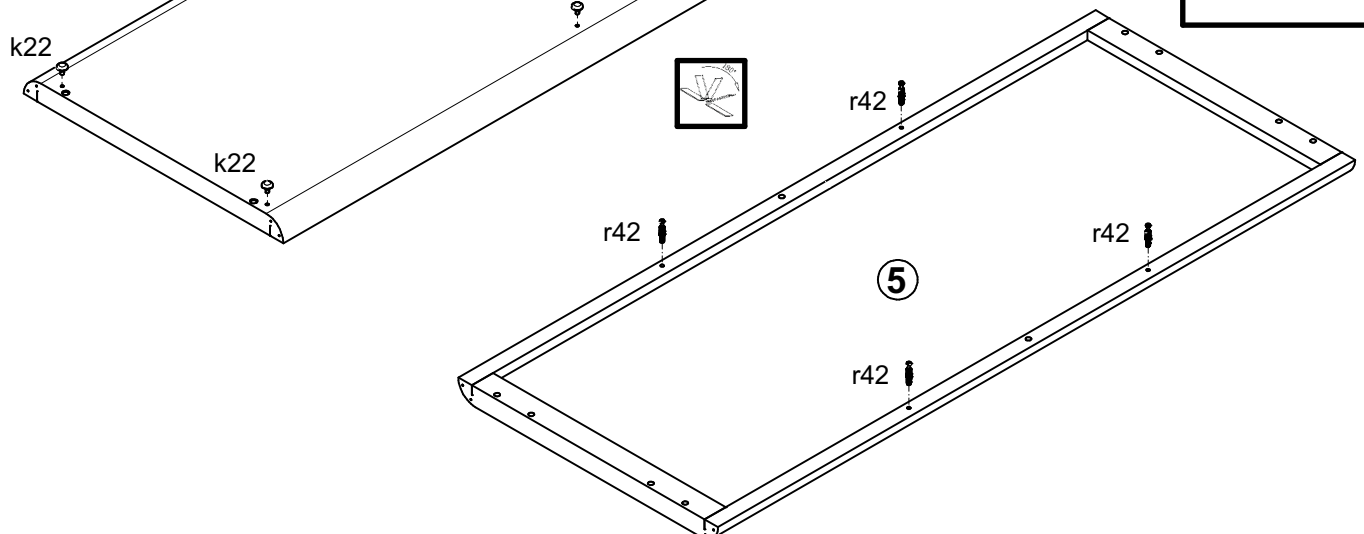
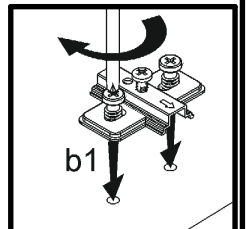
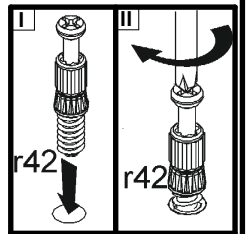
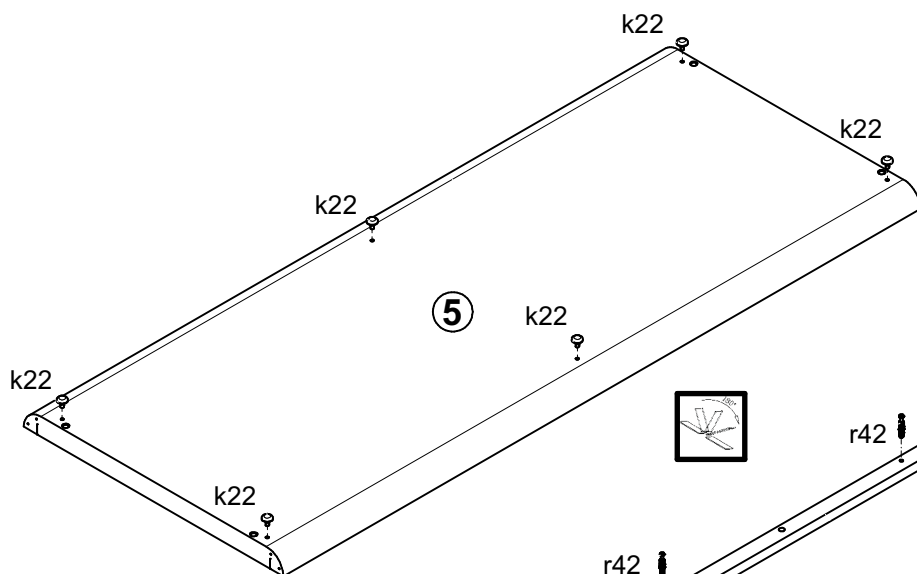
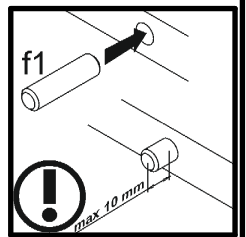
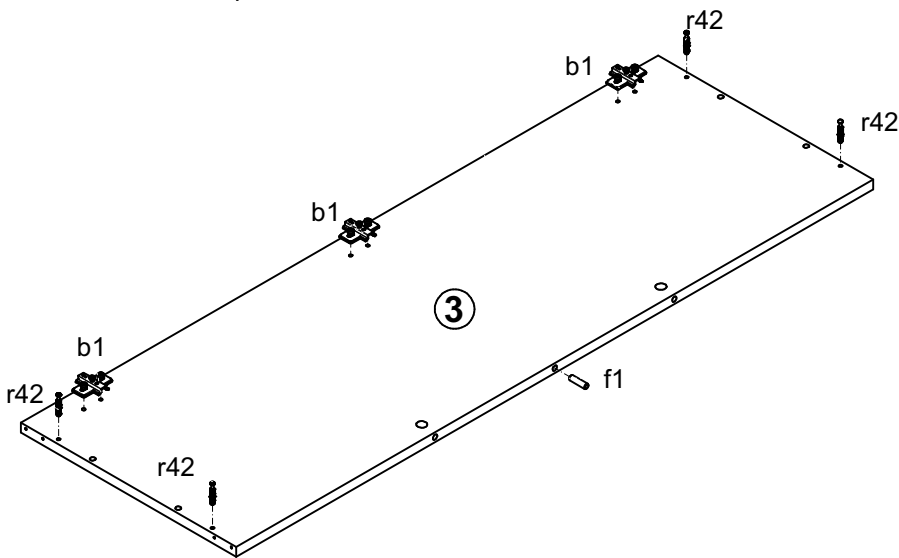
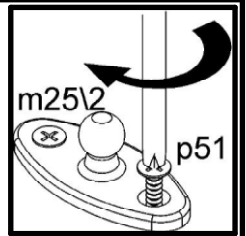
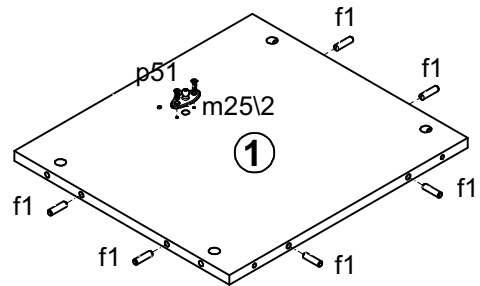
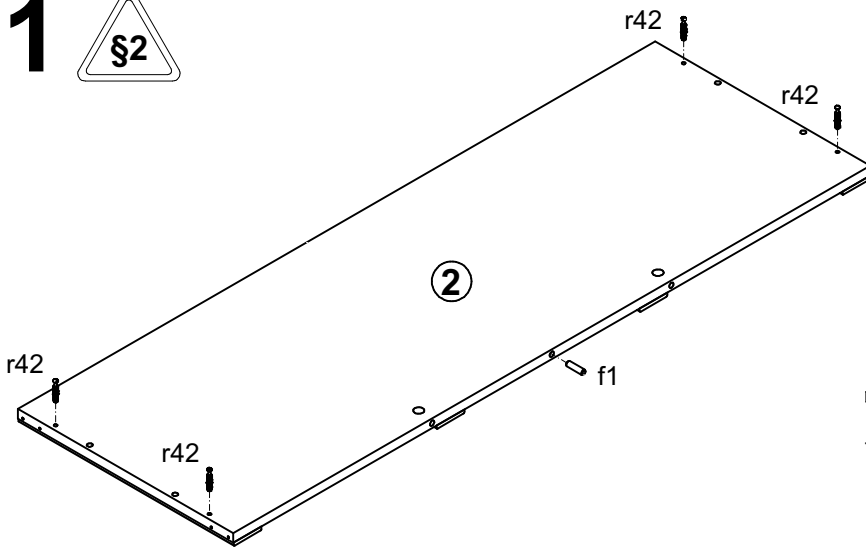
# JKUF 120

A	B	C	D	
1	S31-154	446	403	1/2
2	S31-156	1193	403	1/2
3	S31-157	1193	403	1/2
4	S31-213	1200	490	2/2
5	S31-214	1193	486	2/2

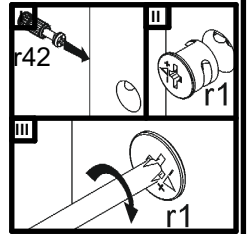
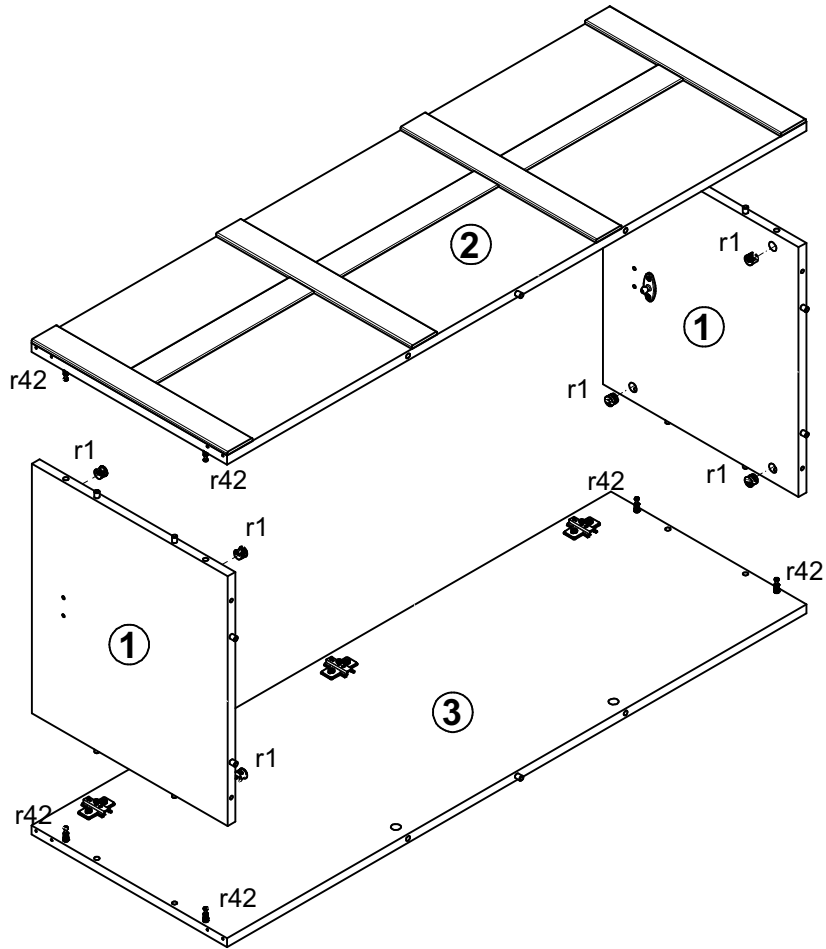


3x  a2	3x  b1	2x  c158	4x  e27 M7 x70 mm	14x  f1 M8 x30 mm	4x  j30 M4x22 mm	6x  k22 M15	8x  l27	4x  l28/L
4x  l28/P	2x  m25/2	2x  m25/6 80 N	2x  m25/9	3x  o21 silikon	8x  p51 M8, 5x15 mm	32x  p83 M3x12 mm	12x  r1 M1,5x12 mm #16	12x  r42 20/11
12x  s2 M16	1x  z1							

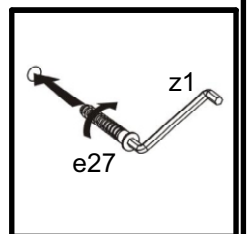
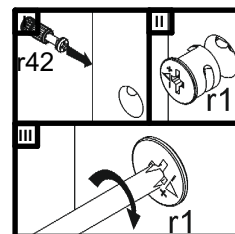
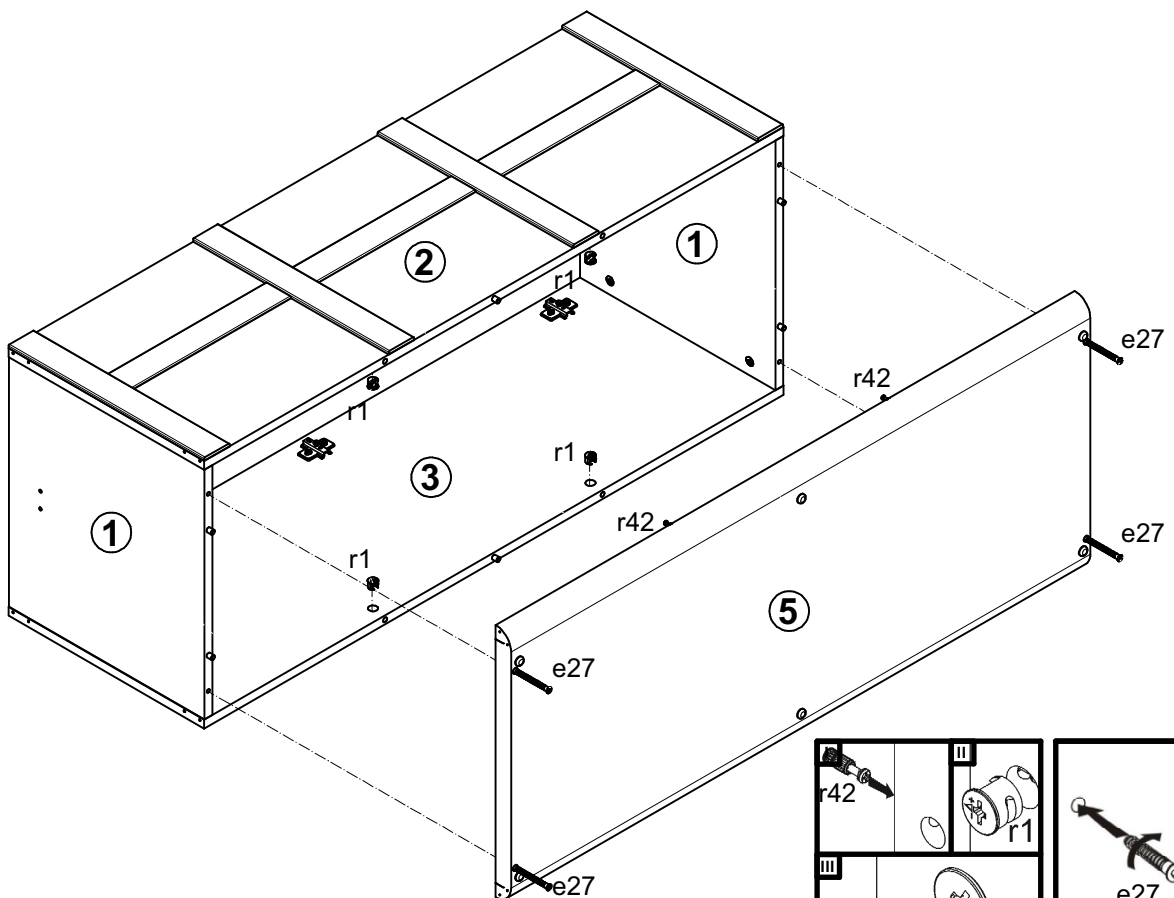
1 



# 2

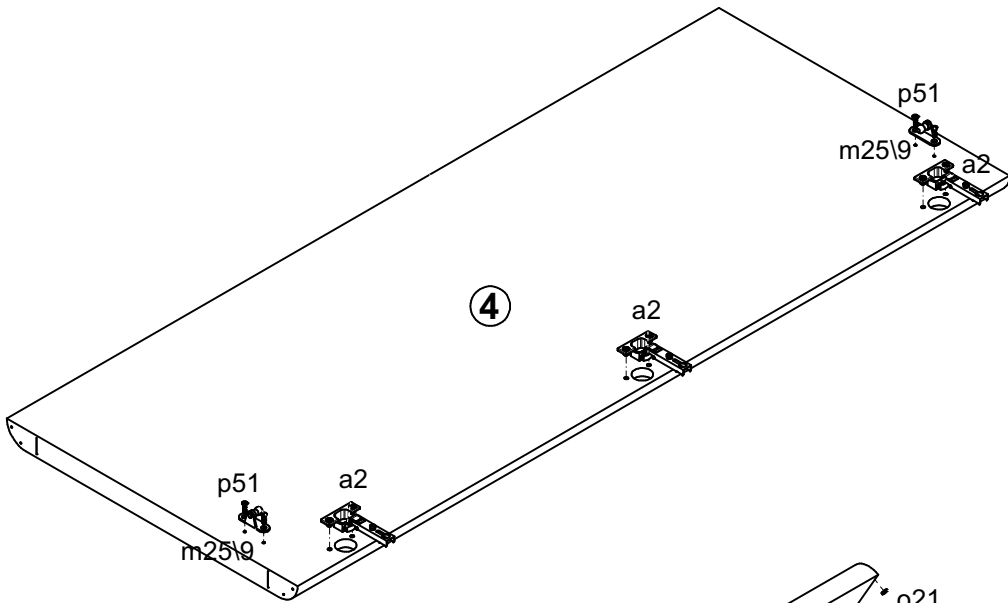


# 3

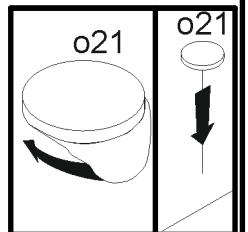
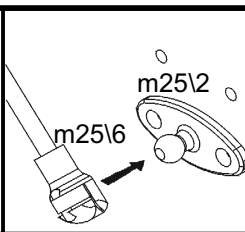
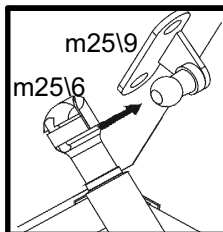
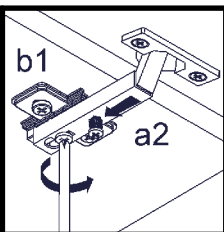
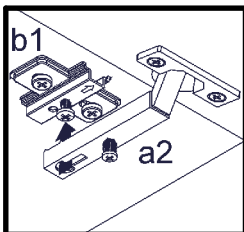
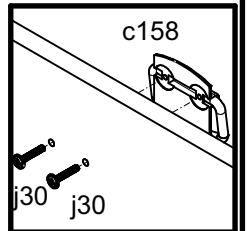
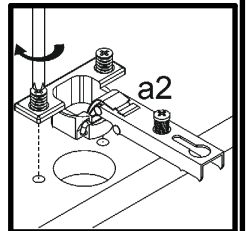
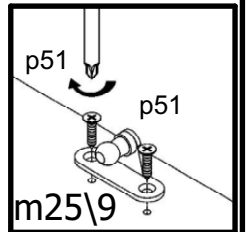
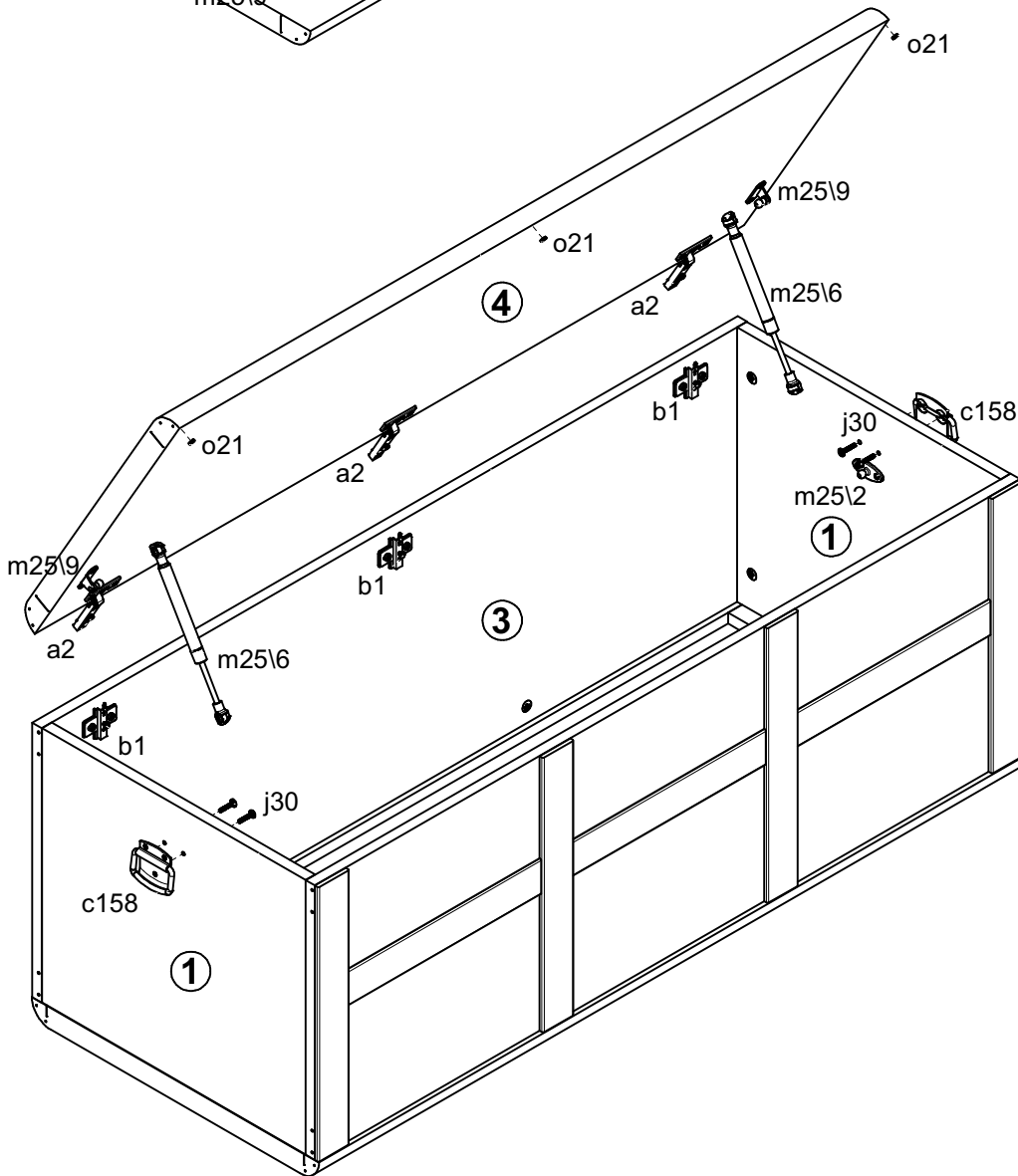


# 4

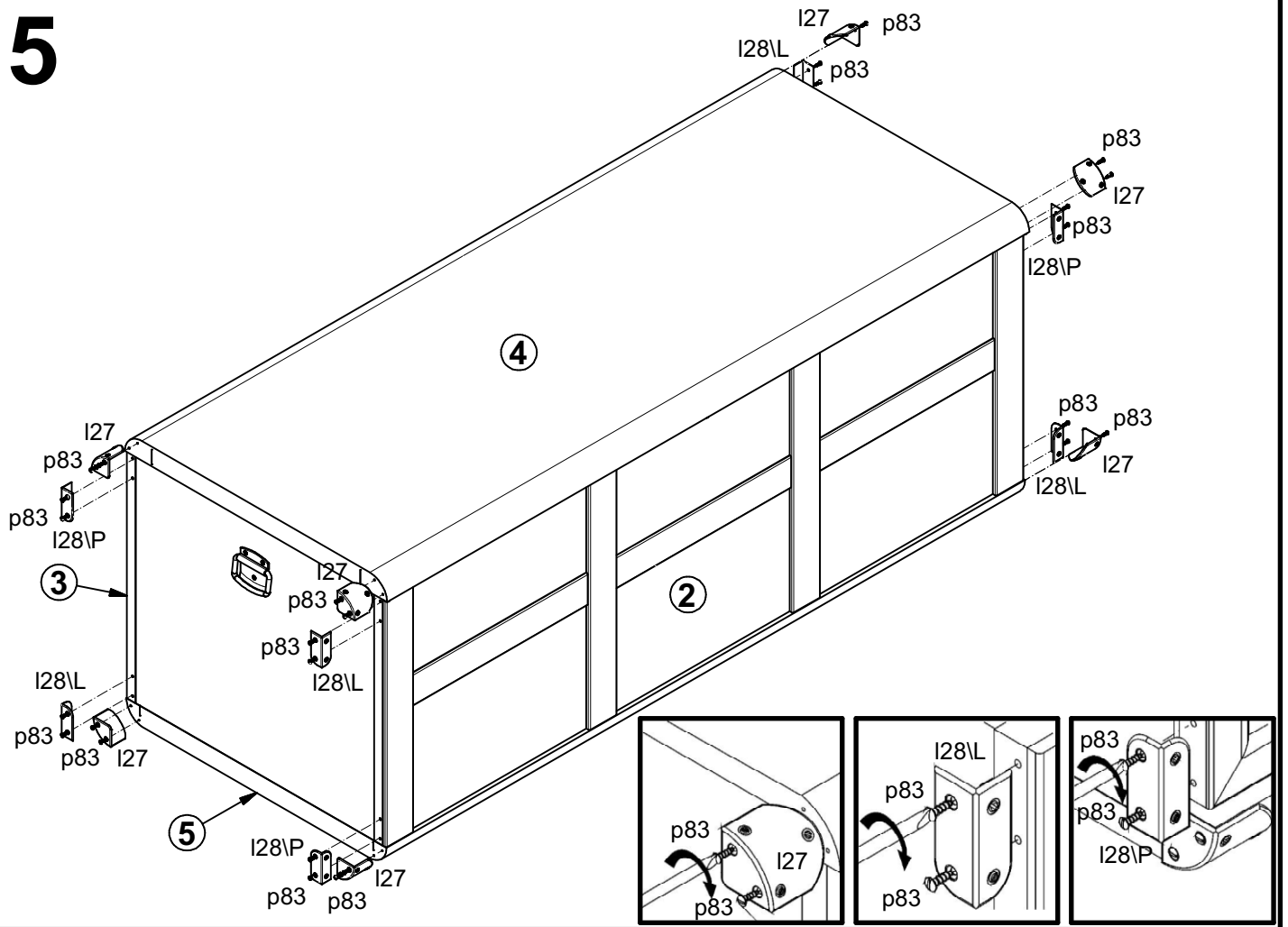
I



II



# 5



# 6

