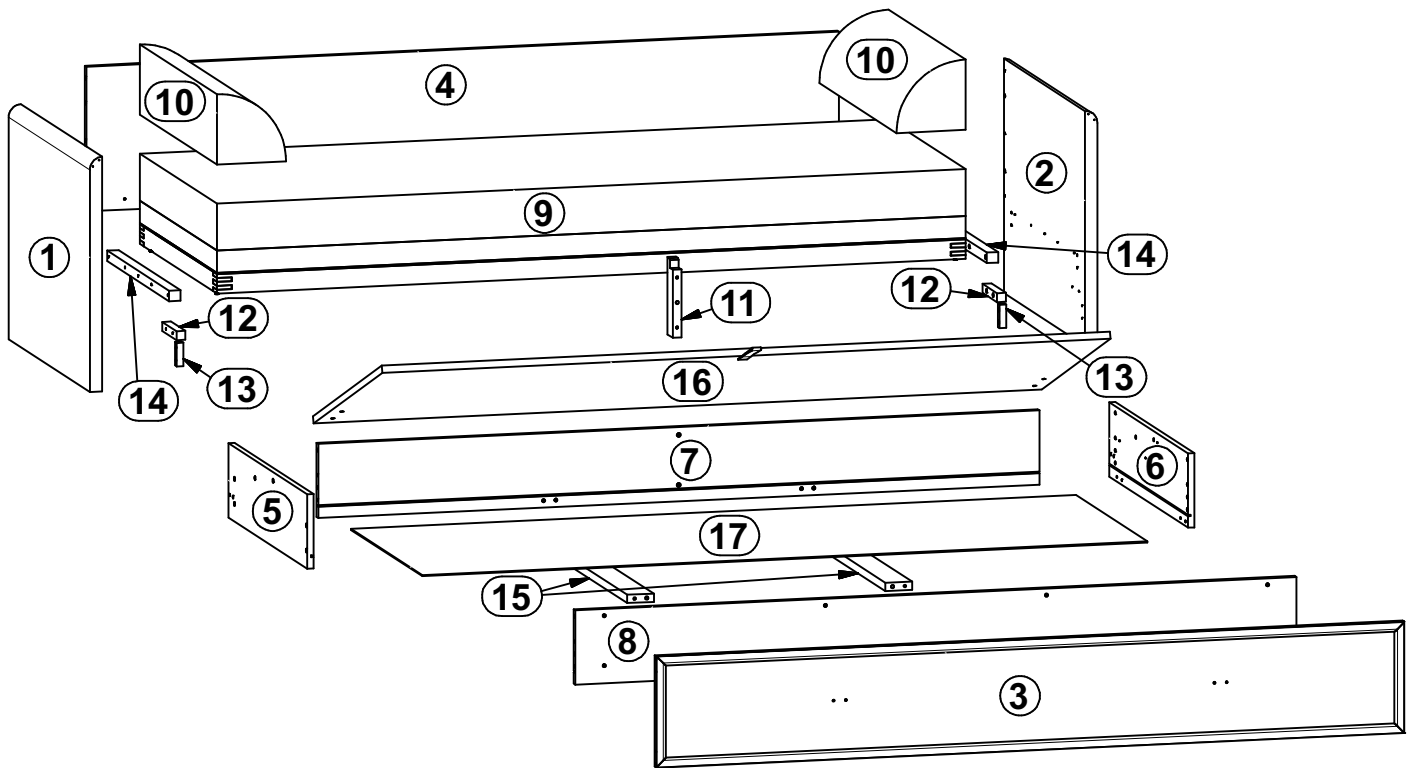
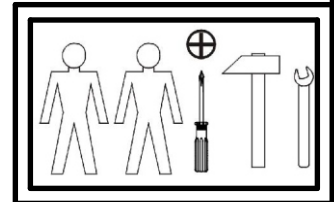
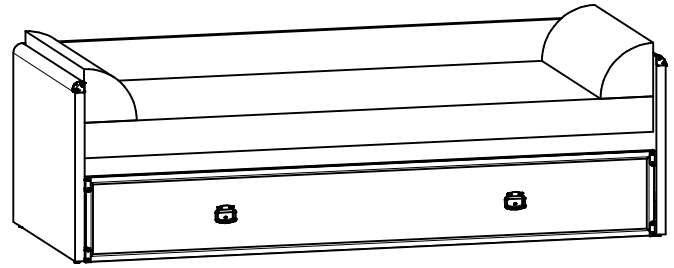
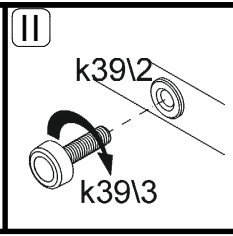
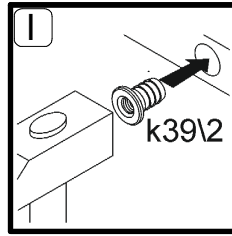
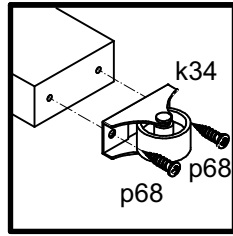
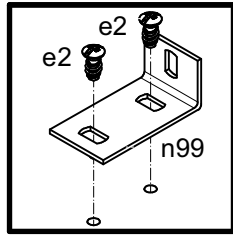
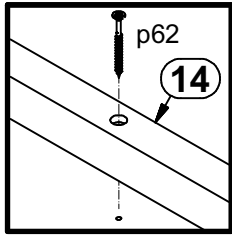
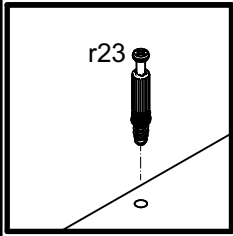
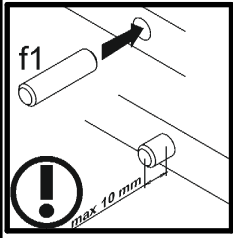
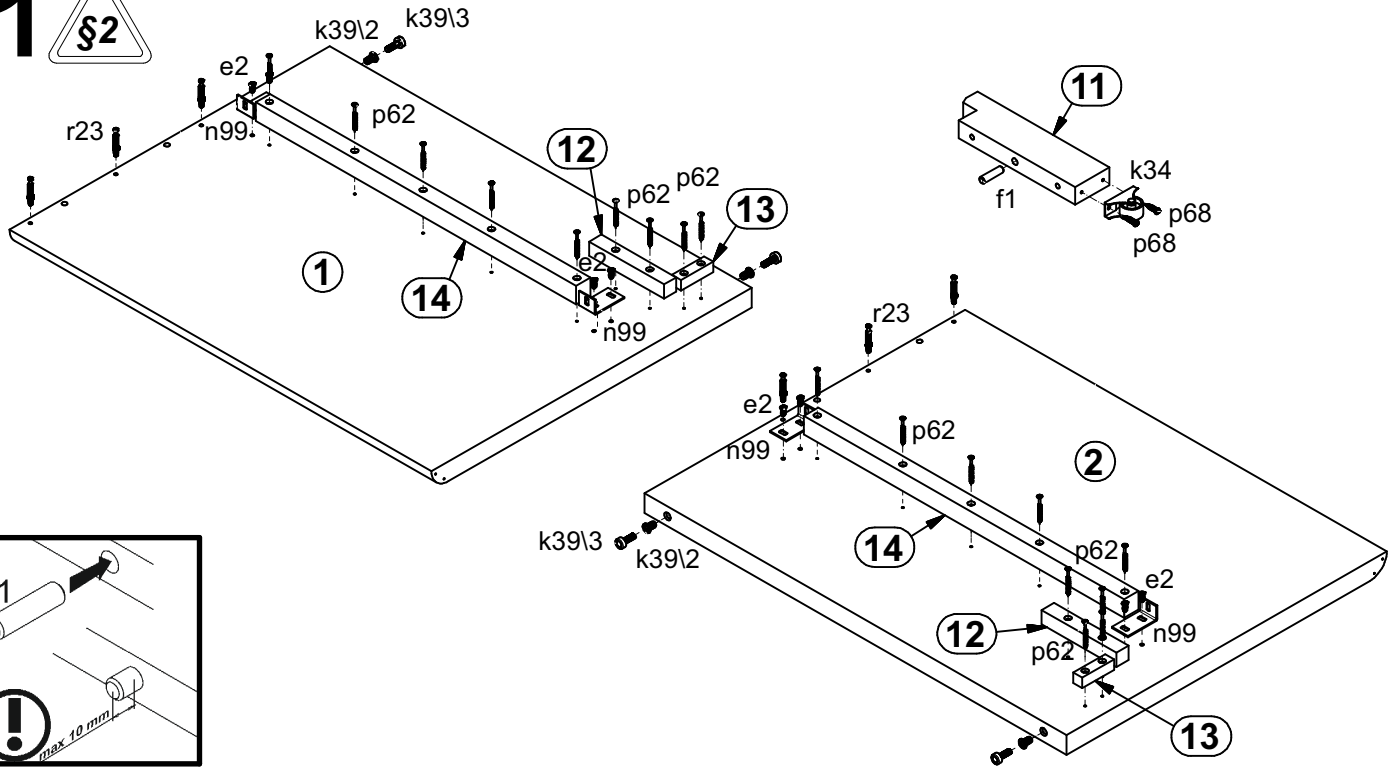


A	B	C	D	
1	S31-034 A	790	600	1/4
2	S31-035 A	790	600	1/4
3	S31-036	1948	285	4/4
4	S31-413	1960	370	2/4
5	S31-414 A	767	190	2/4
6	S31-415 A	767	190	2/4
7	S31-416 A	1878	190	2/4
8	S31-417	1878	190	2/4
9	S31-422	1950	1500	1/2
10	S31-456	750	180	2/2
11	ZZ1-402	198	52	3/4
12	ZZ1-403	140	23	3/4
13	ZZ1-405	60	17	3/4
14	ZZ1-406	600	27	3/4
15	ZZ1-407	684	70	3/4
16	ZZ1-408	1896	712	3/4
17	ZZ1-903	1888	694	3/4

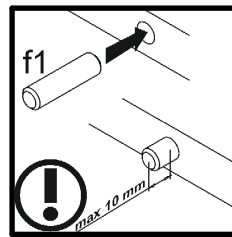
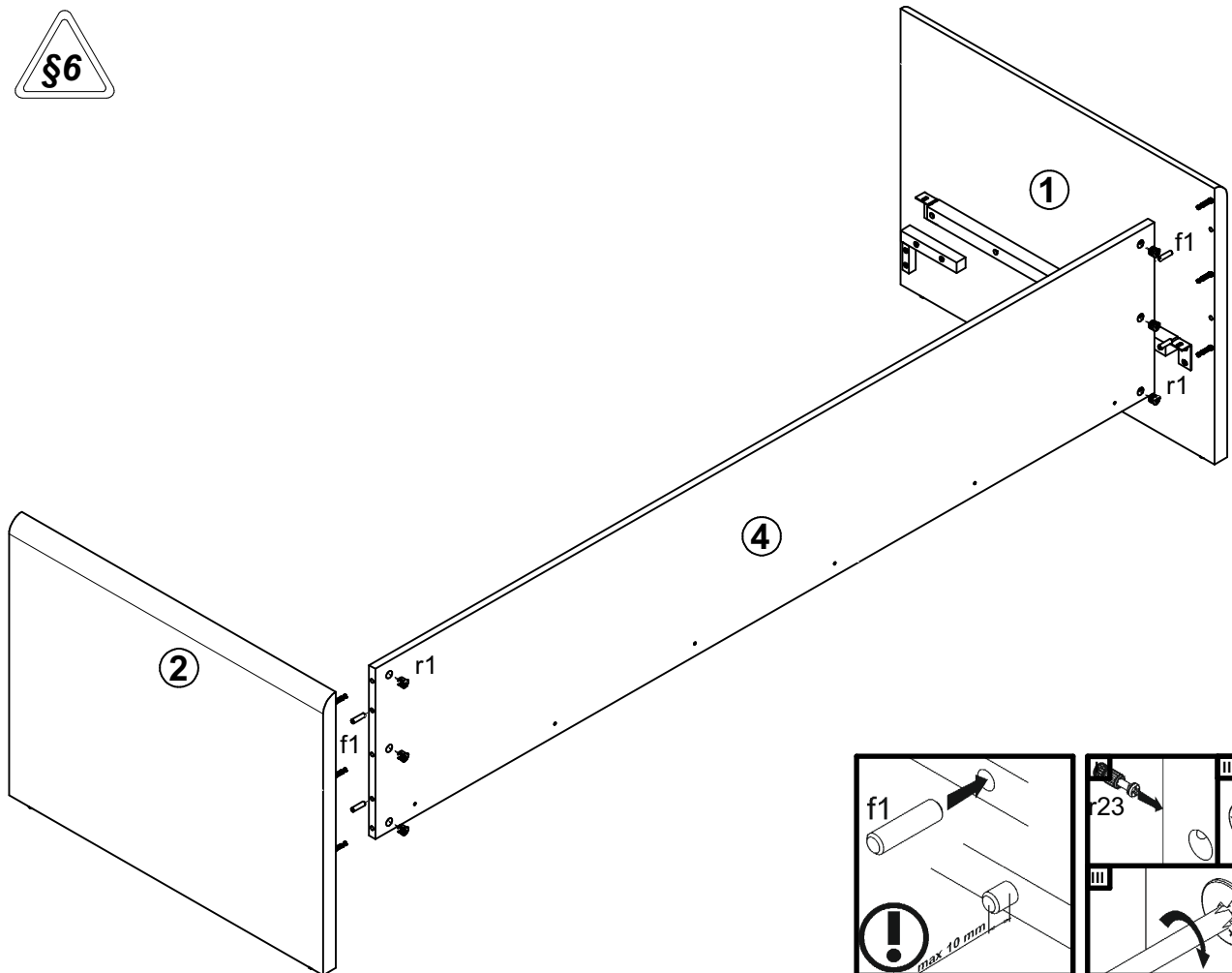


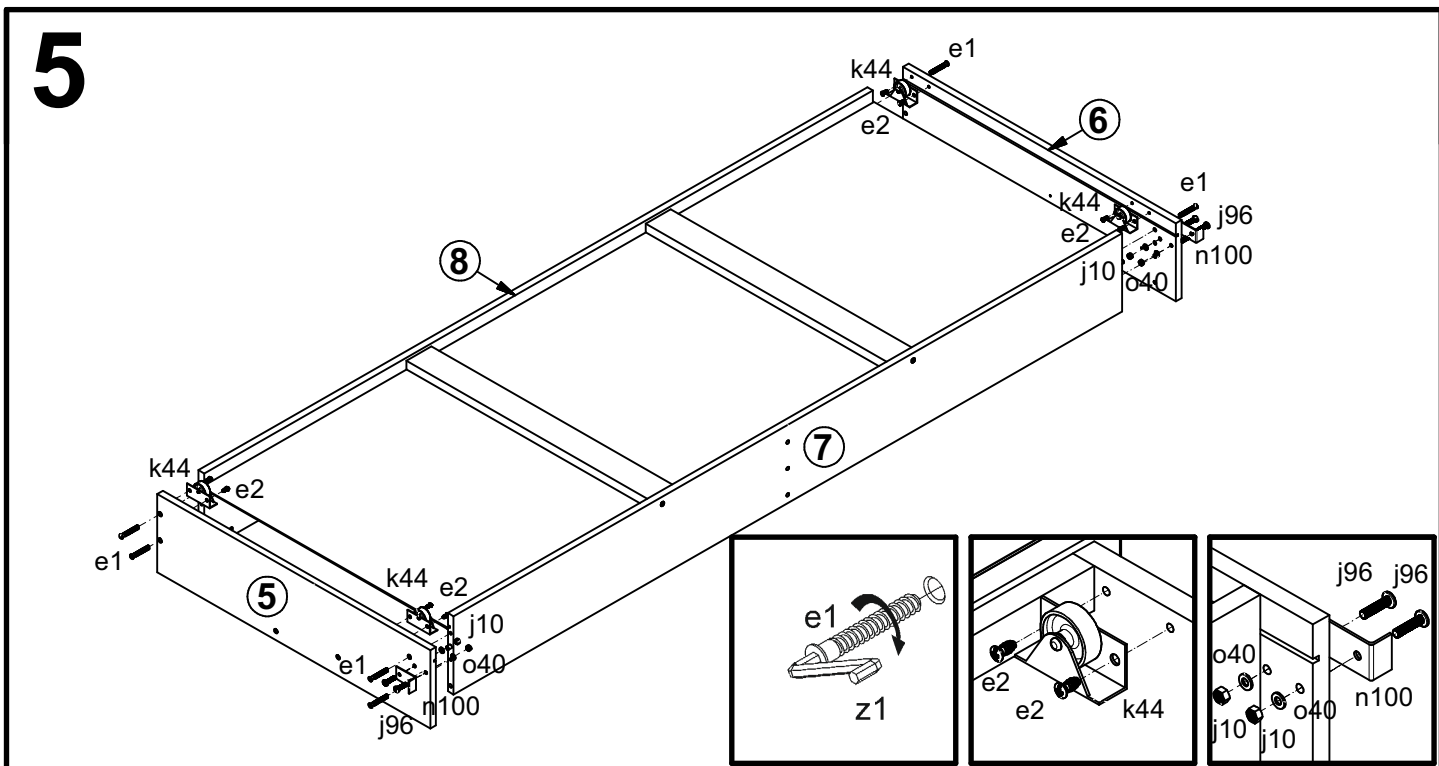
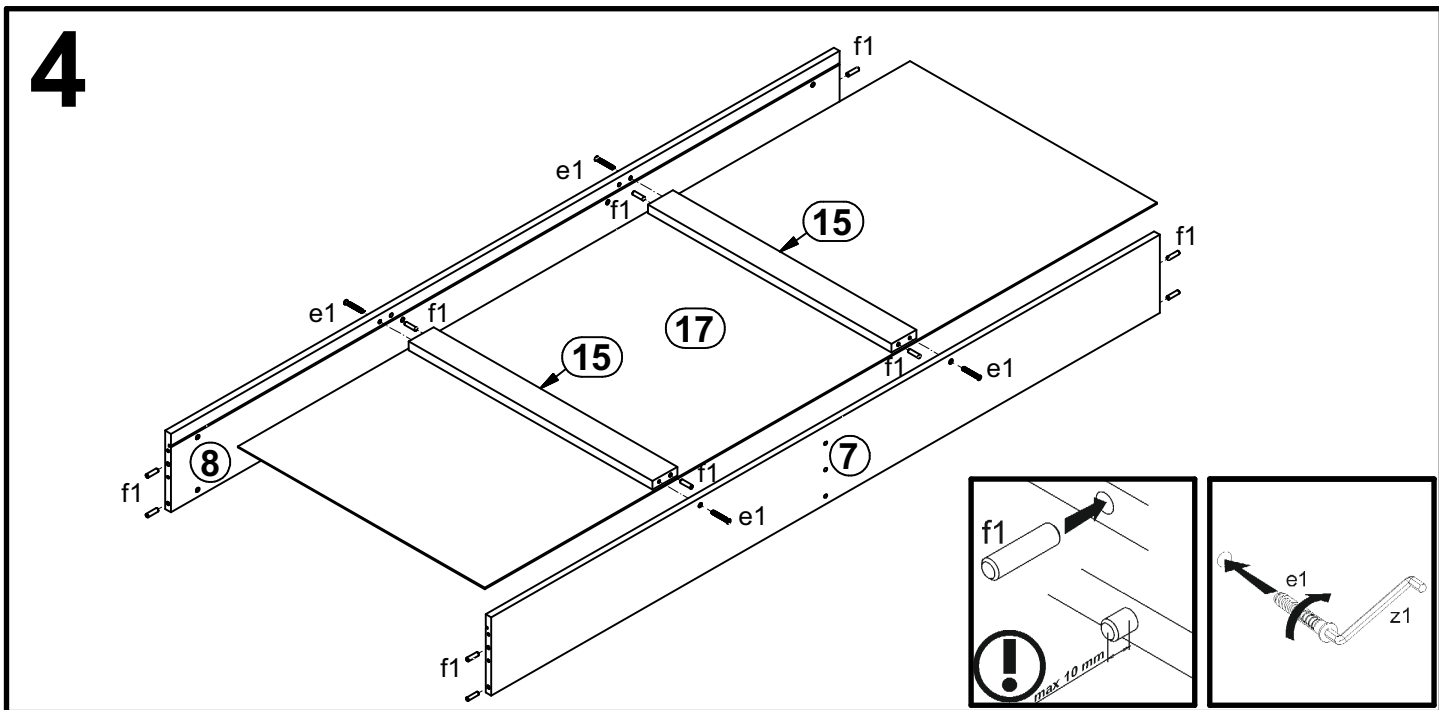
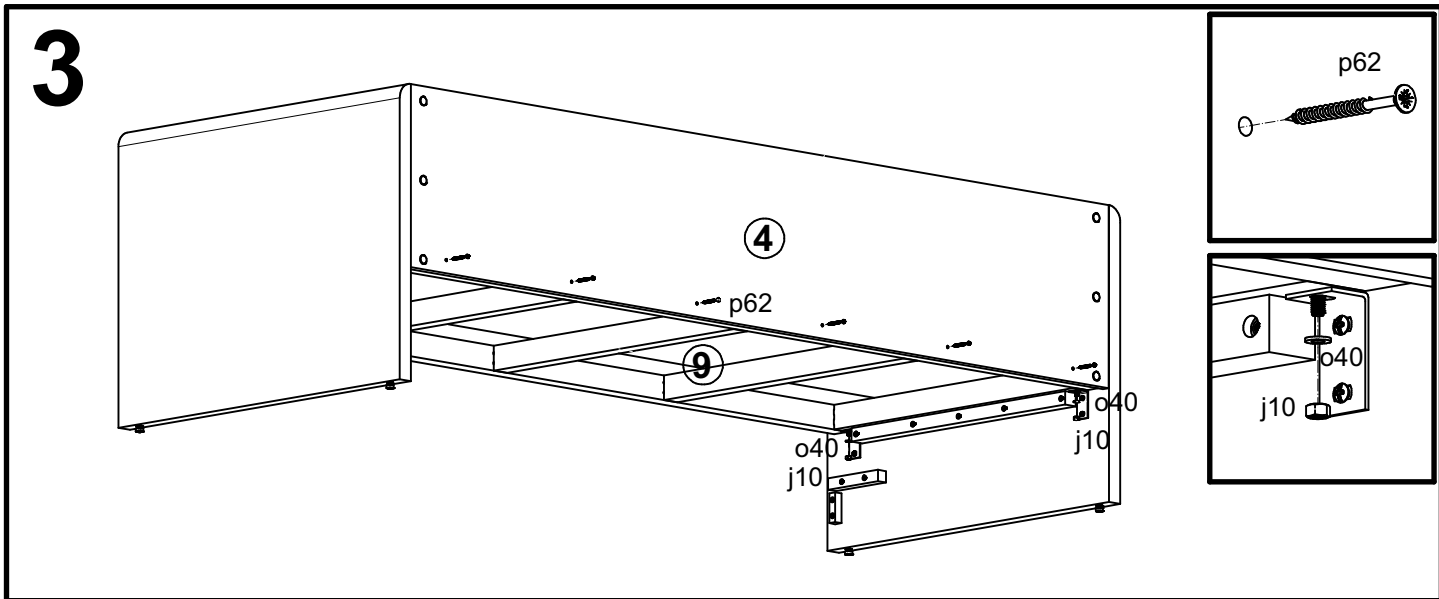
2x c158	14x M7 x50 mm e1	16x M6.3x13 mm e2	8x M7 x28 mm e22	17x M8 x30 mm f1	16x M6 j10	4x M4x22 mm j60	4x M6x30 mm j9	8x M6x25 mm j96
1x k34	4x M6/g14x14 mm k39/2	4x M6/22 mm k39/3	4x k44	2x l27	2x l28/L	2x l28/P	2x m28/1	1x m28/L
1x m28/P	2x 55x30x20/2 n100	4x 55x30x29/2 mm n99	12x M6 xM1 21.4 mm o40	4x M6 mm o6	6x M6.5x13 mm p1	24x M4 x45 mm p62	2x M4 x20 mm p68	12x M3 x12 mm p83
6x M1 5x12 mm #16 r1	6x r23	8x s1	6x M1 6 s2	1x 395 mm s7/L	1x 395 mm s7/P	1x z1		

1

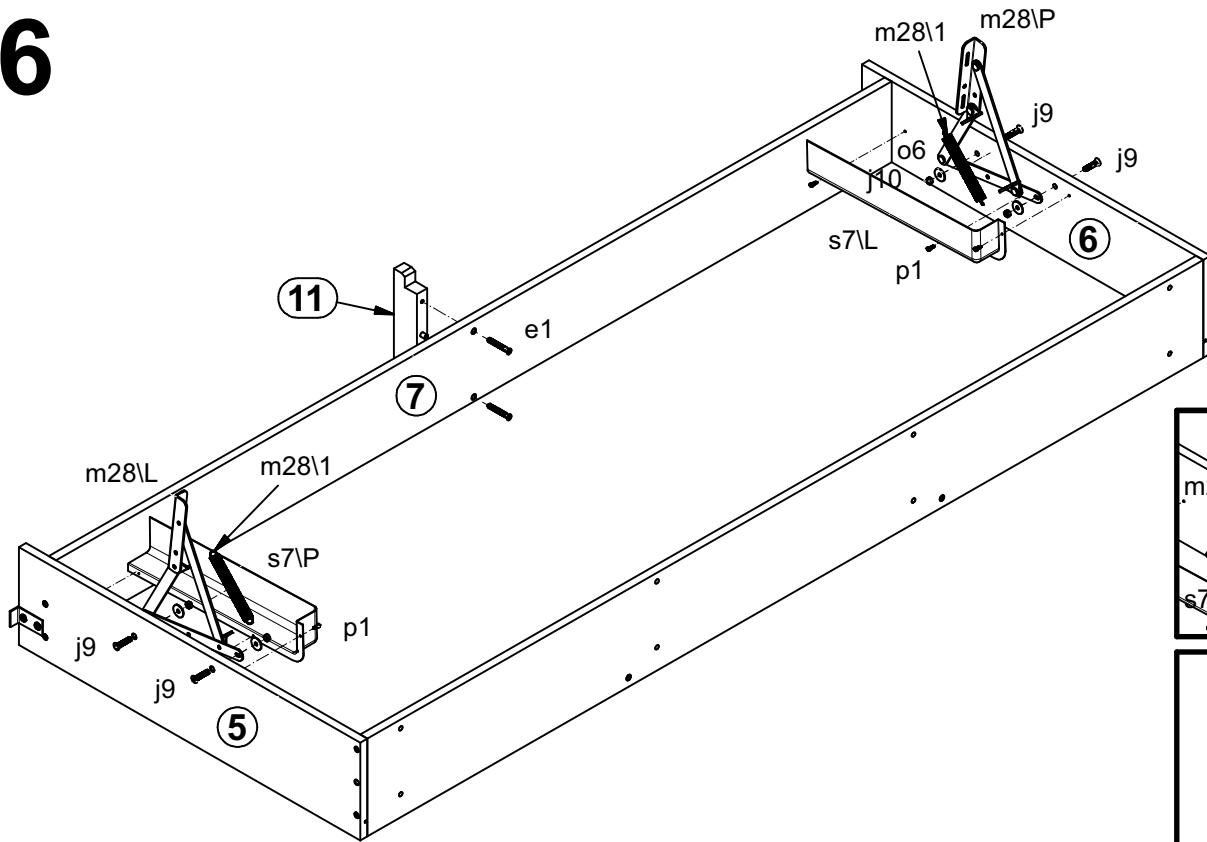


2

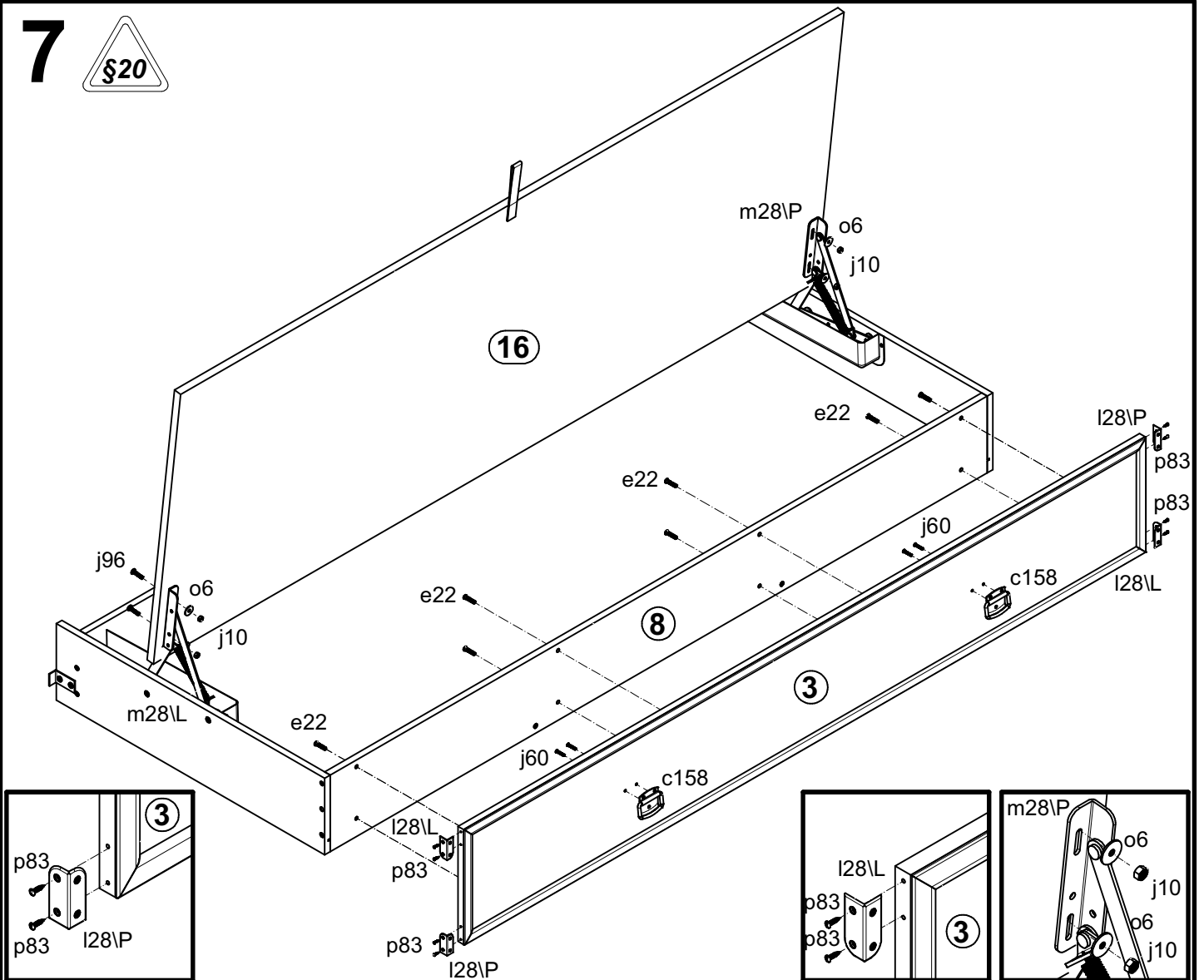




6



7



8

