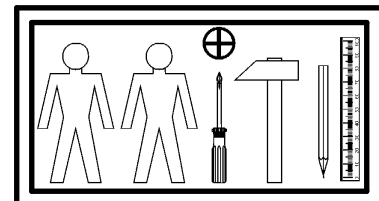
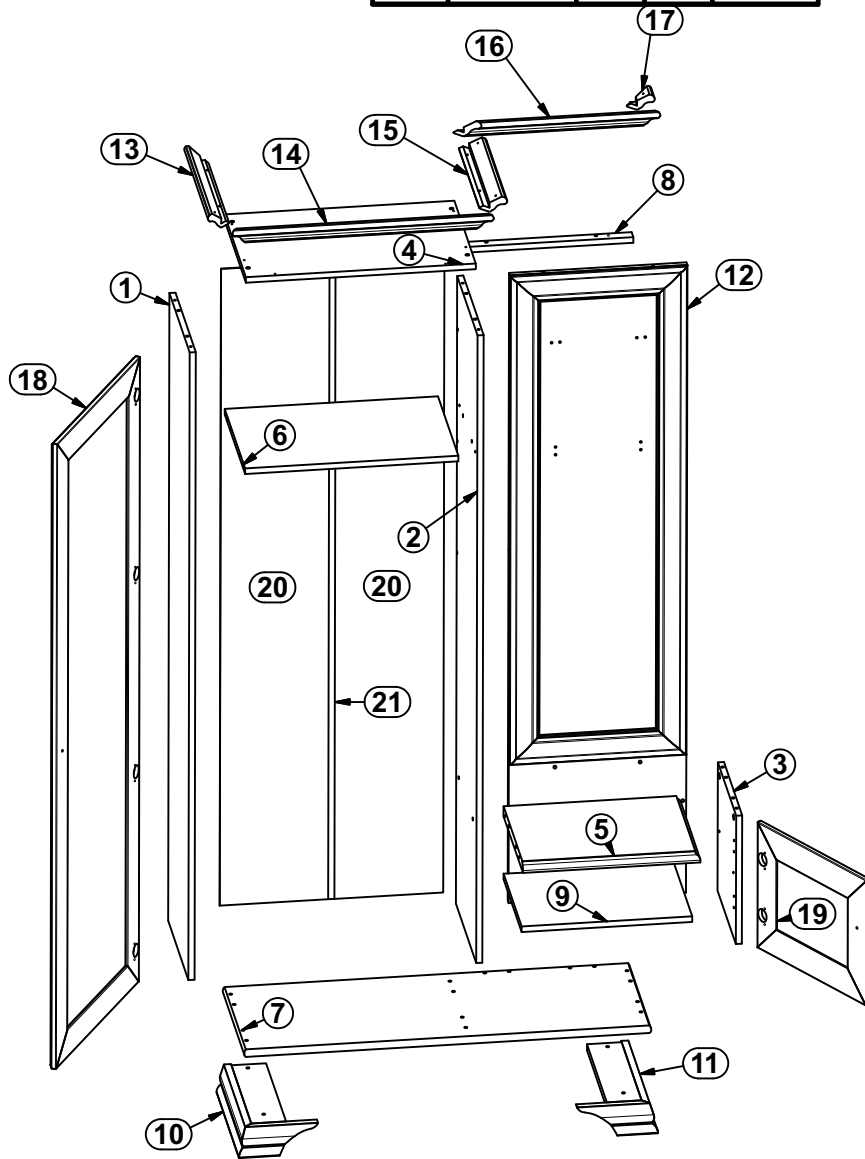
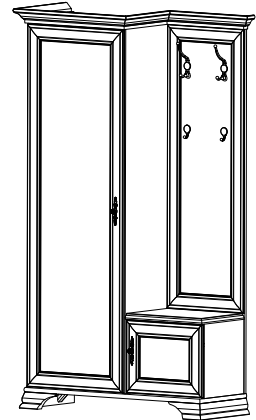


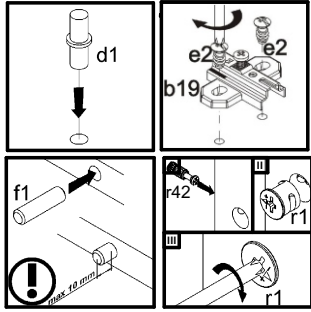
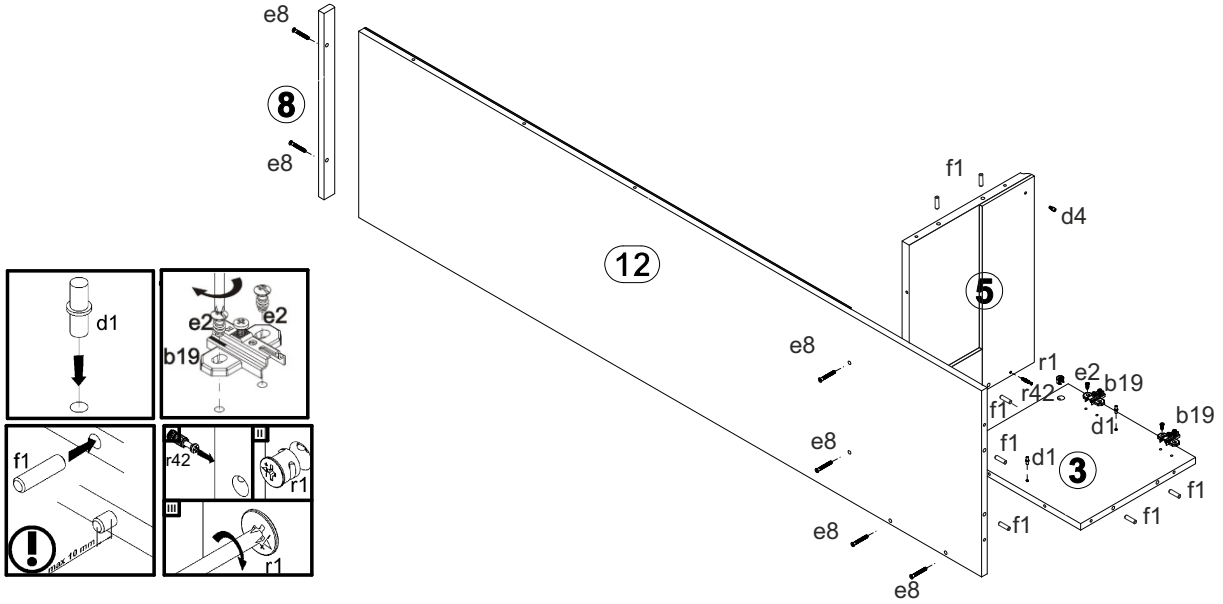
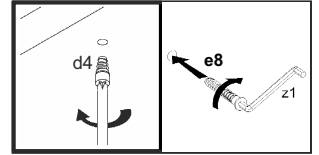
# S320-PPK/110(N)L

A	B	C	D	A	B	C	D		
1	S320-158N	1928	370	1/7	11	S320-514	408	210	5/7
2	S320-1160N	1928	370	1/7	12	S320-2249N	1928	466	2/7
3	S320-159	368	332	3/7	13	S320-587	433	80	4/7
4	S320-248	599	392	3/7	14	S320-585	681	80	4/7
5	S320-2251N	466	354	3/7	15	S320-586	433	80	4/7
6	S320-332A	555	370	3/7	16	S320-588	534	80	4/7
7	S320-247	1064	392	3/7	17	S320-527	64	80	4/7
8	S320-252	466	33	3/7	18	S320-0041/N	1920	581	7/7
9	S320-333	448	328	3/7	19	S320-0040	360	459	6/7
10	S320-513	408	210	5/7	20	S320-1937N	1954	291	1/7
					21	Lh-1922	1922	14	1/7

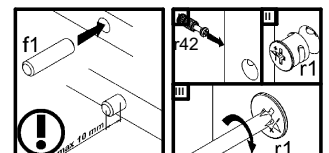
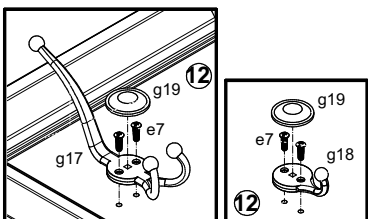
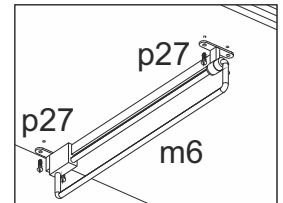
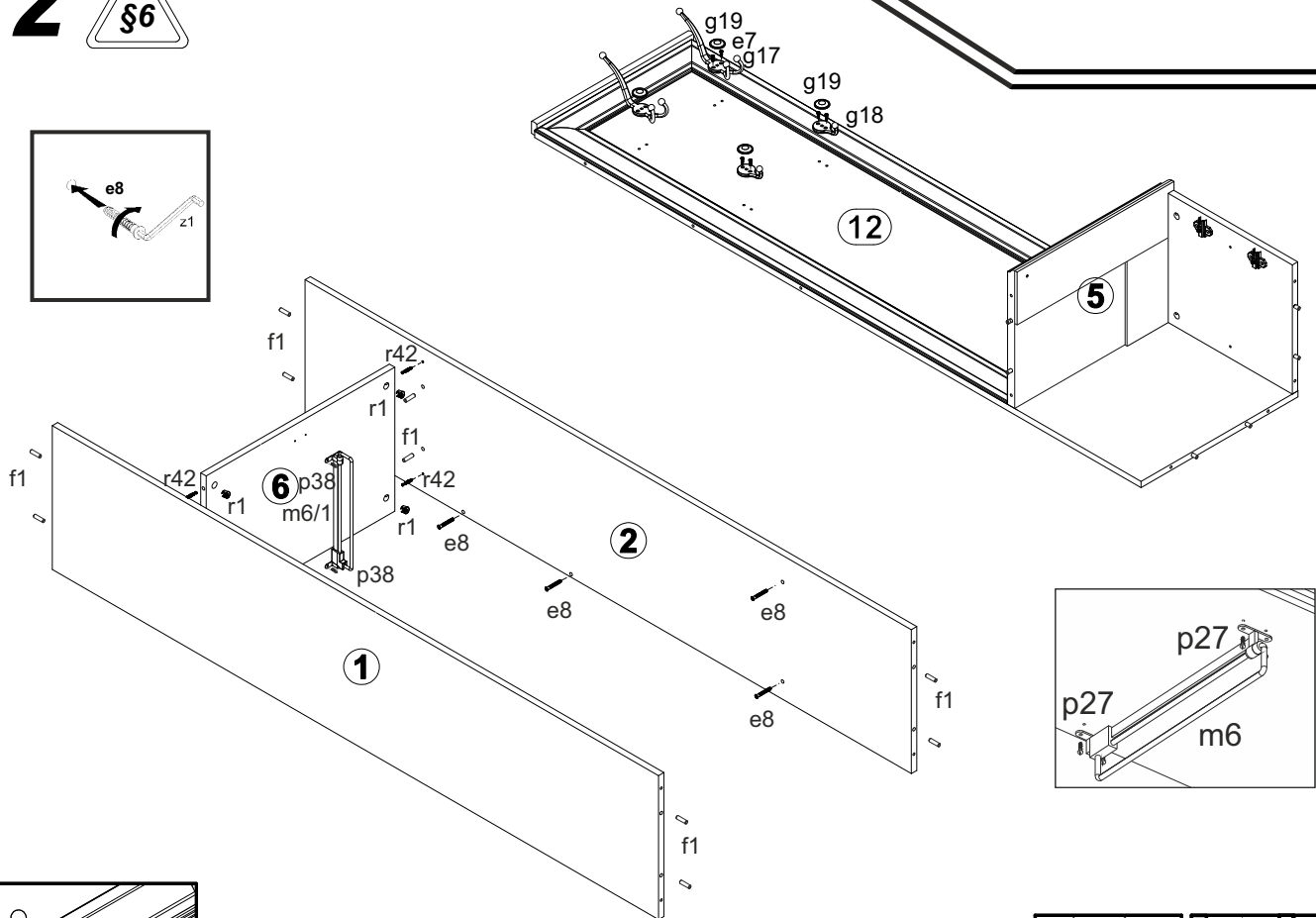
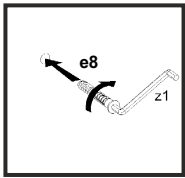


12x  φ6,3x13 mm <b>e2</b>	50x  <b>l1</b>	6x  φ1,5x12mm #16 <b>r1</b>	20x  φ8x30 mm <b>f1</b>	1шт.  L-300m6/1	4x  φ3,5x16 mm <b>p38</b>	2x  <b>c35/1</b>	2x  <b>c35/2</b>
4шт.  x17 mm <b>d1</b>	4x  φ7,35 mm <b>e26</b>	23x  φ7x60 mm <b>e8</b>	8x  φ4x25 mm <b>p8</b>	4x  26x26x16/1 - 12x <b>n40</b>	8x  φ3x7 mm <b>p46</b>	2x  M4x30 mm <b>j6</b>	6x  <b>a44</b>
1шт.  x60 mm <b>p17</b>	1x  <b>n26</b>	1шт.  x50 mm <b>f35</b>	6x  ø16 <b>s2</b>	1x  φ3,5x16 mm <b>p38</b>	5шт.  <b>s1</b>	6x  DS <b>b19</b>	12x  φ3,5x15 mm <b>p51</b>
1шт.  <b>z1</b>	1x  φ6,3x15 mm <b>d4</b>	6x  <b>r42</b>	2x  <b>g17</b>	2x  <b>g18</b>	8x  φ6,3x16 mm <b>e7</b>	4x  <b>g19</b>	

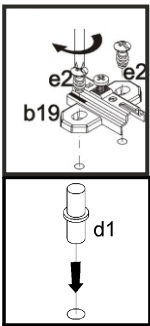
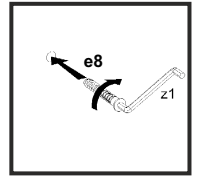
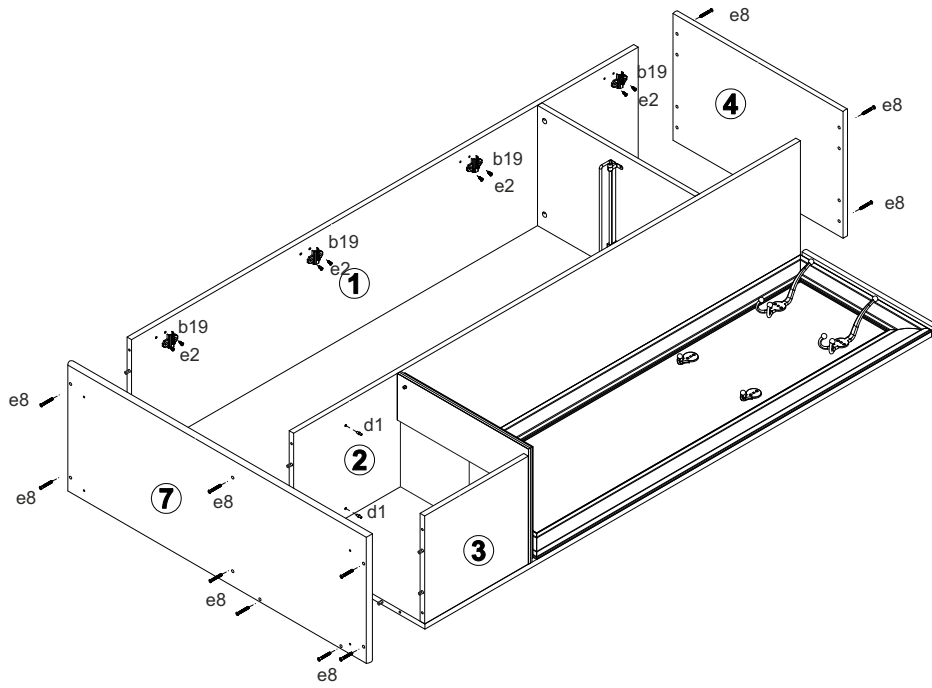
# 1



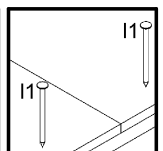
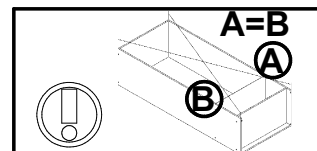
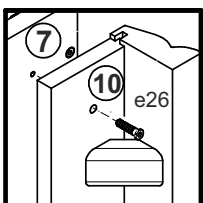
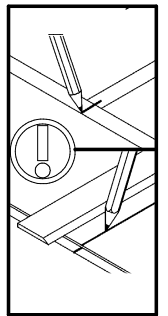
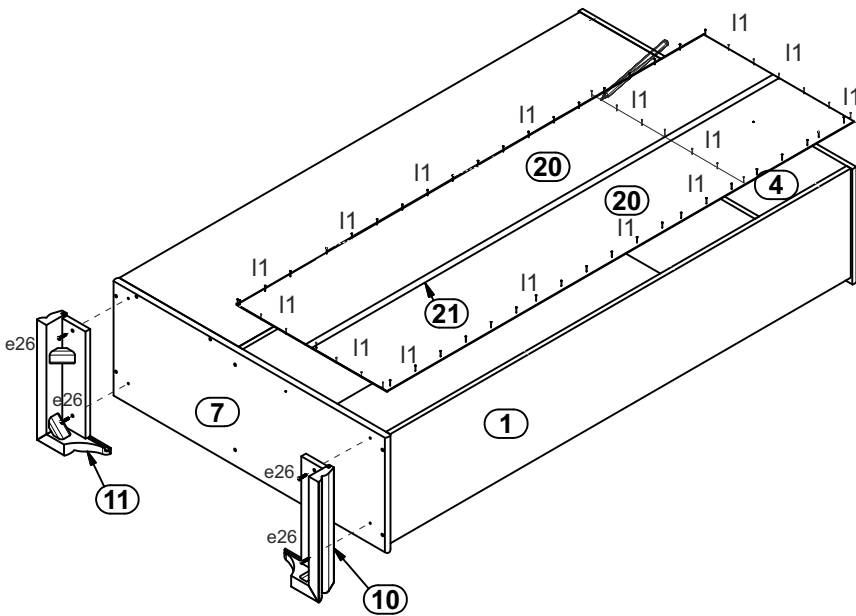
# 2



# 3



# 4



# 5

