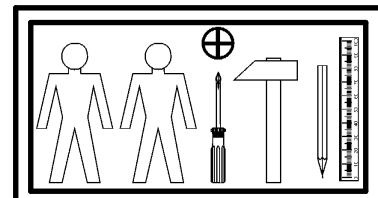
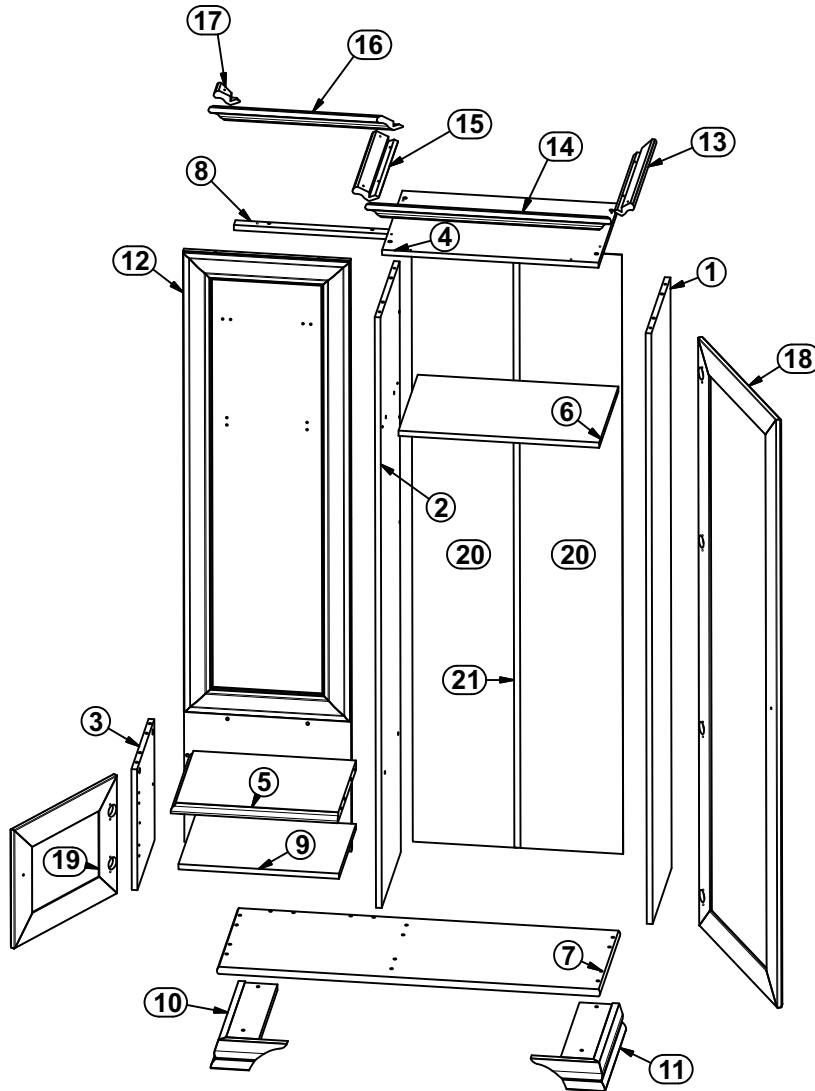
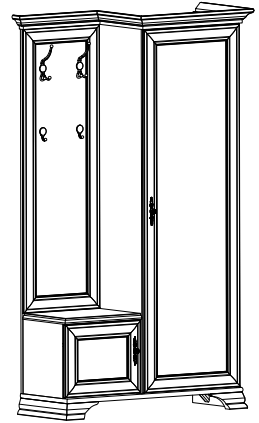


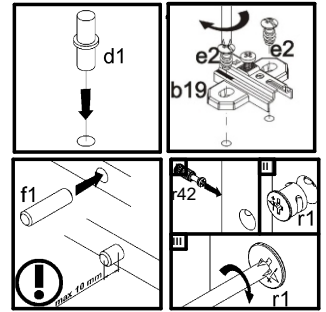
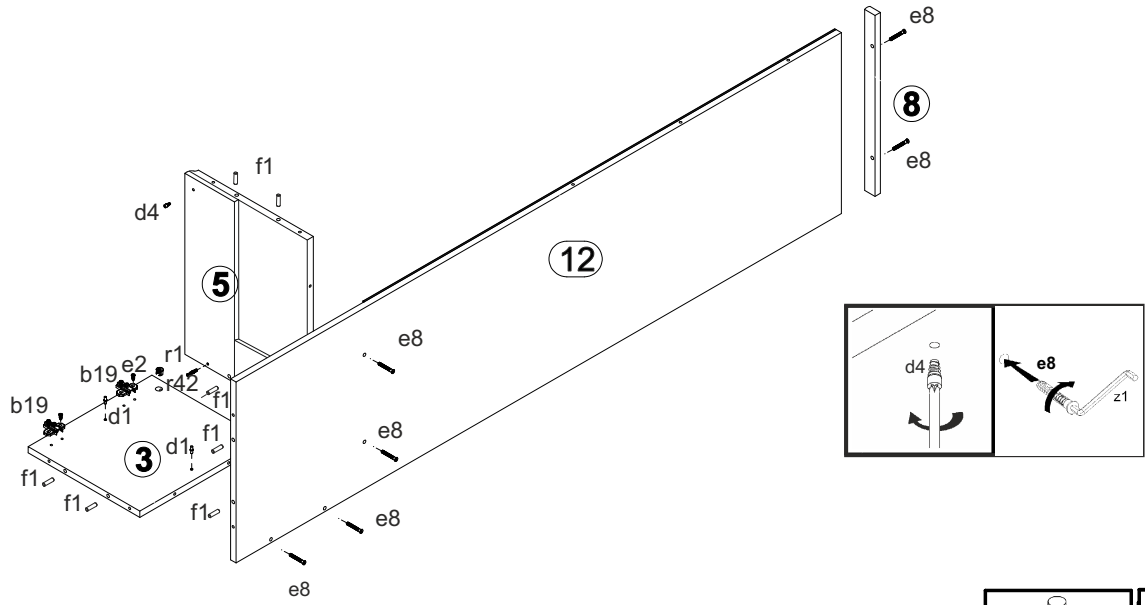
# S320-PPK/110(N)P

A	B	C	D	A	B	C	D		
1	S320-161N	1928	370	1/7	11	S320-514	408	210	5/7
2	S320-1163N	1928	370	1/7	12	S320-2253N	1928	466	2/7
3	S320-162	368	332	3/7	13	S320-590	433	80	4/7
4	S320-248	599	392	3/7	14	S320-585	681	80	4/7
5	S320-2250N	466	354	3/7	15	S320-591	433	80	4/7
6	S320-332A	555	370	3/7	16	S320-589	534	80	4/7
7	S320-254	1064	392	3/7	17	S320-526	64	80	4/7
8	S320-255	466	33	3/7	18	S320-0041/N	1920	581	7/7
9	S320-333	448	328	3/7	19	S320-0042	360	459	6/7
10	S320-513	408	210	5/7	20	S320-1937N	1954	291	1/7
					21	Lh-1922	1922	14	1/7

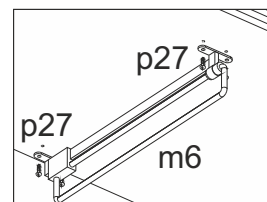
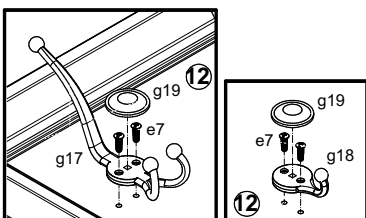
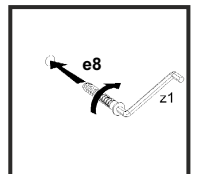
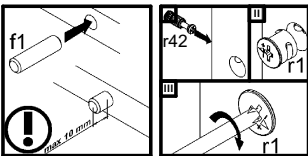
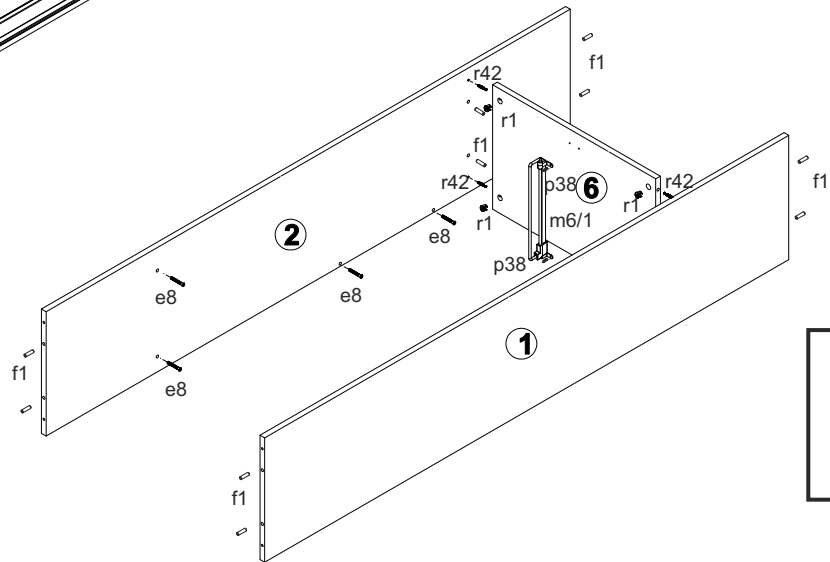
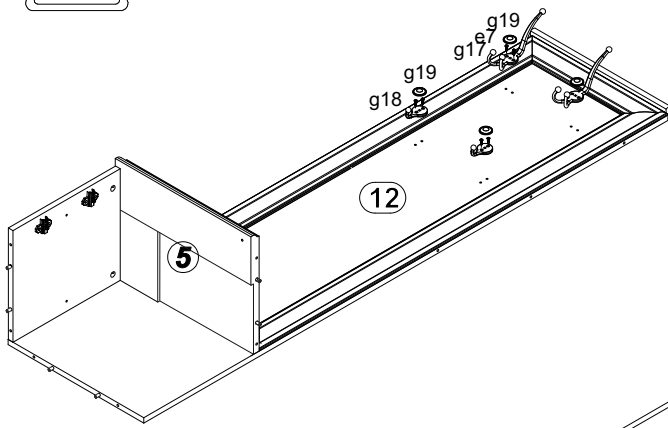


12x  φ6,3x13 mm e2	50x  l1	6x  φ1,5x12mm #16 r1	20x  φ8x30 mm f1	1шт.  L-300 m6/1	4x  φ3,5x16 mm p38	2x  c35/1	2x  c35/2
4шт.  x17 mm d1	4x  φ7,35 mm e26	23x  φ7x60 mm e8	8x  φ4x25 mm p8	4x  26x26x16/1 - 12° n40	8x  φ3x7 mm p46	2x  M4x30 mm j6	6x  a44
1шт.  x60 mm p17	1x  n26	1шт.  x50 mm f35	6x  ø16 s2	1x  φ3,5x16 mm p38	5шт.  s1	6x  DS b19	12x  φ3,5x15 mm p51
1шт.  z1	1x  φ6,3x15 mm d4	6x  r42	2x  g17	2x  g18	8x  φ6,3x16 mm e7	4x  g19	

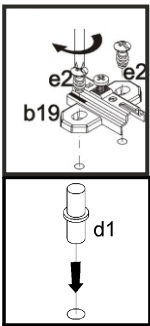
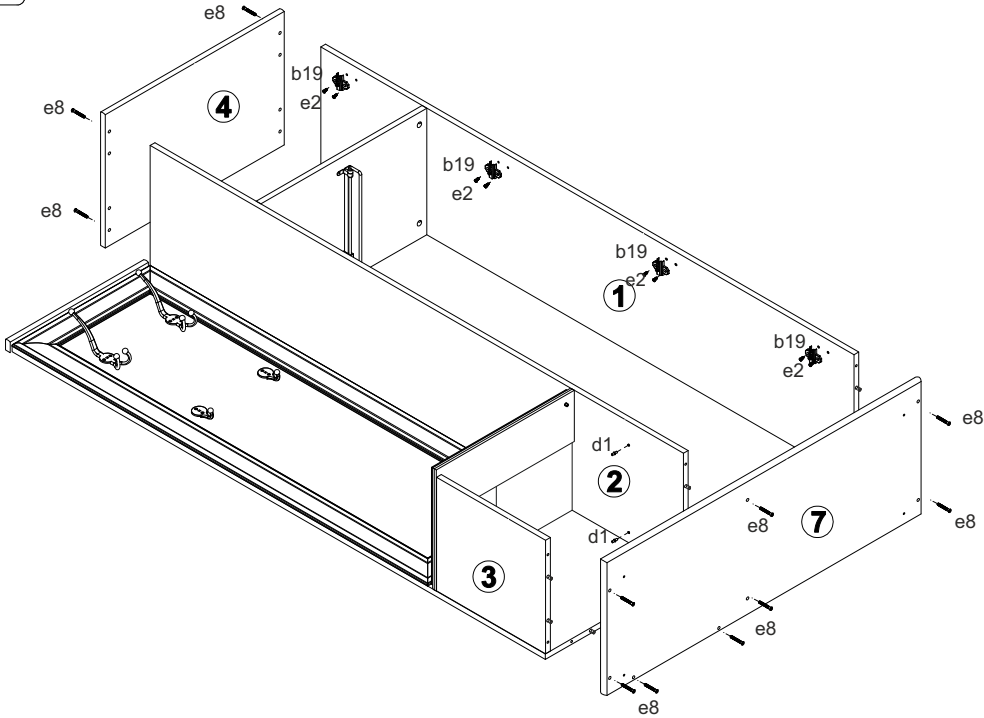
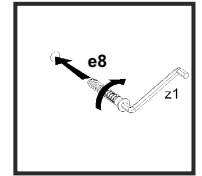
# 1



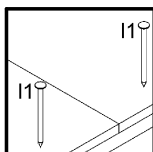
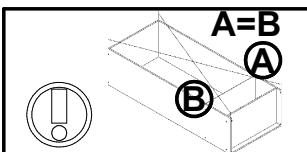
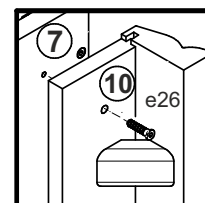
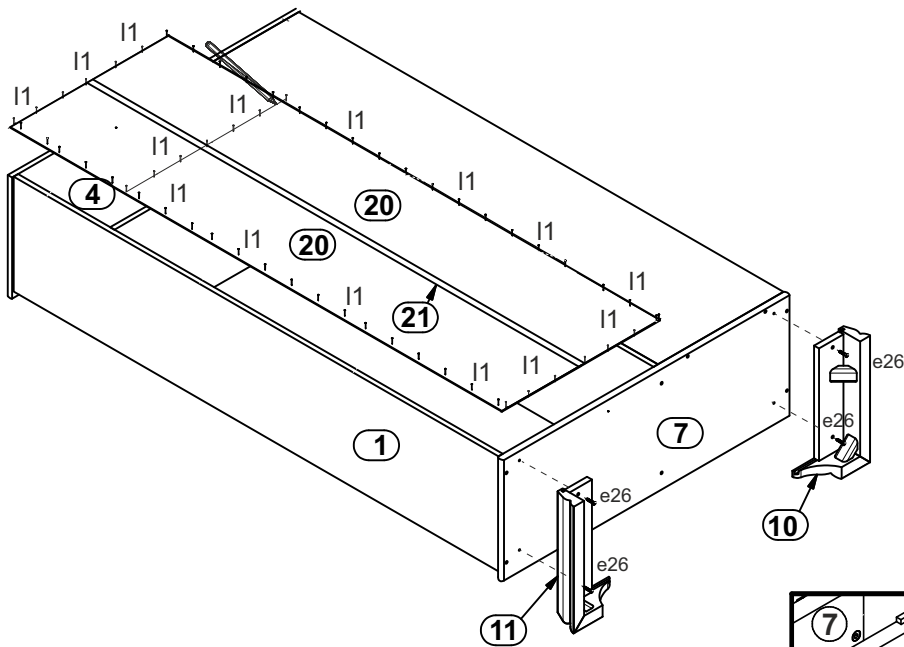
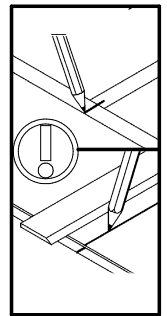
# 2



# 3



# 4



# 5

