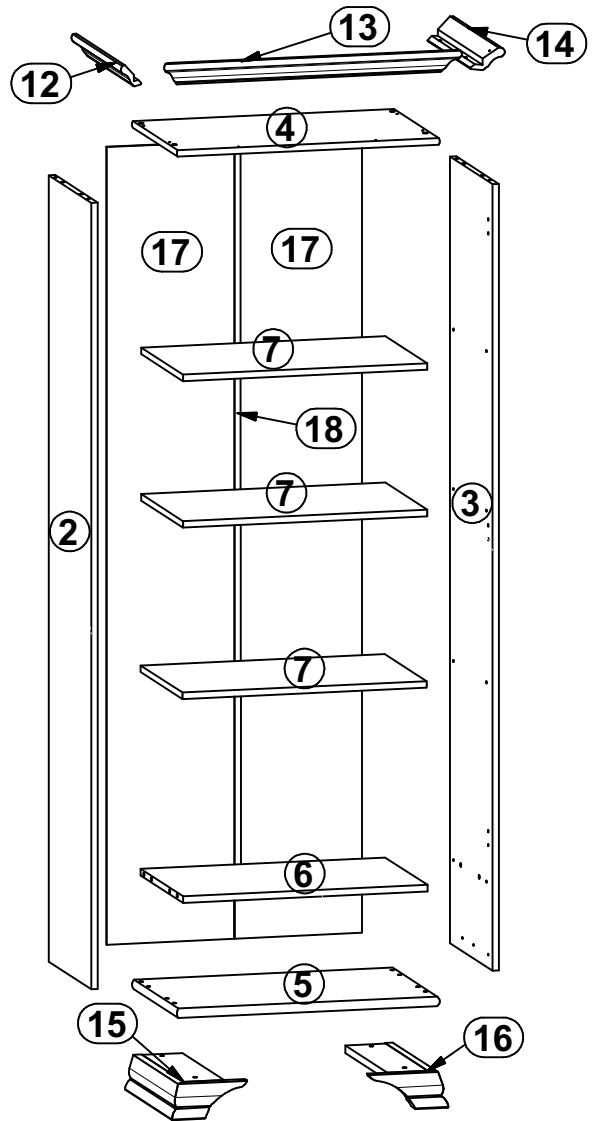
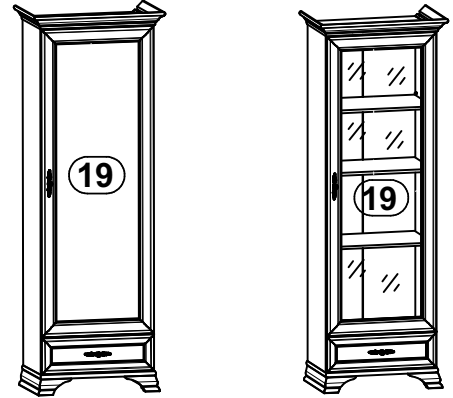


S320-REG1D1S(N) S320-REG1W1S(N)

A	B	C	D	
1	S320-0006N	596	188	6/6
2	S320-1107N	1928	370	1/6
3	S320-1108N	1928	370	1/6
4	S320-205	612	392	2/6
5	S320-206	612	392	2/6
6	S320-303	568	370	2/6
7	S320-304	567	366	2/6
8	S320-561N	350	120	2/6
9	S320-562N	350	120	2/6
10	S320-5541N	510	120	2/6
11	S320-907N	525	348	2/6
12	S320-509	433	80	3/6
13	S320-510	694	80	3/6
14	S320-511	433	80	3/6
15	S320-507	408	180	4/6
16	S320-508	408	180	4/6
17	S320-1906N	1954	297	1/6
18	Lh-1922	1922	14	1/6

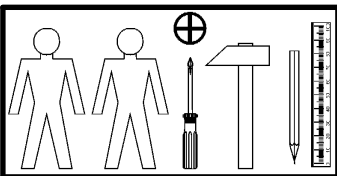
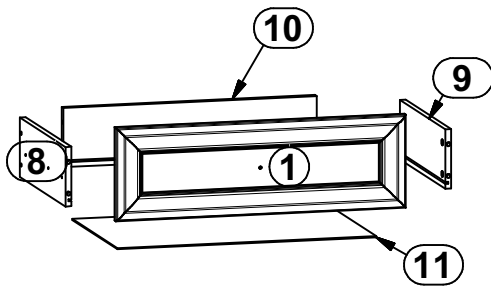


S320-REG1D1S(N)

A	B	C	D	
19	S320-0005N	1728	596	5/6

S320-REG1W1S(N)

A	B	C	D	
19	S320-0024/N	1728	596	5/6



3x  a44	3x  b19	12x  φ5x17 mm d1	8x  φ7x60 mm e8	6x  φ6,3x13 mm e2	4x  φ7x35 mm e26	6x  φ6x13 mm e3	14x  φ8x30 mm f1	6x  φ3,5x15 mm p51
4x  φ6,5x40 mm f25	1x  M4x18 mm j59	1x  M4x30 mm j6	60x  l1	2x  26x26x16/1 - 12° n40	2x  c35/2	2x  c35/1	4x  φ3x7 mm p46	1x  z1
8x  φ1,5x12mm #16 r1	6x  φ3,5x12 mm p140	8x  r42	6x  φ4x25 mm p8	2x  350 mm w207/1	2x  350 mm w207/2	1x  333 mm t19	2x  φ3,5x16 mm p25	
1x  n26/1	1x  φ3,5x16 mm p38	4x  ø16 s2	6x  ø5 s4	1шт.  x50 mm f35	1шт.  x60 mm p17			



