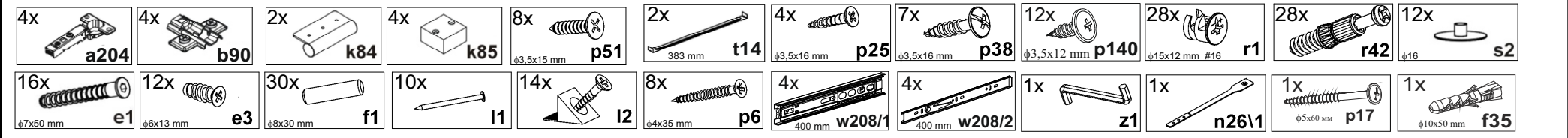
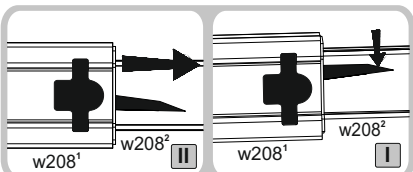
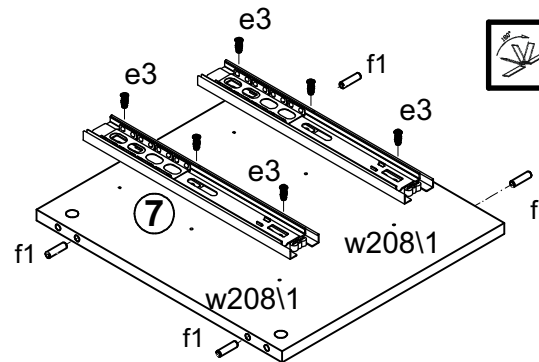
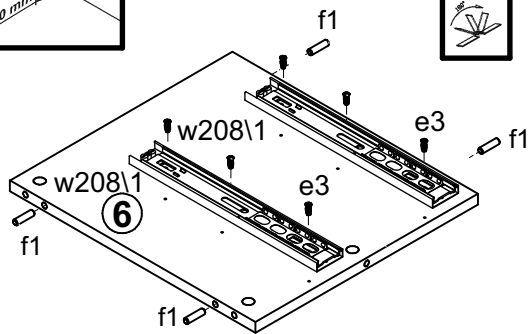
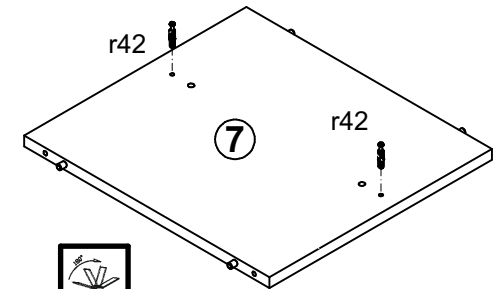
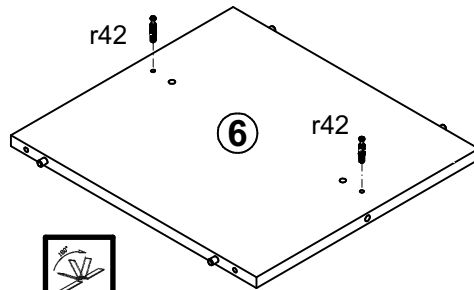
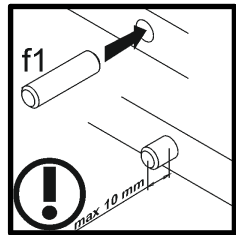
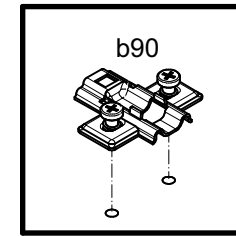
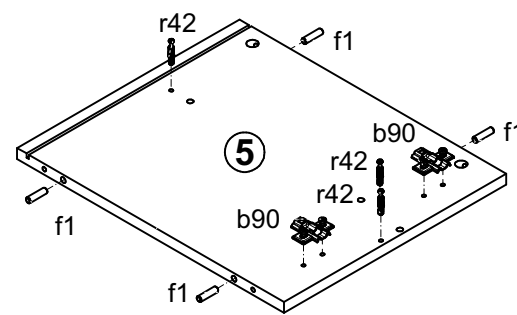
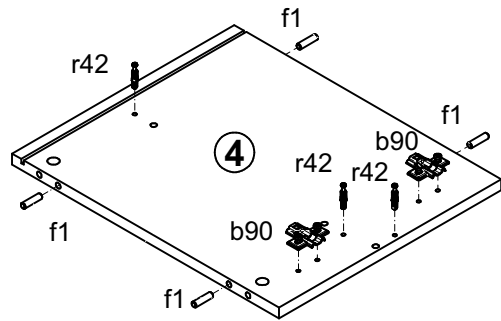
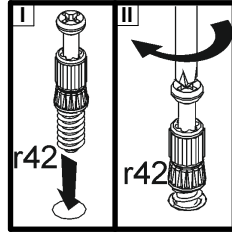


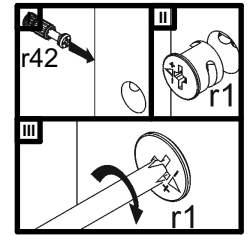
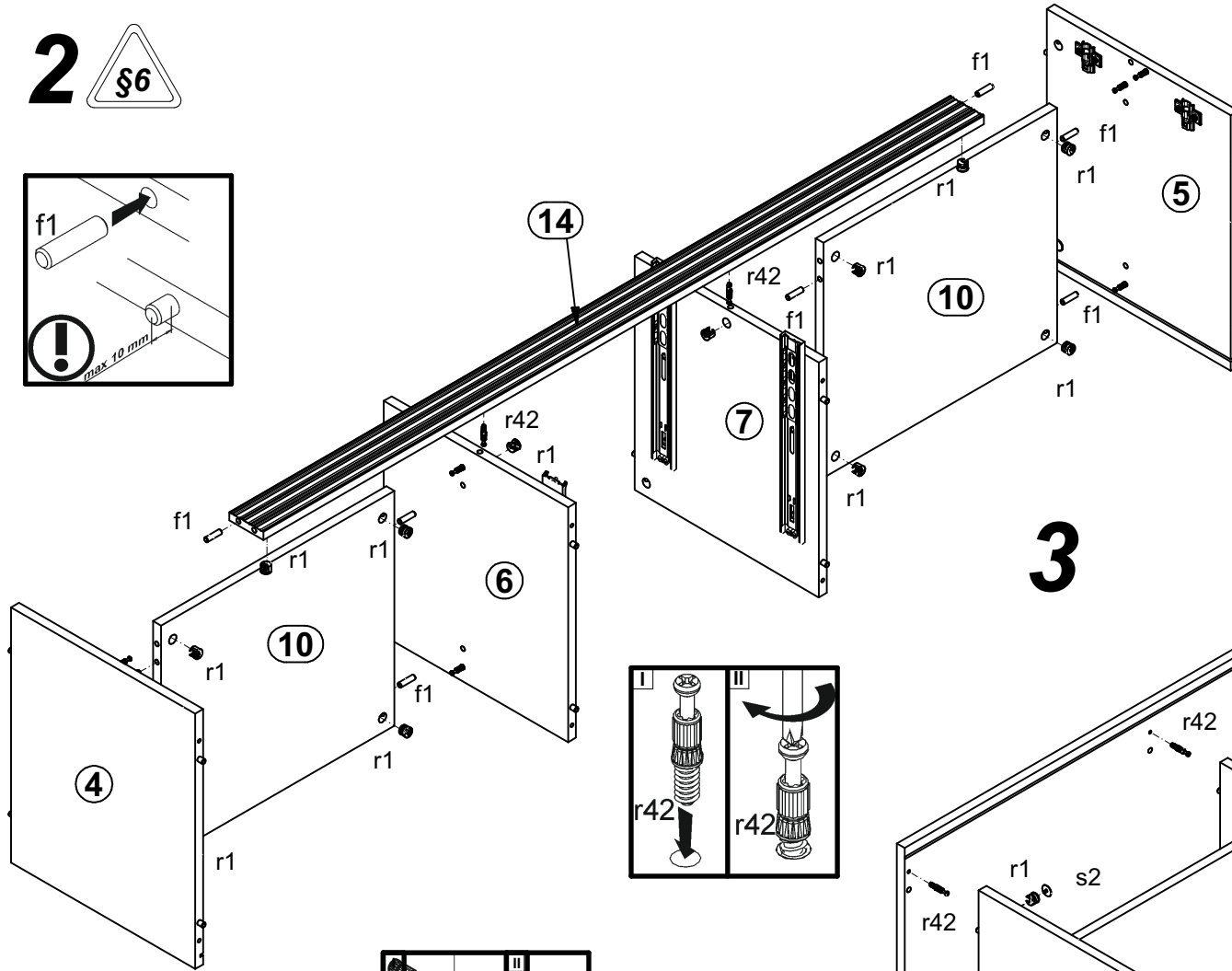
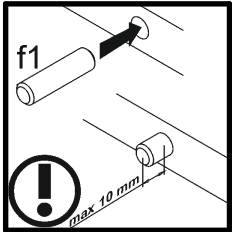
A	B	C (mm)		D
1	S205-012	403	496	2/2
2	S205-0013	175	496	2/2
3	S205-0014	175	496	2/2
4	S205-113	375	450	1/2
5	S205-114	375	450	1/2
6	S205-1115	375	414	1/2
7	S205-1116	375	414	1/2
8	S205-210	1500	450	1/2
9	S205-211	1500	450	1/2
10	S205-304	475	414	1/2
11	S205-5505	400	105	1/2
12	S205-5506	400	105	1/2
13	S205-5507	444	105	1/2
14	S205-573	1467	70	1/2
15	S205-9905	436	400	1/2
16	S205-906	1477	385	1/2



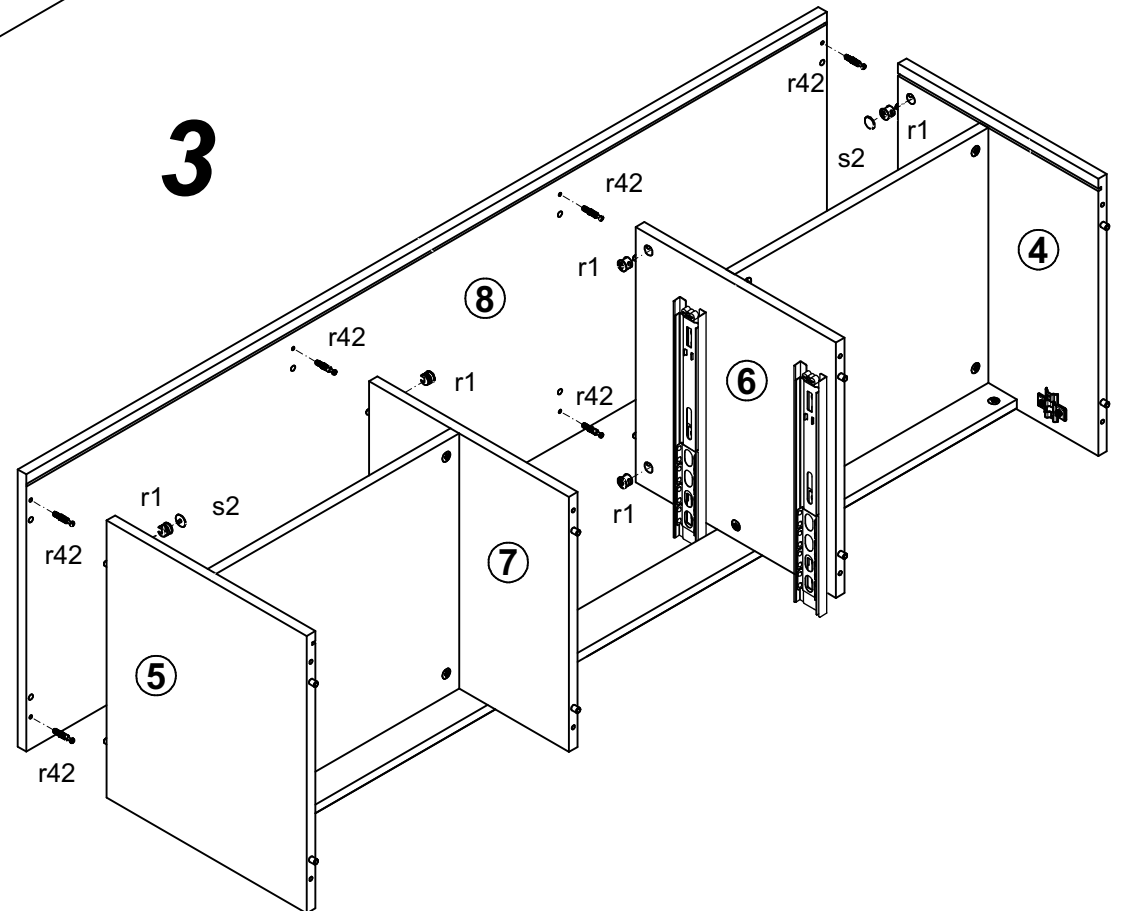
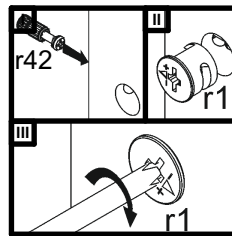
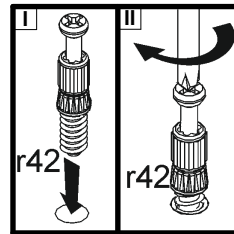
1 



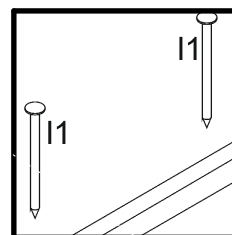
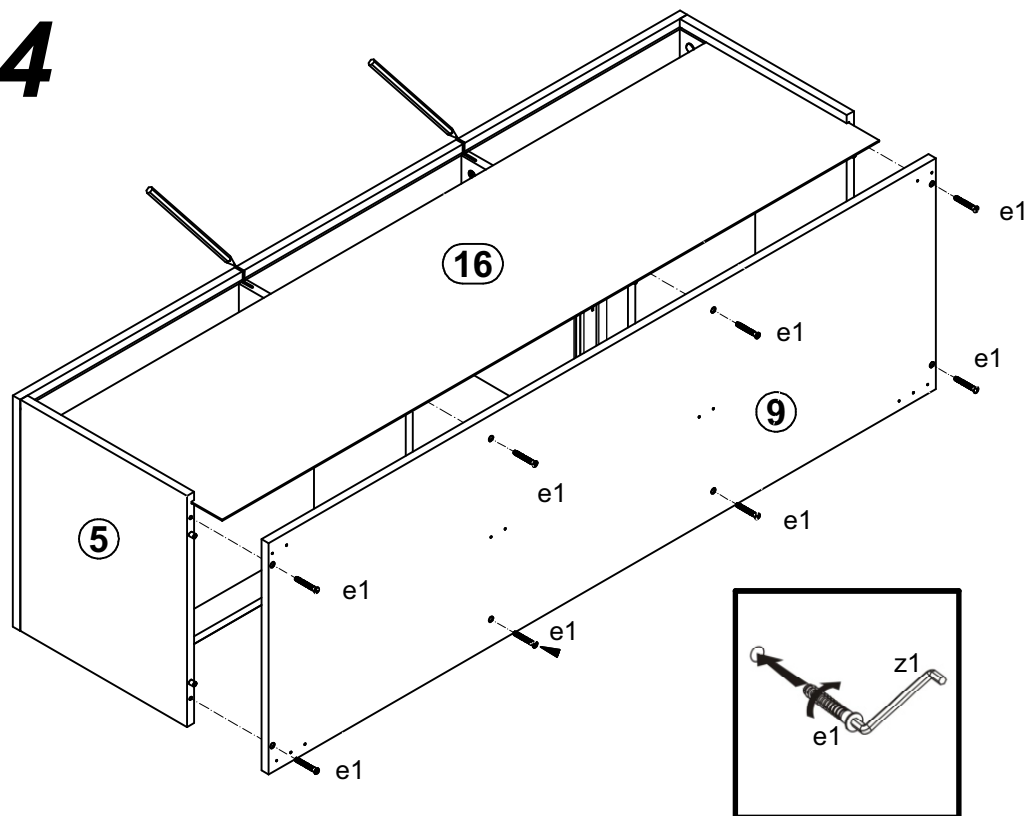
2 



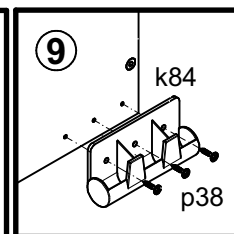
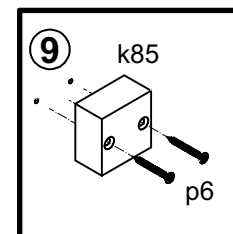
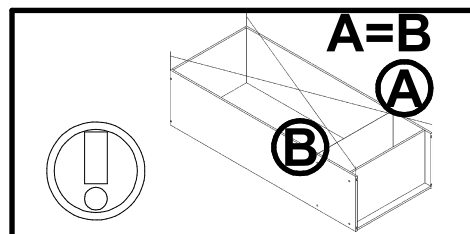
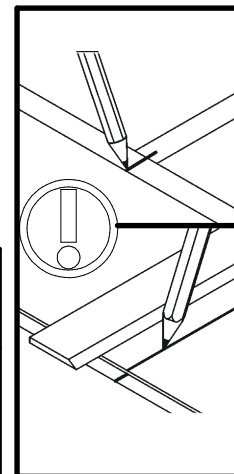
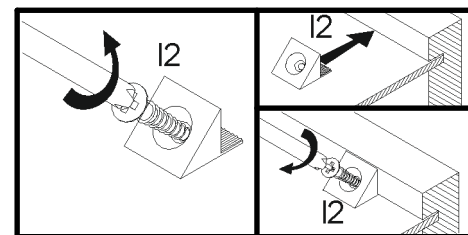
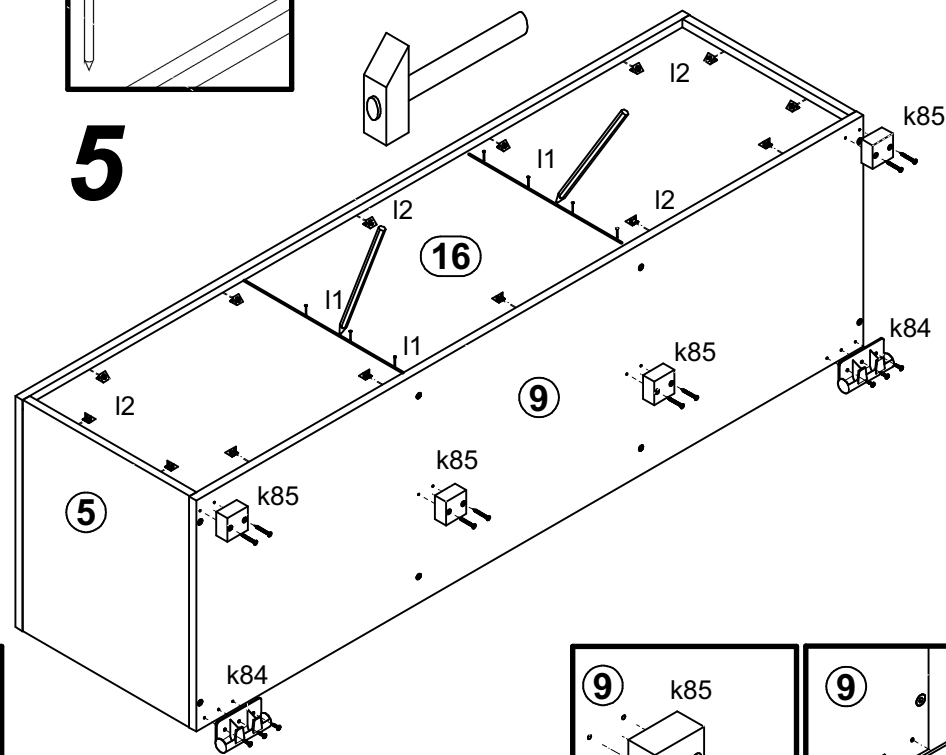
3



4

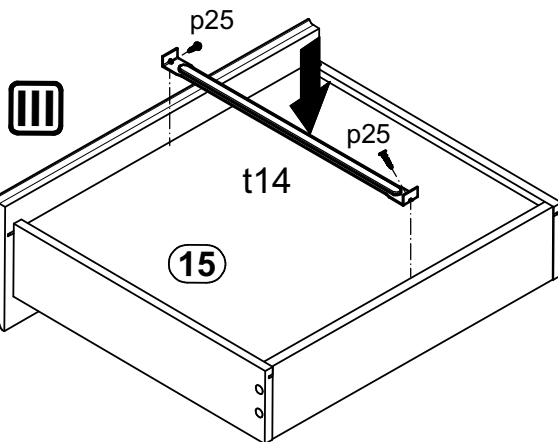
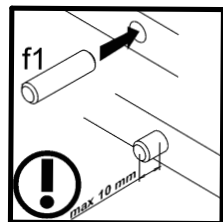
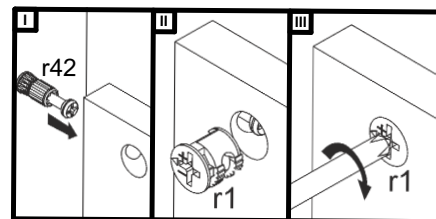
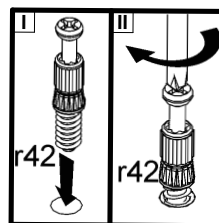
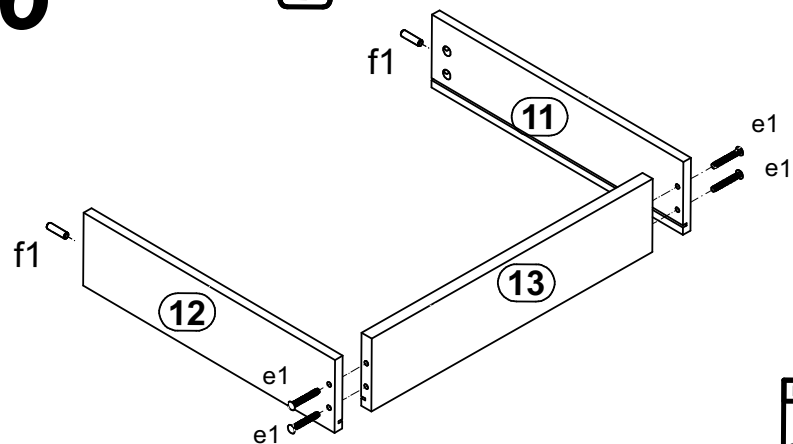


5



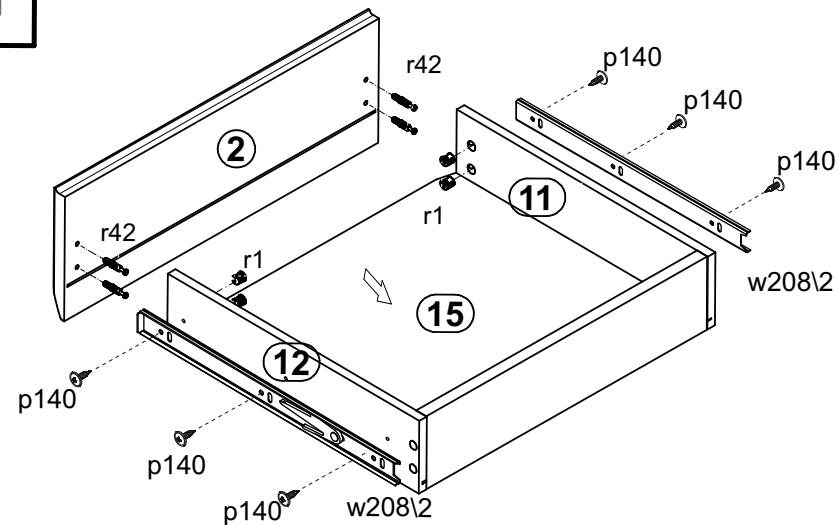
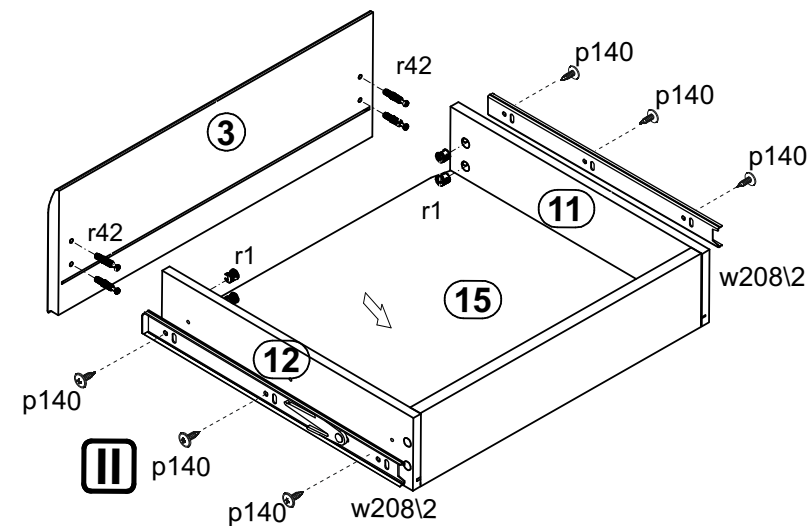
6

I

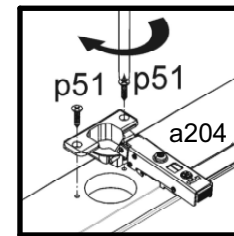
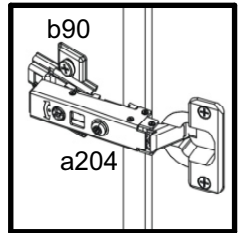
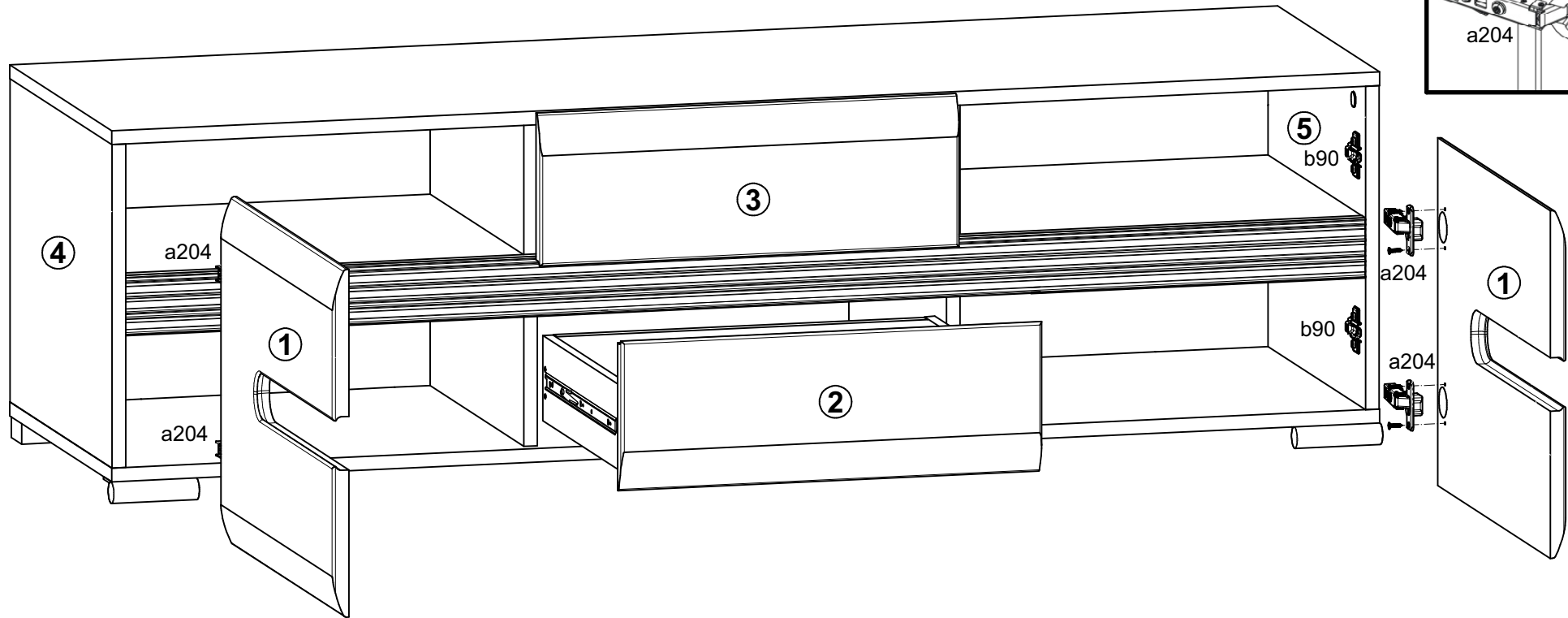


III

II



7



8

