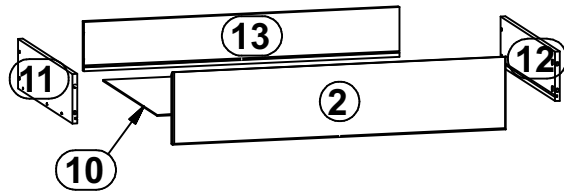
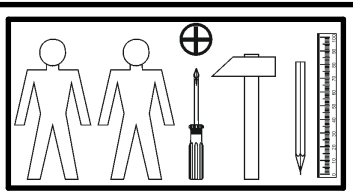
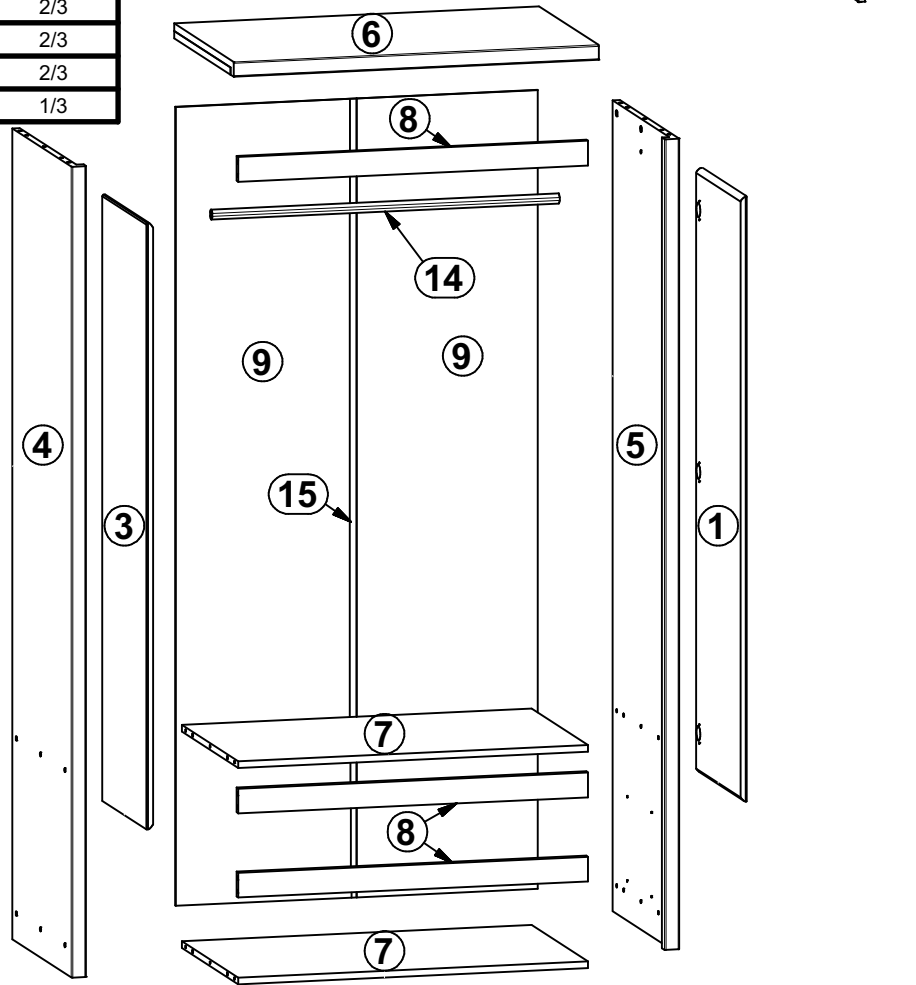
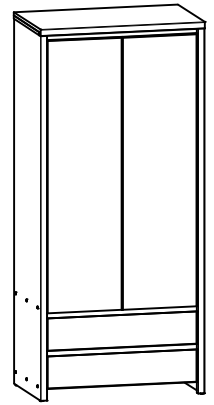


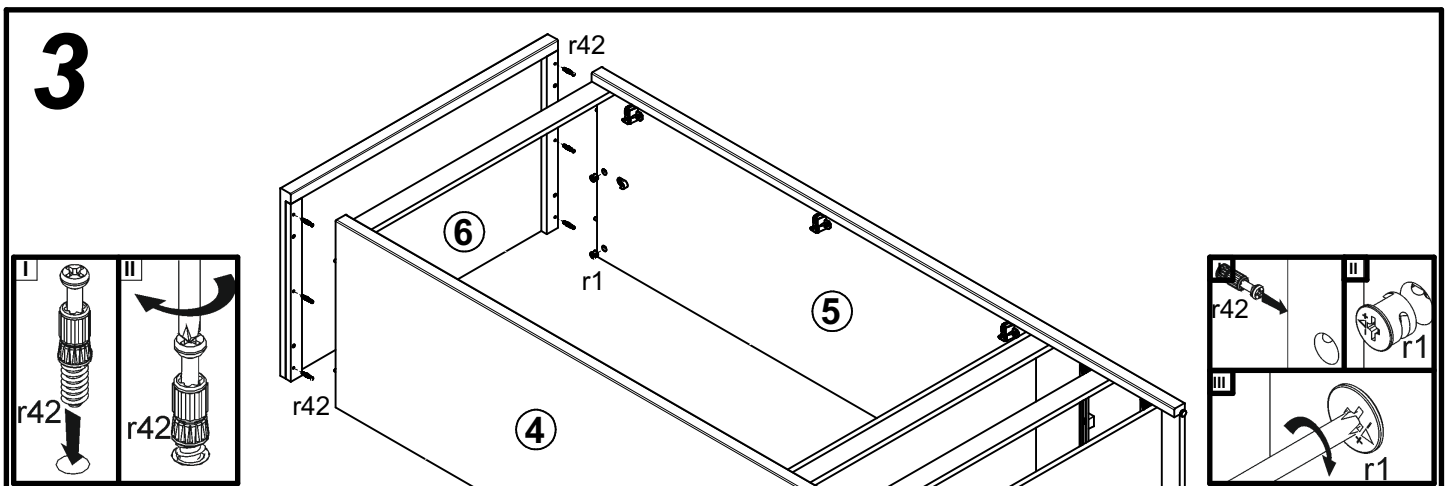
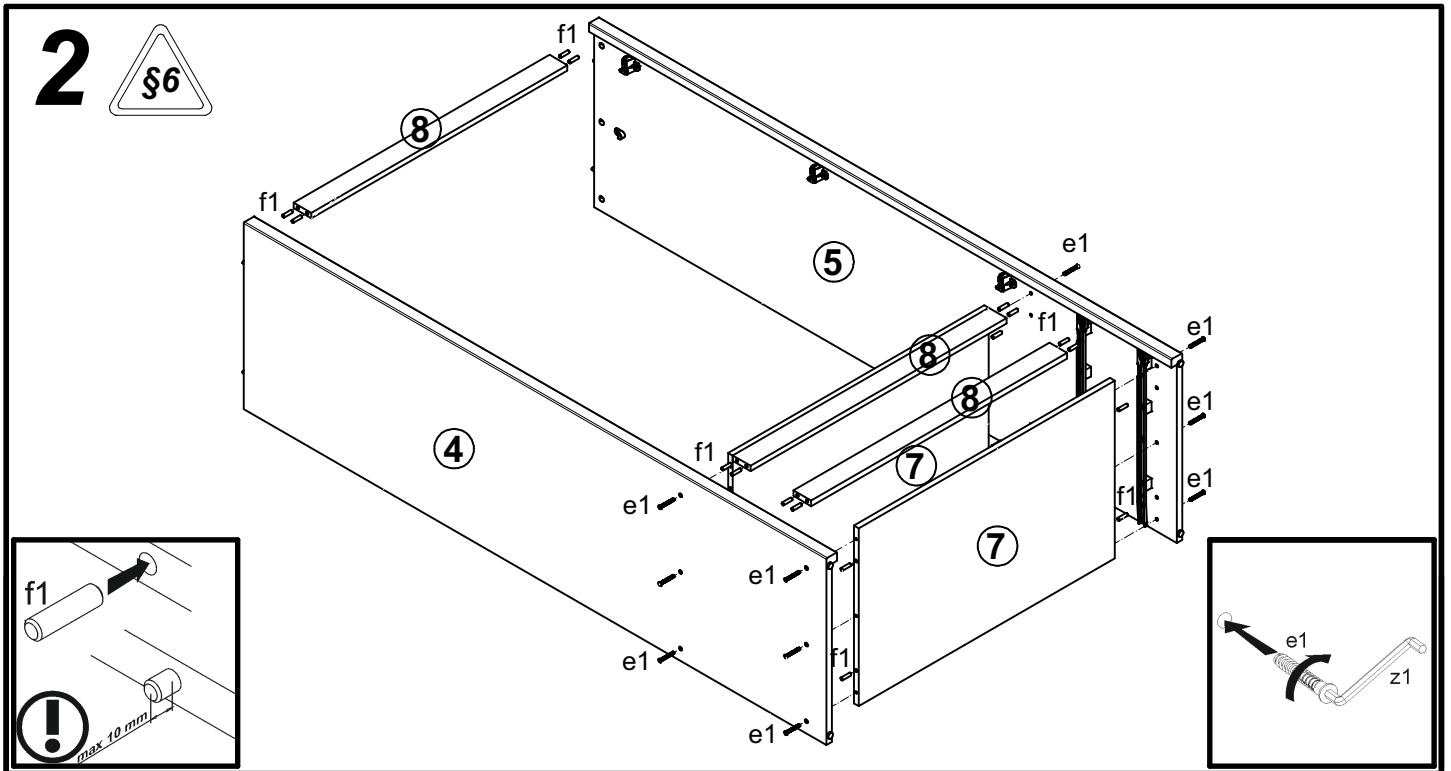
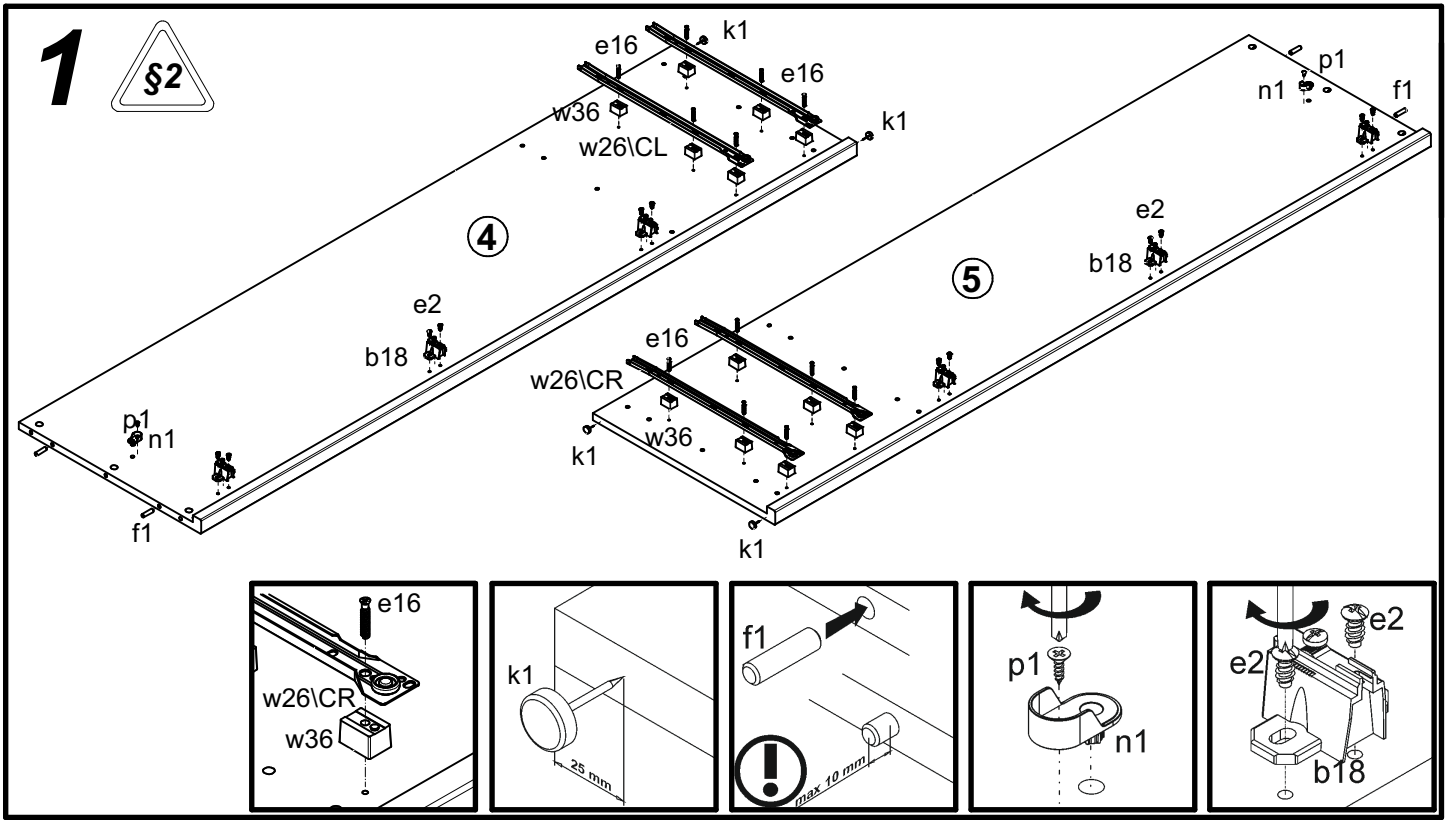
KASPIAN 2

SZF2D2S

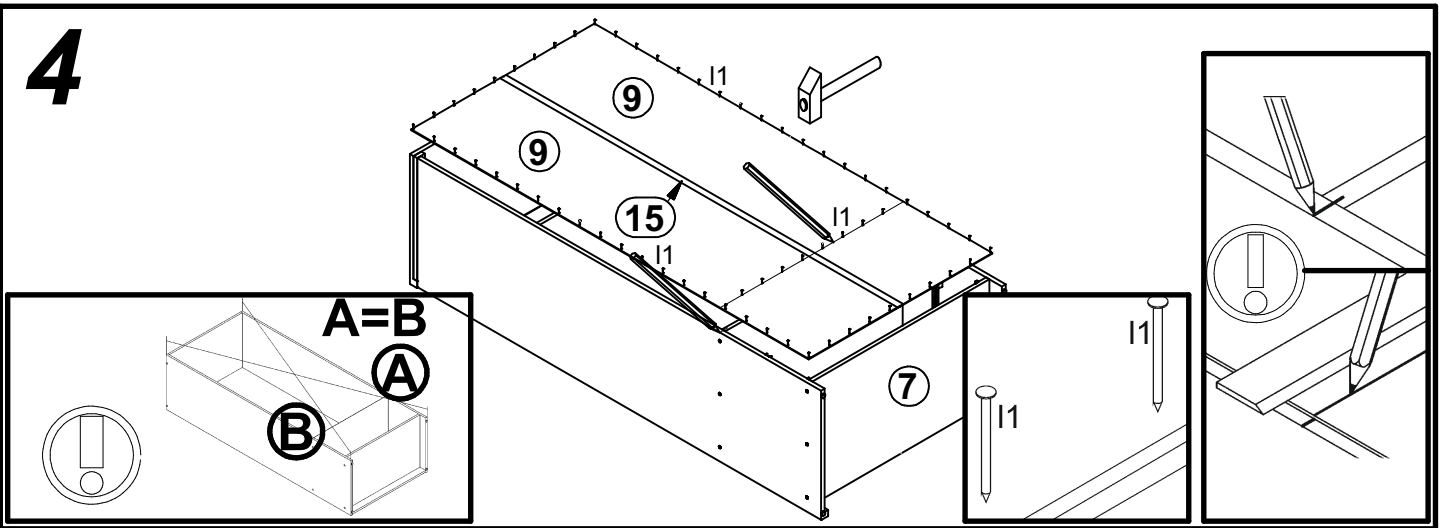
| A | B | C | | D |
|----|-------------|------|-----|-----|
| 1 | S128-0001 | 1468 | 410 | 3/3 |
| 2 | S128-0002 | 822 | 176 | 3/3 |
| 3 | S128-0007 | 1468 | 410 | 3/3 |
| 4 | S128-103 | 1964 | 546 | 1/3 |
| 5 | S128-104 | 1964 | 546 | 1/3 |
| 6 | S128-202-01 | 900 | 549 | 2/3 |
| 7 | S128-303 | 863 | 520 | 2/3 |
| 8 | S128-401 | 863 | 60 | 2/3 |
| 9 | S128-1902 | 1935 | 446 | 1/3 |
| 10 | S128-9903 | 780 | 498 | 1/3 |
| 11 | BP-501 | 500 | 120 | 2/3 |
| 12 | BP-502 | 500 | 120 | 2/3 |
| 13 | ZP-5503 | 770 | 120 | 2/3 |
| 14 | dr-857 | 857 | 22 | 2/3 |
| 15 | Lh-1905 | 1905 | 14 | 1/3 |



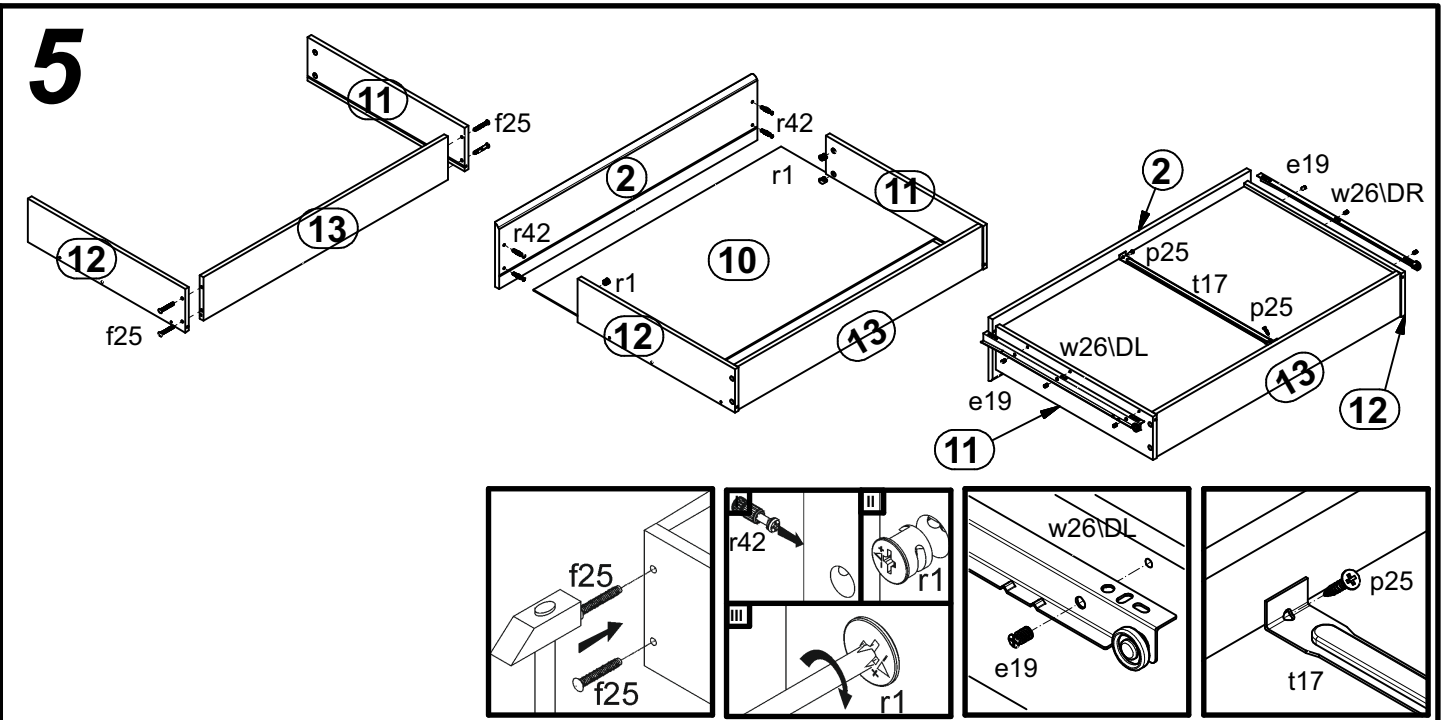
| | | | | | | | | |
|------------------|----------------------|----------------------------------|-----------------------------------|------------------------------------|---------------------------------------|---------------------------------|-----------------------------------|--------------------|
| 6x a43 | 6x b18 | 12x $\phi 7 \times 50$ mm e1 | 12x $\phi 6 \times 30$ mm e16 | 12x $\phi 5 \times 9$ mm e19 | 12x $\phi 6,3 \times 13$ mm e2 | 24x $\phi 8 \times 30$ mm f1 | 8x $\phi 6,5 \times 40$ mm f25 | 4x k1 |
| 64x l1 | 2x n1 | 2x $\phi 3,5 \times 13$ mm p1 | 4x $\phi 3,5 \times 16$ mm p25 | 12x $\phi 3,5 \times 15$ mm p51 | 14x $\phi 1,5 \times 12$ mm #16 r1 | 14x r42 | 12x s1 | 6x $\phi 16$ s2 |
| 2x 483 mm t17 | 2x 500 mm w26\ICL | 2x 500 mm w26\ICR | 2x 500 mm w26\IDL | 2x 500 mm w26\IDR | 12x h=18 mm w36 | 1x n26\I1 | 1x $\phi 3,5 \times 16$ mm p38 | 1x z1 |



4



5



6

