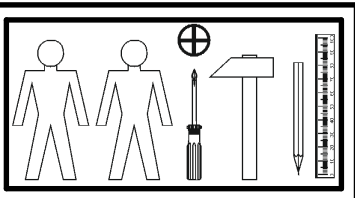
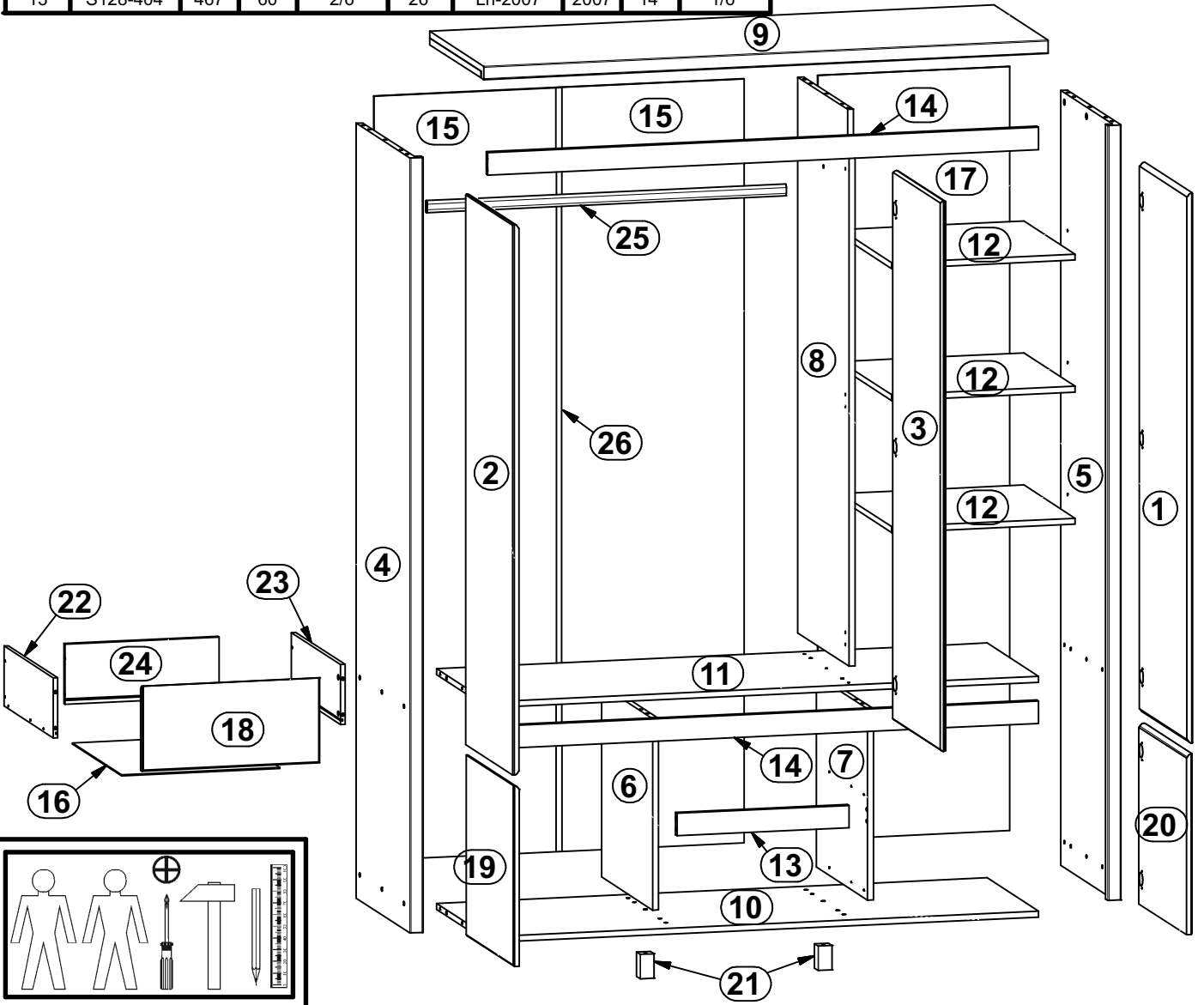
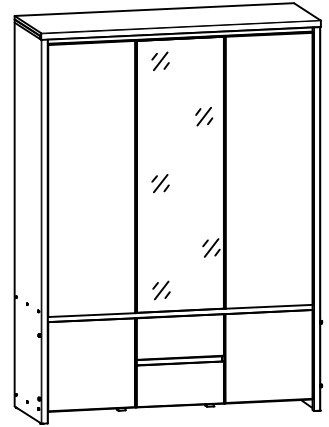


KASPIAN 2

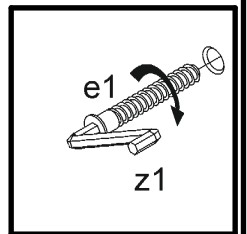
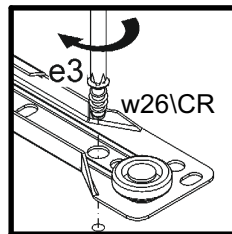
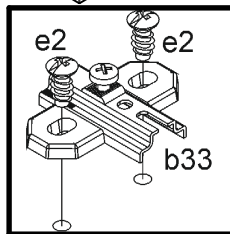
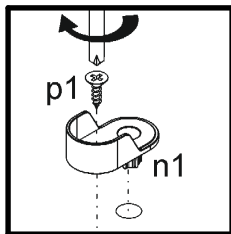
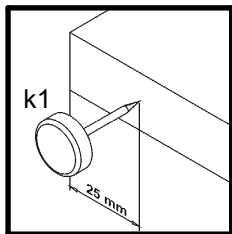
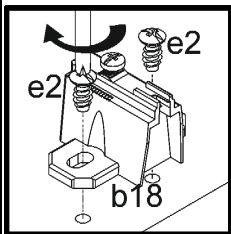
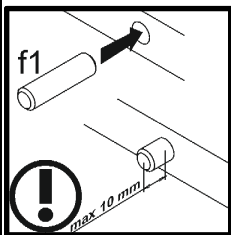
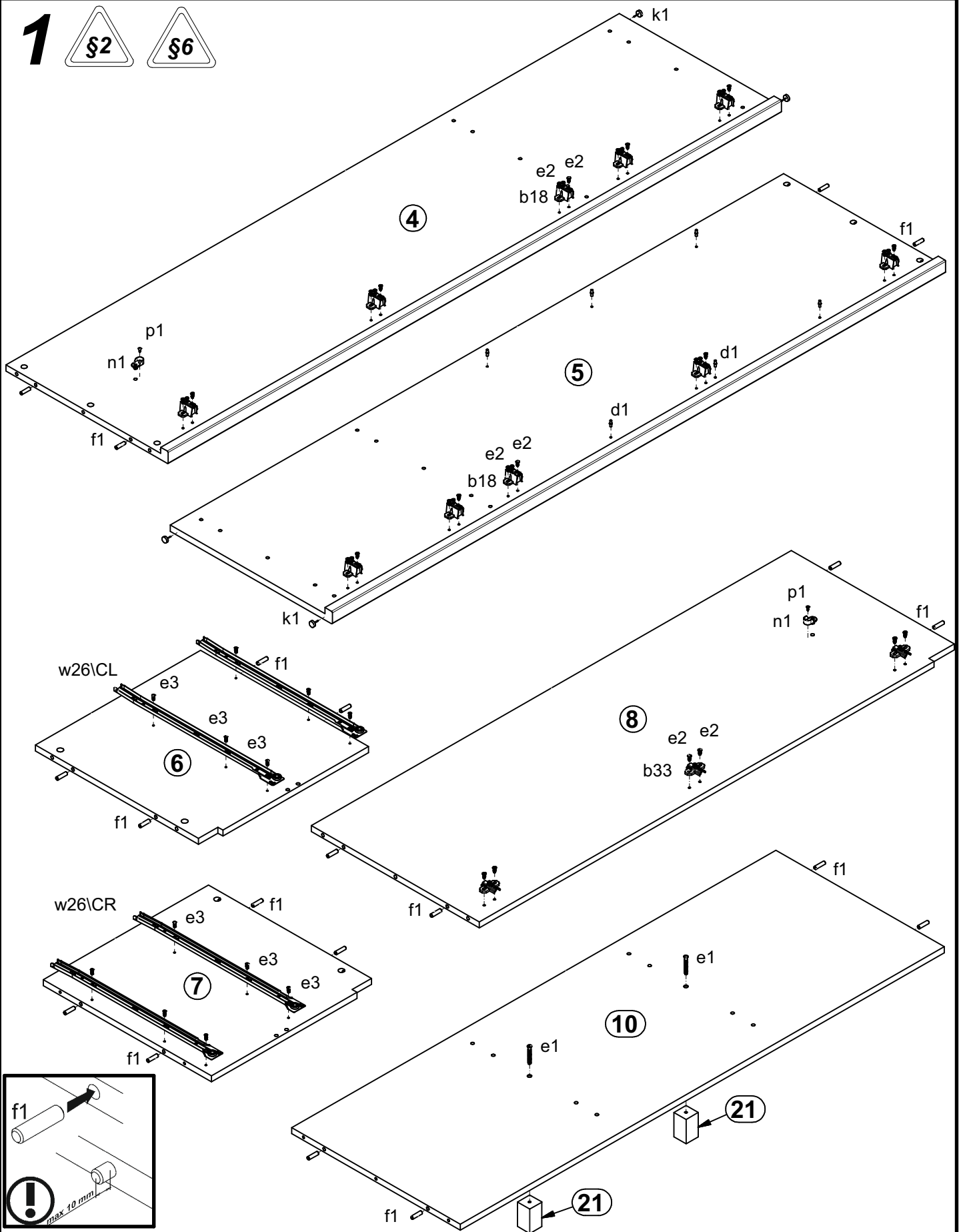
S128-SZF5D2S

A	B	C	D	A	B	C	D		
1	S128-0011	1468	482	5/6	14	S128-407	1495	60	2/6
2	S128-0012	1468	482	5/6	15	S128-1907	2037	502	1/6
3	S128-0013A	1468	482	6/6	16	S128-9913	420	498	2/6
4	S128-117	2066	546	1/6	17	S128-914	2037	521	1/6
5	S128-118	2066	546	1/6	18	S128-071	482	227	4/6
6	S128-119	510	519	3/6	19	S83-011	482	482	4/6
7	S128-120	510	519	3/6	20	S83-012	482	482	4/6
8	S128-121	1482	519	2/6	21	ZN1-501	65	38	2/6
9	S128-207	1532	549	2/6	22	BP-505	500	160	3/6
10	S128-310	1495	520	2/6	23	BP-506	500	160	3/6
11	S128-311	1495	520	2/6	24	ZP-5506	410	160	3/6
12	S128-312	498	518	3/6	25	dr-975	975	30	2/6
13	S128-404	467	60	2/6	26	Lh-2007	2007	14	1/6

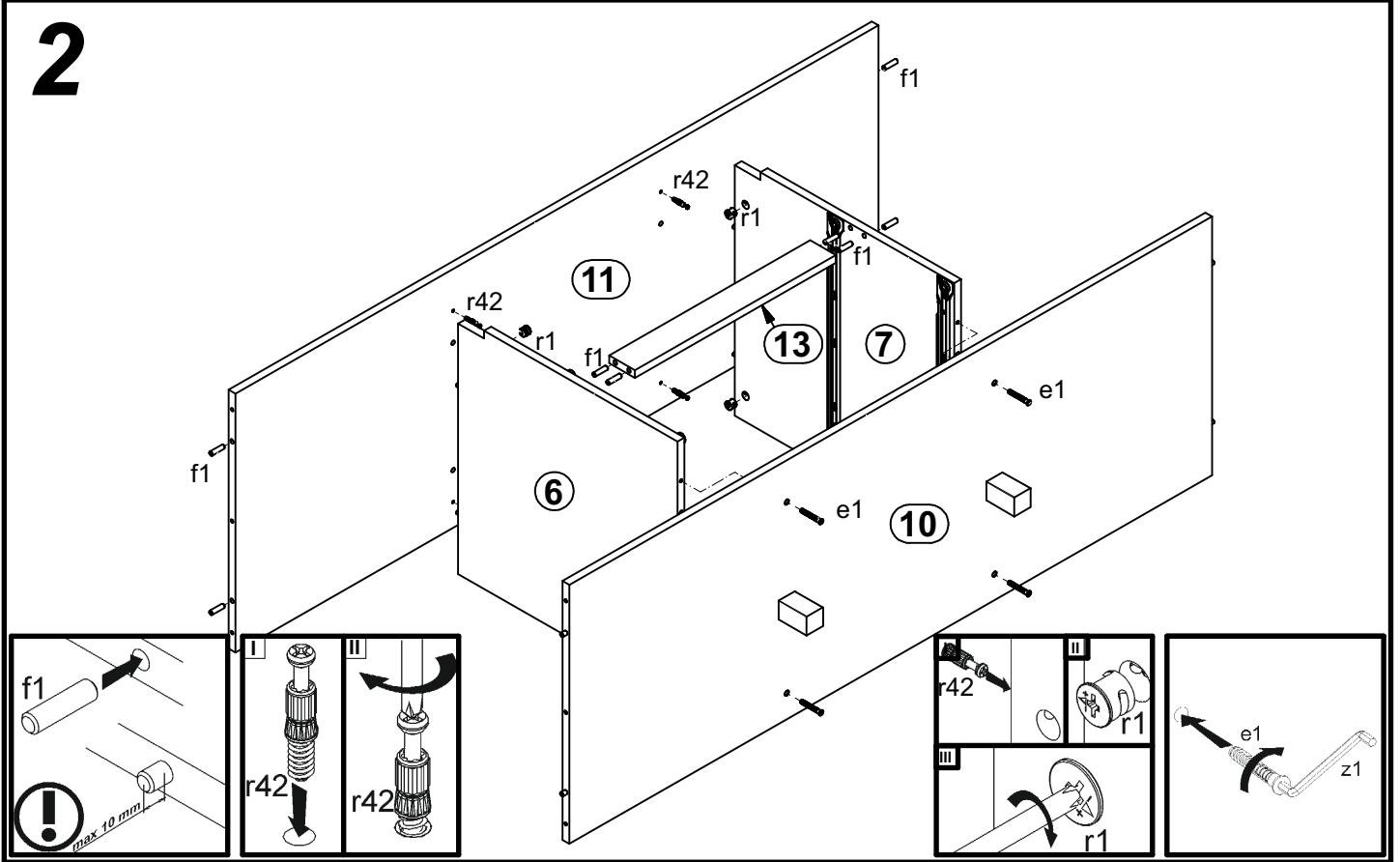


10x a43	3x a68	10x b18	3x b33	12x φ8x17 mm d1	18x φ7x50 mm e1	12x φ5x9 mm e19	26x φ6,3x13 mm e2	12x φ6x13 mm e3
36x φ8x30 mm f1	8x φ6,5x40 mm f25	4x k1	125 l1	2x n1	2x φ3,5x13 mm p1	26x φ3,5x15 mm p51	24x φ15x12 mm #16 r1	24x r42
2x 500 mm w26\CL	2x 500 mm w26\CR	2x 500 mm w26\DL	2x 500 mm w26\DR	12x s1	12x φ16 s2	1x z1	1x n26\1	1x φ3,5x16 mm p38

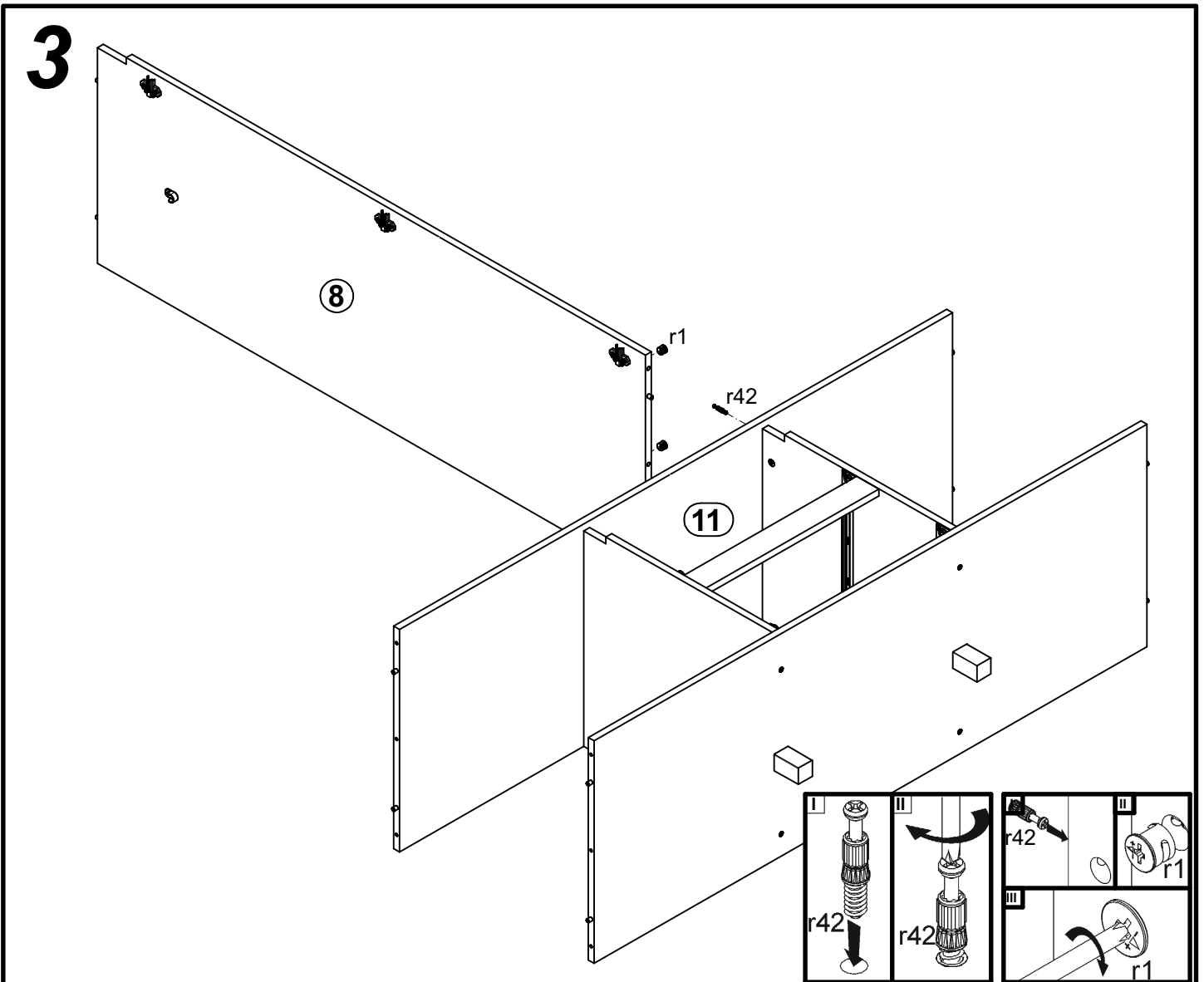
1



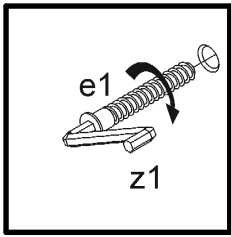
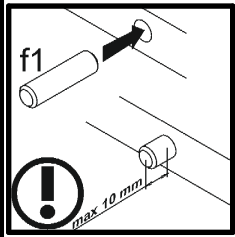
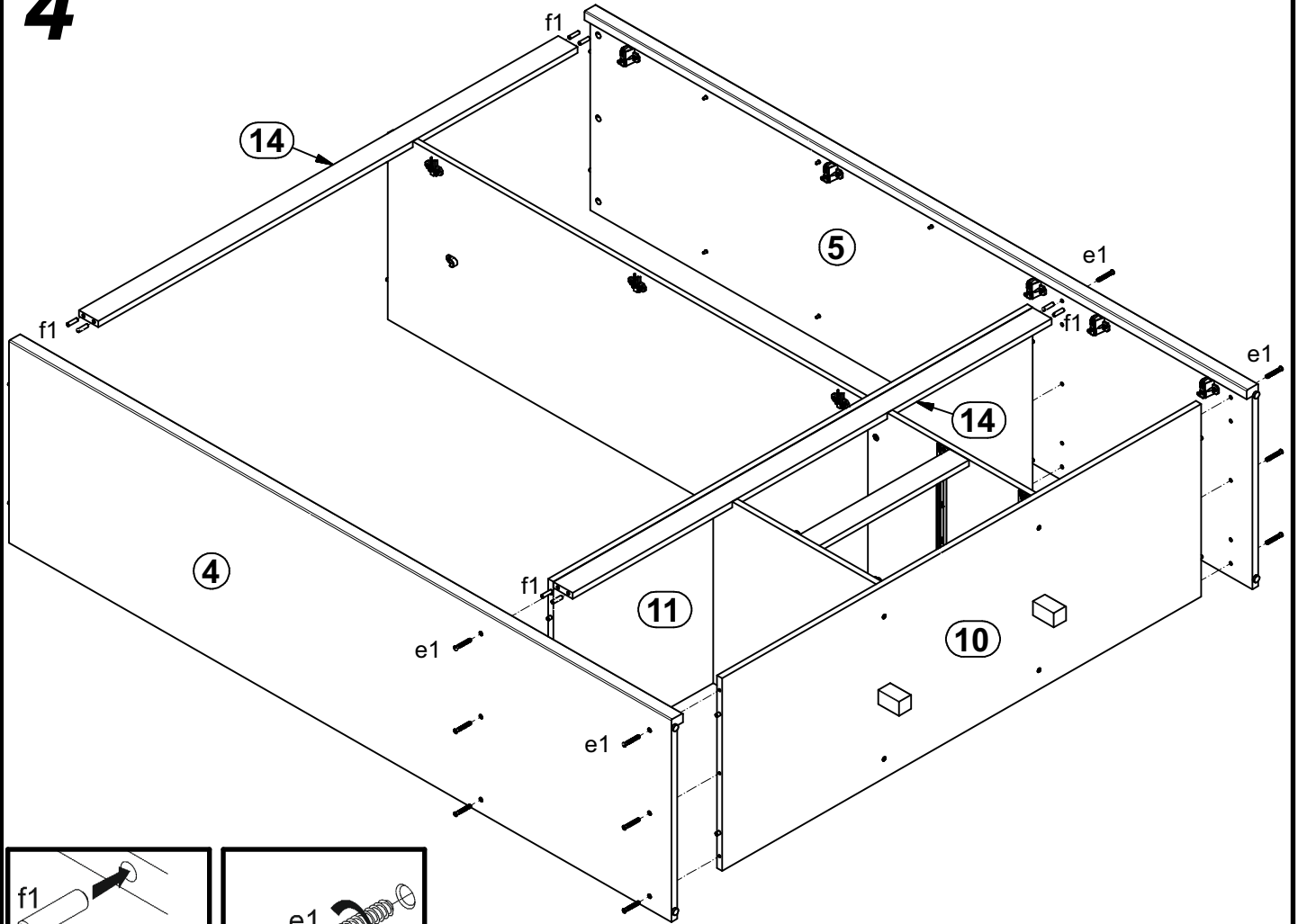
2



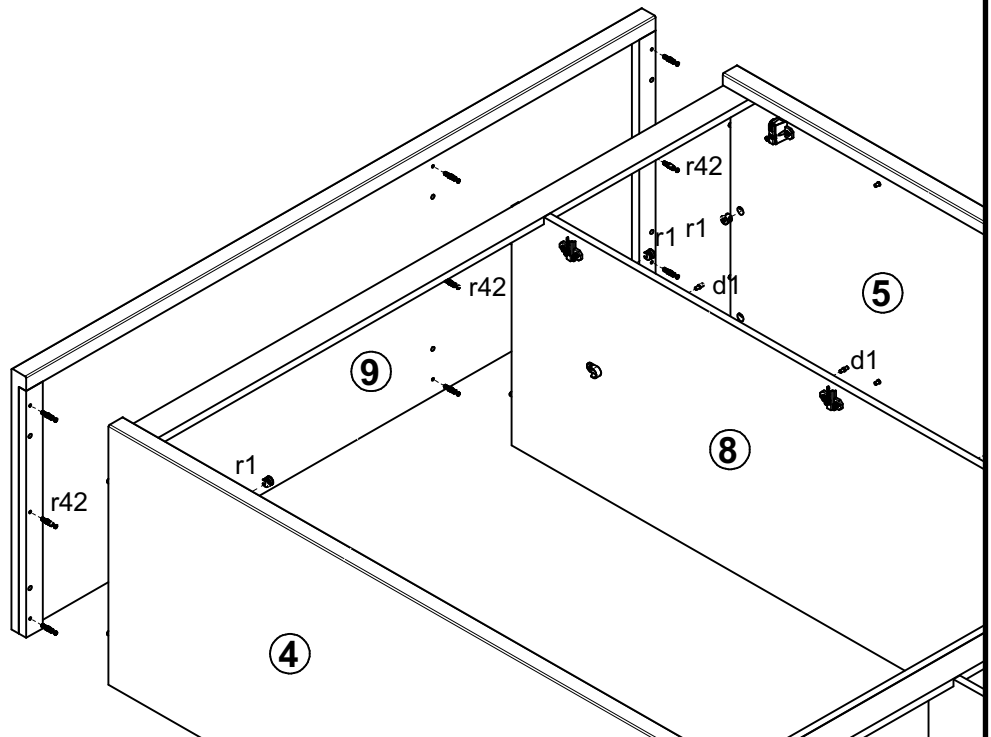
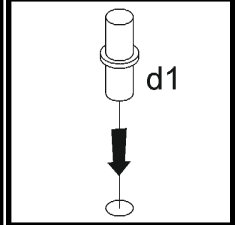
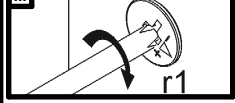
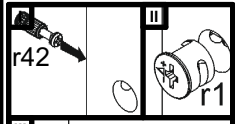
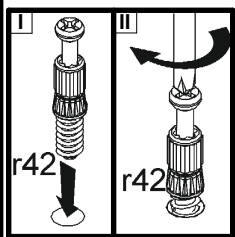
3



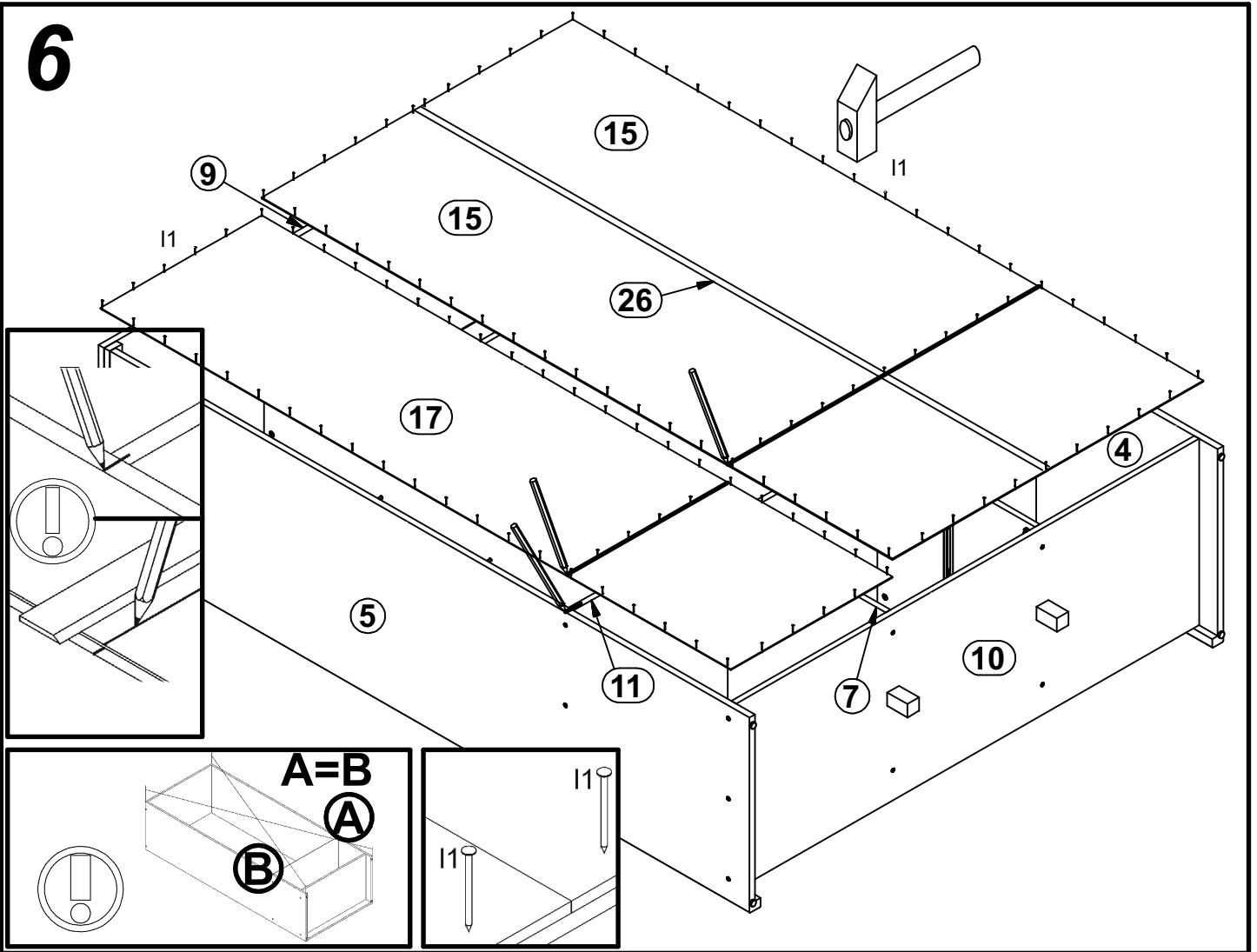
4



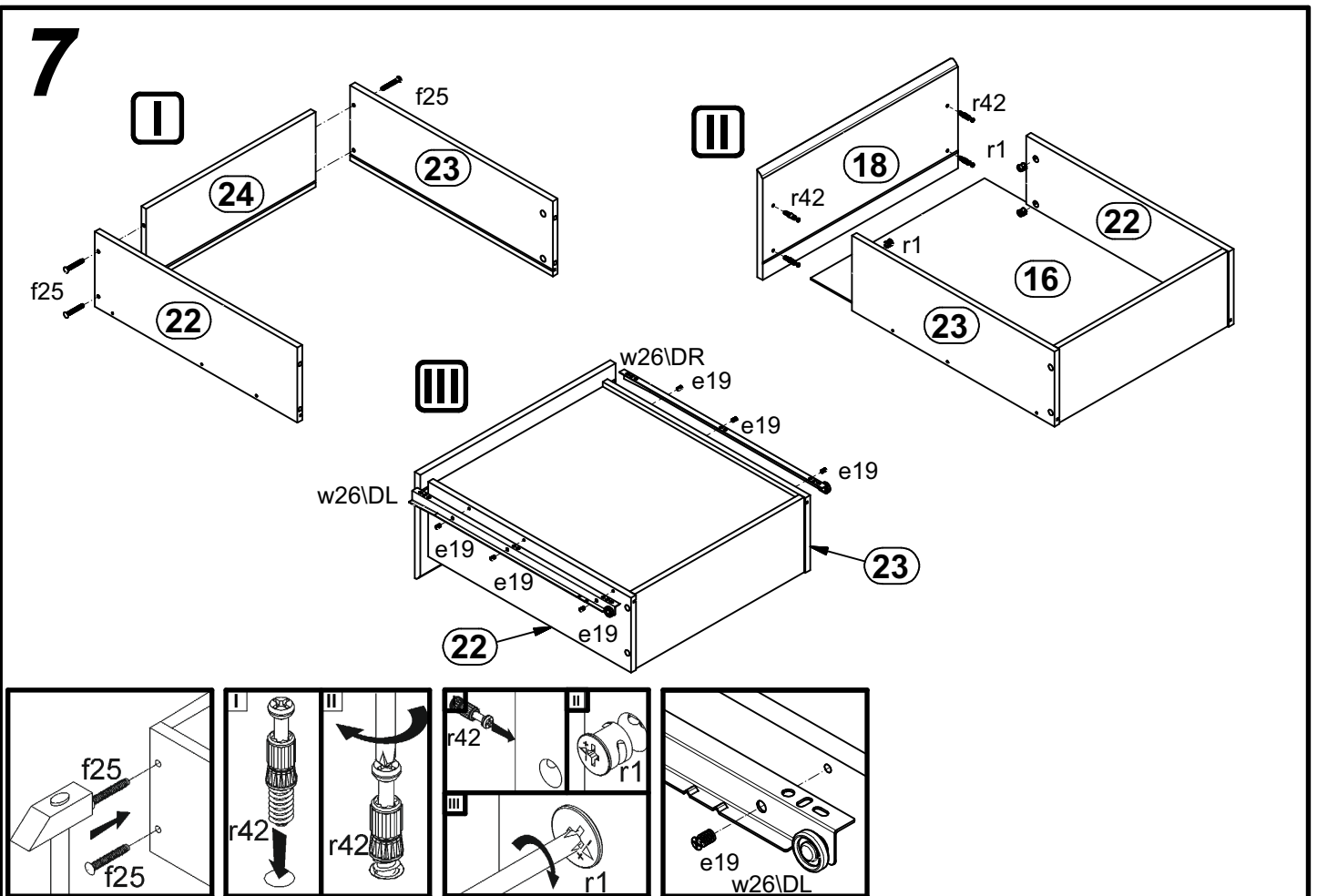
5



6



7



8

