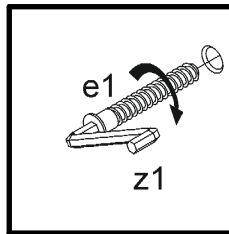
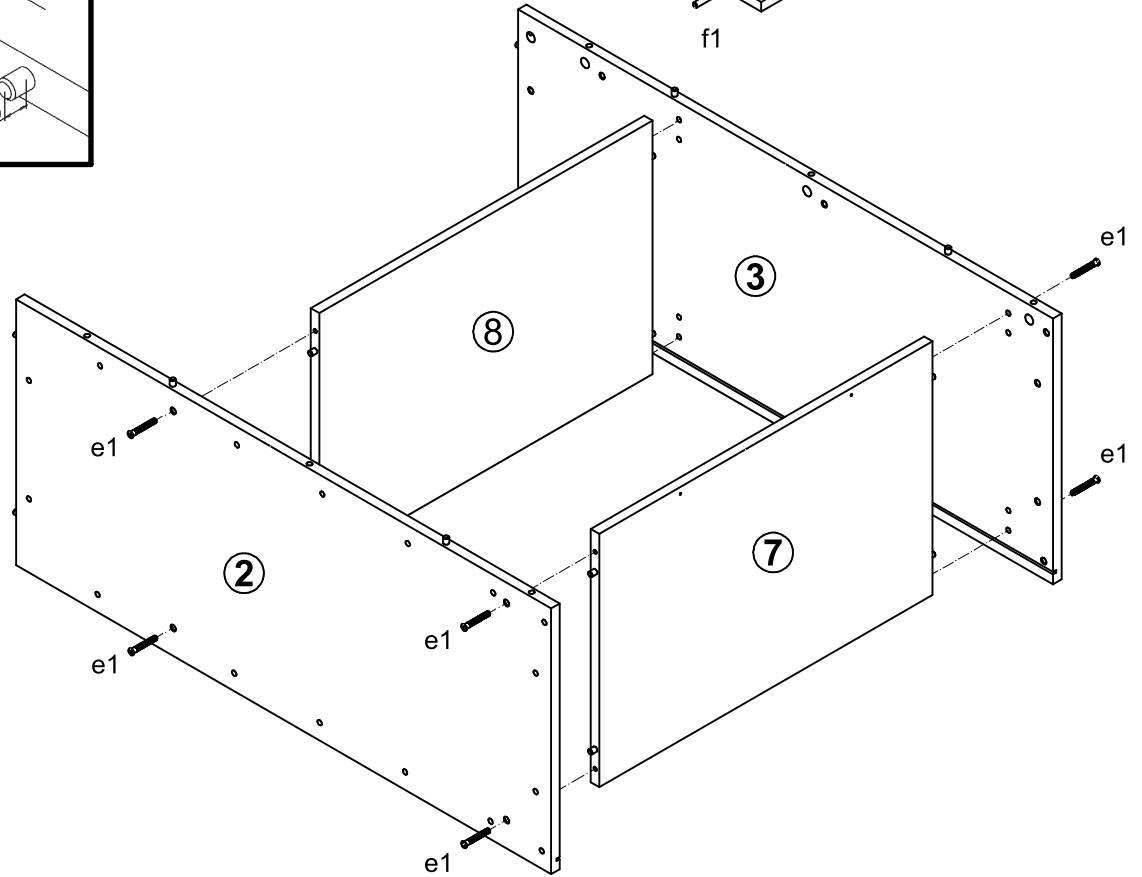
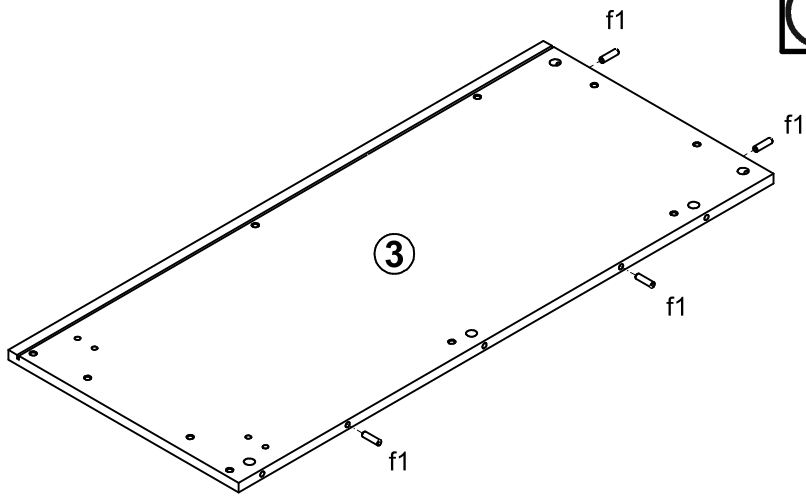
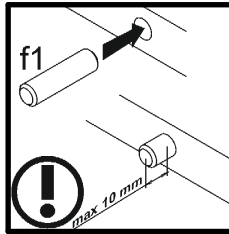
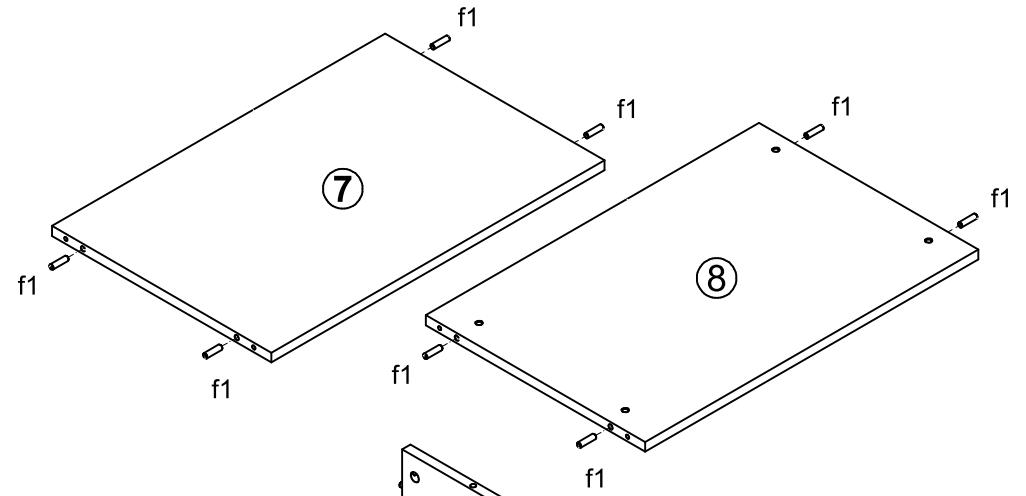
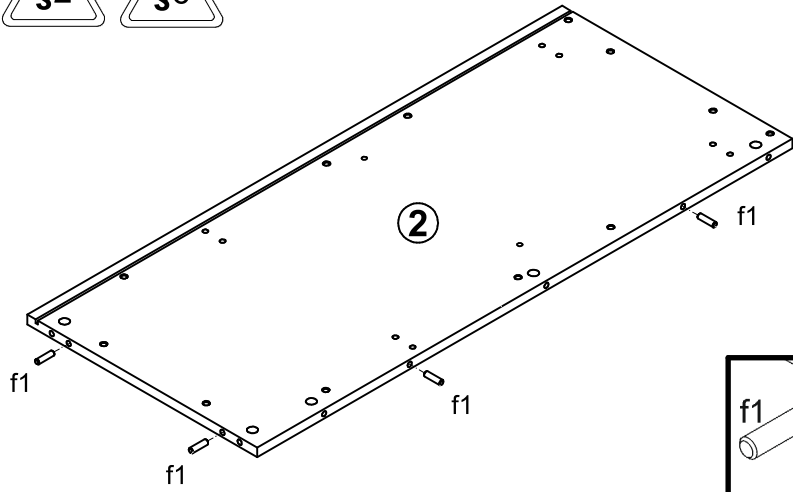


| A | B | C (mm) | | D |
|----|------------|--------|-----|-----|
| 1 | S228-0061A | 434 | 160 | 2/2 |
| 2 | S228-1161 | 842 | 367 | 1/2 |
| 3 | S228-1162 | 842 | 367 | 1/2 |
| 4 | S228-1160A | 230,5 | 312 | 1/2 |
| 5 | S228-1159A | 230,5 | 312 | 1/2 |
| 6 | S228-2233 | 556 | 367 | 1/2 |
| 7 | S228-3362 | 524 | 347 | 1/2 |
| 8 | S228-3361 | 524 | 347 | 1/2 |
| 9 | S228N-5605 | 367 | 80 | 1/2 |
| 10 | S228N-5611 | 251 | 80 | 1/2 |
| 11 | S228N-5614 | 850 | 58 | 1/2 |
| 12 | S228N-5615 | 840 | 58 | 1/2 |
| 13 | S228N-5612 | 840 | 80 | 1/2 |
| 14 | S228N-5613 | 840 | 80 | 1/2 |
| 15 | S228N-5618 | 440 | 80 | 1/2 |
| 16 | S228N-5616 | 601 | 80 | 1/2 |
| 17 | S228N-5617 | 522 | 60 | 1/2 |
| 18 | S228-9981 | 768 | 267 | 1/2 |
| 19 | S228-9979A | 380 | 300 | 1/2 |
| 20 | S228-518N | 300 | 120 | 2/2 |
| 21 | S228-519N | 300 | 120 | 2/2 |
| 22 | S228-520N | 370 | 120 | 2/2 |
| 23 | S228-9980 | 768 | 267 | 1/2 |
| 24 | Lh-900 | 738 | 14 | 1/2 |
| 25 | S228-3360 | 523 | 347 | 1/2 |
| 26 | S228-0062 | 434 | 510 | 2/2 |

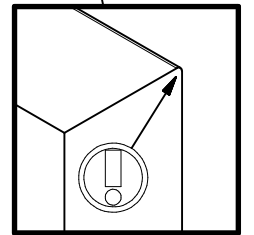
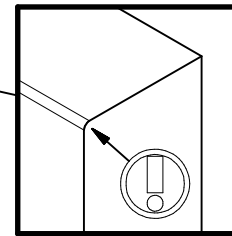
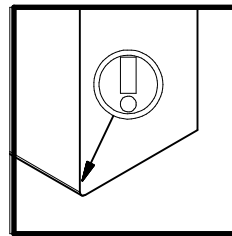
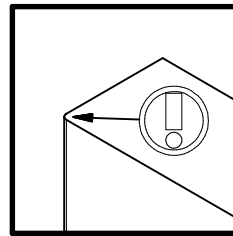
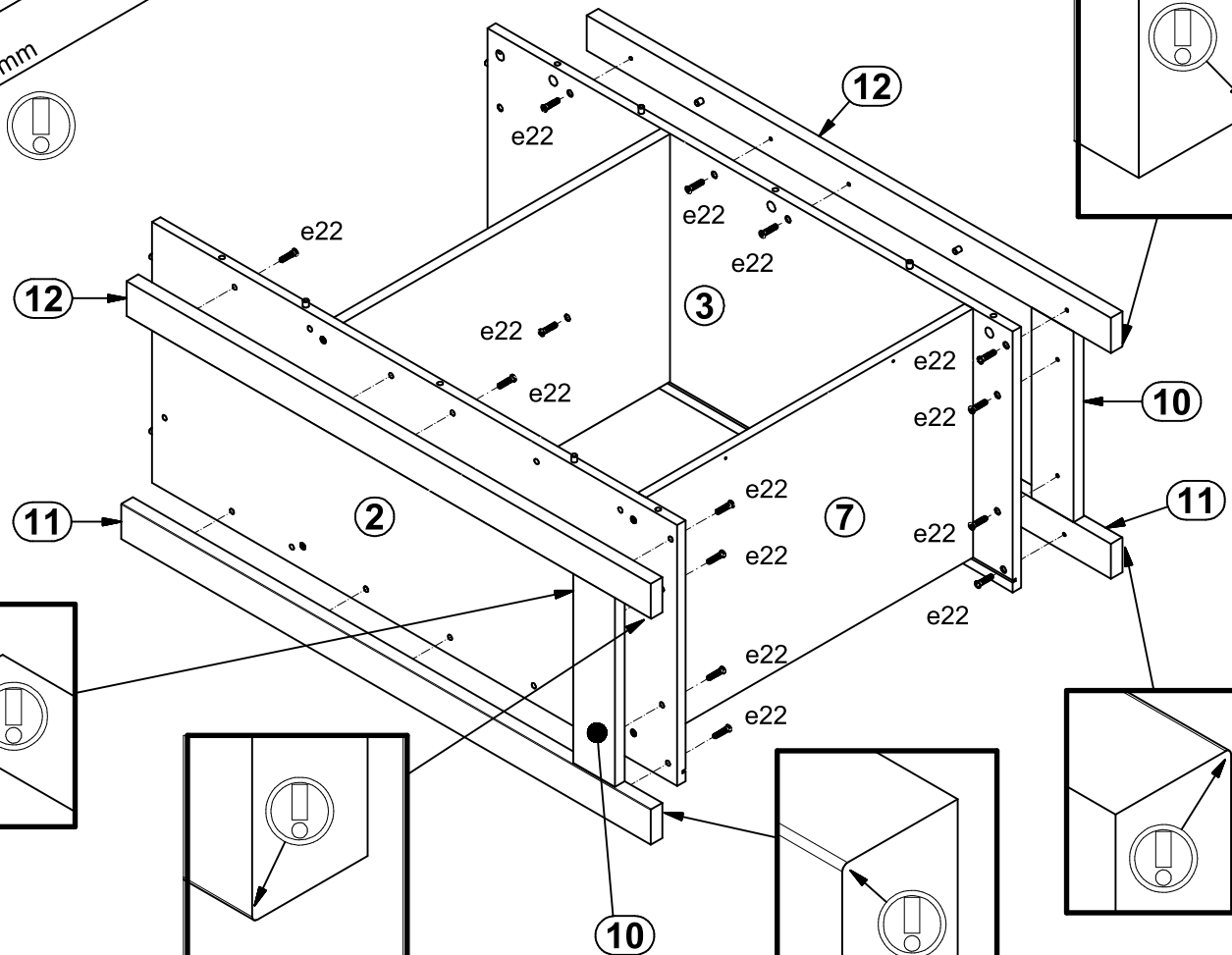
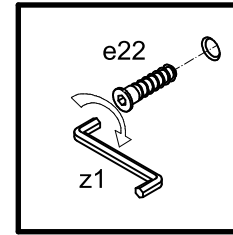
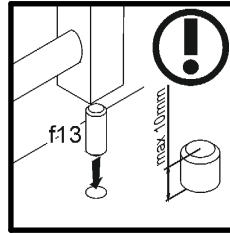
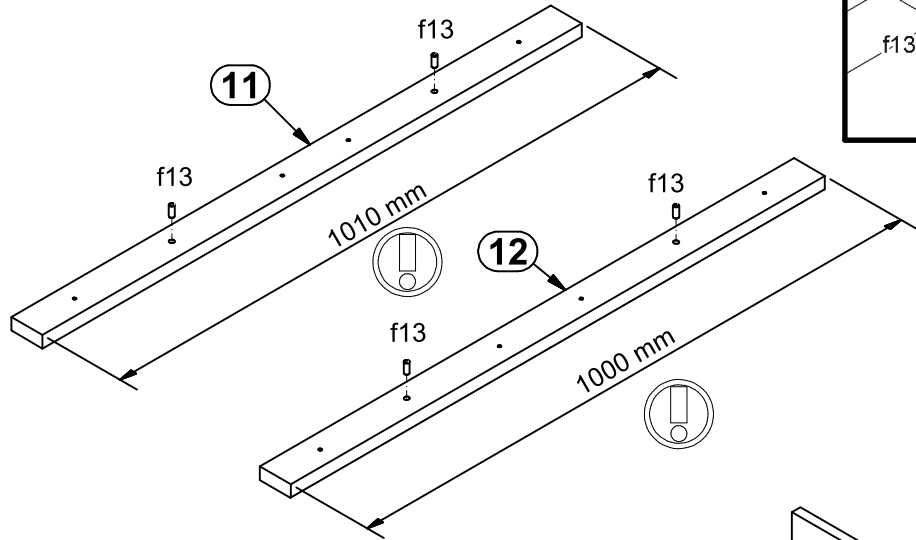
cm

| | | | | | | | | | | | | | |
|-----------|----------|--------|------------------------|--------|--------|---------|--------|---------|-----------|-----------|---------|---------|-------|
| 2x a132 | 1x a133 | 2x b43 | 0 1 2 3 4 5 6 7 8 9 10 | | | | | | | | | | 4x e2 |
| 2x c280/1 | 2x d36 | 4x e1 | 20x e22 | 6x e3 | 38x f1 | 16x f13 | 4x f25 | 1x f35 | 6x j30 | 6x k1 | 2x k101 | 10x l1 | |
| 12x l2 | 1x n14/2 | 1x p17 | 2x p38 | 8x p51 | 4x p79 | 3x p8 | 17x r1 | 17x r42 | 2x w206/1 | 2x w206/2 | 1x z1 | 6x p140 | |

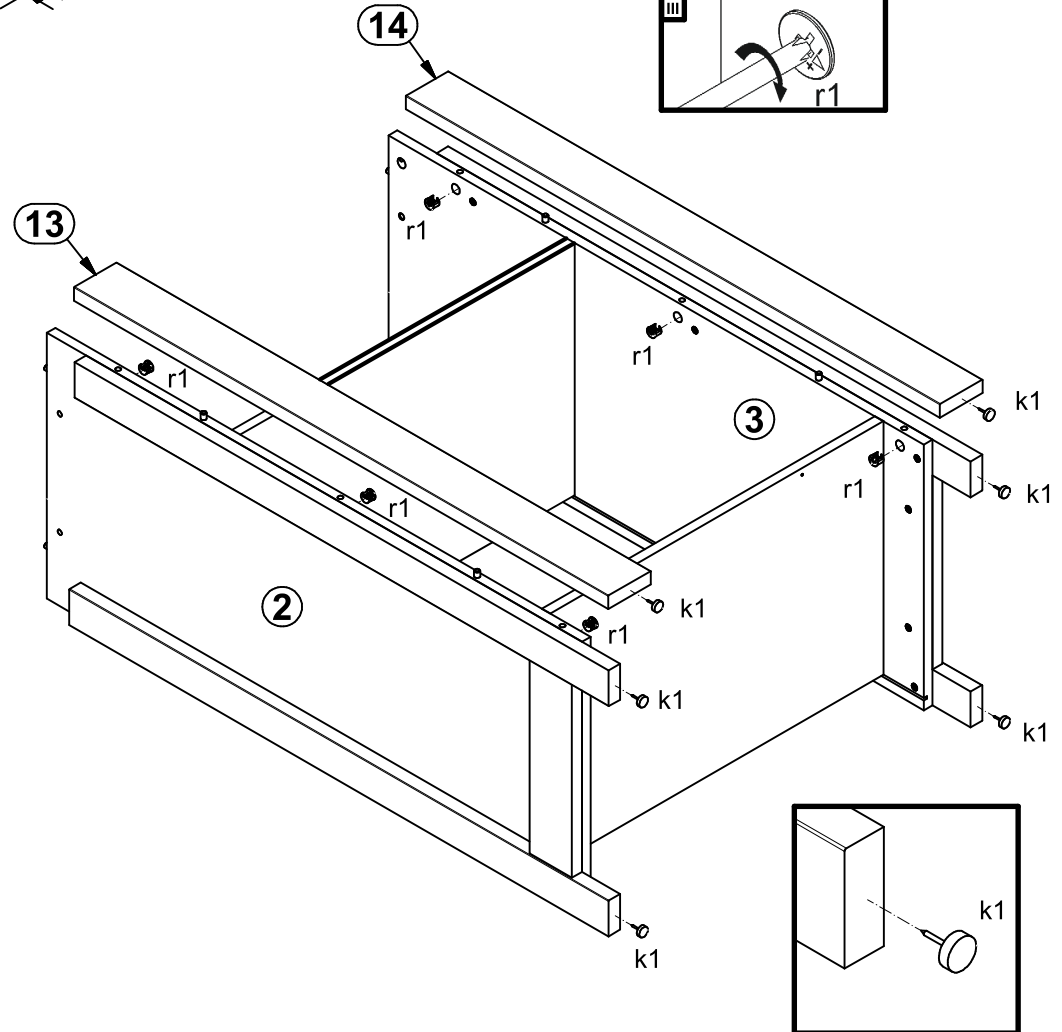
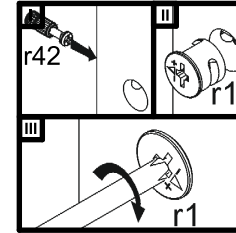
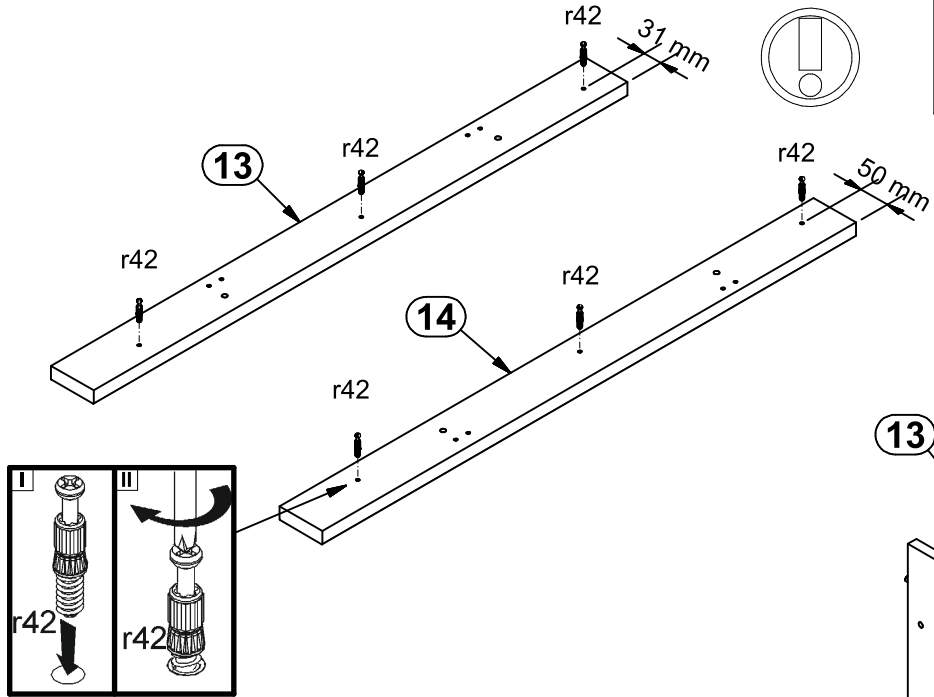
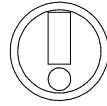
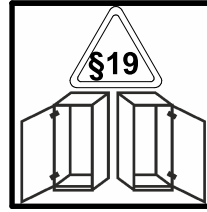
1



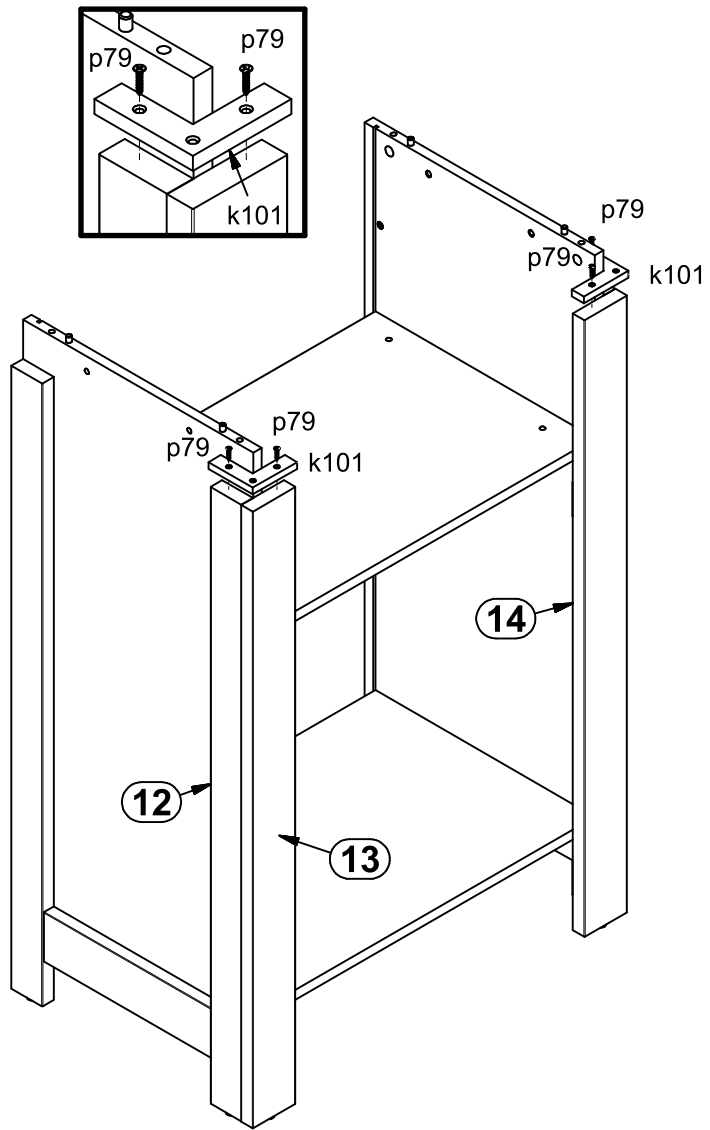
2



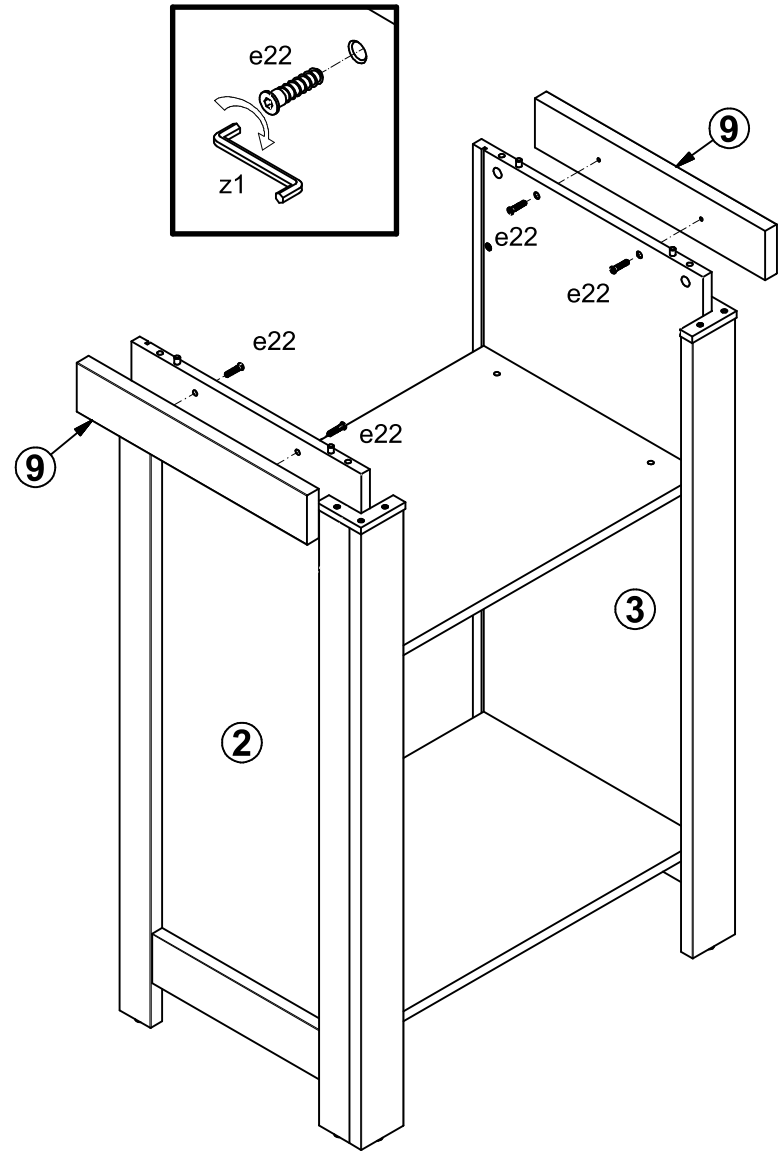
3



4

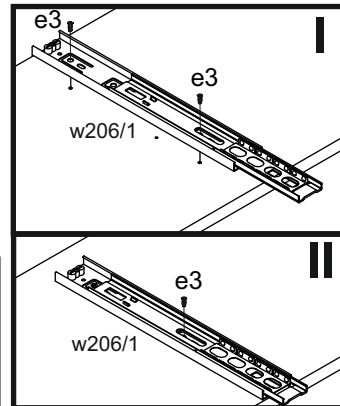
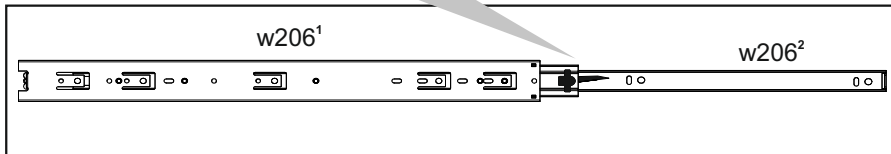
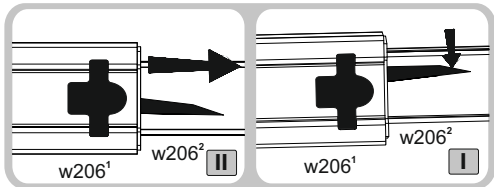
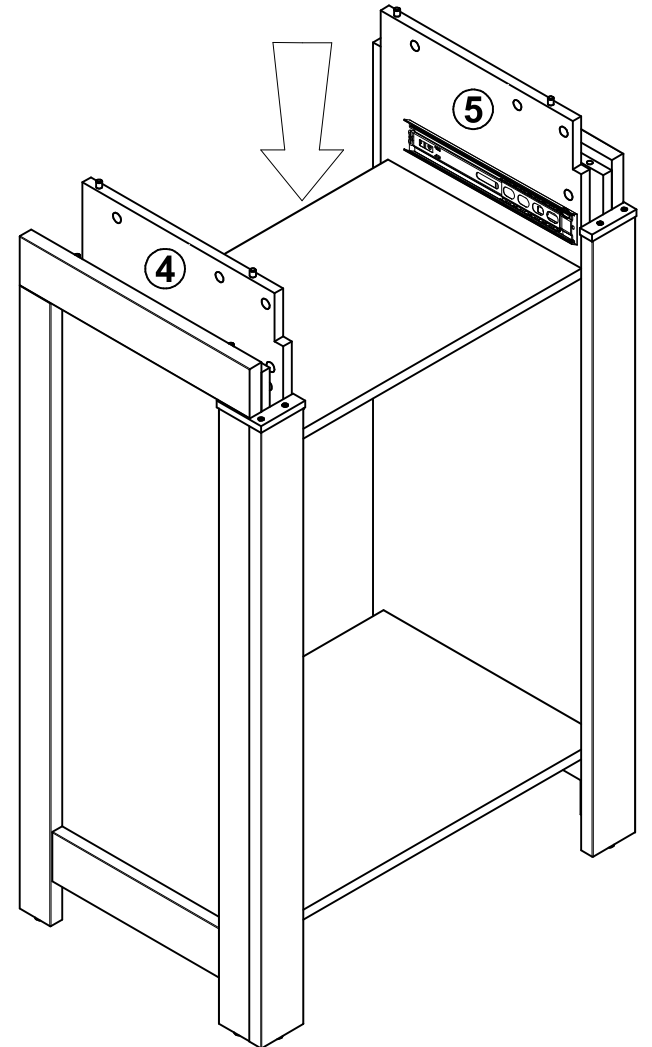
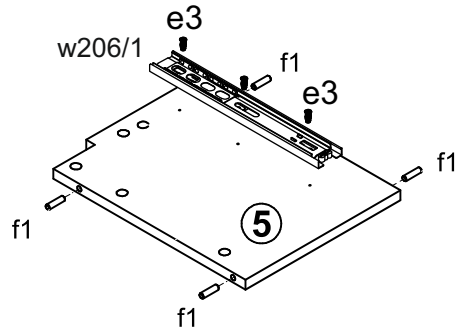
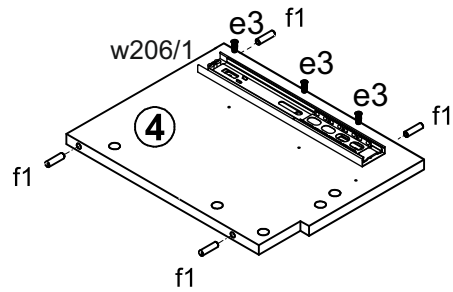
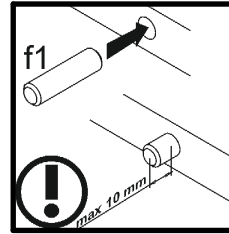


5

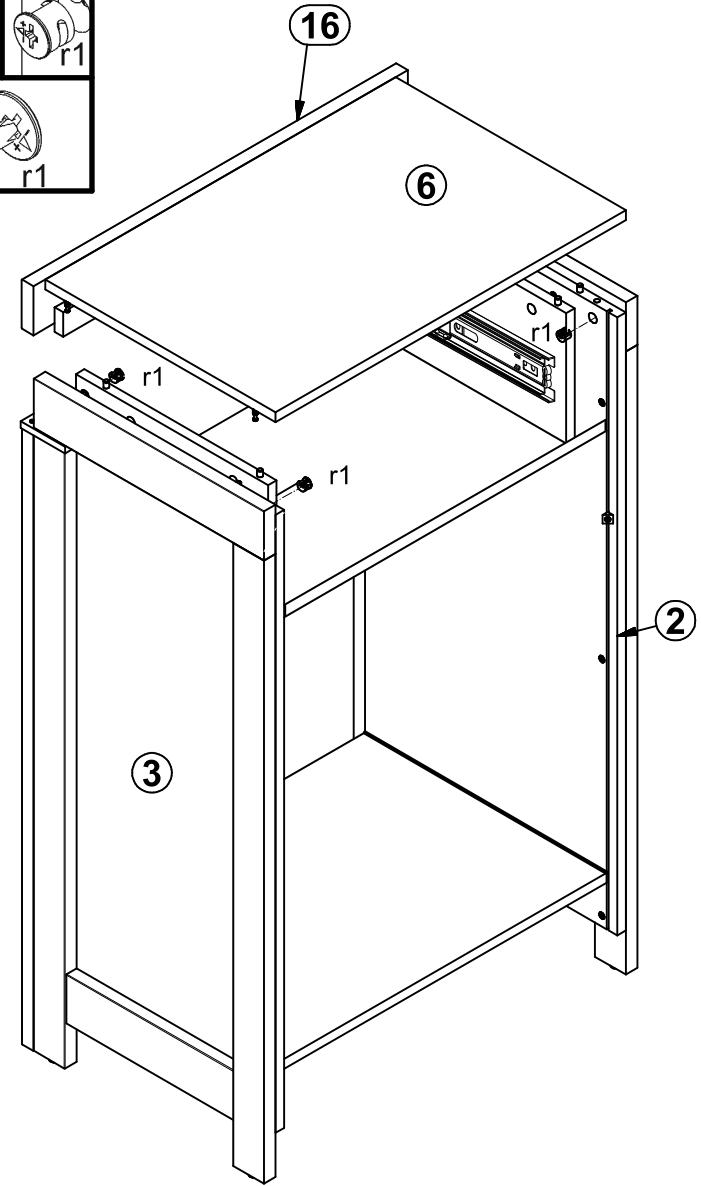
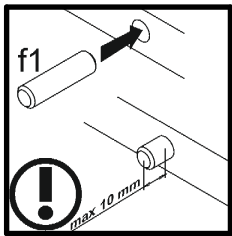
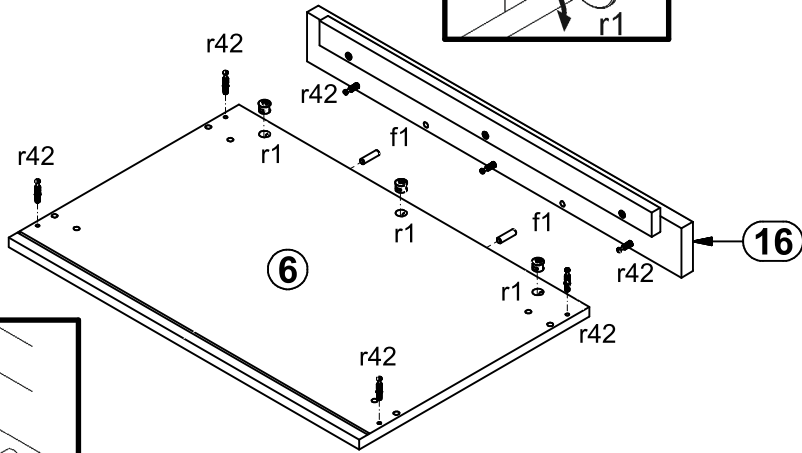
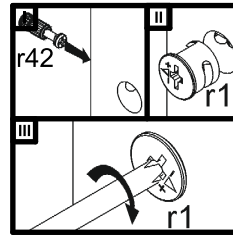
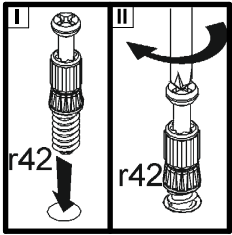
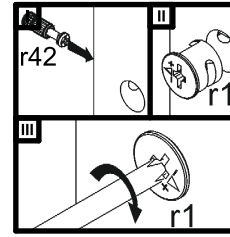
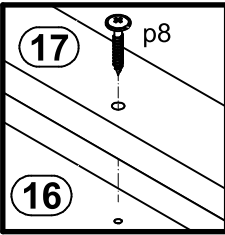
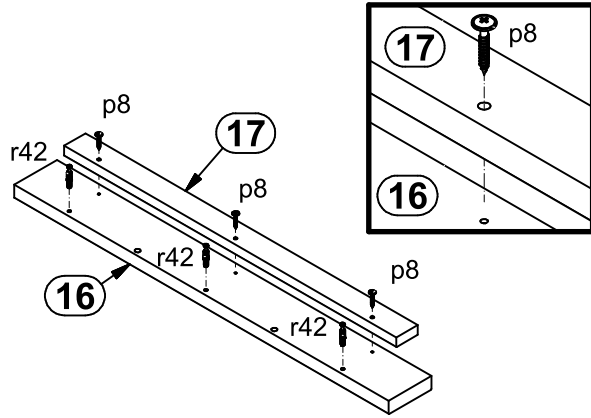


6

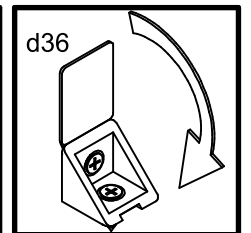
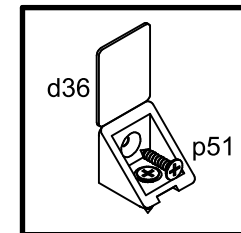
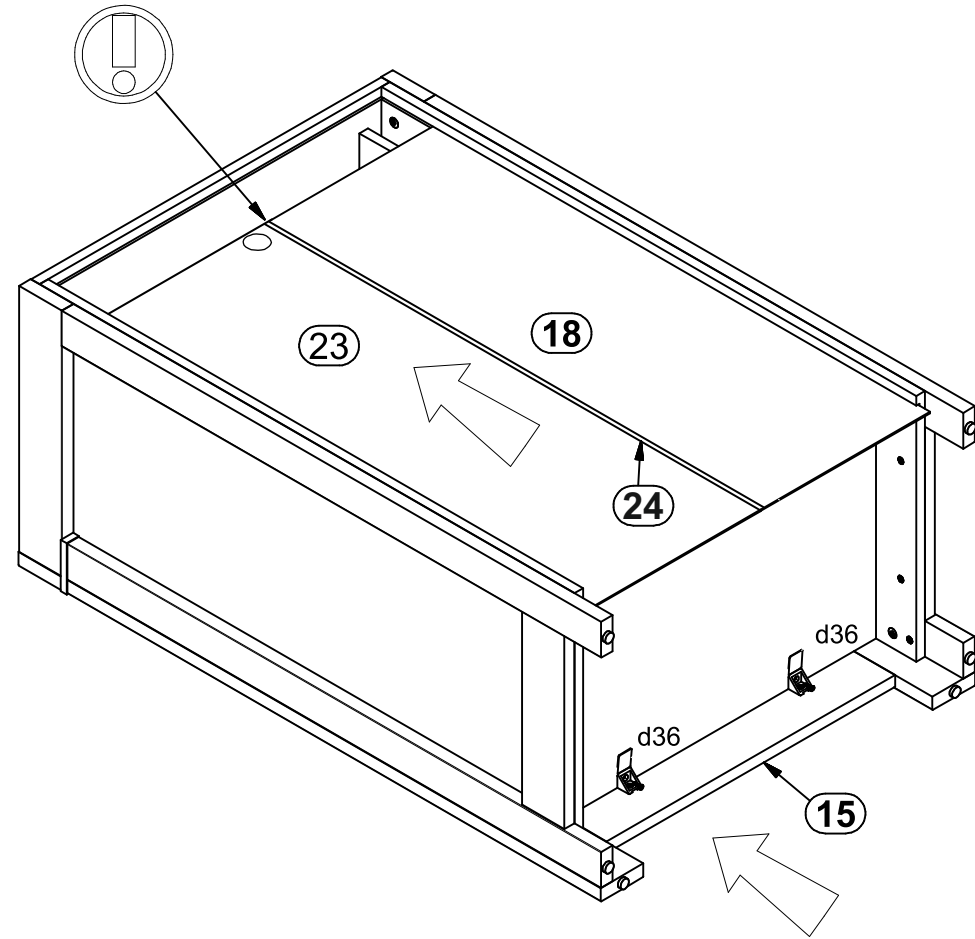
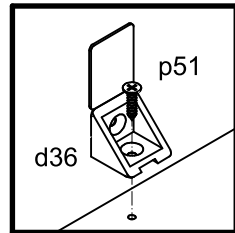
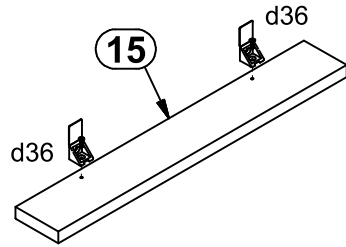
7



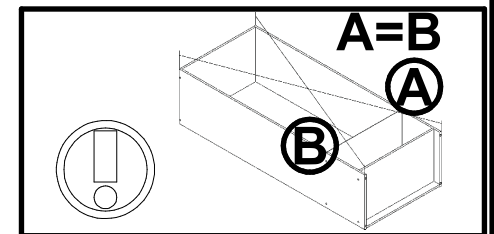
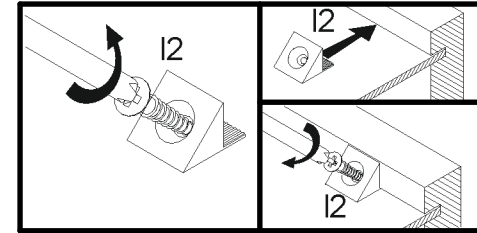
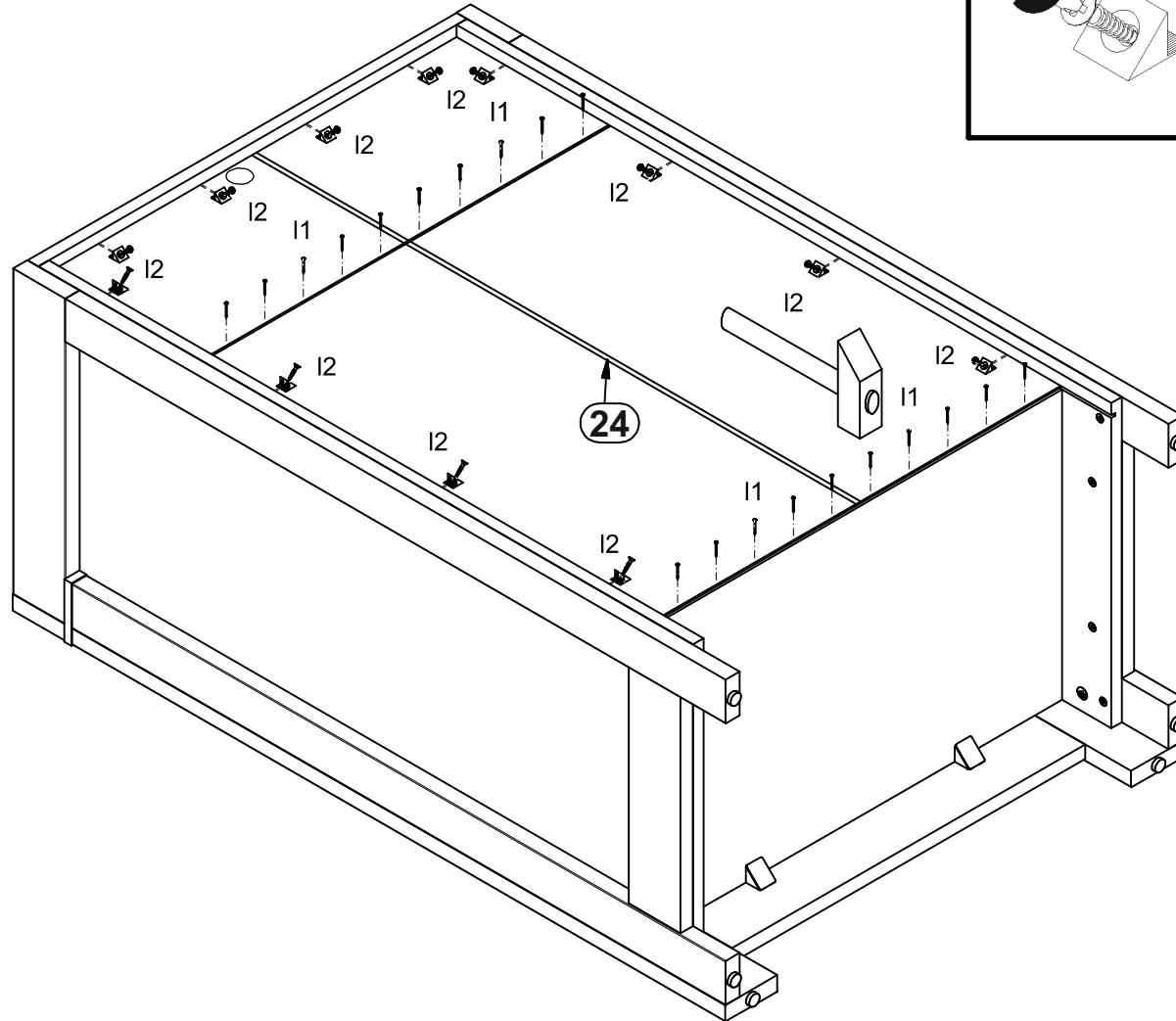
8



9

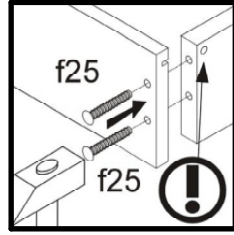
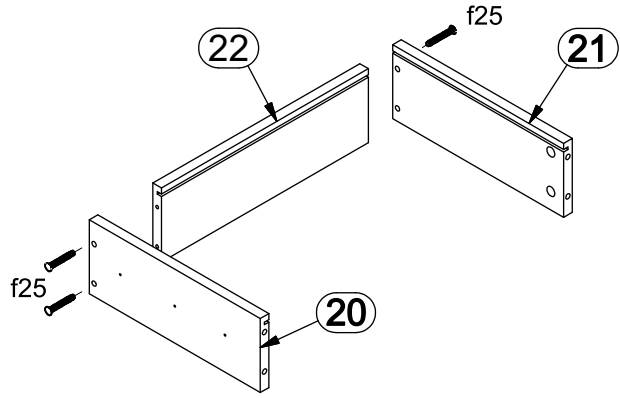


10

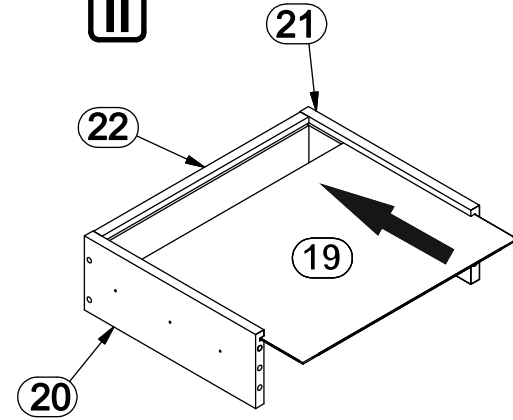


11

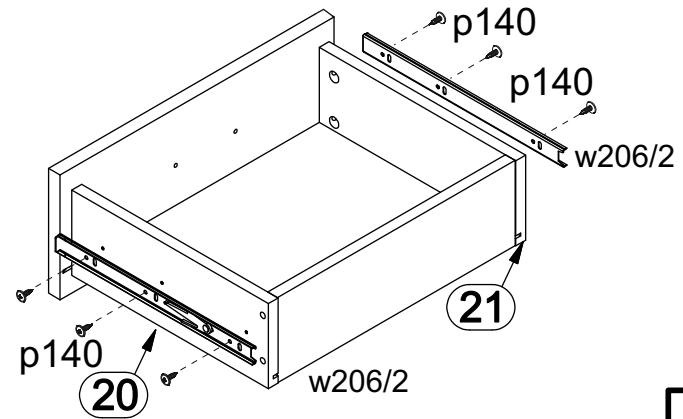
I



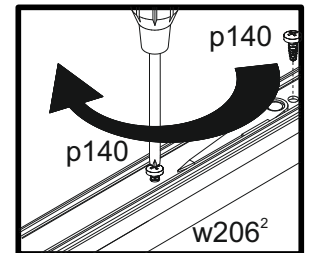
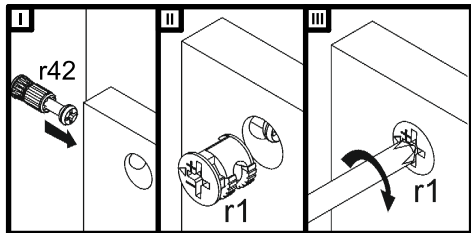
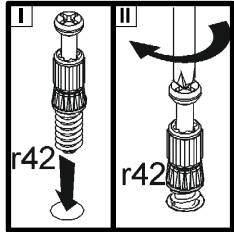
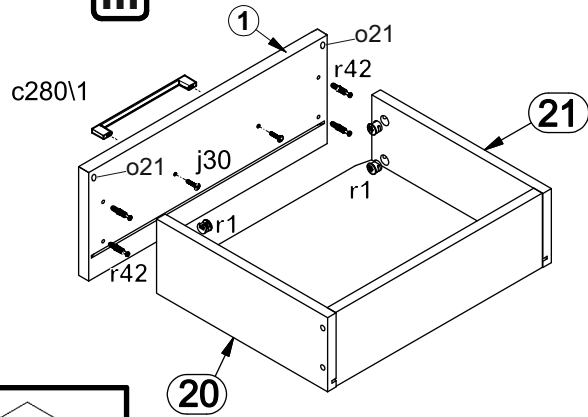
II



IV



III



12

