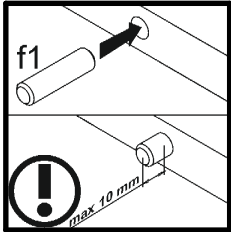
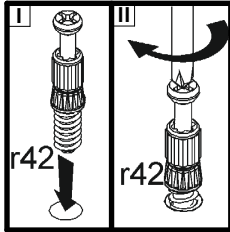
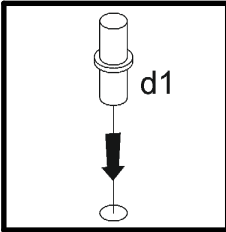
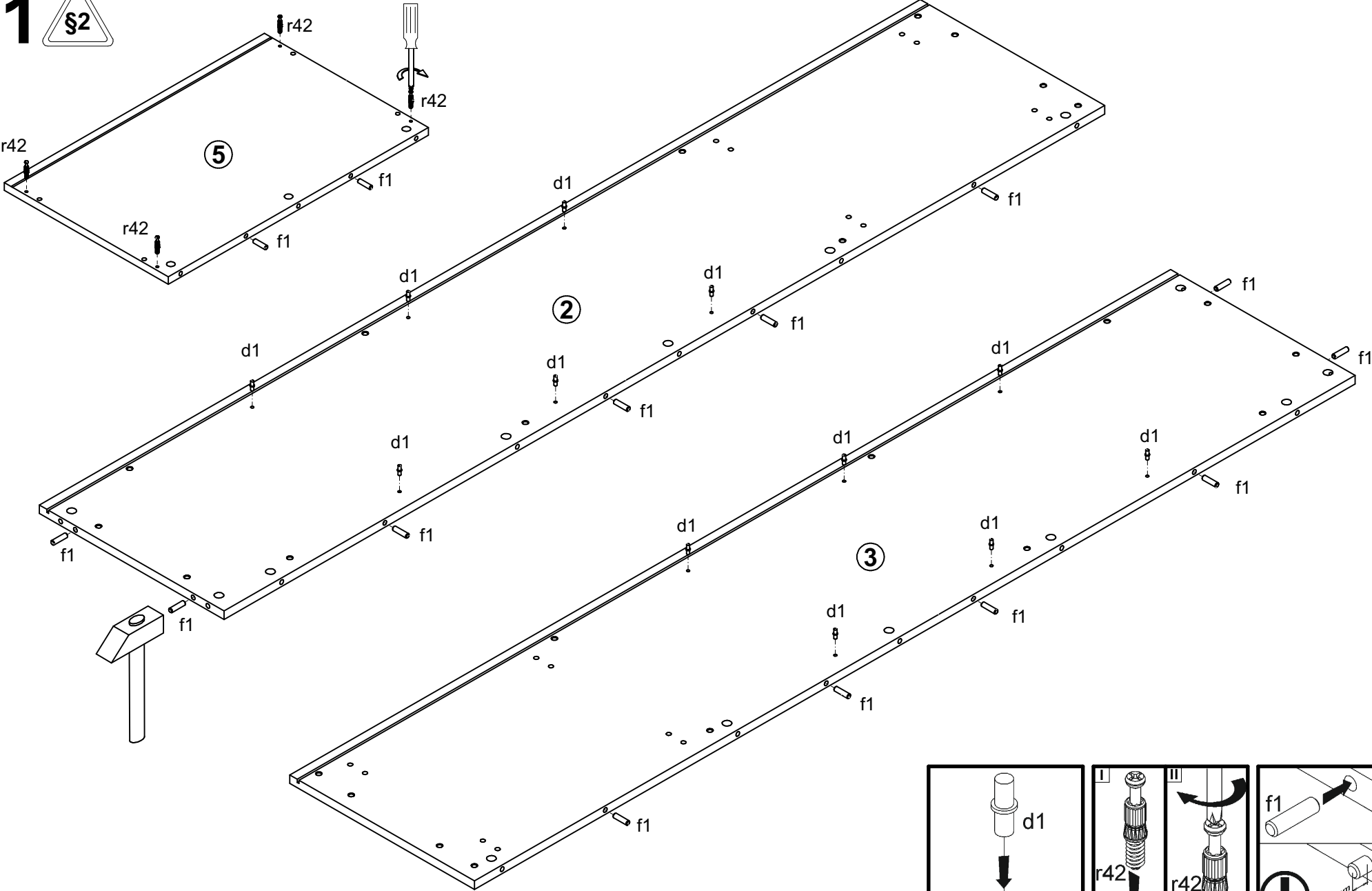


A	B	C (mm)		D
1	S228-0001A	514	192	1/2
2	S228-101	1914	401	2/2
3	S228-102	1914	401	2/2
4	S228-103A	388	381	1/2
5	S228-201	636	401	1/2
6	S228-3301	604	381	1/2
7	S228-3302	604	381	1/2
8	S228-3303	603	376	2/2
9	S228-4404	508	60	1/2
10	S228N-5501	681	80	1/2
11	S228N-5502	520	80	1/2
12	S228N-5503	602	60	1/2
13	S228N-5504	1910	80	2/2
14	S228N-5505	1910	80	2/2
15	S228N-5506	401	80	1/2
16	S228N-5507	1920	58	2/2
17	S228N-5508	285	80	1/2
18	S228N-5509	1910	58	2/2
19	S228-901	1840	614	2/2
20	S228-9945A	460	350	1/2
21	S228-504N	350	140	1/2
22	S228-505N	350	140	1/2
23	S228-511N	450	140	1/2

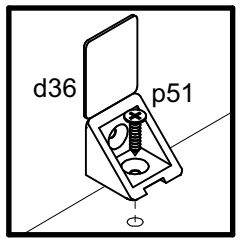
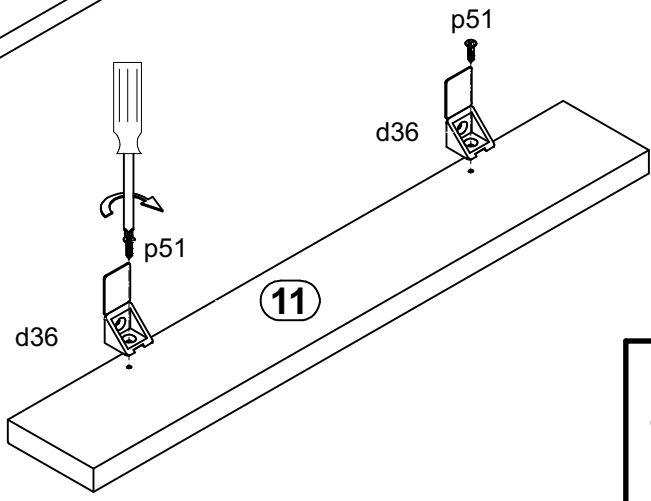
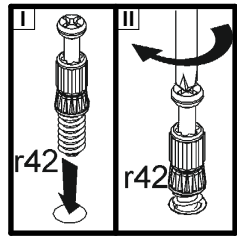
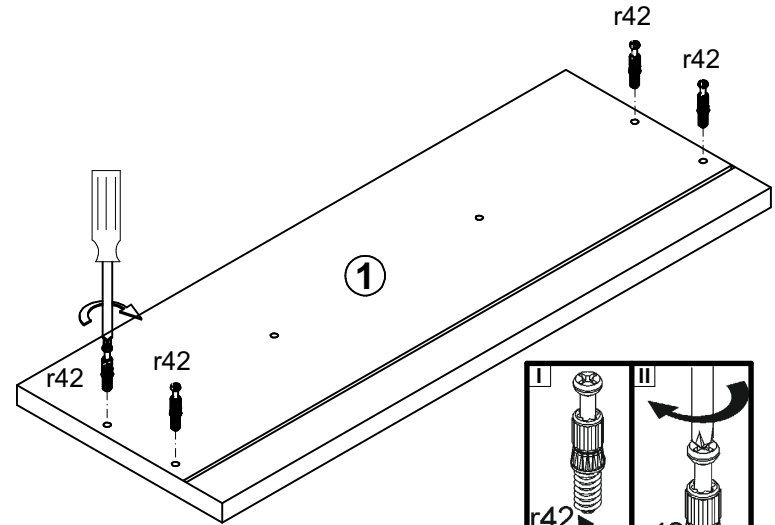
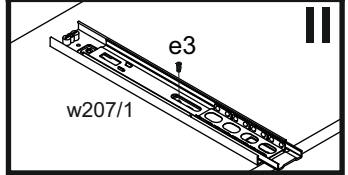
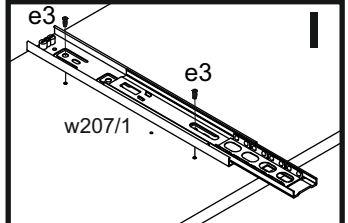
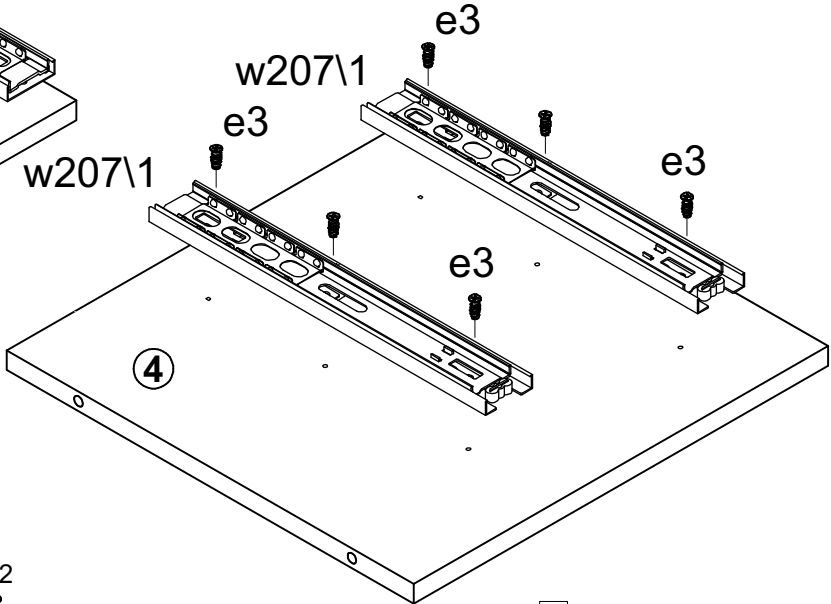
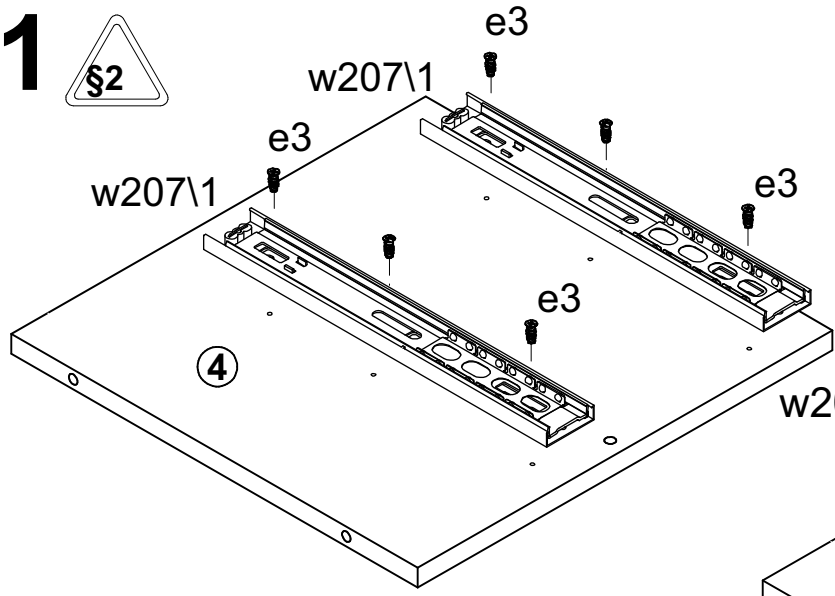


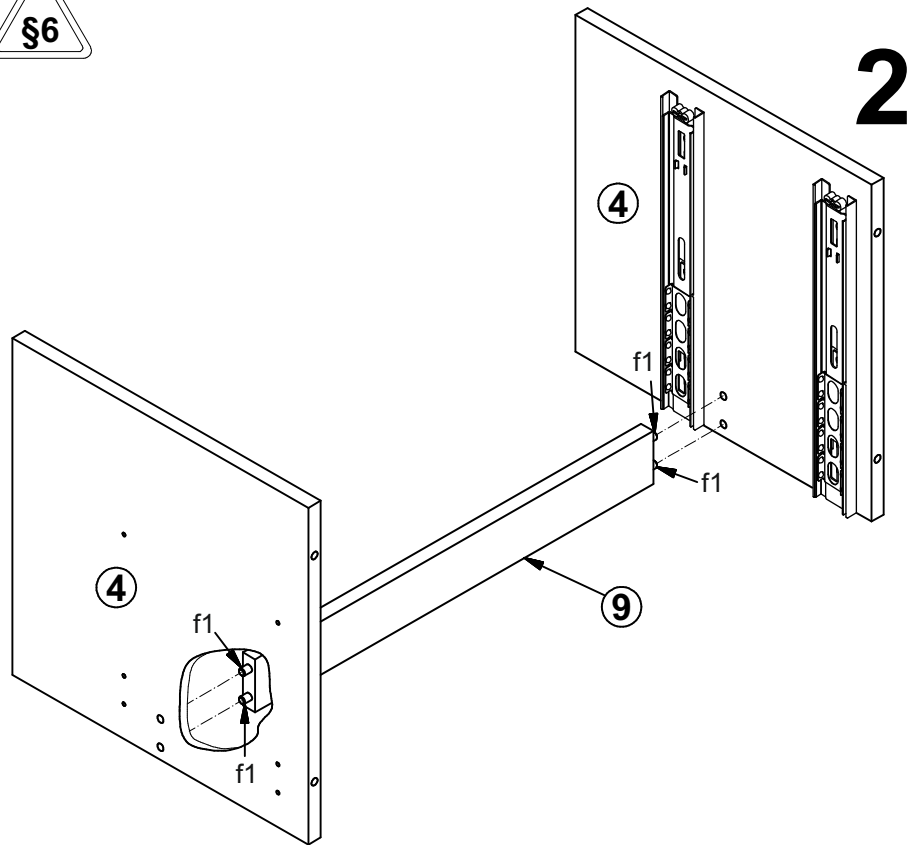
2x 192mm c280\1	12x ø5x17 mm d1	2x d36	8x 117x50 mm e1	12x 116x13 mm e3	24x 117x28 mm e22	34x 118x30 mm f1	16x 118x20 mm f13	8x 116,5x40 mm f25	4x M4x22 mm j30	6x k1	2x 83x83x11 k101	12x l1
17x i2	3x ø75\1	1x ø80\3	1x 5W ø75\2	3x 114x30 mm p9	4x 116,5x16 mm p25	12x ø3,5x12 mm p140	12x 116,5x16 mm p38	4x 116,5x15 mm p51	4x 116,5x20 mm p79	25x 111x5x12 mm #16 r1	25x 2011 r42	2x 116,5x16 mm p38
16x s1	12x 1116 s2	2x 333 mm t19	4x 350 mm w207\1	4x 350 mm w207\2	1x z1	1x 1117x0x50 mm f35	1x 81x21x15\1,5 n14	1x 1116x60 mm p17				

1

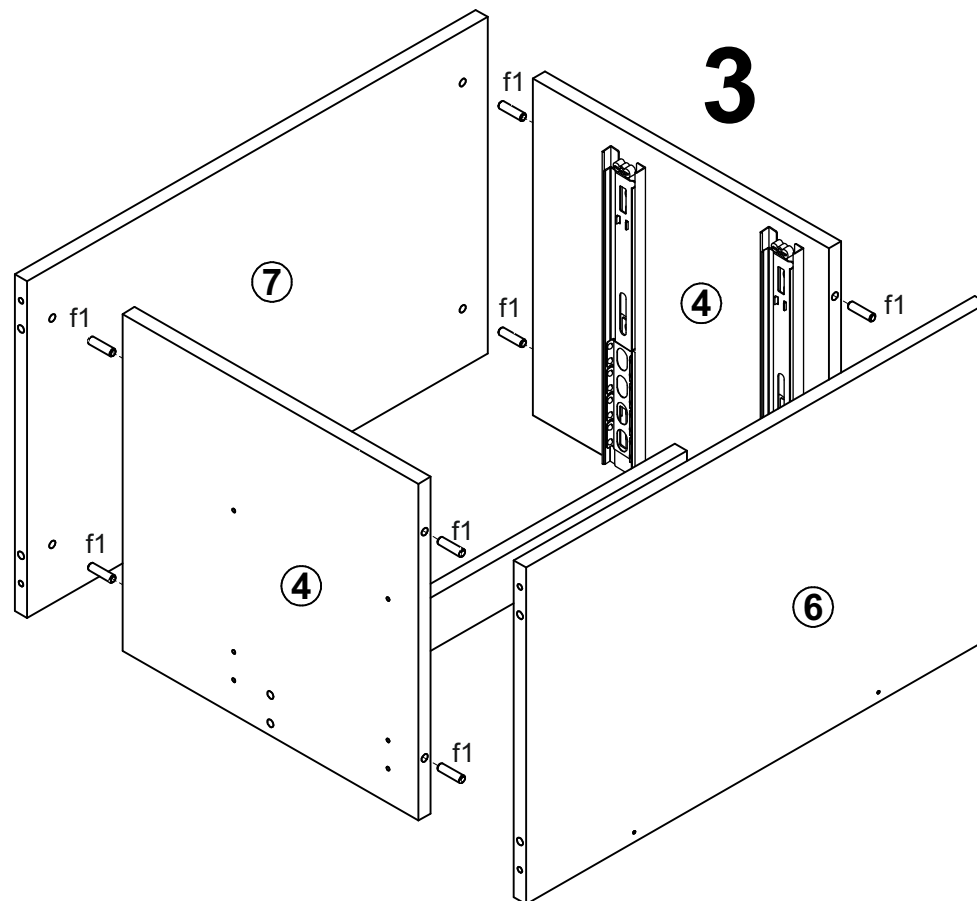


1 

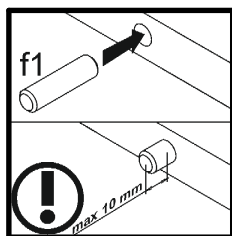


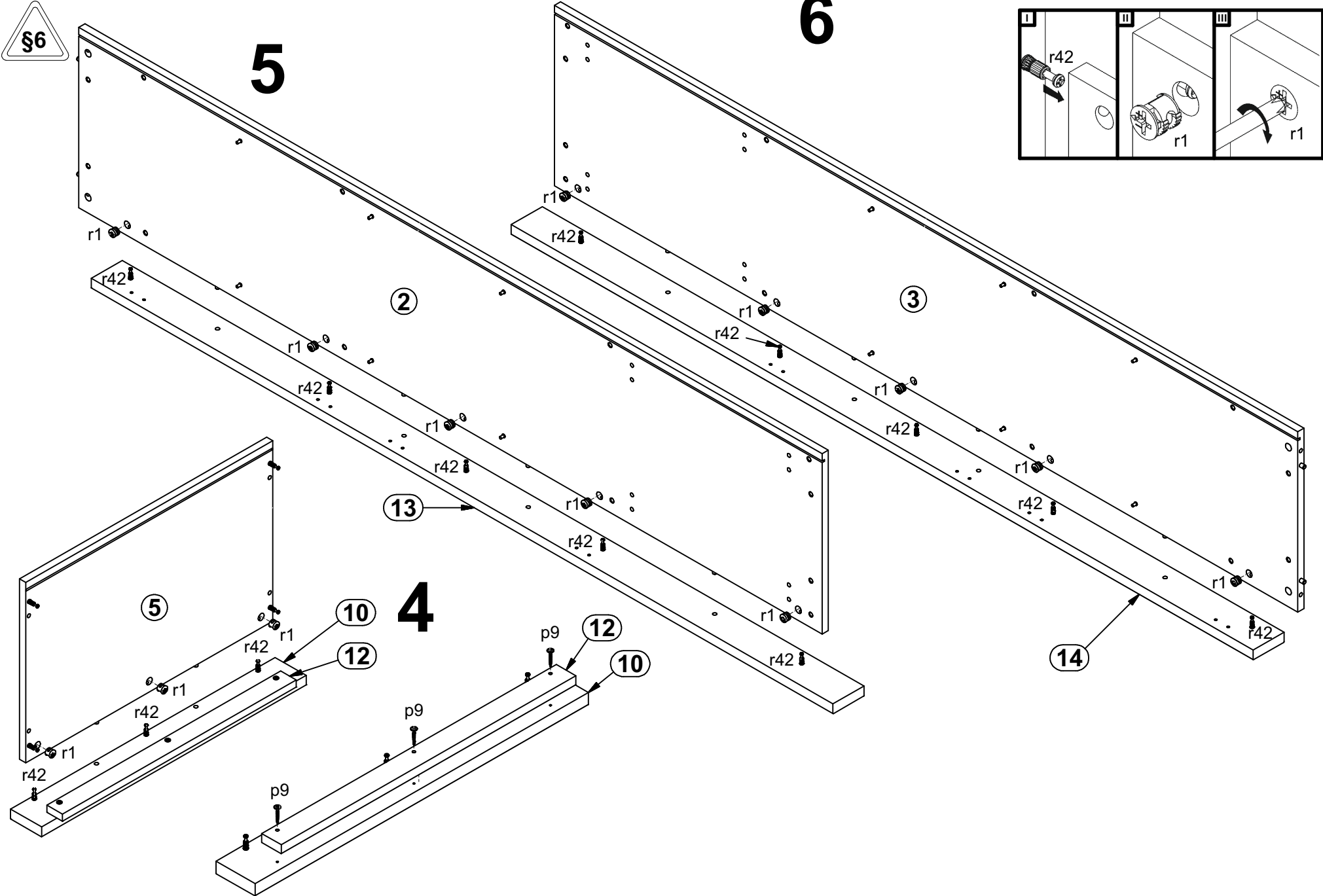


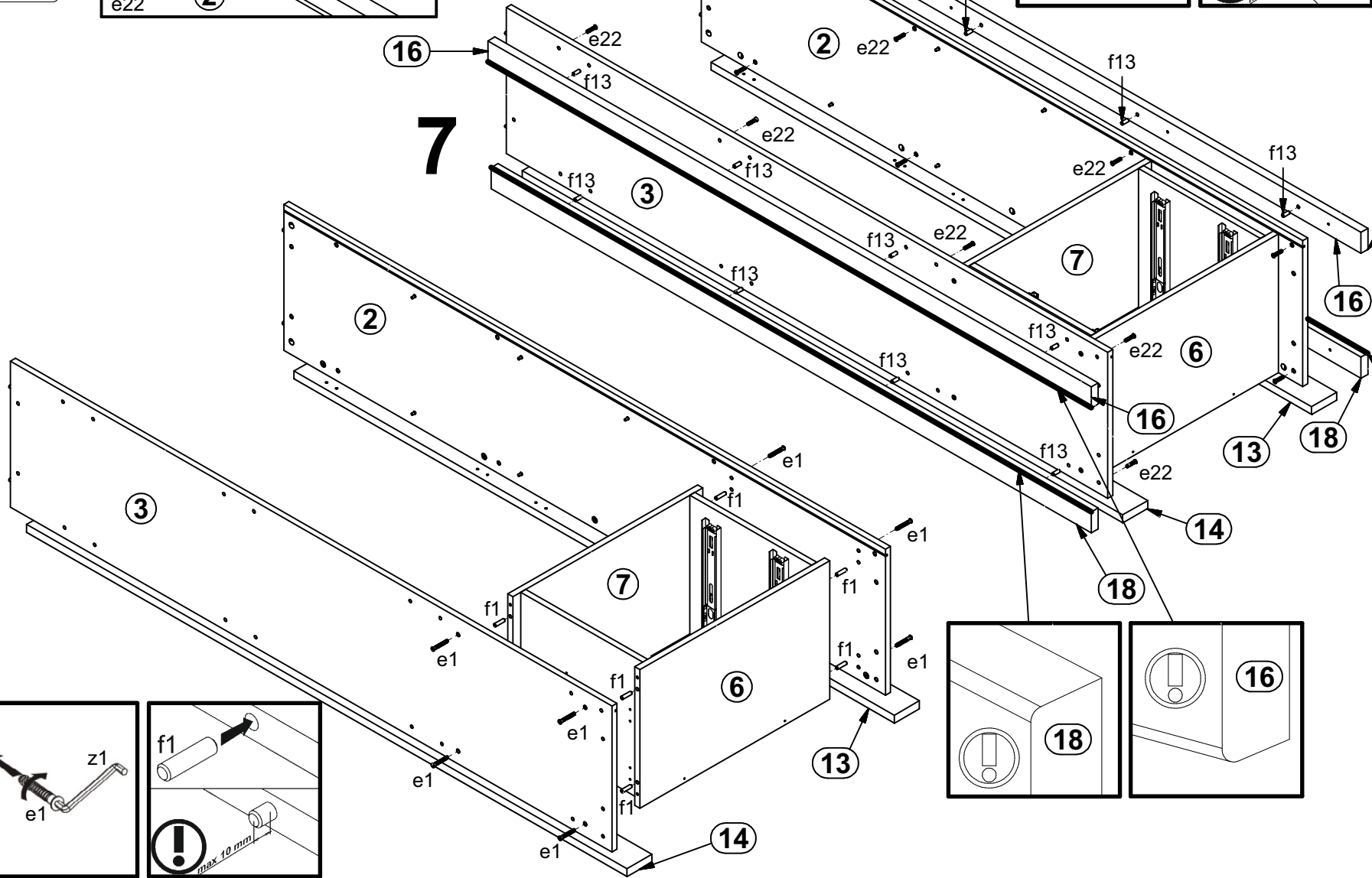
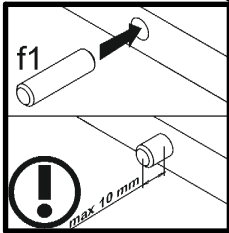
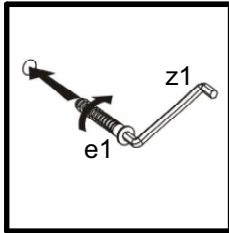
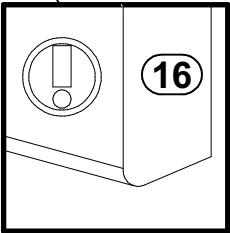
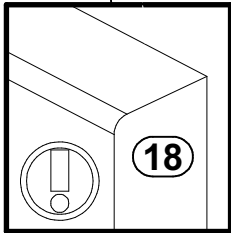
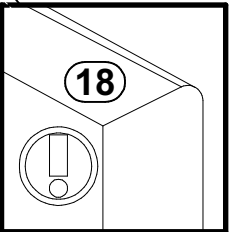
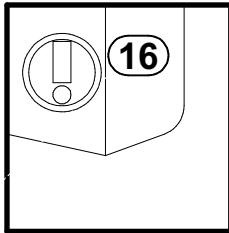
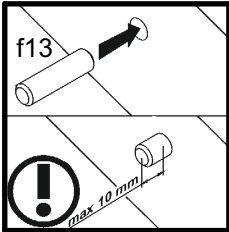
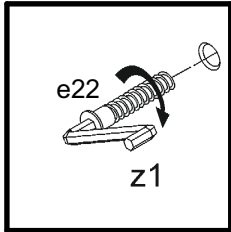
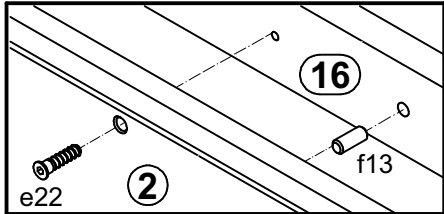
2

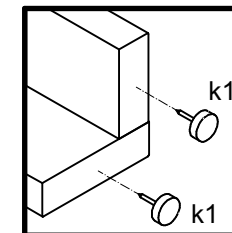
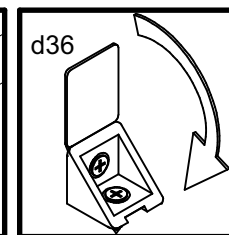
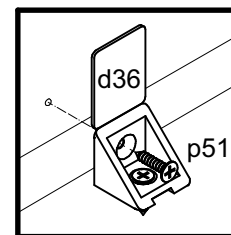
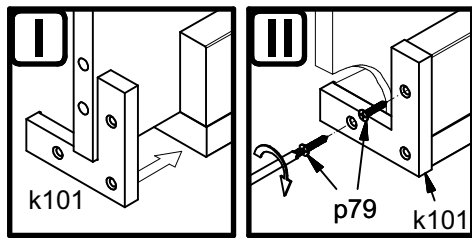
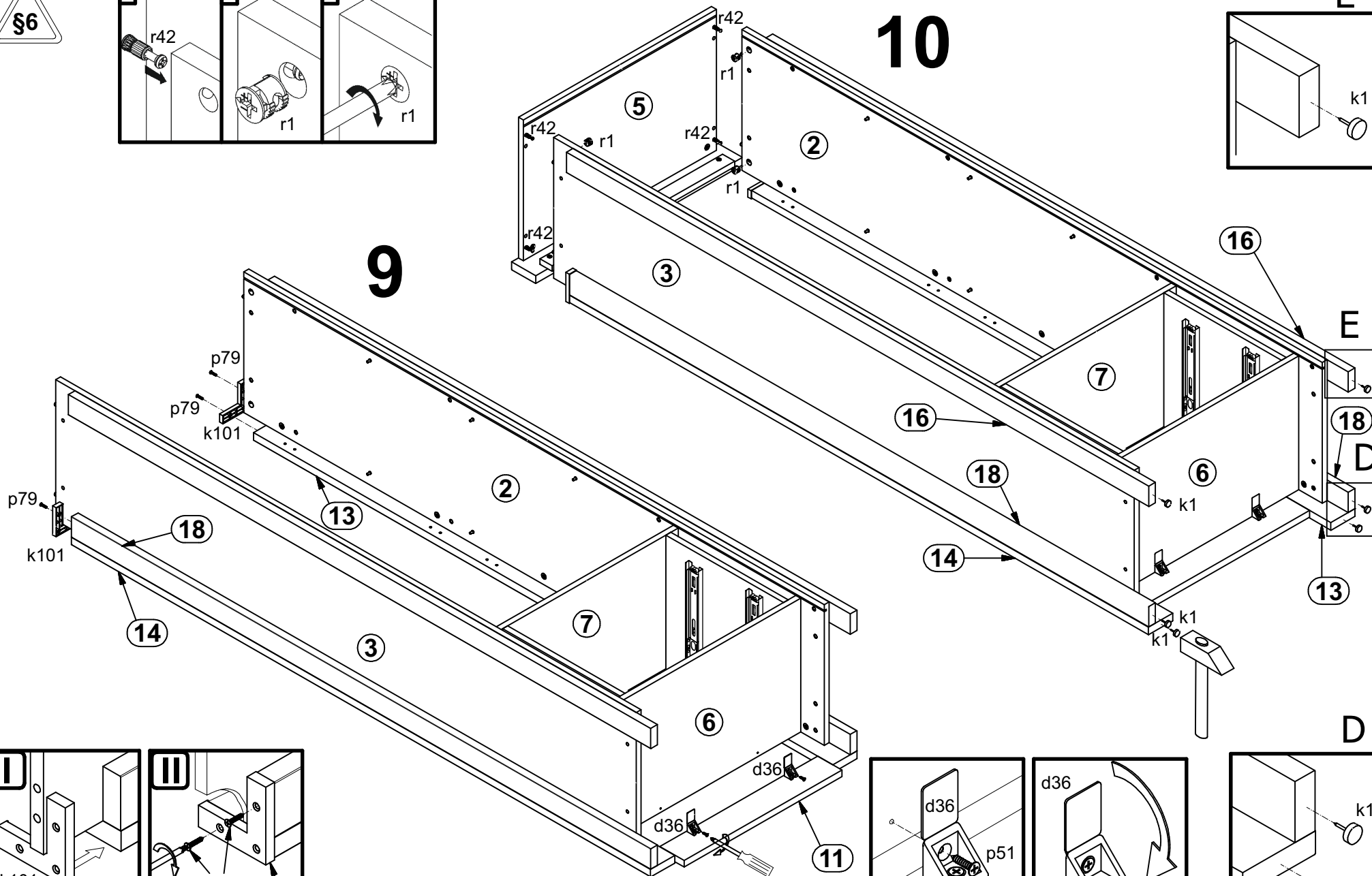
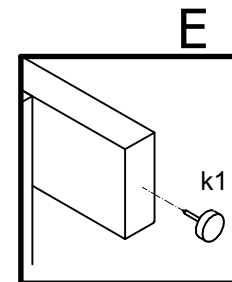
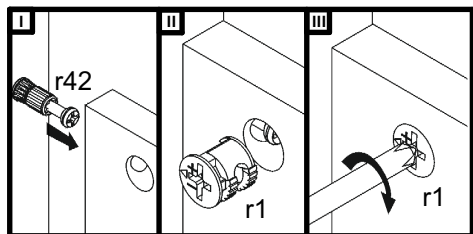


3







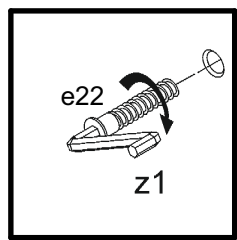
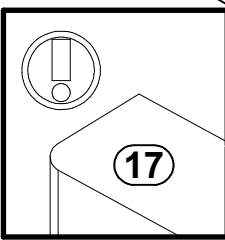
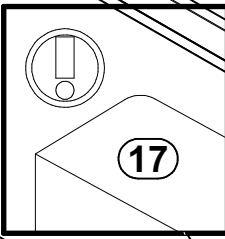
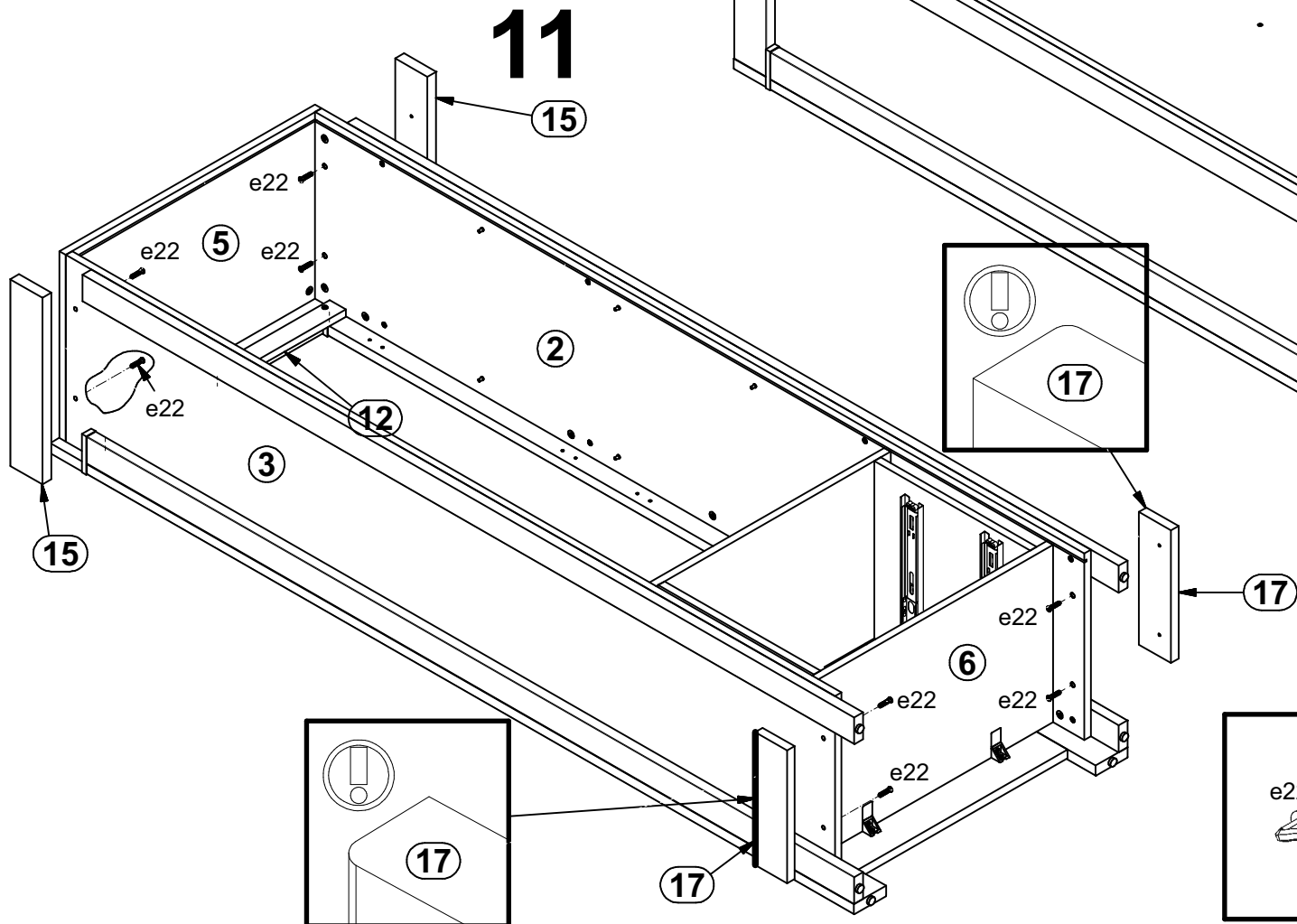
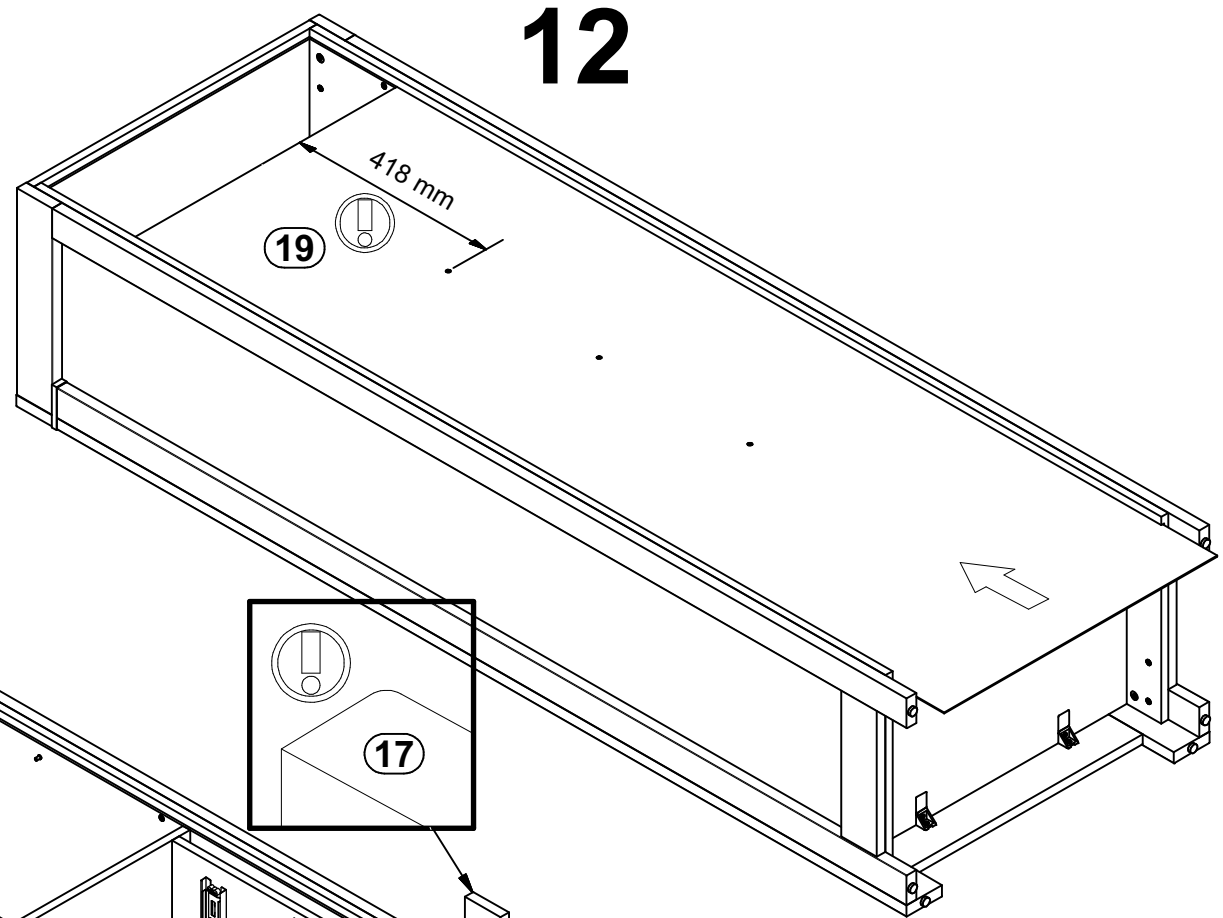


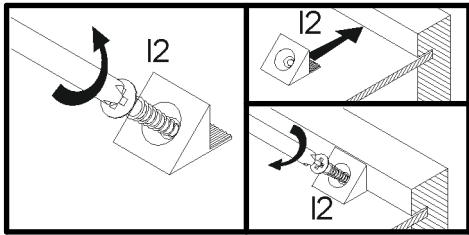
E

E

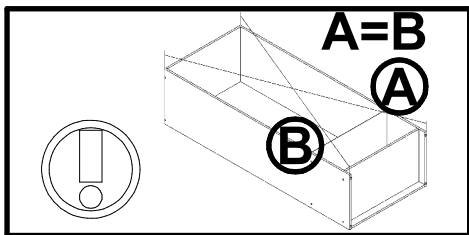
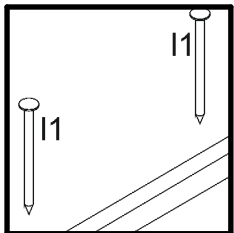
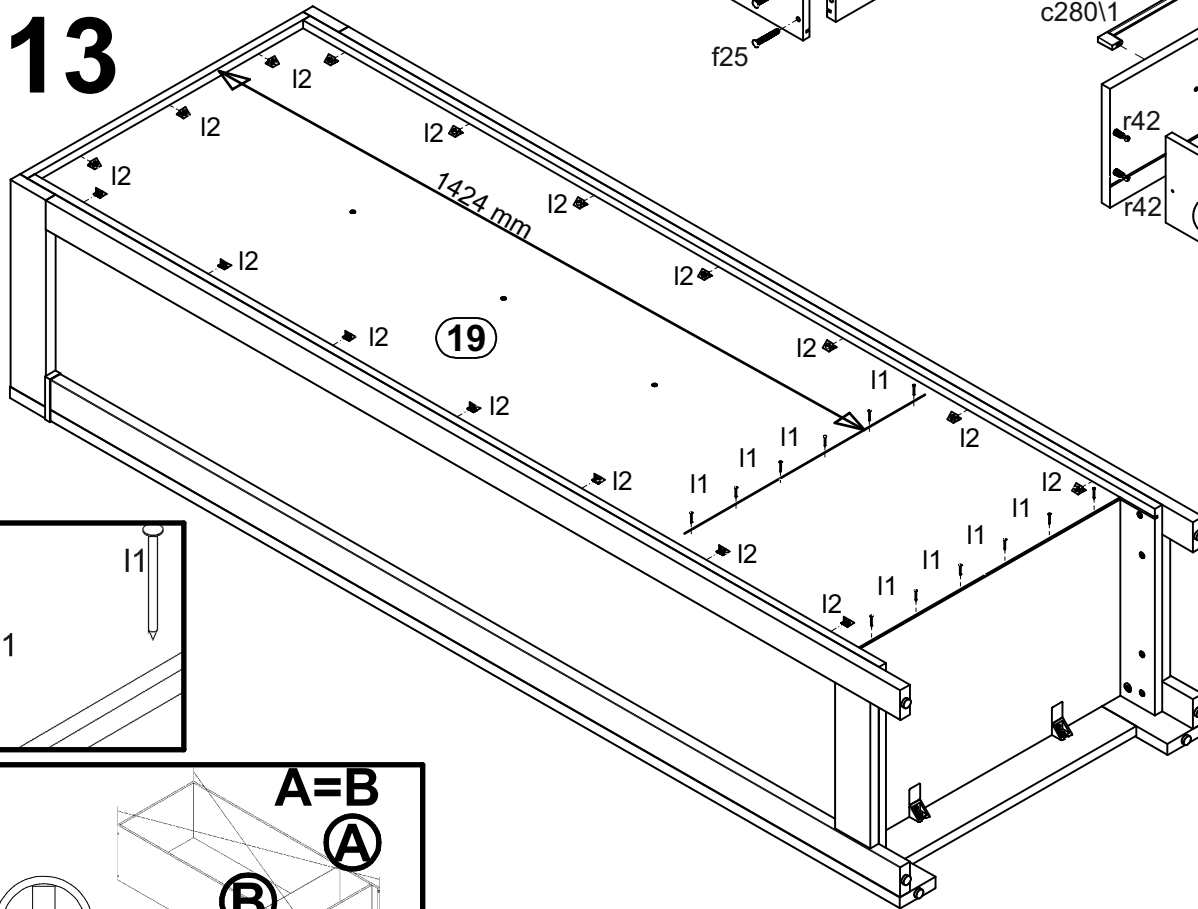
D

D

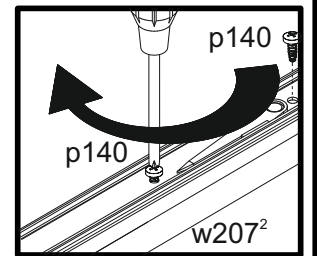
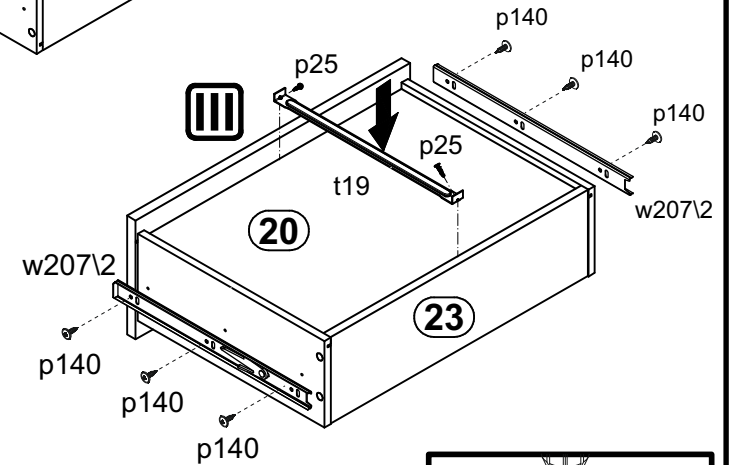
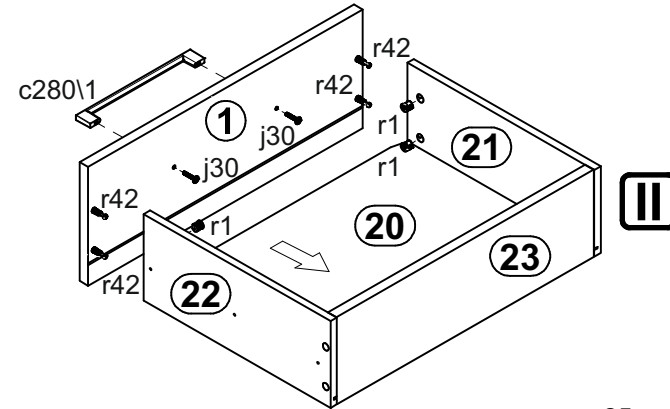
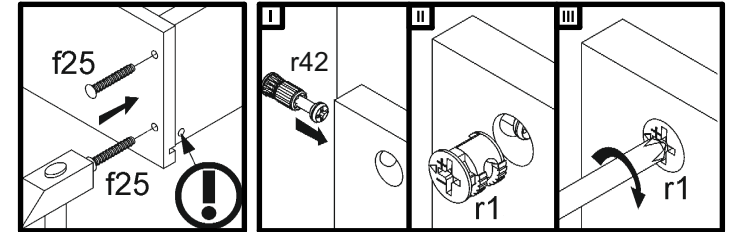
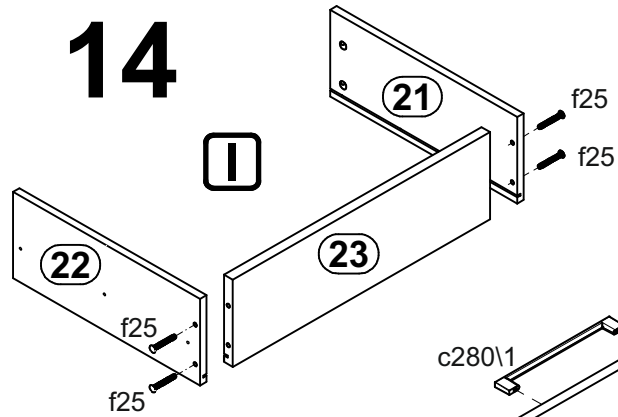


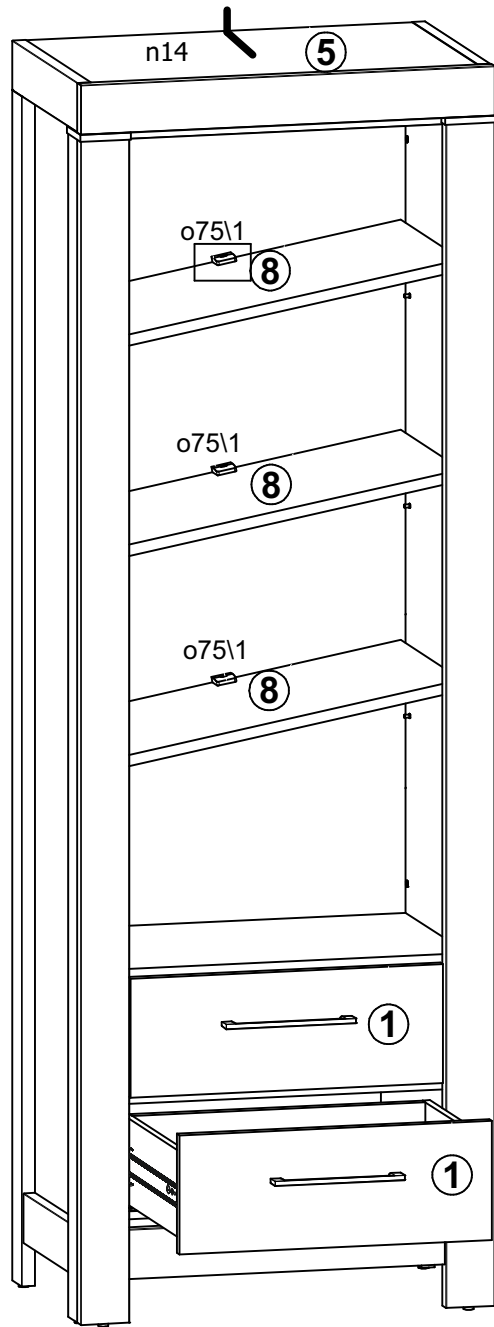


13



14





13

