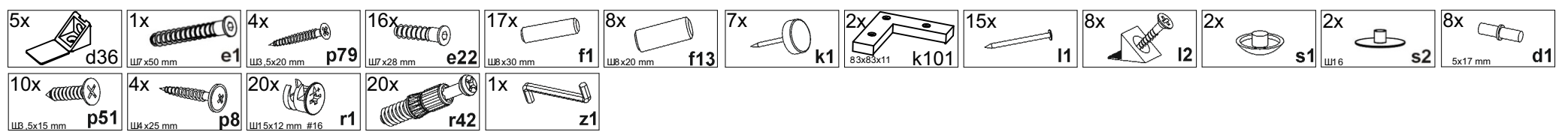
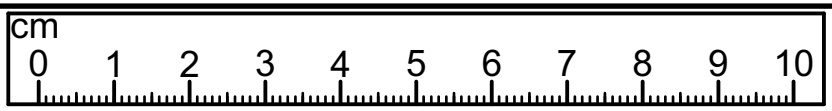
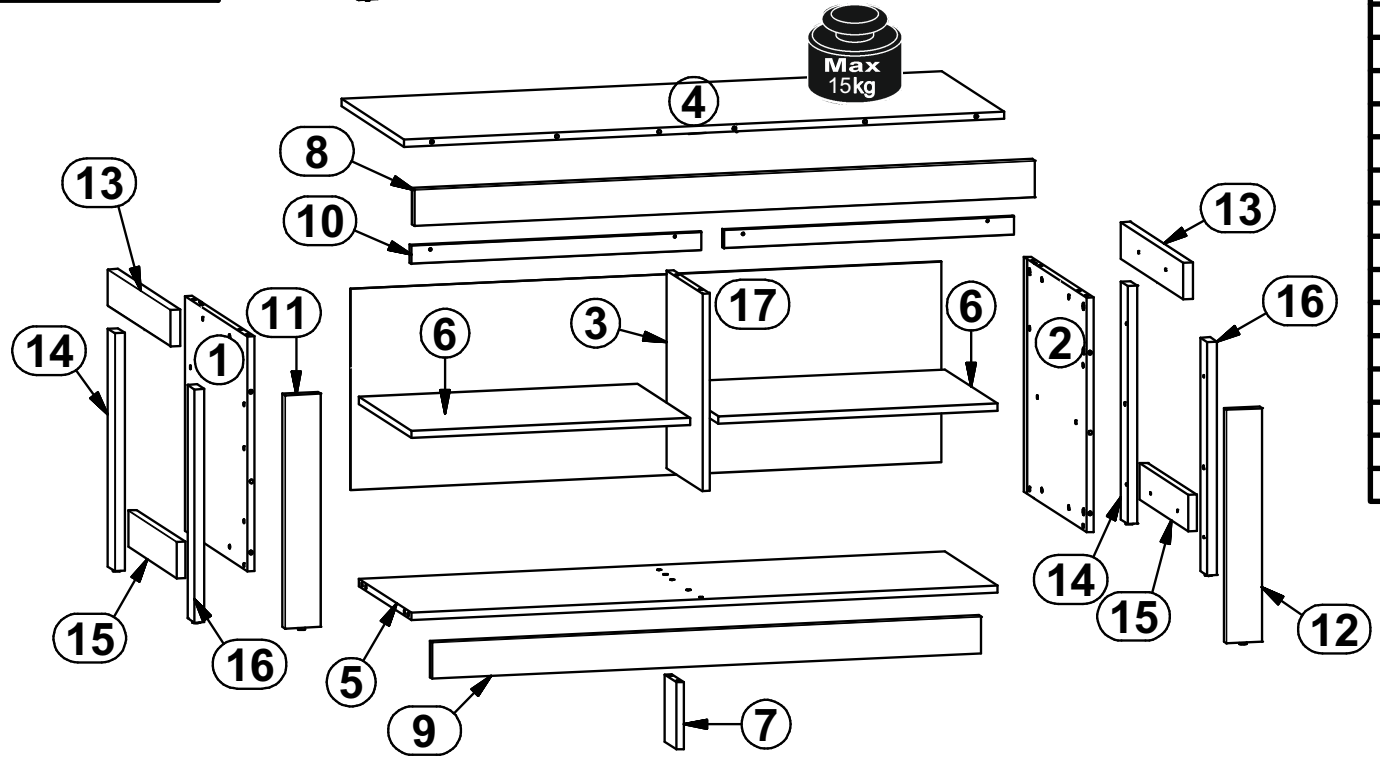
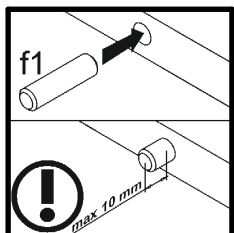
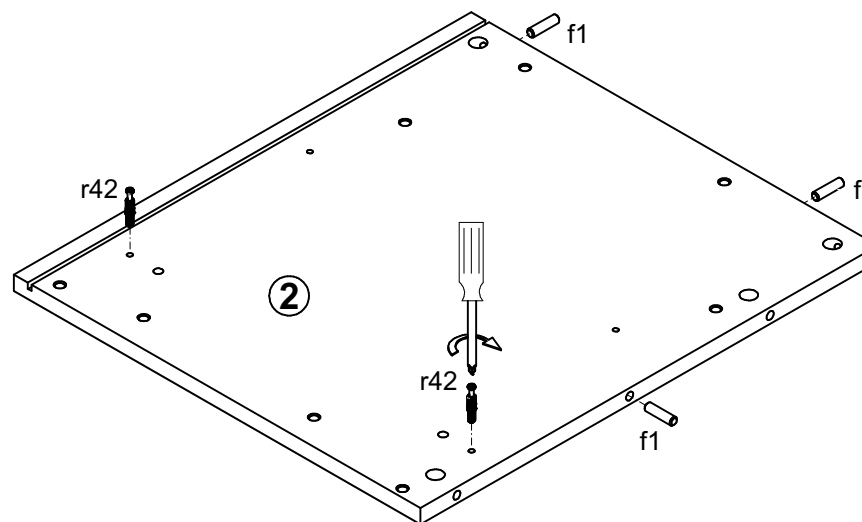
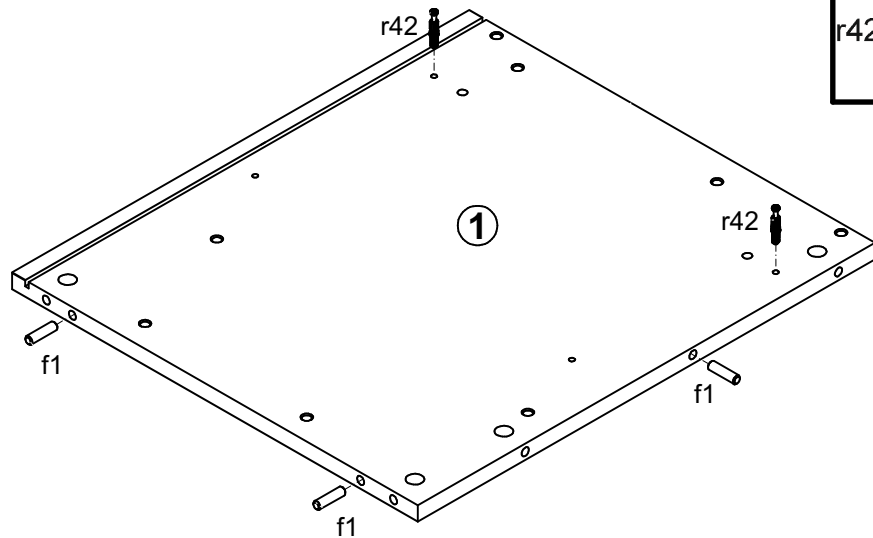
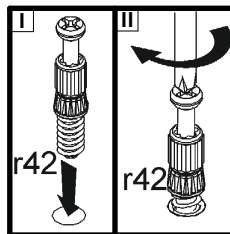


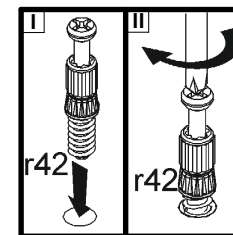
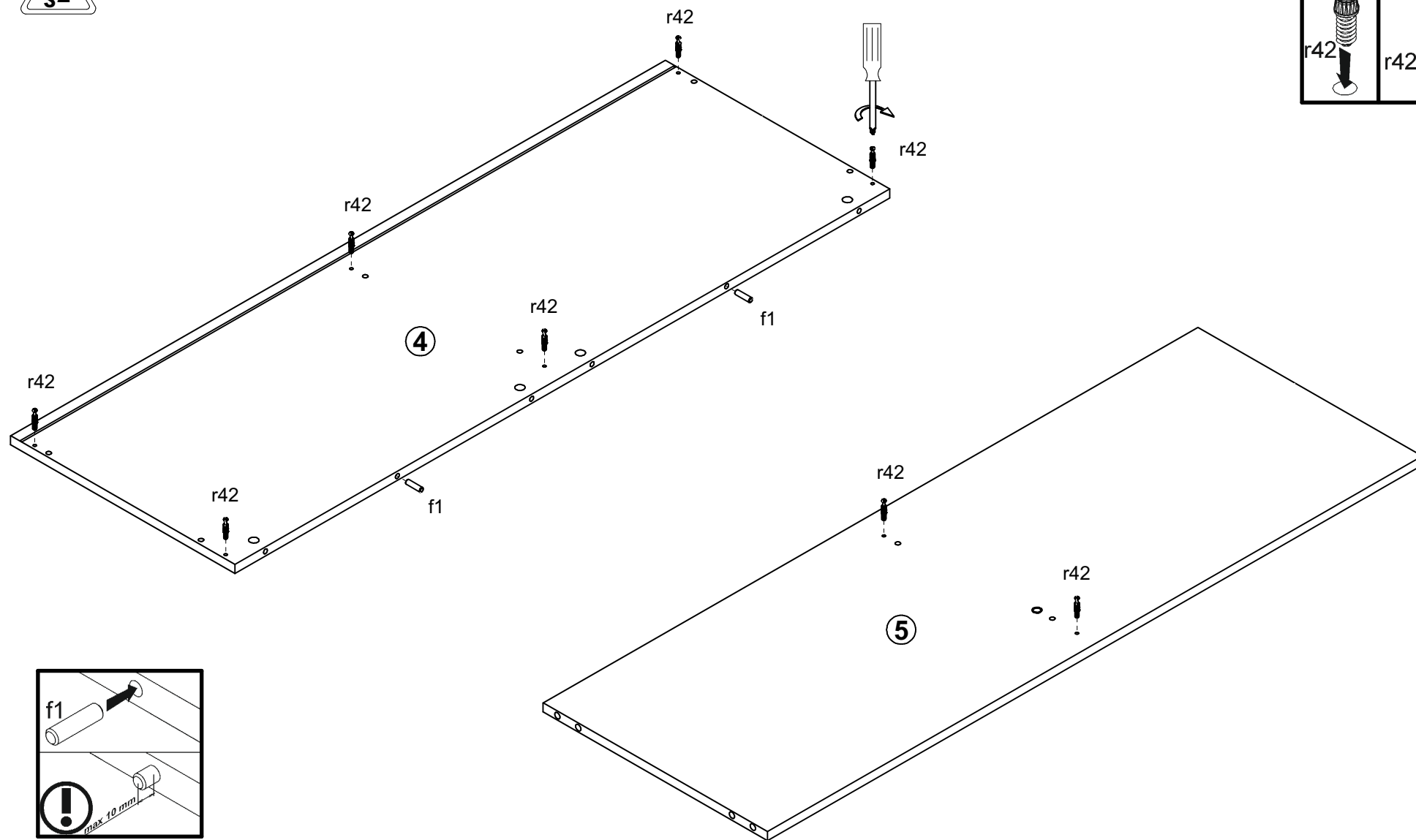
A	B	C (mm)		D
1	S228-1158	414	367	1/1
2	S228-1157	414	367	1/1
3	S228-1156	321,5	347	1/1
4	S228-2232	856	367	1/1
5	S228-3359	824	347	1/1
6	S228-3358	403	340	1/1
7	S228-531	147	100	1/1
8	S228N-5610	901	80	1/1
9	S228N-5604	740	80	1/1
10	S228N-5603	402	60	1/1
11	S228N-5608	411	80	1/1
12	S228N-5609	411	80	1/1
13	S228N-5605	367	80	1/1
14	S228N-5606	421	58	1/1
15	S228N-5611	251	80	1/1
16	S228N-5607	411	58	1/1
17	S228-990	834	340	1/1



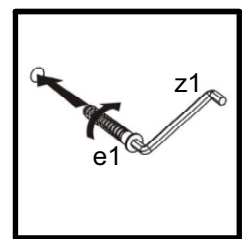
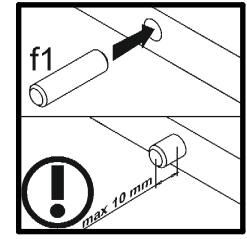
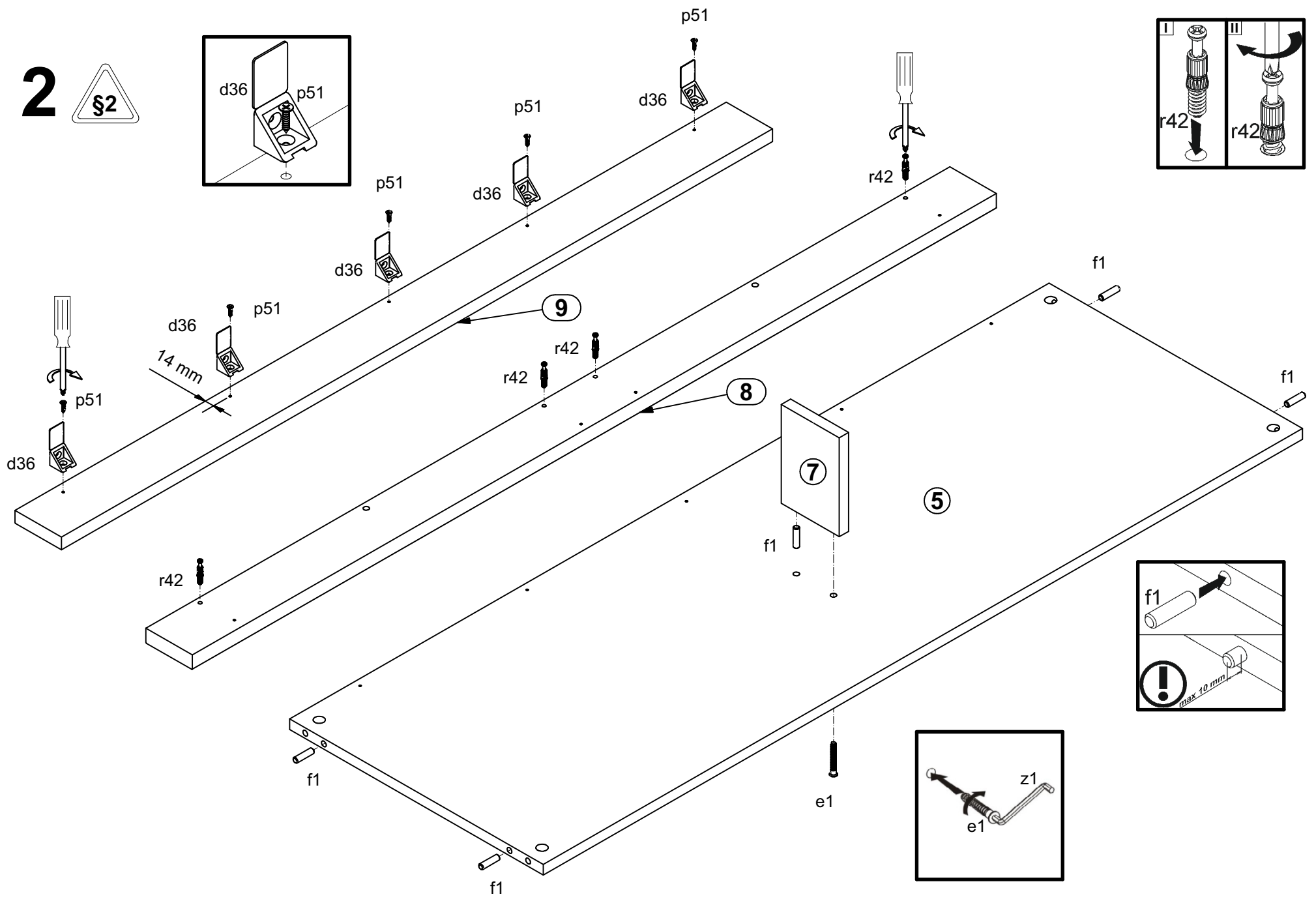
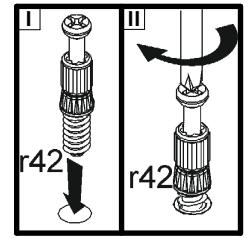
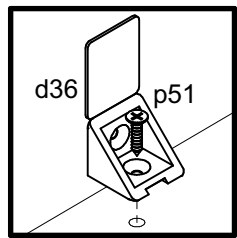
1



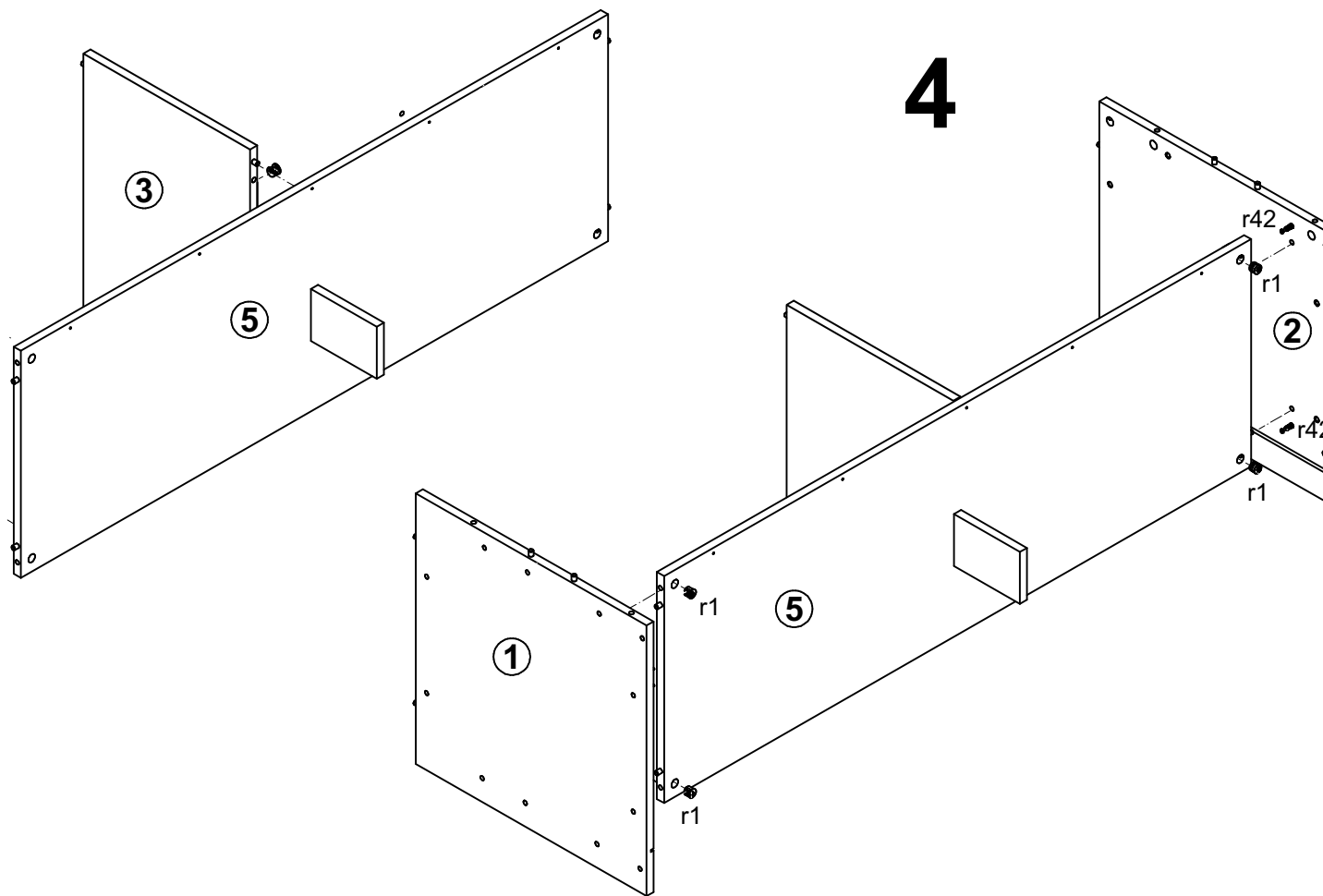
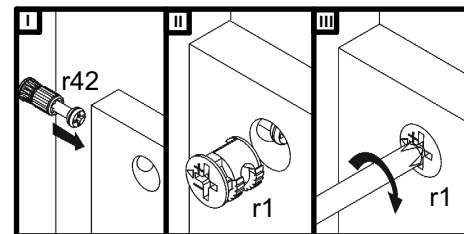
1

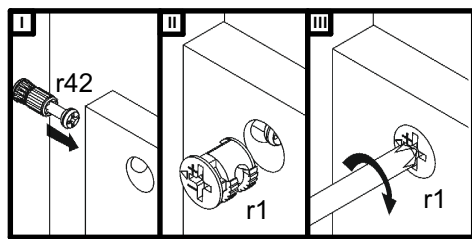
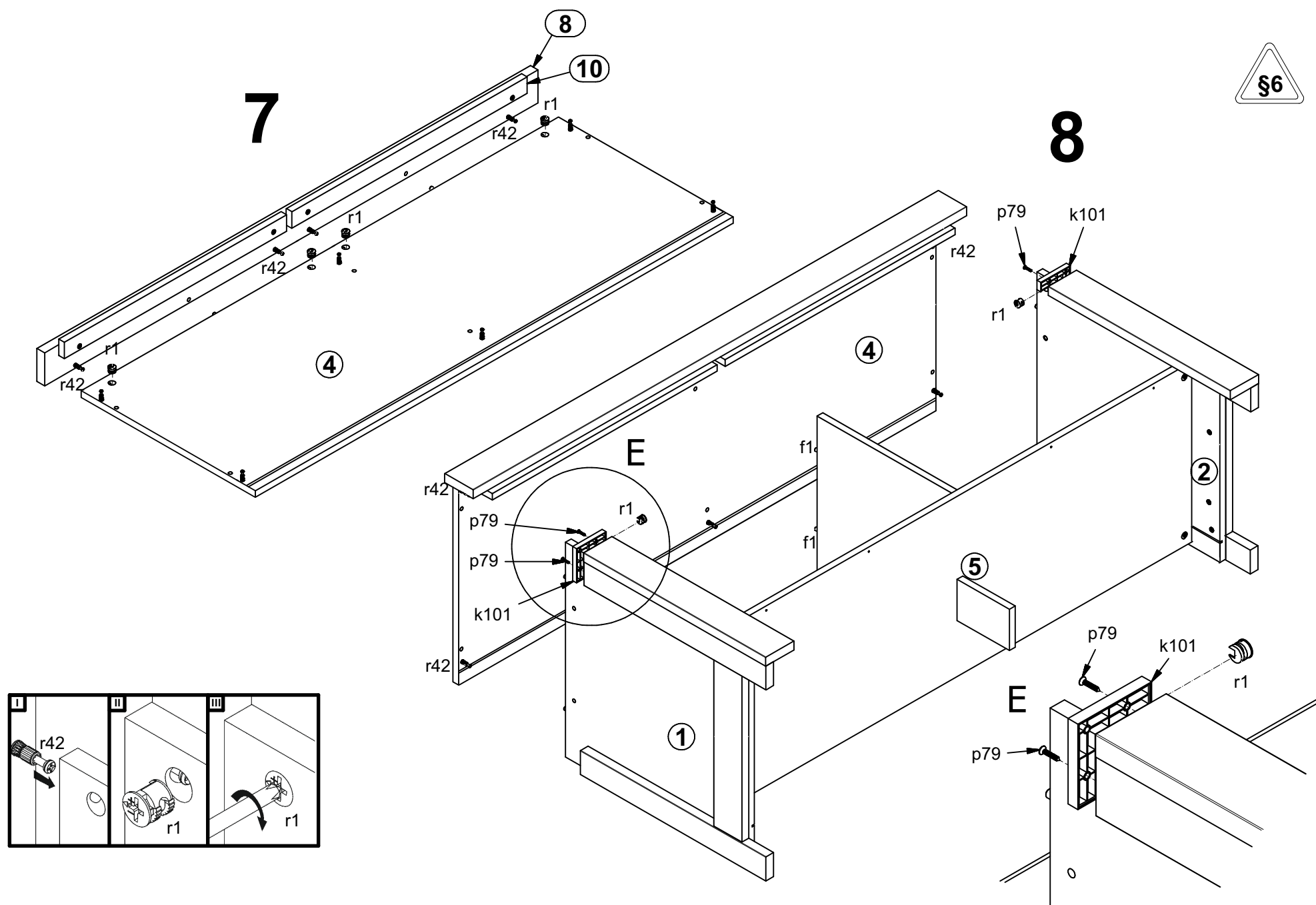


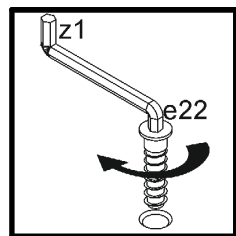
2 



3







9

13

4

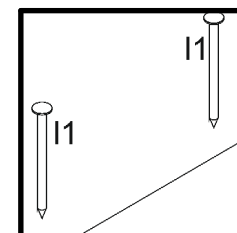
17

5

9

2

10



13

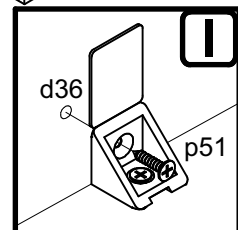
e22

d36

d36

p51

p51

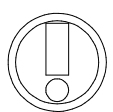


I

2

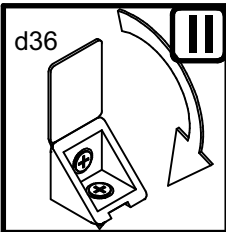
k1

k1

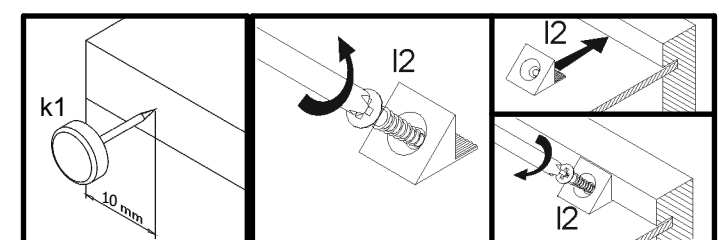


A=B

A B



II



k1

10 mm

l2

l2

l2

12

