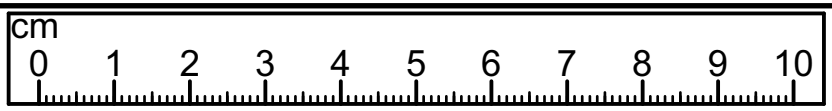
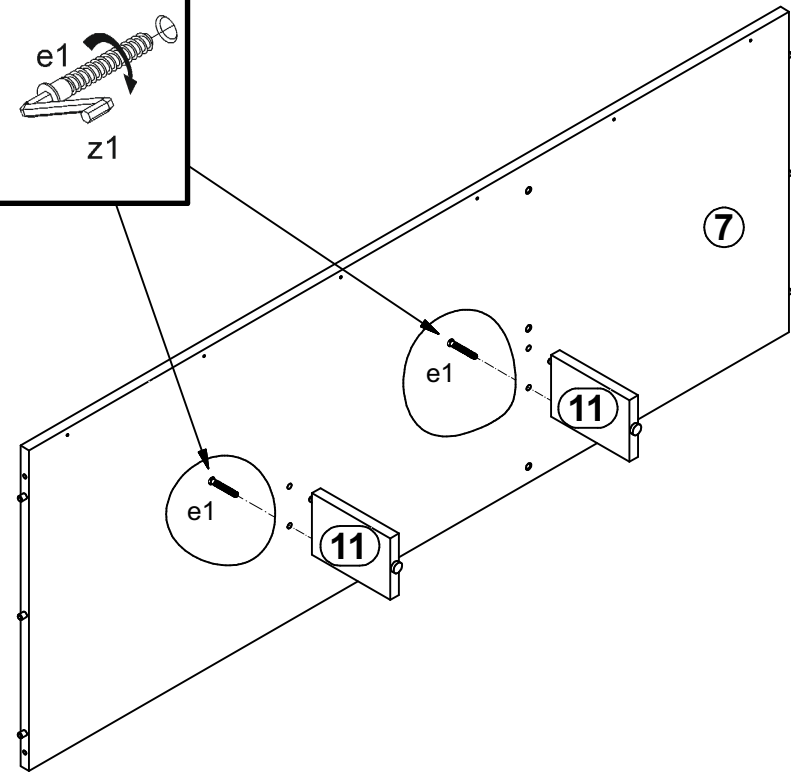
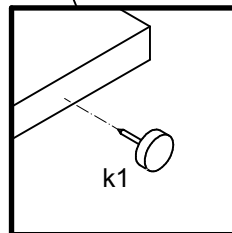
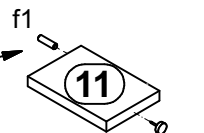
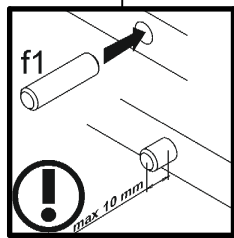
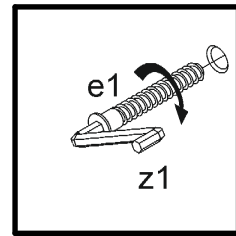
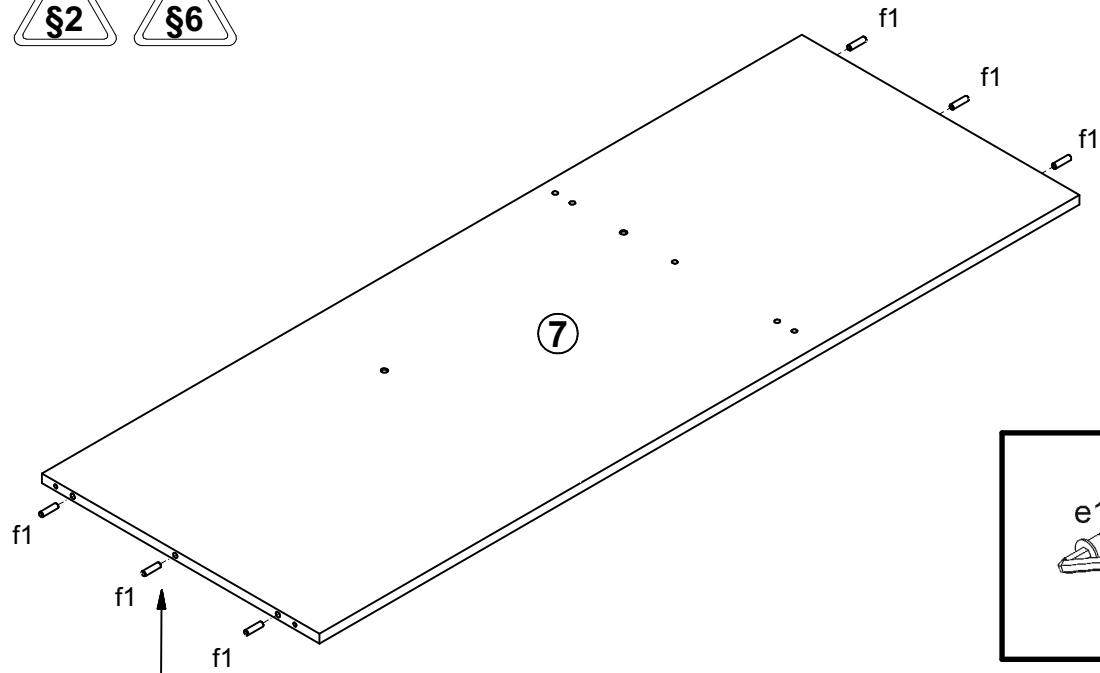


A	B	C (mm)		D
1	S228-0040	1945	496	4/5
2	S228-0060	1945	496	5/5
3	S228-1150	2109	540	1/5
4	S228-1151	2109	540	1/5
5	S228-1152	2015,5	520	1/5
6	S228-2230	1630	540	2/5
7	S228-3350	1598	520	2/5
8	S228-3351	1044	517	2/5
9	S228-3352	537	515	2/5
10	S228-3353	538	520	2/5
11	S228-531	147	100	2/5
12	S228N-5581	540	80	2/5
13	S228N-5596	2115	58	3/5
14	S228N-5583	424	80	2/5
15	S228N-5597	2105	58	3/5
16	S228N-5592	1675	80	3/5
17	S228N-5598	1514	80	3/5
18	S228N-5593	1042	60	2/5
19	S228N-5599	2105	80	3/5
20	S228N-5600	2105	80	3/5
21	S228-5595	536	60	2/5
22	S228-5591	1945	29	4/5
23	S228-980	2035	552	5/5
24	S228-981	2035	528	1/5
25	dr-1040	1040	30	2/5
26	Lh-2005	2005	14	1/5

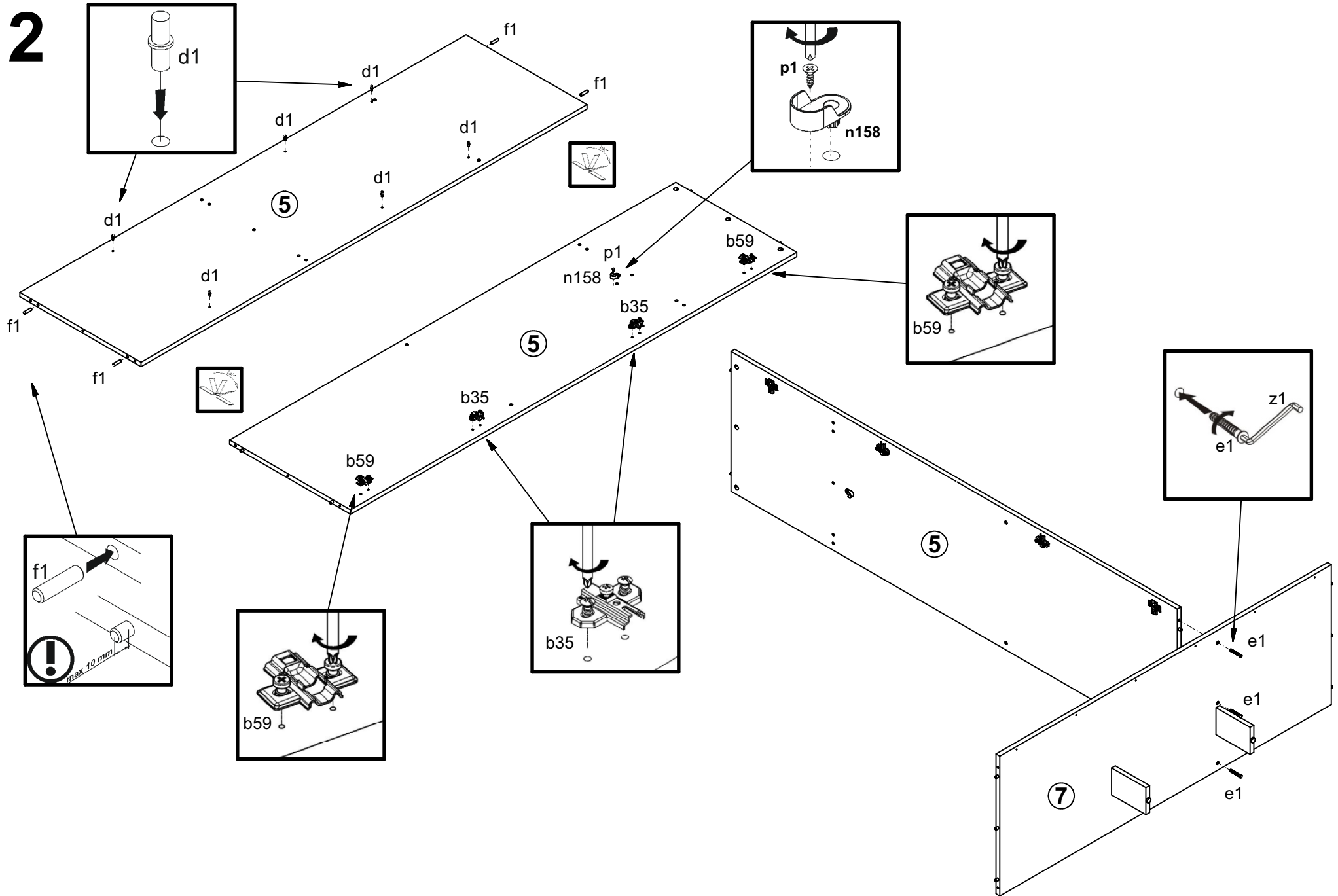


2x K91_435 a103	8x a132	4x a133	2x K91.5 a68	2x D3 b35	8x D4 b43	2x D2 b59	2x 192 mm c2801	12x Ø5x17 mm d1	6x d36	17x L7 x50 mm e1	16x L6_3x13 mm e2	24x L7 x28 mm e22
40x L8 x30 mm f1	16x L8 x20 mm f13	1x L1 x50 mm f35	4x M4x22 mm j30	8x k1	2x k101	30x l1	18x l2	1x 86x21x15/1,5 n14/2	10x 20x13x3,5/1 n108	2x n158	2x L6_5x13 mm p1	1x L5 x60 mm p17
11x L8_5x16 mm p38	36x L8_5x15 mm p51	10x L2_9x16 mm p55	4x L3_5x20 mm p79	6x L4 x25 mm p8	25x L1 5x12 mm #16 r1	25x 20/11 r42	20x s1	17x L1/6 s2	1x z1			

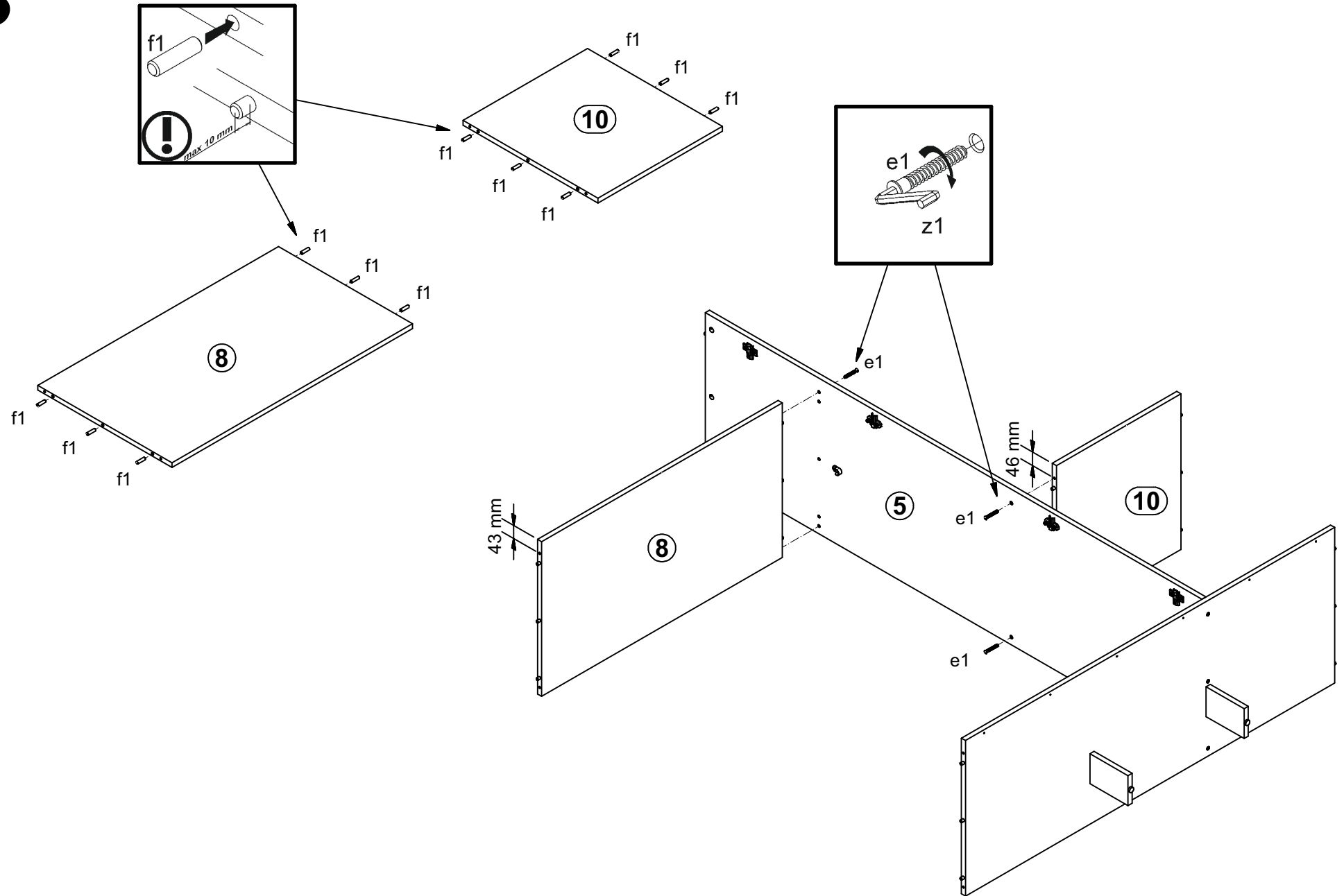
1



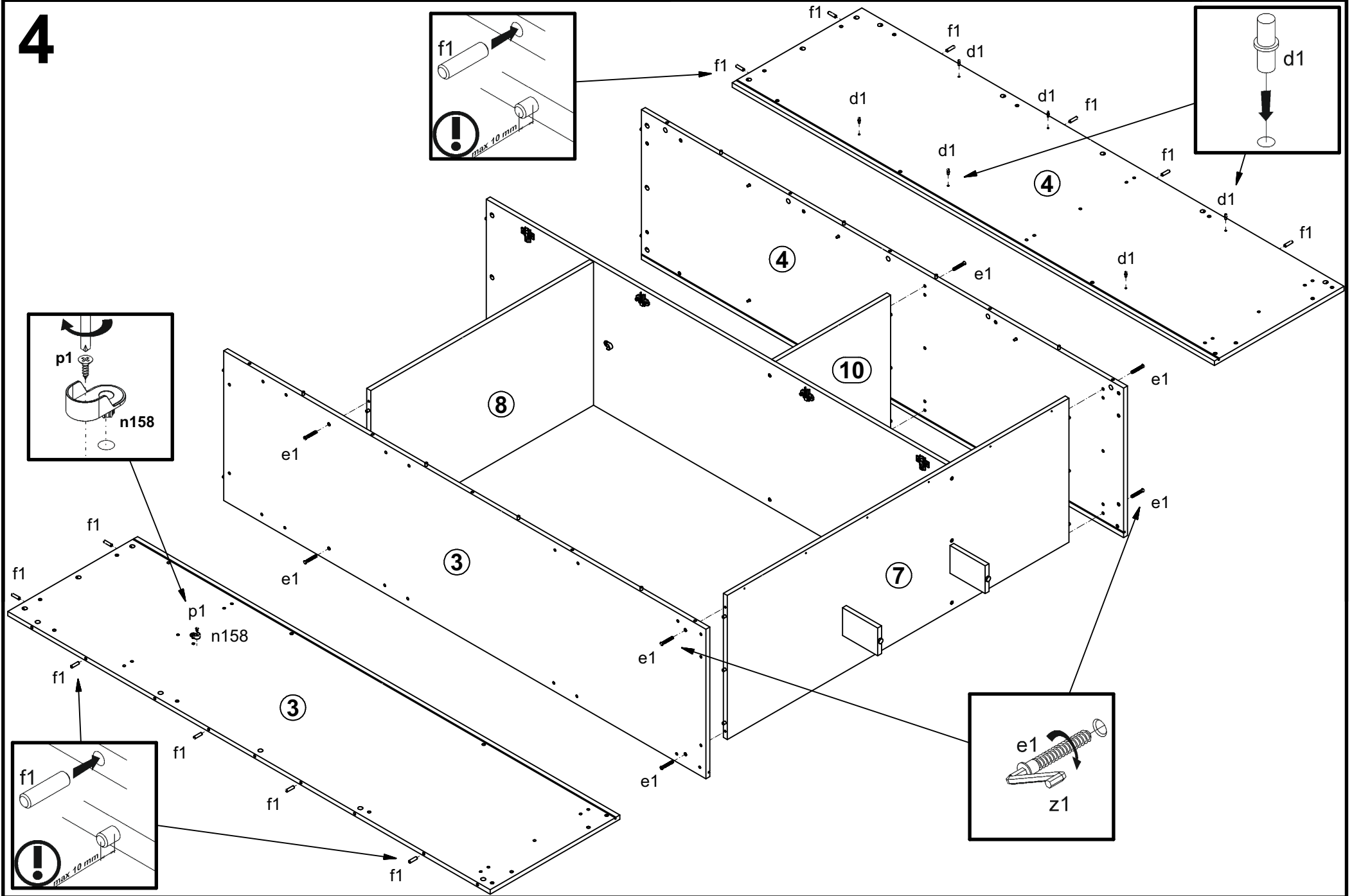
2



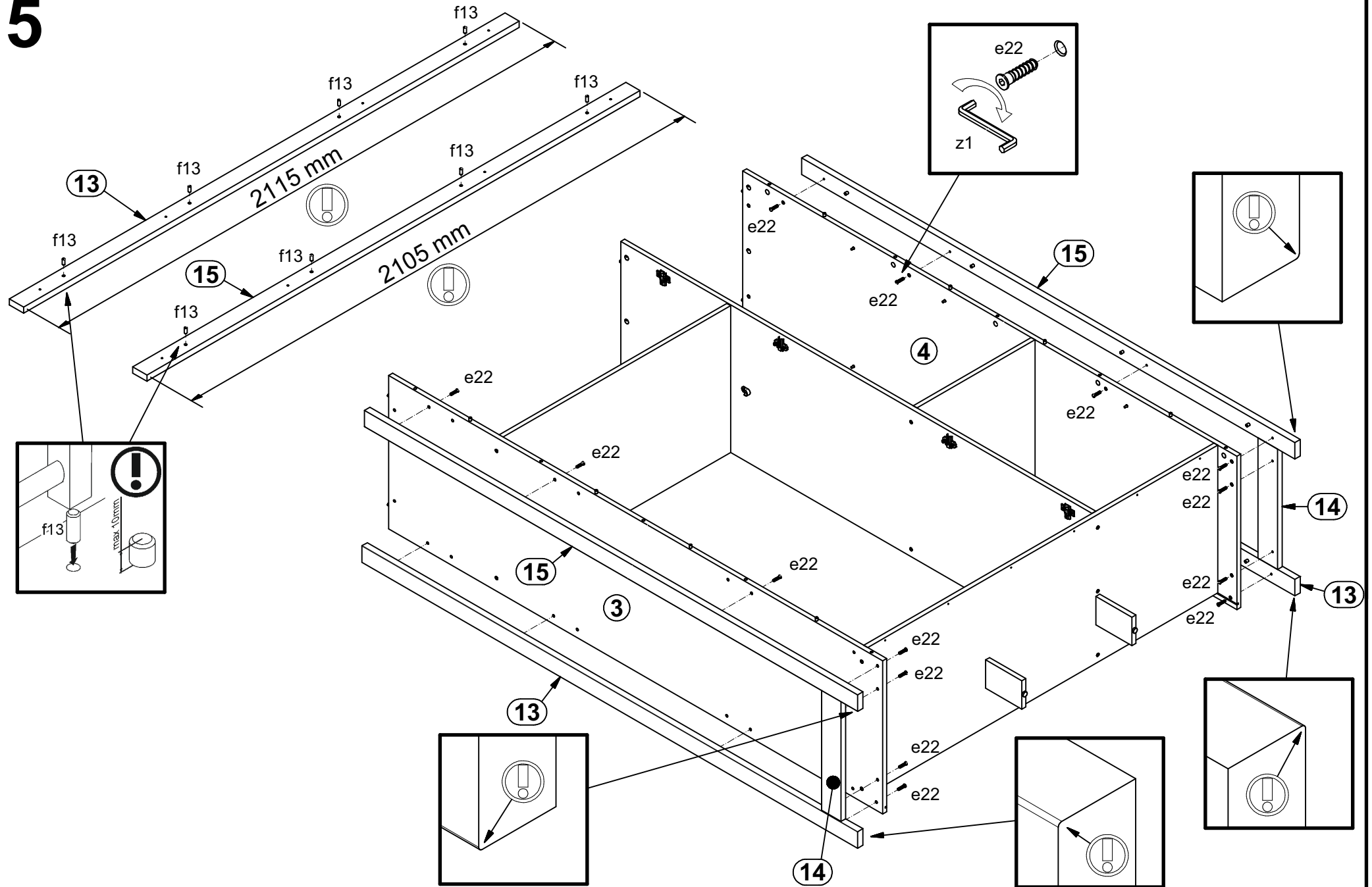
3



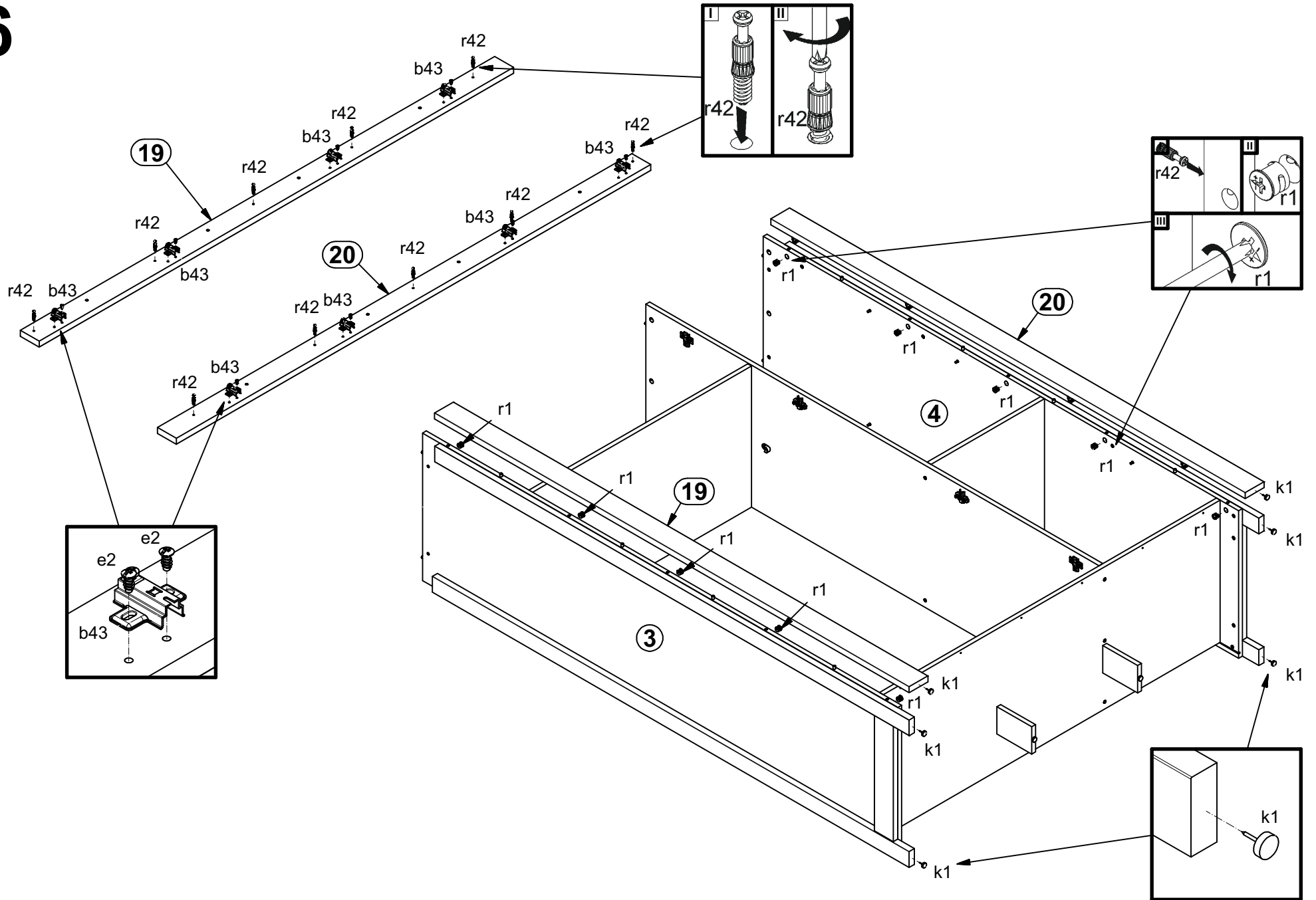
4

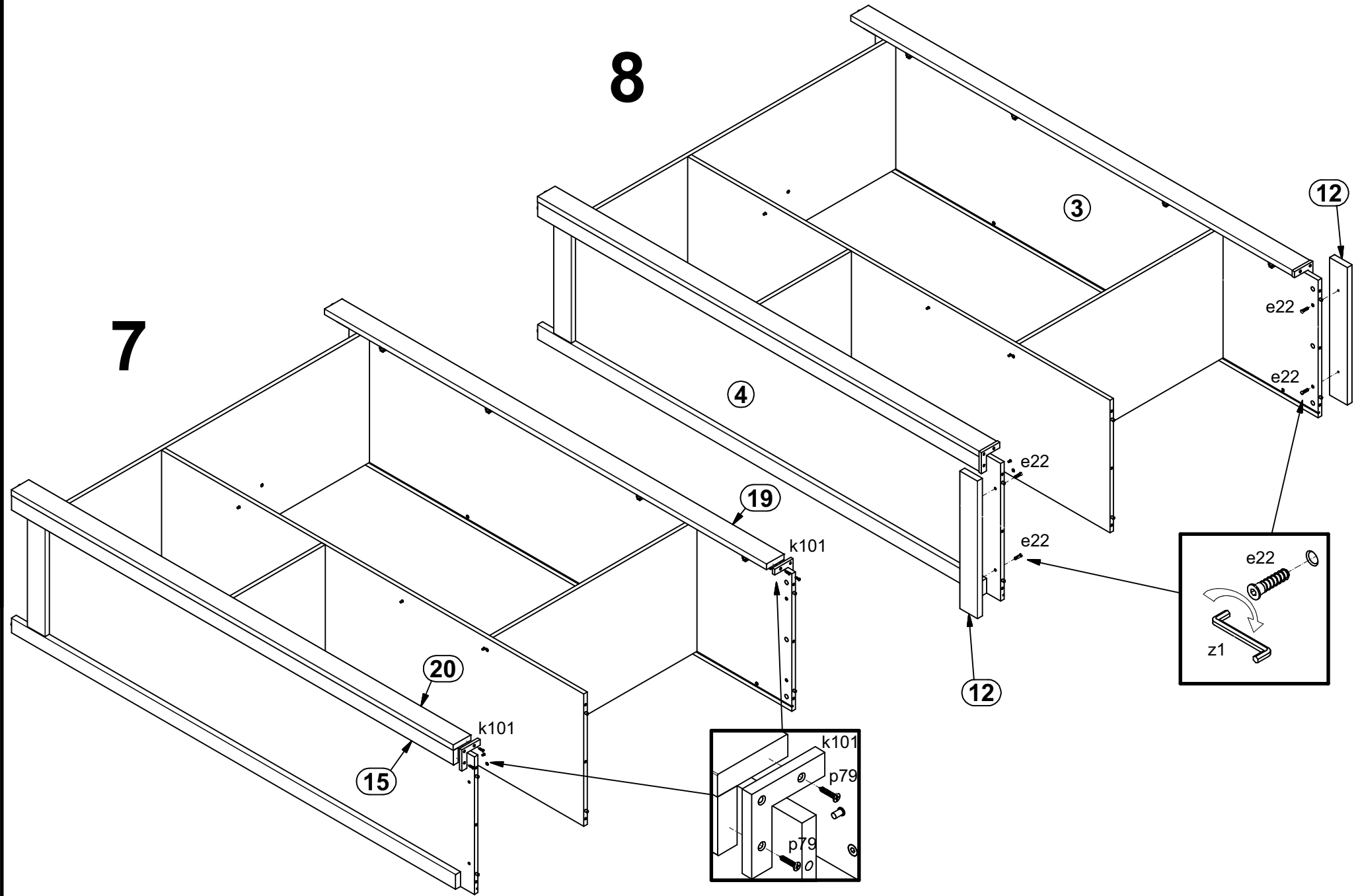


5

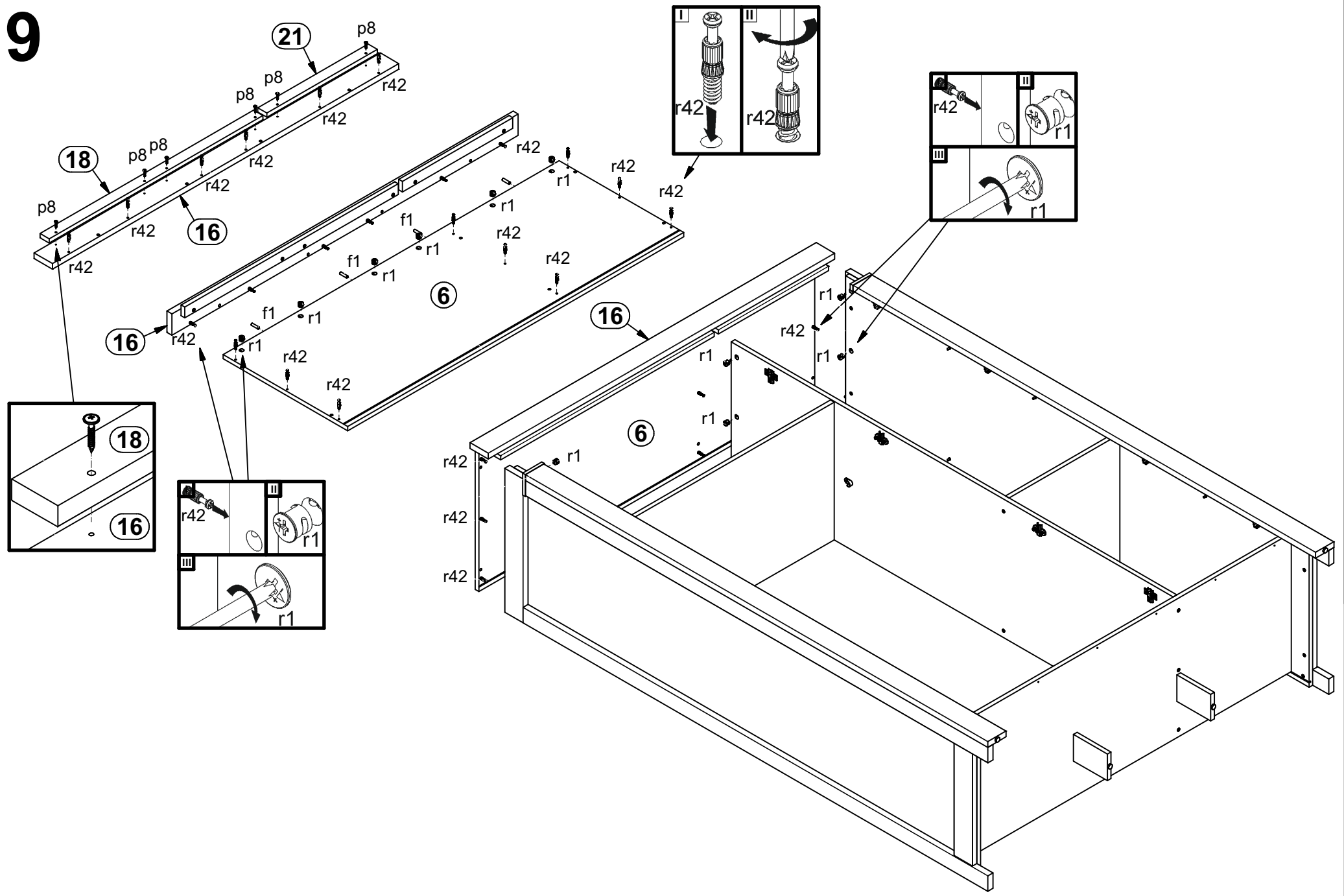


6

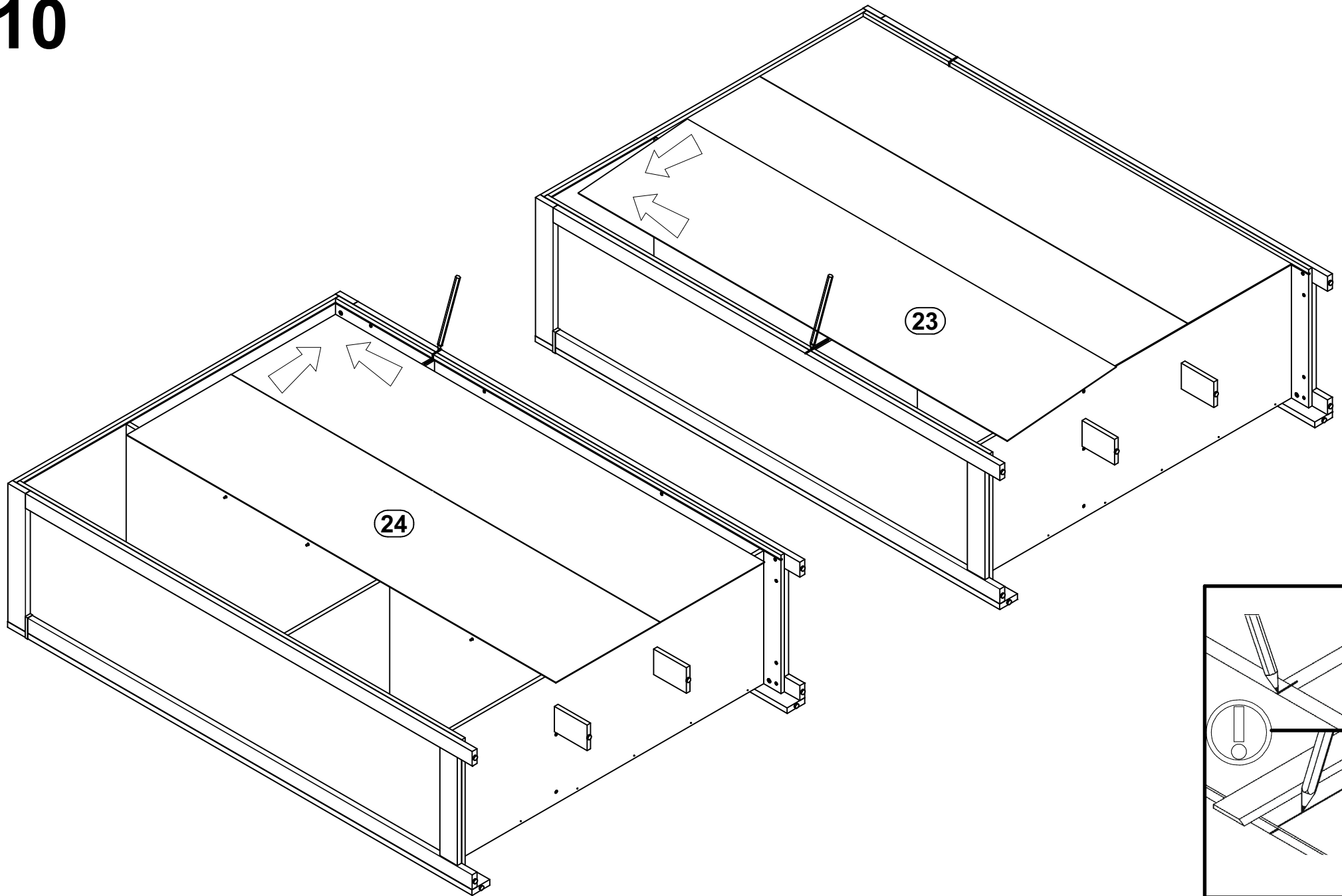




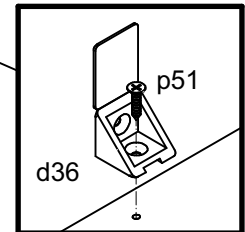
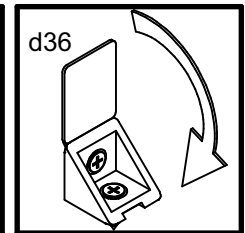
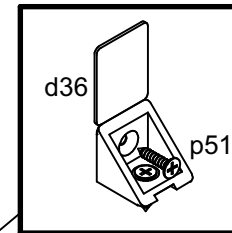
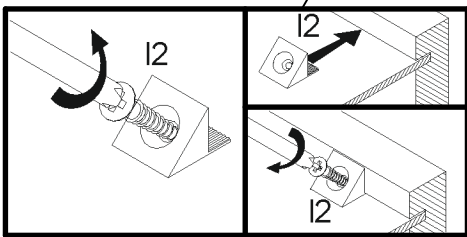
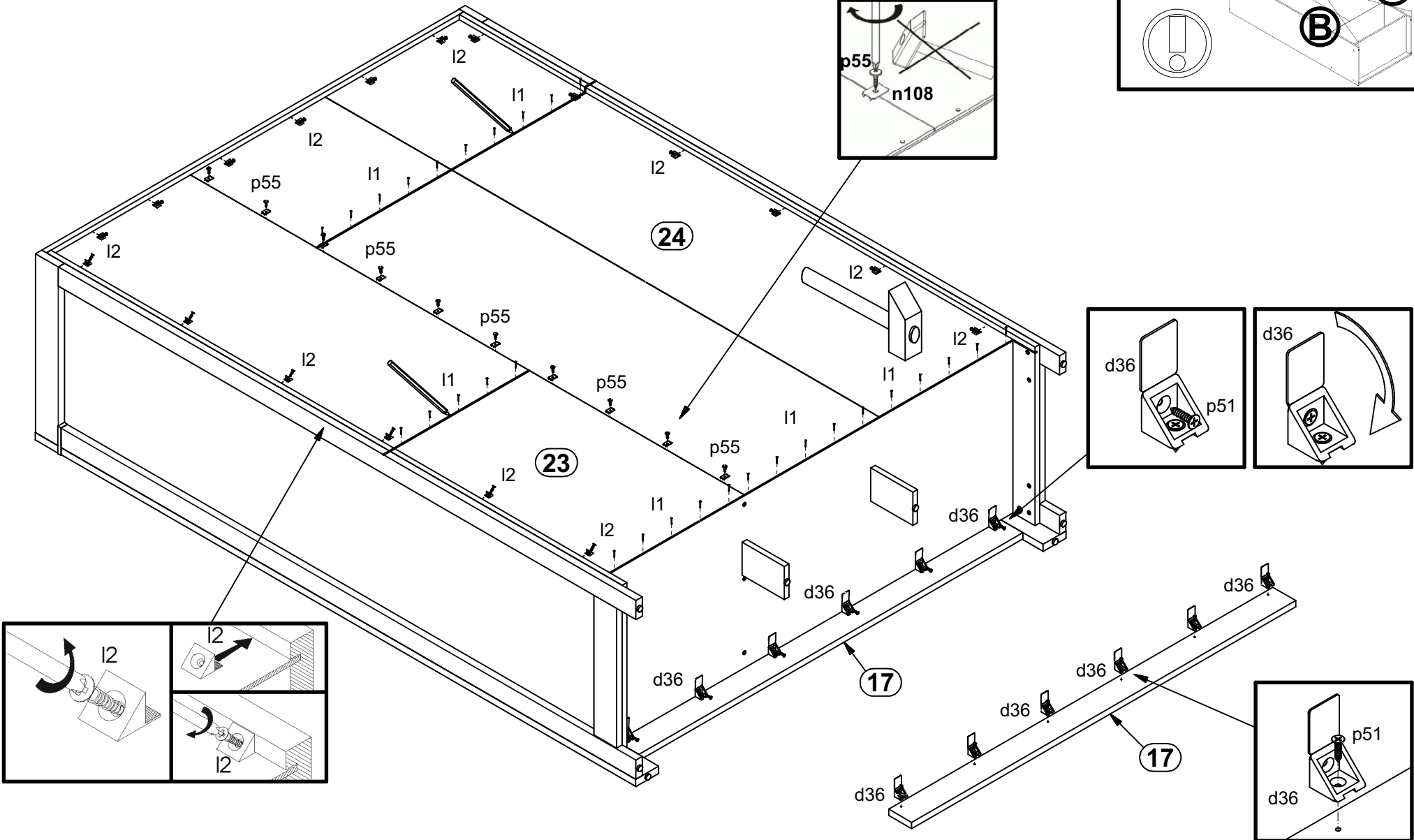
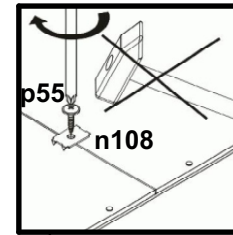
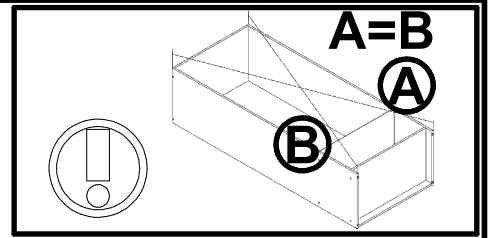
9



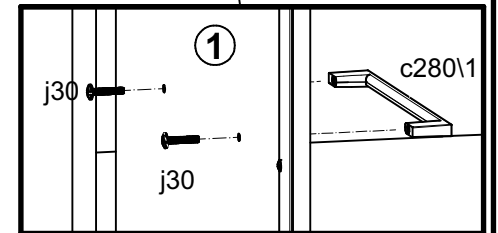
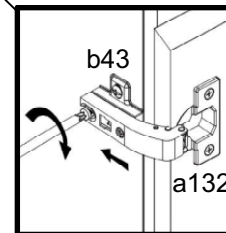
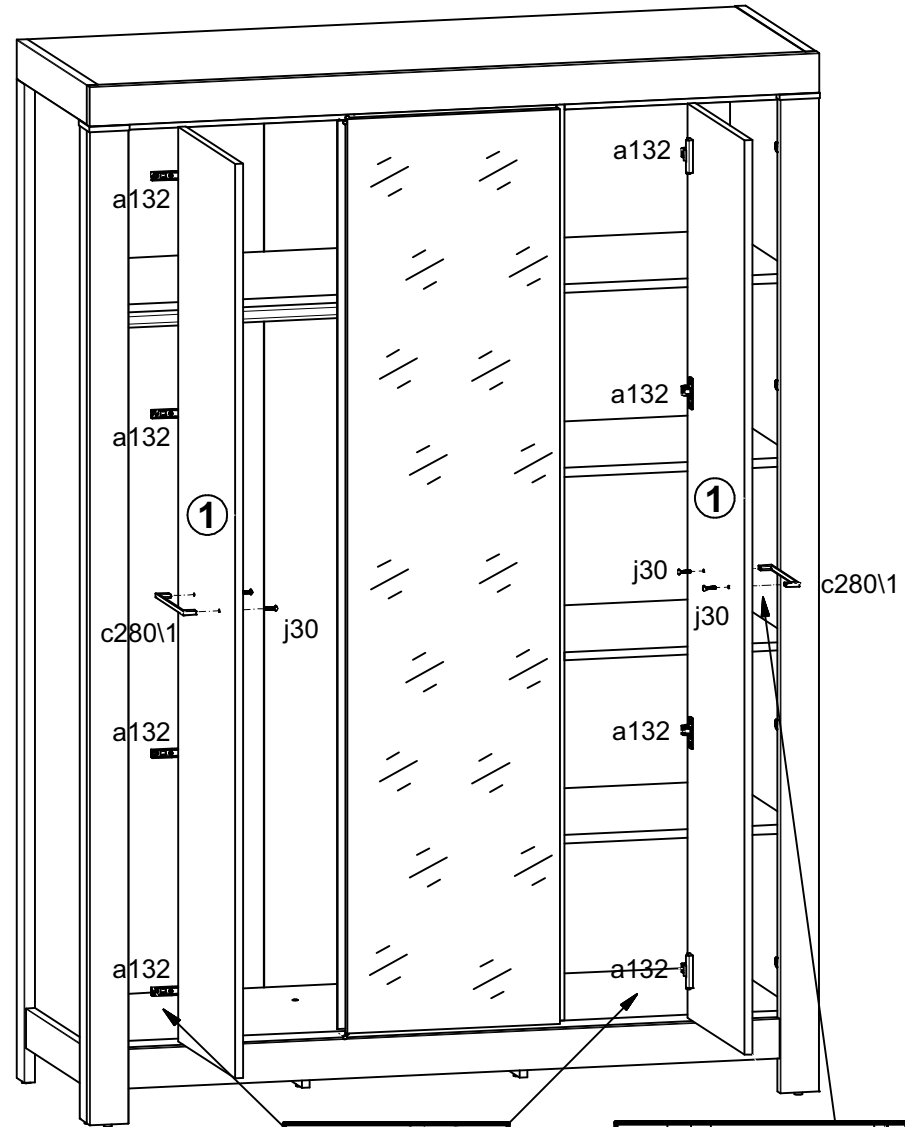
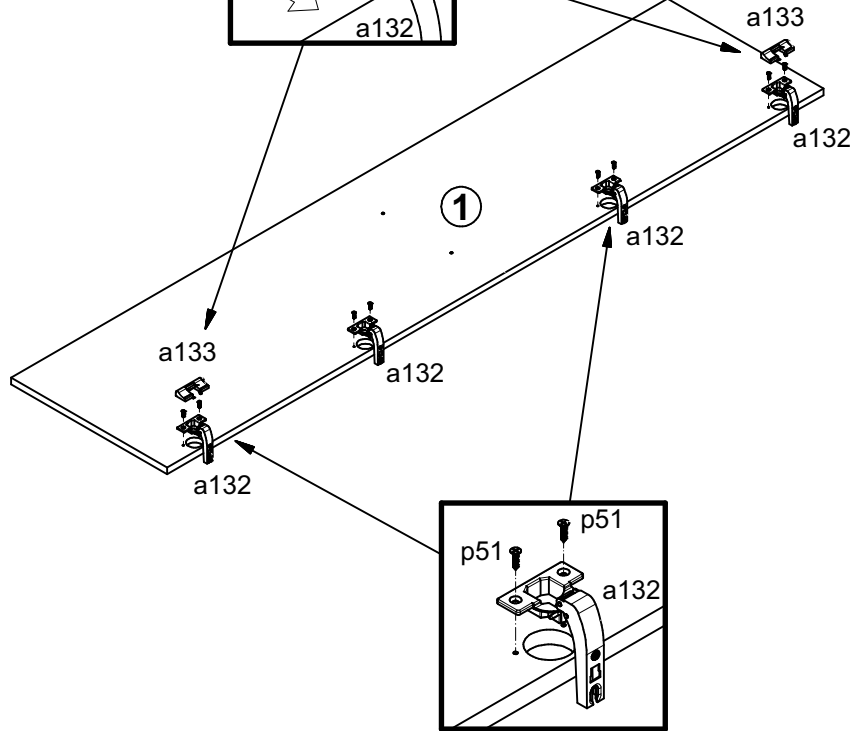
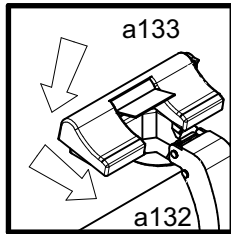
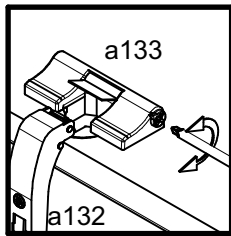
10



11



13



14

