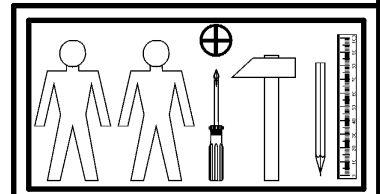
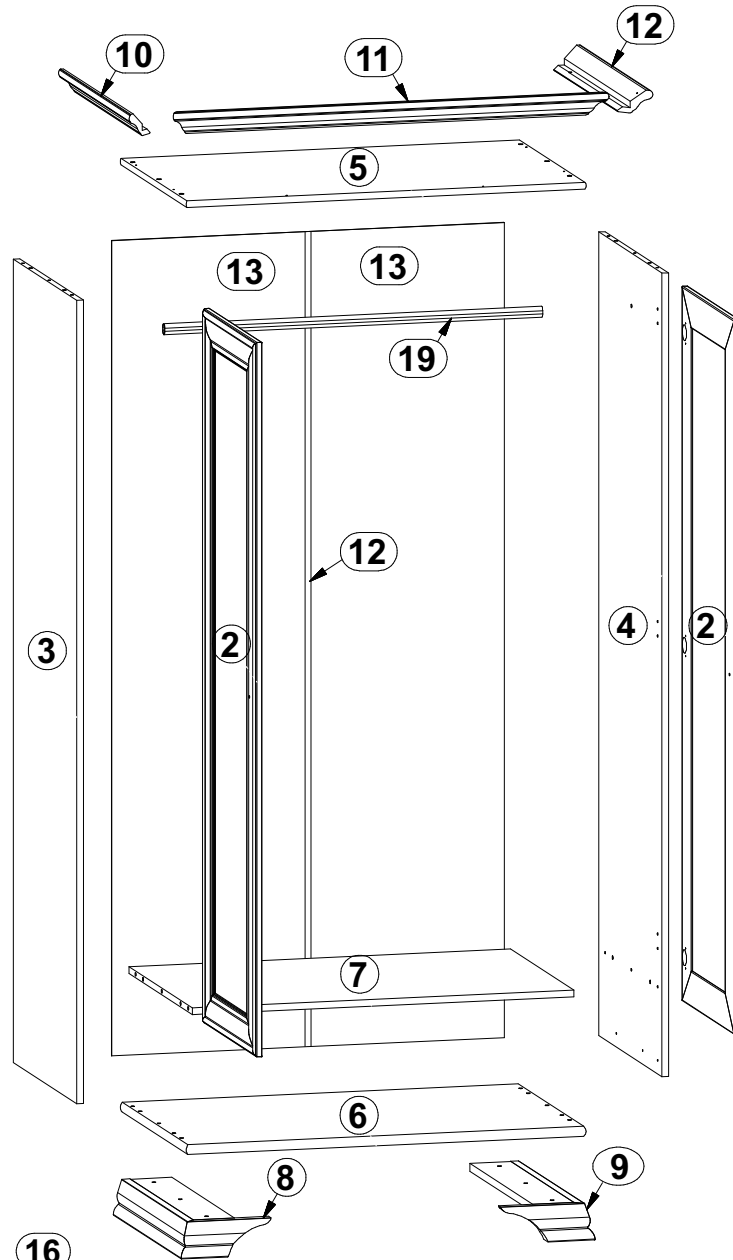
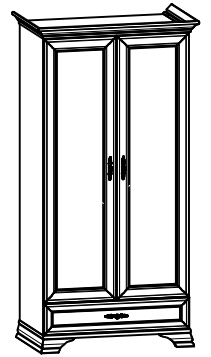


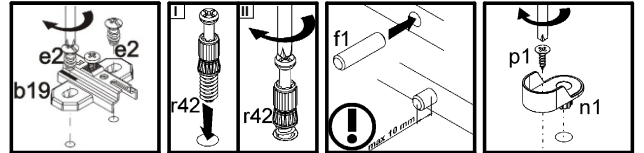
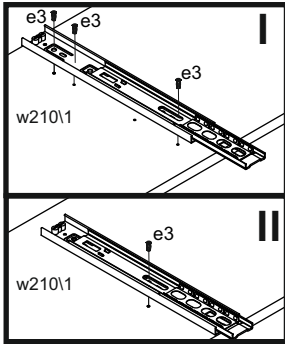
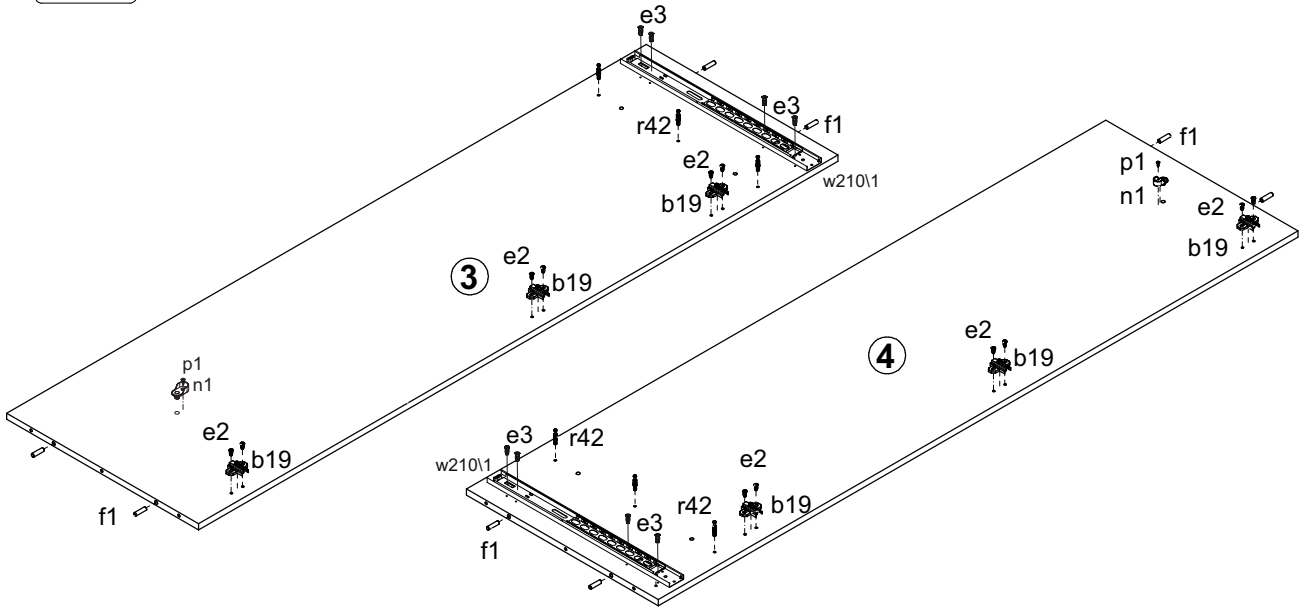
# S320-SZF2D1S(N)

A	B	C	D	
1	S320-0002N	896	188	6/6
2	S320-0001N	1728	446	5/6
3	S320-1101N	1928	540	1/6
4	S320-1102N	1928	540	1/6
5	S320-201	912	562	2/6
6	S320-202	912	562	2/6
7	S320-301	868	540	2/6
8	S320-501	578	210	4/6
9	S320-502	578	210	4/6
10	S320-503	603	80	3/6
11	S320-504	994	80	3/6
12	S320-505	603	80	3/6
13	S320-1901N	1954	446	1/6
14	S320-902N	825	498	2/6
15	S320-565N	500	120	2/6
16	S320-566N	500	120	2/6
17	S320-5540N	810	120	2/6
18	Lh-1922	1922	14	1/6
19	dr-862	865	22	2/6

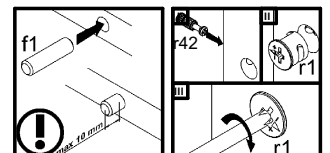
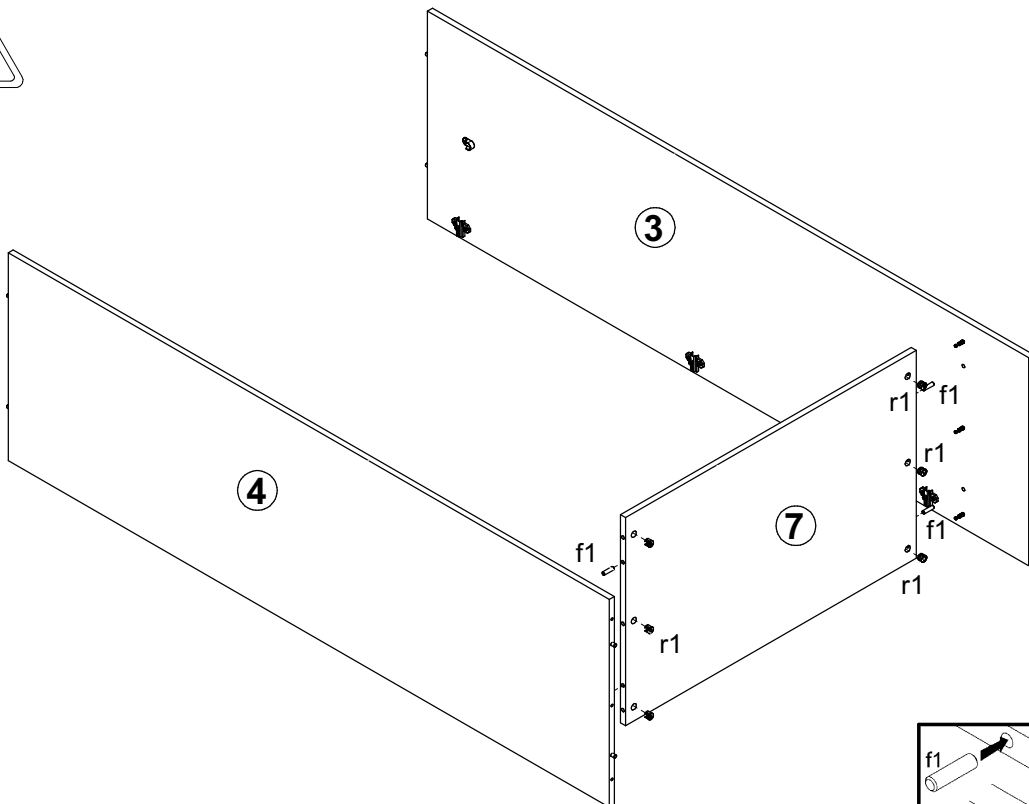


6x  a44	6x  b19	12x  φ7x60 mm e8	12x  φ6,3x13 mm e2	6x  φ7x35 mm e26	2x  500 mm w210/1	2x  500 mm w210/2	8x  φ3,5x12 mm p140	6x  φ4x25 mm p8
1x  M4x18 mm j59	2x  M4x30 mm j6	65x  l1	2x  n1	2x  26x26x16/1 - 125° n40	2x  φ3,5x13 mm p1	1x  φ10x50 mm f35	1x  φ5x60 mm p17	4x  φ3x7 mm p46
12x  φ3,5x15 mm p51	10x  φ15x12mm #16 r1	10x  r42	8x  φ6x13 mm e3	14x  φ8x30 mm f1	1x  n26	1x  483 mm t17	2x  φ3,5x16 mm p25	4x  φ6,5x40 mm f25
1x  z1	4x  ø16 s2	1x  φ3,5x16 mm p38	2x  φ6,3x15 mm d4	3x  c35/1	3x  c35/2			

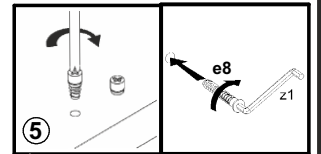
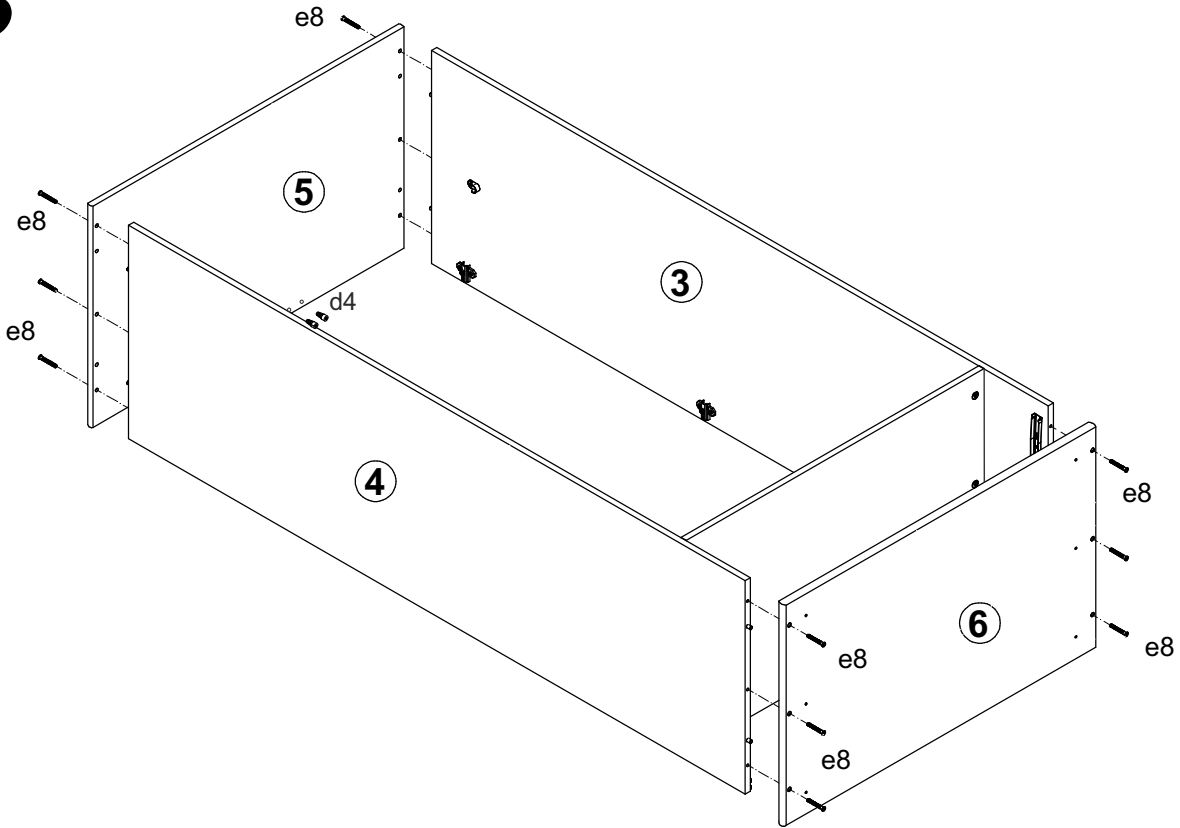
# 1



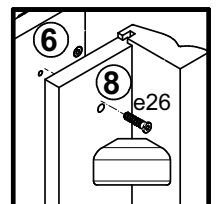
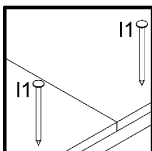
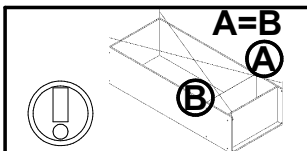
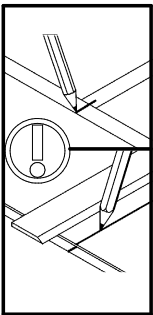
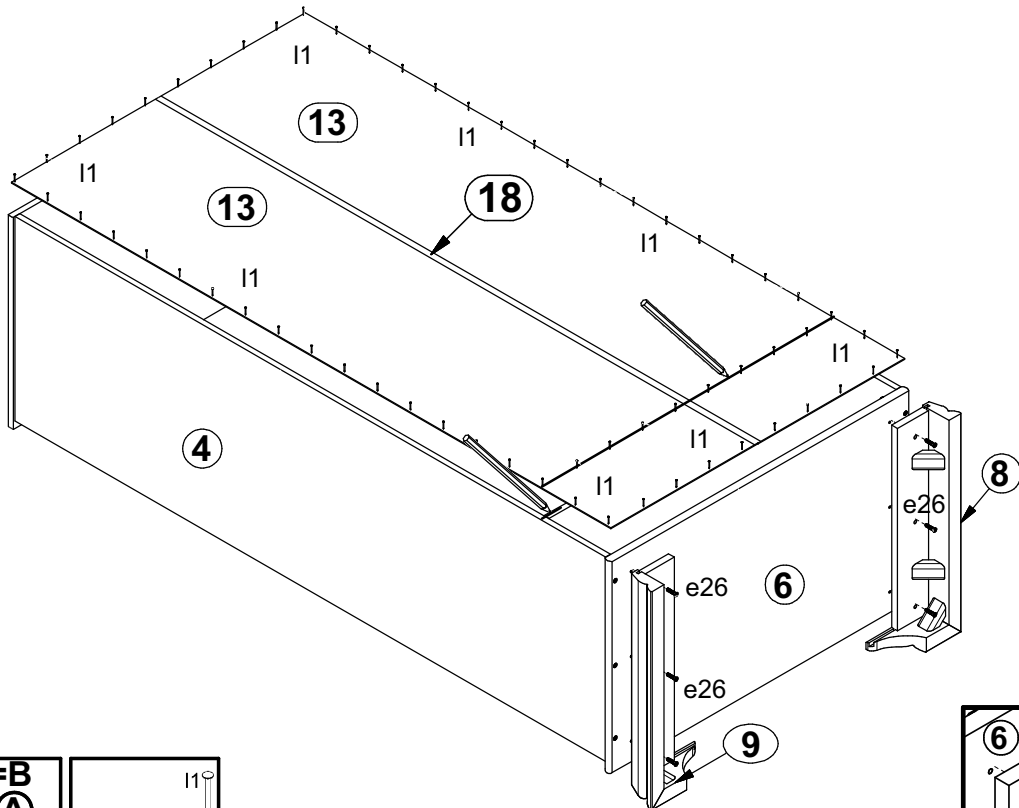
# 2



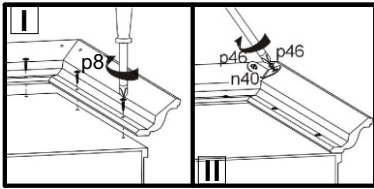
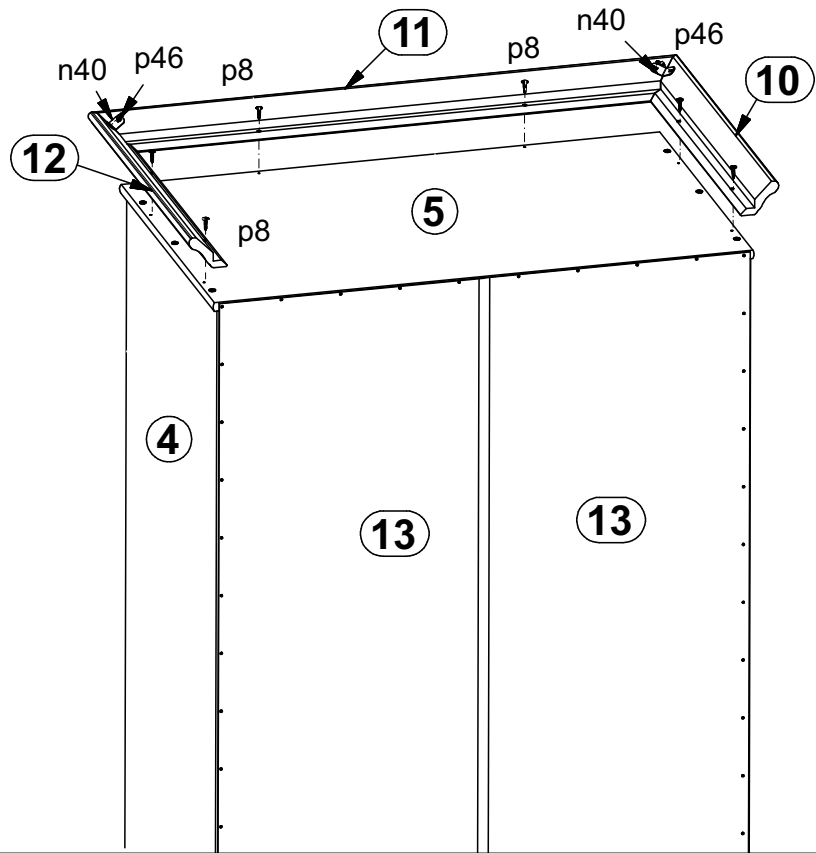
# 3



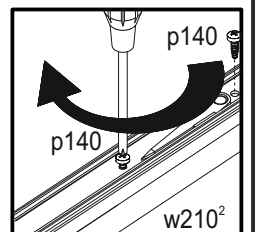
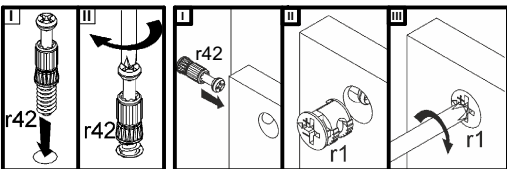
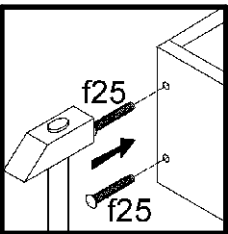
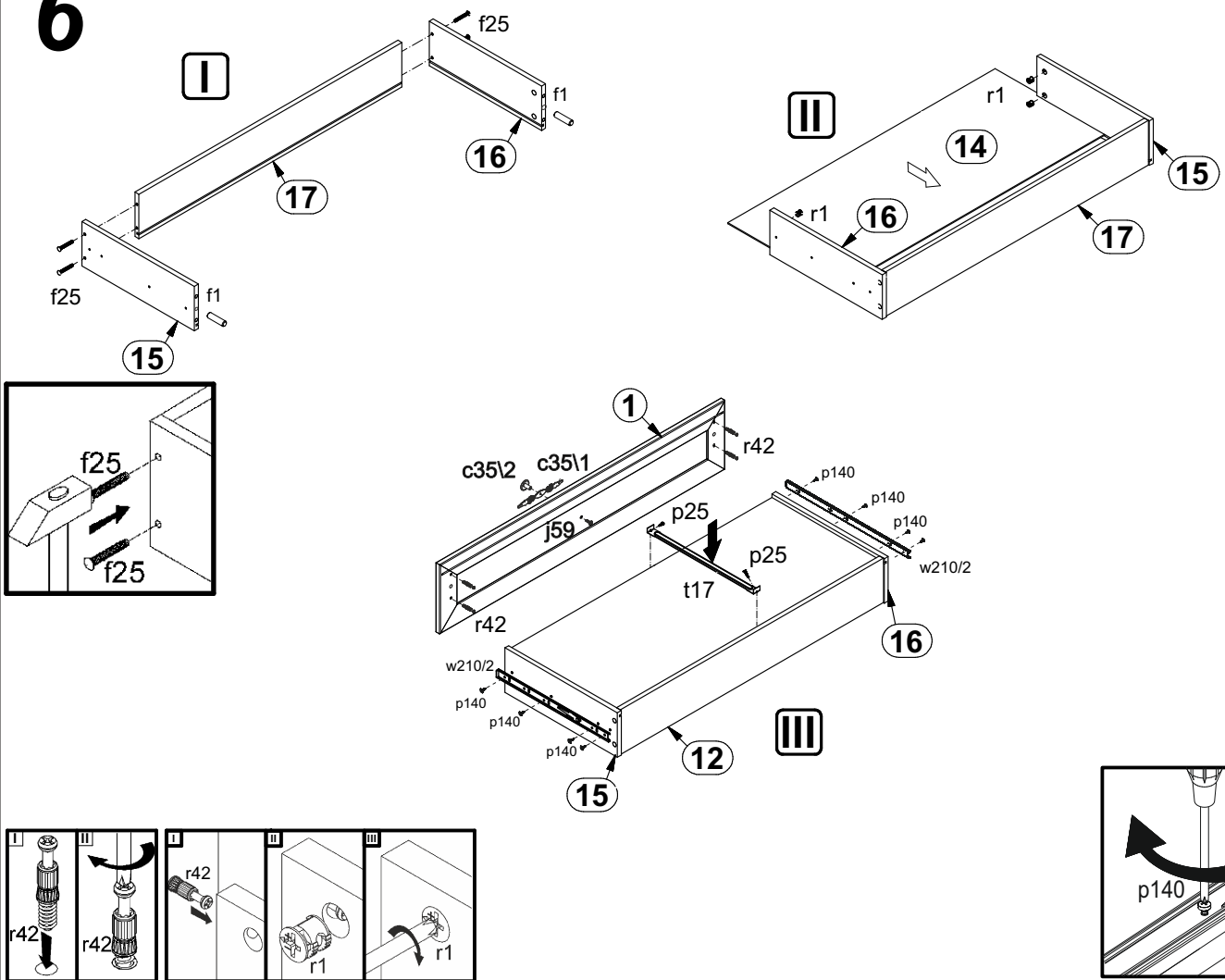
# 4



# 5



# 6



# 7

