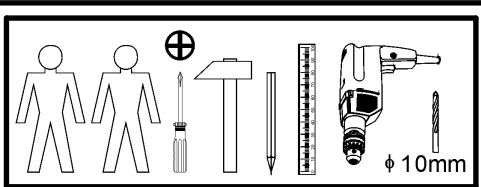
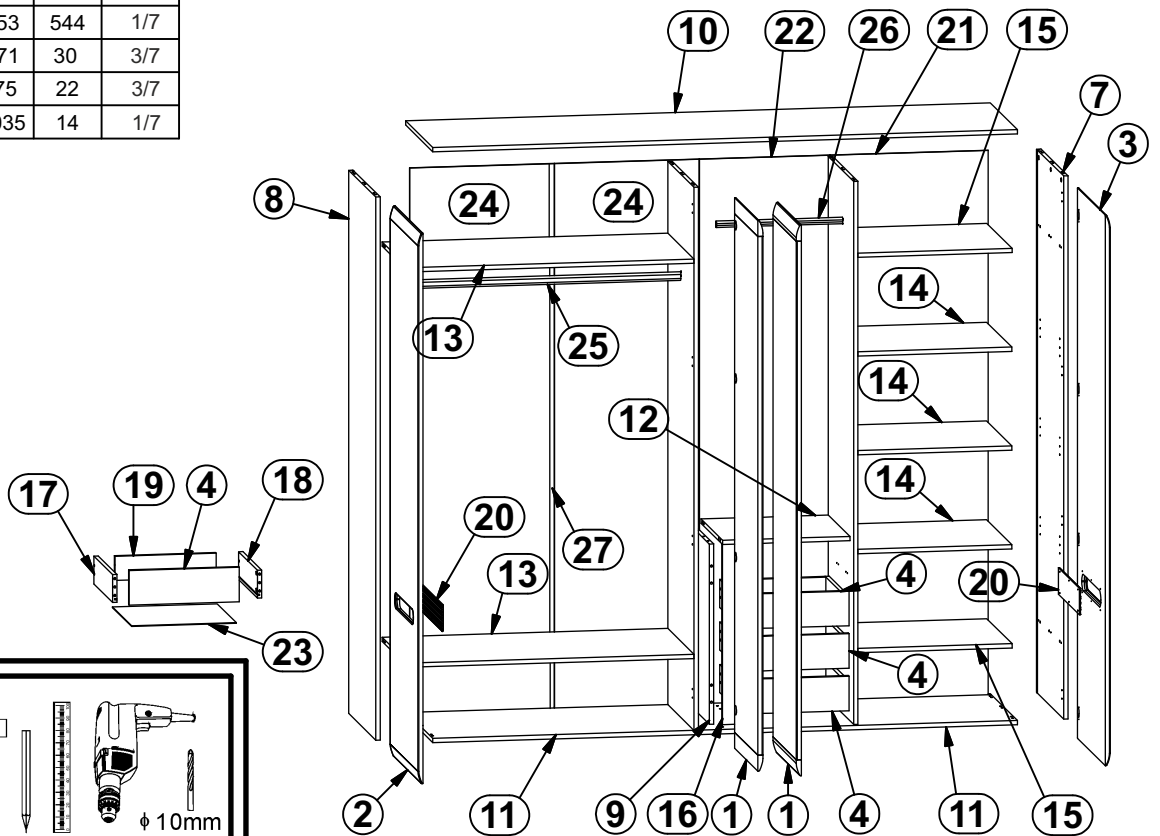
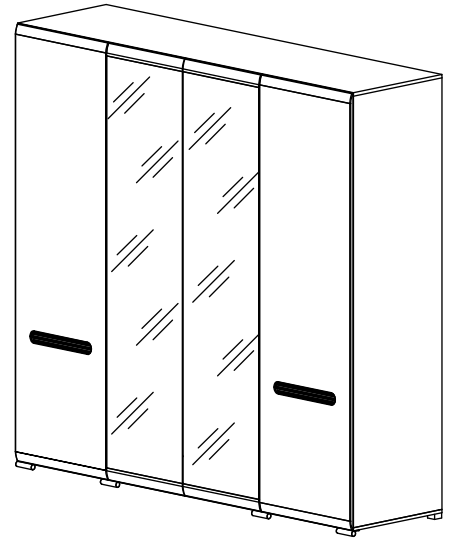


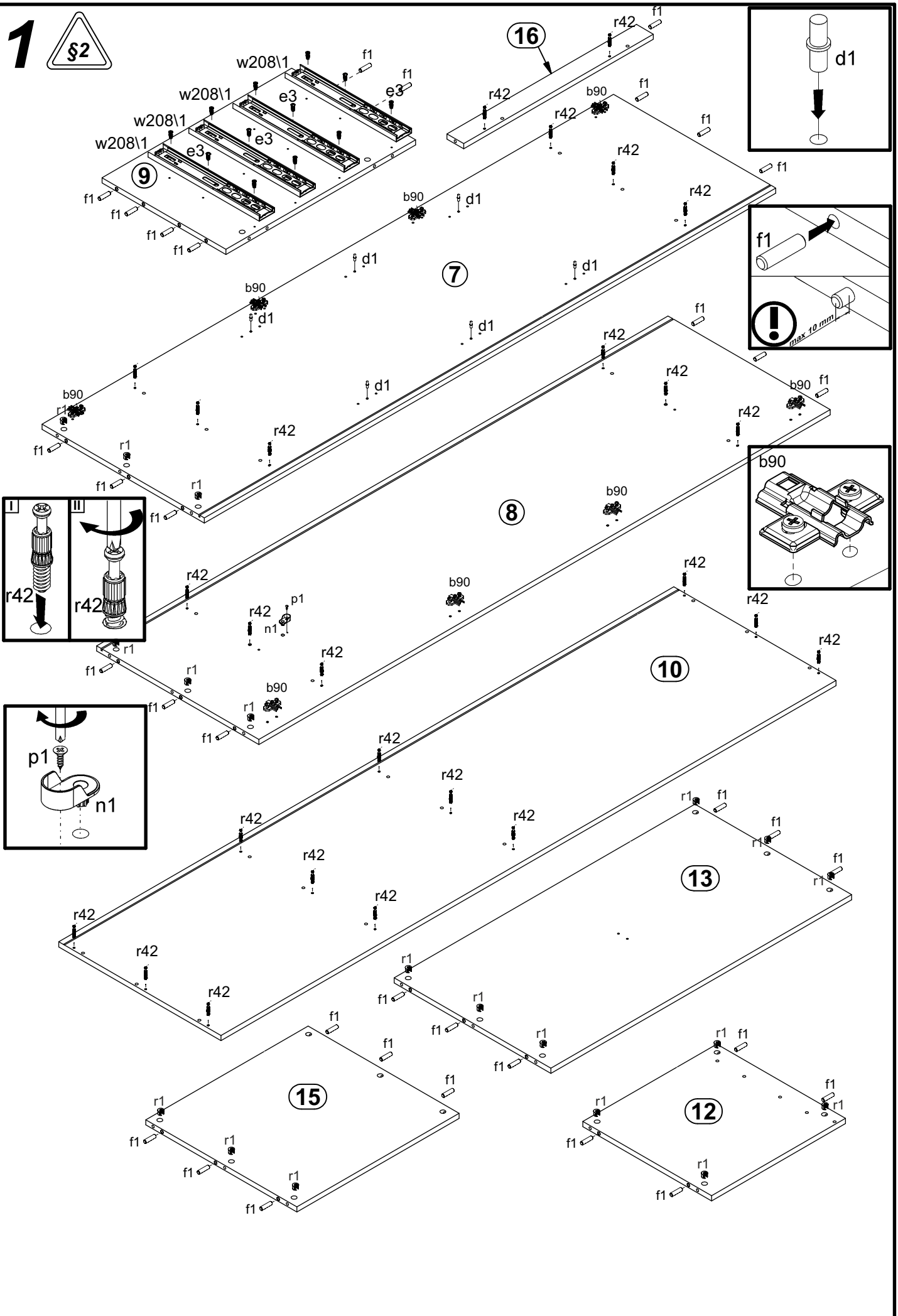
S205-SZF2D2L/21/22

A	B	C	D	
1	S205-027	2071	496	6/7
2	S205-031	2071	596	5/7
3	S205-032	2071	596	5/7
4	S205-0045	414	130	3/7
5	S205-145	2043	560	2/7
6	S205-1146	2043	540	2/7
7	S205-148	2043	580	1/7
8	S205-150	2043	580	1/7
9	S205-1162	678	443	4/7
10	S205-225	2199	580	2/7
11	S205-226	2199	580	2/7
12	S205-319	479	460	4/7
13	S205-321	1075	560	3/7
14	S205-325	579	540	3/7
15	S205-333	580	540	4/7
16	S205-414	678	60	3/7
17	S205-5505	400	105	3/7
18	S205-5506	400	105	3/7
19	S205-5510	380	105	3/7
20	S205-587	445	100	3/7
21	S205-965	2053	594	1/7
22	S205-917	2053	491	1/7
23	S205-9969	372	400	4/7
24	S205-964	2053	544	1/7
25	dr-1071	1071	30	3/7
26	dr-475	475	22	3/7
27	Lh-2035	2035	14	1/7

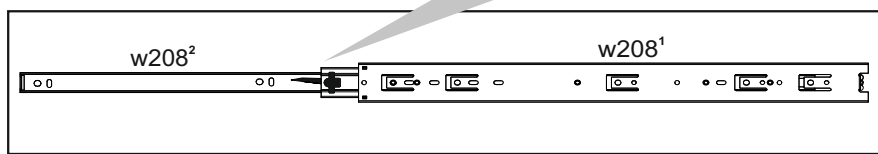
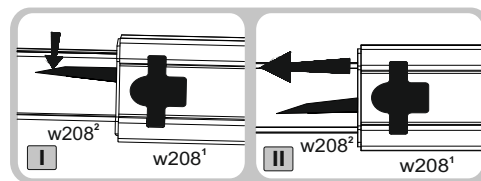
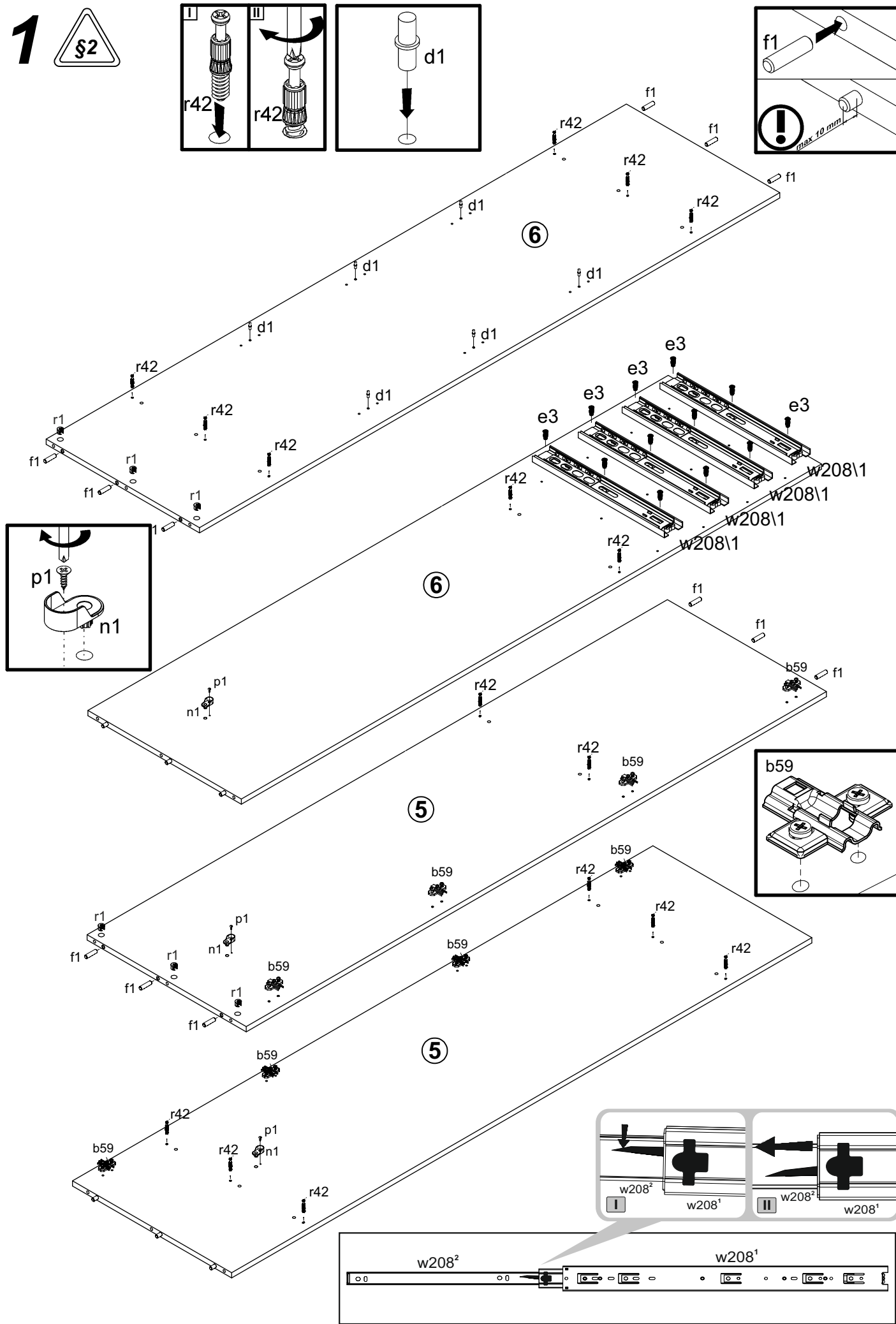
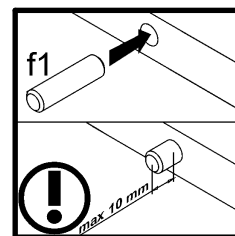
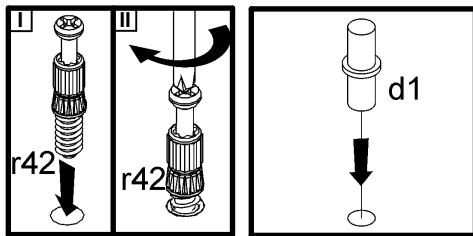


8x a204	8x a205	16x b90	16x d1	31x e1	65x f1	1x k53	4x k84	4x k85
30x l1	30x l2	6x n1	26x n108	4x p1	1x p36	25x p38	32x p51	26x p55
8x p6	58x r1	58x r42	52x s2	1x z1	1x n261	8x w208/1	8x w208/2	24x p140
1x f35	1x p17	26x e3	1x qb18	24x s4				

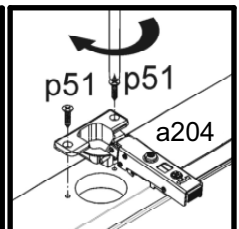
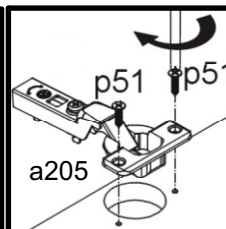
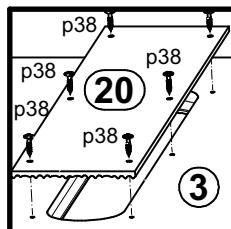
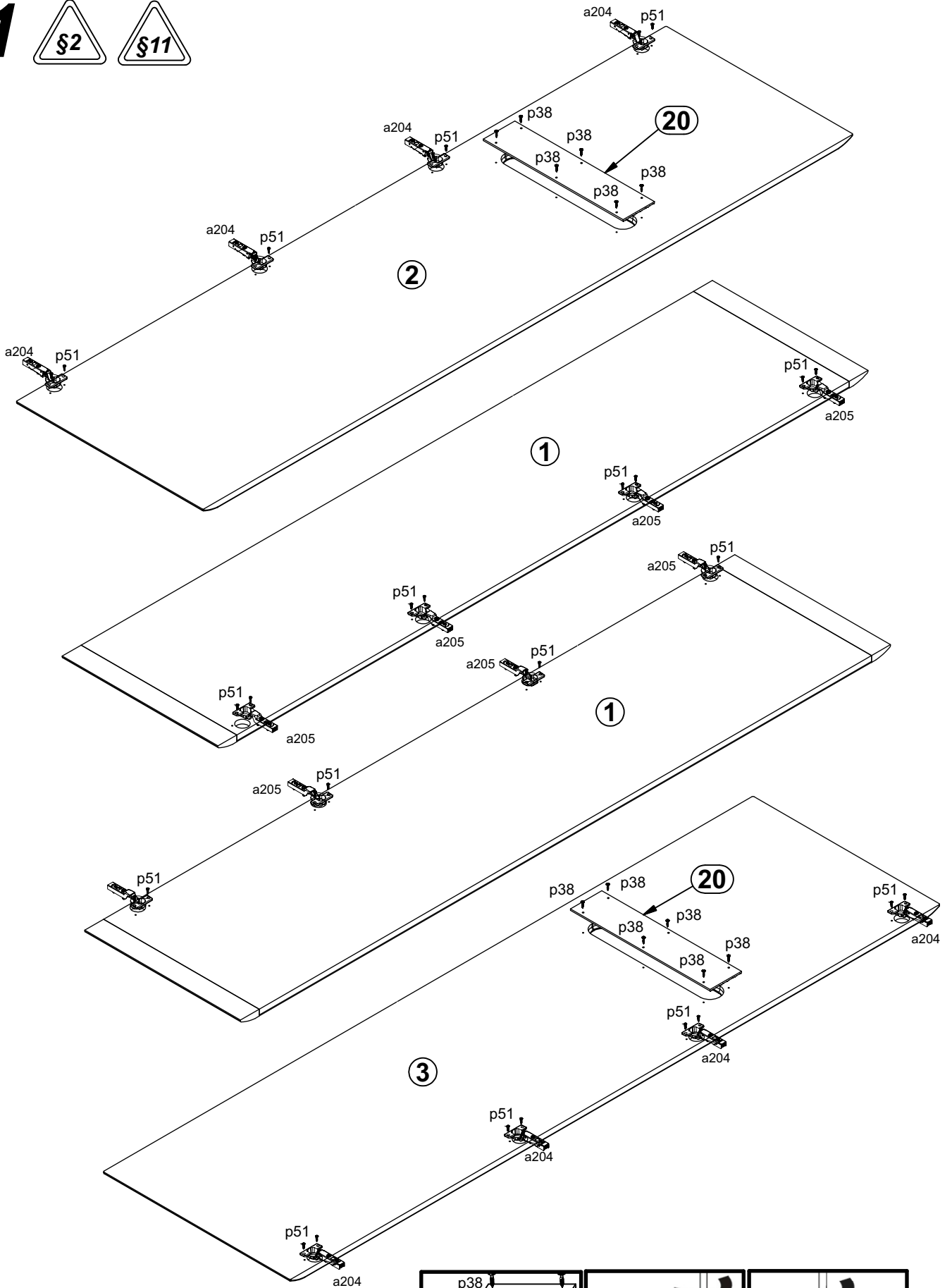
1 §2



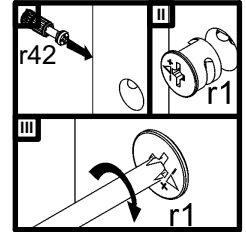
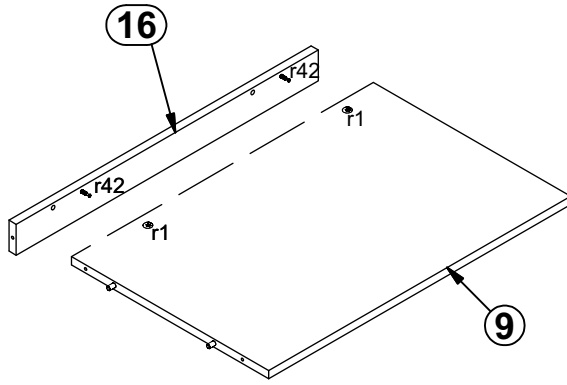
1 



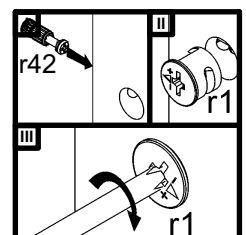
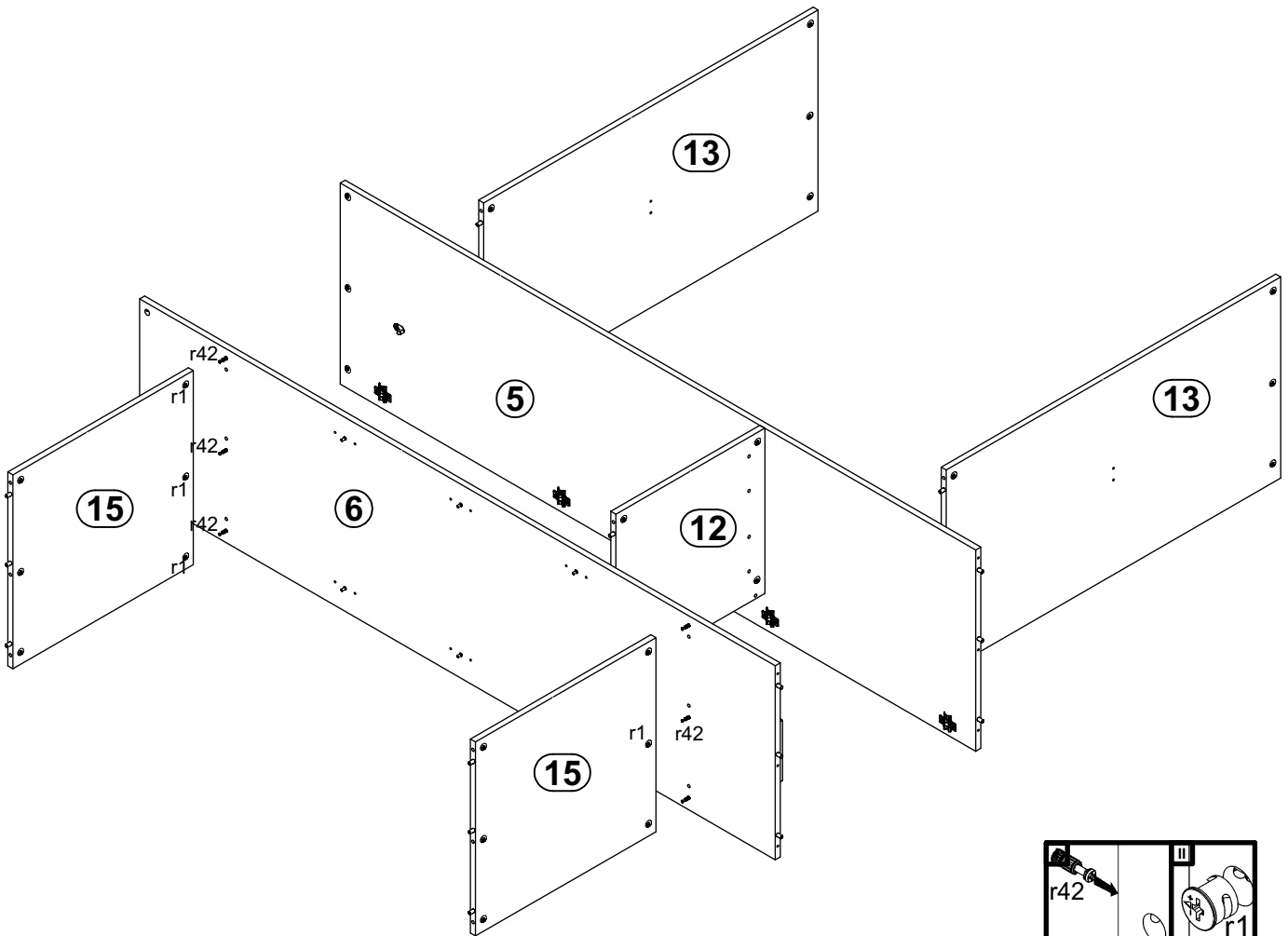
1



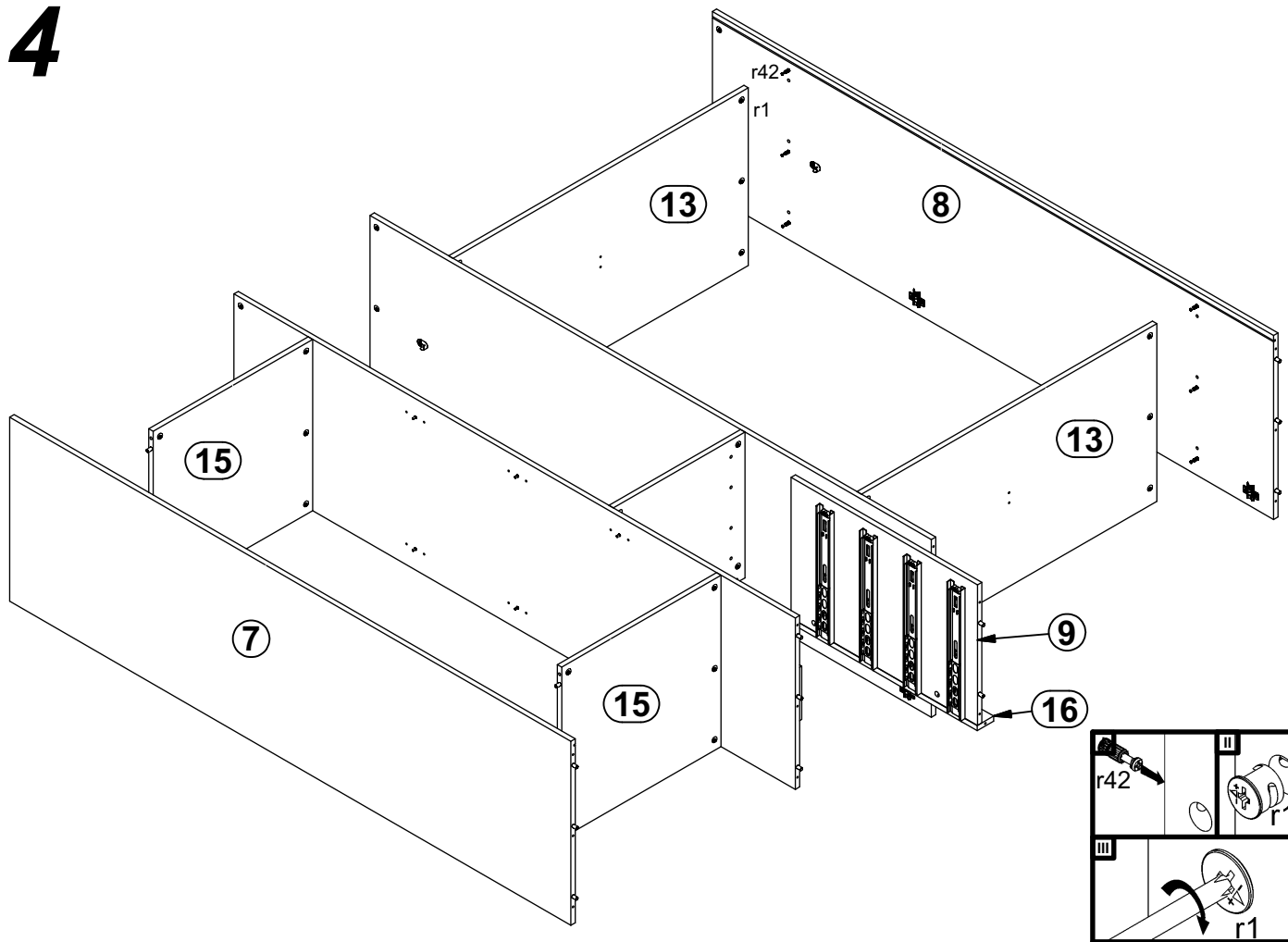
2



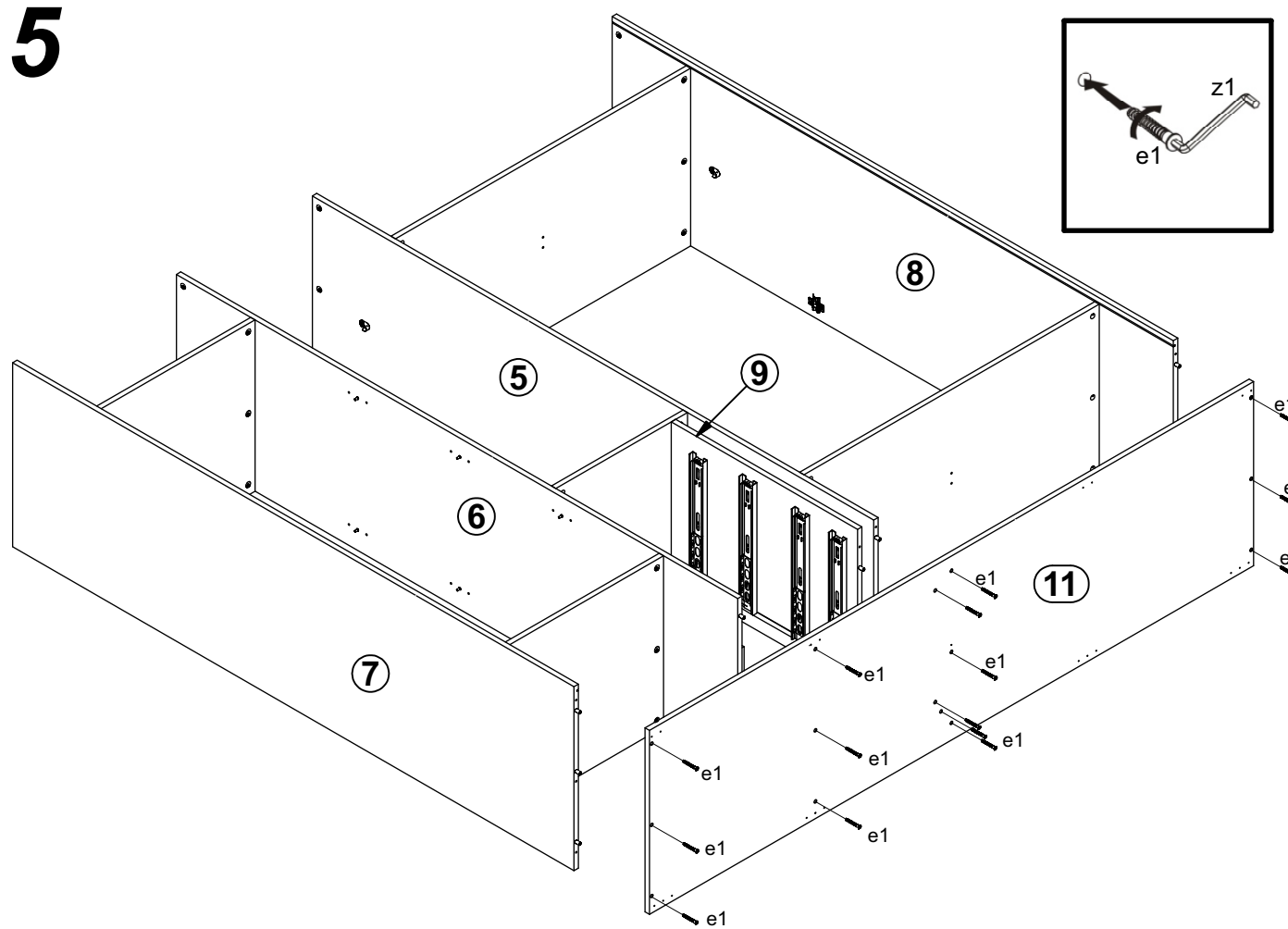
3



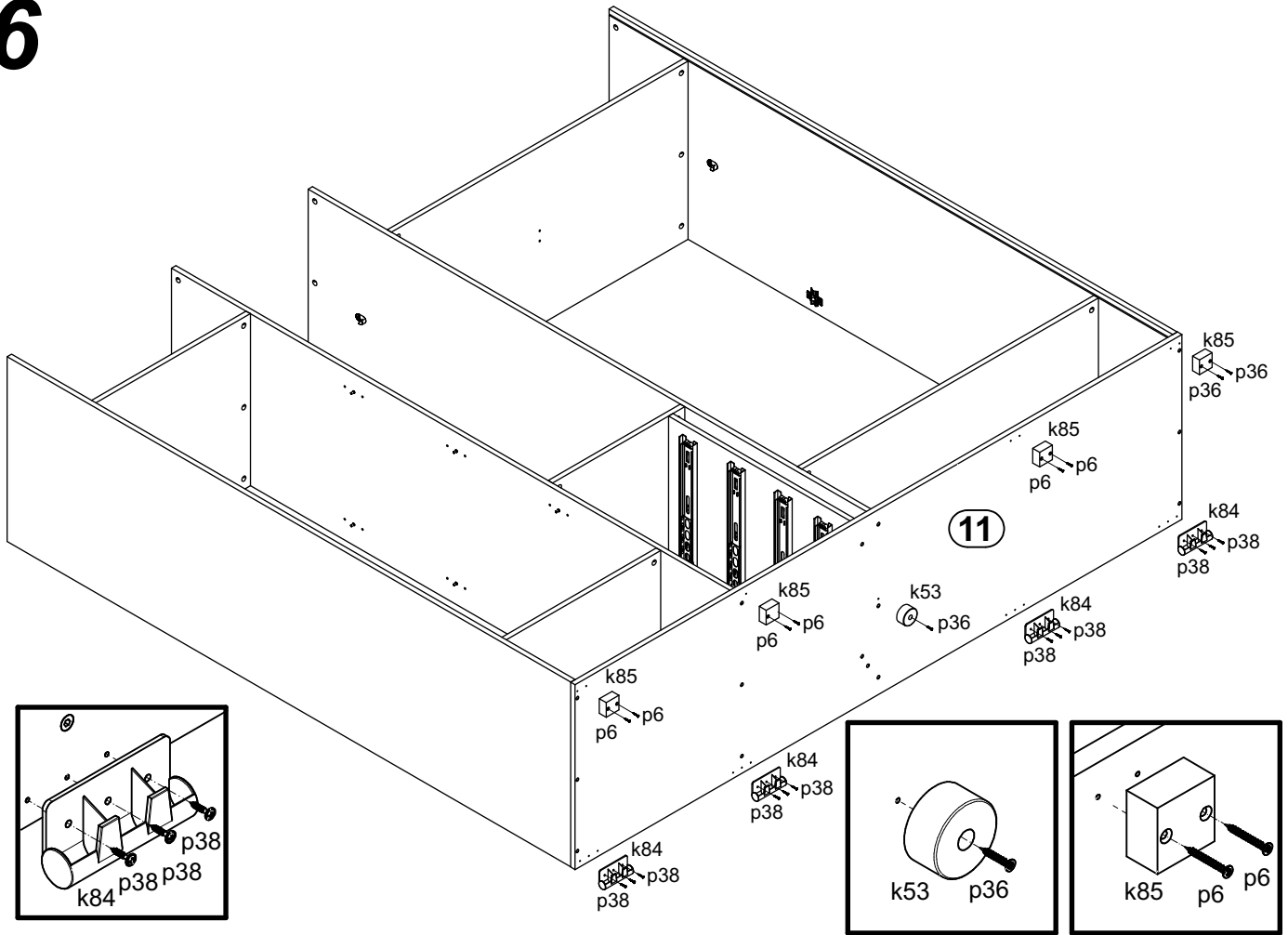
4



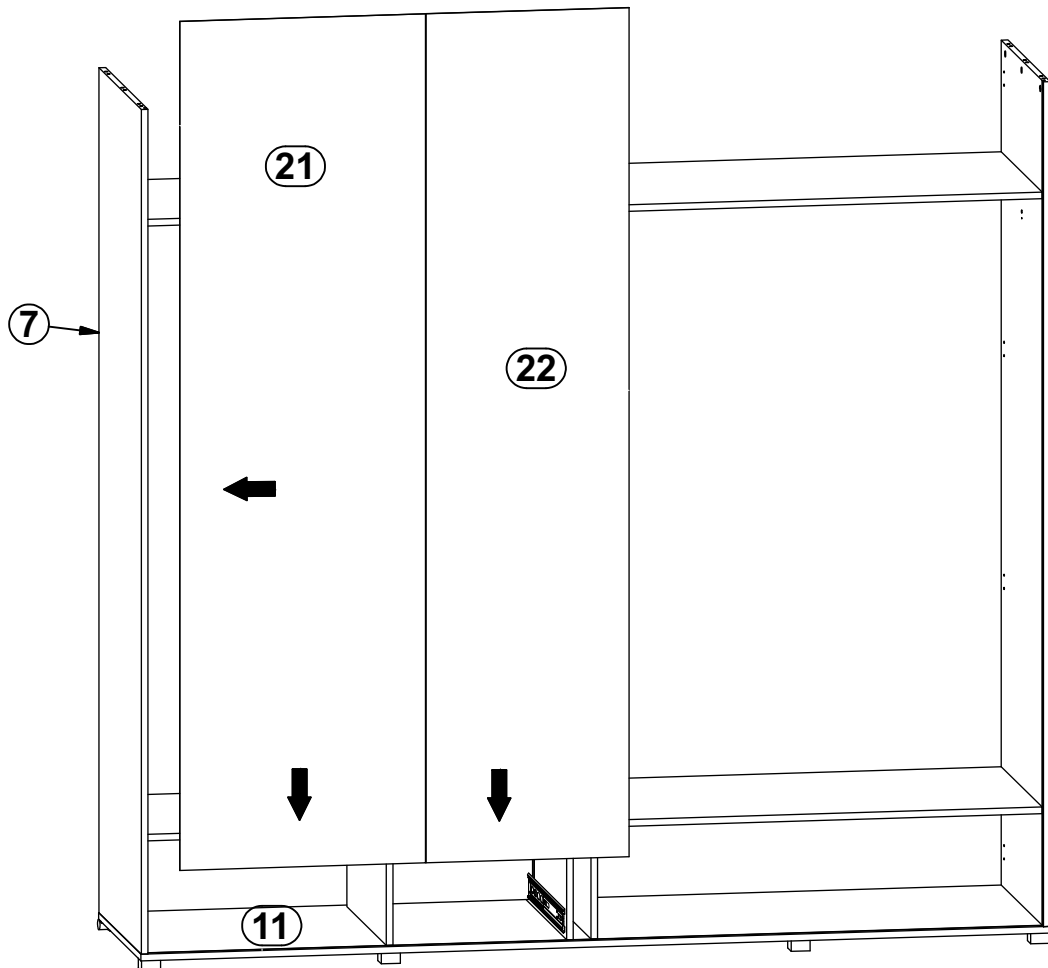
5



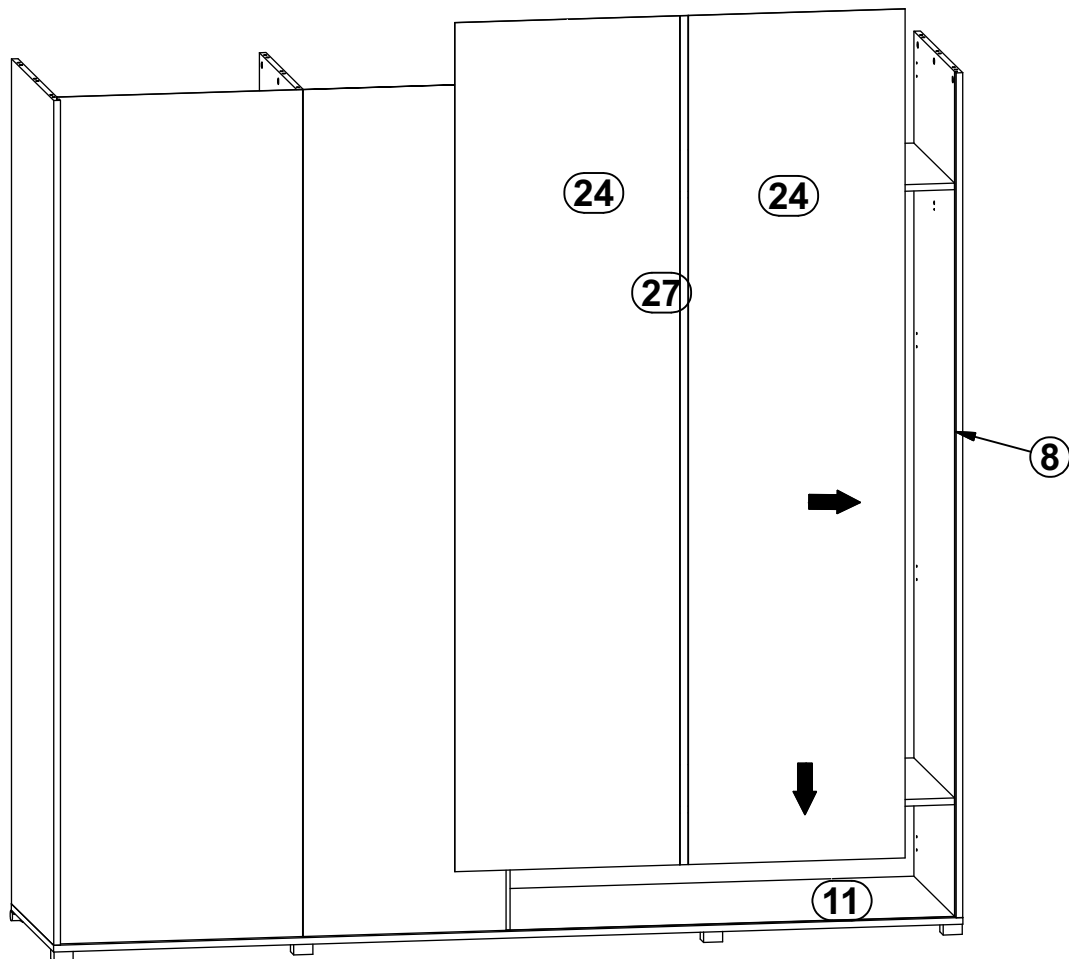
6



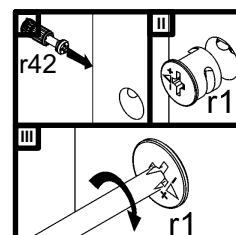
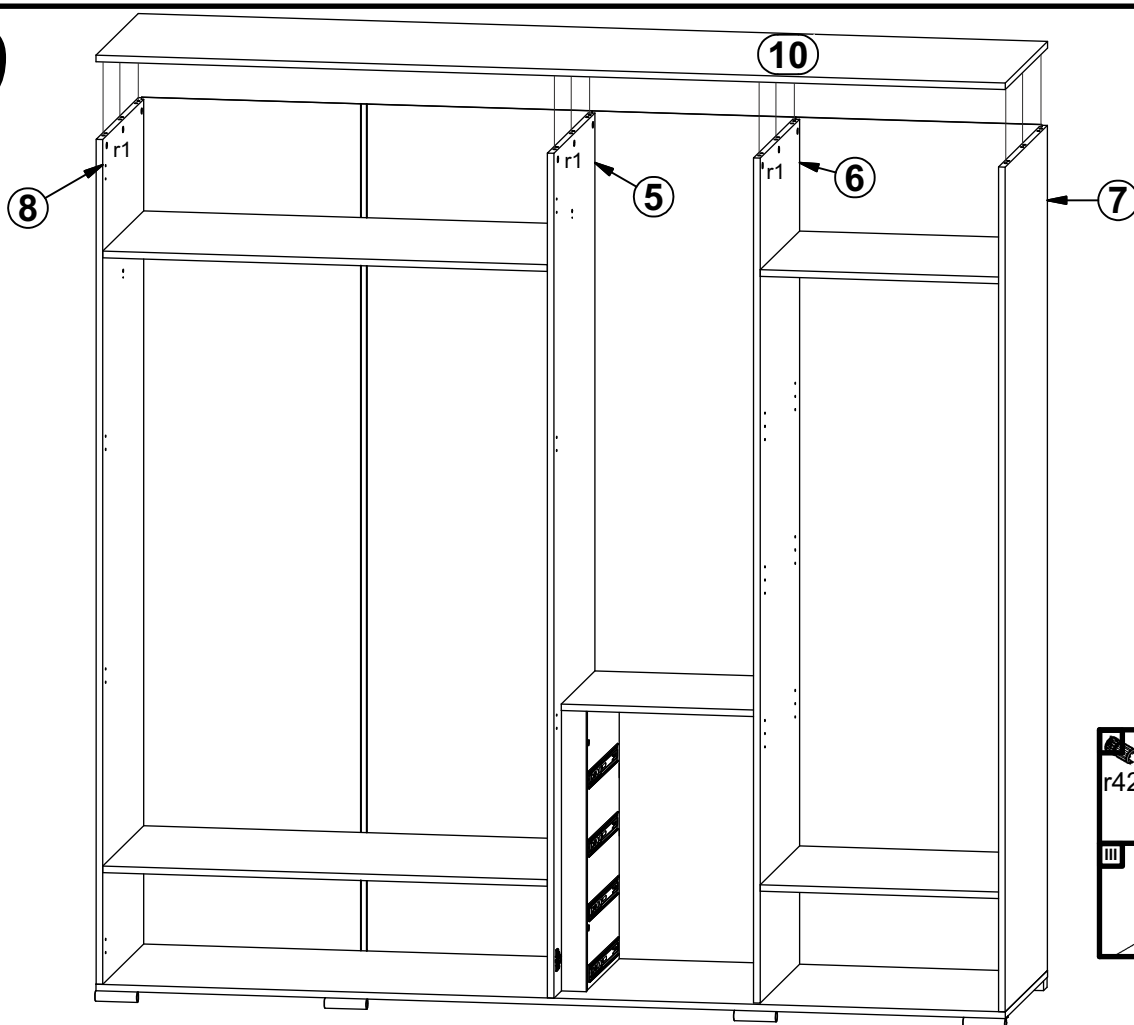
7



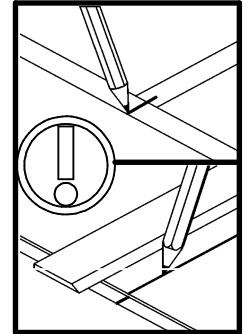
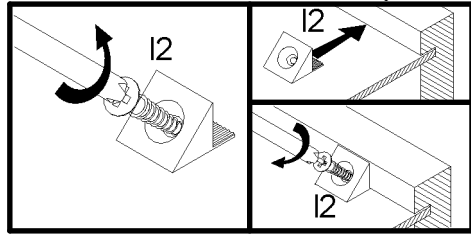
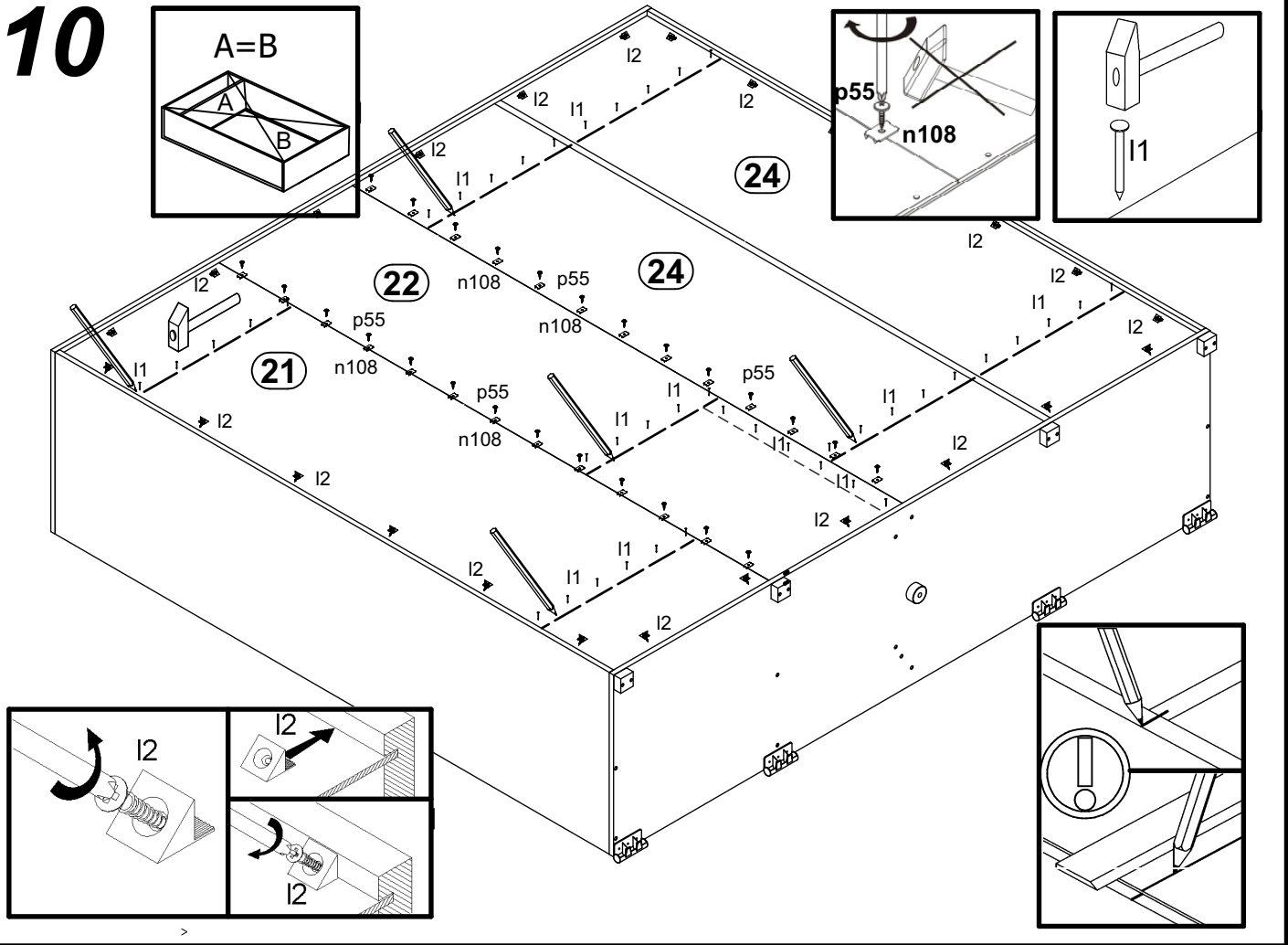
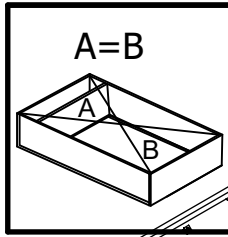
8



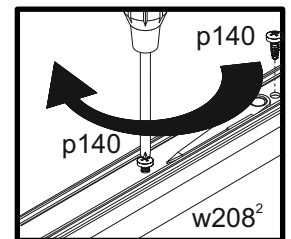
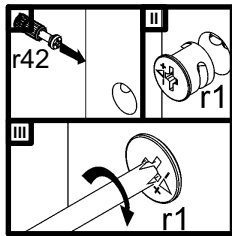
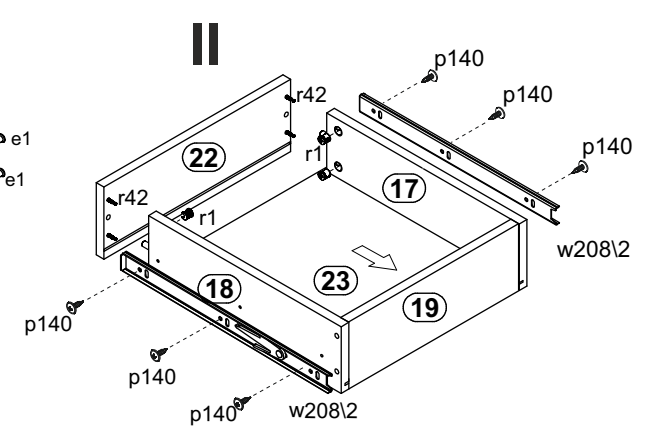
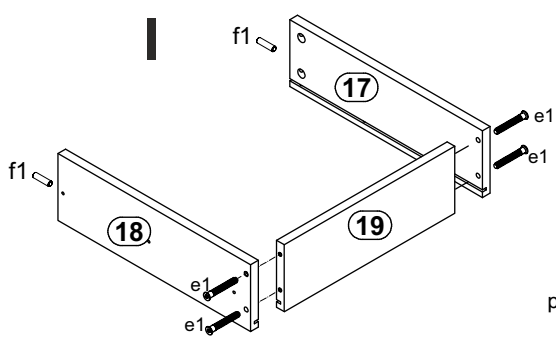
9



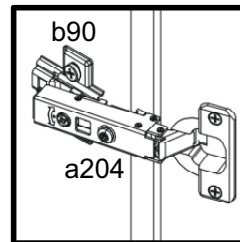
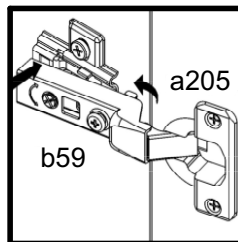
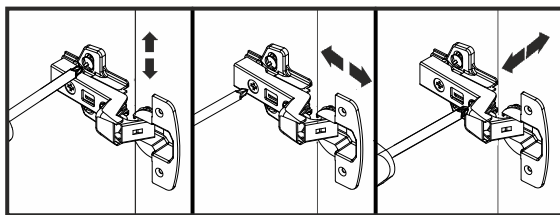
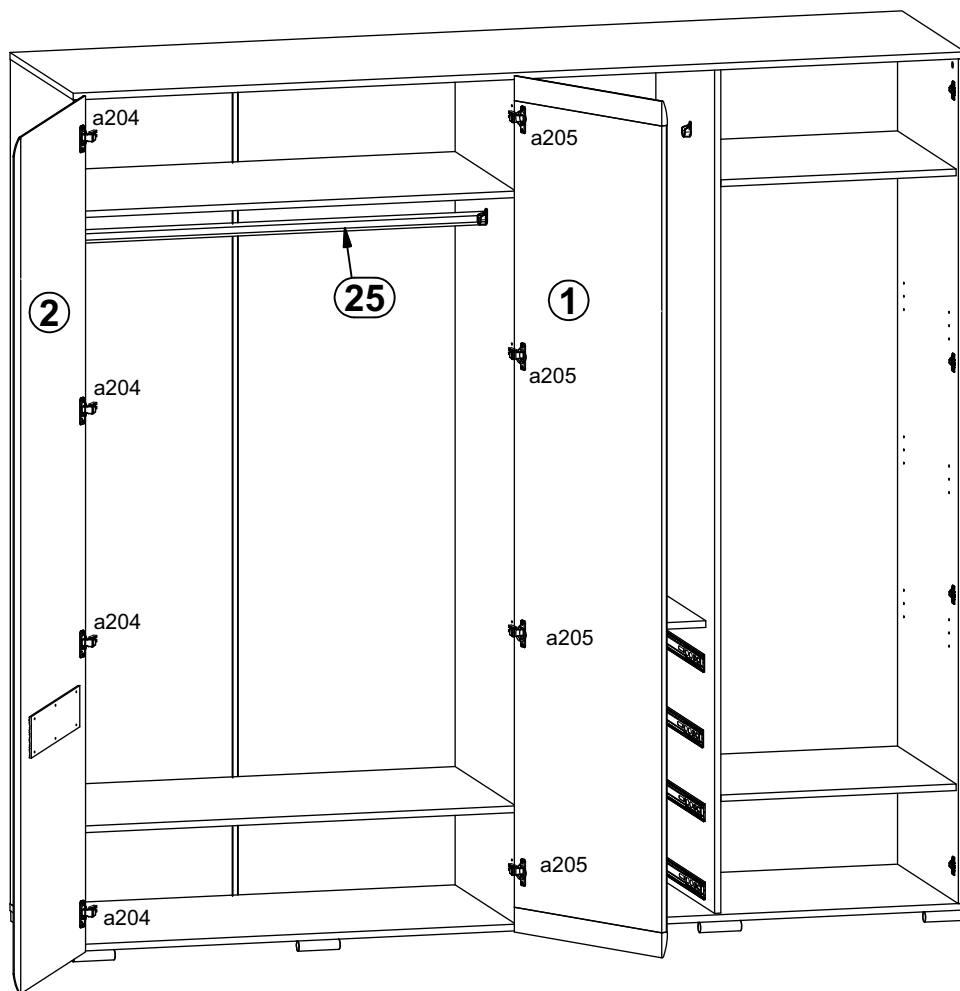
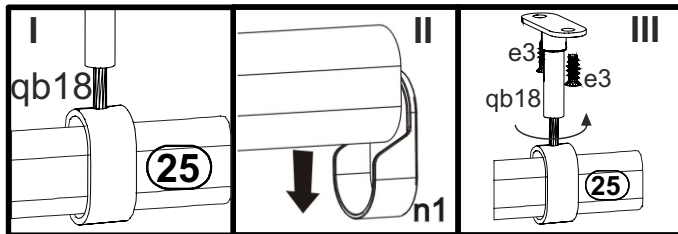
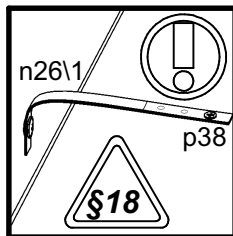
10



11



12



13

