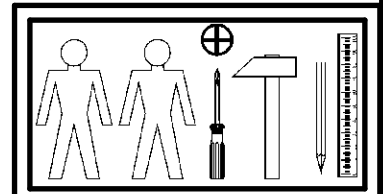
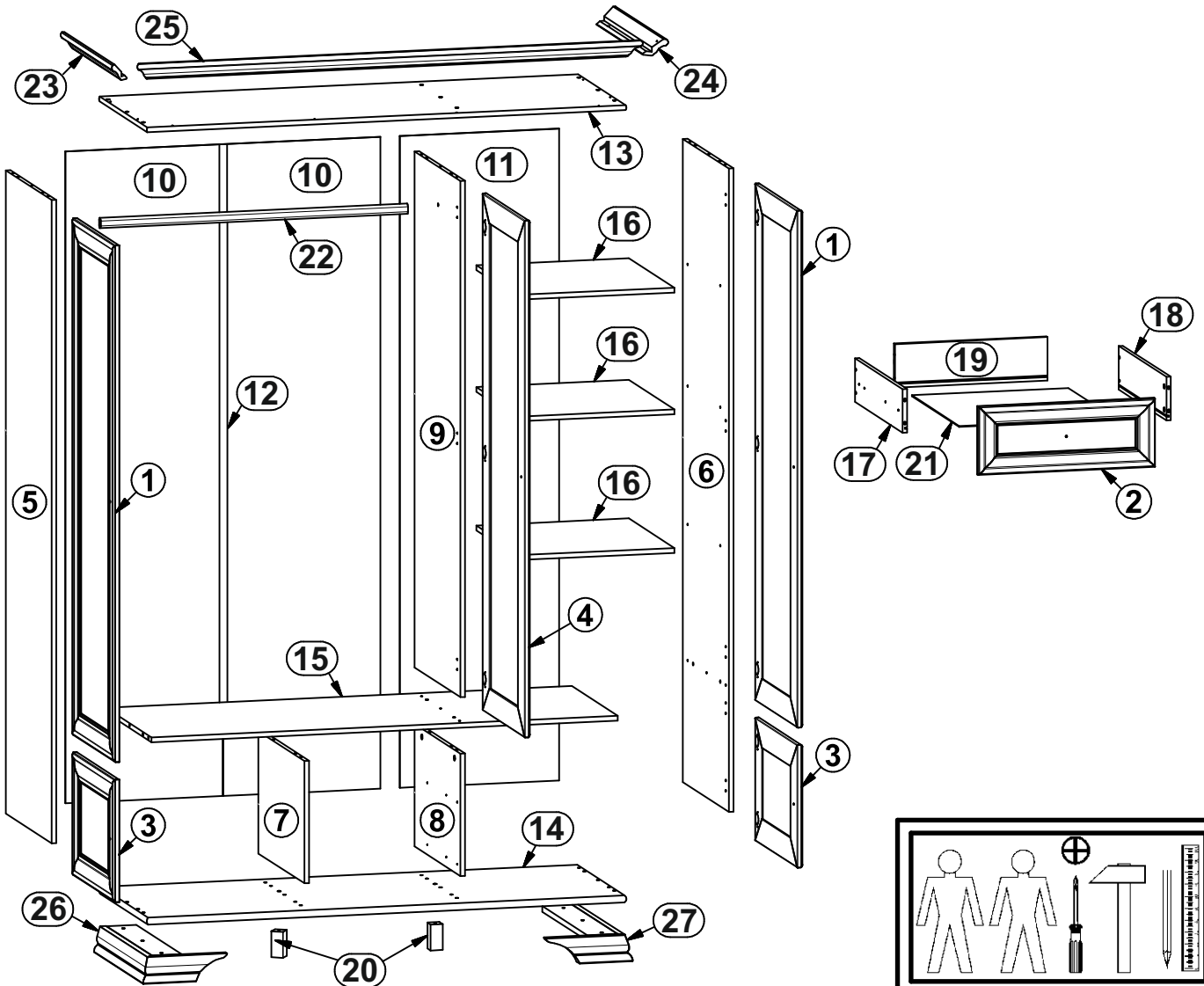
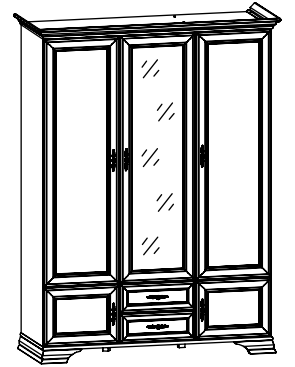


S320-SZF5D2S

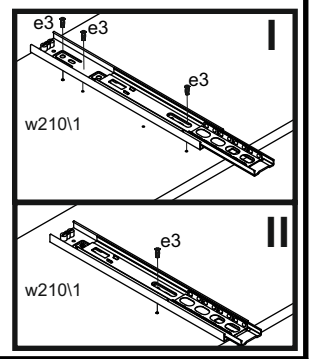
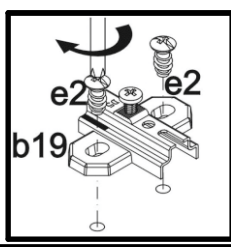
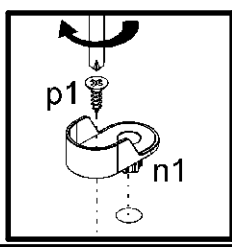
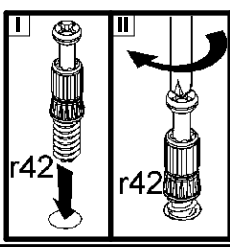
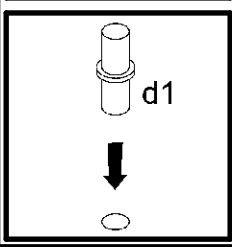
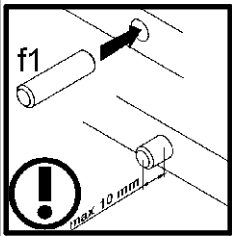
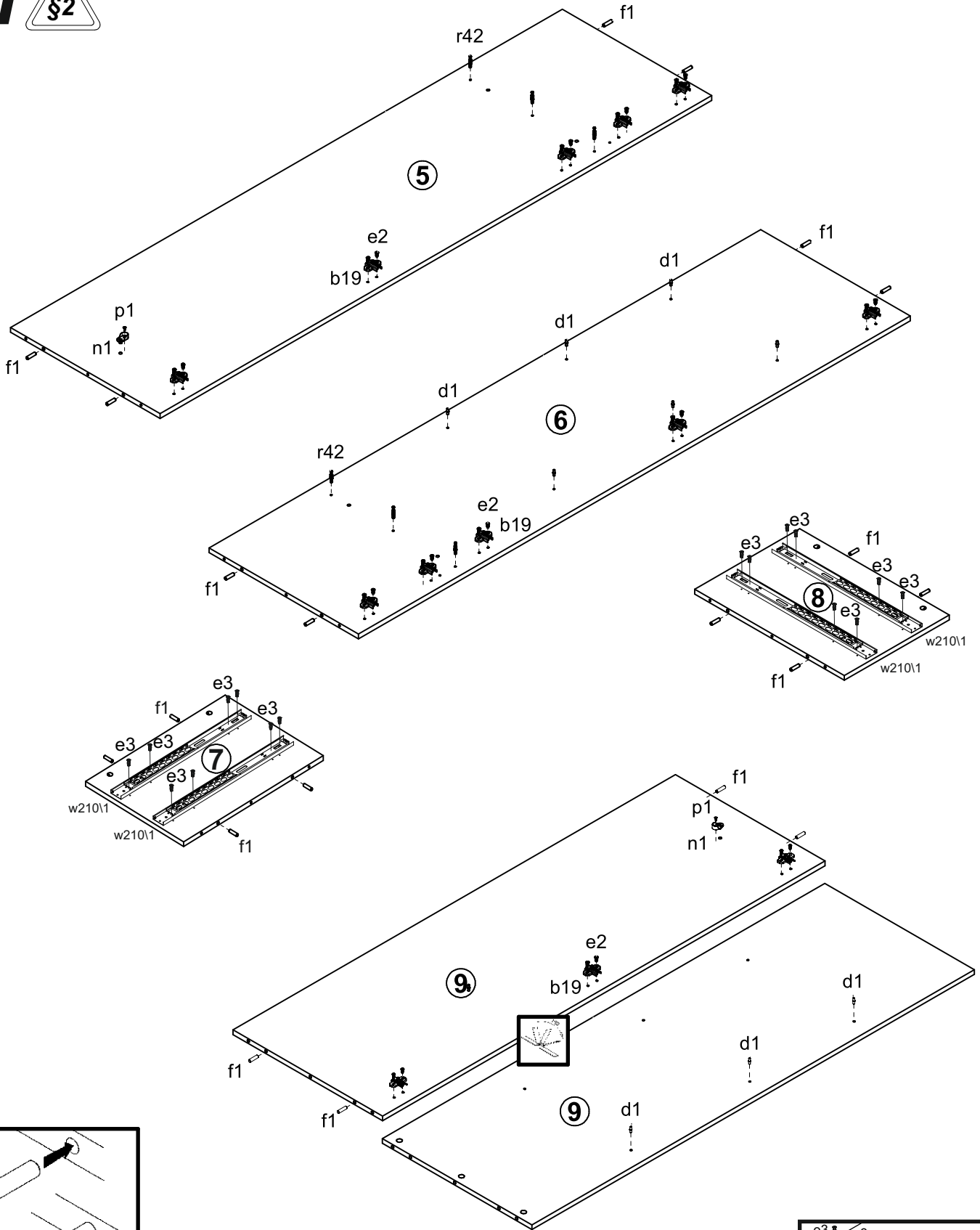
A	B	C	D	A	B	C	D		
1	S320-0020N	1686	496	6/6	14	S320-226	1512	562	2/6
2	S320-0021N	496	188	5/6	15	S320-318	1468	540	2/6
3	S320-0022	380	496	5/6	16	S320-319	479	536	2/6
4	S320-0023N	1686	496	6/6	17	S320-565N	500	120	2/6
5	S320-135N	2077	540	1/6	18	S320-566N	500	120	2/6
6	S320-157	2077	540	1/6	19	S320-5544N	418	120	2/6
7	S320-137N	378	540	2/6	20	S320-575	80	38	2/6
8	S320-138N	378	540	1/6	21	S320-922N	433	498	2/6
9	S320-139N	1683	540	1/6	22	dr-966	966	30	2/6
10	S320-1921N	2103	495	1/6	23	S320-503	603	80	3/6
11	S320-923N	2103	500	1/6	24	S320-505	603	80	3/6
12	Lh-1677	1677	14	1/6	25	S320-536	1594	80	3/6
13	S320-225	1512	562	2/6	26	S320-534	578	270	4/6
					27	S320-535	578	270	4/6



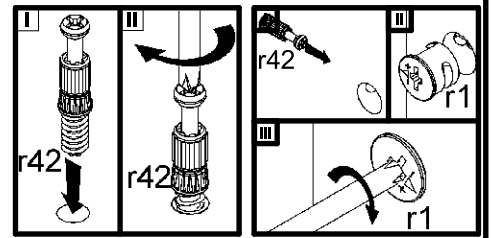
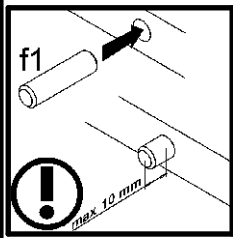
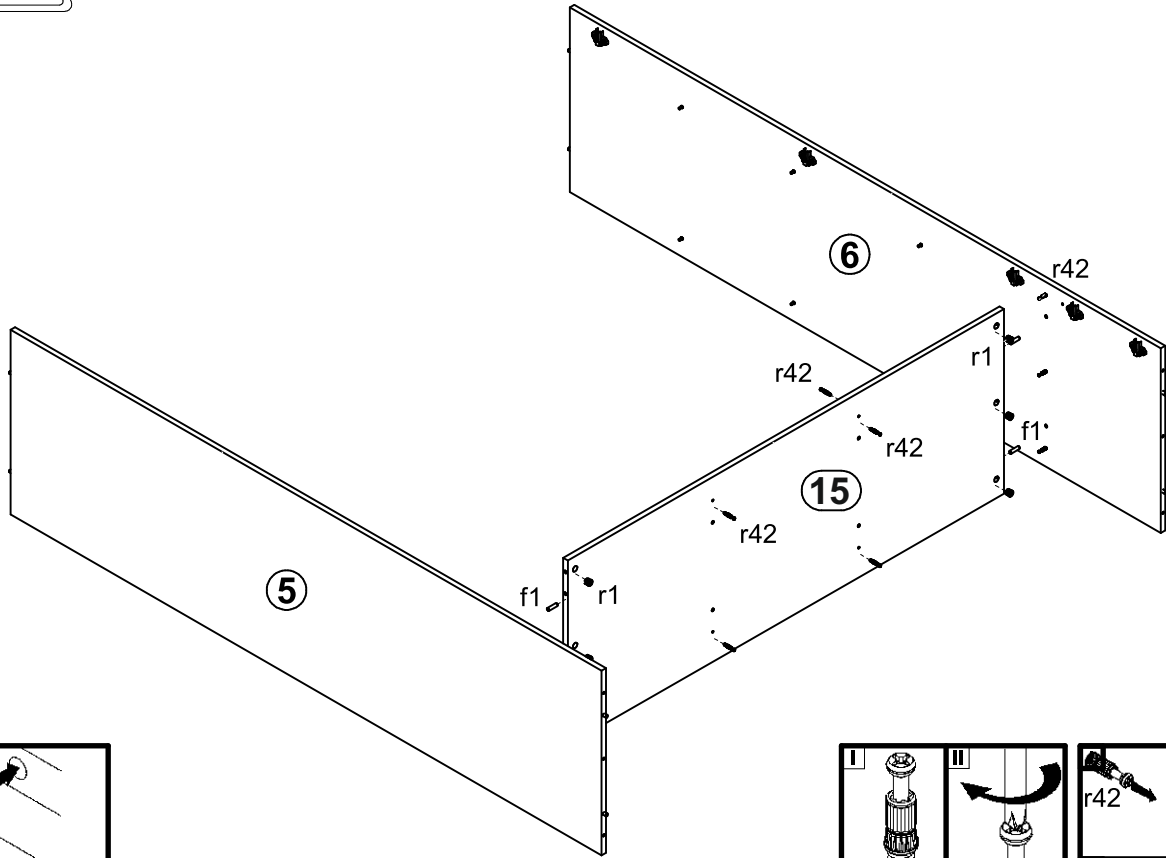
13x a44	13x b19	7x c35/1	7x c35/2	12x d1	2x d4	1x p38	26x e2	2x n1
6x e26	18x e3	23x e8	28x f1	8x f25	2x j59	5x j6	130x l1	11x s2
2x n40	2x p1	8x p8	4x p46	26x p51	21x r1	1x qb18	21x r42	
4x w210/1	4x w210/2	16x p140	1x z1	1x n26/1	1x f35	1x p17		

1

§2



2 



3

