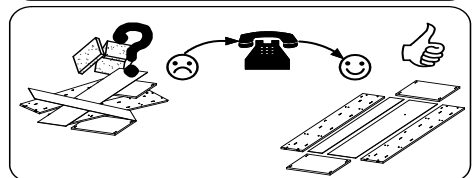
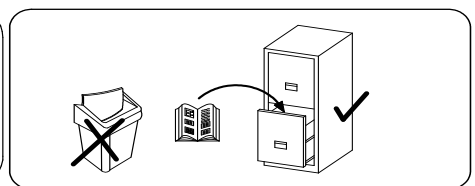
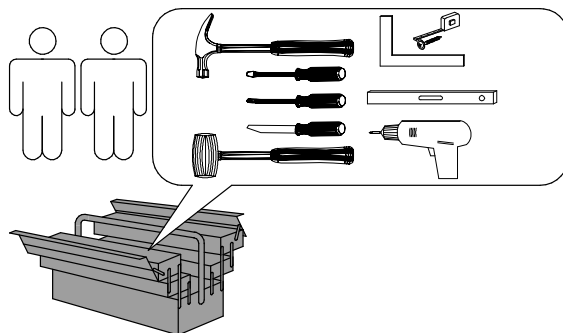
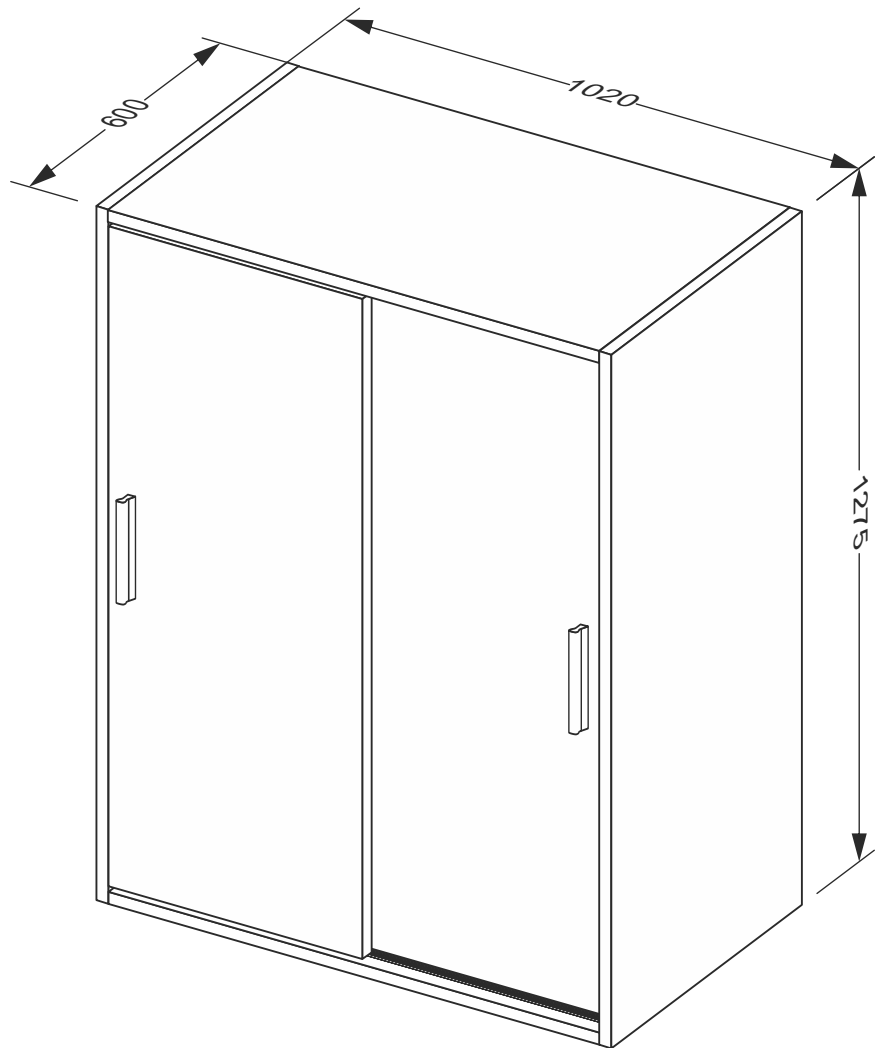
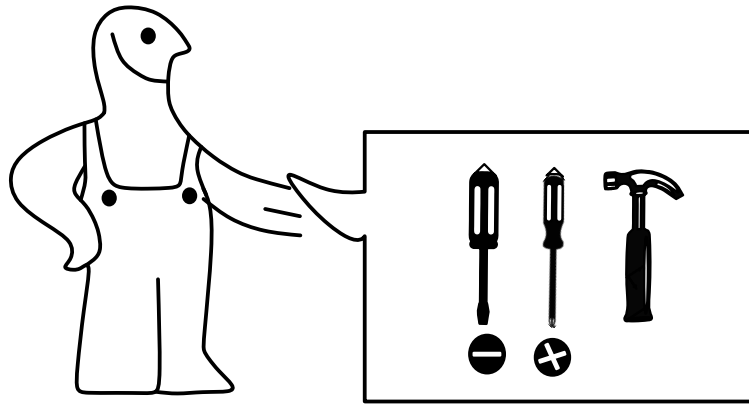


CASE 311

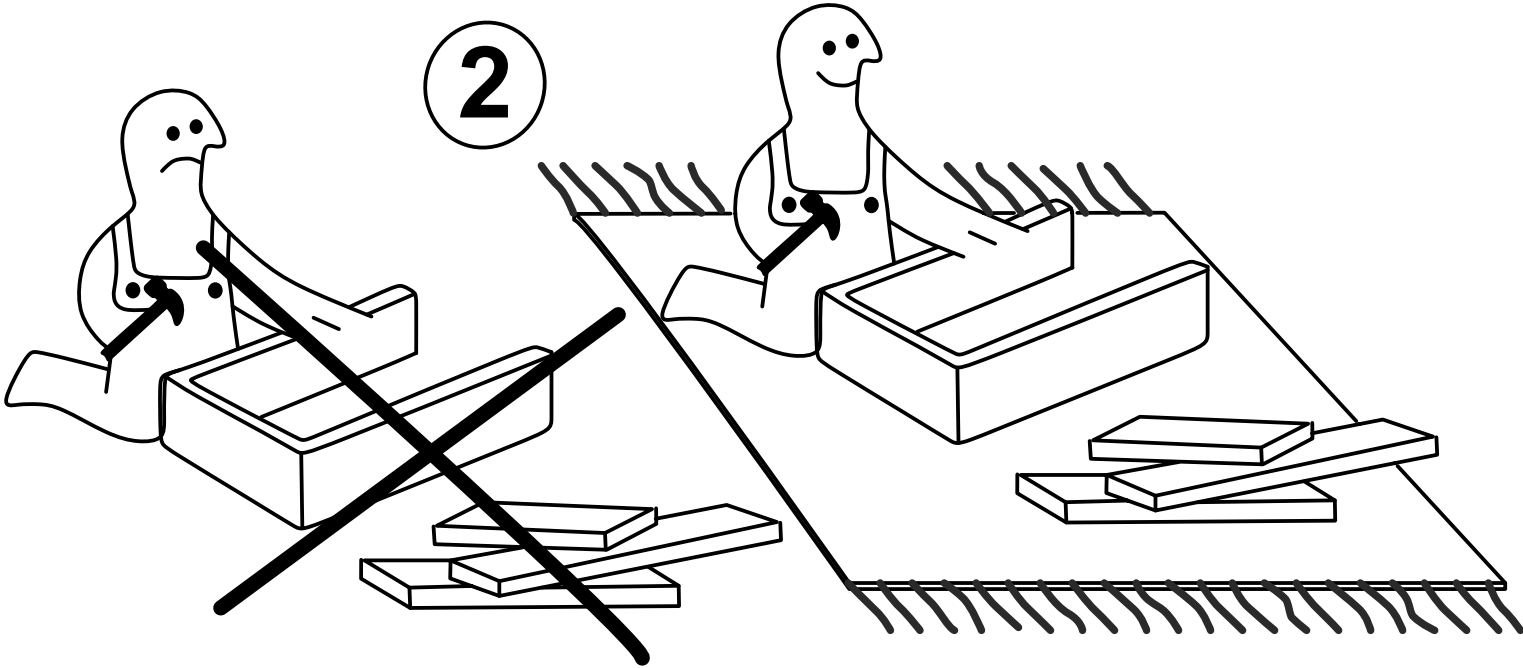
38311T2M, 3831129M, 3831117M



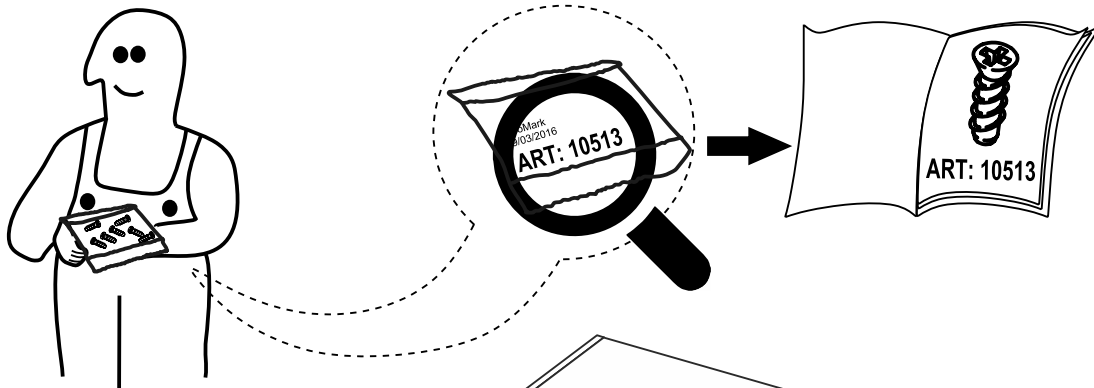
1



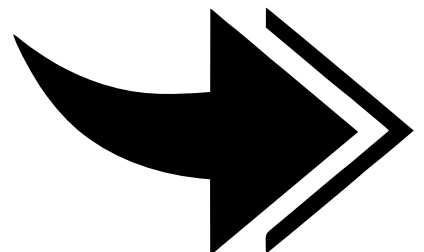
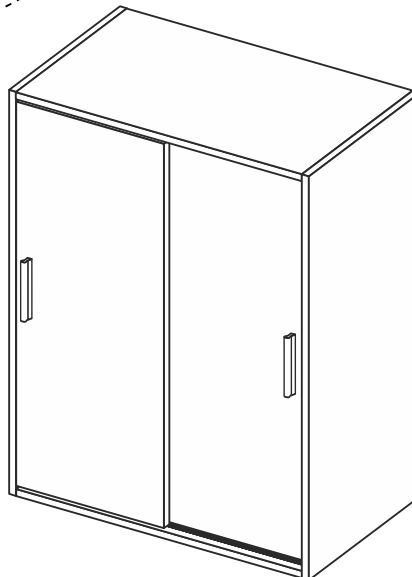
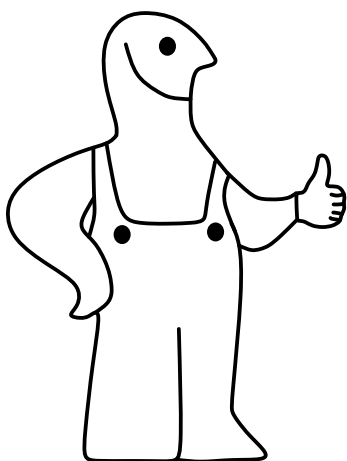
2

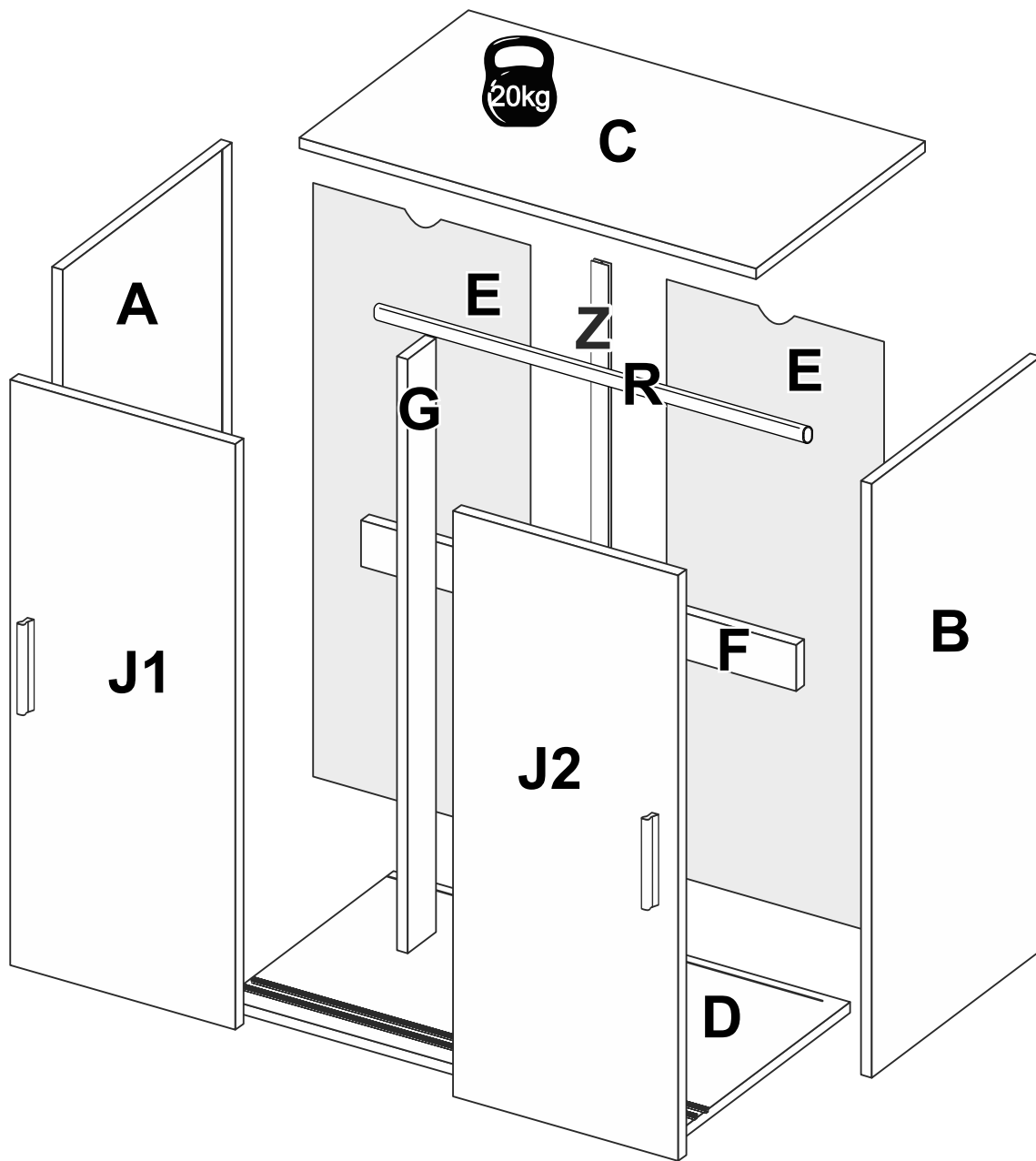


3

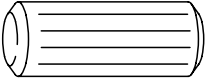

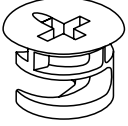
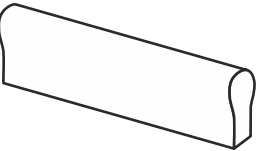
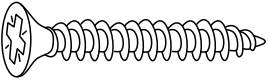
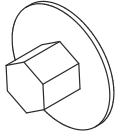
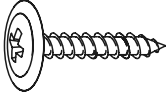


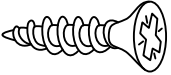


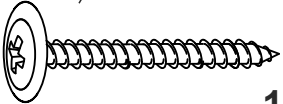
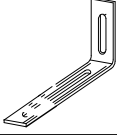
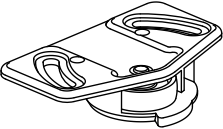
4

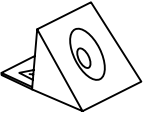


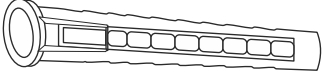
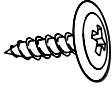
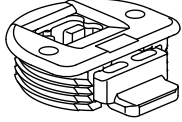




A	-	1249	x	600	x	16	-	x	1	1/2
B	-	1249	x	600	x	16	-	x	1	1/2
C	-	986	x	600	x	16	-	x	1	2/2
D	-	986	x	600	x	16	-	x	1	2/2
E	-	1229	x	499	x	3	-	x	2	1/2
F	-	986	x	100	x	16	-	x	1	1/2
G	-	1217	x	100	x	16	-	x	1	1/2
J1	-	500	x	1209	x	16	-	x	1	2/2
J2	-	500	x	1209	x	16	-	x	1	2/2
R	-	979					-	x	1	1/2
Z	-	1215					-	x	1	1/2

①	$\varnothing 8 \times 30$ 	x22 21008
④		x2 05014
⑦		x16 11016
⑩		x2 12851
⑬	$\varnothing 5 \times 60$ 	x2 10443
⑯		x16 00212
⑲	$\varnothing 4.2 \times 16$ 	x16 10417

②	$\varnothing 4 \times 16$ 	x16 10416
⑤	$\varnothing 5 \times 9$ 	x4 10509
⑧		x6 04525
⑪	$\varnothing 4.2 \times 32$ 	x4 10432
⑭	77x21x15 	x2 08011
⑰		x4 11948

③		x16 08003
⑥		x16 11002
⑨	$\varnothing 4.2 \times 25$ 	x6 10426
⑫	$\varnothing 8 \times 50$ 	x2 10016
⑮	$\varnothing 4.2 \times 13$ 	x4 10413
⑱		x4 11947

