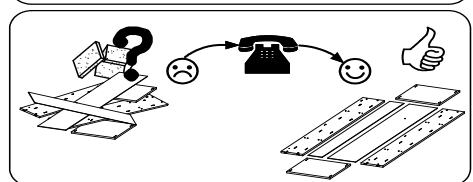
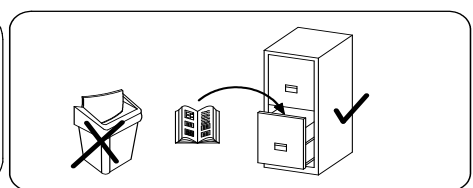
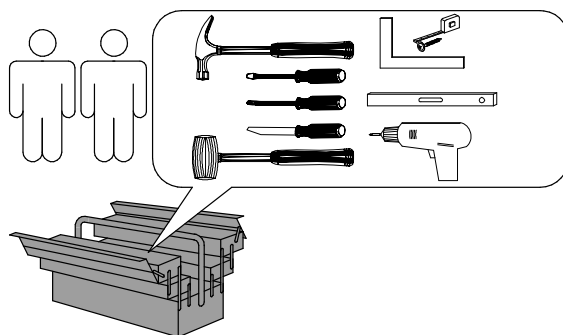
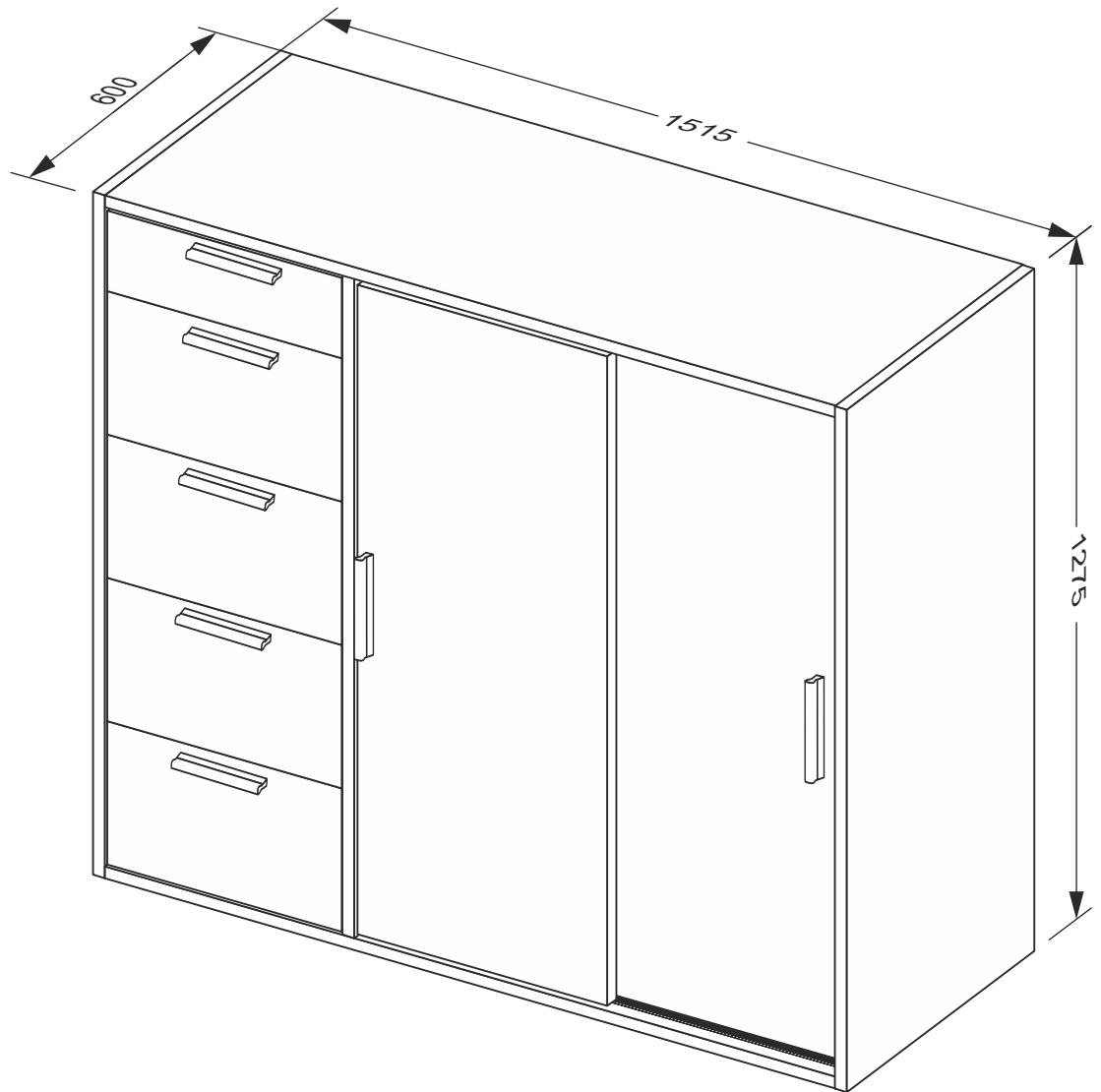
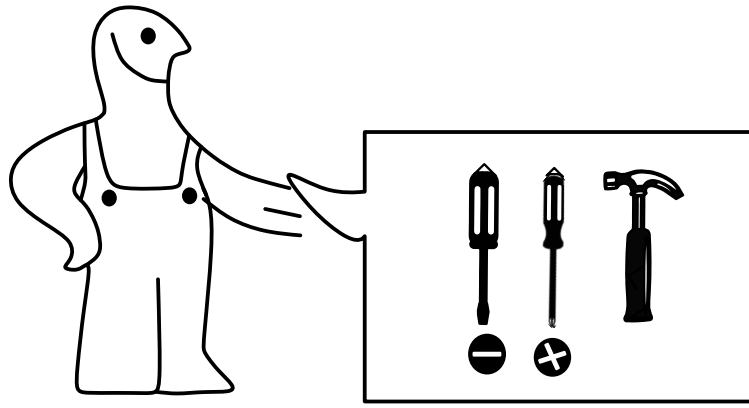


CASE 312

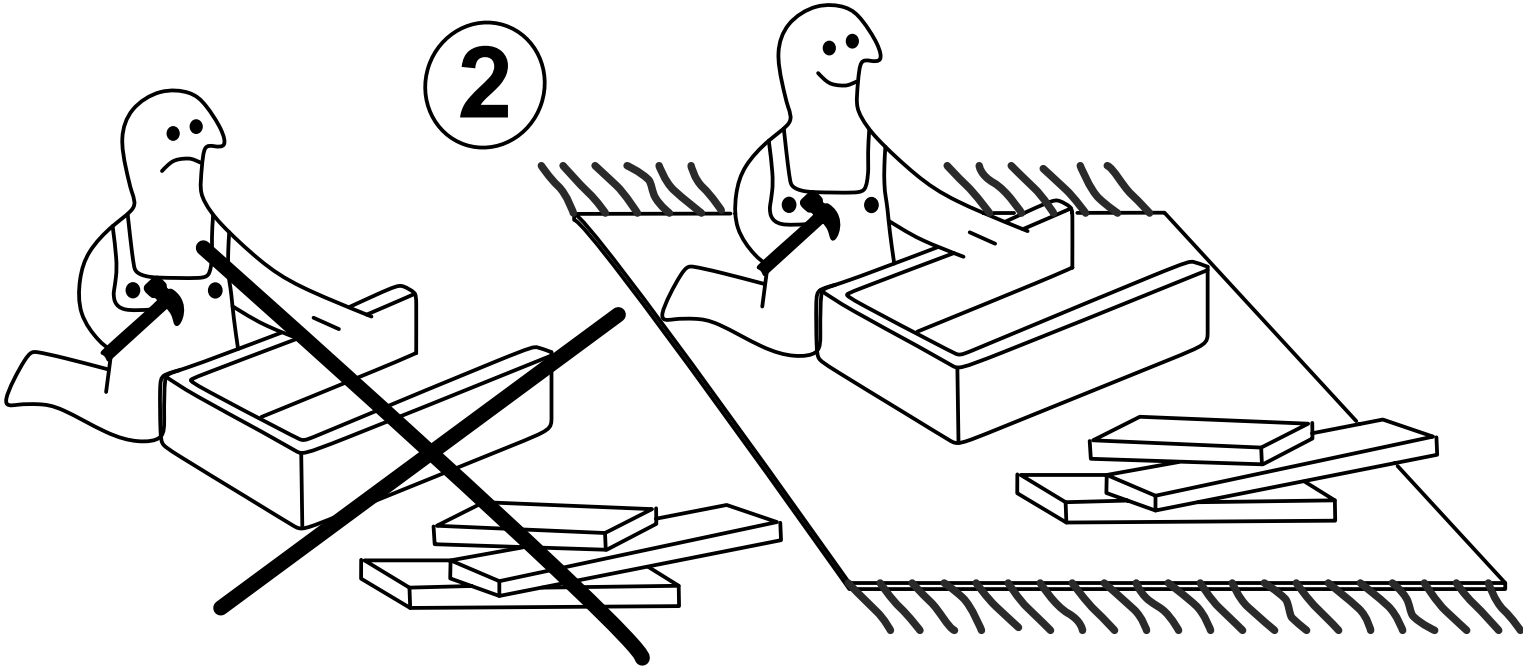
38312T2M, 3831229M, 3831217M



1



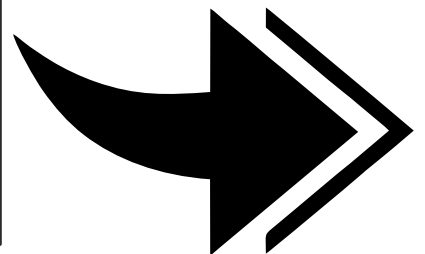
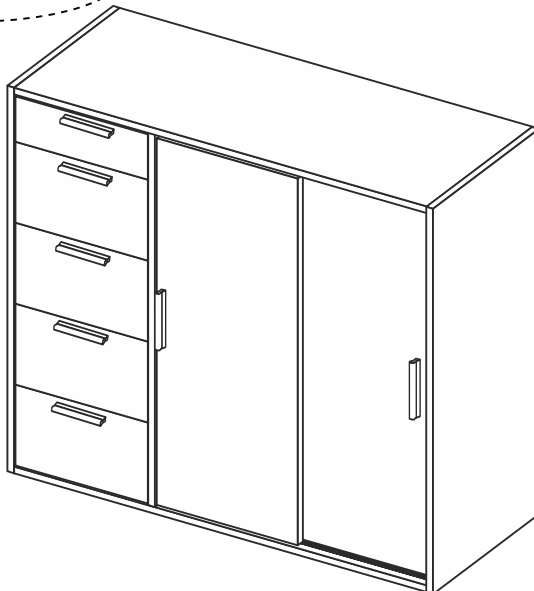
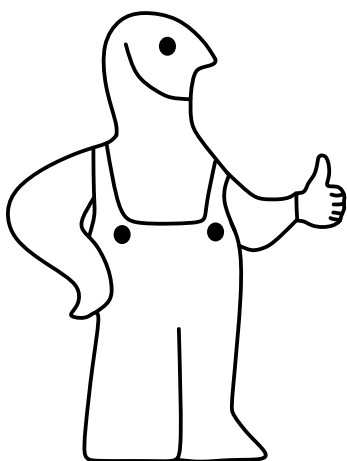
2

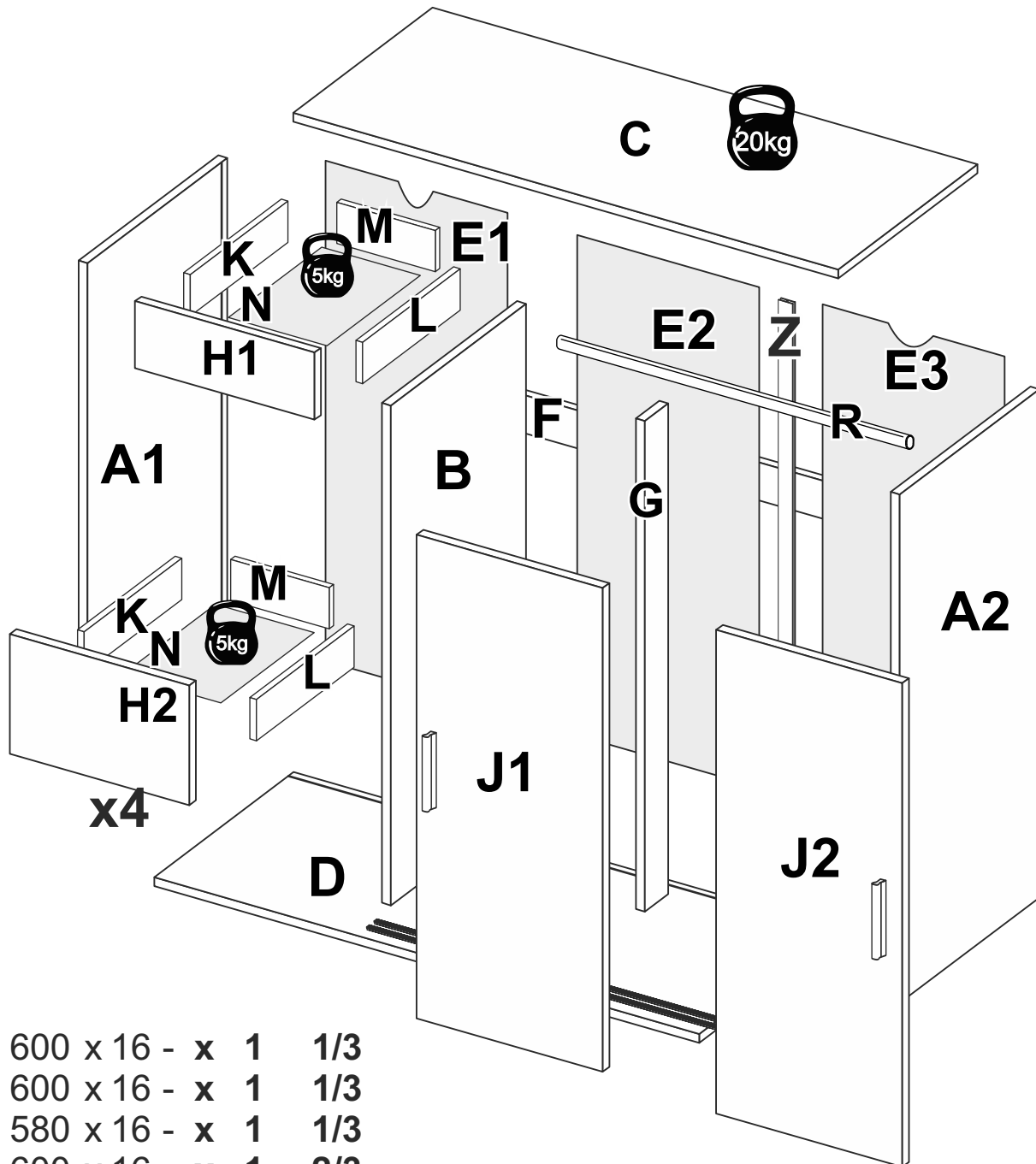


3

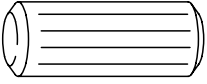
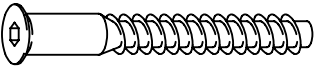
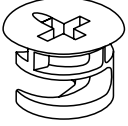

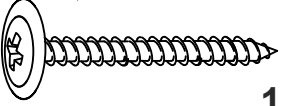
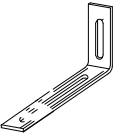
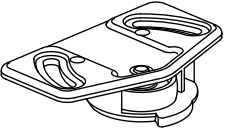
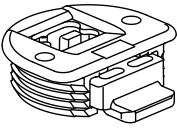

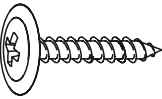


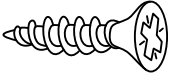
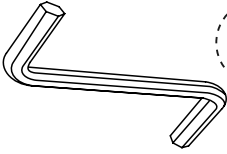

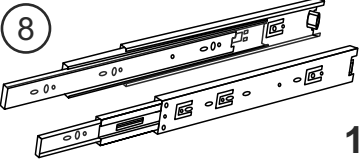
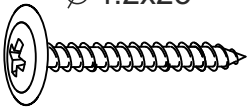
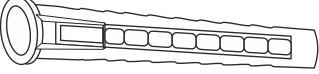
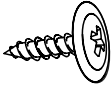
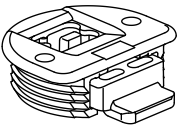

4

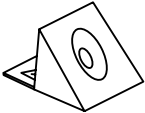


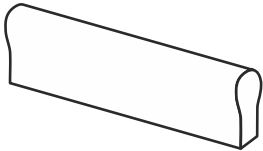

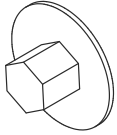

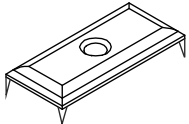


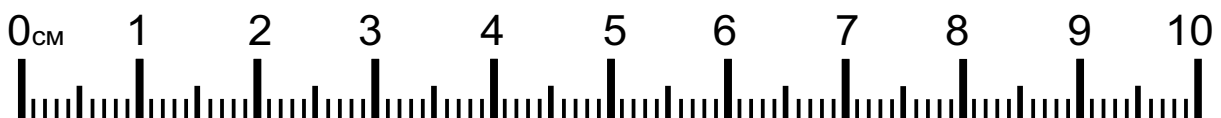


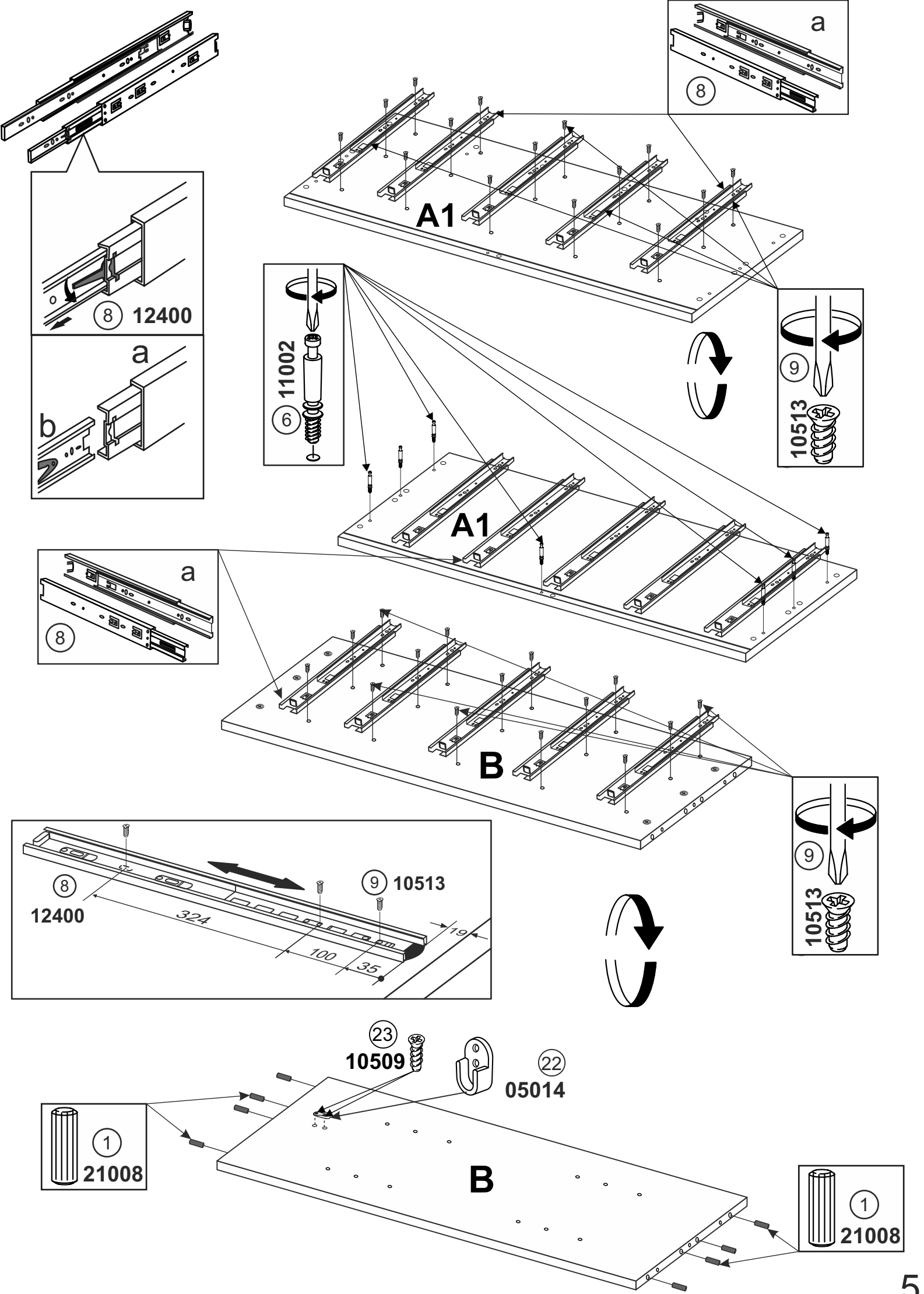
A1	-	1249	x	600	x	16	-	x	1	1/3
A2	-	1249	x	600	x	16	-	x	1	1/3
B	-	1217	x	580	x	16	-	x	1	1/3
C	-	1482	x	600	x	16	-	x	1	2/3
D	-	1482	x	600	x	16	-	x	1	2/3
E1	-	1229	x	493	x	3	-	x	1	1/3
E2	-	1229	x	499	x	3	-	x	1	1/3
E3	-	1229	x	499	x	3	-	x	1	1/3
F	-	1482	x	100	x	16	-	x	1	2/3
G	-	1217	x	100	x	16	-	x	1	2/3
H1	-	474	x	183	x	16	-	x	1	3/3
H2	-	474	x	252	x	16	-	x	4	3/3
J1	-	500	x	1209	x	16	-	x	1	3/3
J2	-	500	x	1209	x	16	-	x	1	3/3
K	-	400	x	130	x	16	-	x	5	3/3
L	-	400	x	130	x	16	-	x	5	3/3
M	-	422	x	130	x	16	-	x	5	3/3
N	-	434	x	396	x	3	-	x	5	3/3
R	-	979					-	x	1	2/3
Z	-	1215					-	x	1	1/3

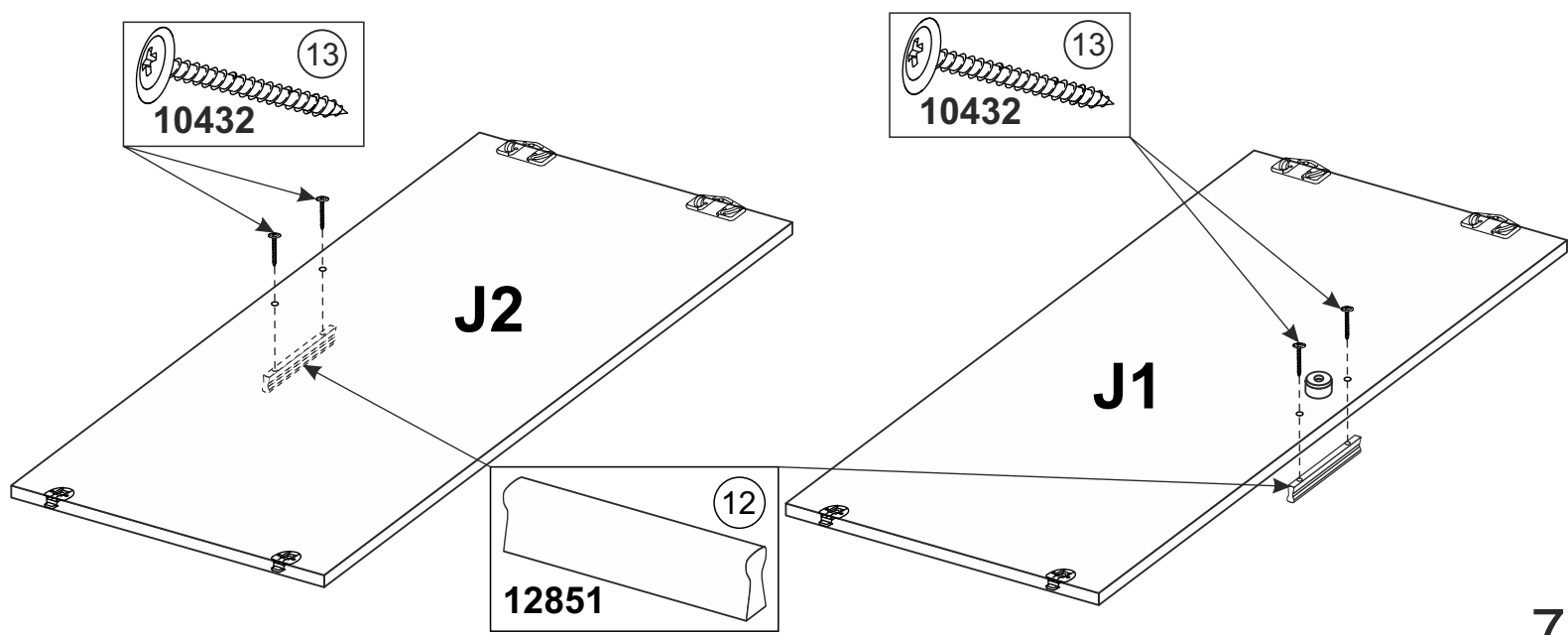
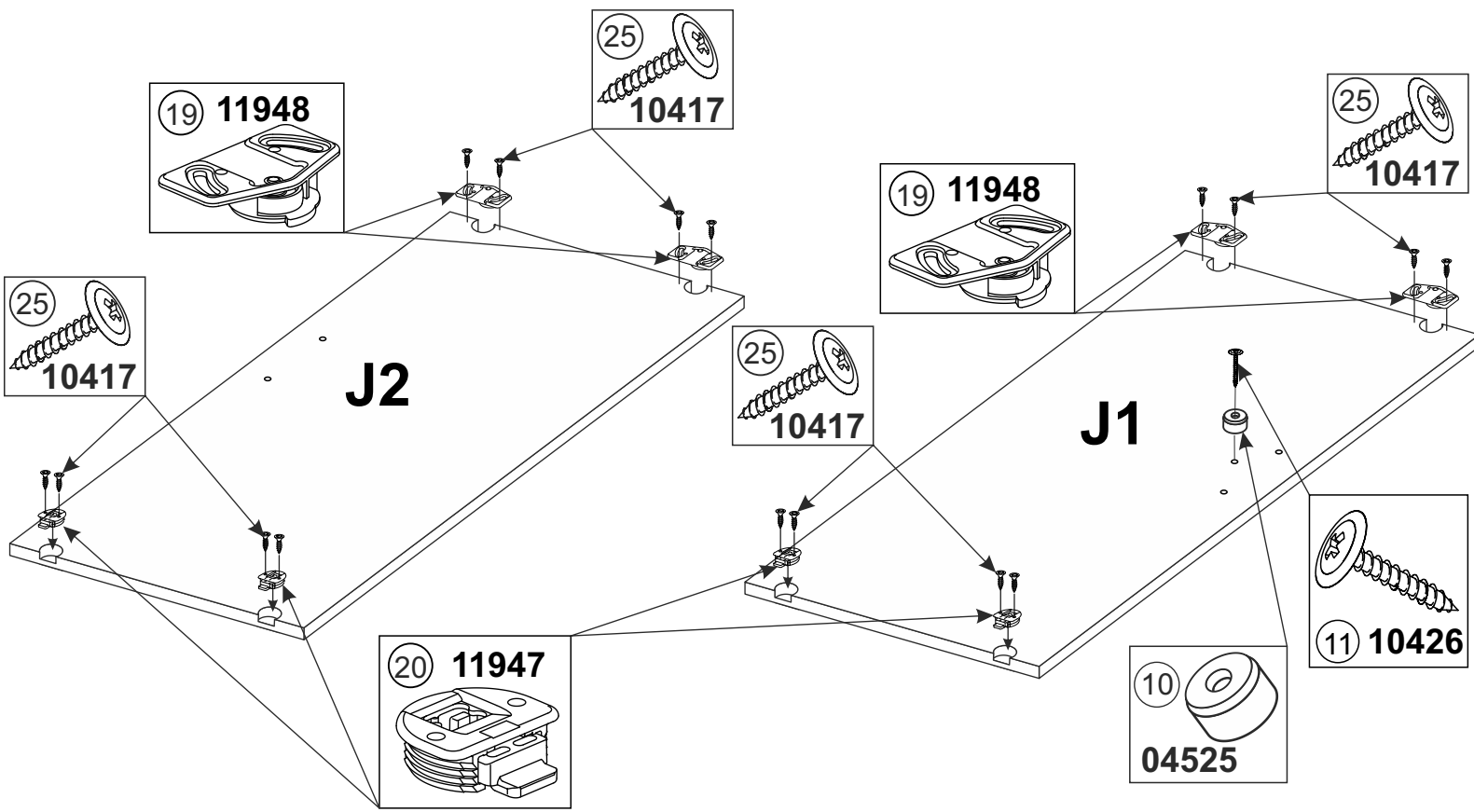
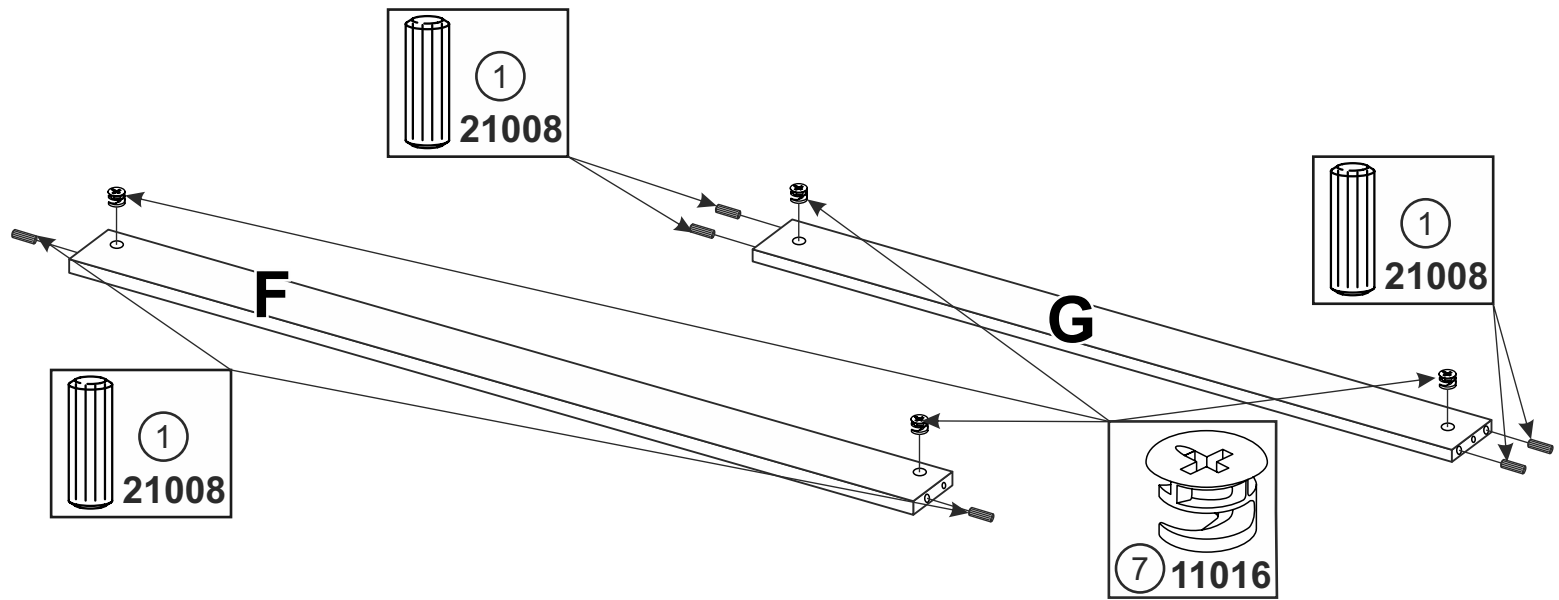
①	$\varnothing 8 \times 30$ 	x70	21008
④	$\varnothing 6,4 \times 50$ 	x10	07650
⑦		x32	11016
⑩		x7	04525
⑬	$\varnothing 4.2 \times 32$ 	x14	10432
⑯	77x21x15 	x2	08011
⑲		x4	11948
⑳		x4	11947
㉒		x2	05014
㉕	$\varnothing 4.2 \times 16$ 	x16	10417

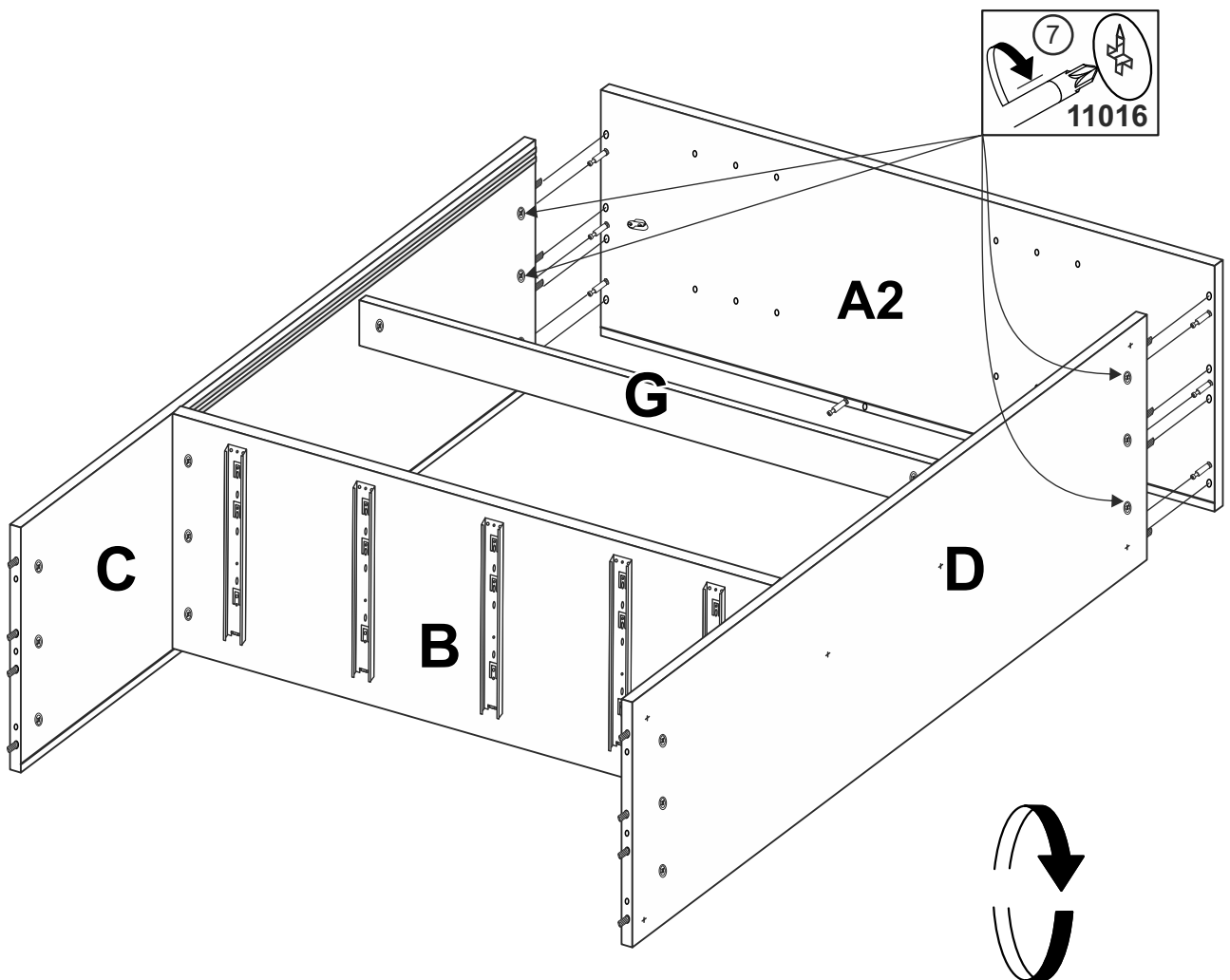
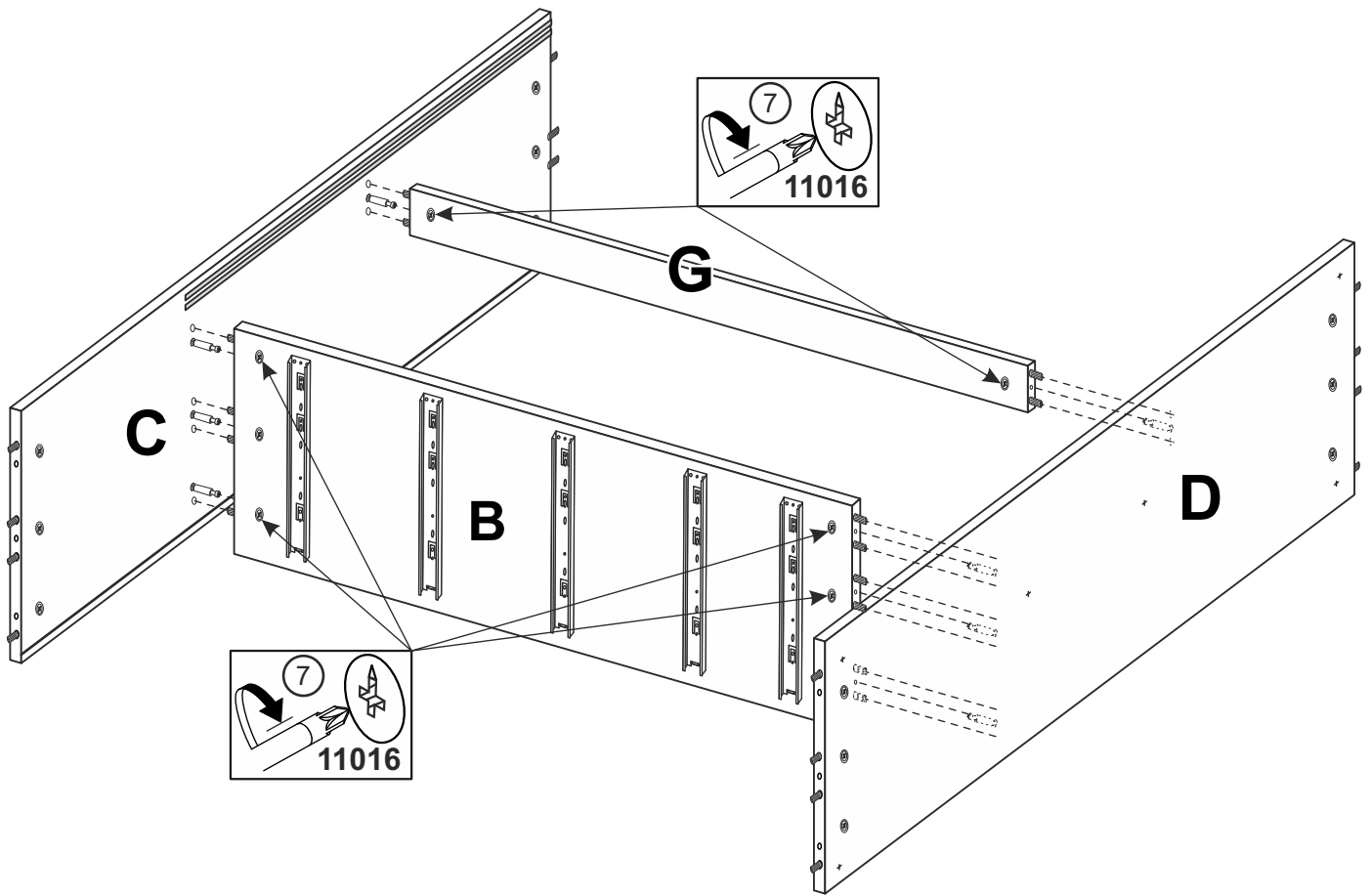
②	$\varnothing 4 \times 16$ 	x25	10416
⑤	 	x1	07001
⑧		x5	12400
⑪	$\varnothing 4.2 \times 25$ 	x7	10426
⑭	$\varnothing 8 \times 50$ 	x2	10016
⑰	$\varnothing 4.2 \times 13$ 	x4	10413
㉑		x4	11947
㉓	$\varnothing 5 \times 9$ 	x4	10509

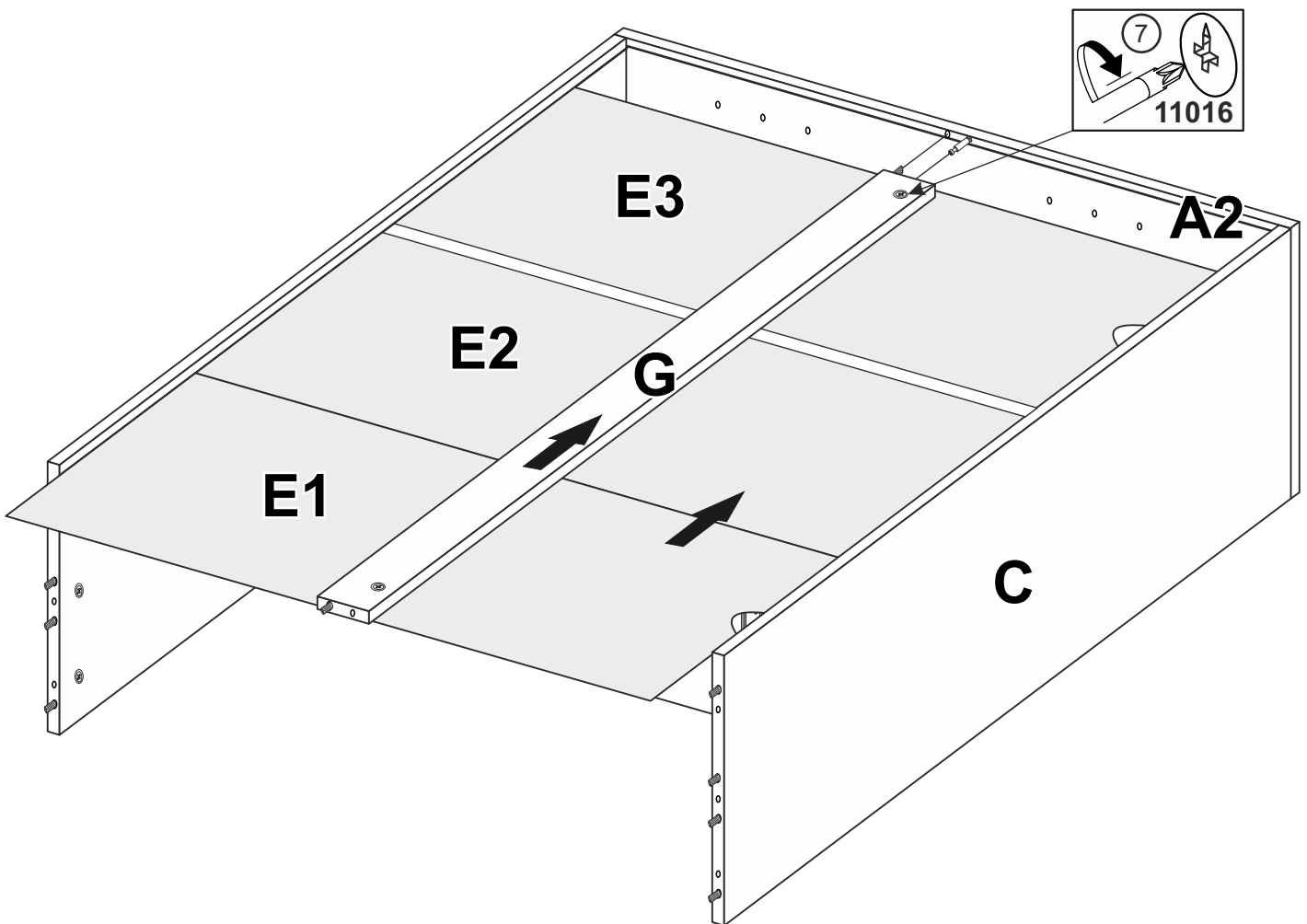
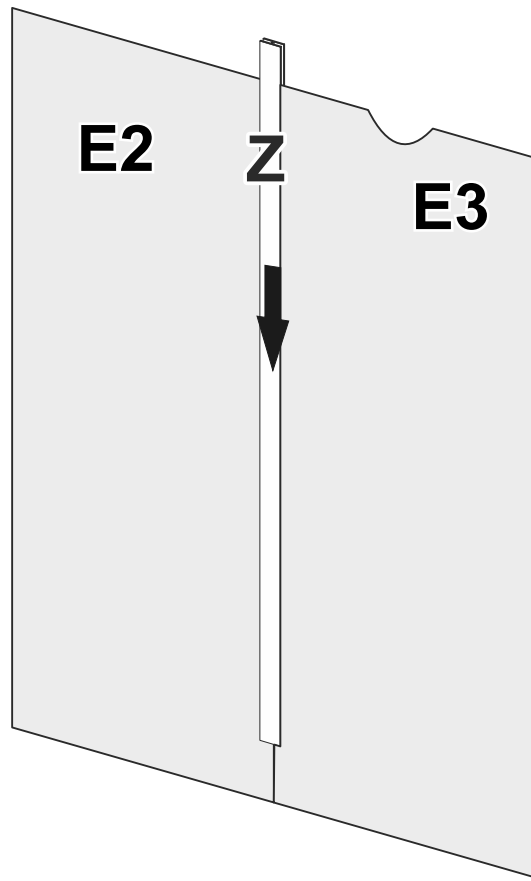
③		x25	08003
⑥		x32	11002
⑨	$\varnothing 5 \times 13$ 	x60	10513
⑫		x7	12851
⑮	$\varnothing 5 \times 60$ 	x2	10443
⑱		x42	00212
㉒	$\varnothing 4 \times 20$ 	x8	10420
㉔		x8	59587

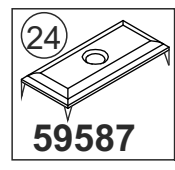
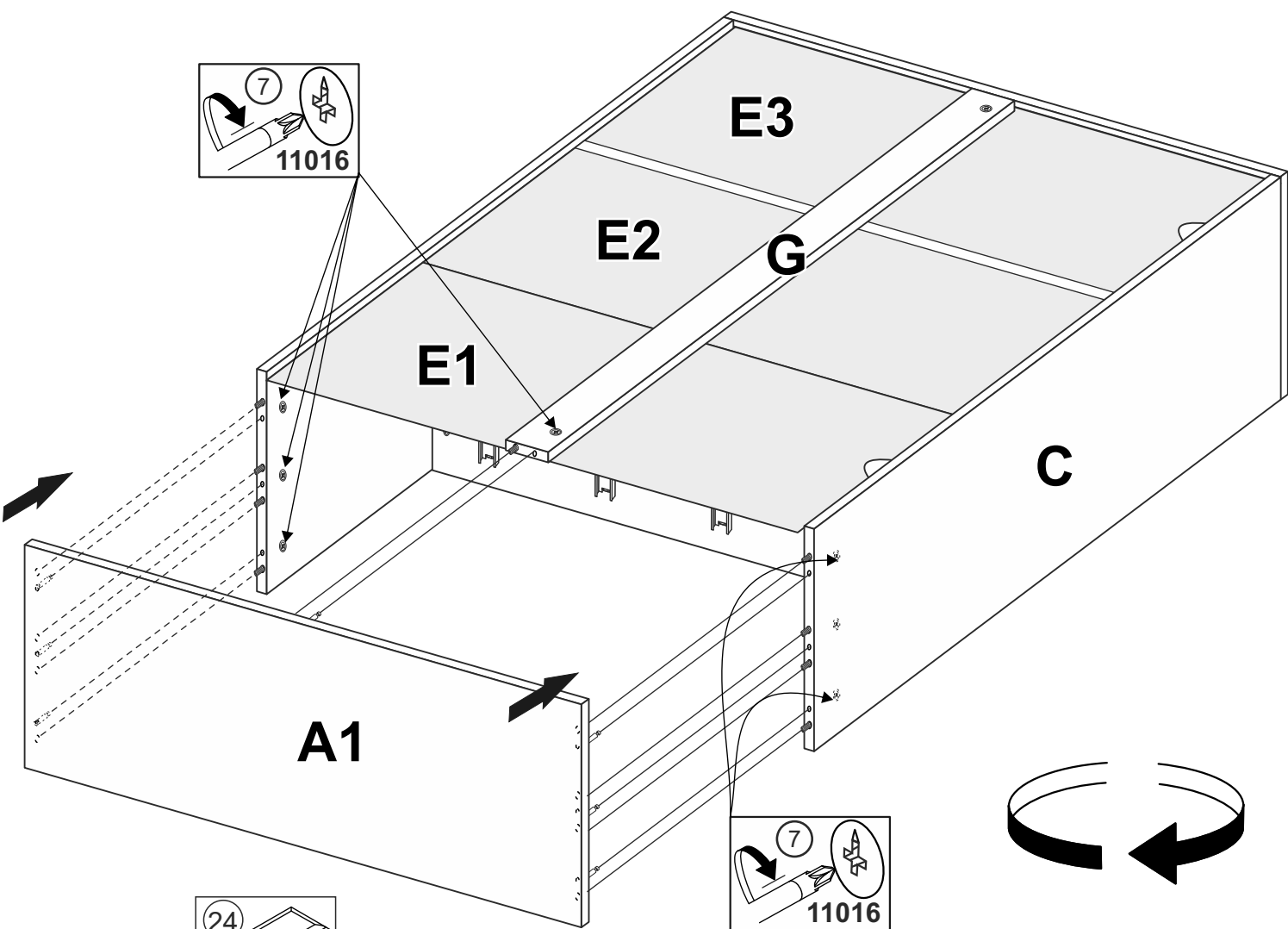












a=b

