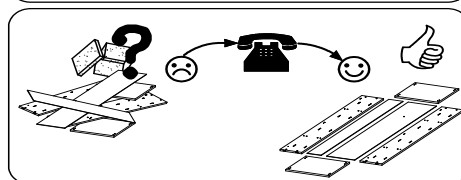
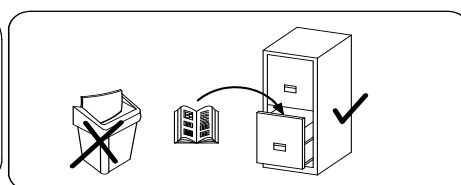
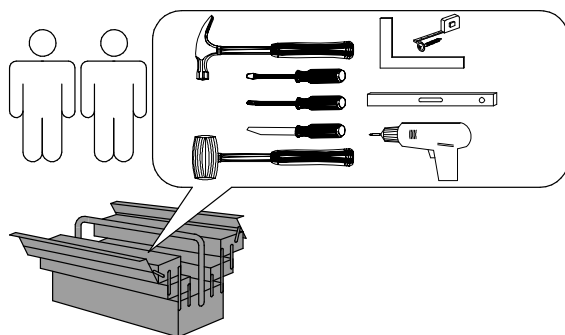
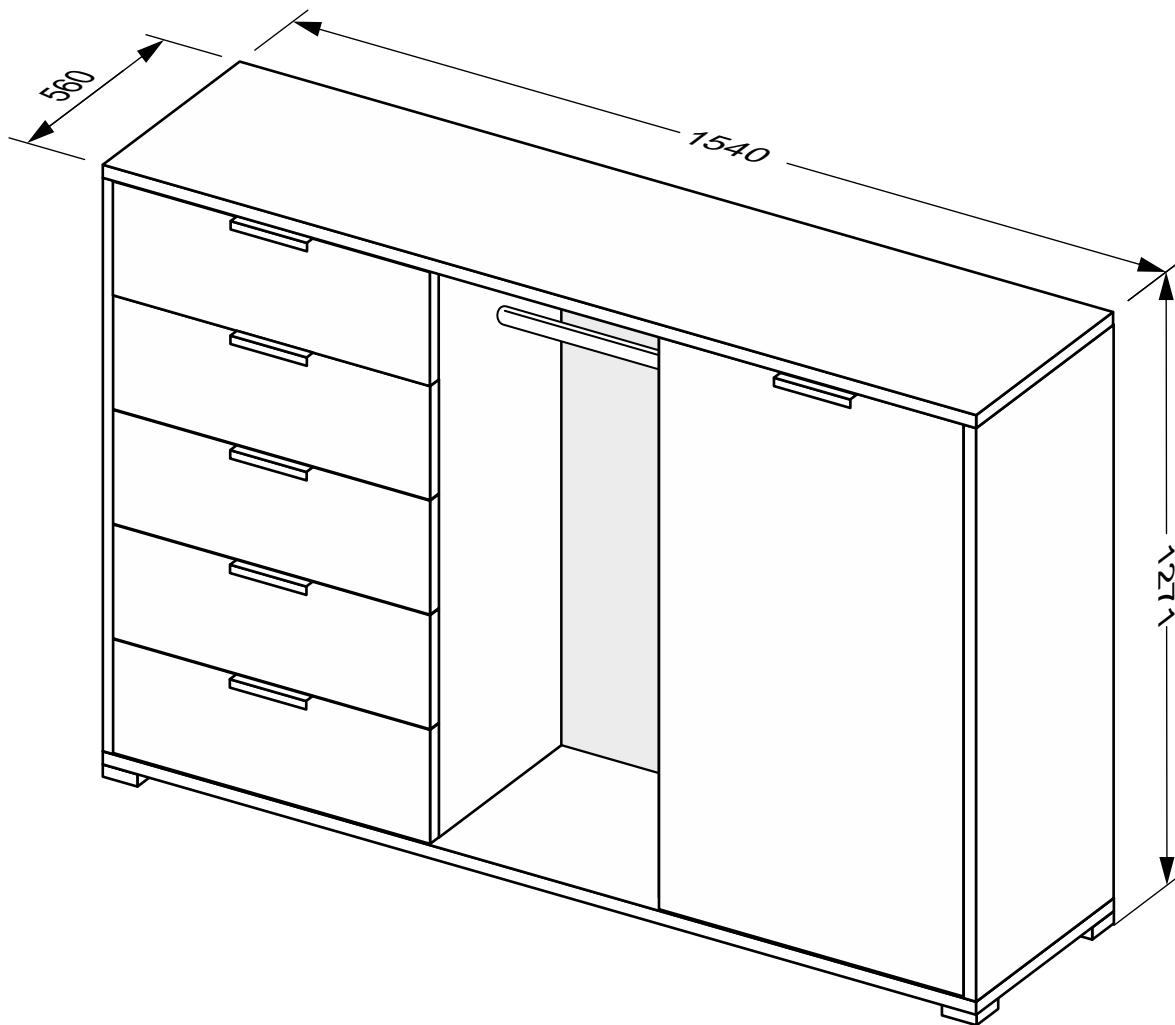
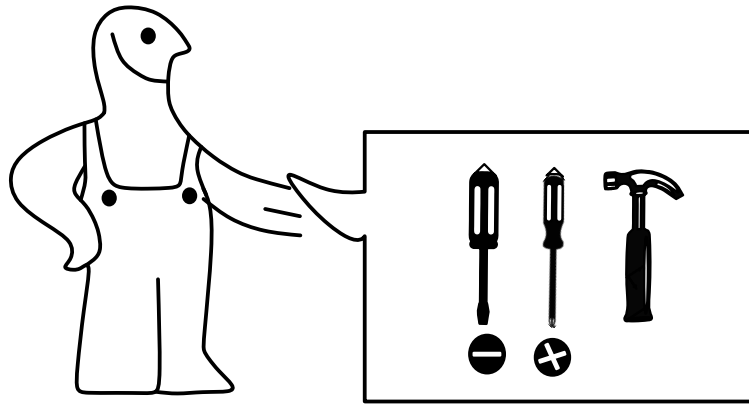


# LUCIA

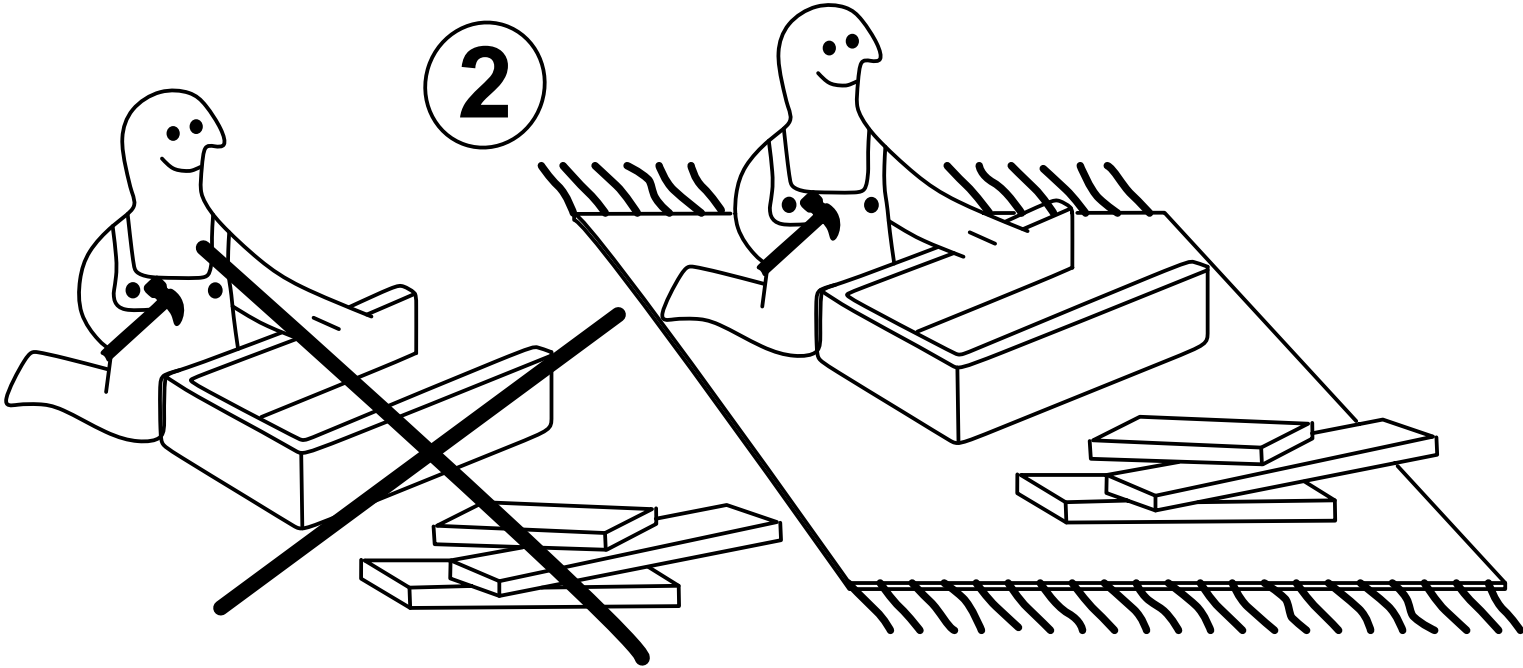
3812917M, 3812929M



1



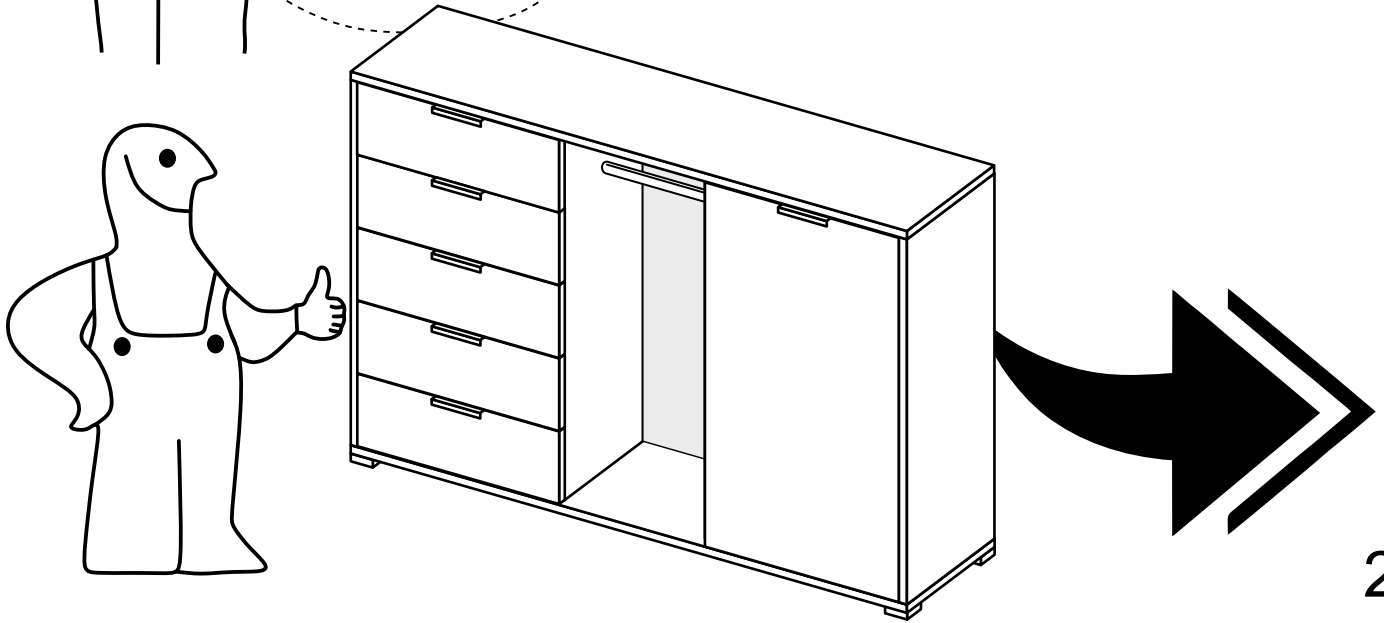
2

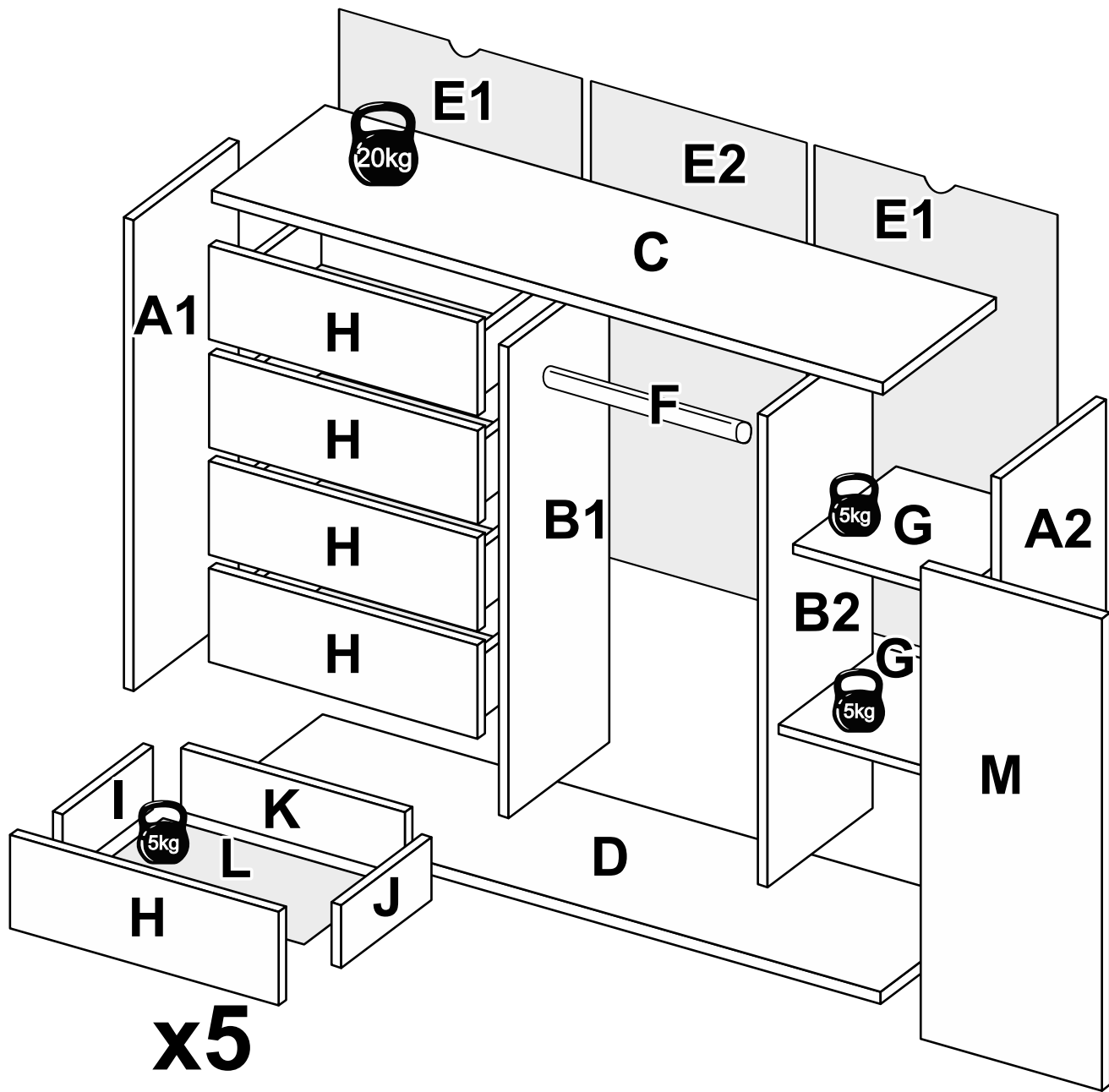


3

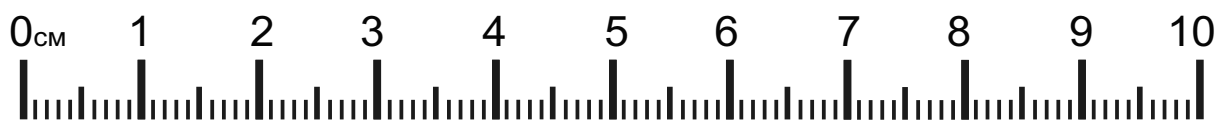
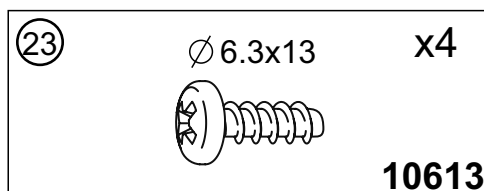
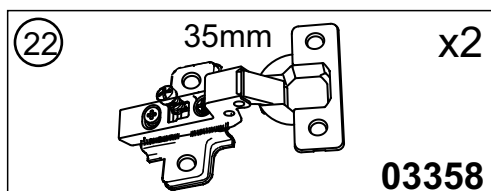
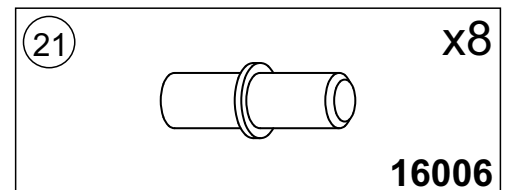
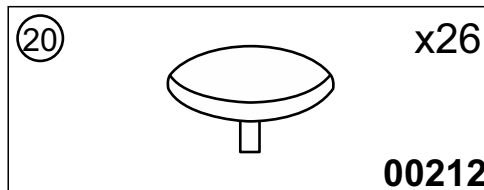
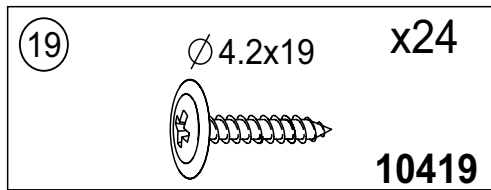
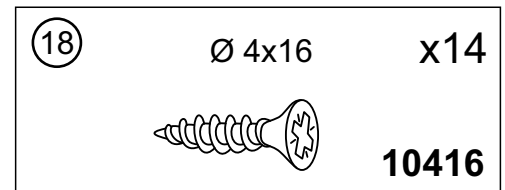
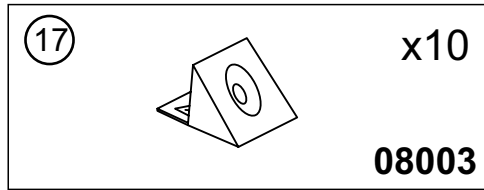
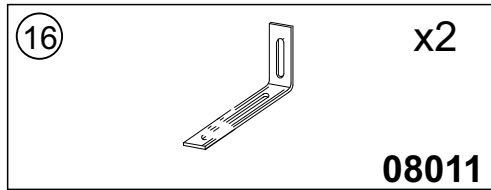
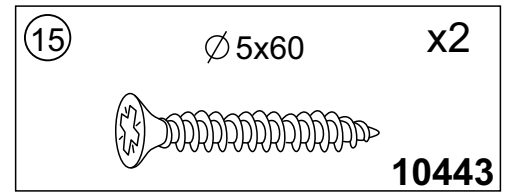
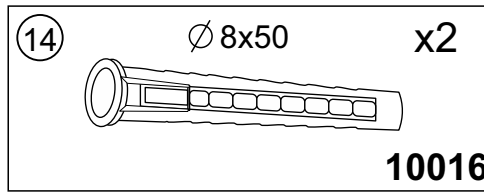
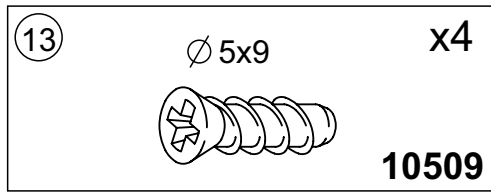
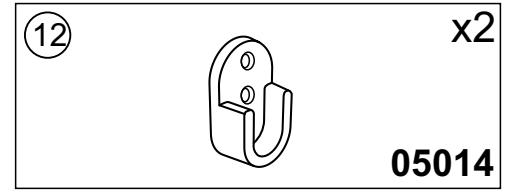
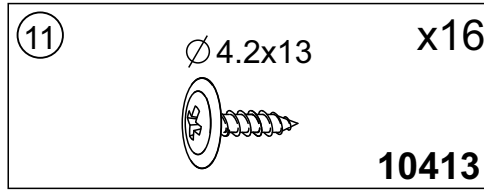
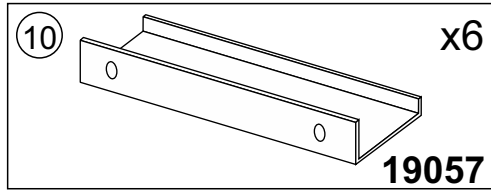
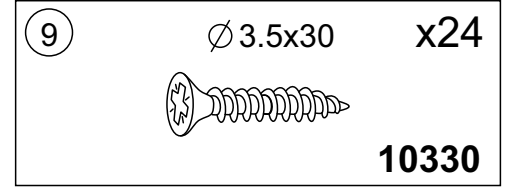
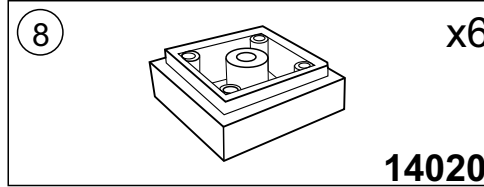
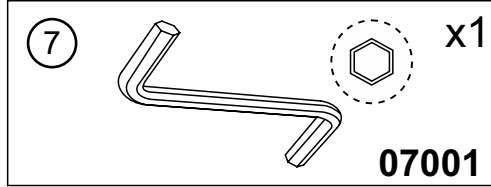
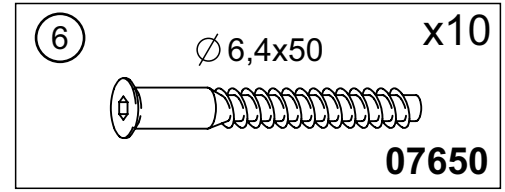
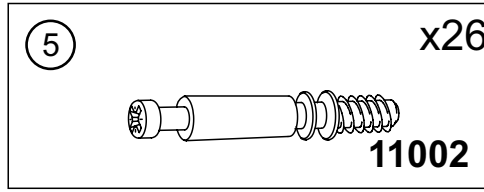
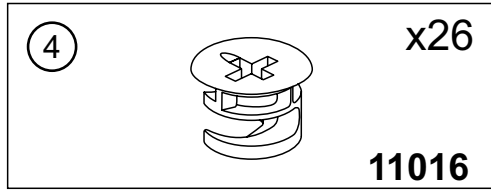
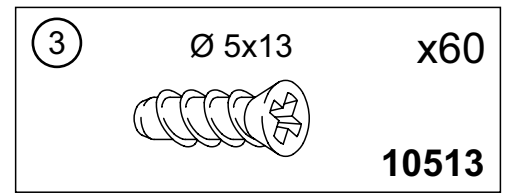
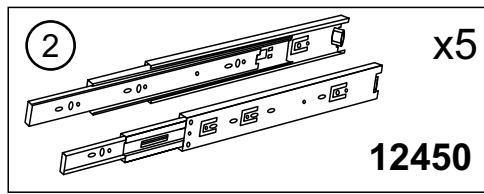
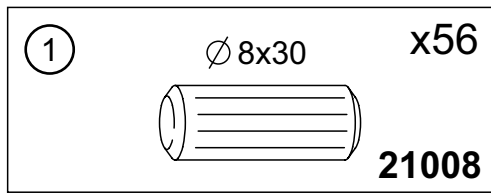


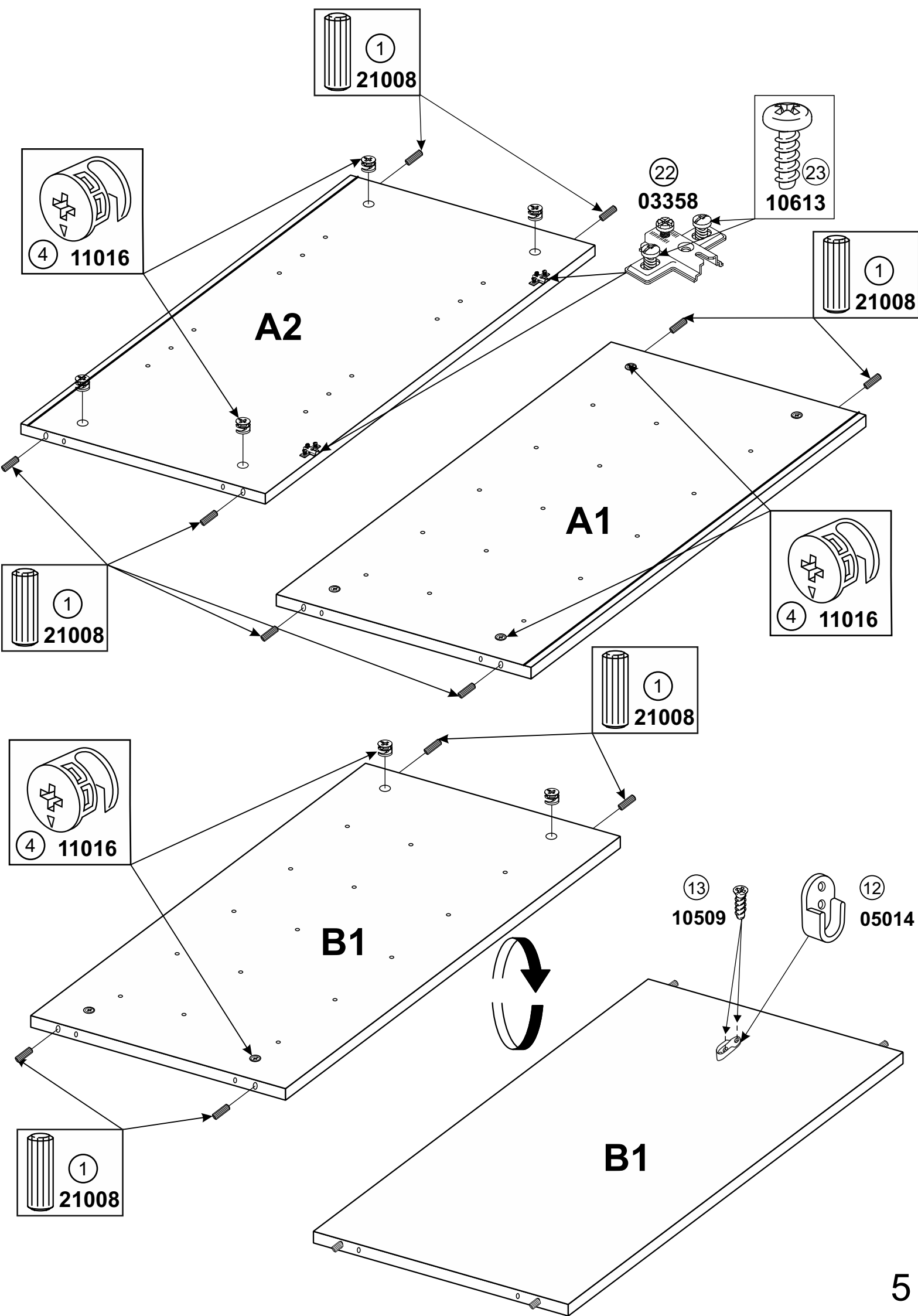
4

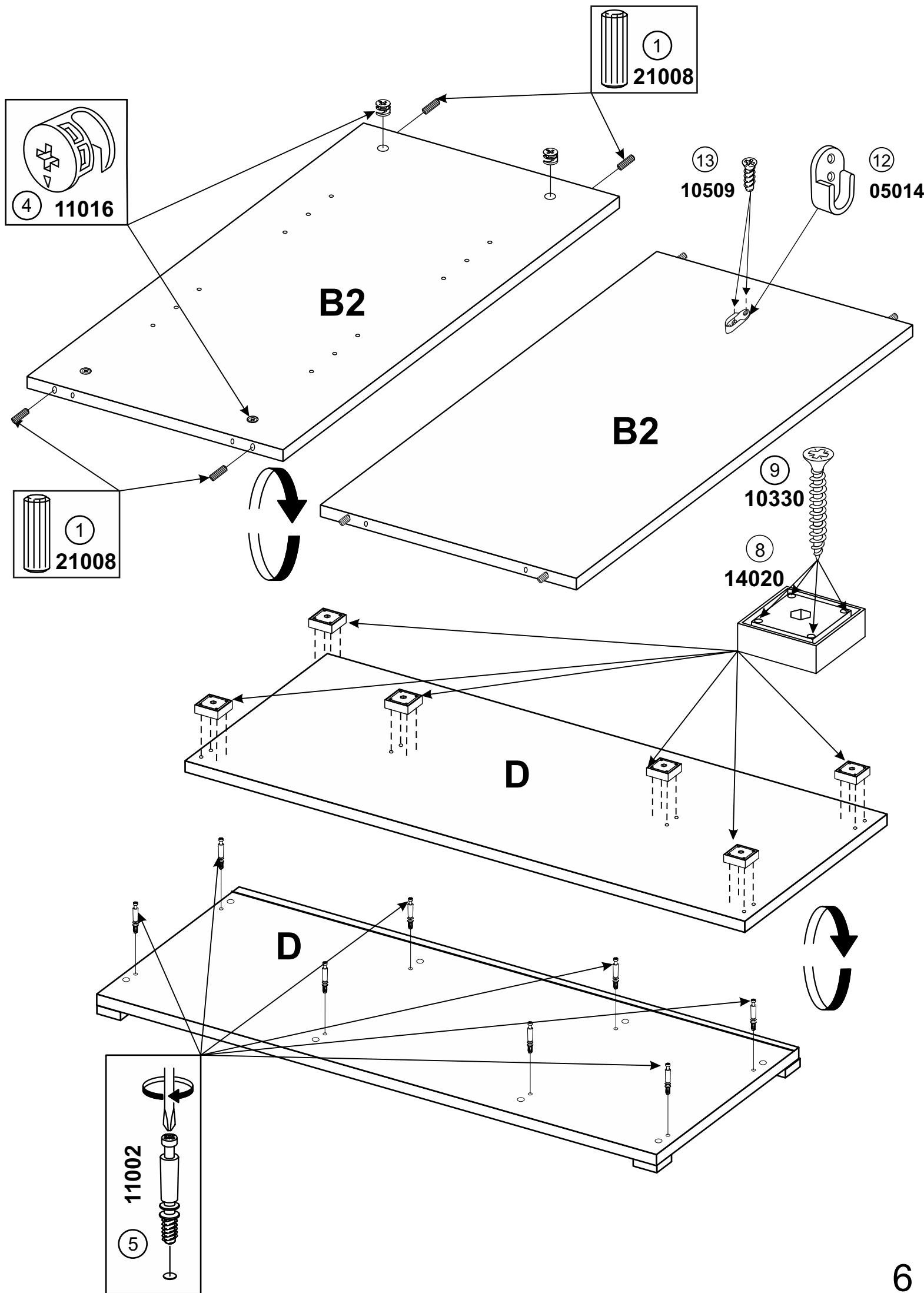


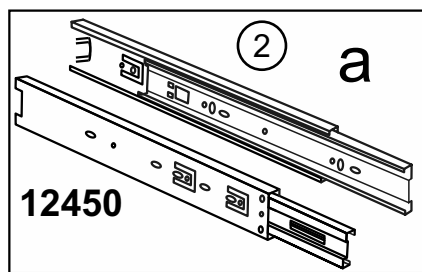
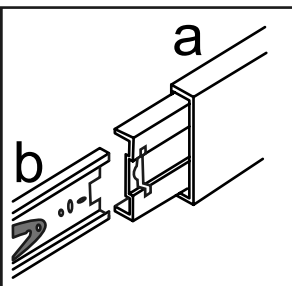
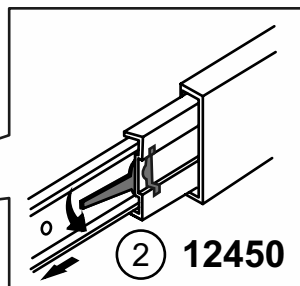
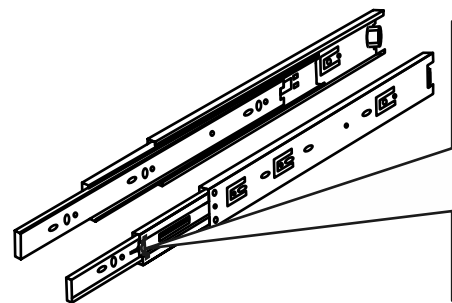


<b>A1</b>	-	1219	x	560	x	16	-	x	1	1/3
<b>A2</b>	-	1219	x	560	x	16	-	x	1	1/3
<b>B1</b>	-	1219	x	523	x	16	-	x	1	2/3
<b>B2</b>	-	1219	x	523	x	16	-	x	1	2/3
<b>C</b>	-	1540	x	560	x	18	-	x	1	3/3
<b>D</b>	-	1540	x	560	x	16	-	x	1	3/3
<b>E1</b>	-	1231	x	503	x	3	-	x	2	3/3
<b>E2</b>	-	1231	x	508	x	3	-	x	1	3/3
<b>F</b>	-	487MM						x	1	1/3
<b>G</b>	-	513	x	489	x	16	-	x	2	2/3
<b>H</b>	-	501	x	239	x	16	-	x	5	3/3
<b>I</b>	-	450	x	130	x	16	-	x	5	1/3
<b>J</b>	-	450	x	130	x	16	-	x	5	1/3
<b>K</b>	-	432	x	130	x	16	-	x	5	1/3
<b>L</b>	-	444	x	446	x	3	-	x	5	1/3
<b>M</b>	-	1212	x	501	x	16	-	x	1	3/3

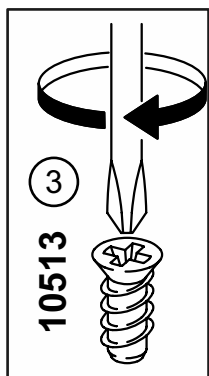






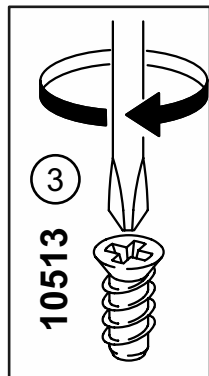


12450



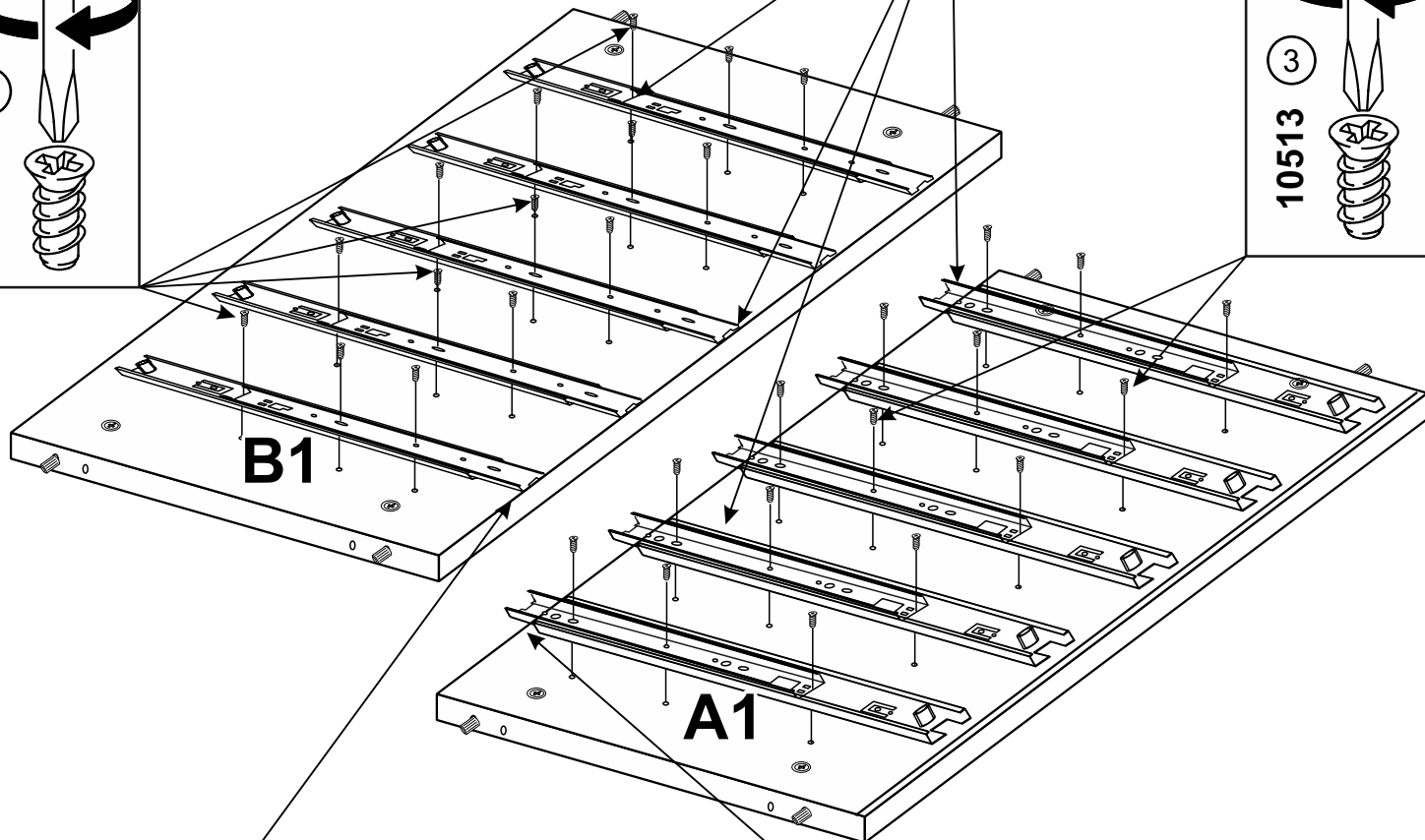
3

10513



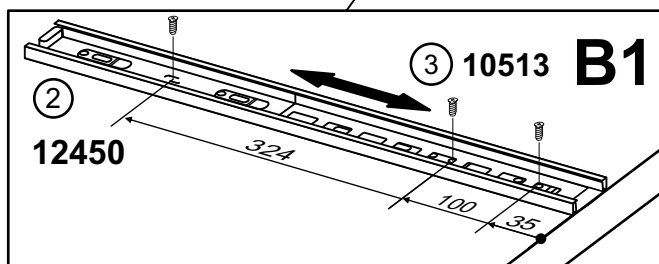
3

10513



B1

A1



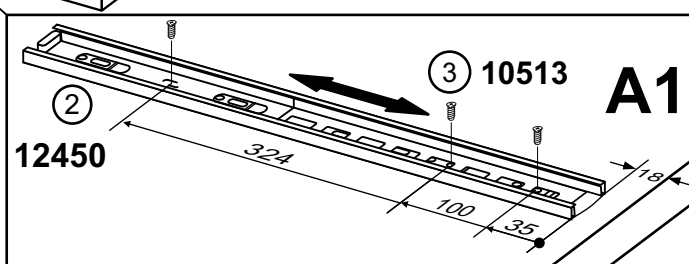
2

12450

3

10513

B1



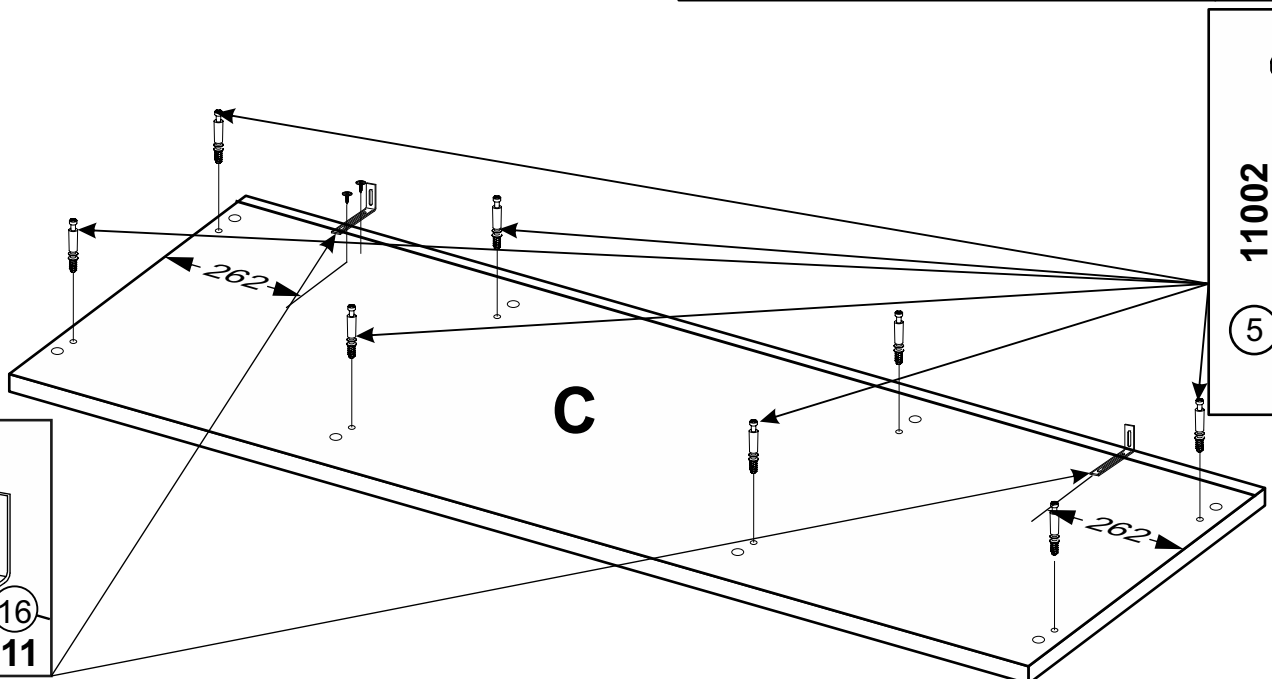
2

12450

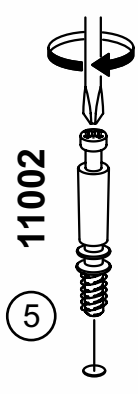
3

10513

A1

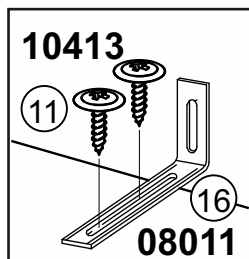


C



5

11002

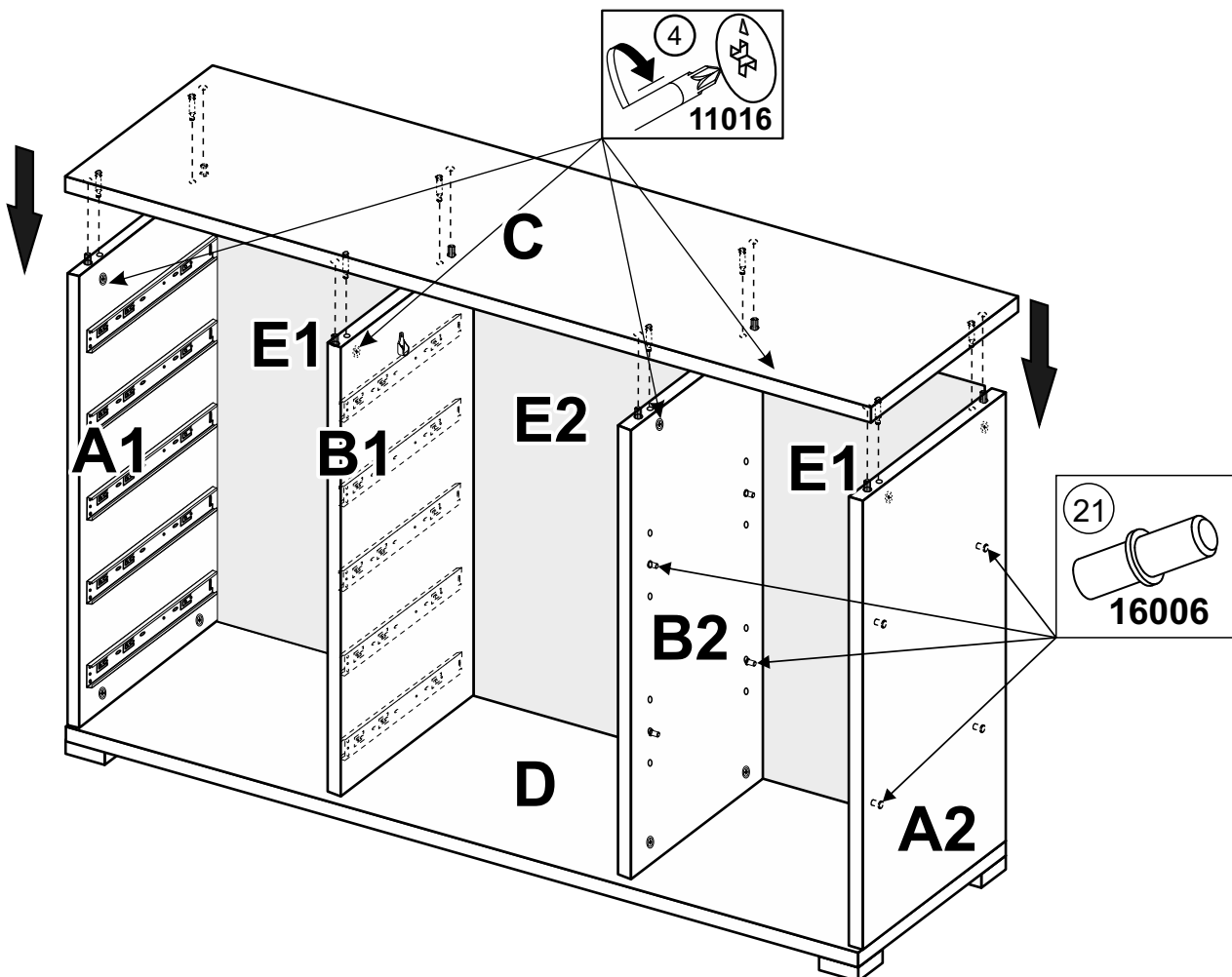
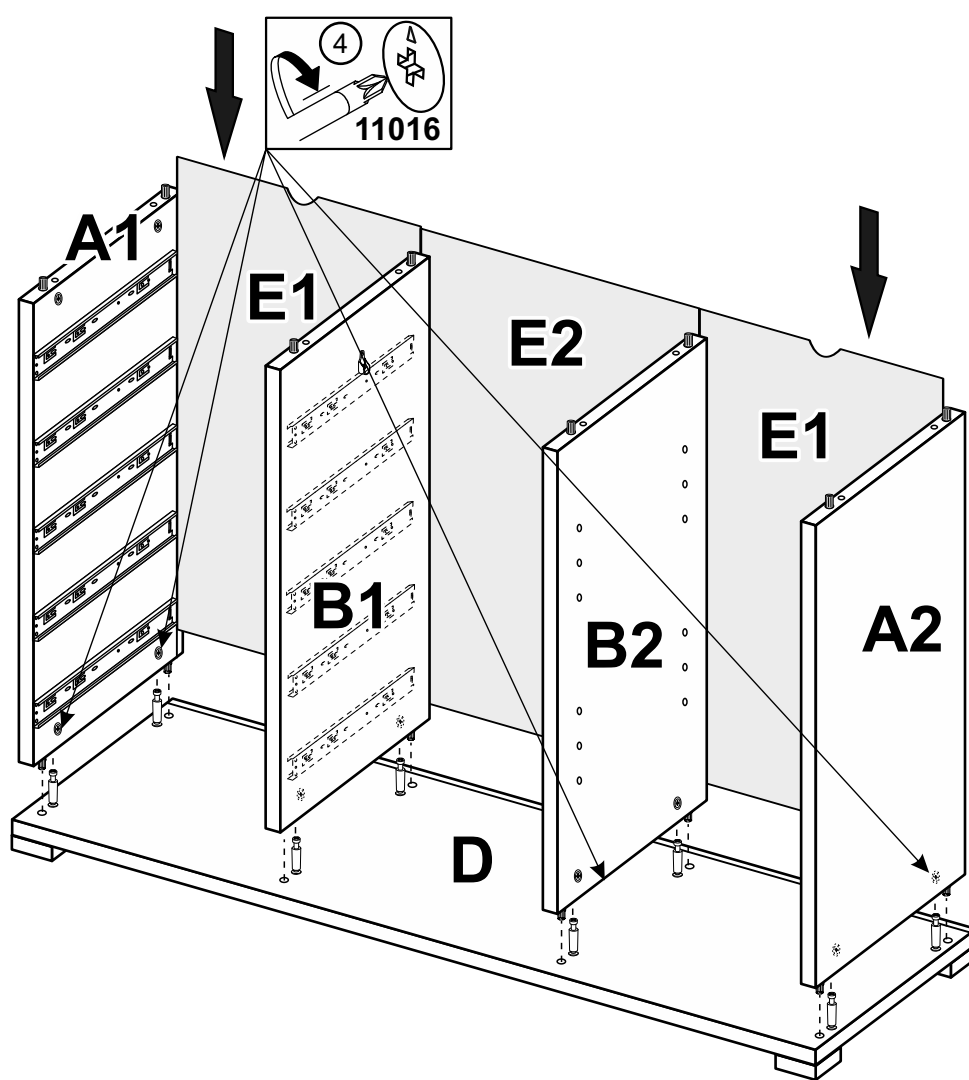


11

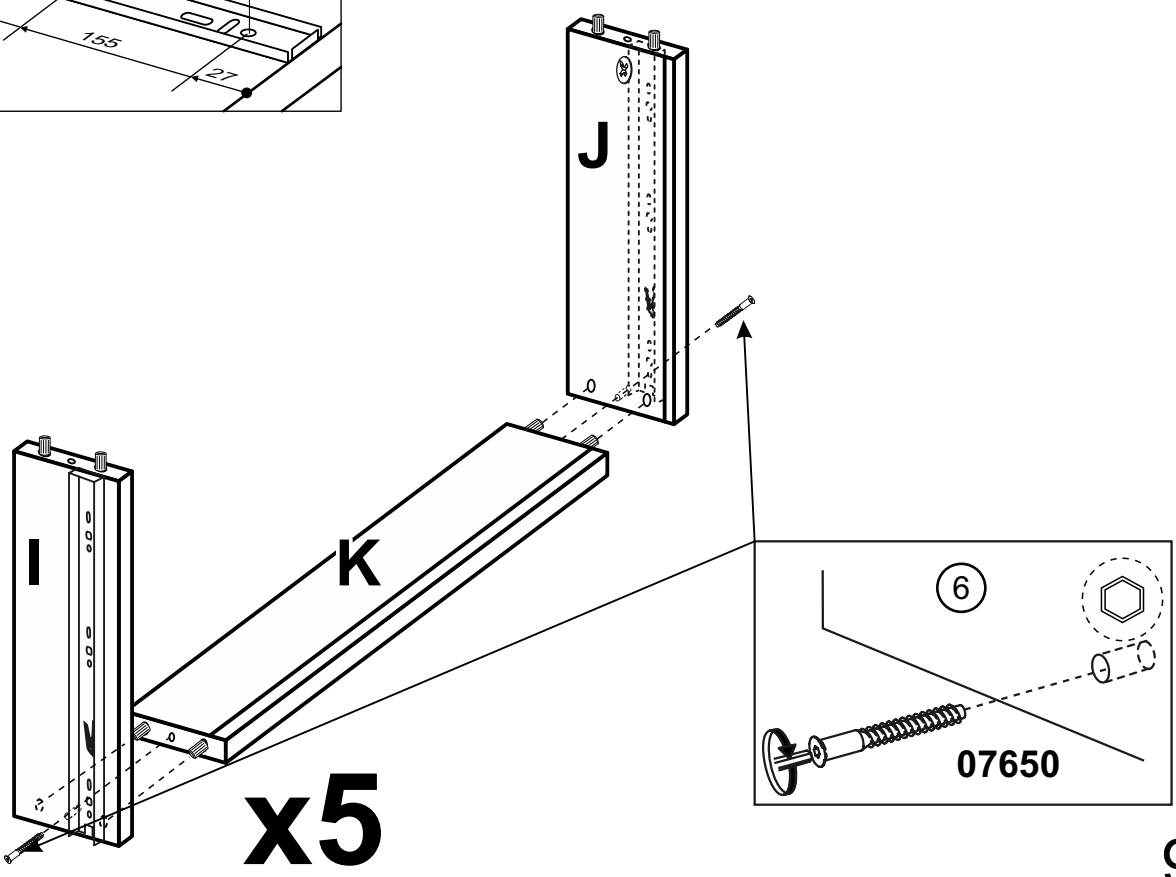
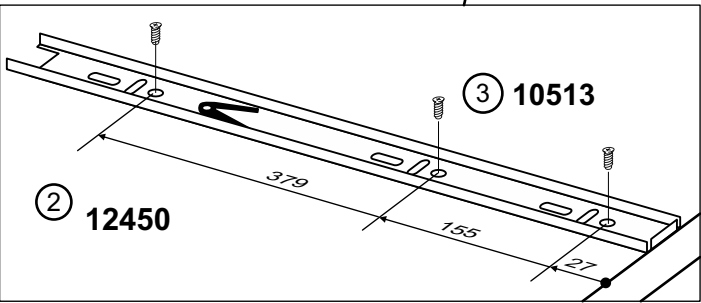
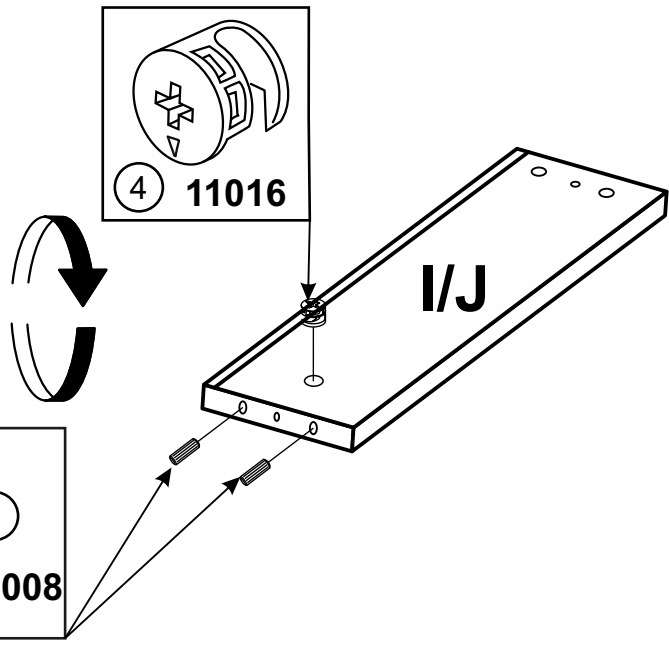
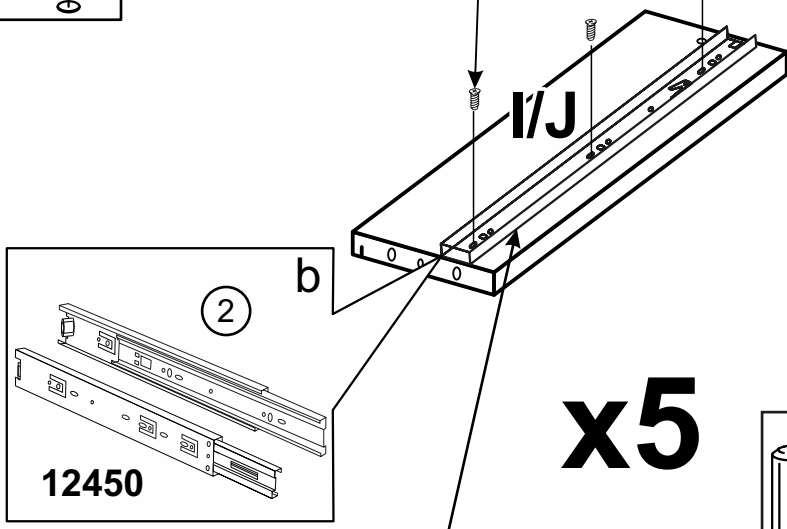
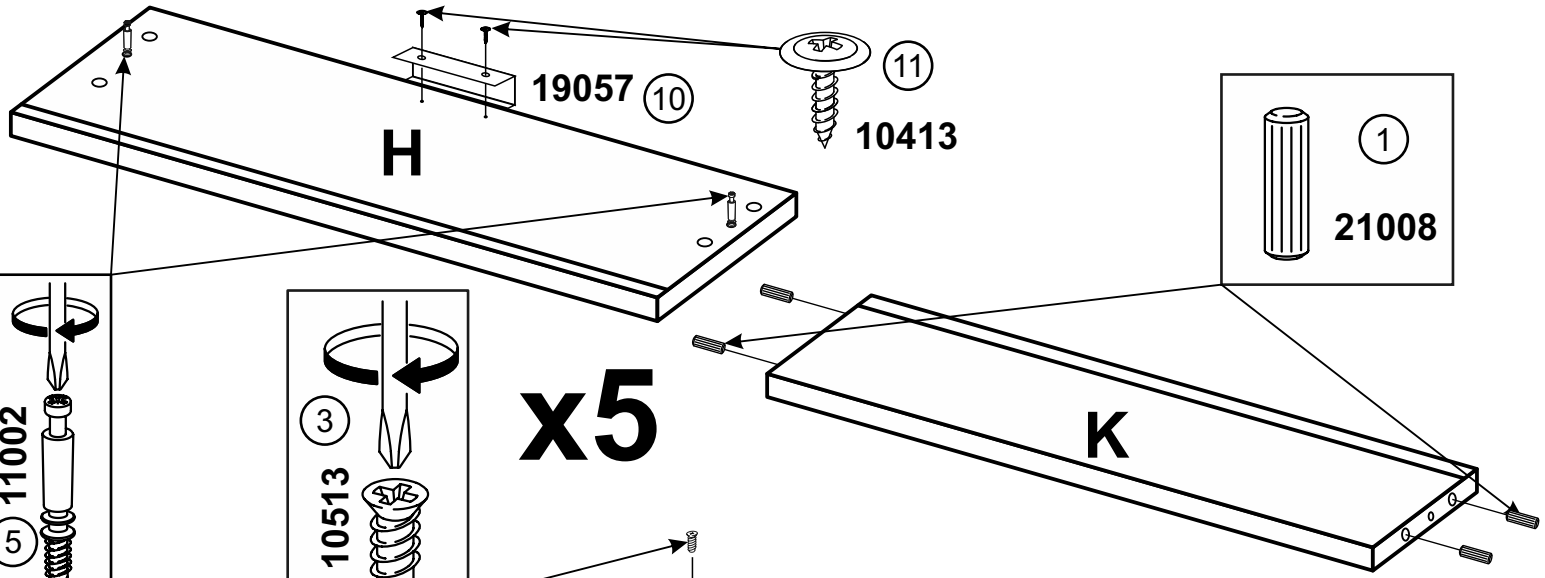
10413

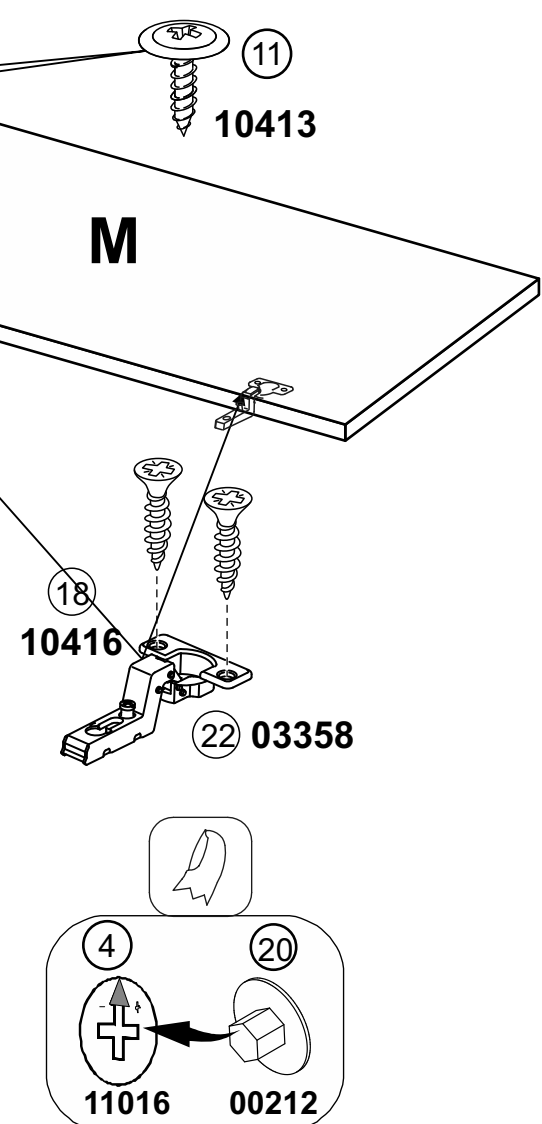
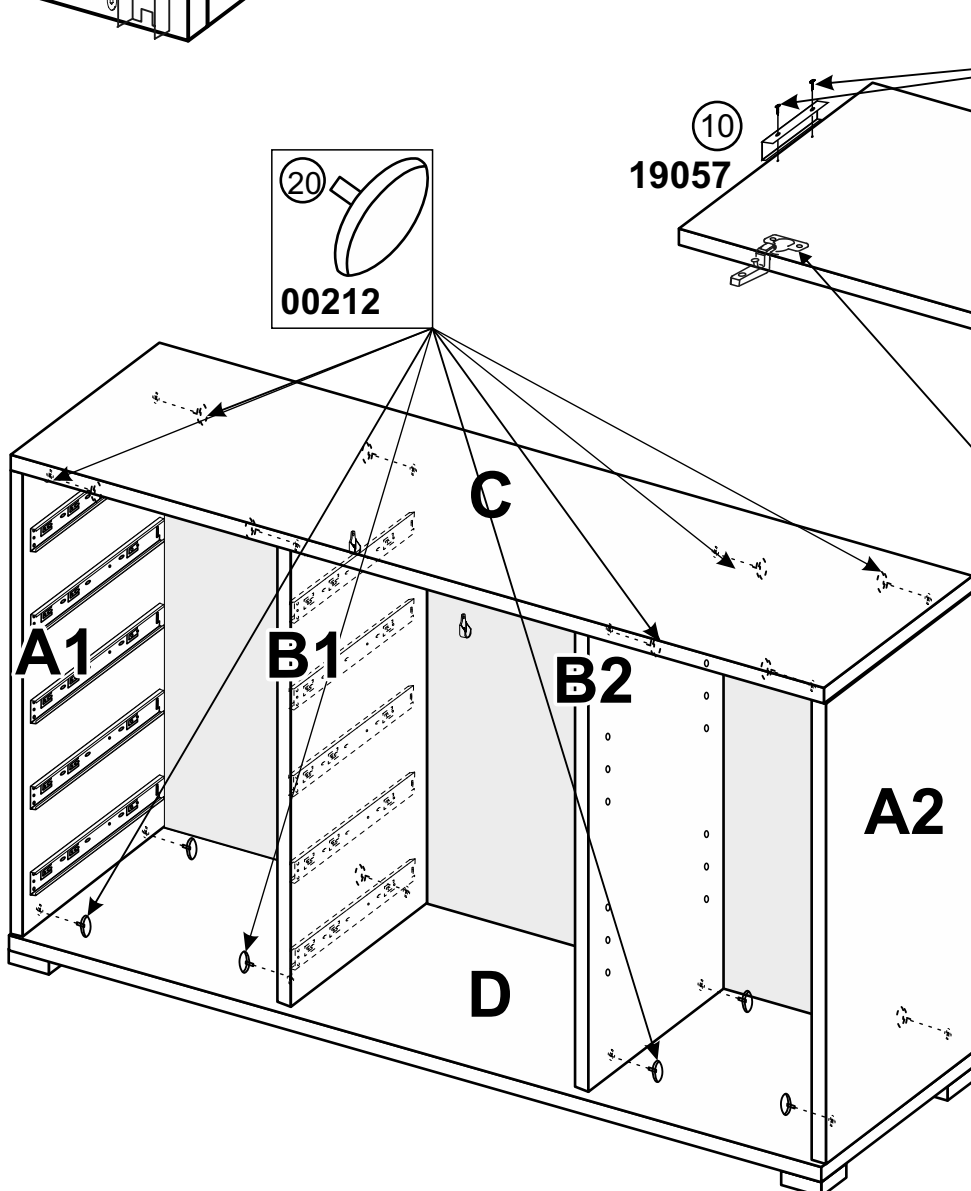
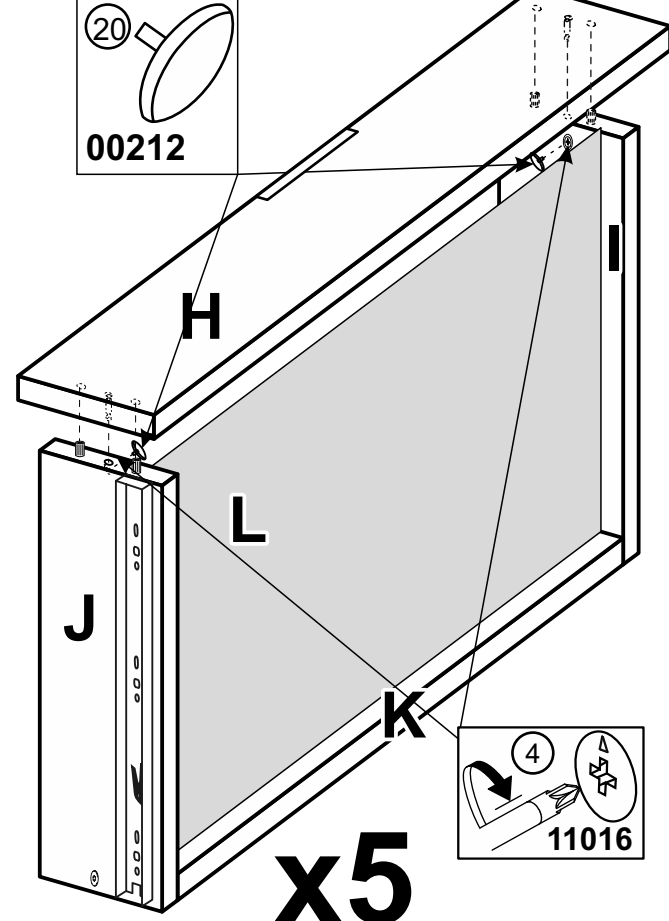
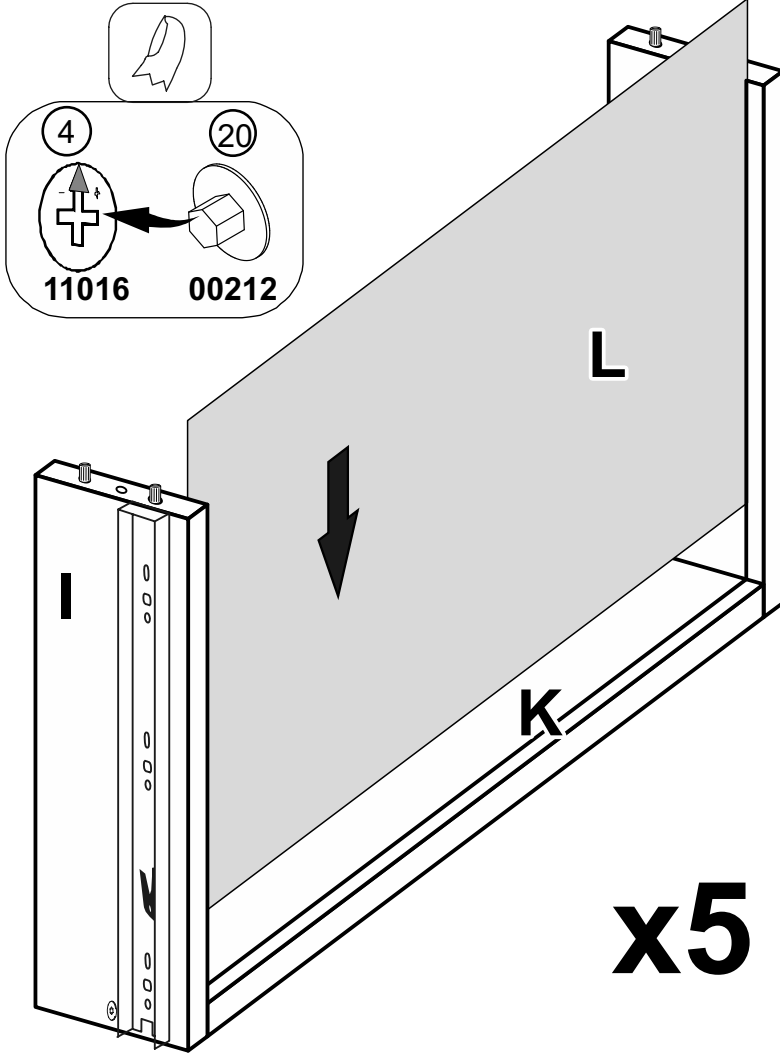
16

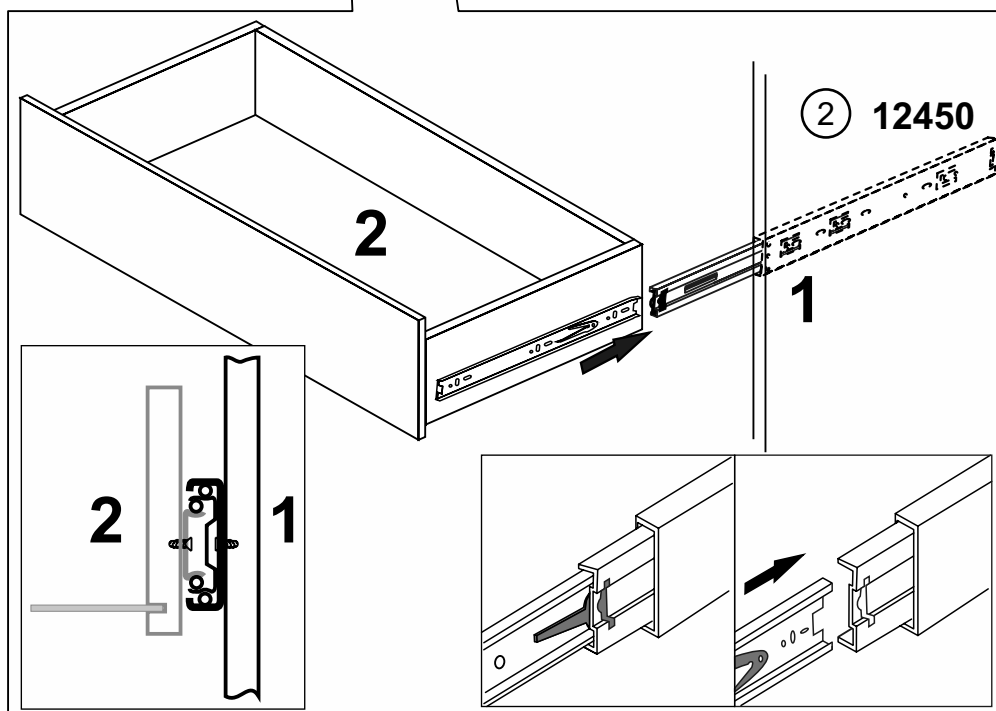
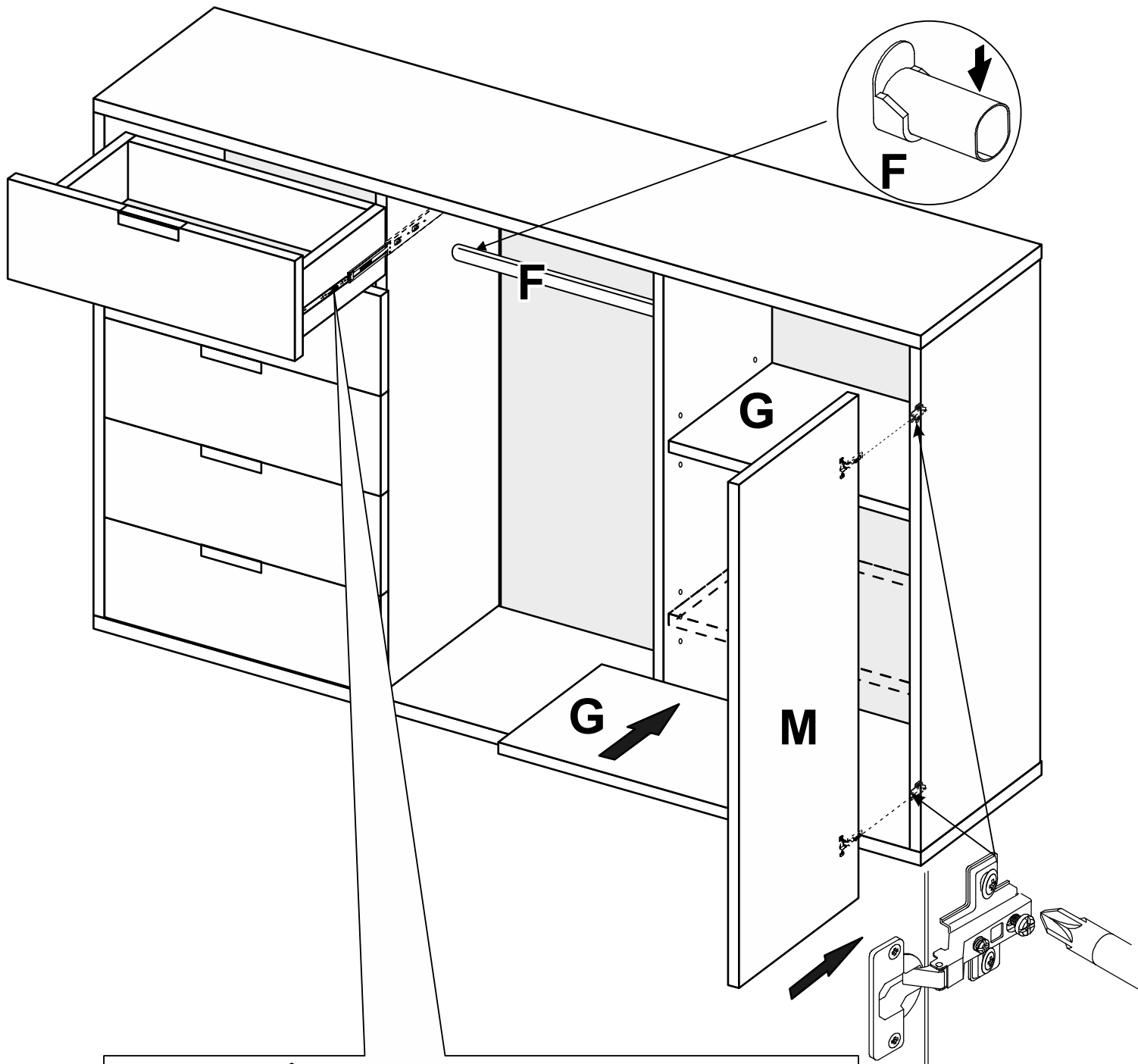
08011











**a = b**

