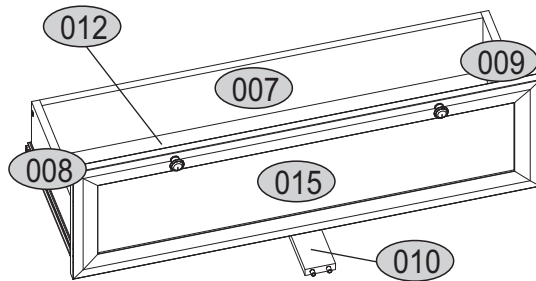
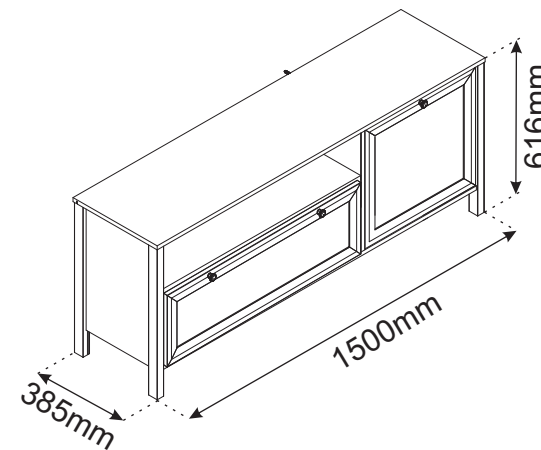
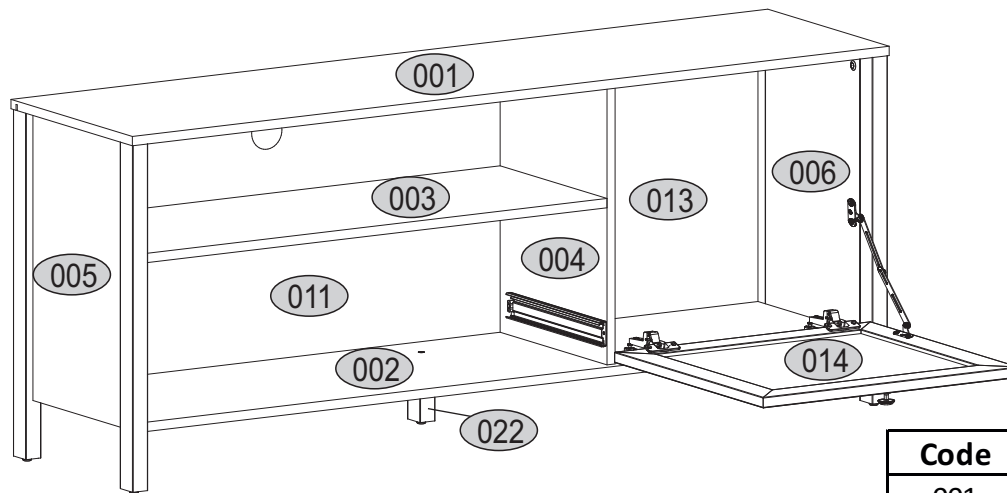
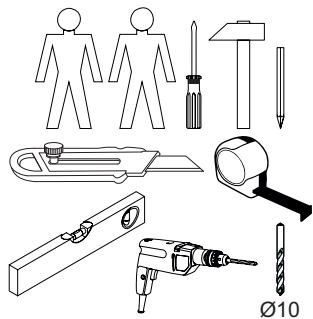
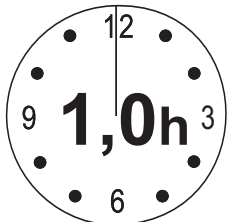
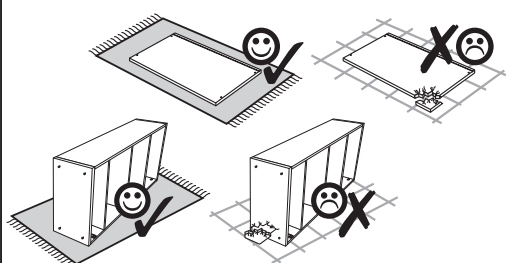
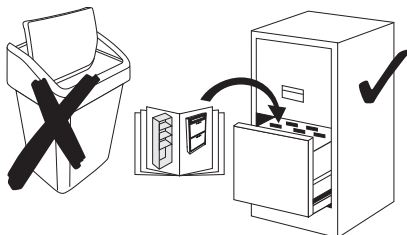


Installation manual
















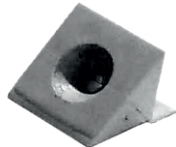




BRENT Szafka RTV 1K1S

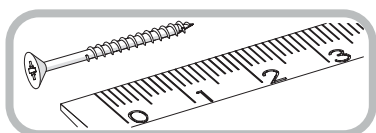


Code	Dimensions				Package
001	1500	385	16	1	1/2
002	1436	371	16	1	1/2
003	925	339	16	1	1/2
004	478	339	16	1	1/2
005	594	379	30	1	1/2
006	594	379	30	1	1/2
007	868	160	16	1	1/2
008	300	160	16	1	1/2
009	300	160	16	1	1/2
010	284	60	16	1	1/2
011	941	496	3	1	1/2
012	886	302	3	1	1/2
013	513	496	3	1	2/2
014	507	471	18	1	2/2
015	920	280	18	1	2/2
022	100	40	30	1	1/2
Accessories				1	1/2








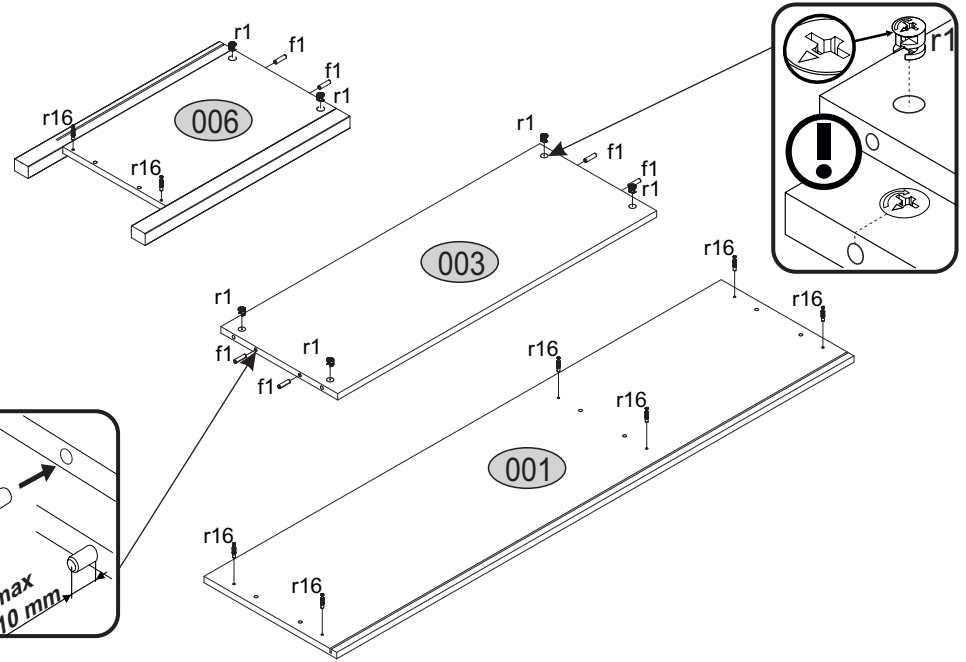
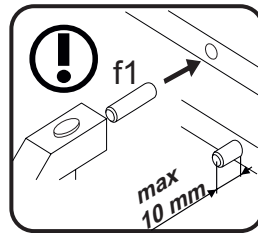
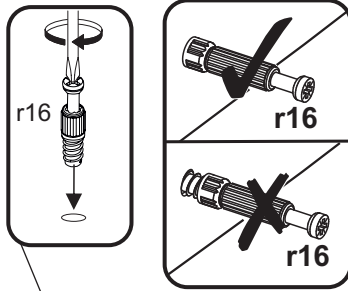
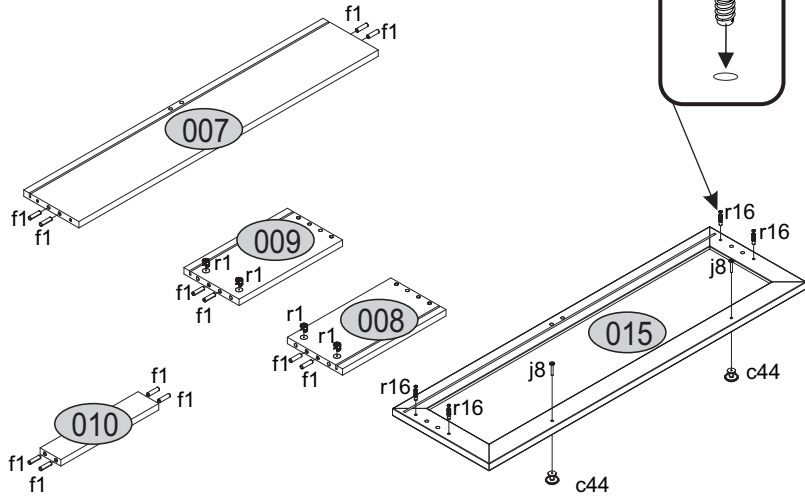
Accessories:

<p>2x a143</p> 	<p>2x b119</p> 	<p>3x c44</p> 	<p>1x m282.02</p> 
<p>7x e1 Ø7x50</p> 	<p>28x f1 Ø8x30</p> 	<p>1x f3</p> 	<p>3x j8</p> 
<p>5x k1</p> 	<p>1x n14</p> 	<p>2x n260.01</p> 	<p>1x p17 Ø6x50</p> 
<p>30x p25 Ø3.5x16</p> 	<p>18x r1 15x12</p> 	<p>18x r16 Ø5x24</p> 	<p>6x l2</p> 
<p>1x lb-300</p> 	<p>10x s2</p> 	<p>1x z1</p> 	<p>4x m35</p> 





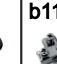




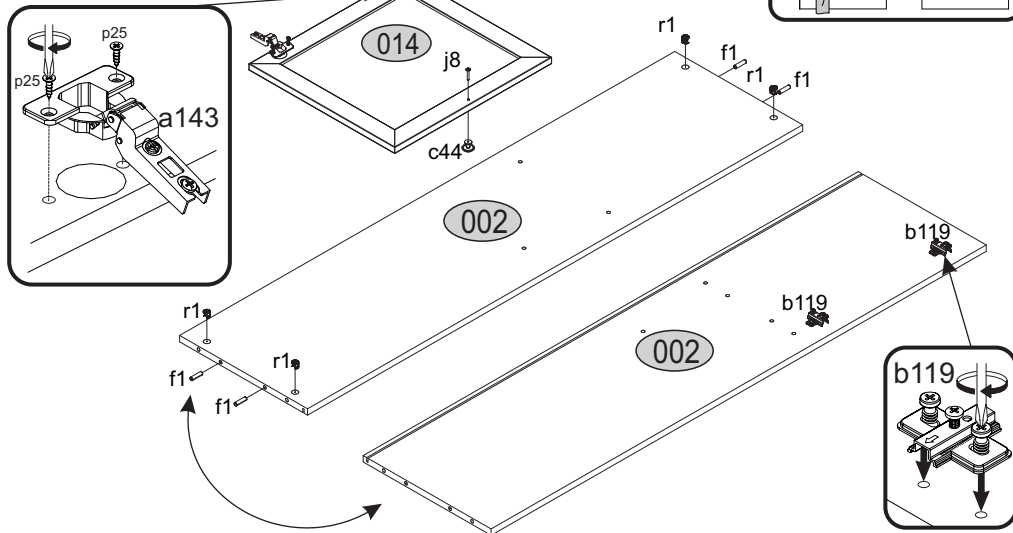
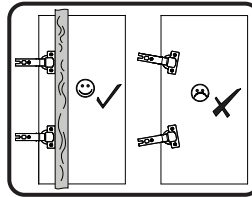
1

				
x10	x12	x18	x2	x2




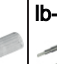



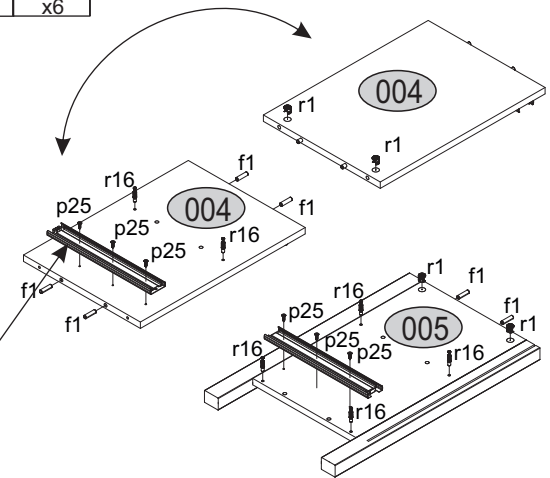
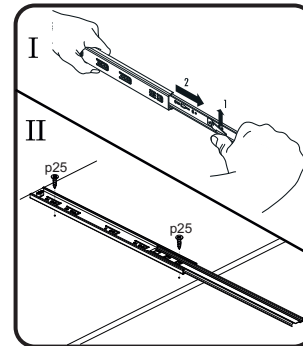
2

						
x2	x4	x1	x1	x2	x4	x4

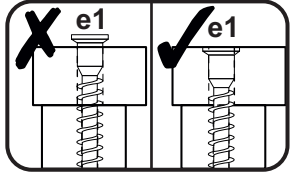
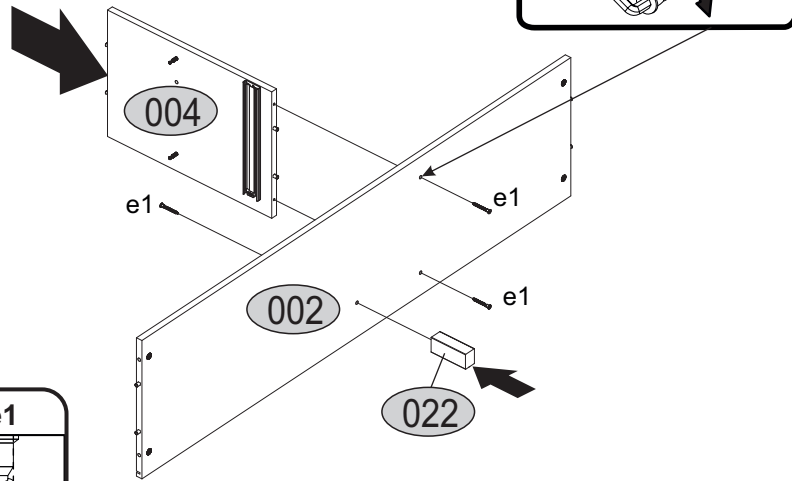


3

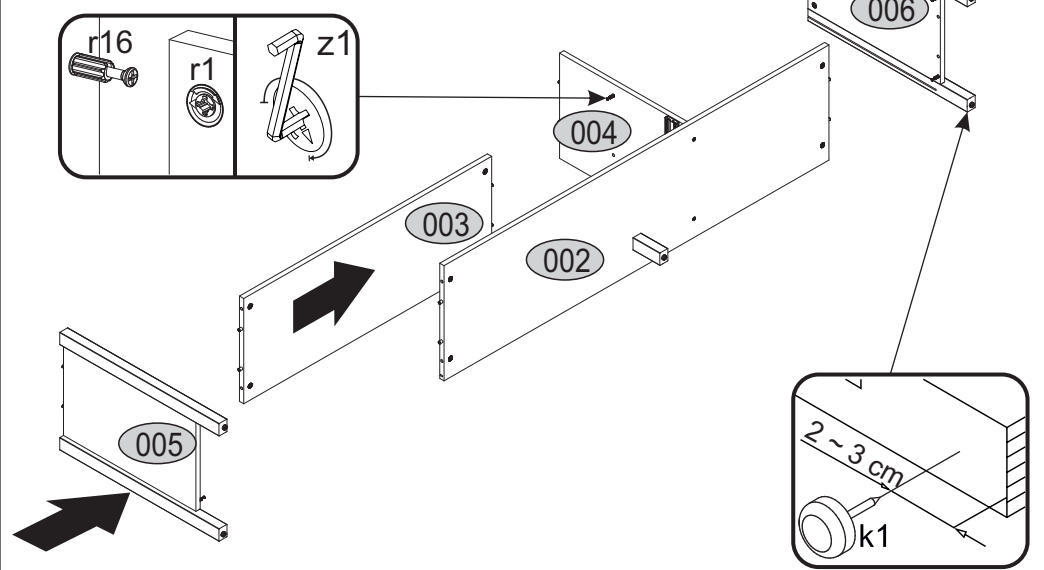
				
x6	x4	x6	x1	x6



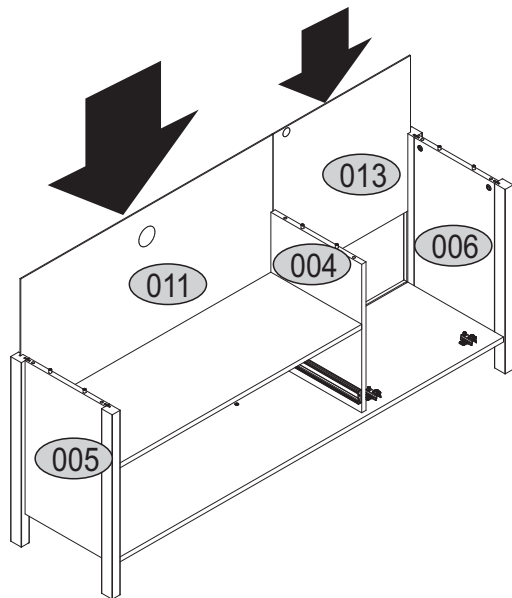
4 e1
x3



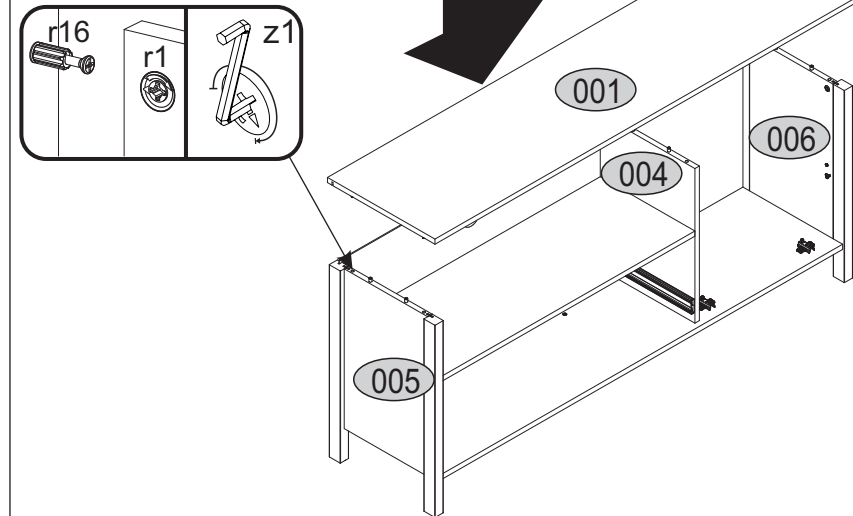
5 k1
x5



6

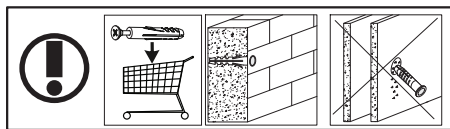
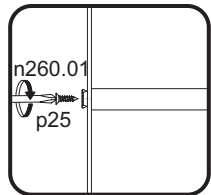
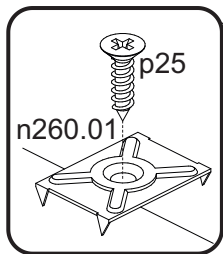
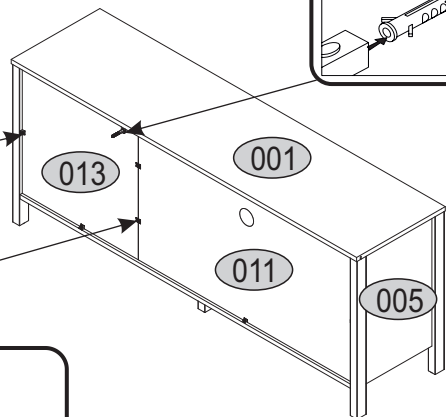
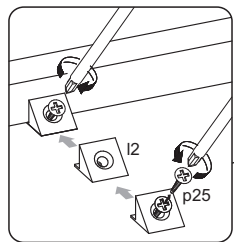
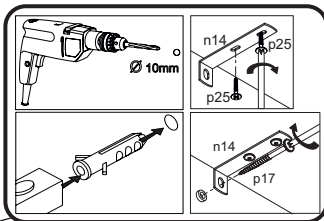


7

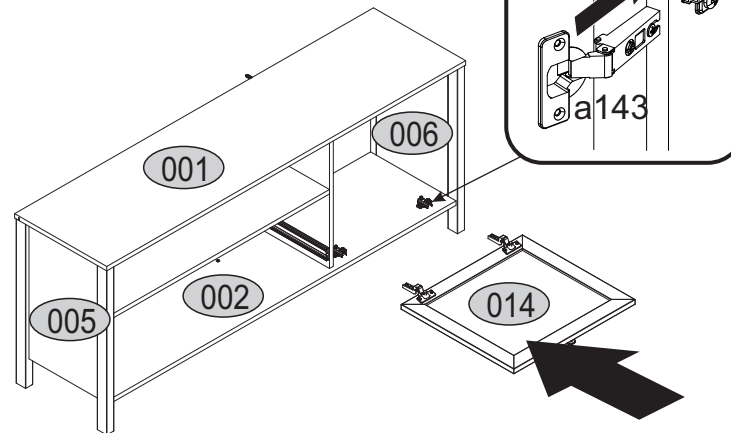
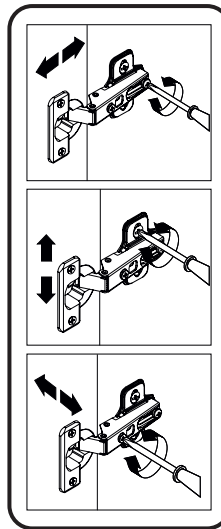


8

p25	l2	n260.01	n14	f3	p17
x10	x6	x2	x1	x1	x1

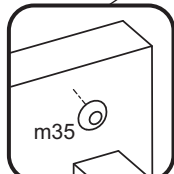
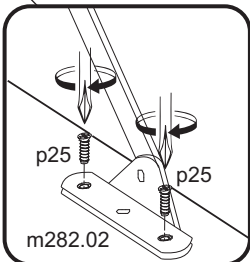
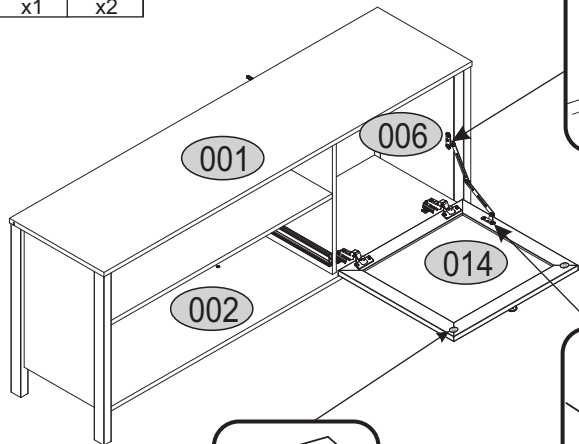
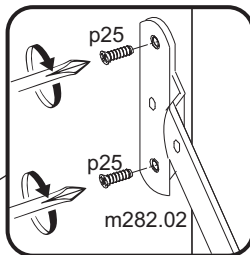


9



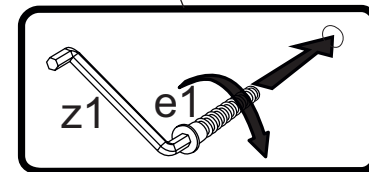
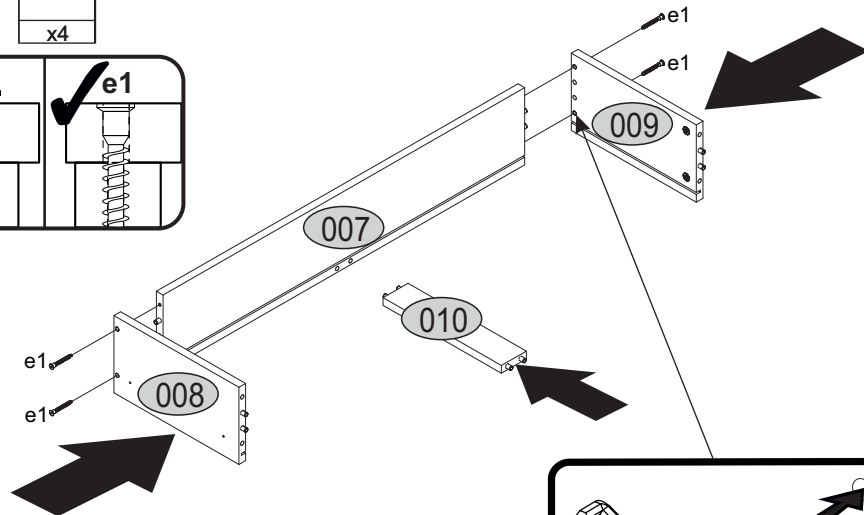
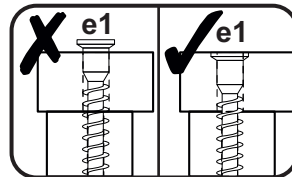
10

p25	m282.02	m35
x4	x1	x2

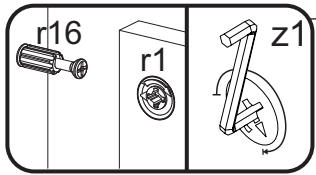
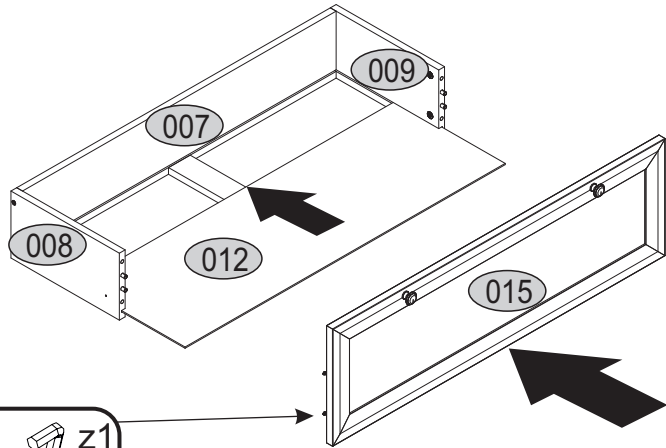


11

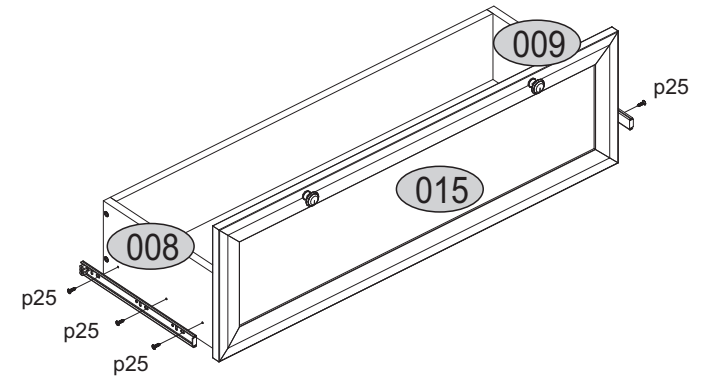
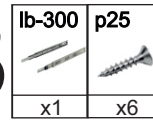
e1
x4



12



13



14

