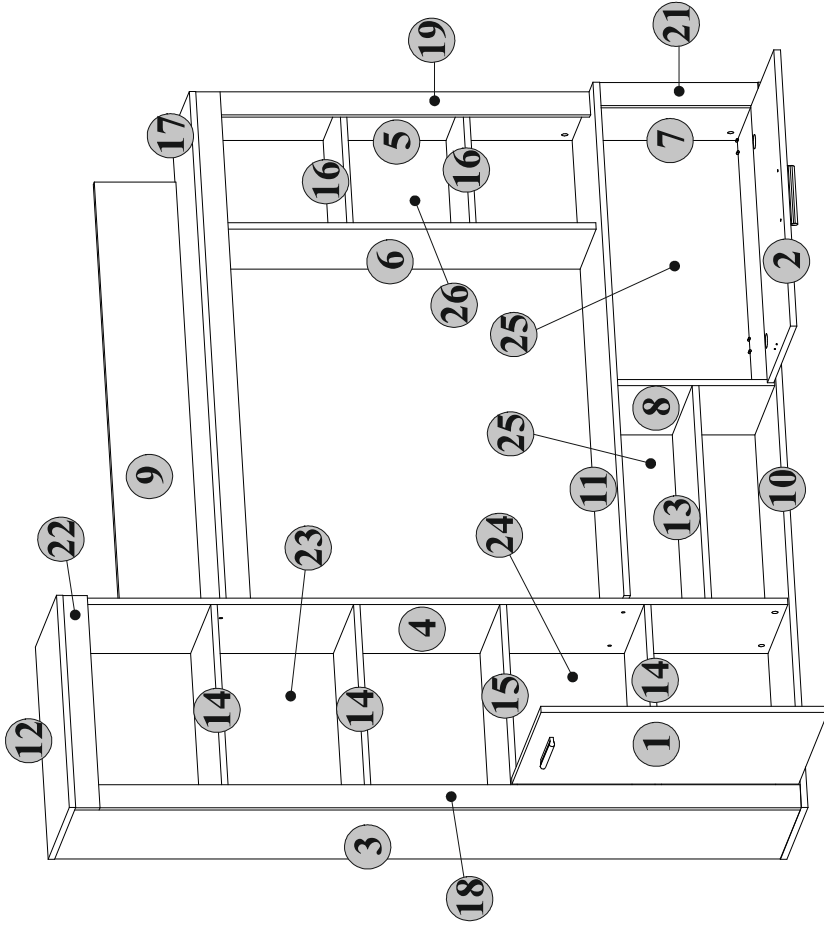
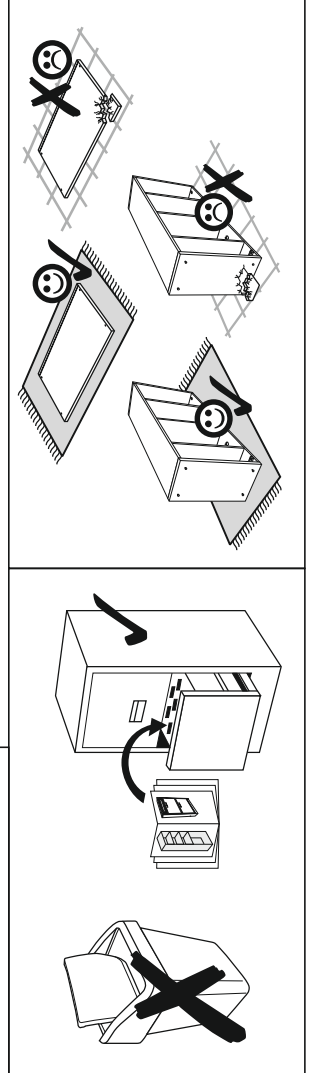
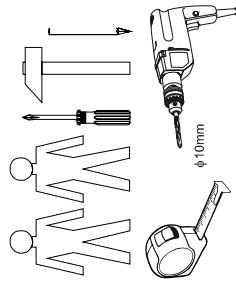
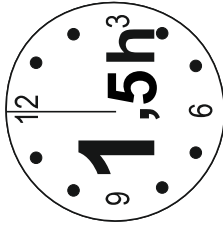
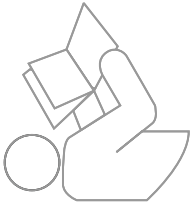


Instalation manual

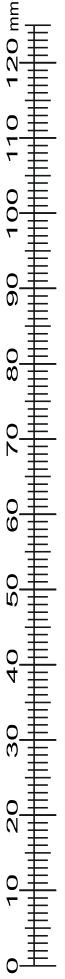
Model name: **BADAN**

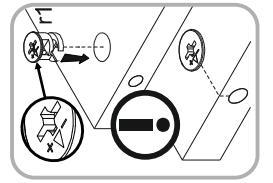
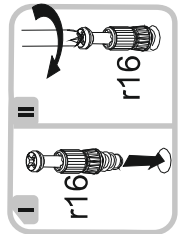
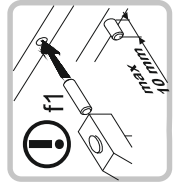
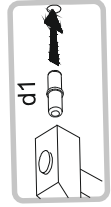
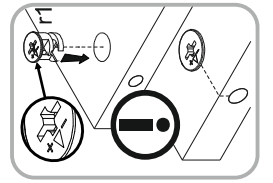
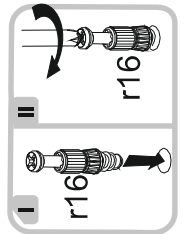
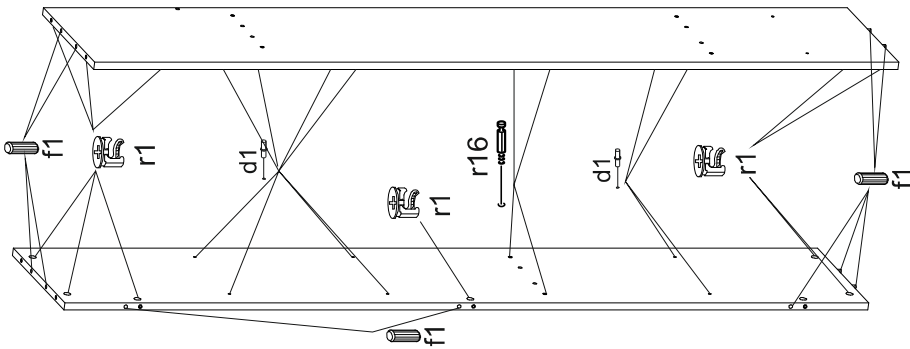
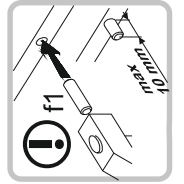
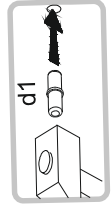
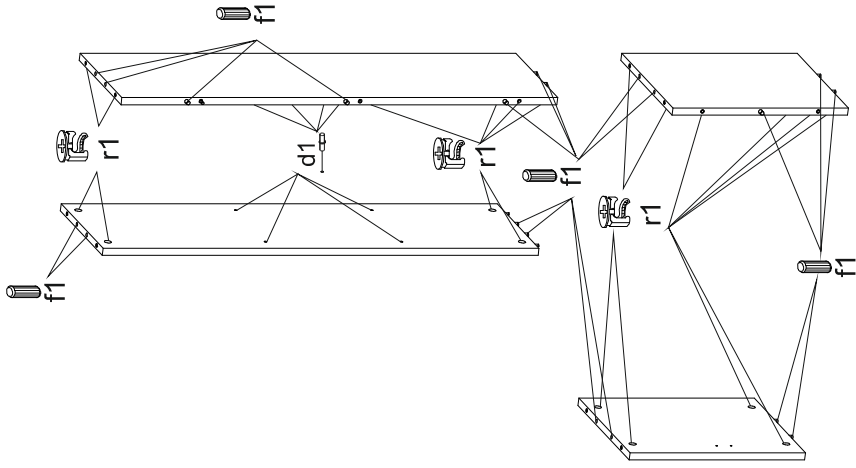
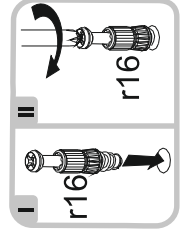
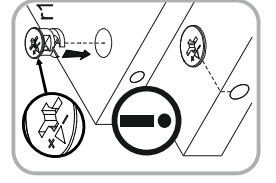
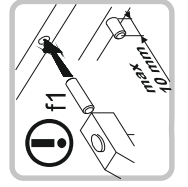
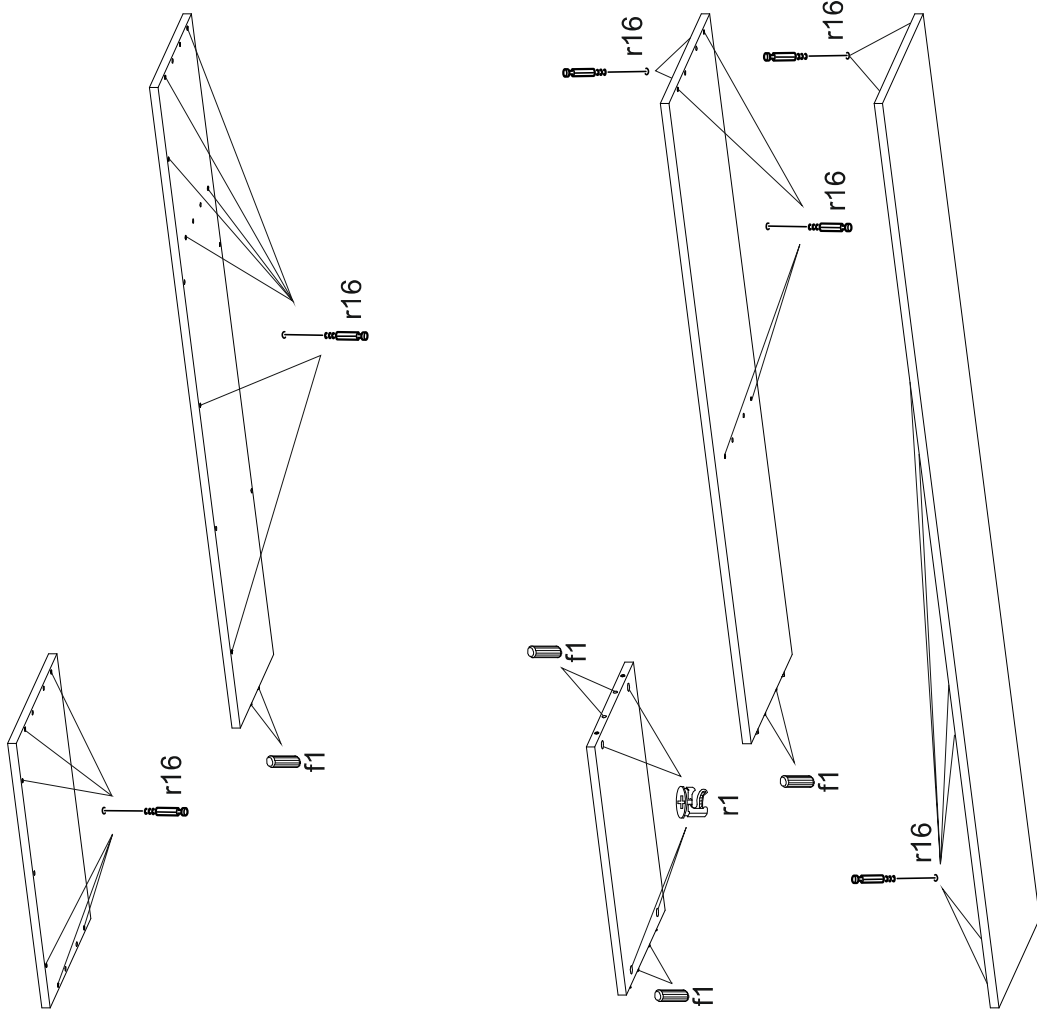


Element symbol	Dimensions	Code	Package
1	702x483	B-001	2/3
2	382x716	B-002	2/3
3	1778x332	B-101	1/3
4	1778x332	B-102	1/3
5	964x270	B-103	2/3
6	964x270	B-104	2/3
7	388x332	B-105	2/3
8	388x332	B-106	2/3
9	200x1200	B-107	1/3
10	1880x350	B-201	1/3
11	1331x350	B-202	1/3
12	550x350	B-204	1/3
13	551x332	B-302	2/3
14	516x332	B-303	2/3
15	516x332	B-303	2/3
16	516x332	B-304	2/3
17	317x270	B-305	1/3
18	1331x288	B-306	1/3
19	1718x60	B-406	1/3
20	904x60	B-407	1/3
21	388x60	B-408	1/3
22	1331x60	B-409	1/3
23	550x60	B-410	1/3
24	1093x542	B-601	2/3
25	711x537	B-602	2/3
26	414x567	B-603	2/3
27	409x768	B-604	2/3
28	343x985	B-605	2/3

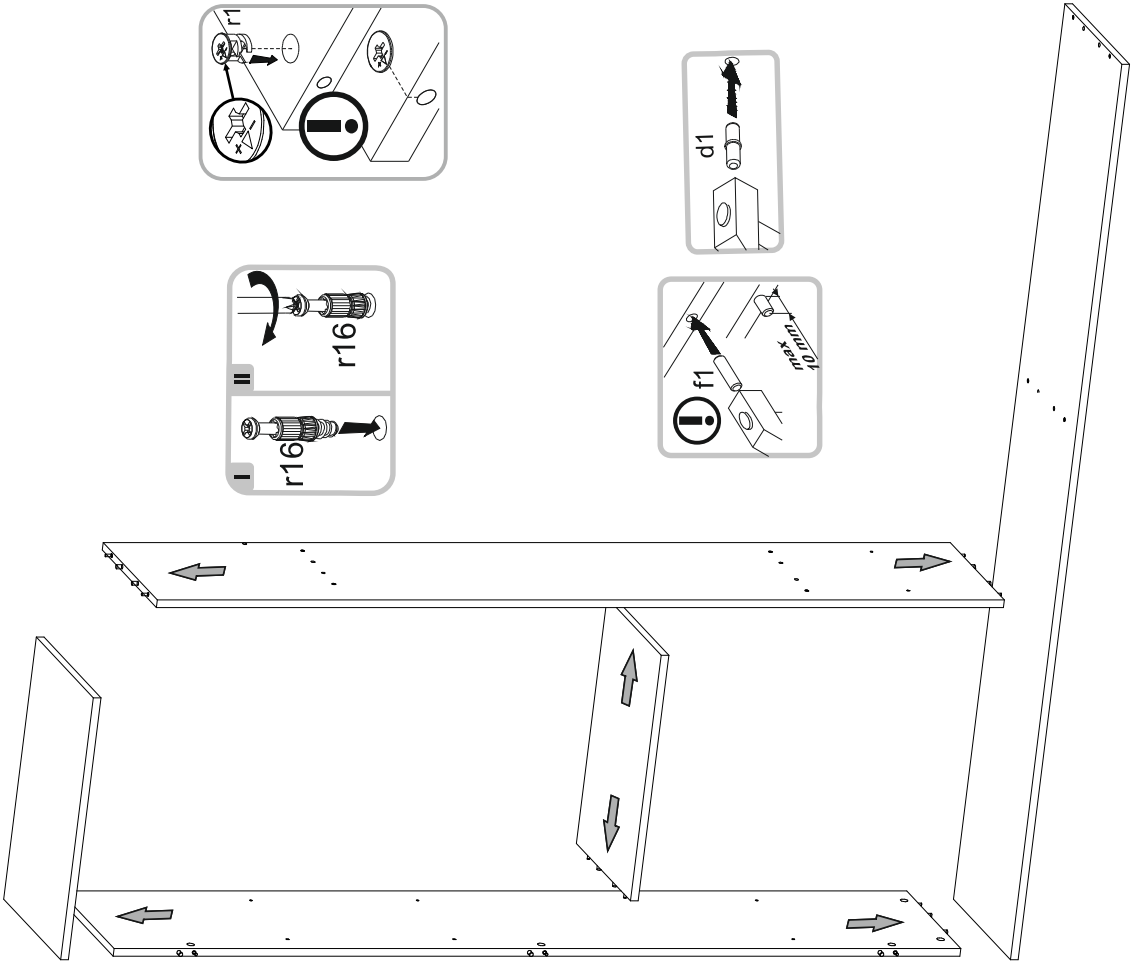
1880x1790x350mm

2x	a111	2x	a143	2x	b104	2x	b119	2x	c235	24x	d1	6x	e1	1x	n282.02	42x	s2
4x	φ6.3x12 mm	46x	φ8x30 mm	2x	f3	50x	f1	6x	n311.05	2x	n14	42x	r16	42x	r1	6x	s1
4x	φ4x30 mm	2x	φ5x60 mm	12x	φ4x18 mm	18x	φ3.5x16 mm	1x	p25	42x	φ1.5x12mm #16	42x	r1	42x	r16	42x	s2

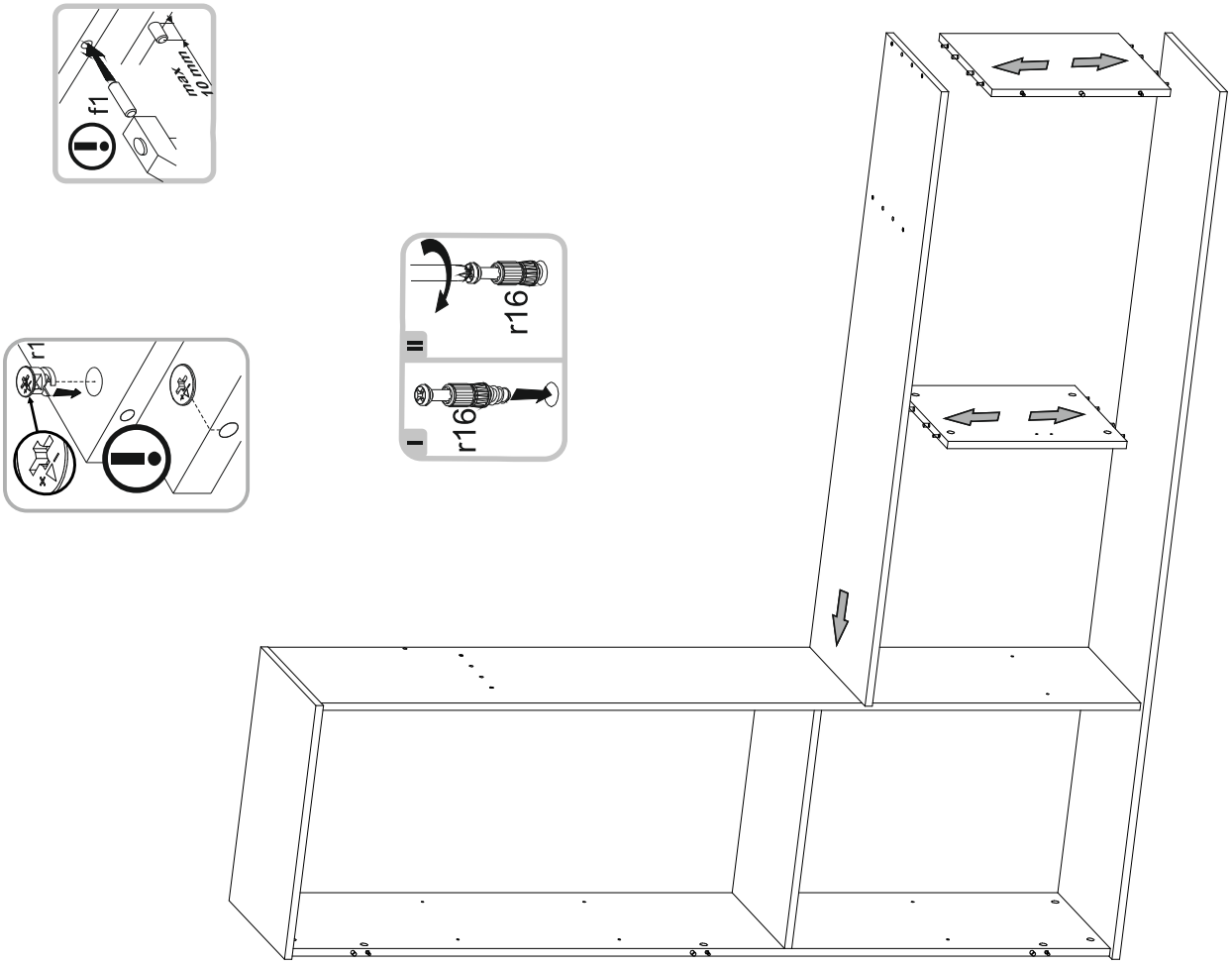




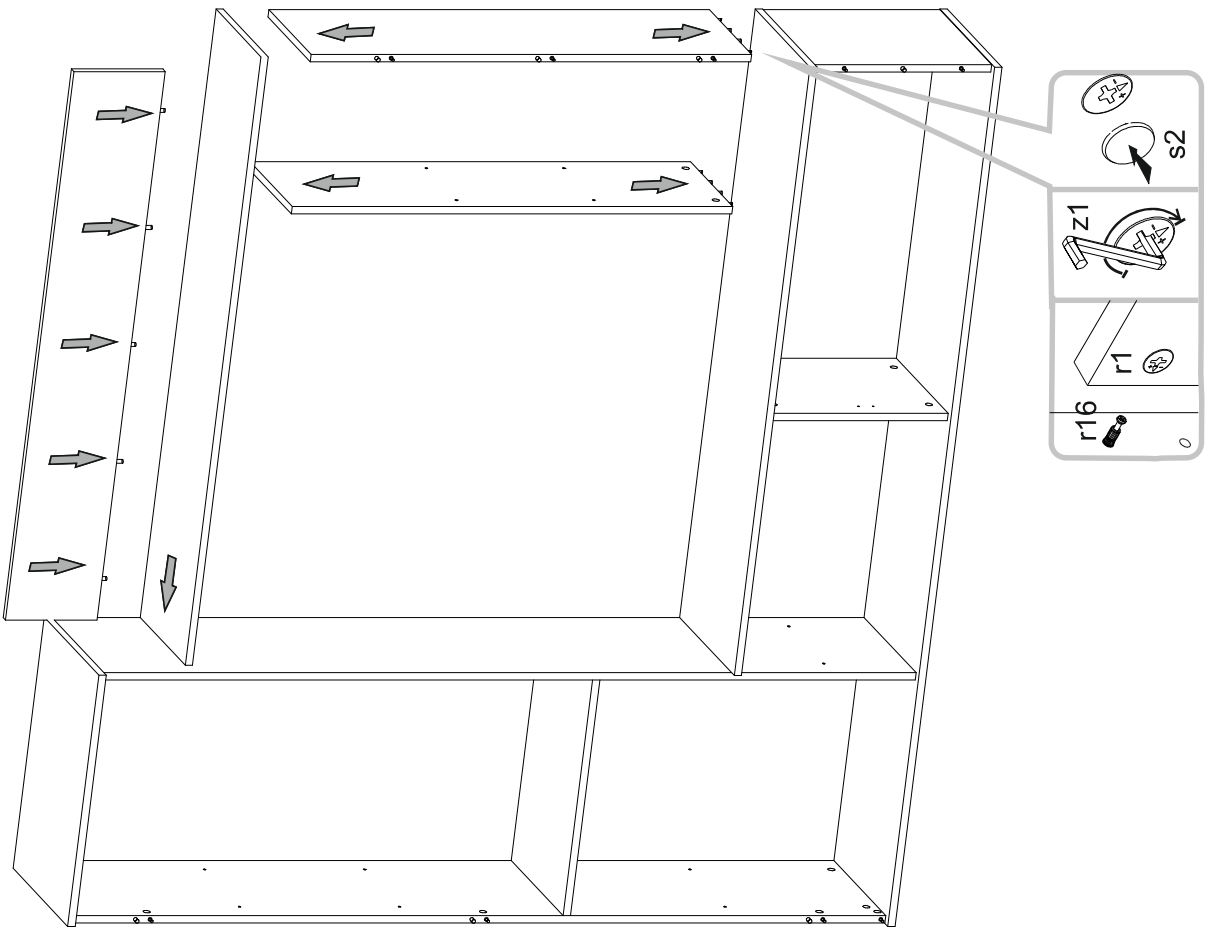
1



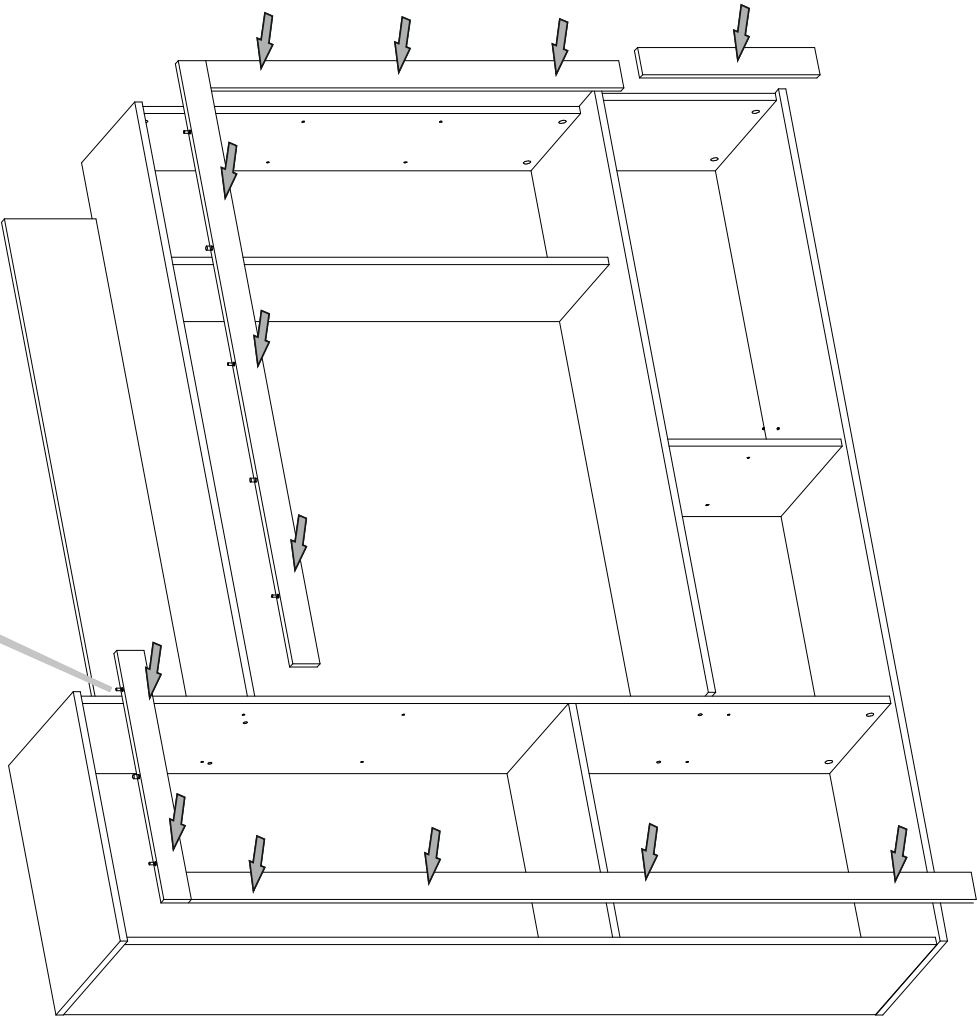
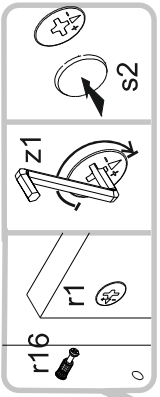
2



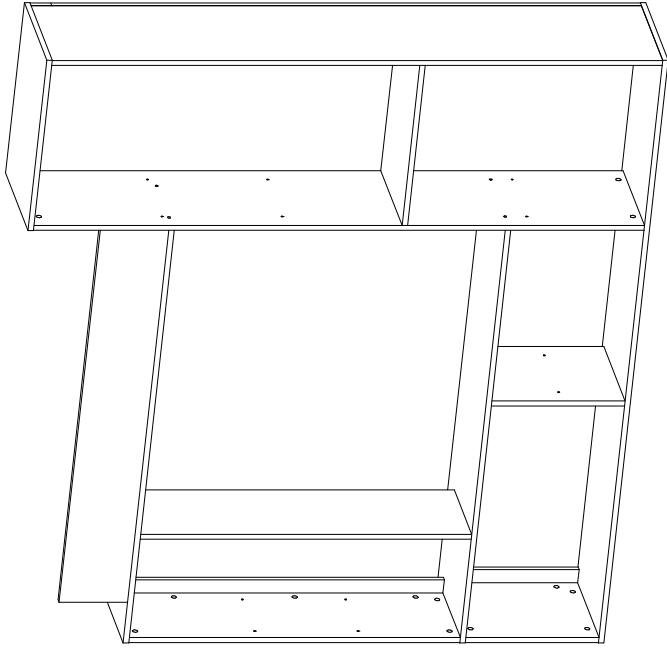
3



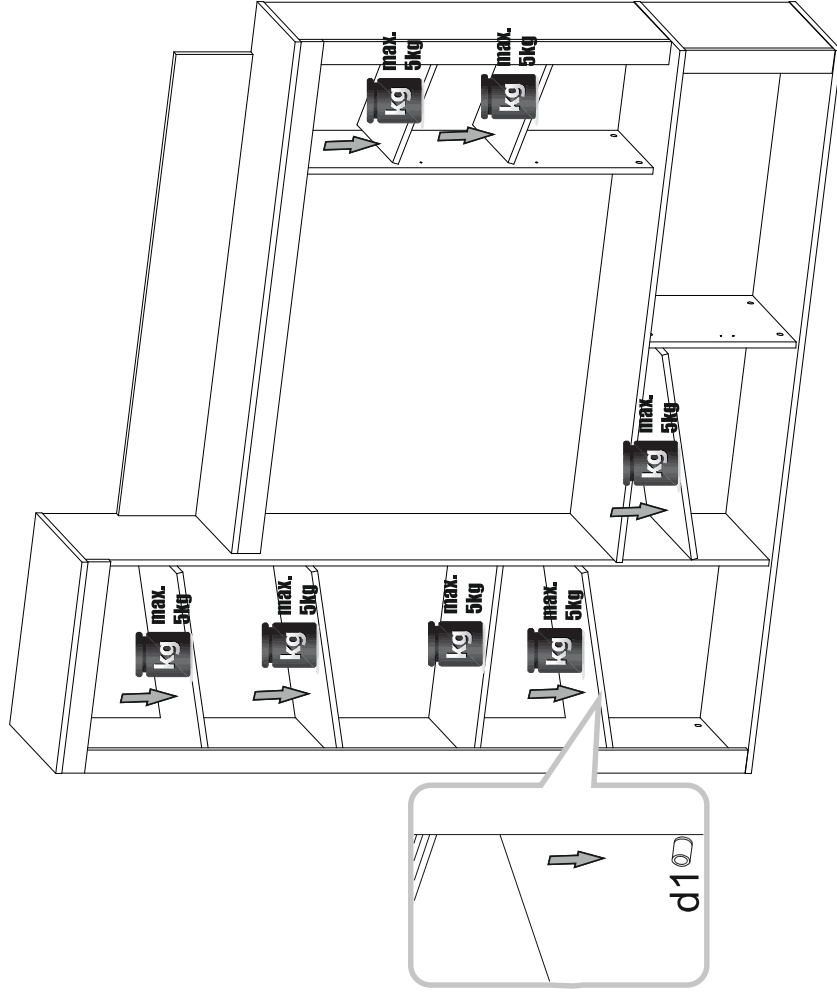
4



5



7



6

