

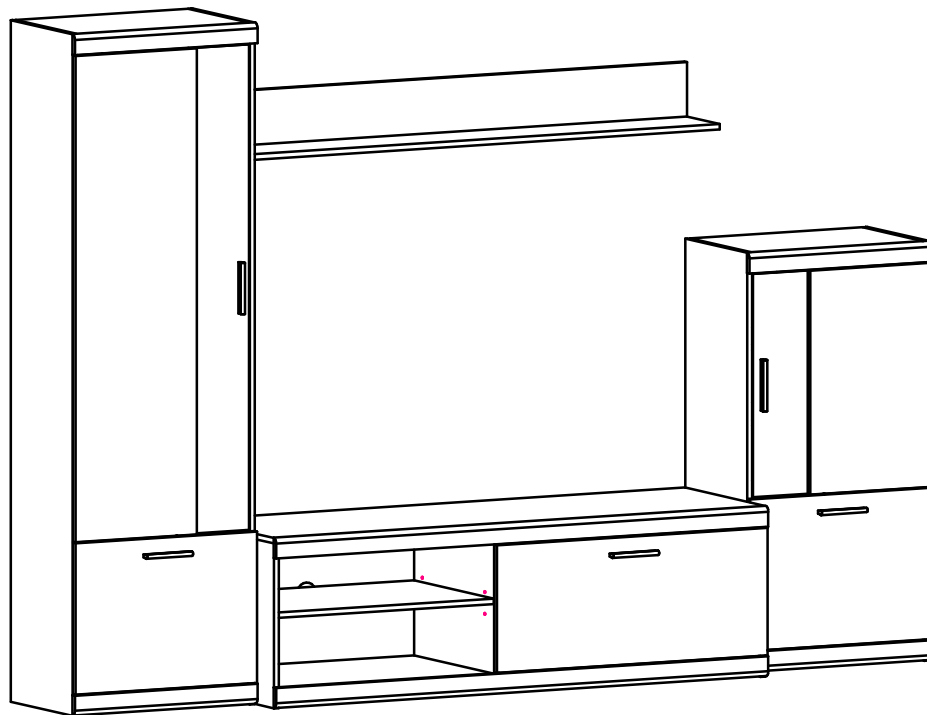


# Instalation manual

NAME: MARTA

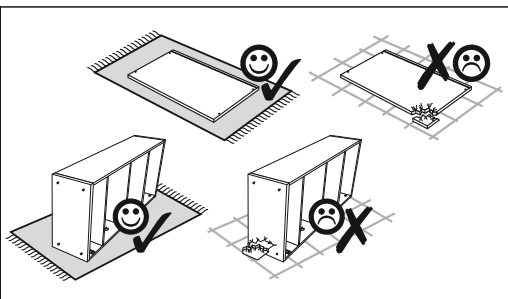
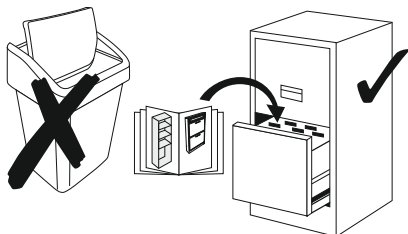
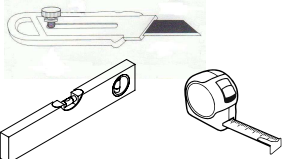
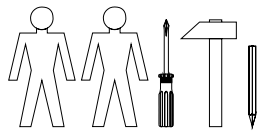


2000 mm



516 mm

2830 mm



4x  $\phi 3,5 \times 16$  mm **p38**

9x **a144**

2x **k2**

7x  $\phi 7 \times 50$  mm **e1**

2x **g2**

4x  $\phi 5 \times 9$  mm **e19**

2x  $30 \times 45 \times 10 / 1,5$  mm **n22**

2x **s1**

6x  $3,5 \times 30$  mm **p9**

38x **r16**

180x **l1**

16x  $\phi 4 \times 20$  mm **p39**

3x  $\phi 4 \times 50$  mm **p12**

1x **z1**

1x **m282.02**

2x **a143**

38x  $\phi 16$  **s2**

70x  $\phi 3,5 \times 16$  mm **p25**

5x **c235**

38x  $\phi 15 \times 12$  mm  $\phi 16$  **r1**

24x  $\phi 5 \times 17$  mm **d1**

3x  $\phi 8 \times 40$  mm **f28**

11x **b119**

46x  $\phi 8 \times 30$  mm **f1**

1x **n14**

12x **o1**

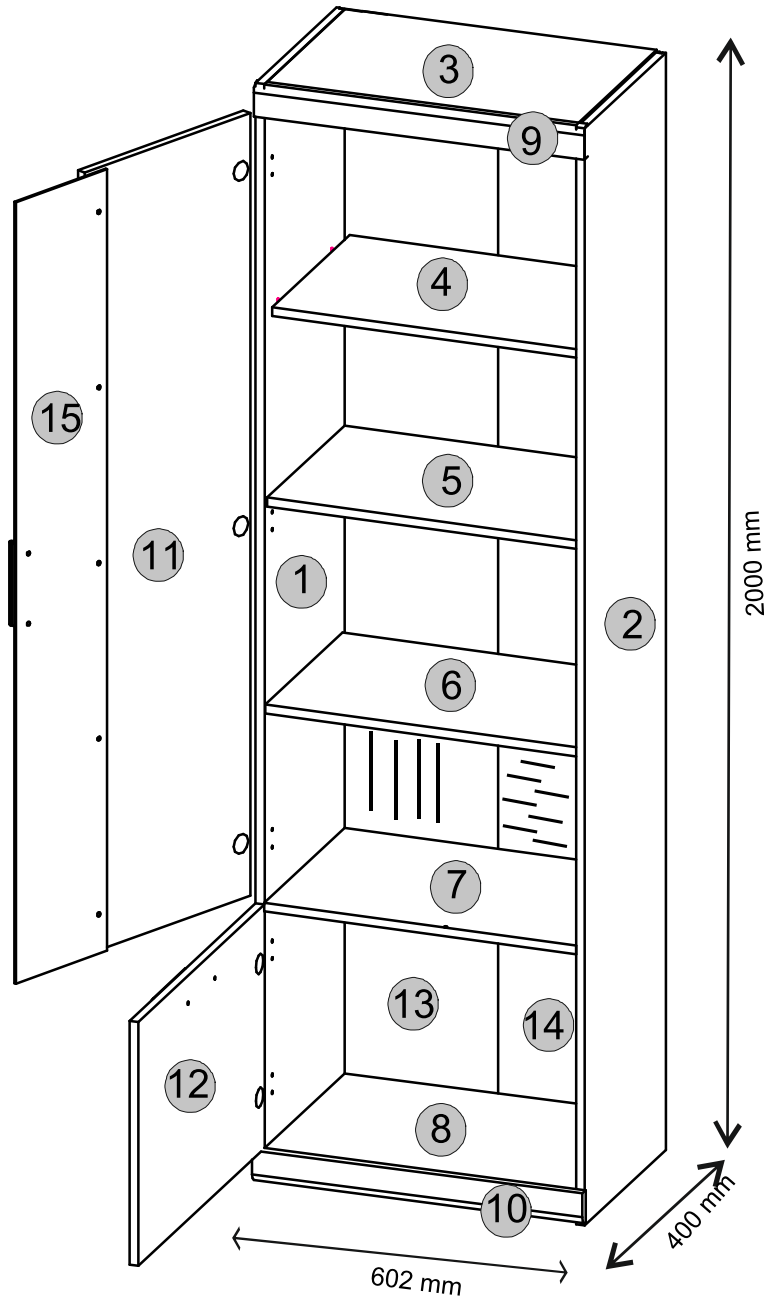
20x **n221.01**

12x **k1**

2x  $\phi 6 \times 13$  mm **e3**

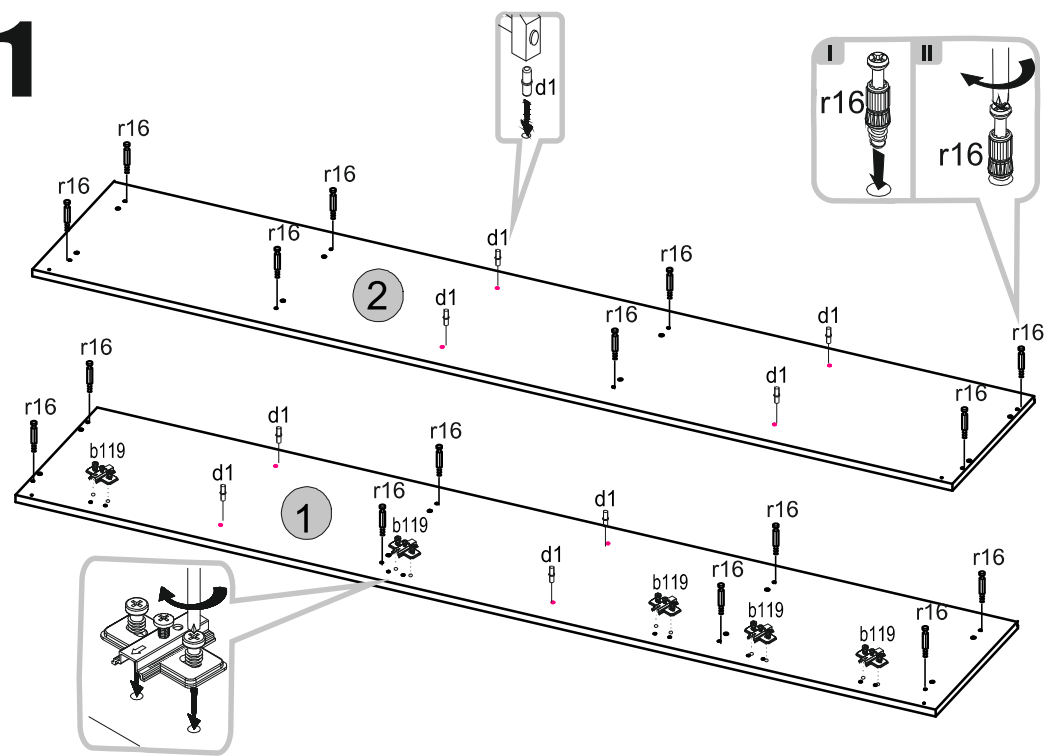


NAME: WIT\_WYS\_1W1D

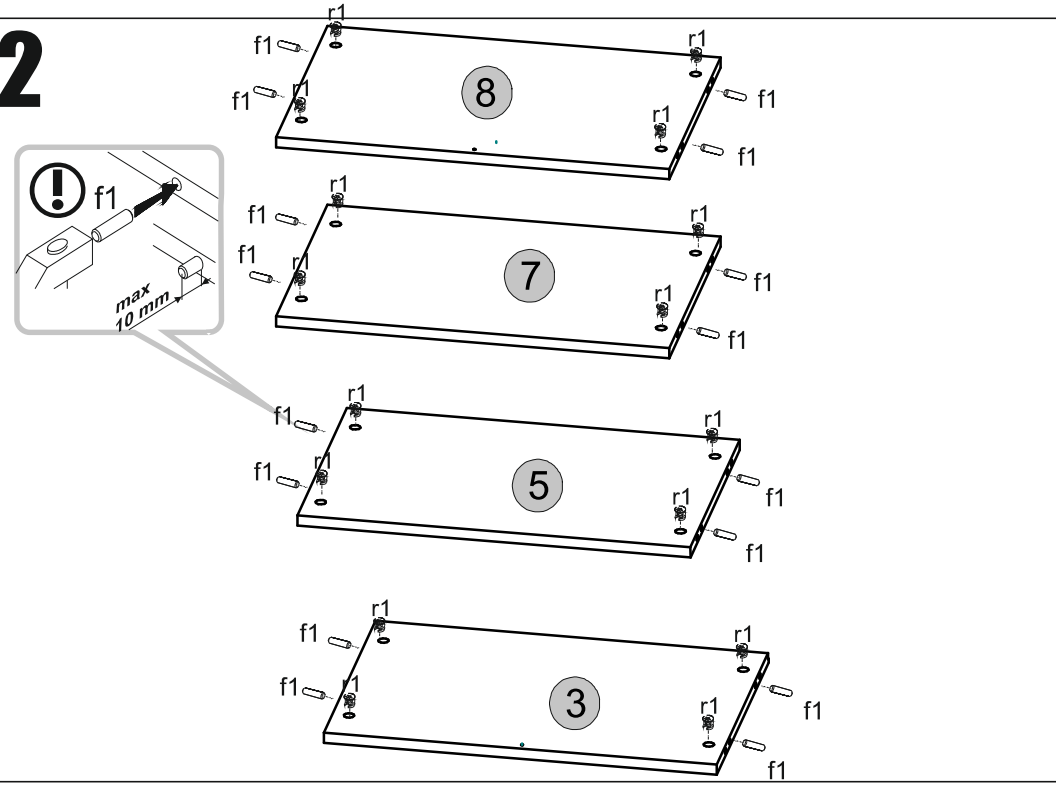


Element symbol	Dimensions			Code	Package
1	1999	384	16	1 WIT_WYS_1W1D.006	1/6
2	1999	384	16	1 WIT_WYS_1W1D.007	1/6
3	568	384	16	1 WIT_WYS_1W1D.008	2/6
4	568	367	16	1 WIT_WYS_1W1D.013	1/6
5	568	367	16	1 WIT_WYS_1W1D.012	1/6
6	568	367	16	1 WIT_WYS_1W1D.013	1/6
7	568	381	16	1 WIT_WYS_1W1D.011	3/6
8	568	381	16	1 WIT_WYS_1W1D.005	1/6
9	602	60	16	1 WIT_WYS_1W1D.014	1/6
10	602	60	16	1 WIT_WYS_1W1D.014	1/6
11	400	1426	16	1 WIT_WYS_1W1D.009	4/6
12	598	444	16	1 WIT_WYS_1W1D.002	3/6
13	1948	293	16	1 WIT_WYS_1W1D.002	1/6
14	1948	293	16	1 WIT_WYS_1W1D.002	1/6
15	1424	220	4	1 WIT_WYS_1W1D.015	6/6

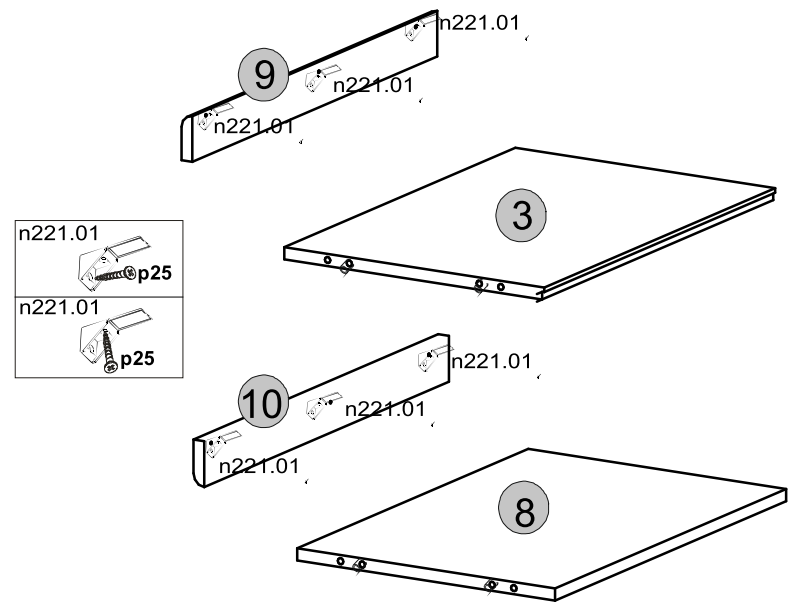
# 1



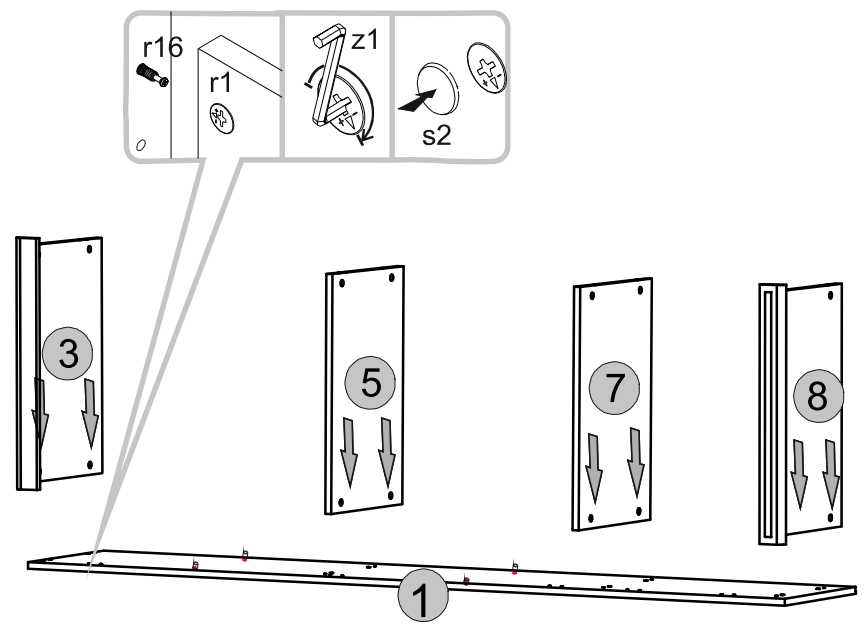
# 2



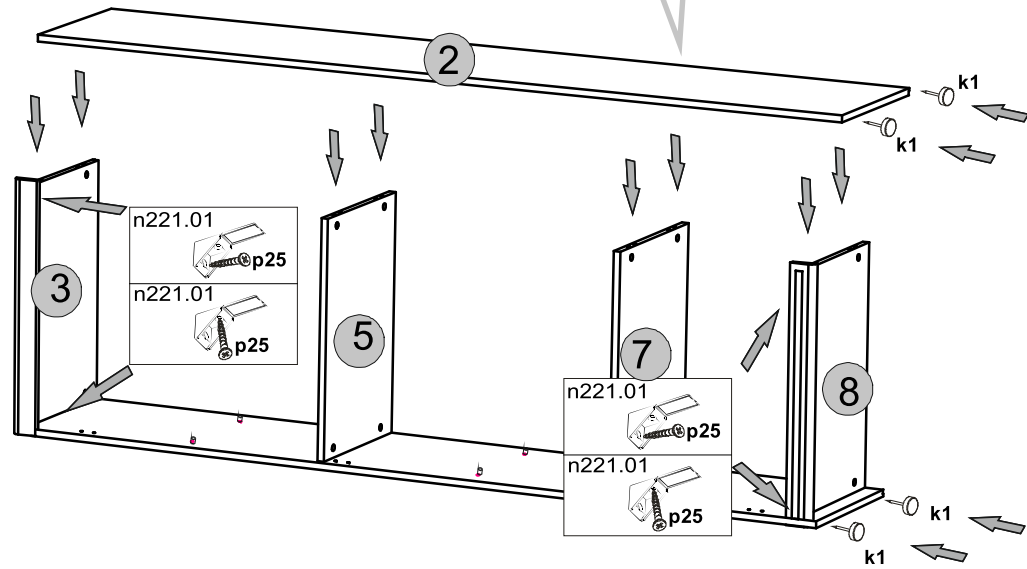
# 3



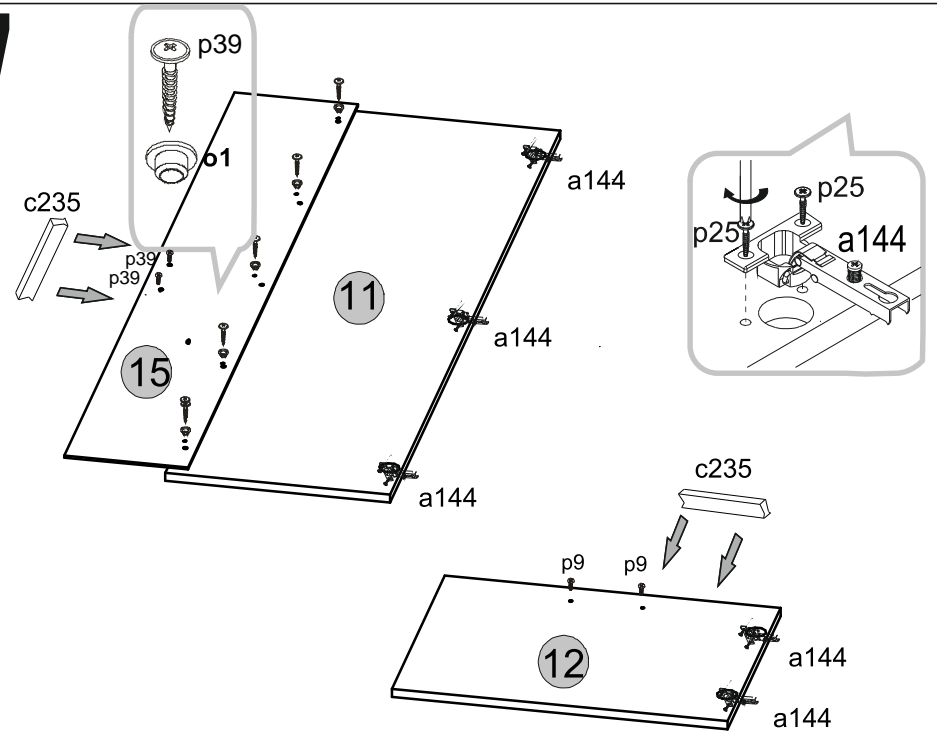
# 4



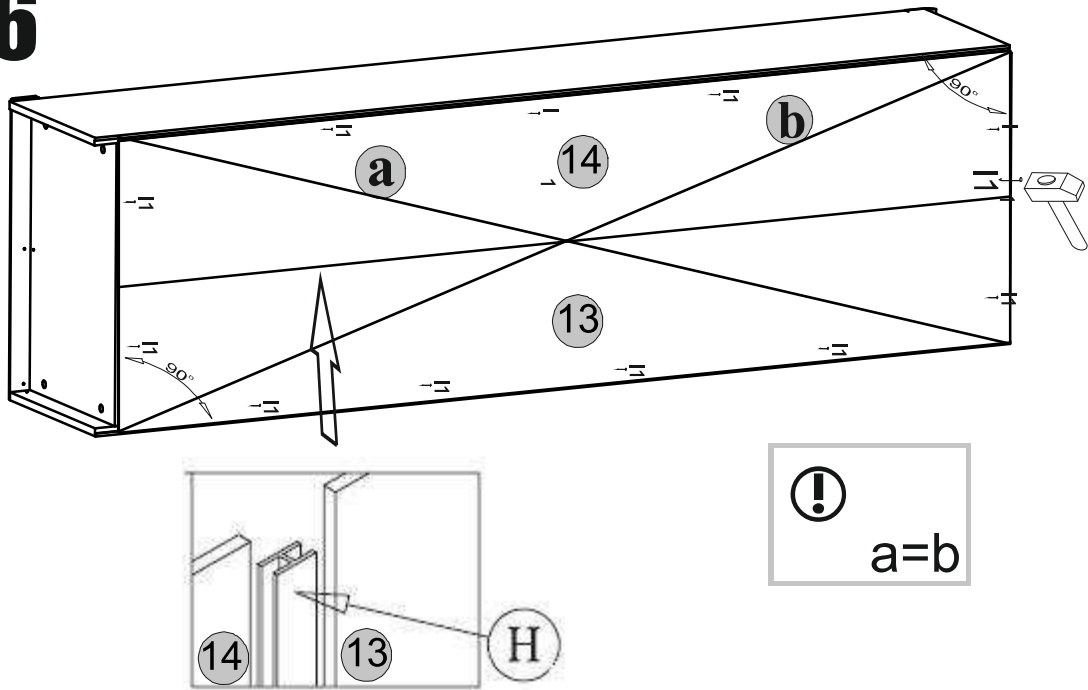
5



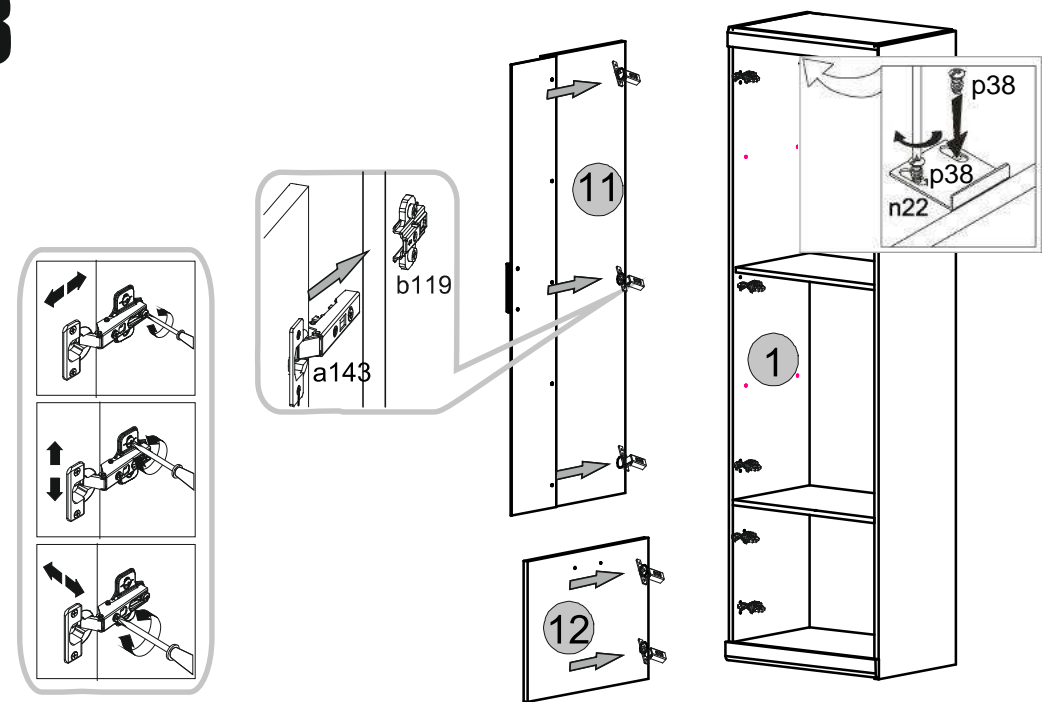
7

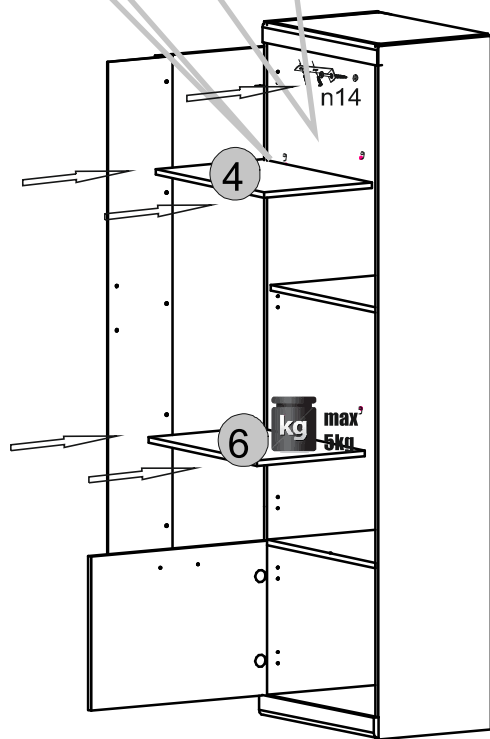
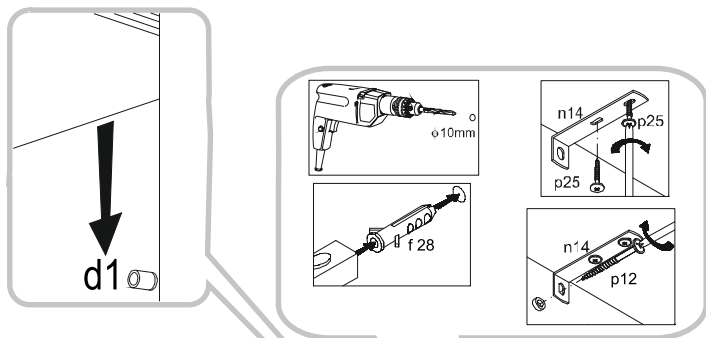


6

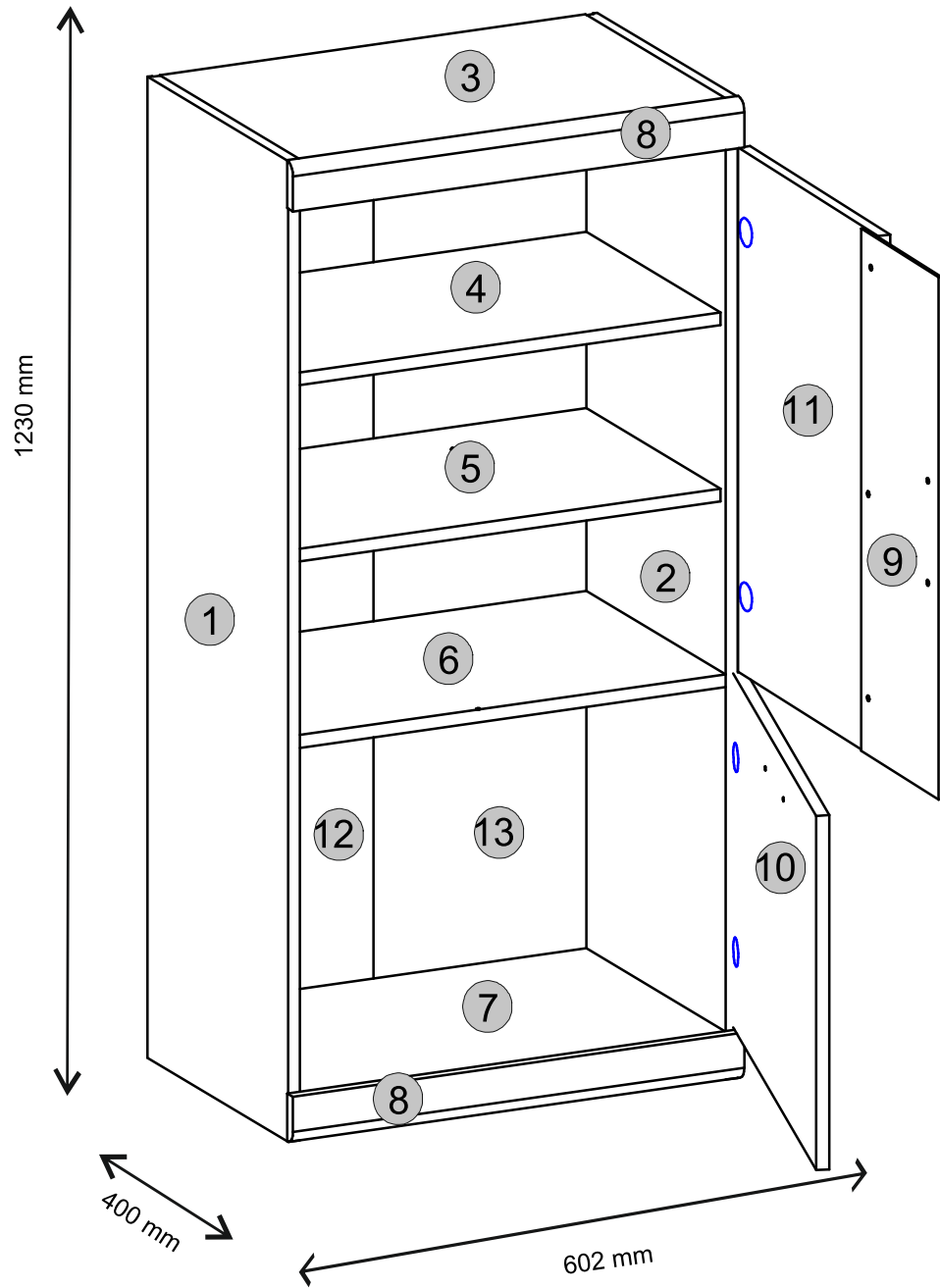


8



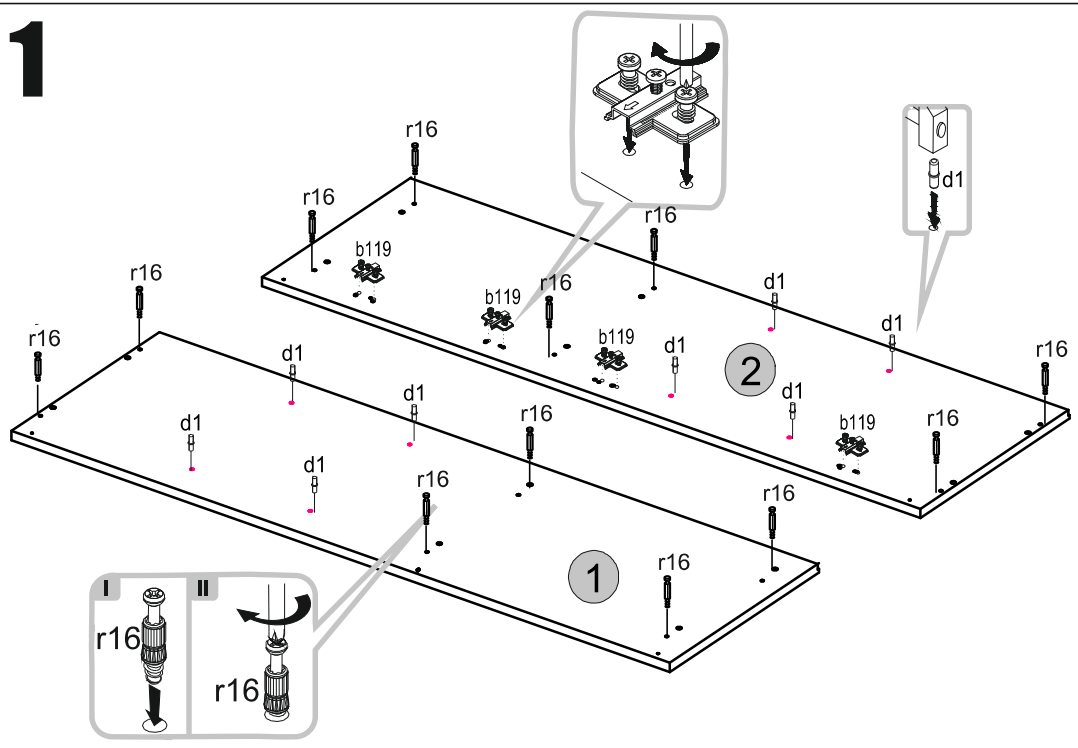


NAME: WIT\_1W1D

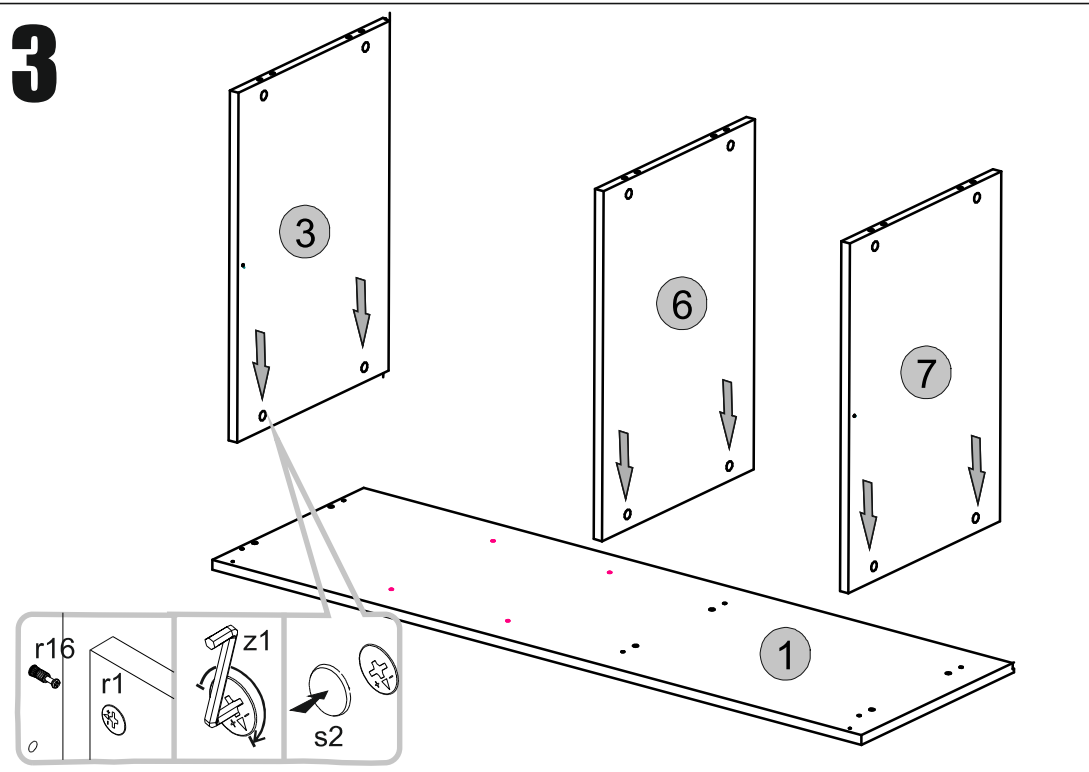


Element symbol	Dimensions				Code	Package
1	1214	384	16	1	WIT_1W1D.002	2/6
2	1214	384	16	1	WIT_1W1D.001	2/6
3	568	381	16	1	WIT_1W1D.006	1/6
4	568	367	16	1	WIT_1W1D.008	2/6
5	568	367	16	1	WIT_1W1D.008	2/6
6	568	381	16	1	WIT_1W1D.007	1/6
7	602	384	16	1	WIT_1W1D.005	2/6
8	602	60	16	2	WIT_1W1D.009	1/6
9	655	220	4	1	WIT_1W1D.011	6/6
10	598	444	16	1	WIT_1W1D.003	3/6
11	400	657	16	1	WIT_1W1D.004	4/6
12	1179	293	3	1	WIT_1W1D.010	2/6
13	1179	293	3	1	WIT_1W1D.010	2/6

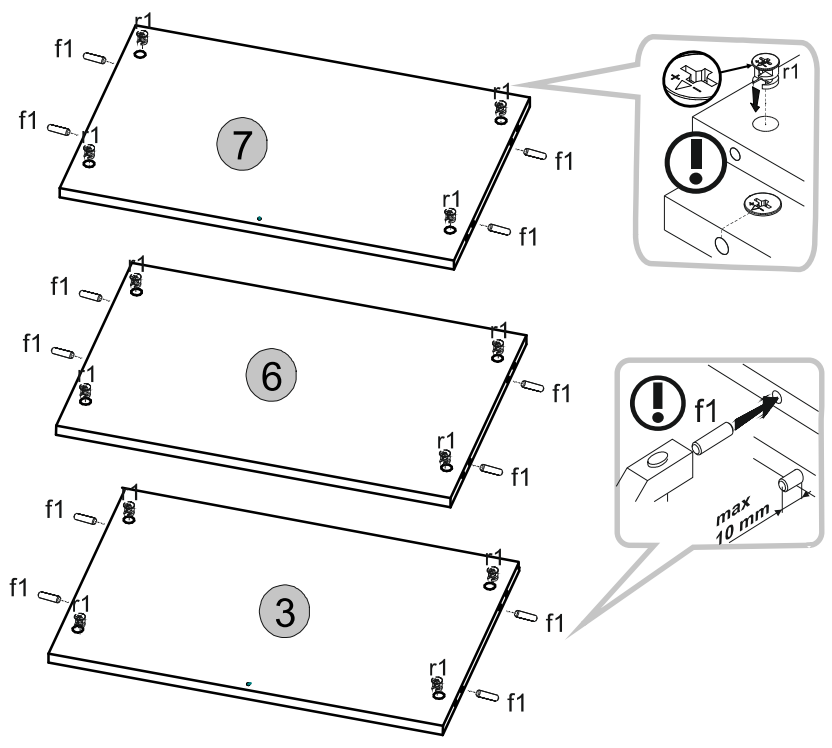
# 1



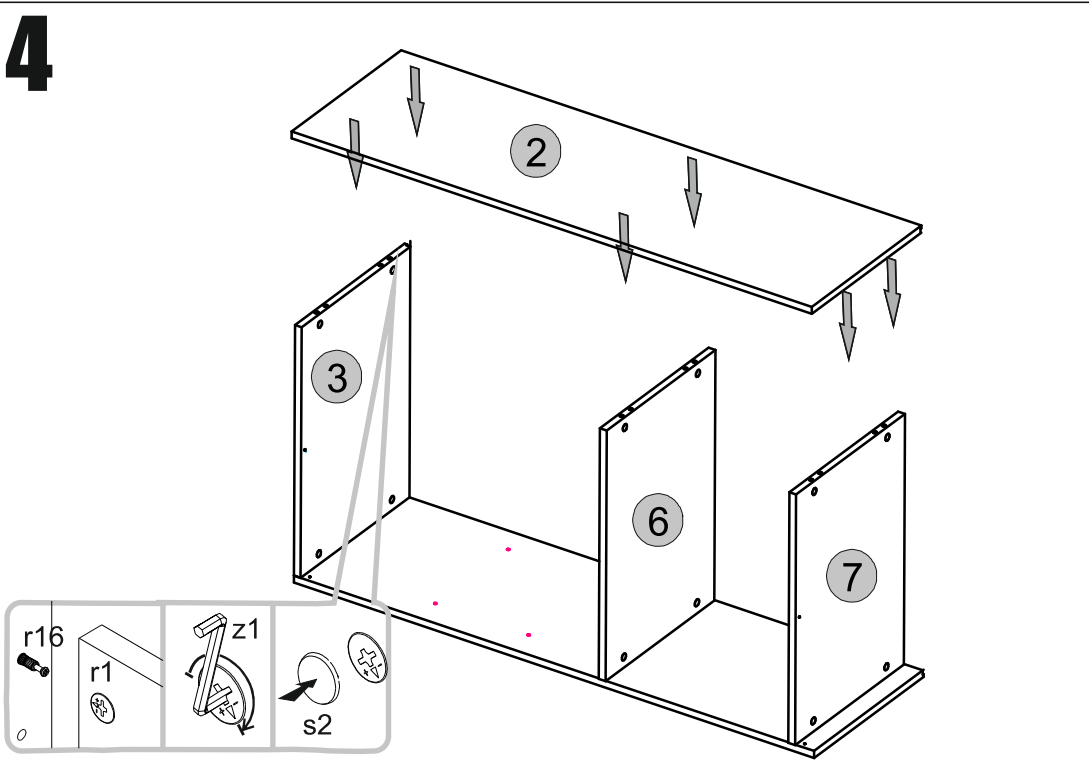
# 3



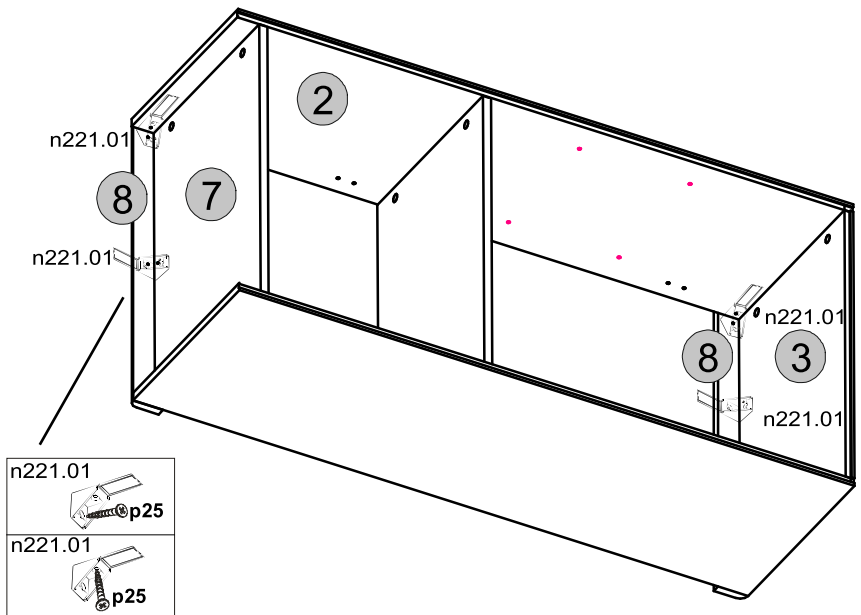
# 2



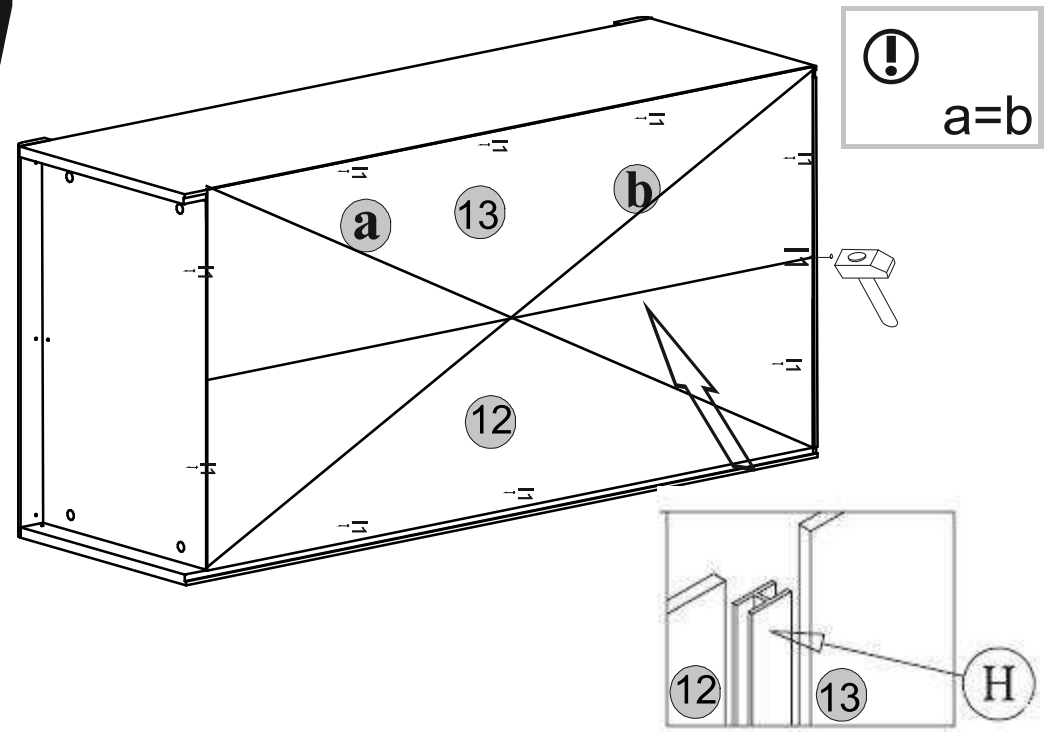
# 4



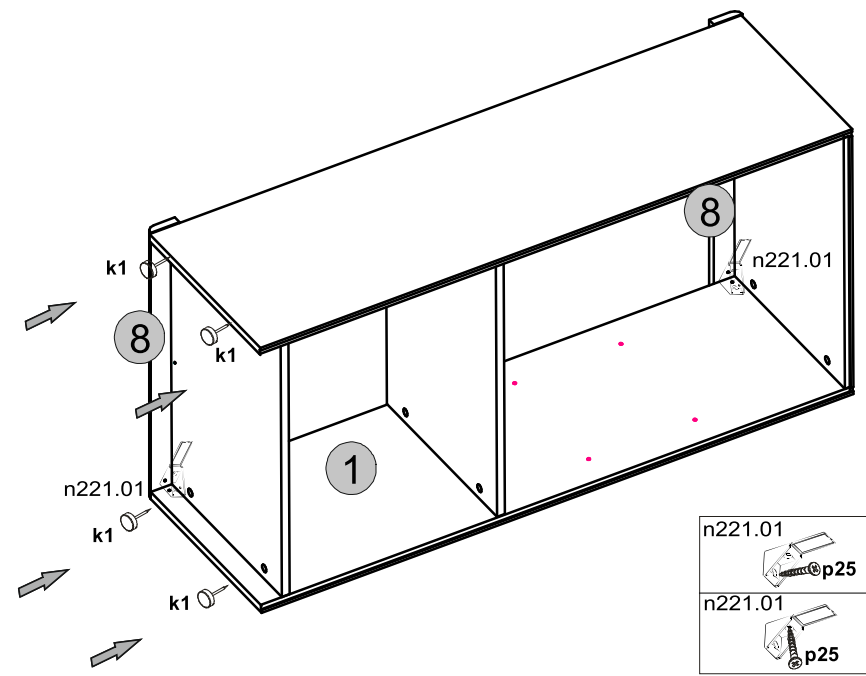
# 5



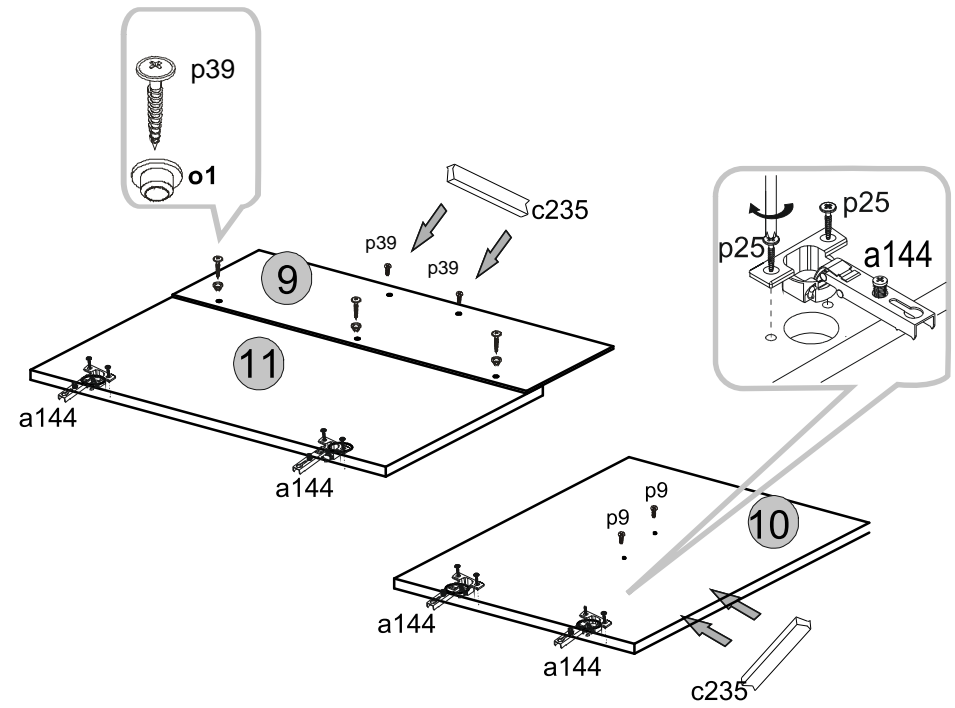
# 7



# 6

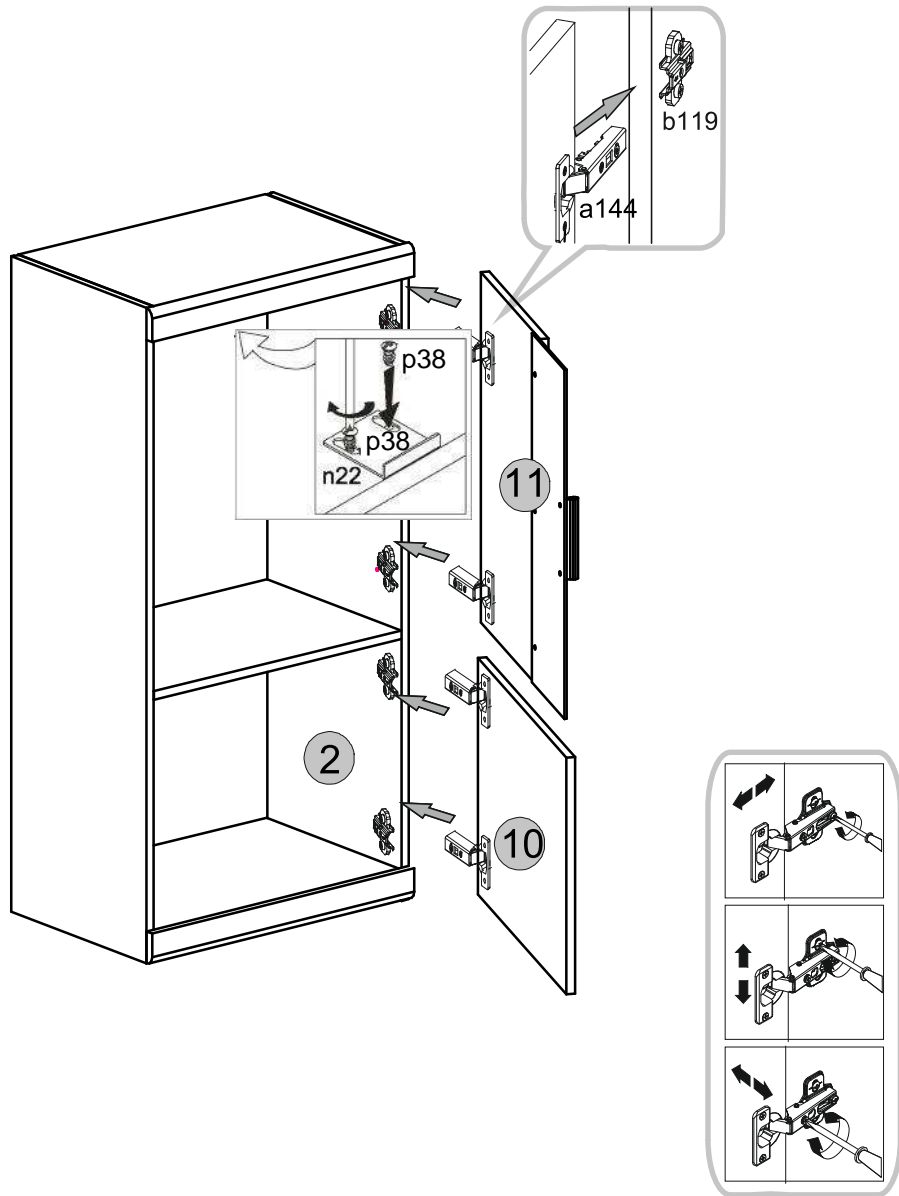


# 8

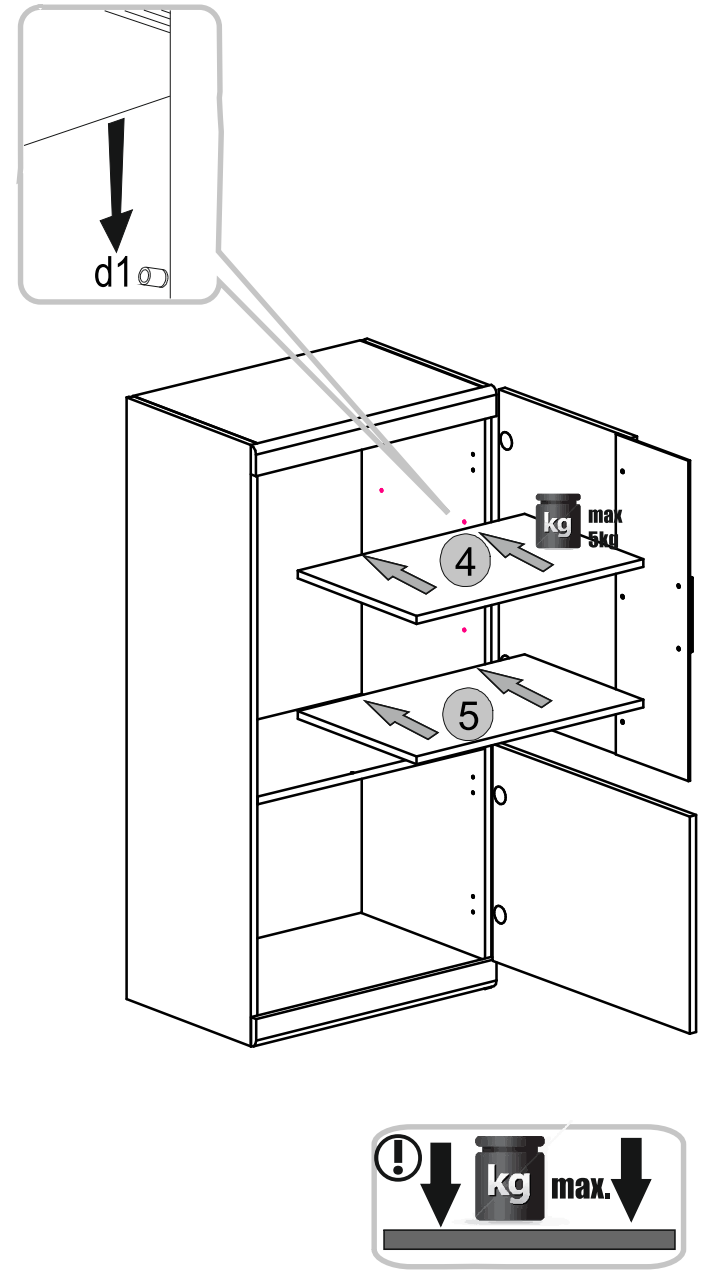




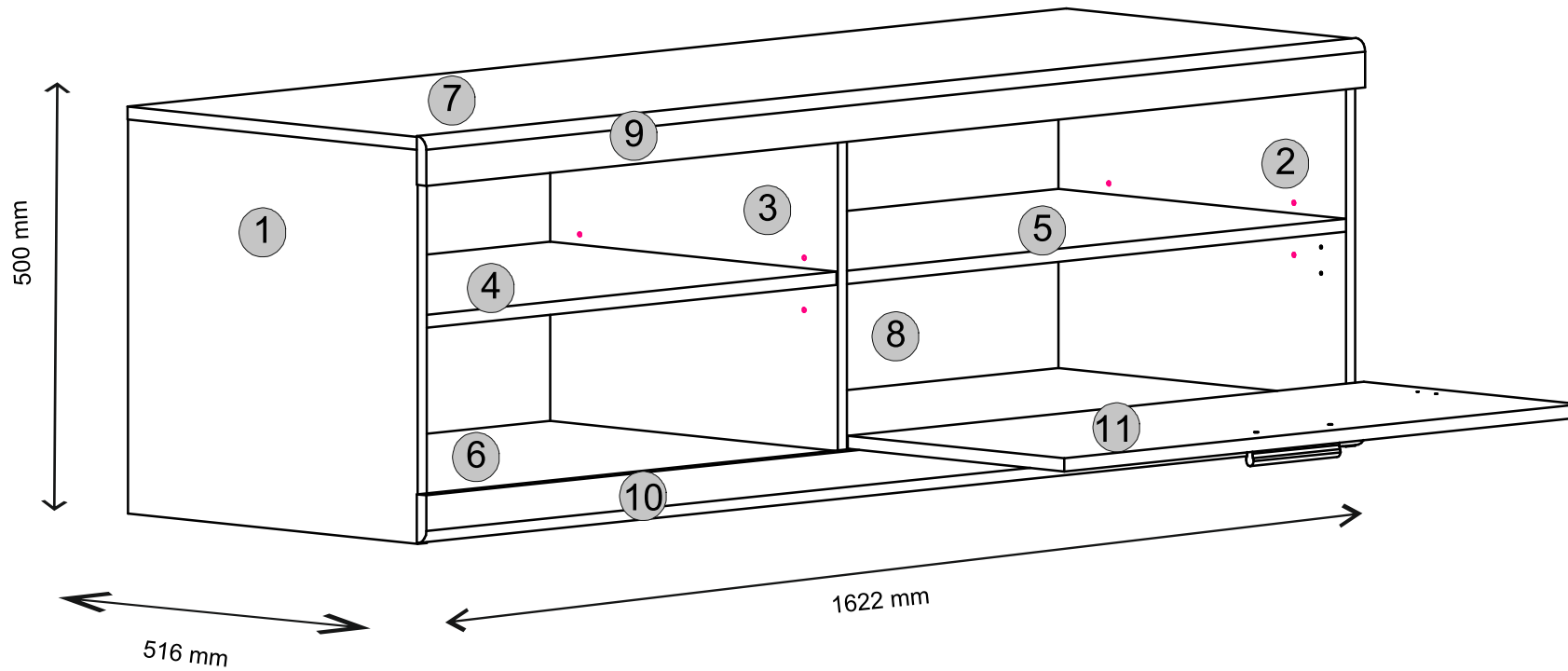
# 9



# 10

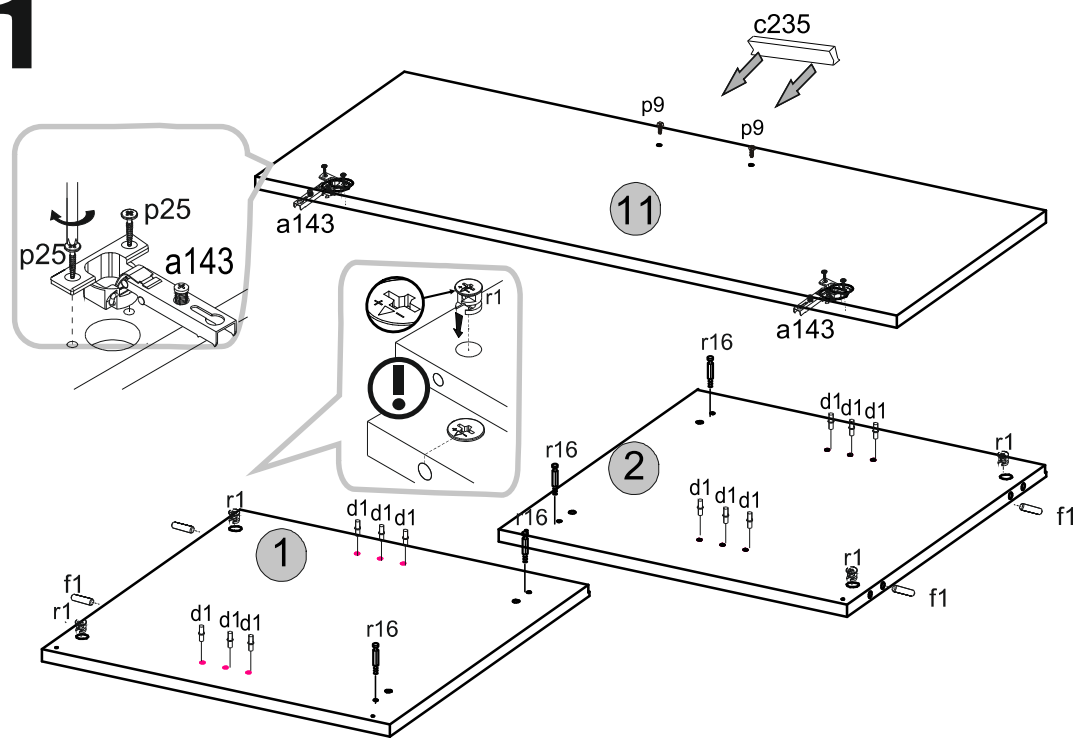


NAME: RTV

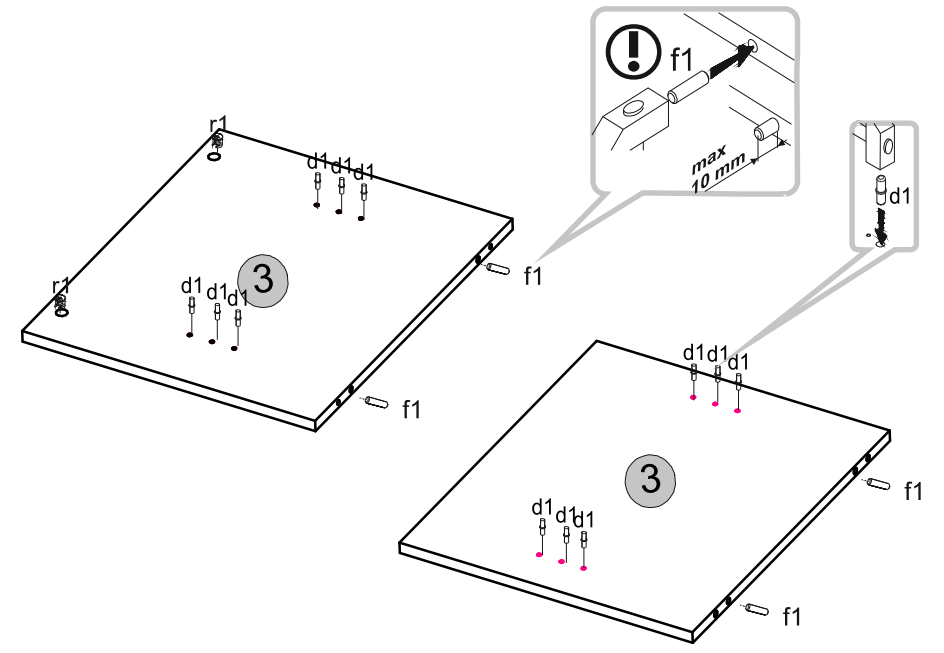


Element symbol	Dimensions				Code	Package
1	484	500	16	1	RTV.006	3/6
2	484	500	16	1	RTV.007	3/6
3	424	497	16	1	RTV.003	3/6
4	710	495	16	1	RTV.004	3/6
5	862	497	16	1	RTV.013	3/6
6	1588	497	16	1	RTV.005	3/6
7	1622	500	16	1	RTV.008	3/6
8	442	1606	3	1	RTV.002	3/6
9	1622	60	16	1	RTV.015	1/6
10	1622	60	16	1	RTV.015	1/6
11	892	374	16	1	RTV.014	4/6

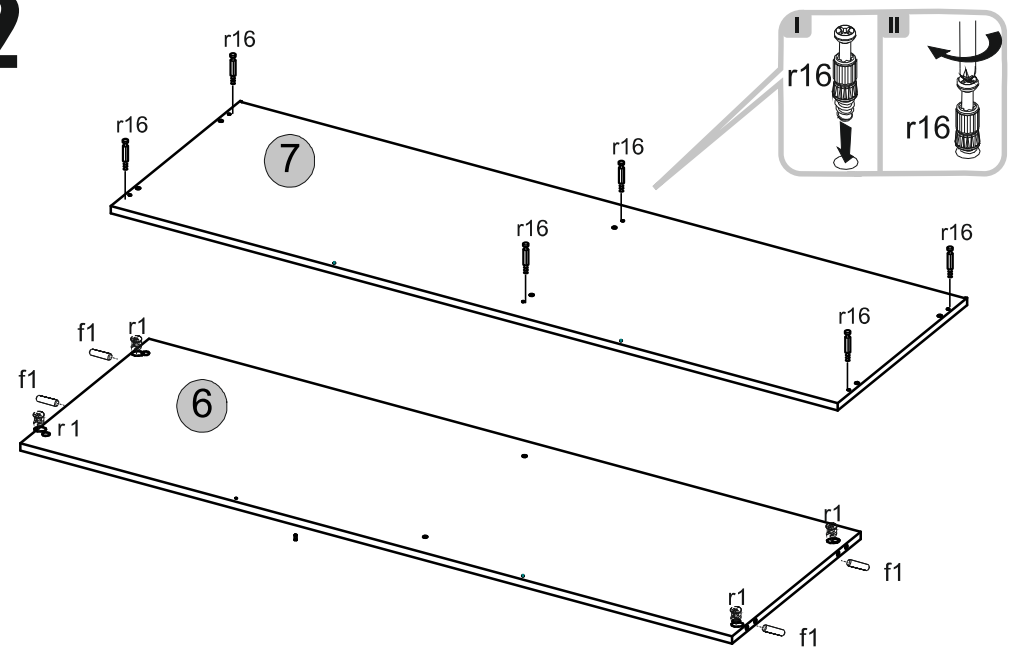
# 1



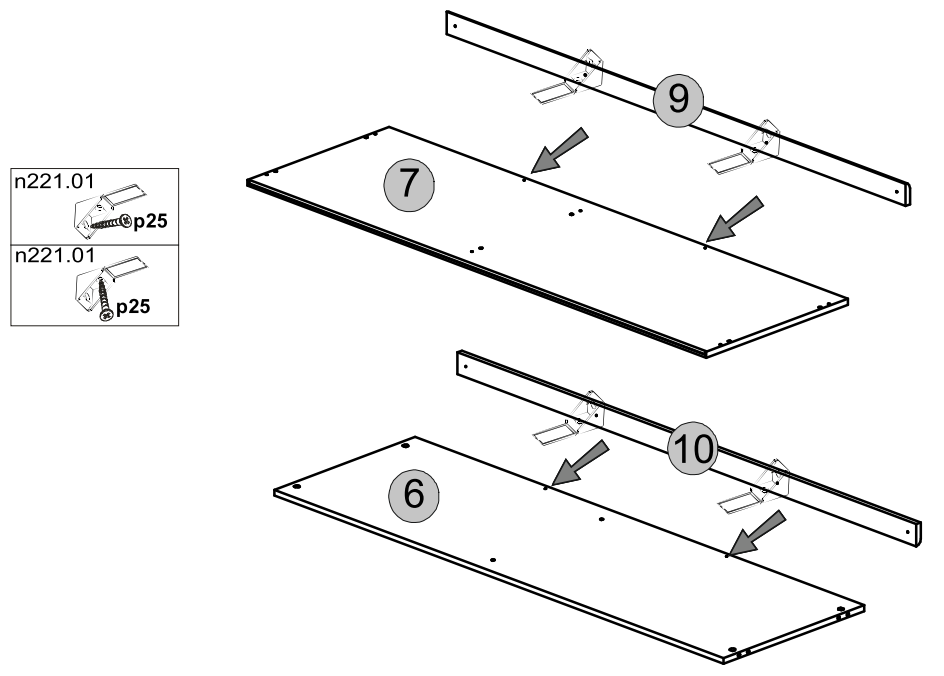
# 3



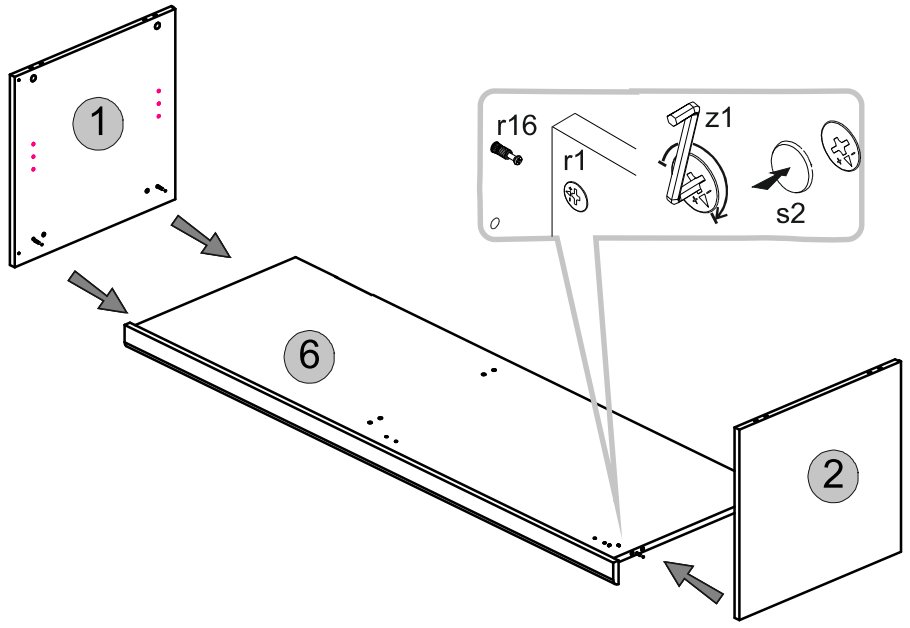
# 2



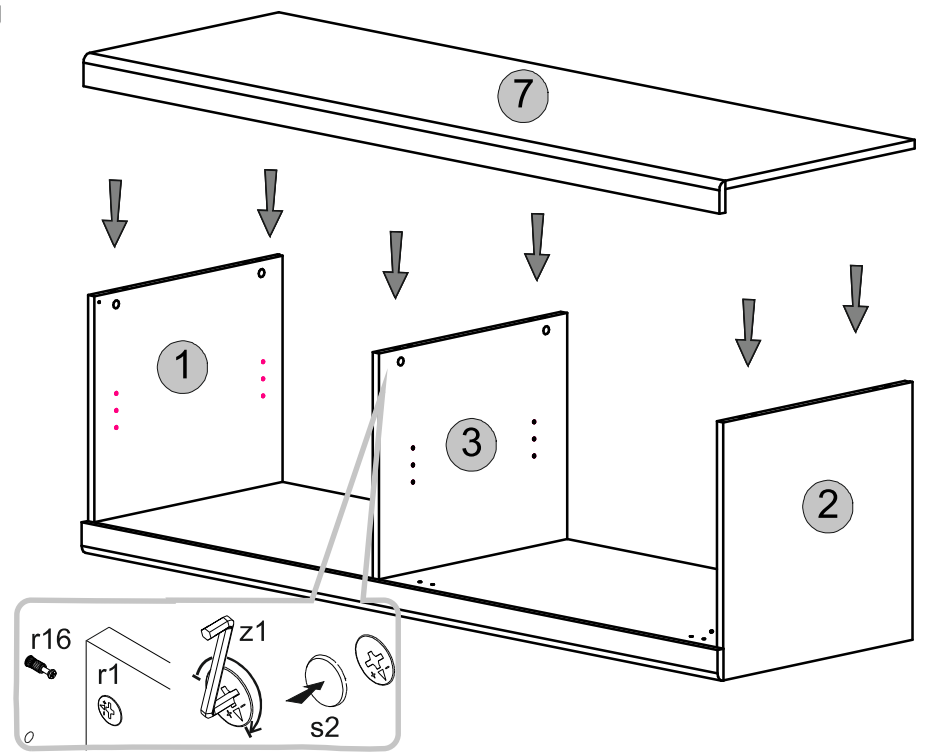
# 4



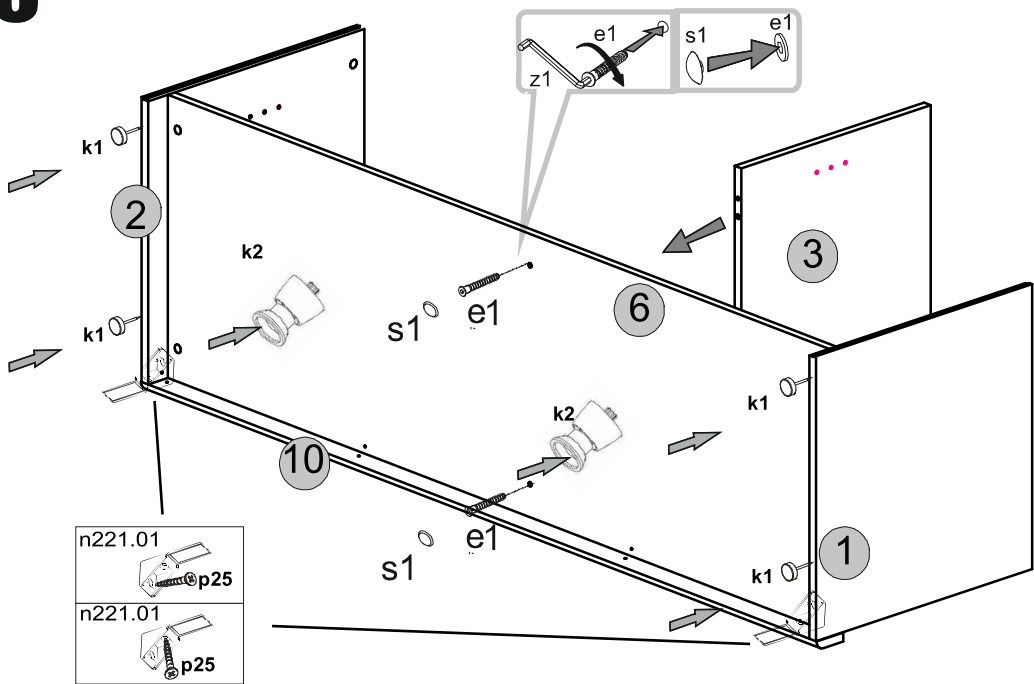
5



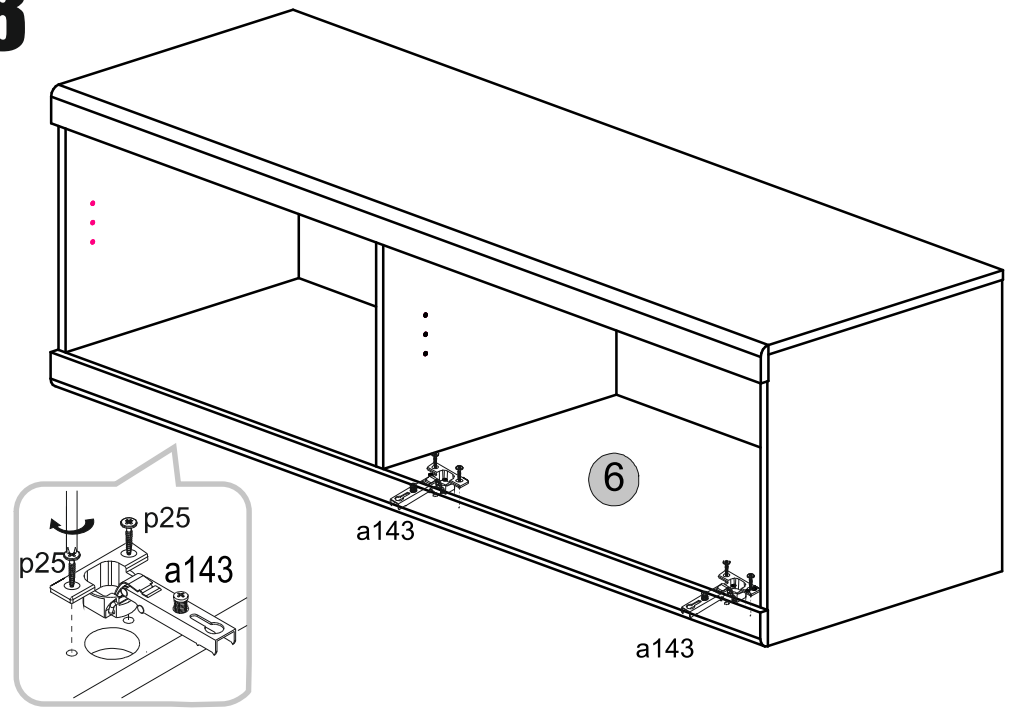
7



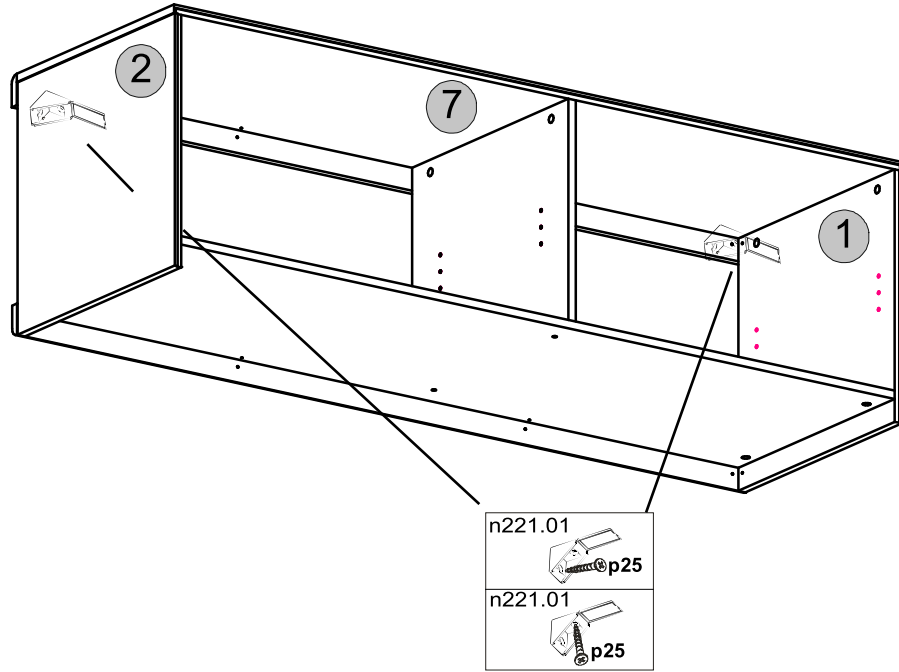
6



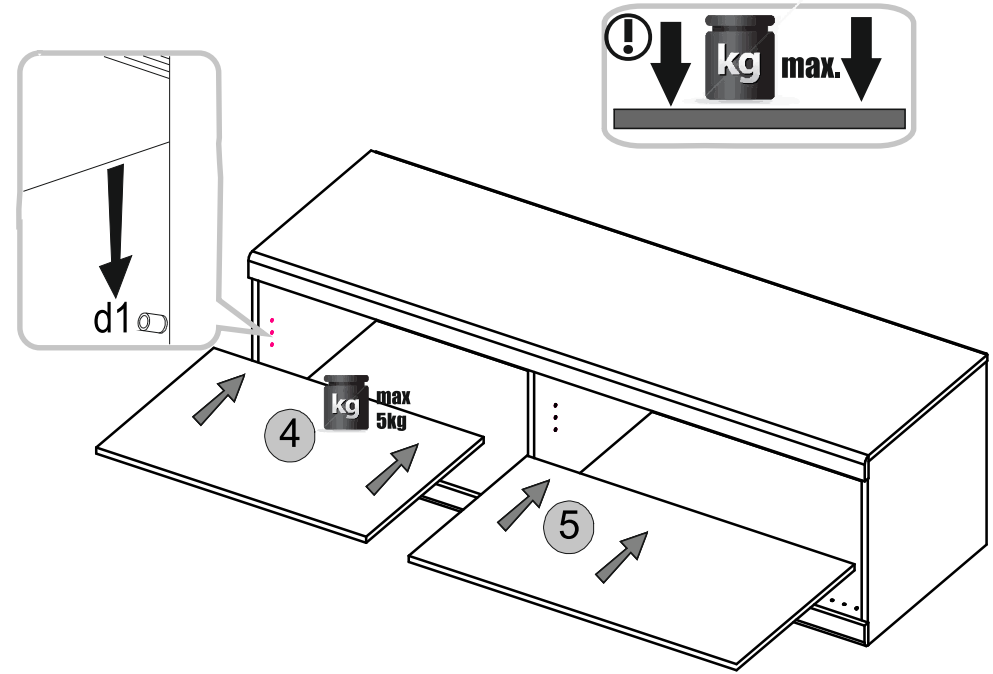
8



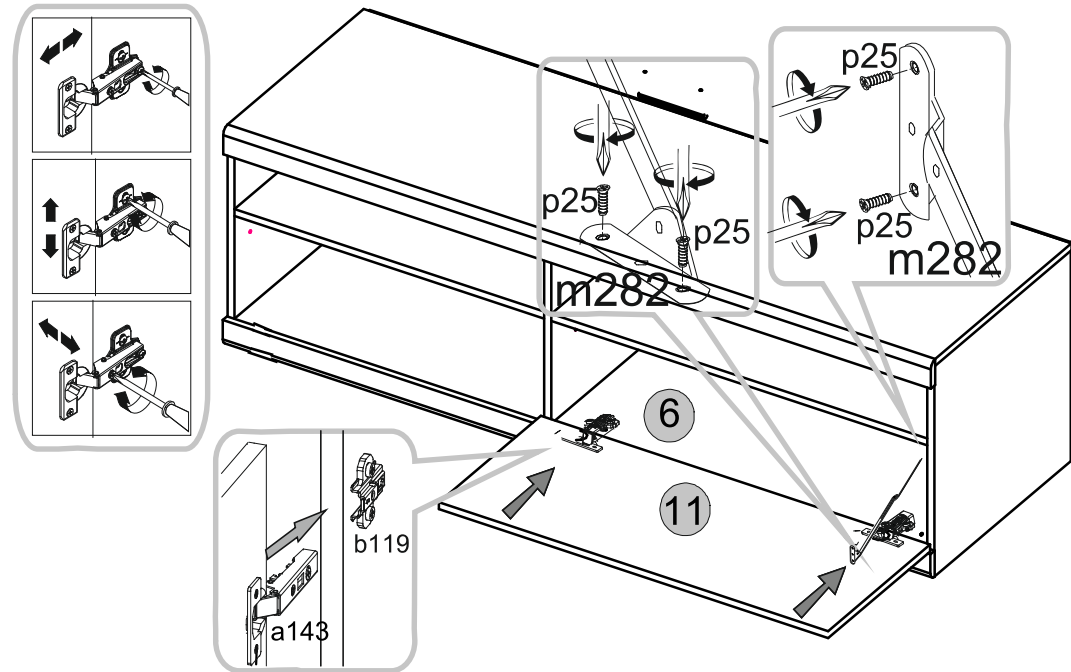
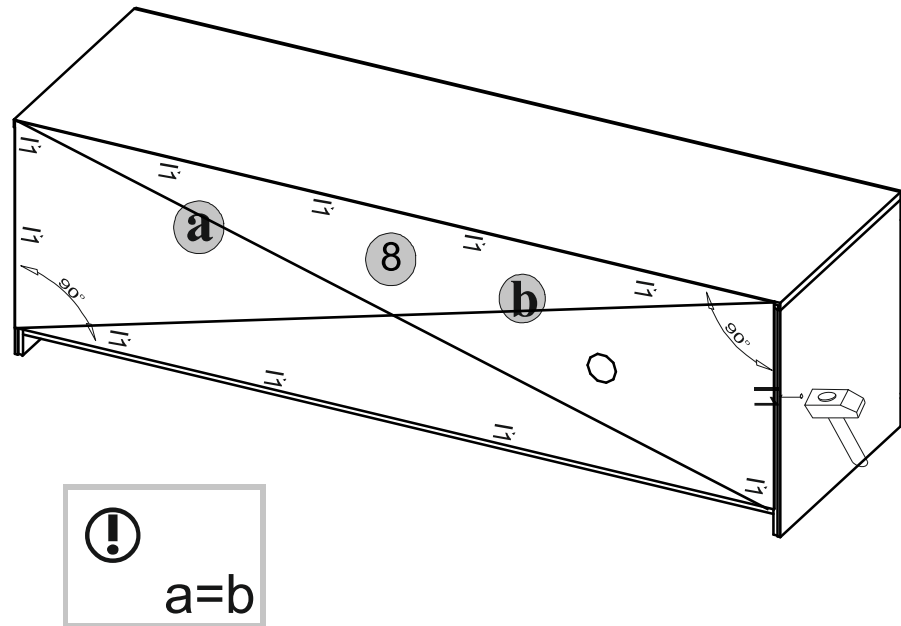
# 9



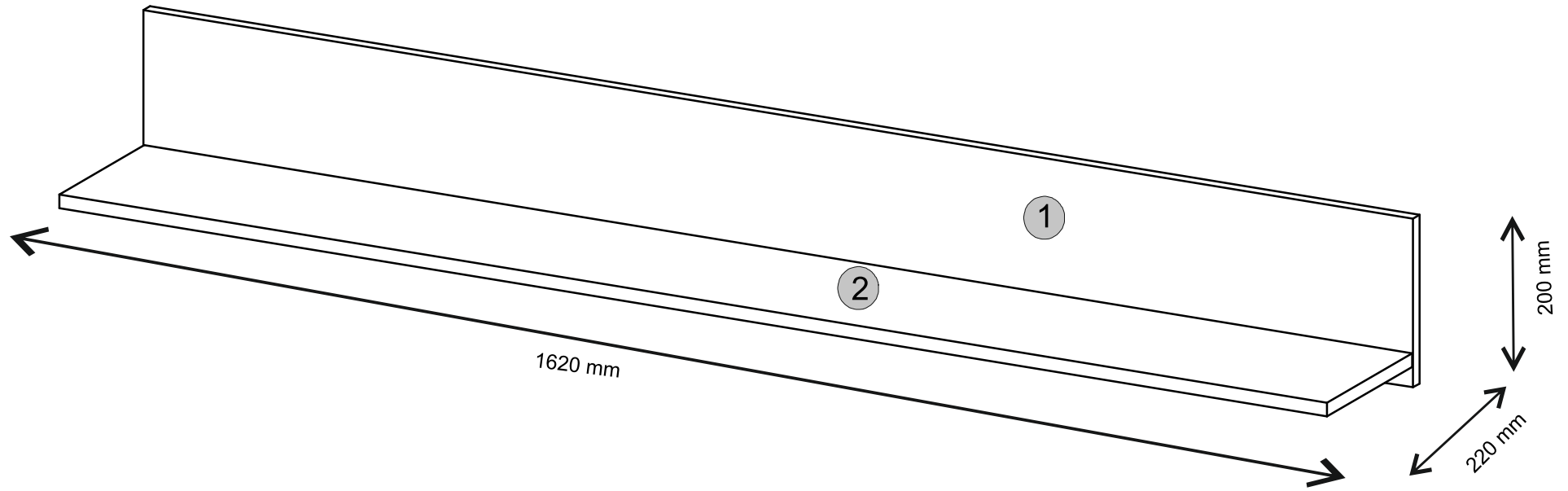
# 11



# 10

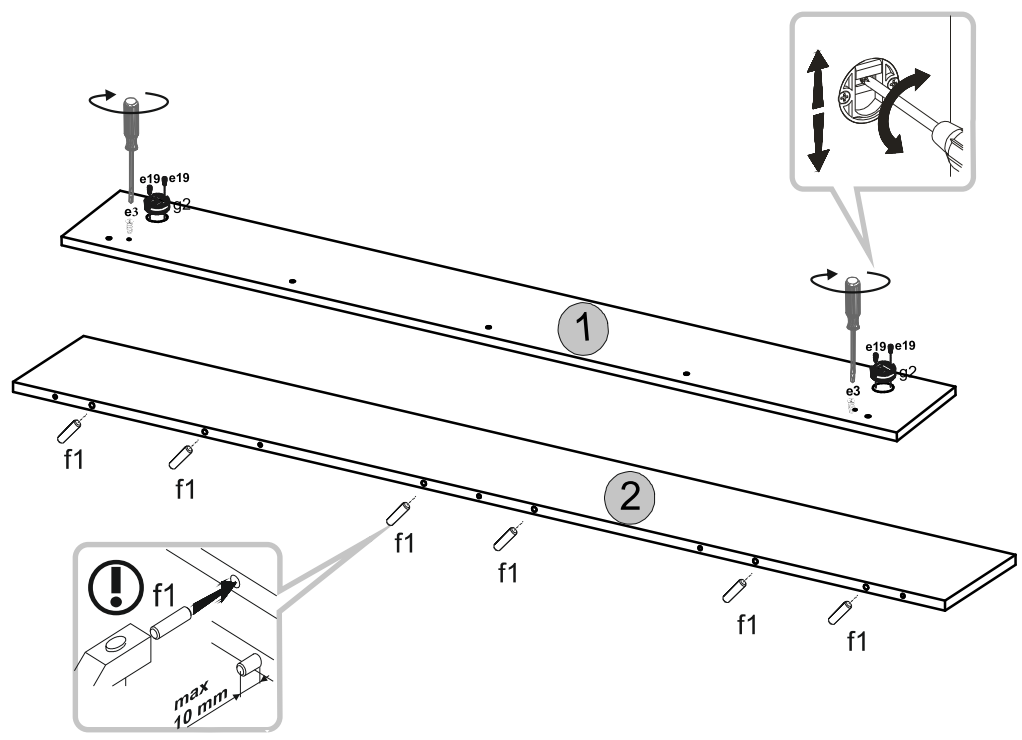


NAME: POLKA

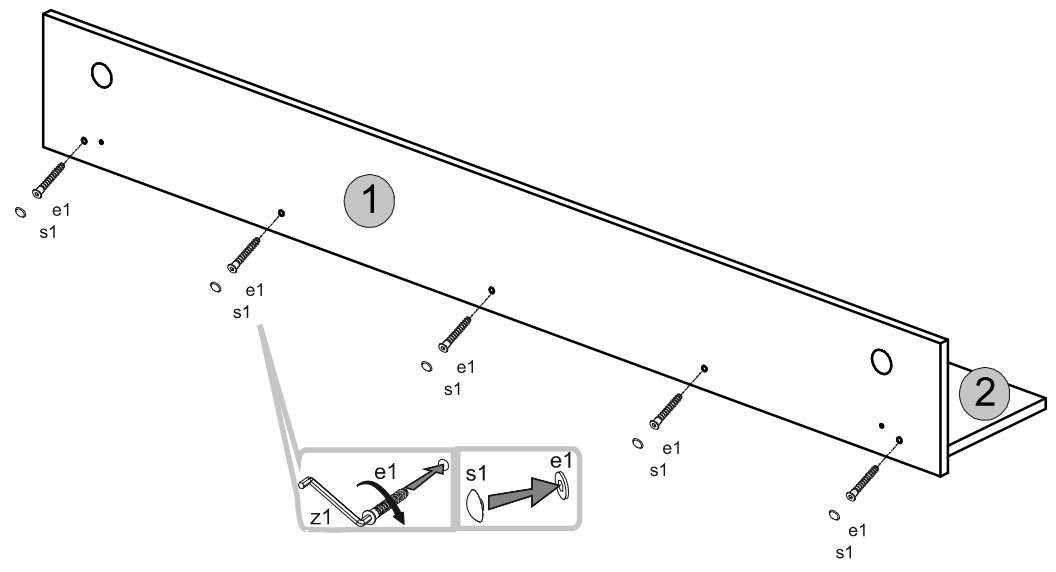


Element symbol	Dimensions				Code	Package
1	200	1620	16	1	POLKA.002	4/6
2	1618	204	16	1	POLKA.003	4/6

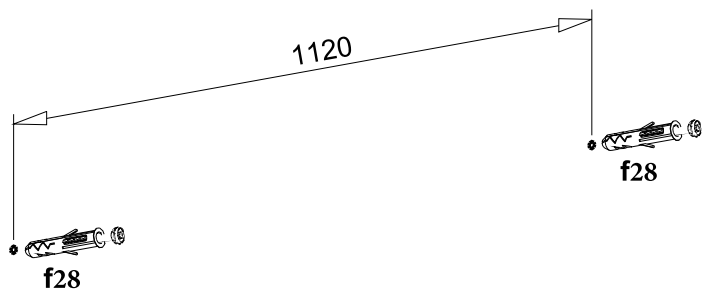
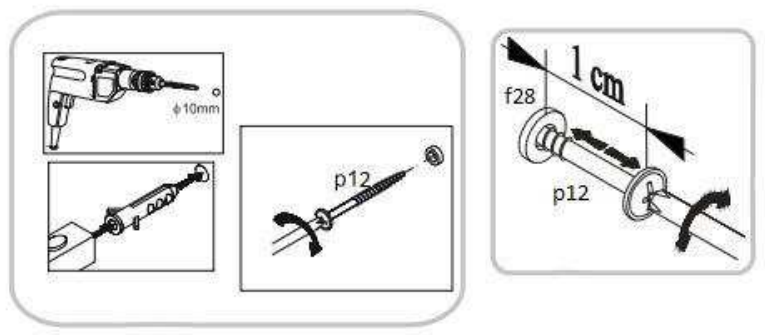
# 1



# 3



# 2



# 4

