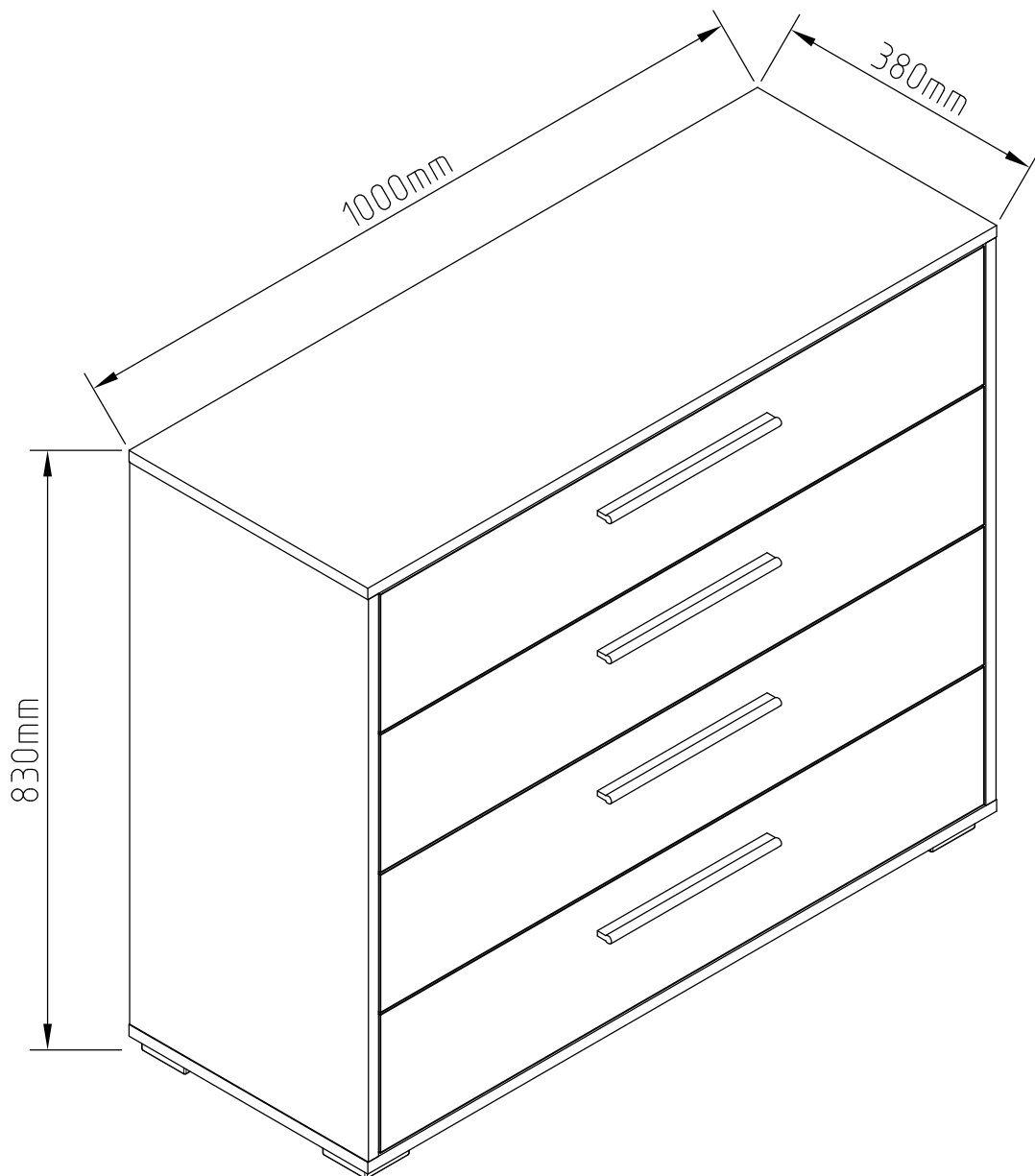


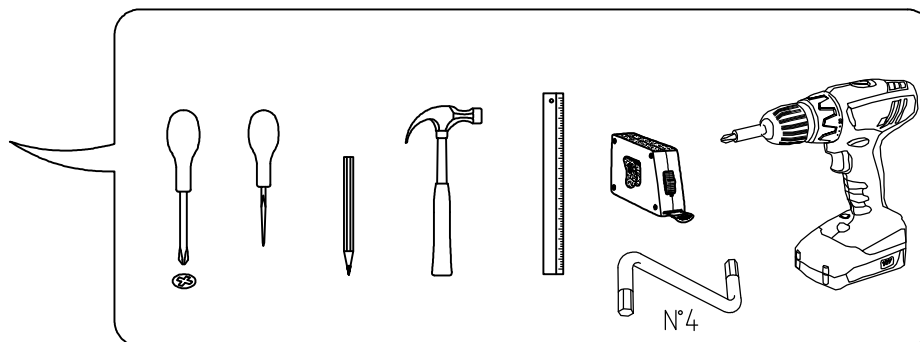
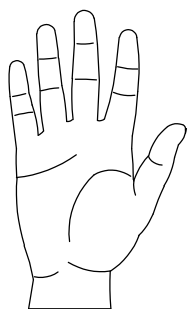
TWIST - TONY

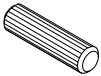
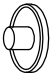
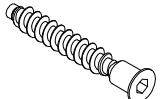
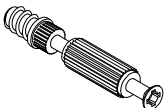

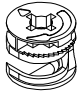

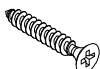


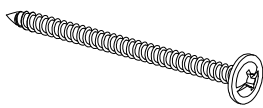
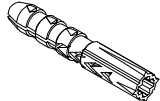

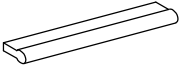
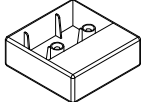
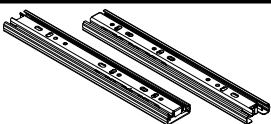
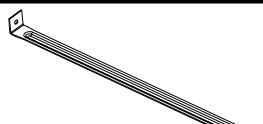
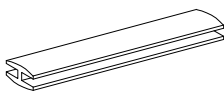
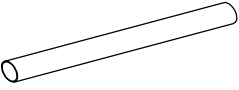
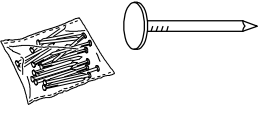
CHEST OF DRAWERS 100



TWIST - TONY

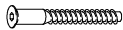
chest of drawers 100

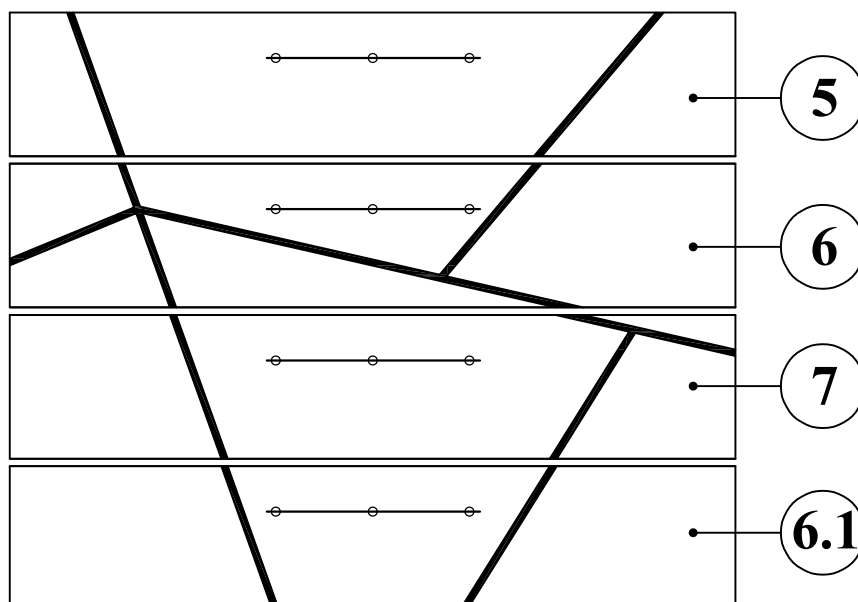


 (A1) 8*30mm x44	 (B) x12	 (B1) 6,3*50mm x12
 (C1) 6*43mm x16	 (D) ϕ 20mm x16	 (D1) 15/16 x16
 (E6) 3,5*16 x40	 (E14) 4*25mm x12	 (E16) 4*35mm x10
 (E-2) 4,2*16mm x7	 (E-5) 4,2*65mm x1	 (H5) 8*50mm x1
 (H7) x1	 (I9) x4	 (K4) x5
 (M2) L-350mm x4	 (M9) L-350 mm x4	 (O8) L-966 mm x1
 (P1) ϕ 25 L-988mm x1	 (R3) 1.4*25mm 0.070kg	

TWIST - TONY

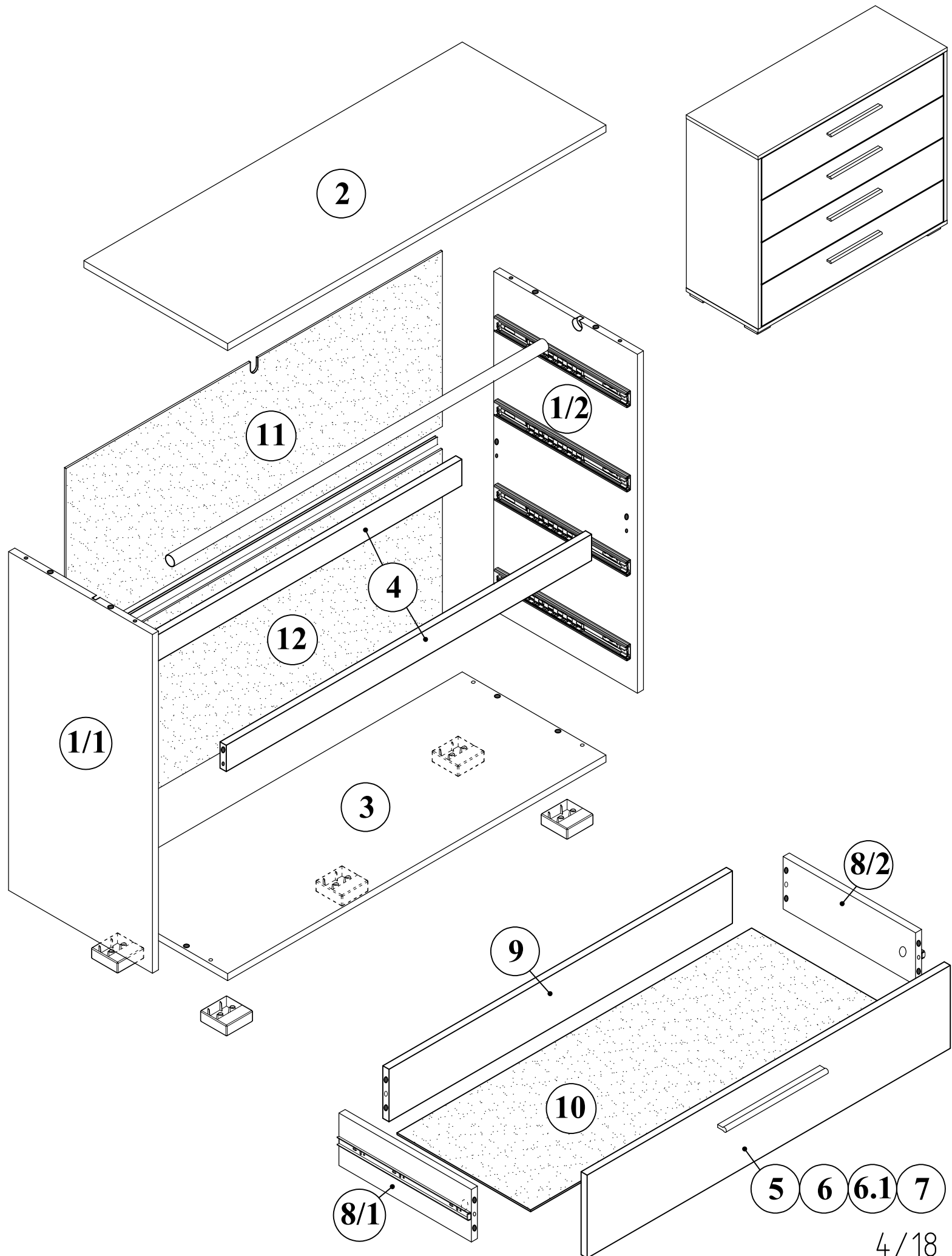
chest of drawers 100

No	a*b	x	N°→...
1/1	775x380	x1	2/3
1/2	775x380	x1	2/3
2	1000x380	x1	1/3
3	1000x380	x1	1/3
4	966x60	x2	1/3
5	960x190	x1	3/3
6	960x190	x1	3/3
6.1	960x190	x1	3/3
7	960x190	x1	3/3
8/1	350x120	x4	2/3
8/2	350x120	x4	2/3
9	908x120	x4	1/3
10	937x353	x4	1/3
11	995x401	x1	1/3
12	995x401	x1	1/3
		x1	2/3



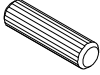
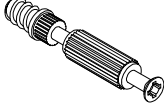
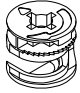
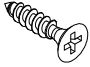

TWIST - TONY

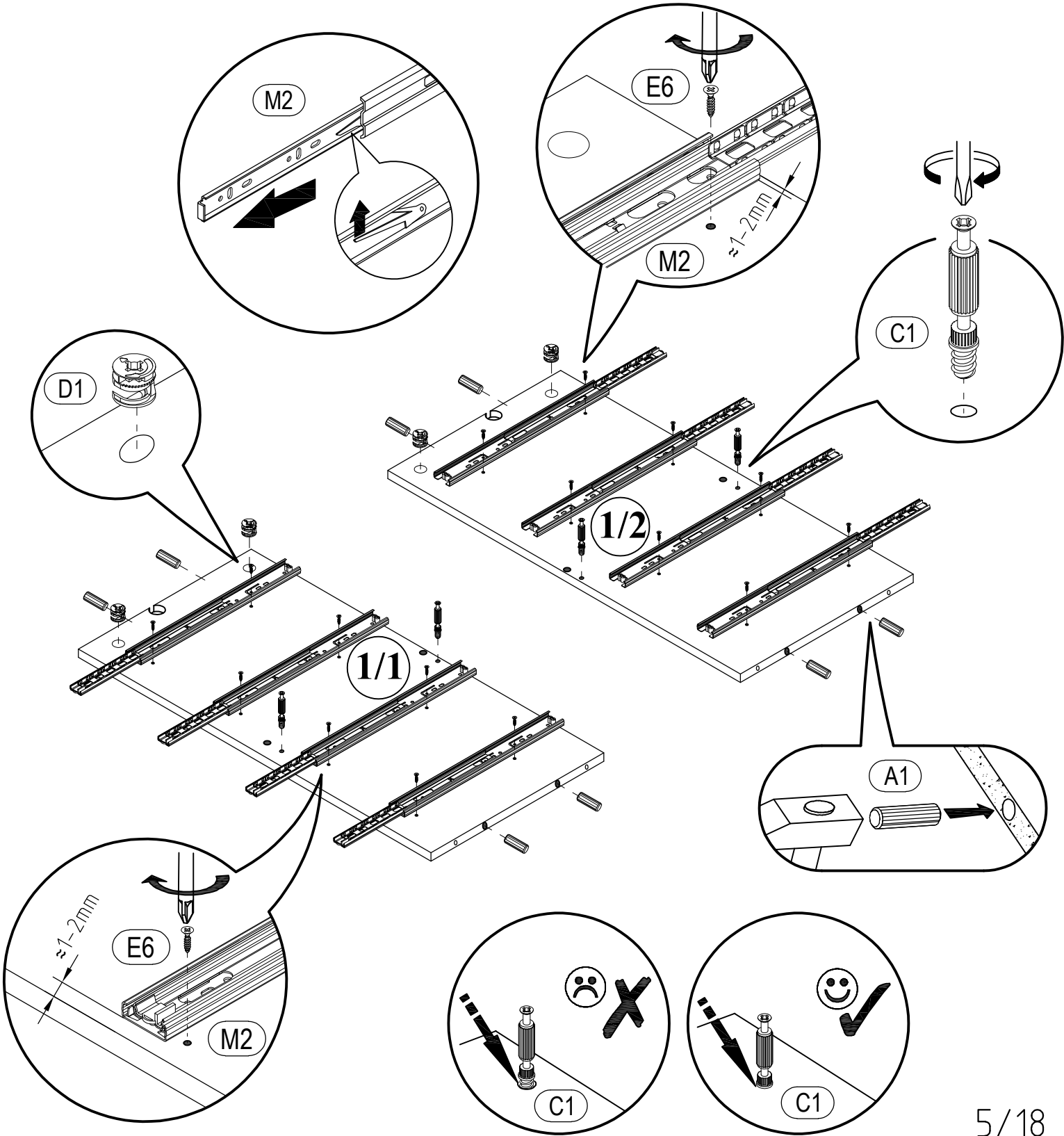
chest of drawers 100



TWIST - TONY

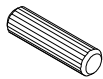
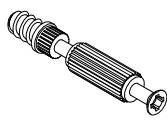
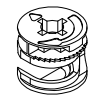
chest of drawers 100

 A1 8*30mm x8	 C1 6*43mm x4	 D1 15/16 x4
1	 E6 3,5*16 x16	 M2 L-350mm x4

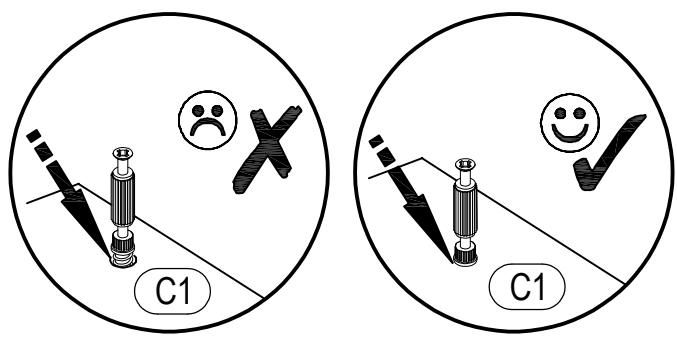
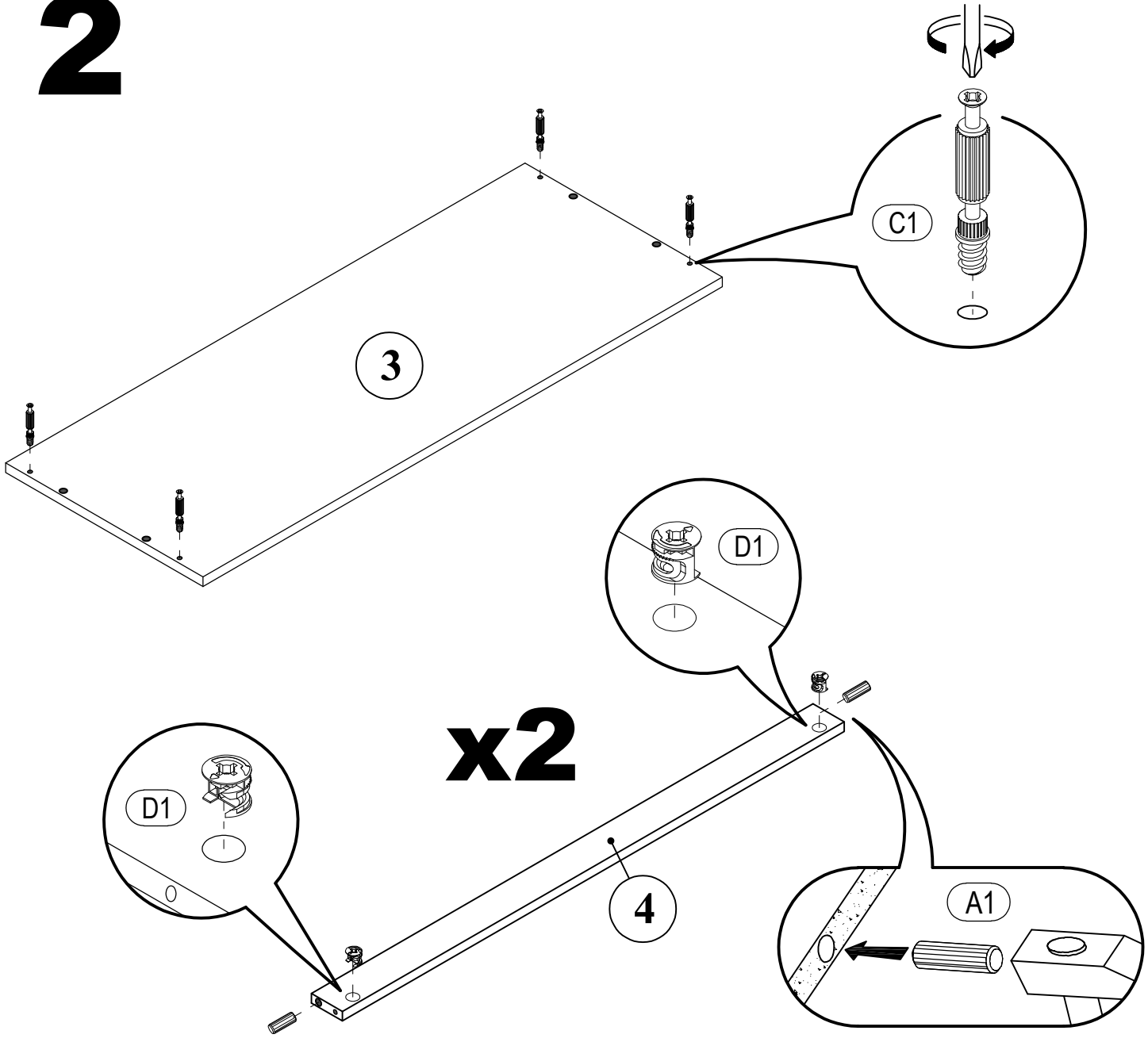


TWIST - TONY

chest of drawers 100

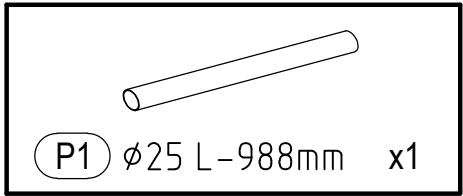
 A1 8*30mm x4	 C1 6*43mm x4	 D1 15/16 x4
--	--	---

2

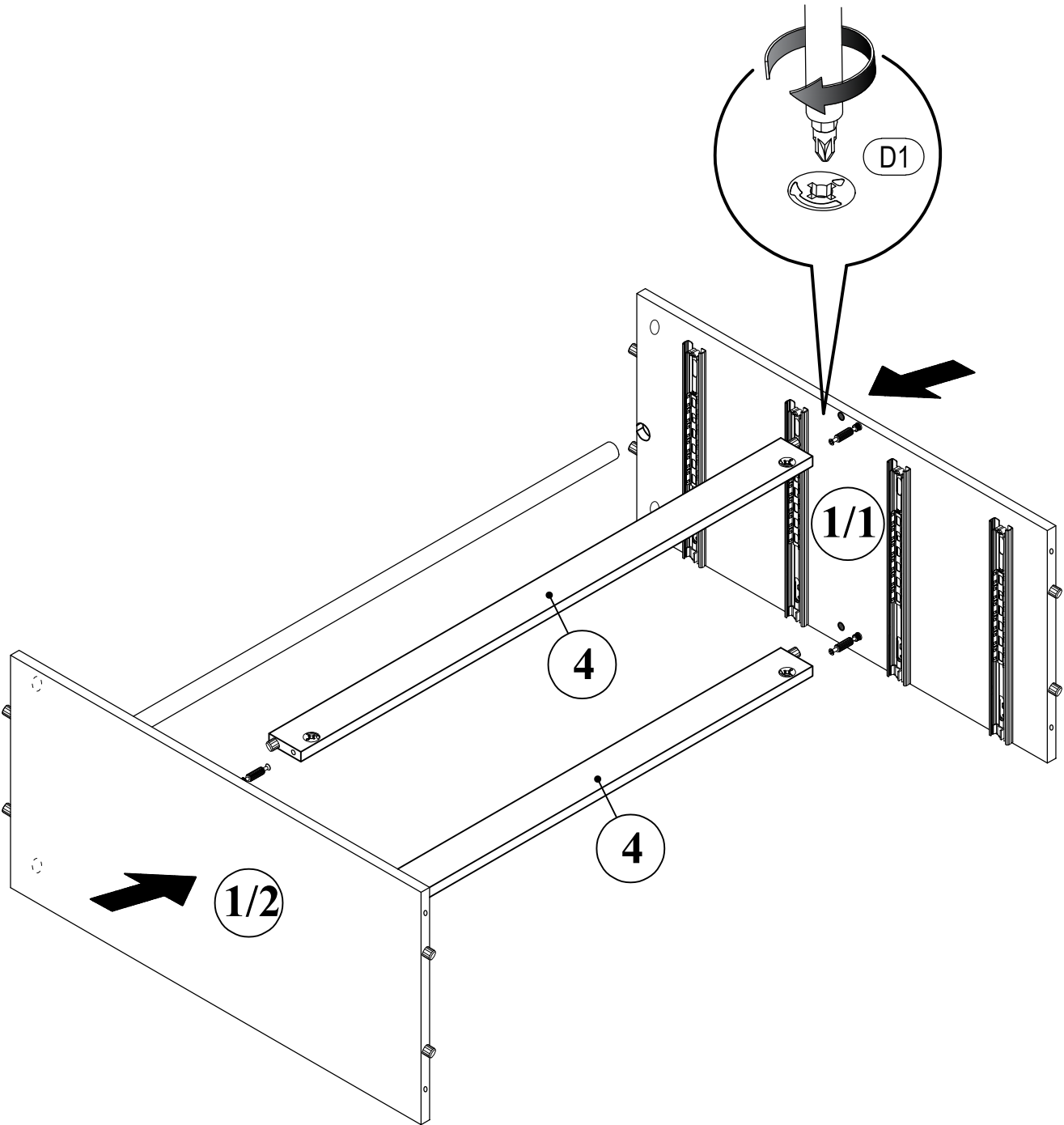


TWIST - TONY

chest of drawers 100

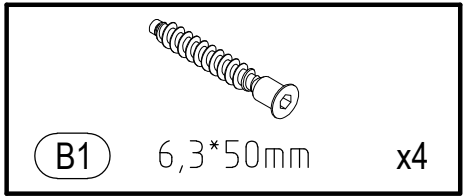


3

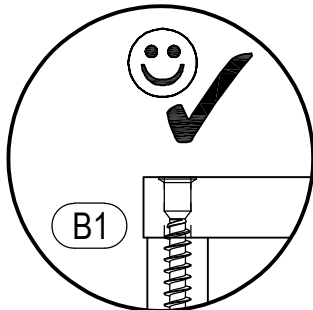
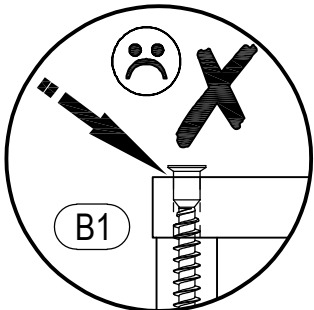
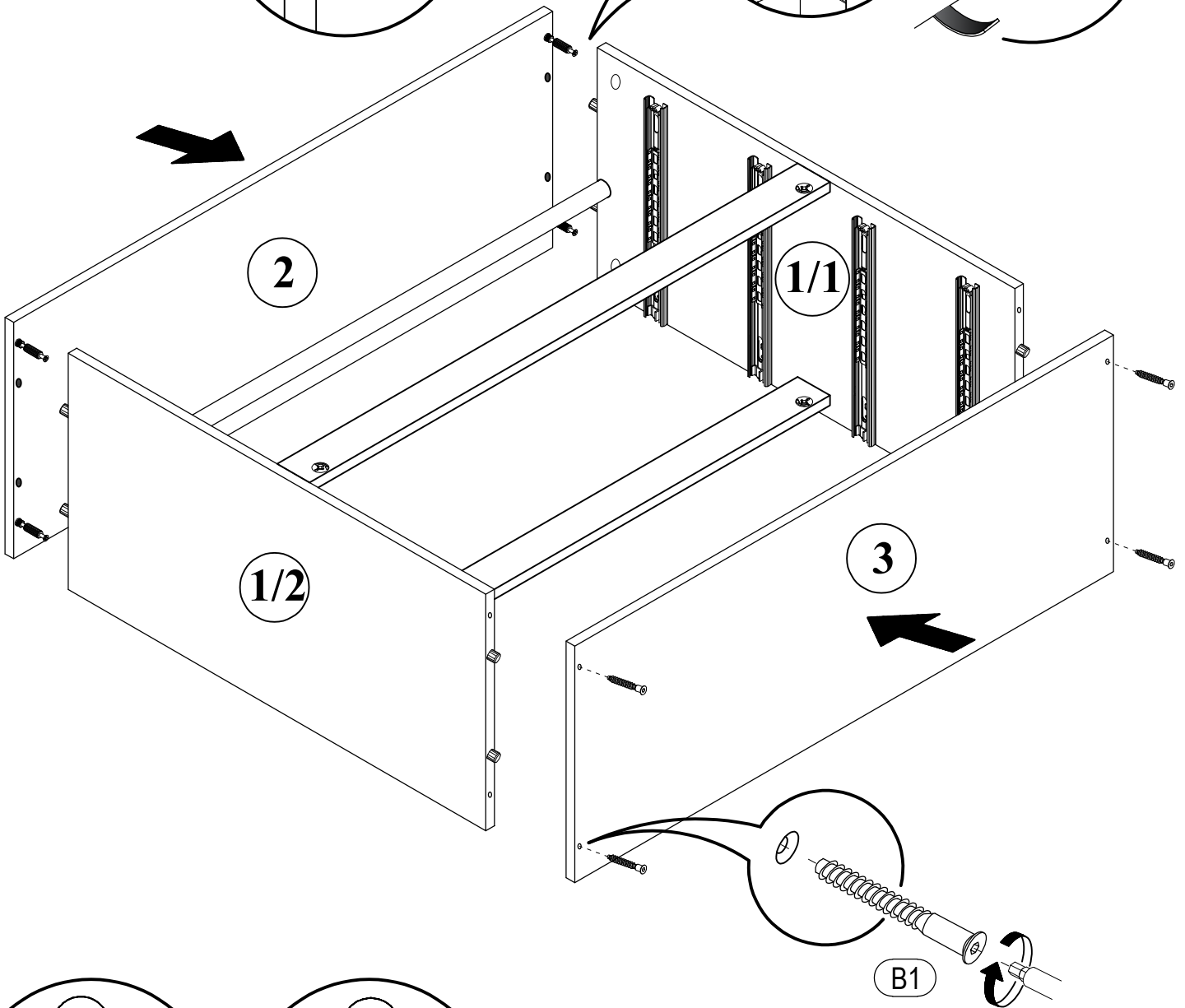
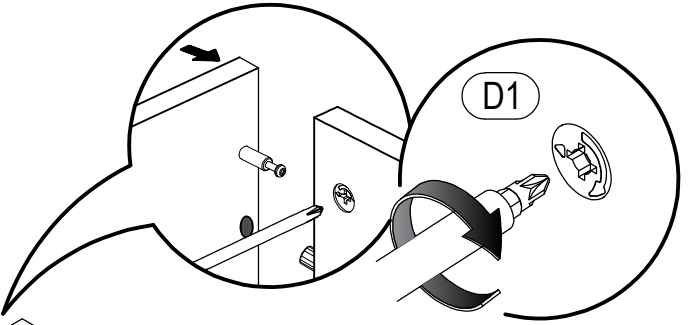
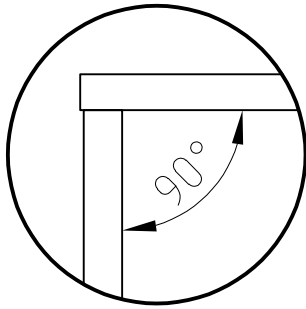


TWIST - TONY

chest of drawers 100



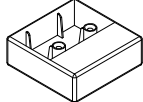



4

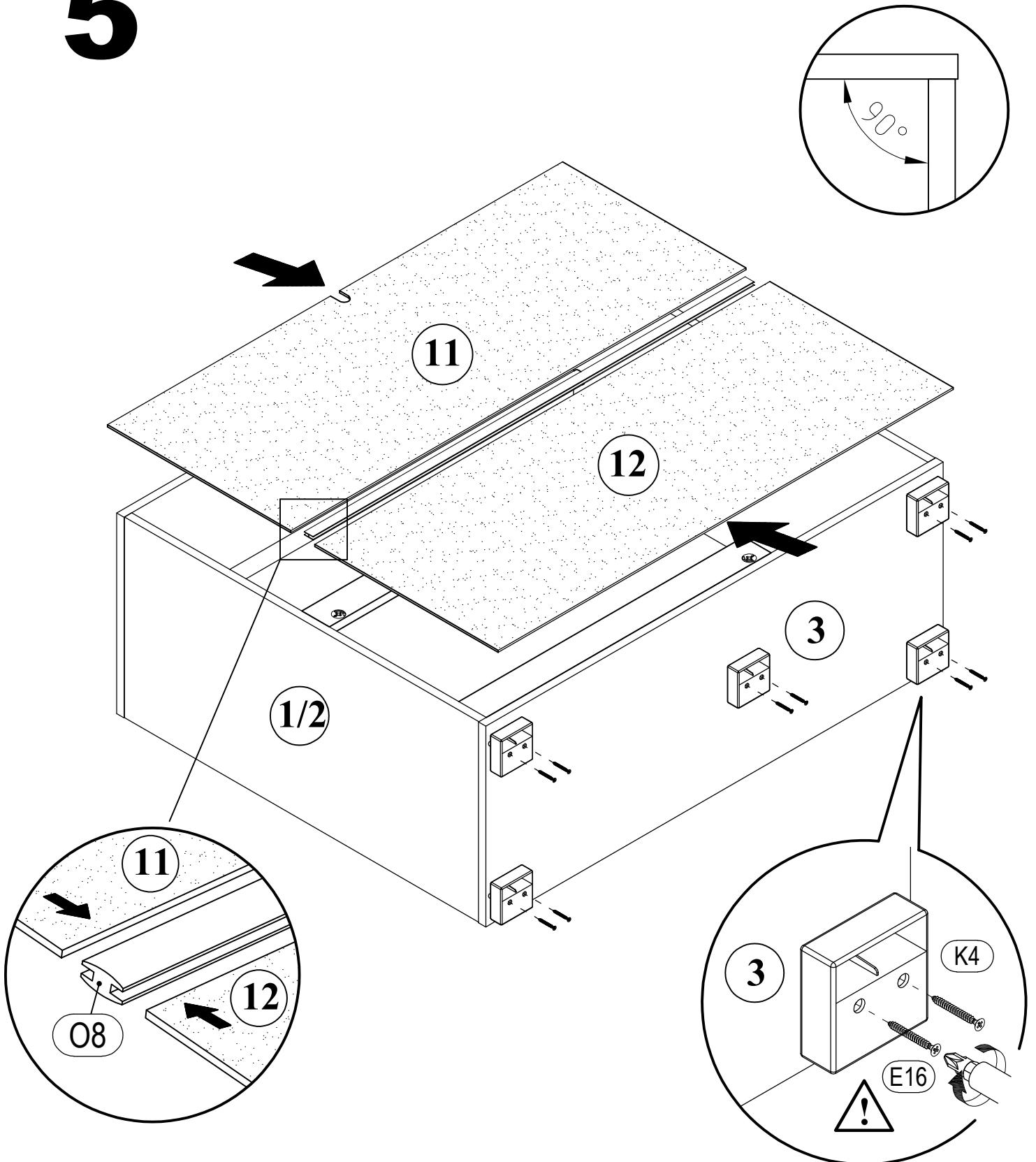


TWIST - TONY

chest of drawers 100



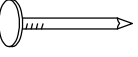
 E16 4*35mm x10	 x10	 K4 x5	 O8 L-966 mm x1
---	--	--	---

5

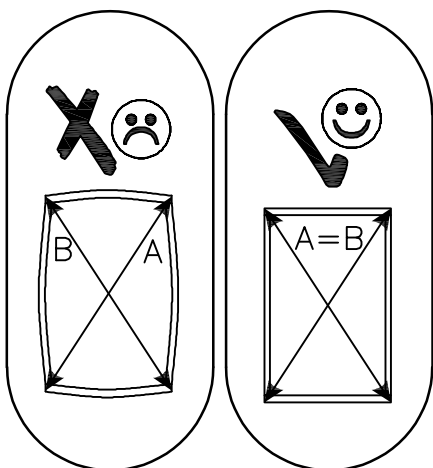
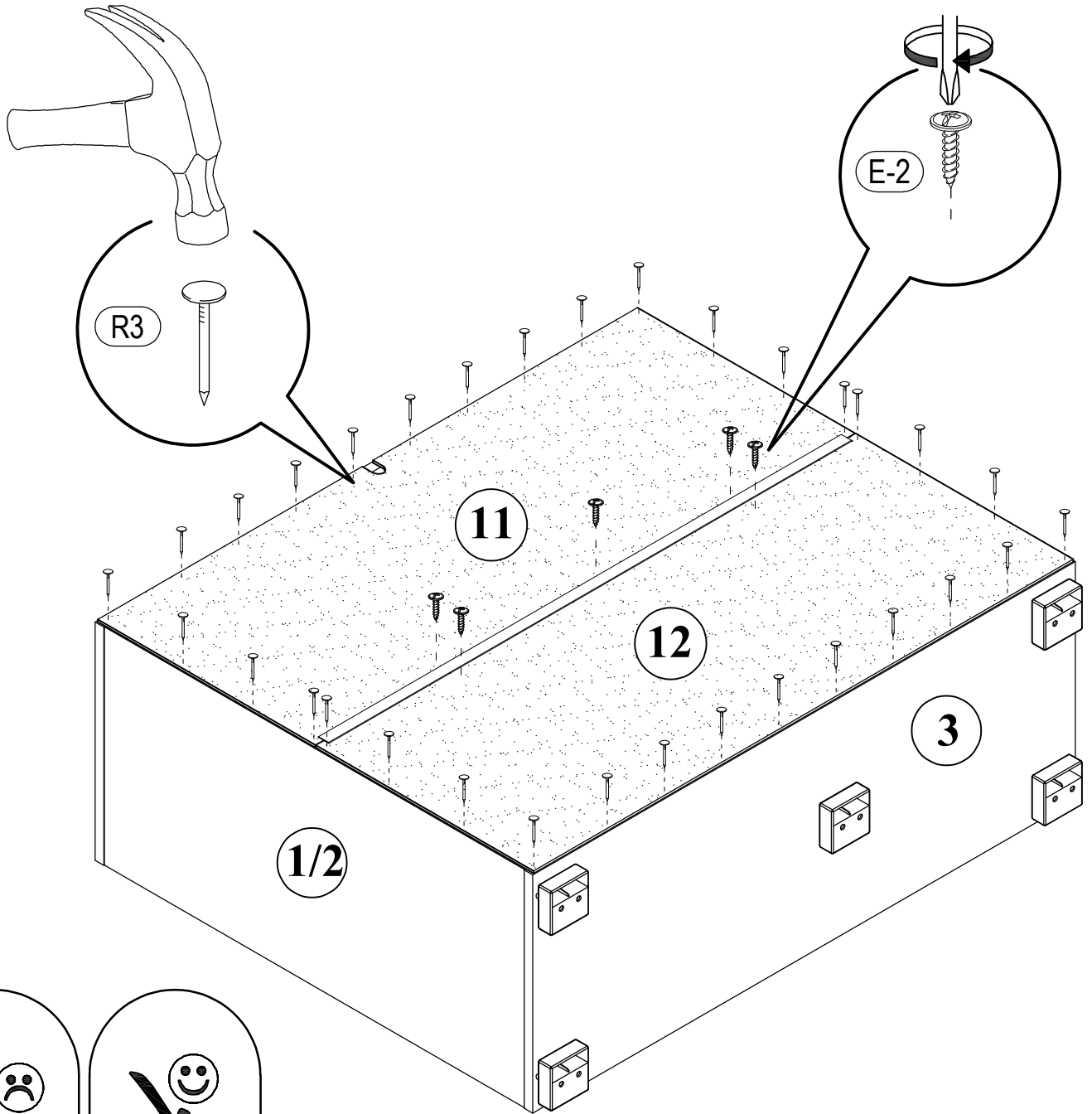


TWIST - TONY

chest of drawers 100


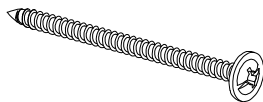
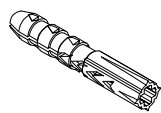

		
(E-2) 4,2*16mm x5	(R3) 1.4*25mm	0.020kg

6

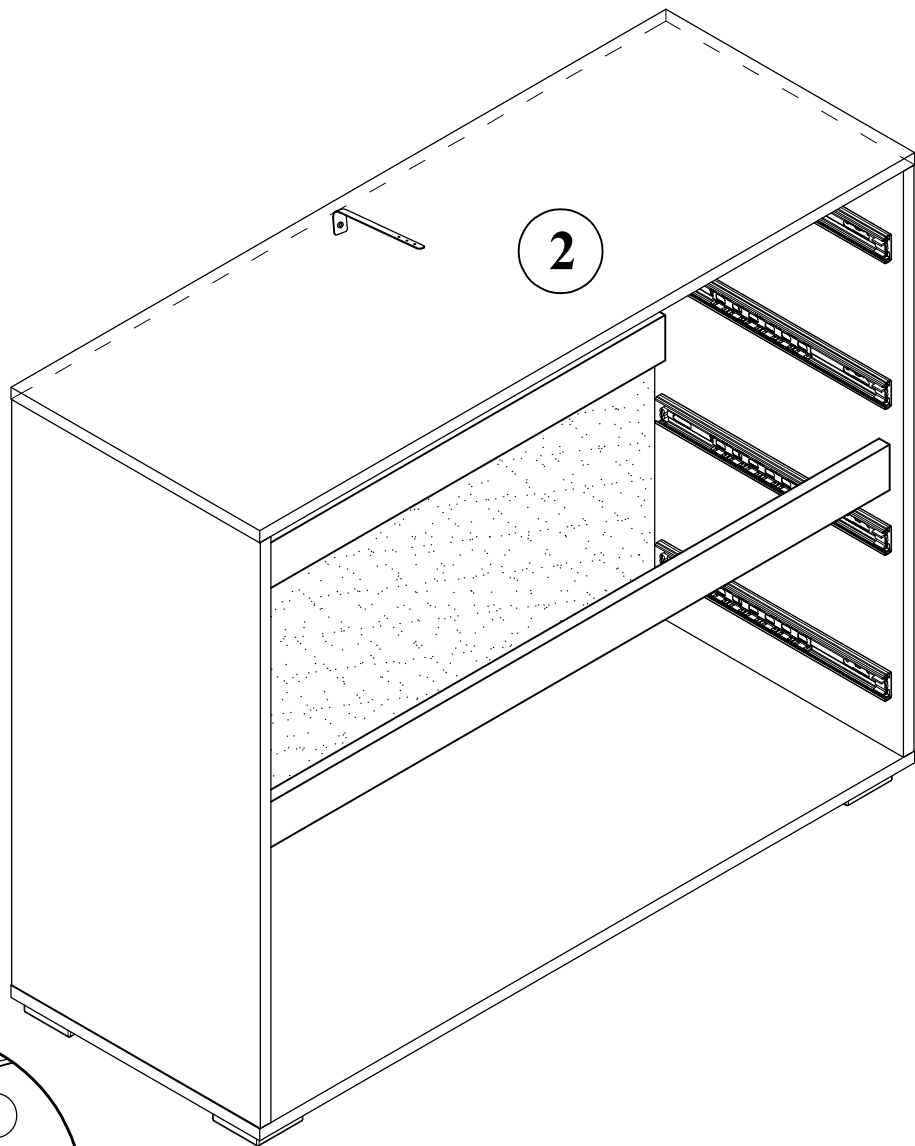
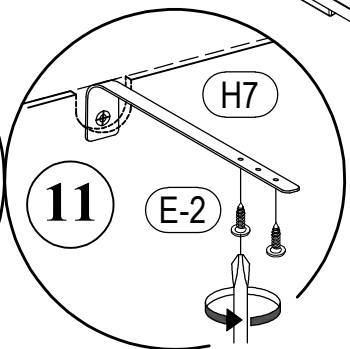
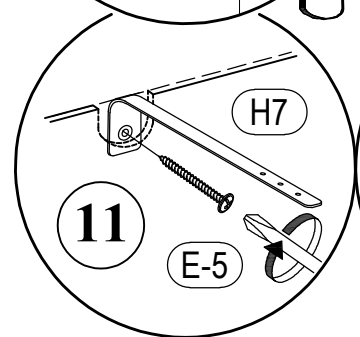
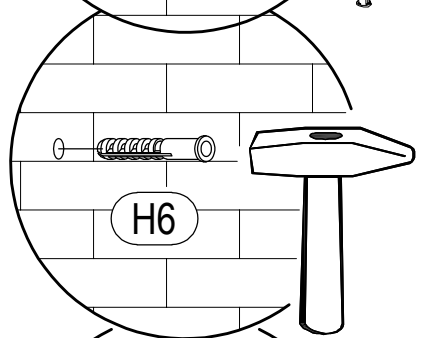
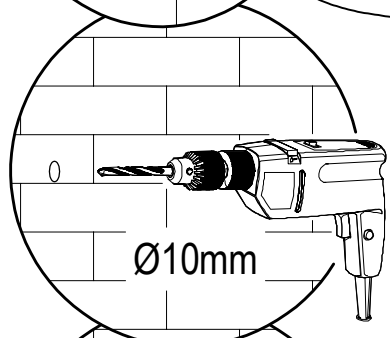
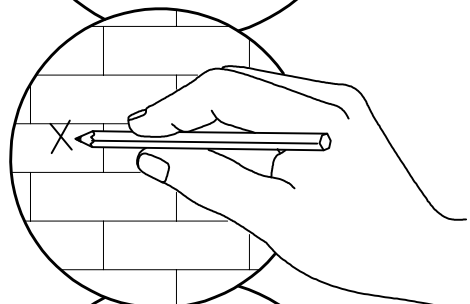
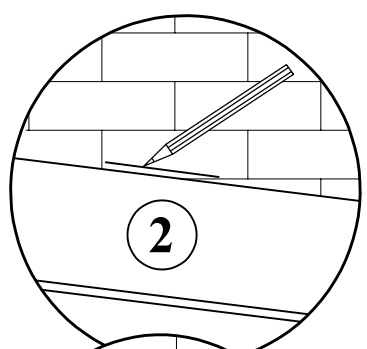
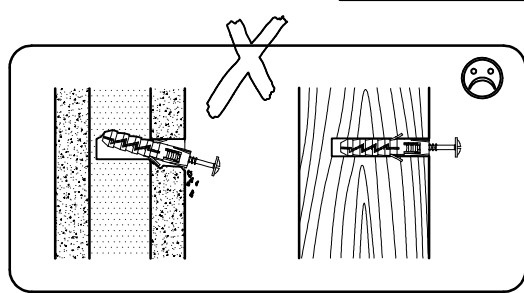
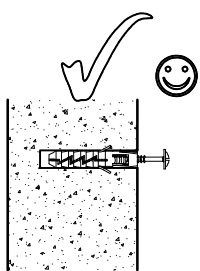


TWIST - TONY

chest of drawers 100

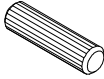
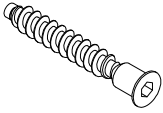
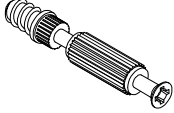

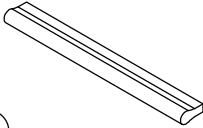
 (E-2) 4,2*16mm x2	 (E-5) 4,2*65mm x1	 (H5) 8*50mm x1
		 (H7) x1

7



TWIST - TONY

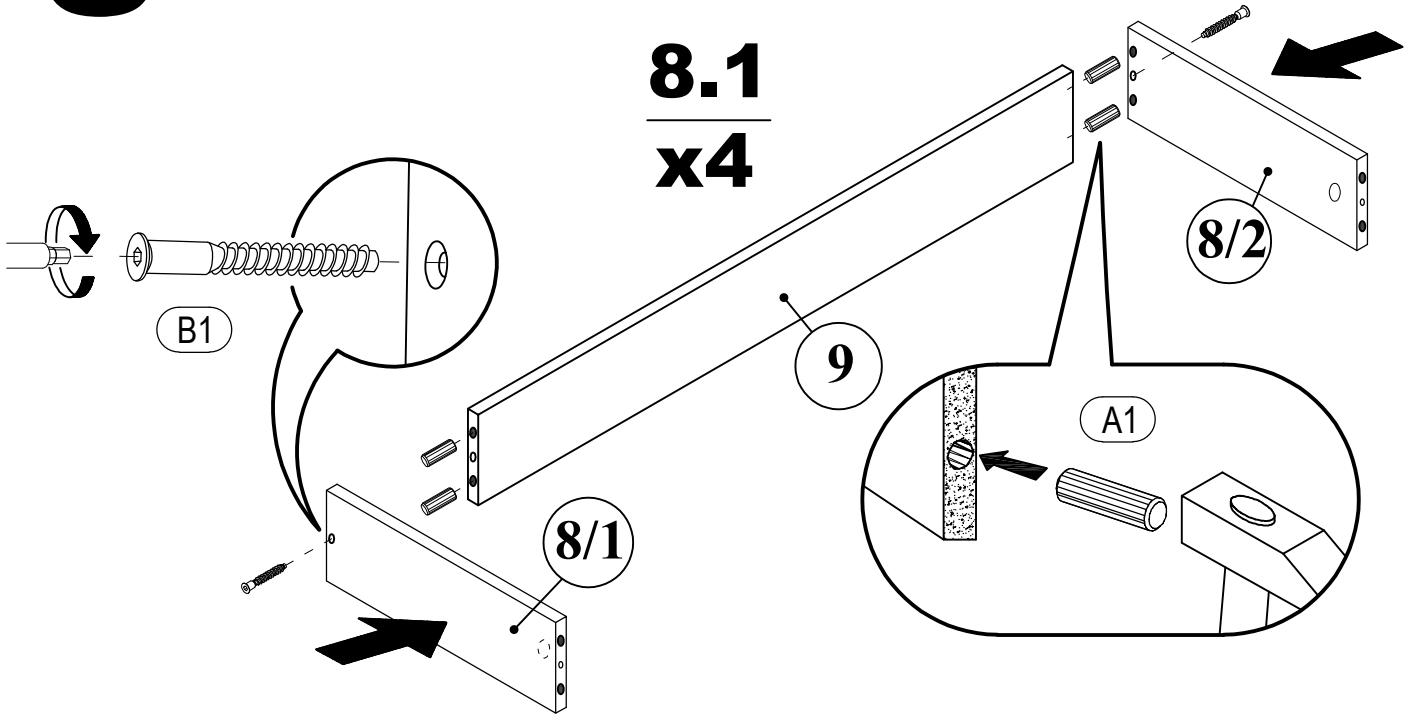
chest of drawers 100

 <p>A1 8*30mm x16</p>	 <p>B1 6,3*50mm x8</p>	 <p>C1 6*43mm x8</p>
 <p>E14 4*25mm x4</p>		 <p>I9 x4</p>

8

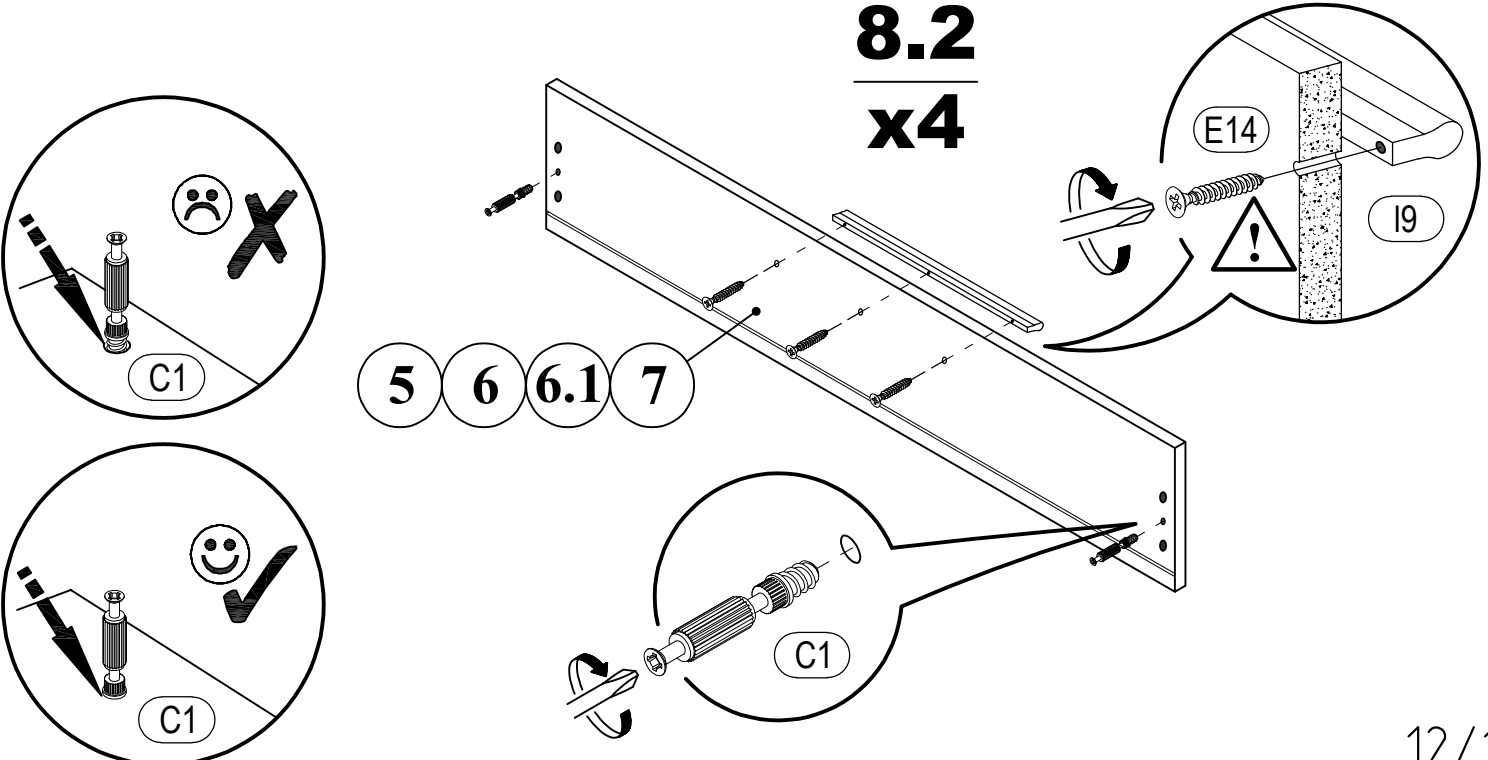
8.1

x4



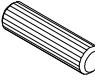

8.2

x4



TWIST - TONY

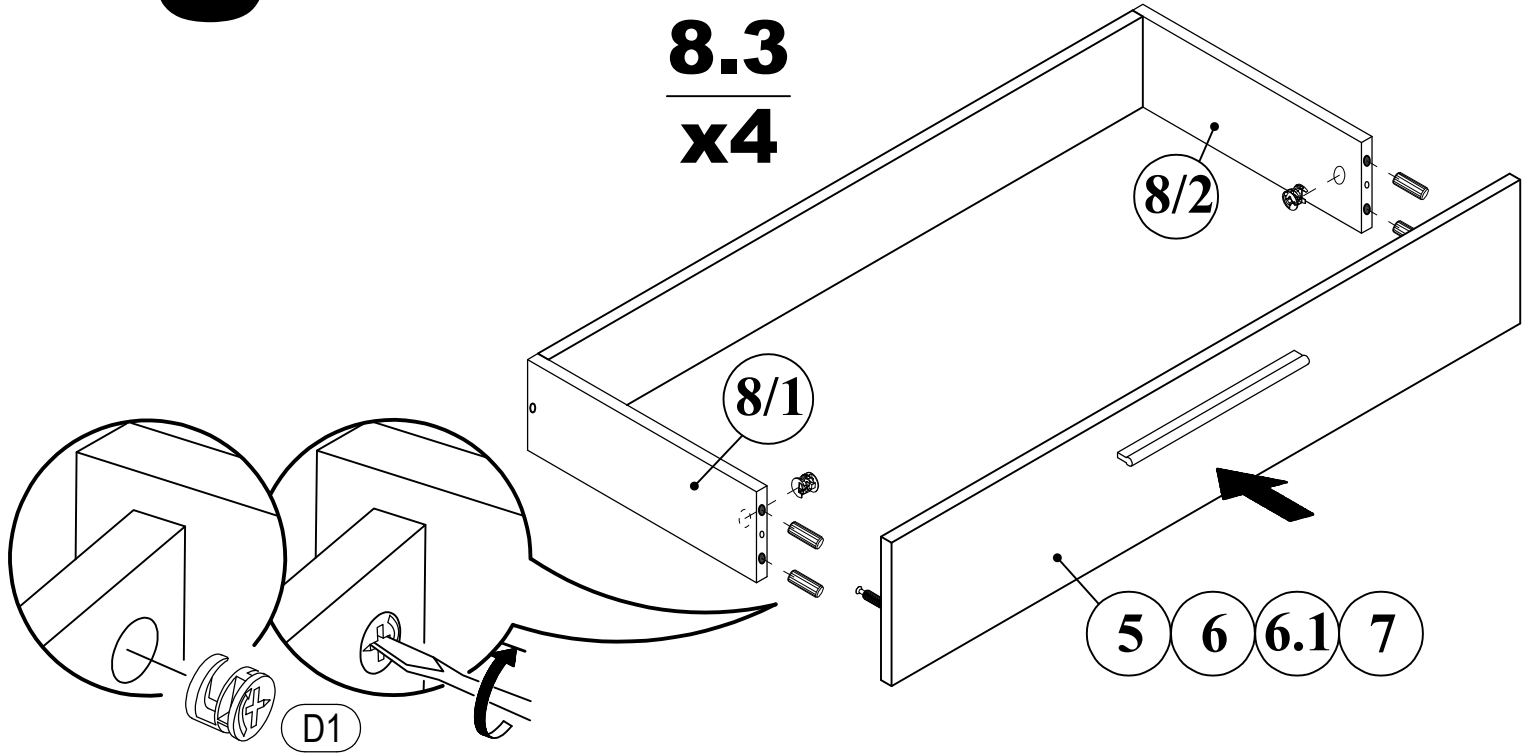
chest of drawers 100

	
(A1) 8*30mm x16	(D1) 15/16 x8

8

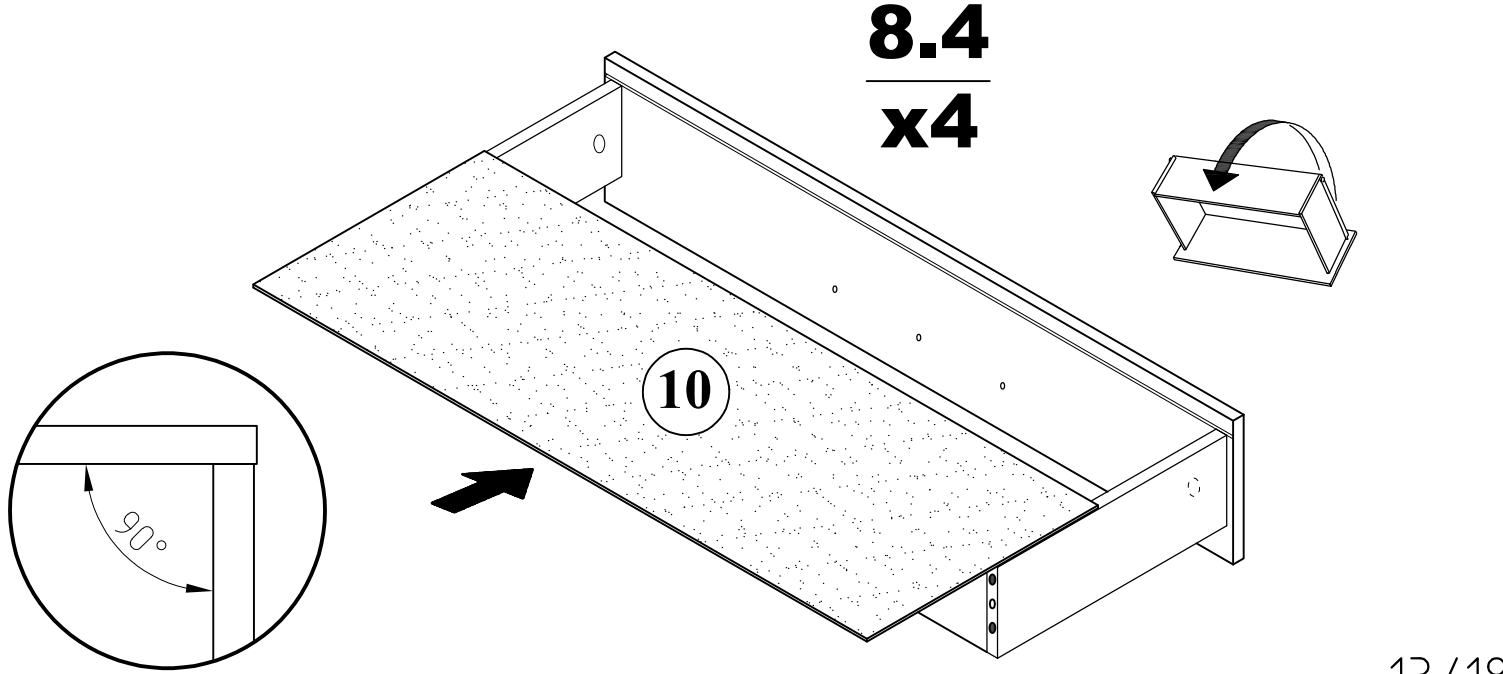
8.3

x4



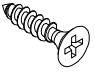
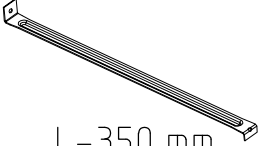
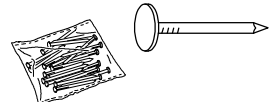
8.4

x4



TWIST - TONY

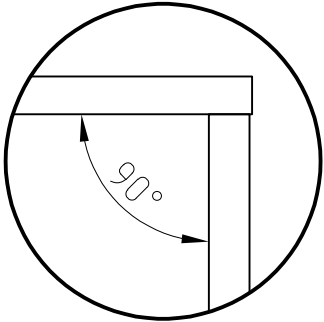
chest of drawers 100

 <p>E6 3,5*16 x8</p>	 <p>M9 L-350 mm x4</p>	 <p>R3 1.4*25mm 0.050kg</p>
--	--	---

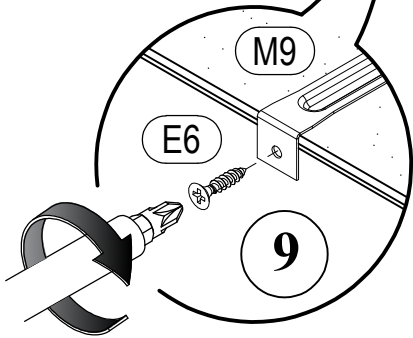
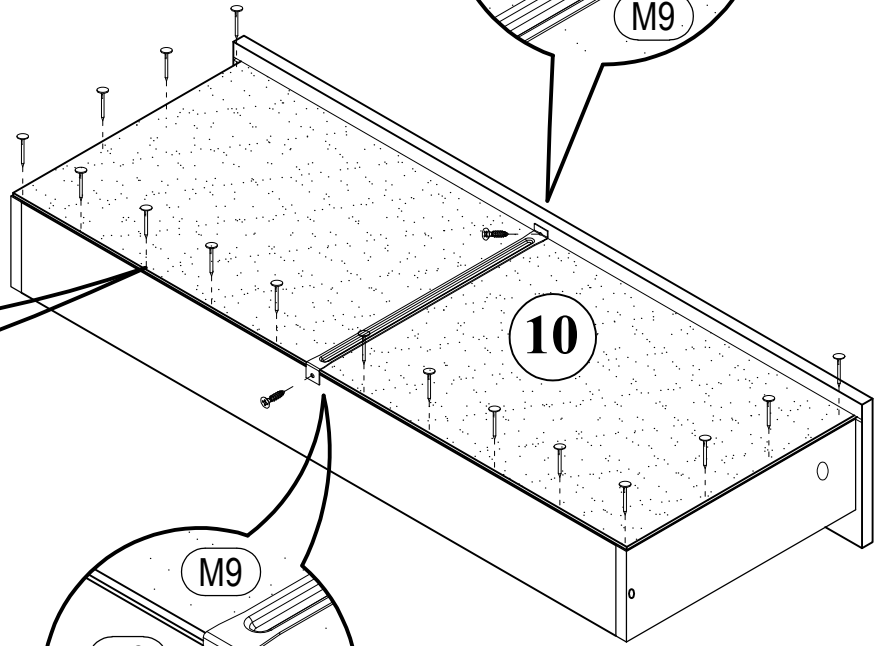
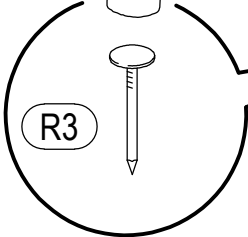
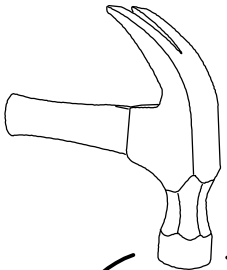
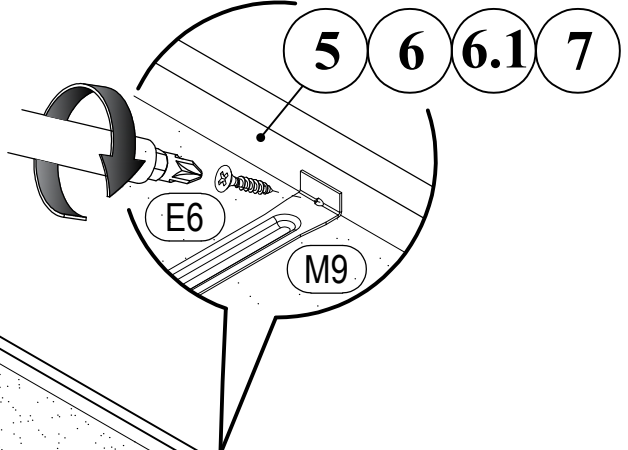
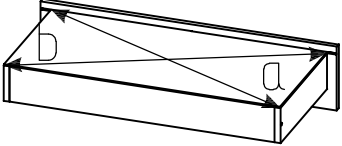
8

8.5

x4

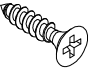
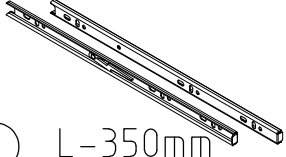


$a = b$



TWIST - TONY

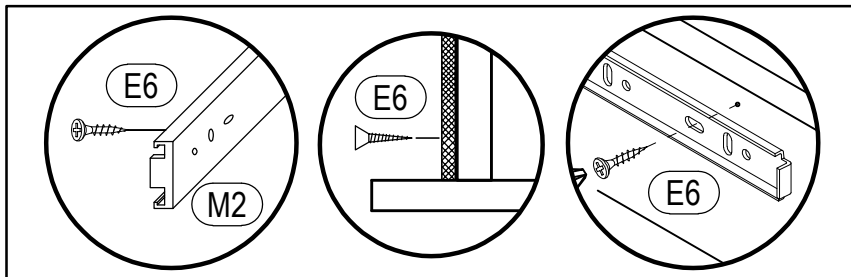
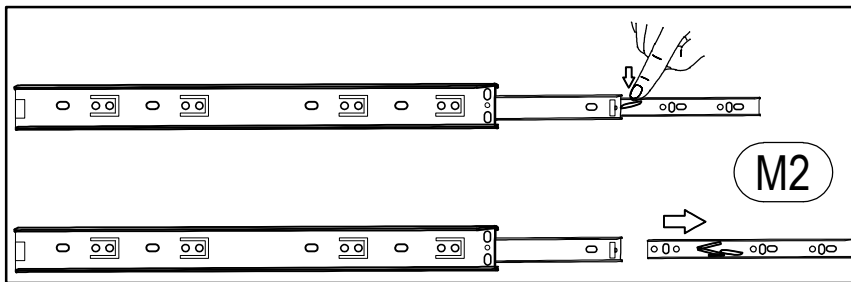
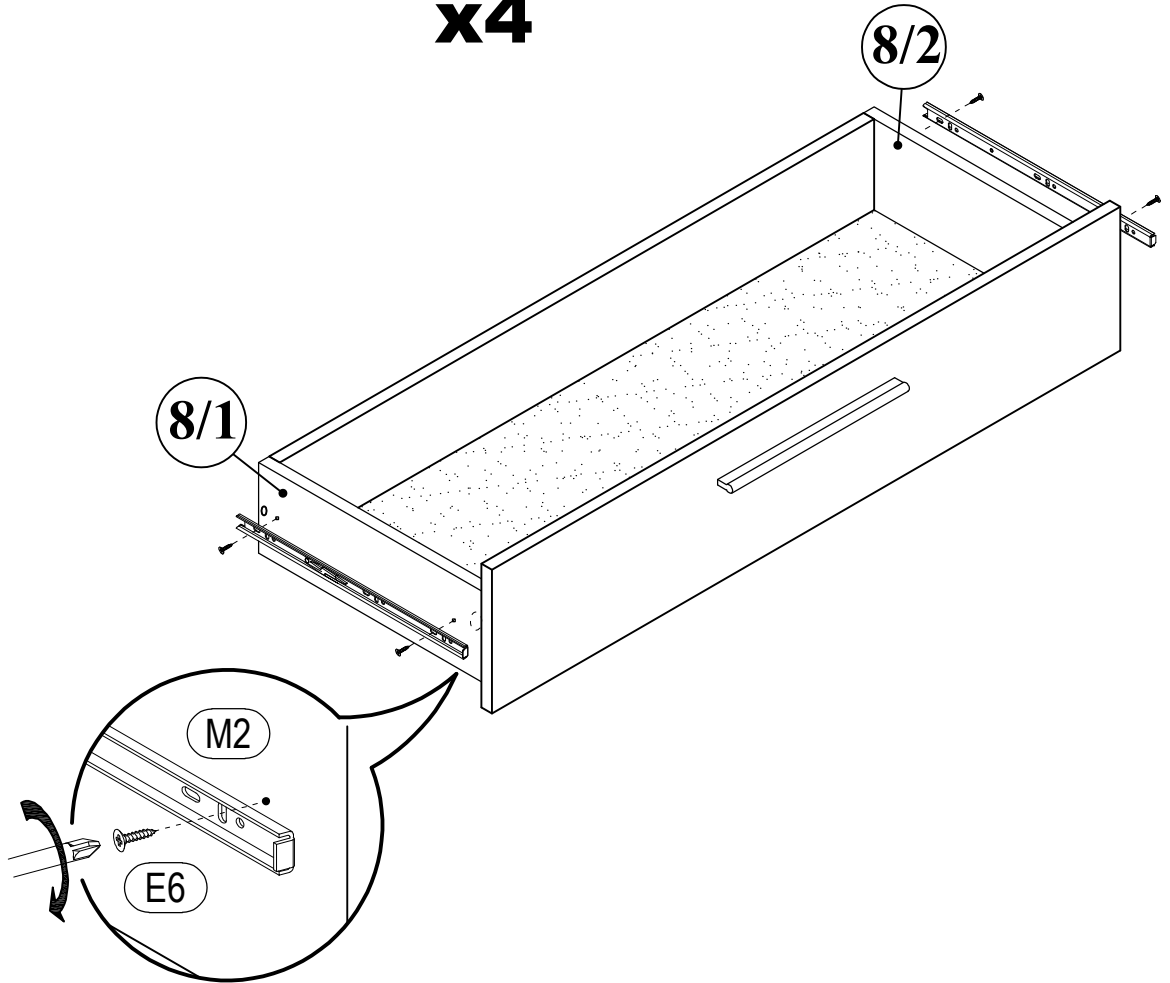
chest of drawers 100

	
(E6) 3,5*16 x16	(M2) L-350mm x4

8



8.6

x4

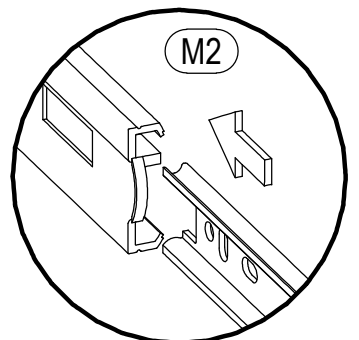
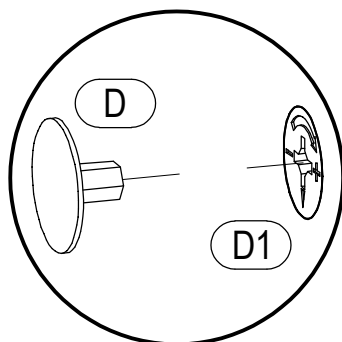
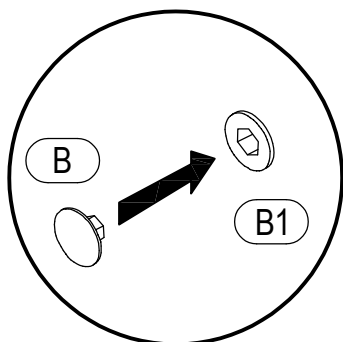
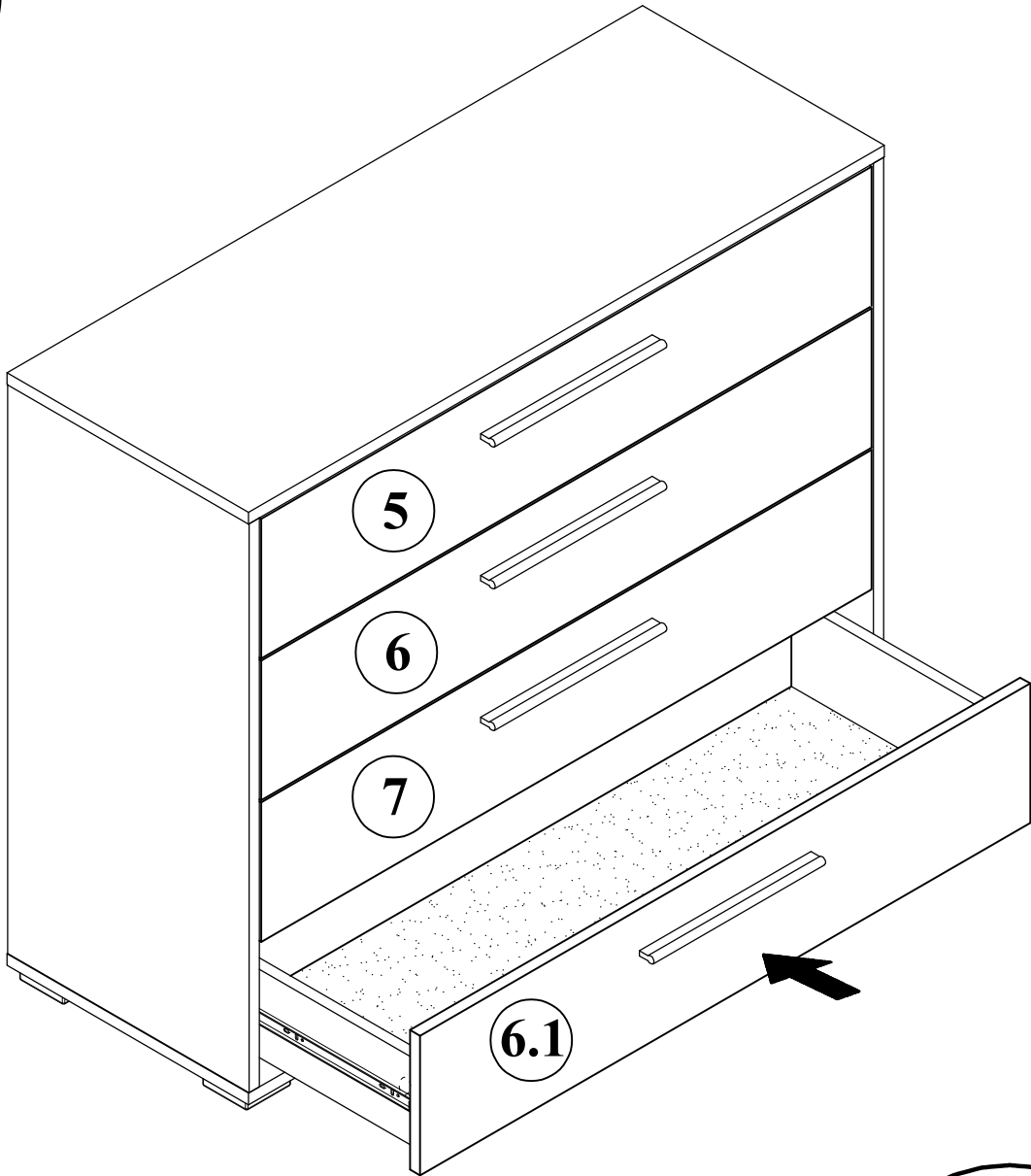


TWIST - TONY

chest of drawers 100

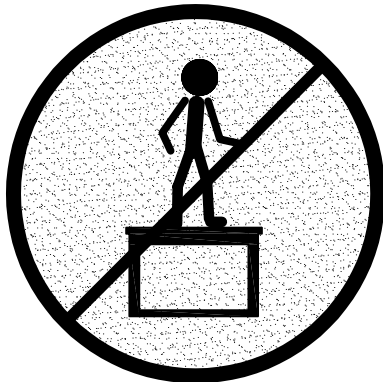
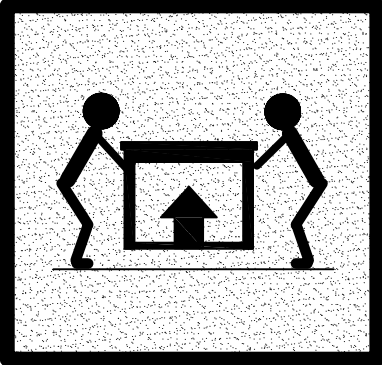
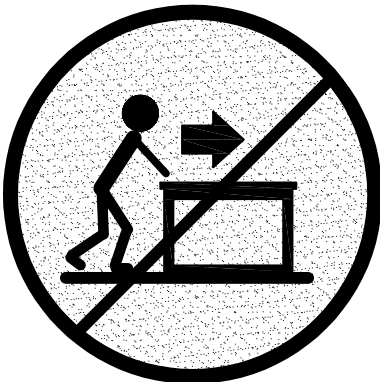
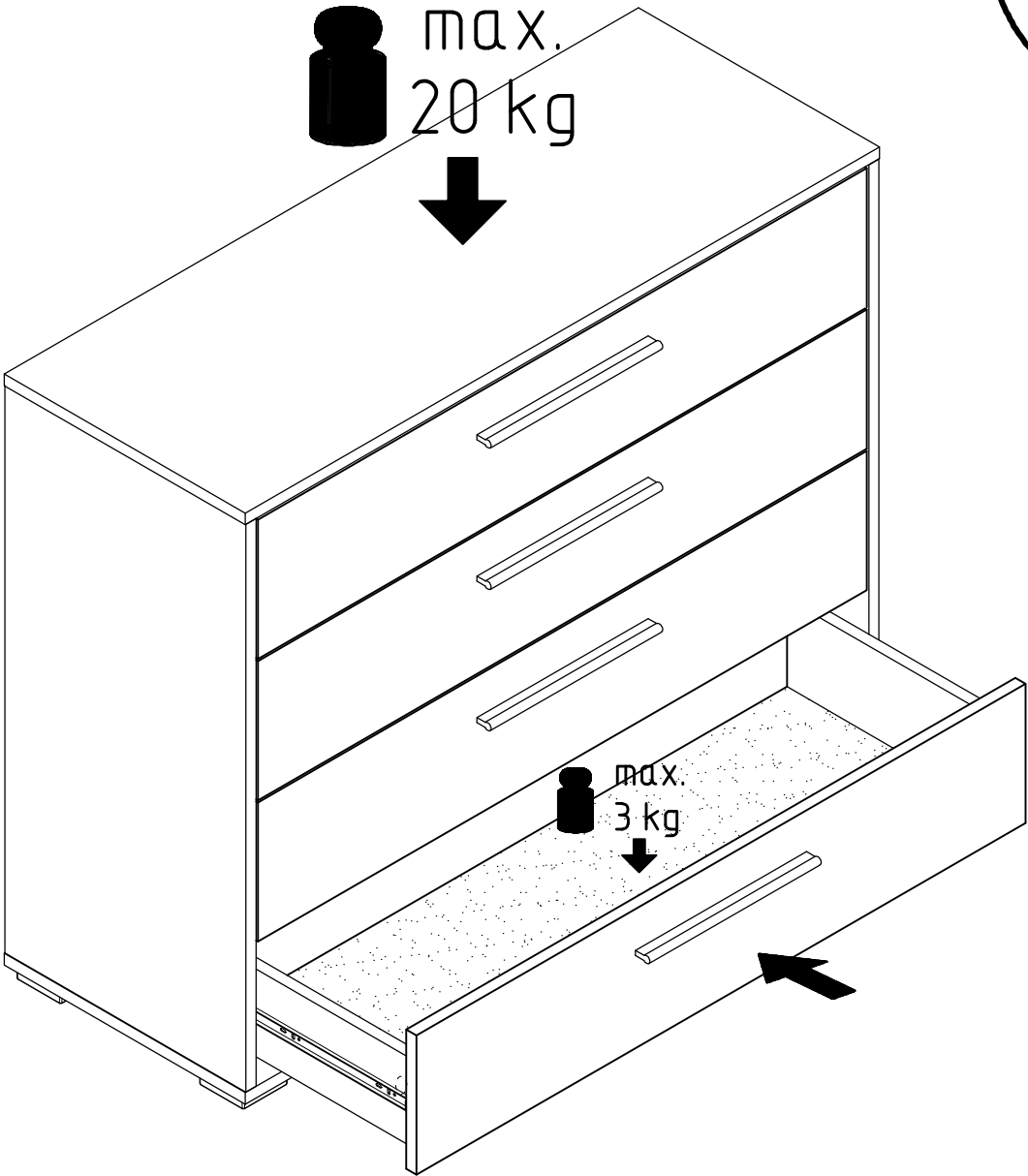
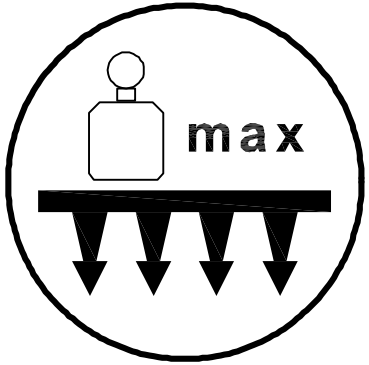
	
B	D
x12	ø20mm
	x16

9



TWIST - TONY

chest of drawers 100



TWIST - TONY

chest of drawers 100

