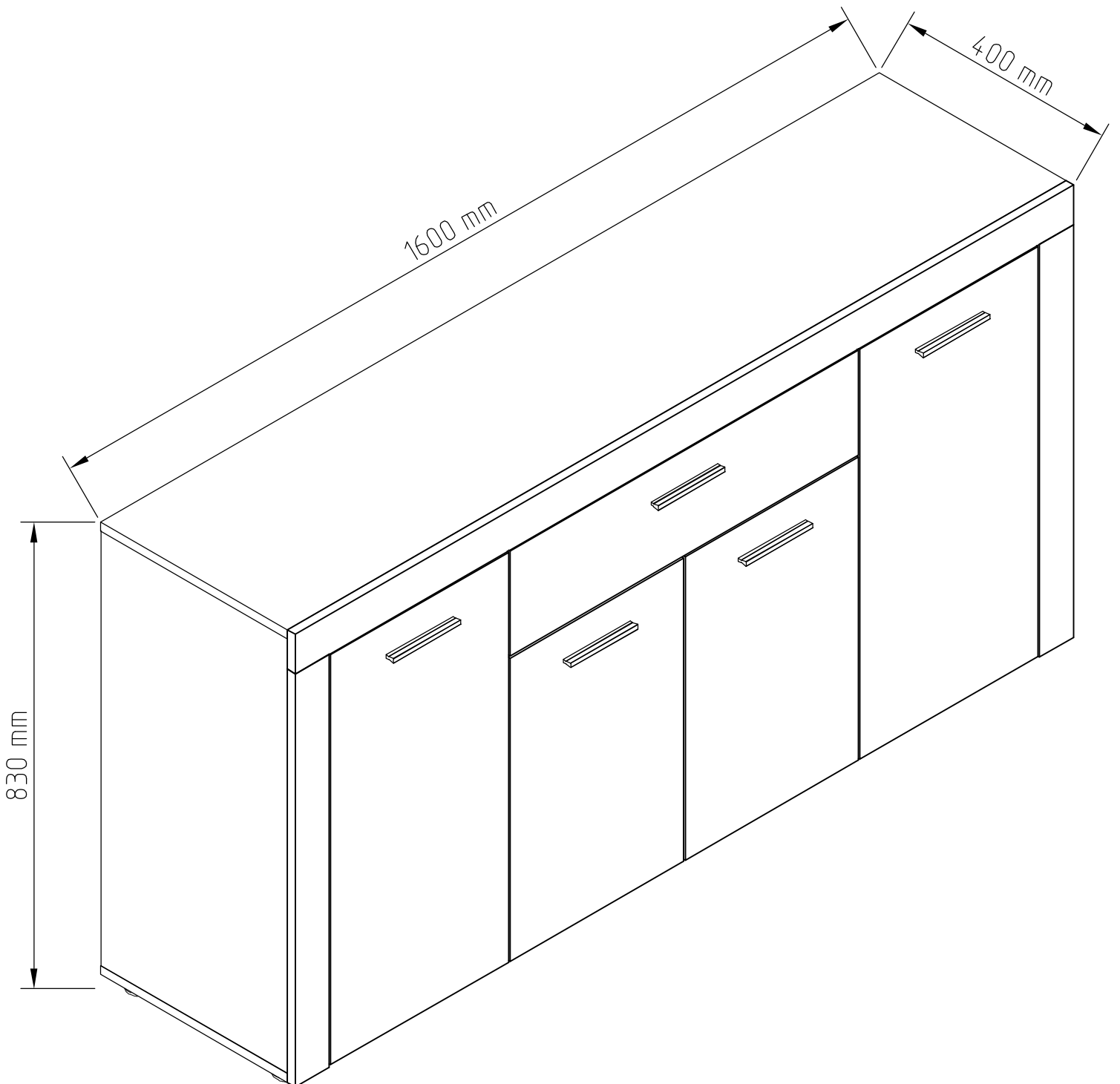


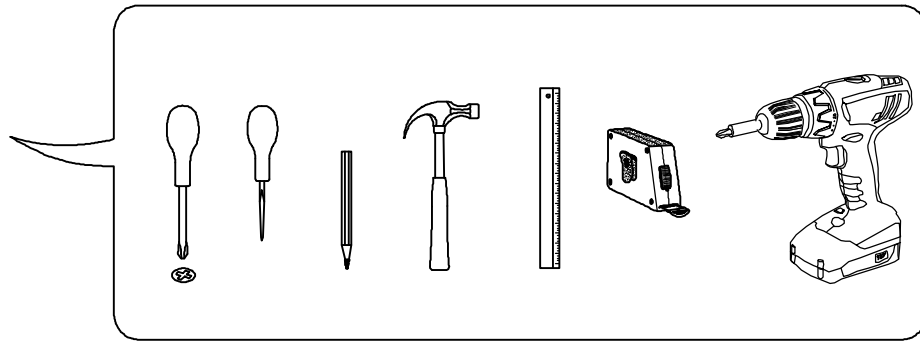
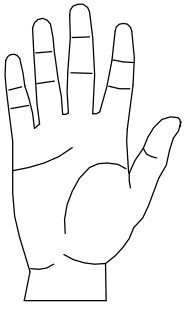
# HELEN

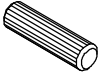

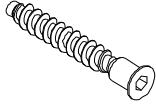
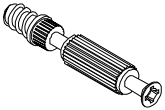

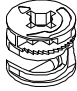

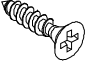


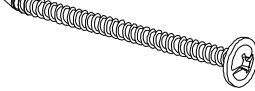

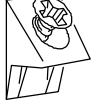
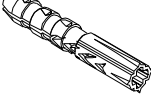
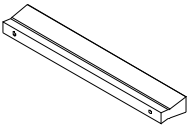
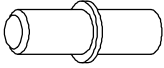
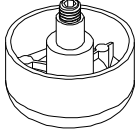
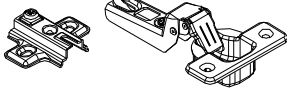
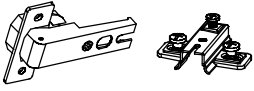
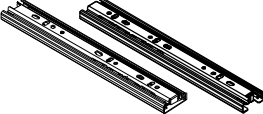


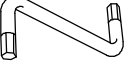
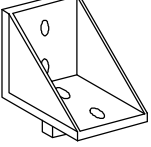
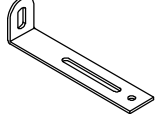

## chest of drawers 4D 1Dr



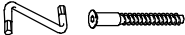
# HELEN

## chest of drawers 4D 1Dr



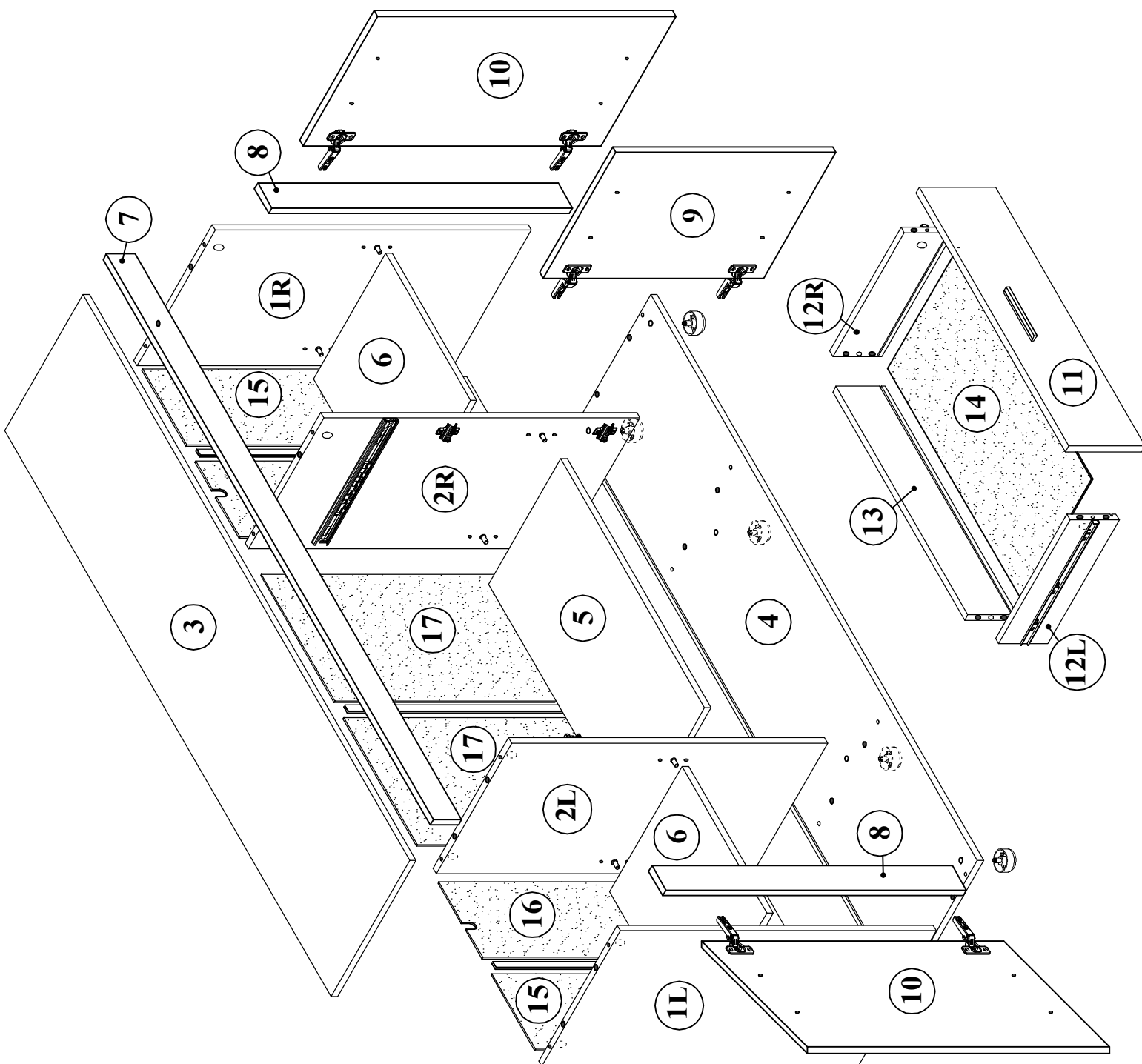
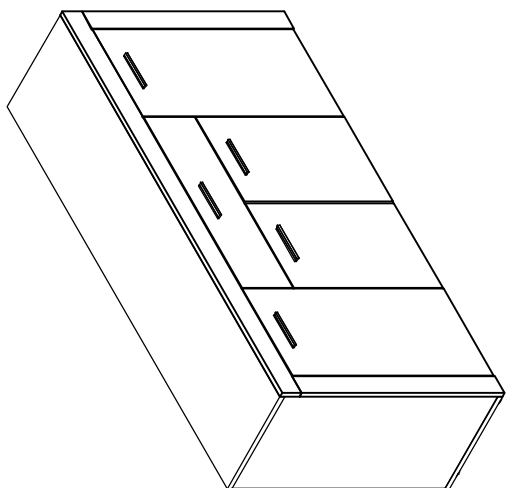
 <b>A1</b> 8*30mm x24	 <b>B</b> $\phi$ 12mm x10	 <b>B1</b> 6,3*50mm x10
 <b>C1</b> 6*43mm x10	 <b>D</b> $\phi$ 20mm x10	 <b>D1</b> 15/16 x10
 <b>E5</b> 3*20mm x4	 <b>E6</b> 3,5*16 x78	 <b>E14</b> 4*25mm x10
 <b>E-2</b> 4,2*16mm x4	 <b>E-5</b> 4,2*65mm x2	 <b>F4</b> 6,3*13mm x16
 <b>H2</b> RV-8 x18	 <b>H5</b> 8*50mm x2	 <b>I10</b> x5
 <b>J1</b> 5*16mm x12	 <b>K16</b> x6	 <b>L3</b> x4
 <b>L4</b> 180° x4	 <b>M2</b> L-350mm x1	 <b>O1</b> x4
 <b>O8</b> L-772 mm x3	 <b>R4</b> N°4 x1	 <b>S13</b> x12
 <b>S16</b> 260.54.900 x2	 <b>U3</b> x8	

# HELEN chest of drawers 4D 1Dr

No	a*b	x	N°→...
1L	774x384	x1	2/3
1R	774x384	x1	2/3
2L	774x370	x1	2/3
2R	774x370	x1	2/3
3	1600x384	x1	1/3
4	1600x384	x1	1/3
5	703x360	x1	1/3
6	414x360	x2	1/3
7	1600x70	x1	1/3
8	736x70	x2	3/3
9	356x540	x2	1/3
10	366x730	x2	3/3
11	716x187	x1	3/3
12L	350x120	x1	3/3
12R	350x120	x1	3/3
13	646x120	x1	3/3
14	655x343	x1	1/3
15	783x214	x2	1/3
16	783x214	x2	1/3
17	783x359	x2	1/3
		x1	3/3

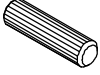
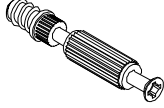
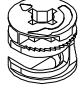
# HELEN

chest of drawers 4D 1Dr

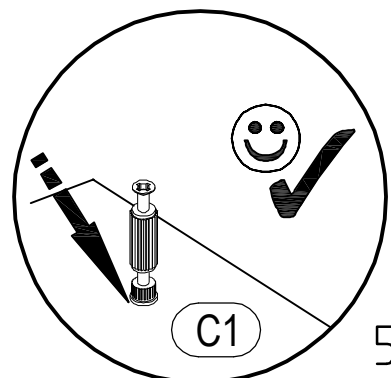
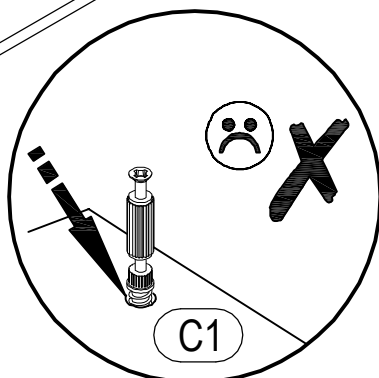
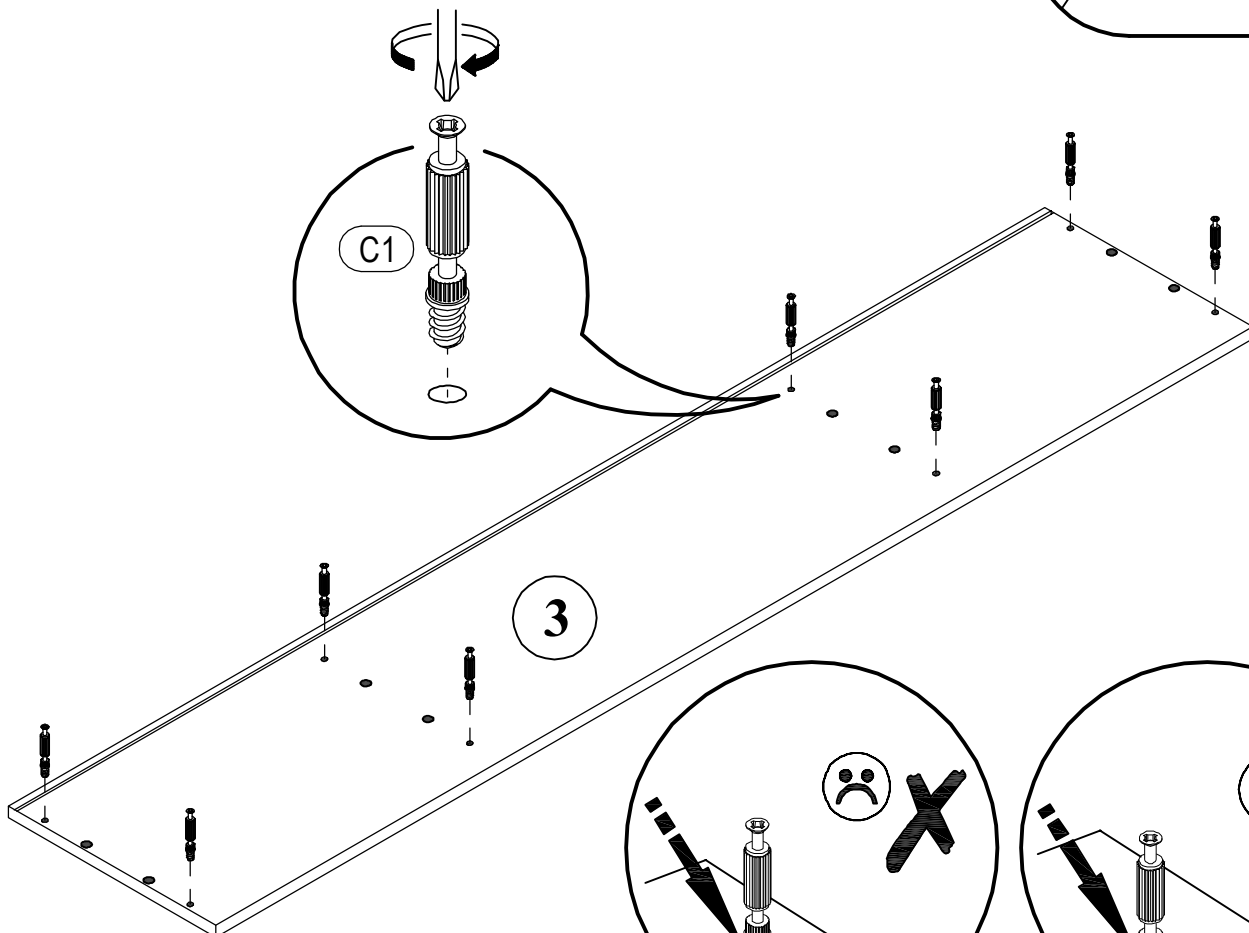
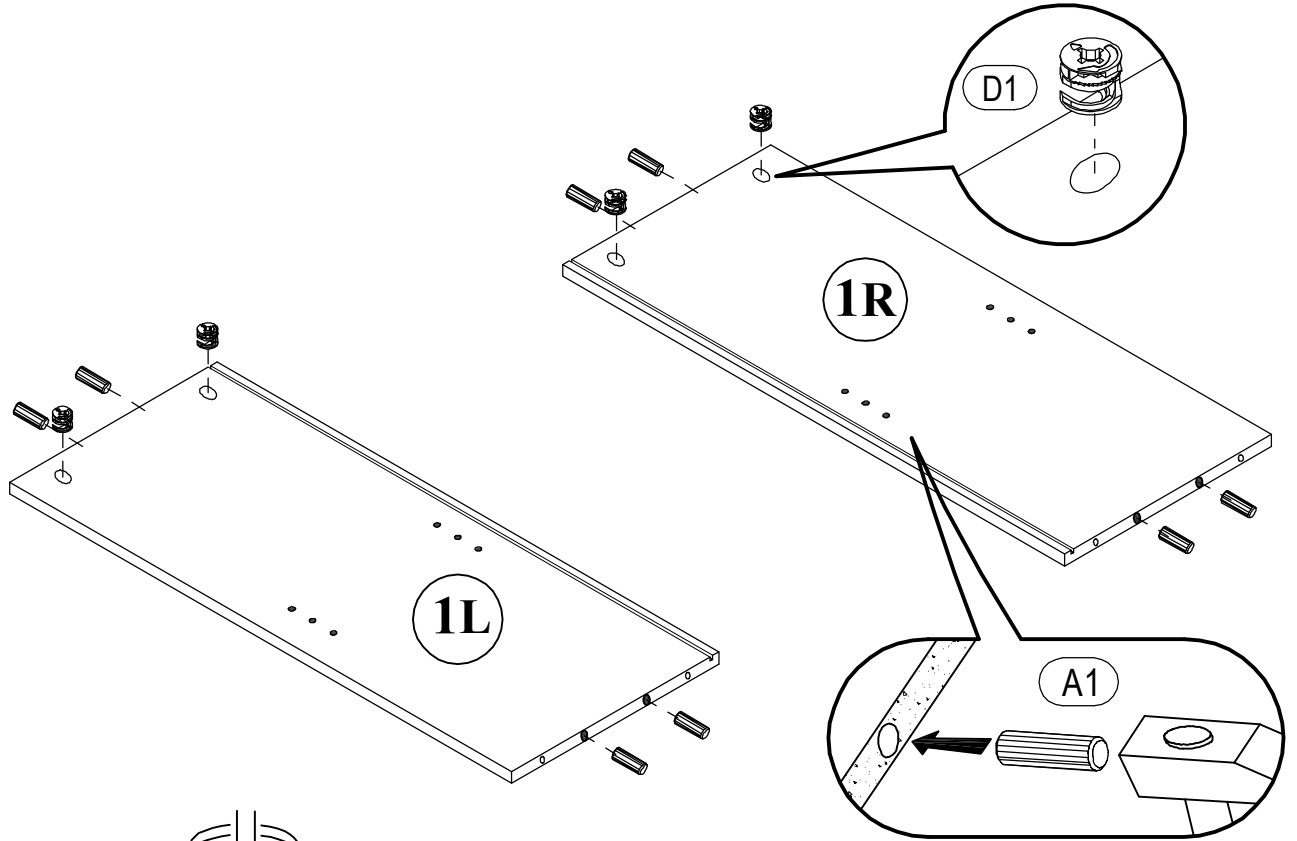


# HELEN

chest of drawers 4D 1Dr

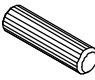
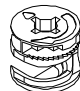

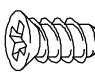
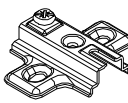
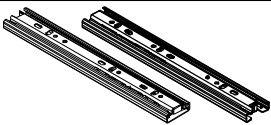
 (A1) 8*30mm x8	 (C1) 6*43mm x8	 (D1) 15/16 x4
---	---	--

# 1

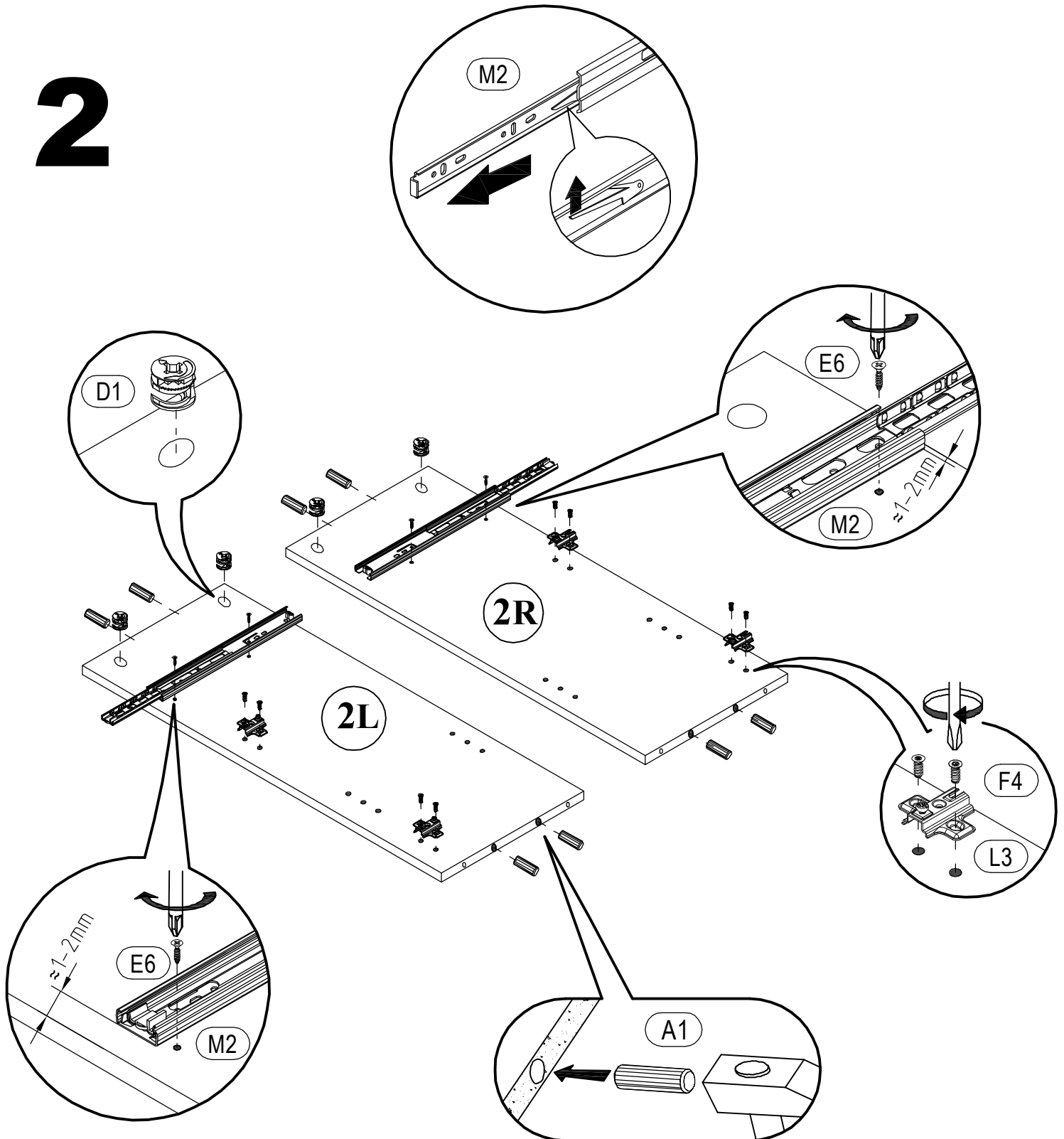


# HELEN

## chest of drawers 4D 1Dr

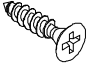

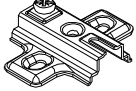
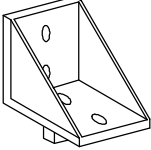
 <p>A1 8*30mm x8</p>	 <p>D1 15/16 x4</p>	 <p>E6 3,5*16 x4</p>
 <p>F4 6,3*13mm x8</p>	 <p>L3 x4</p>	 <p>M2 L-350mm x1</p>

# 2

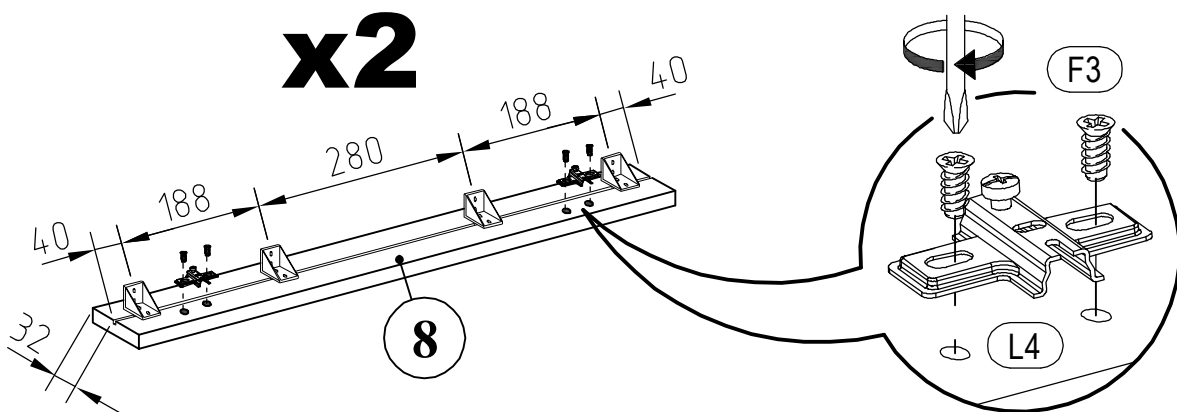
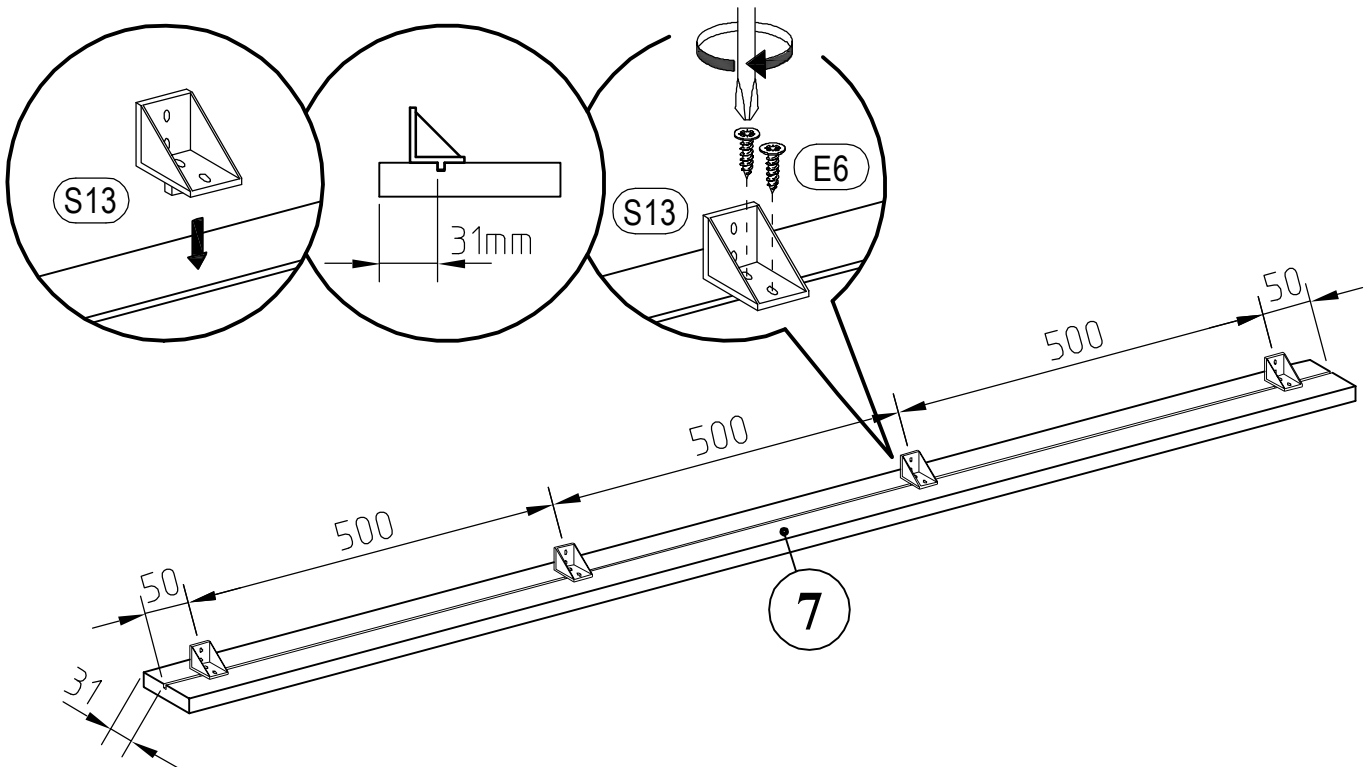


# HELEN

## chest of drawers 4D 1Dr

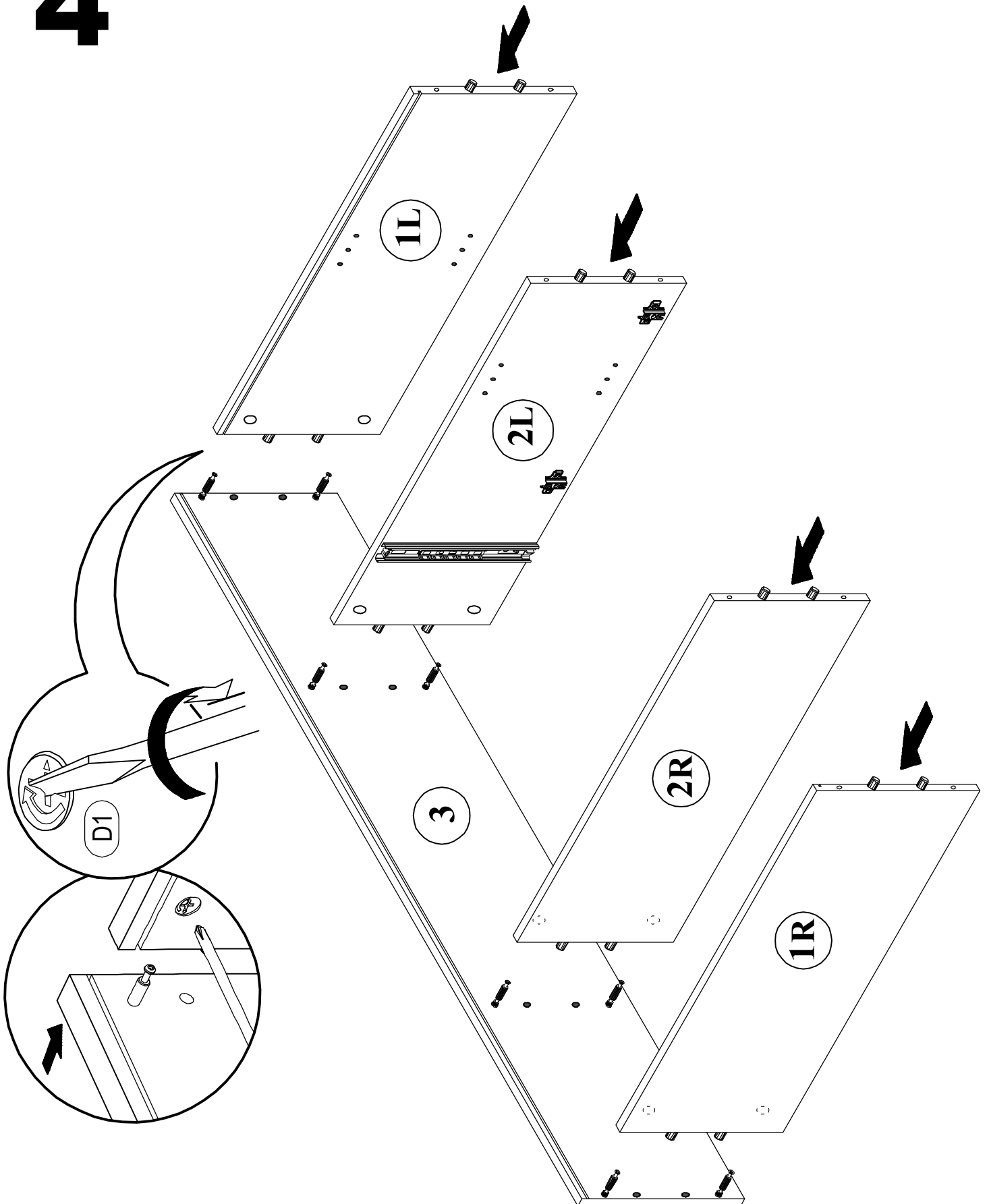
 <b>E6</b> 3,5*16 x24	 <b>F4</b> 6,3*13mm x8	 <b>L4</b> x4
		 <b>S13</b> x12

# 3



**HELEN**  
chest of drawers 4D 1Dr

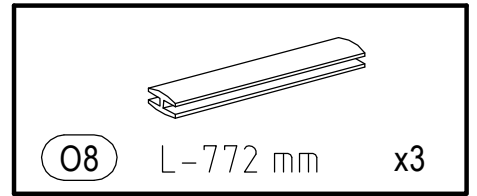
**4**



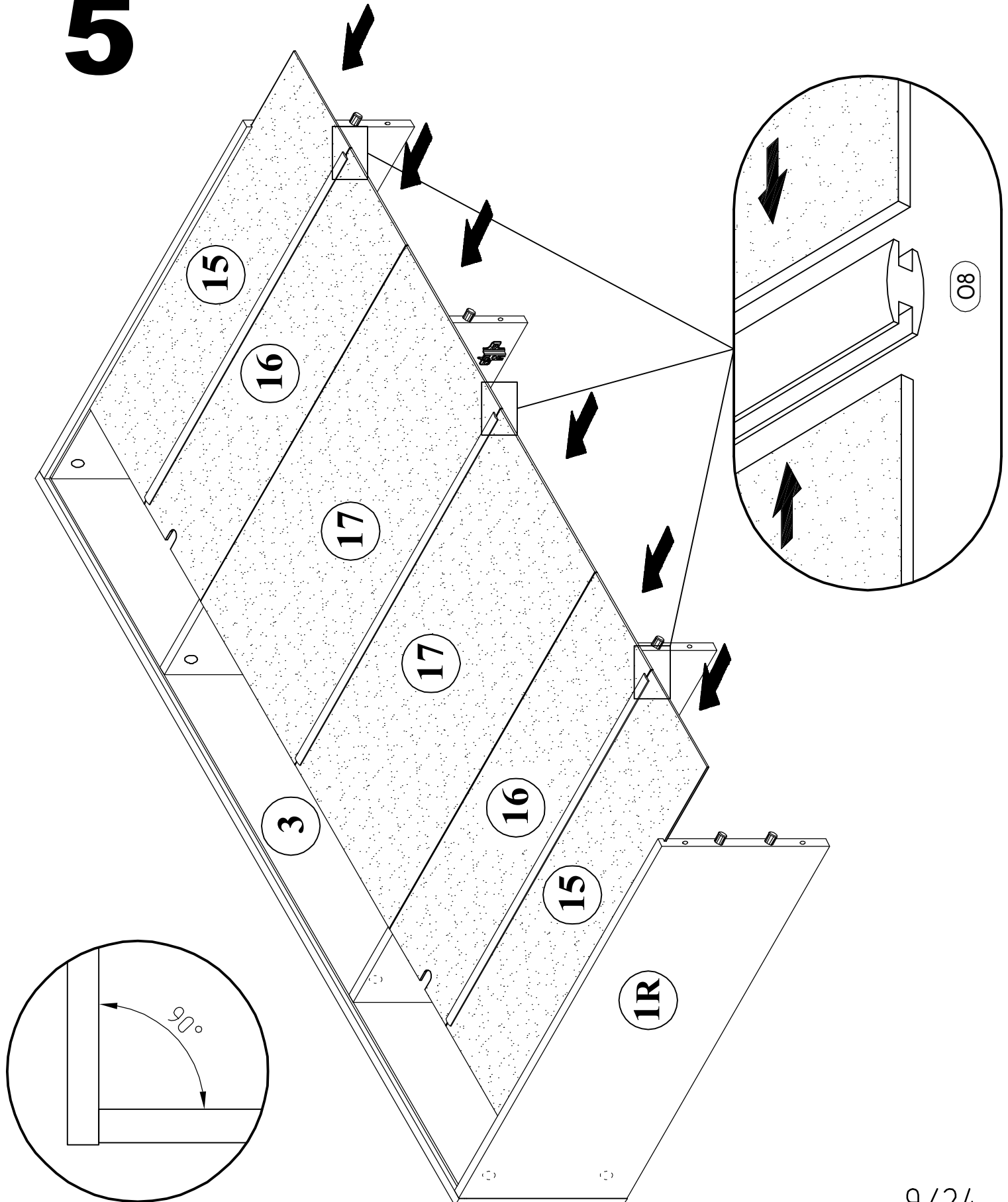


# HELEN

chest of drawers 4D 1Dr

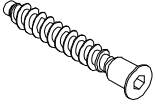
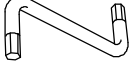


# 5

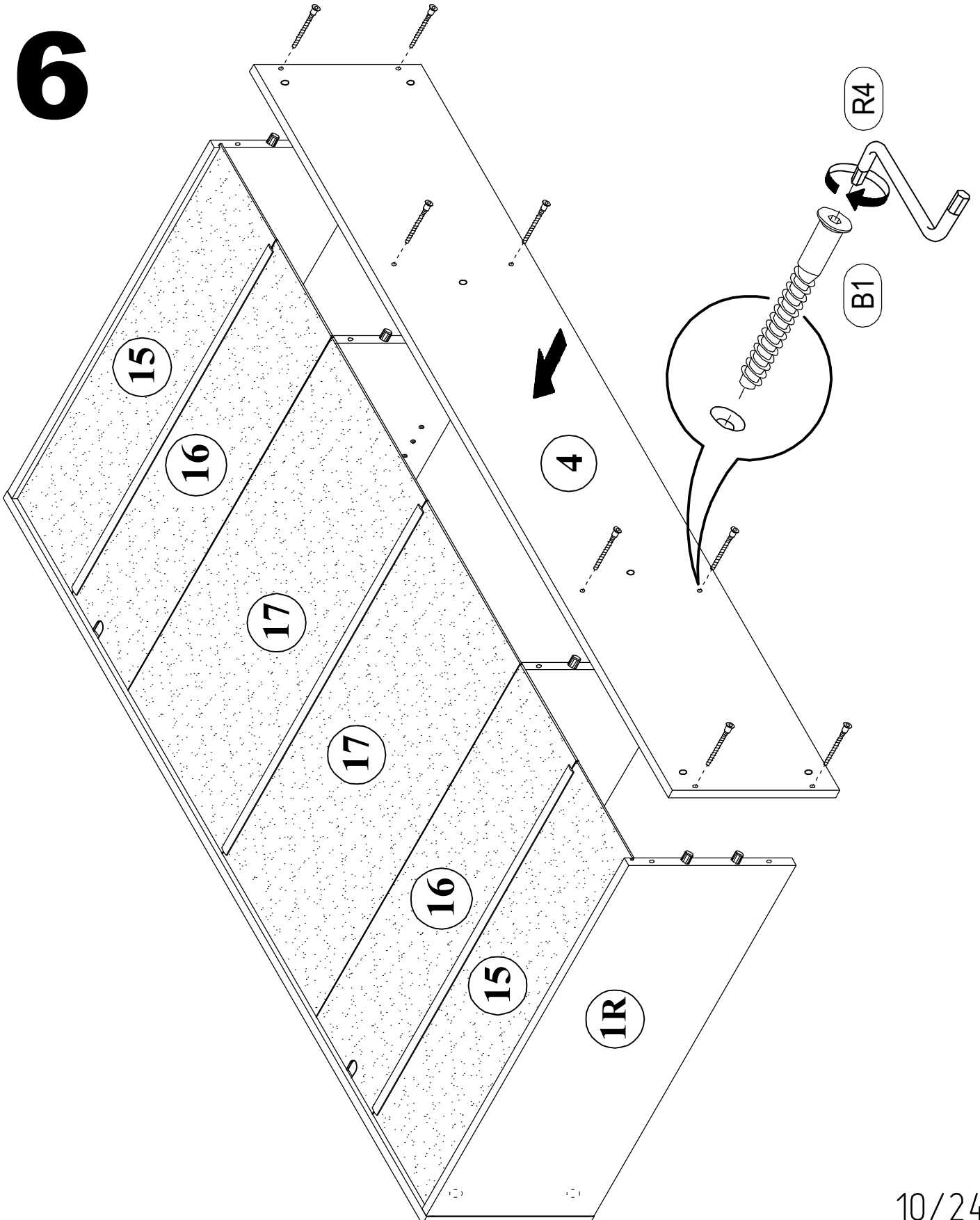


# HELEN

## chest of drawers 4D 1Dr


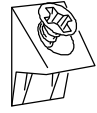
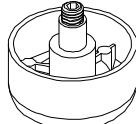

	
<b>B1</b> 6,3*50mm x10	<b>R4</b> N°4 x1

# 6

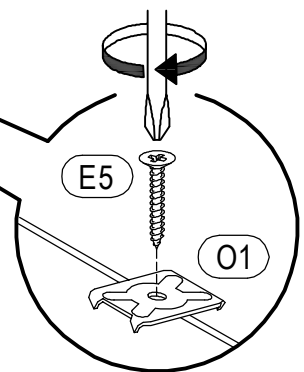
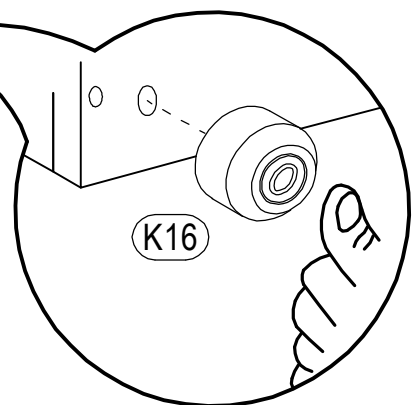
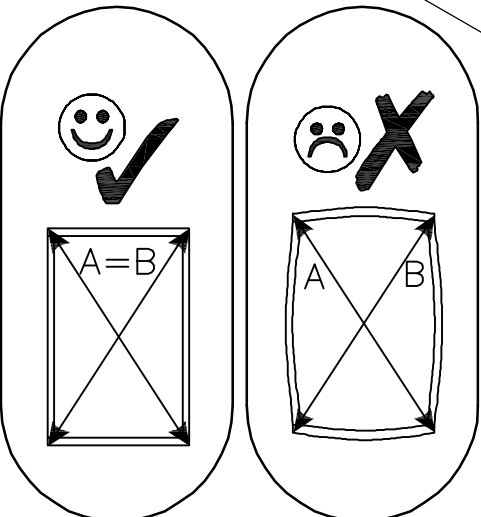
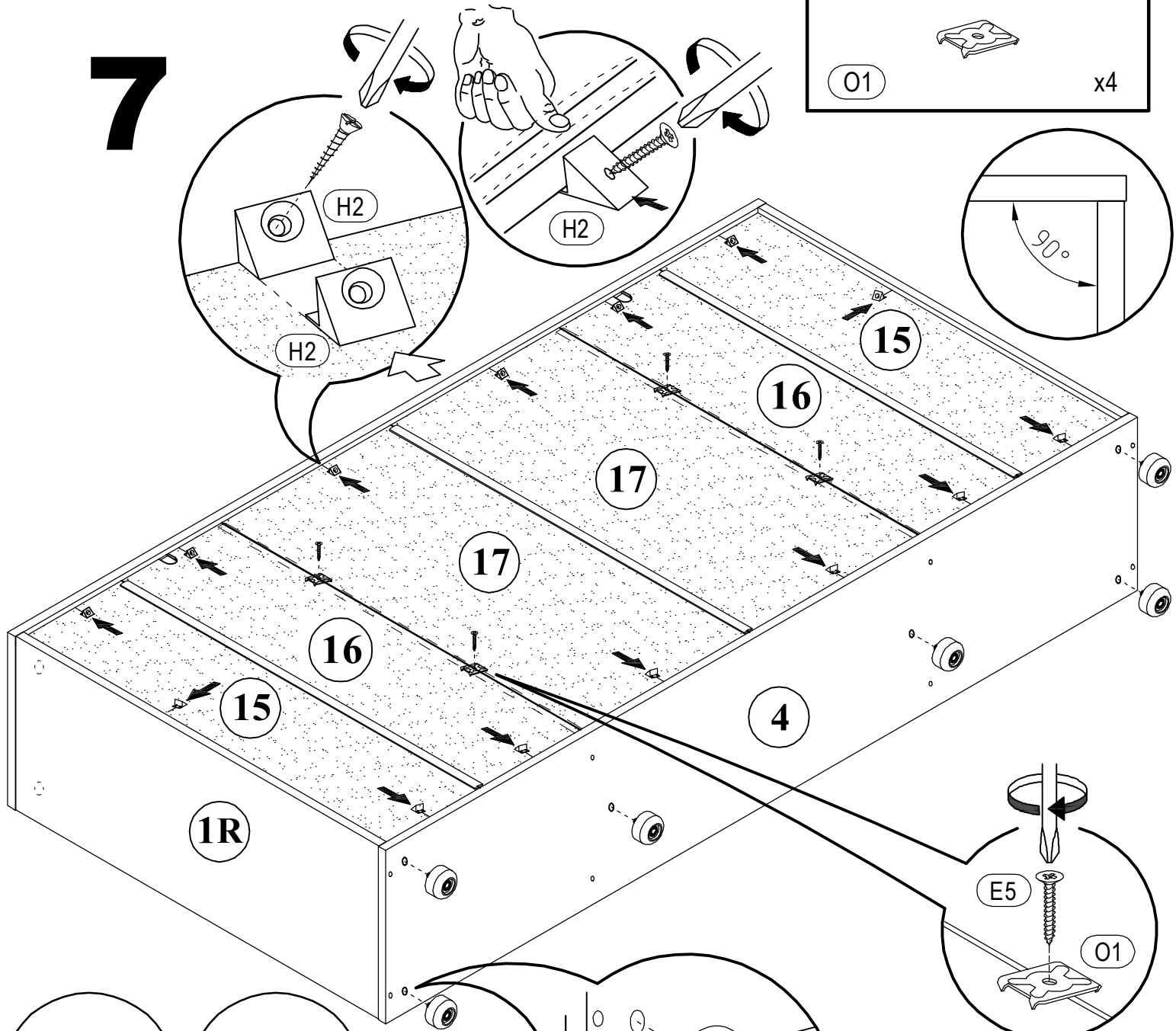


# HELEN

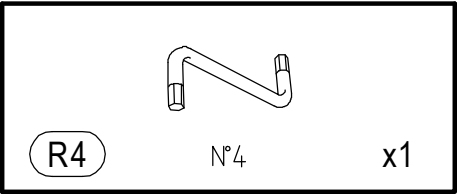
## chest of drawers 4D 1Dr

 <b>(E5)</b> 3*20mm x4	 <b>(H2)</b> RV-8 x14	 <b>(K16)</b> x6
		 <b>(O1)</b> x4

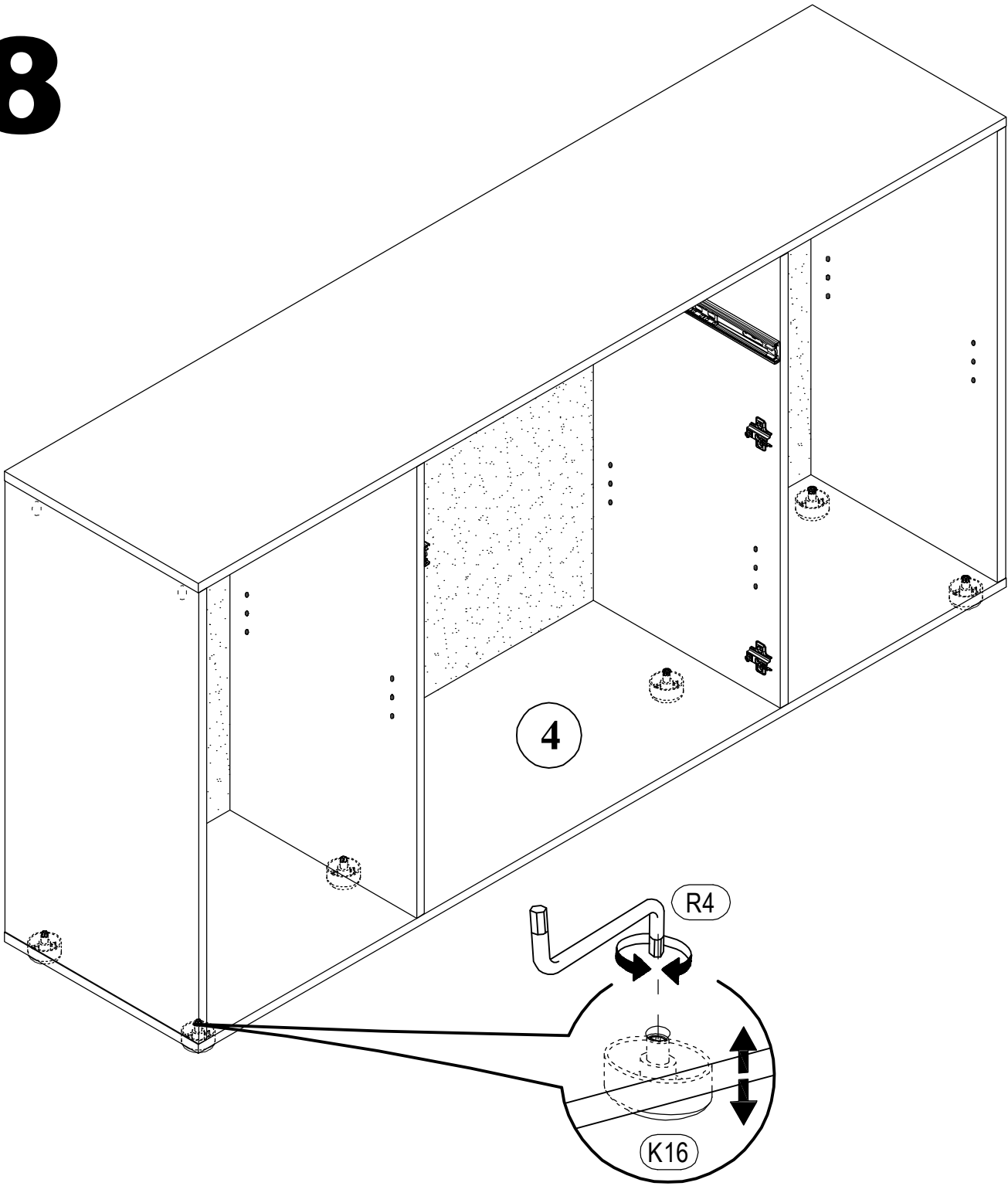
# 7



**HELEN**  
**chest of drawers 4D 1Dr**


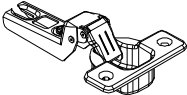
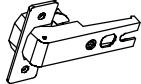


**8**

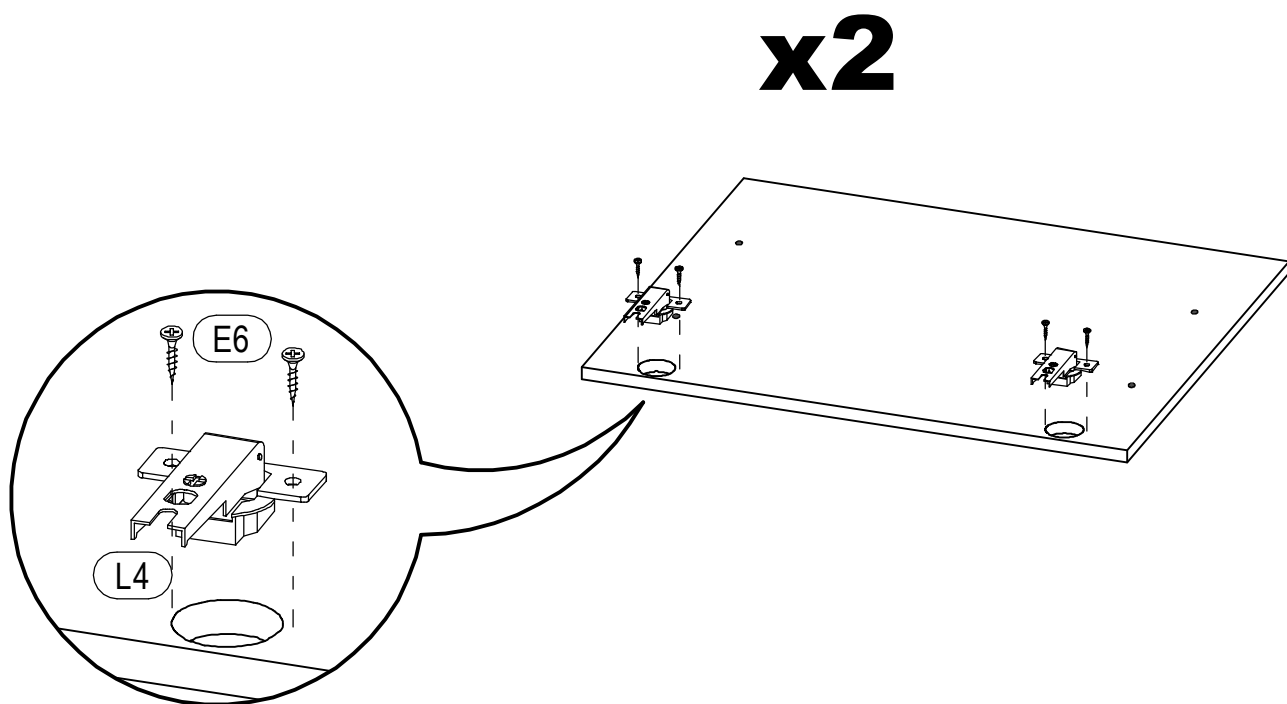
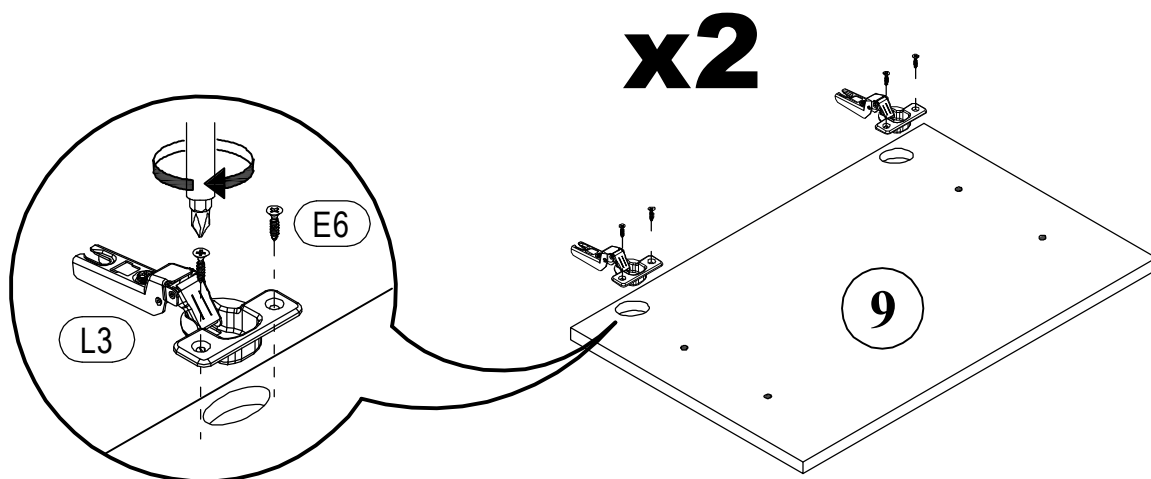


# HELEN

## chest of drawers 4D 1Dr


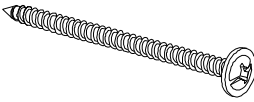
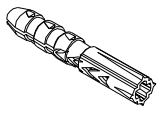
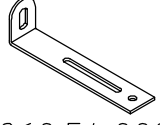
 E6 3,5*16 x16	 L3 x4	 L4 180° x4
--	--	---

# 9

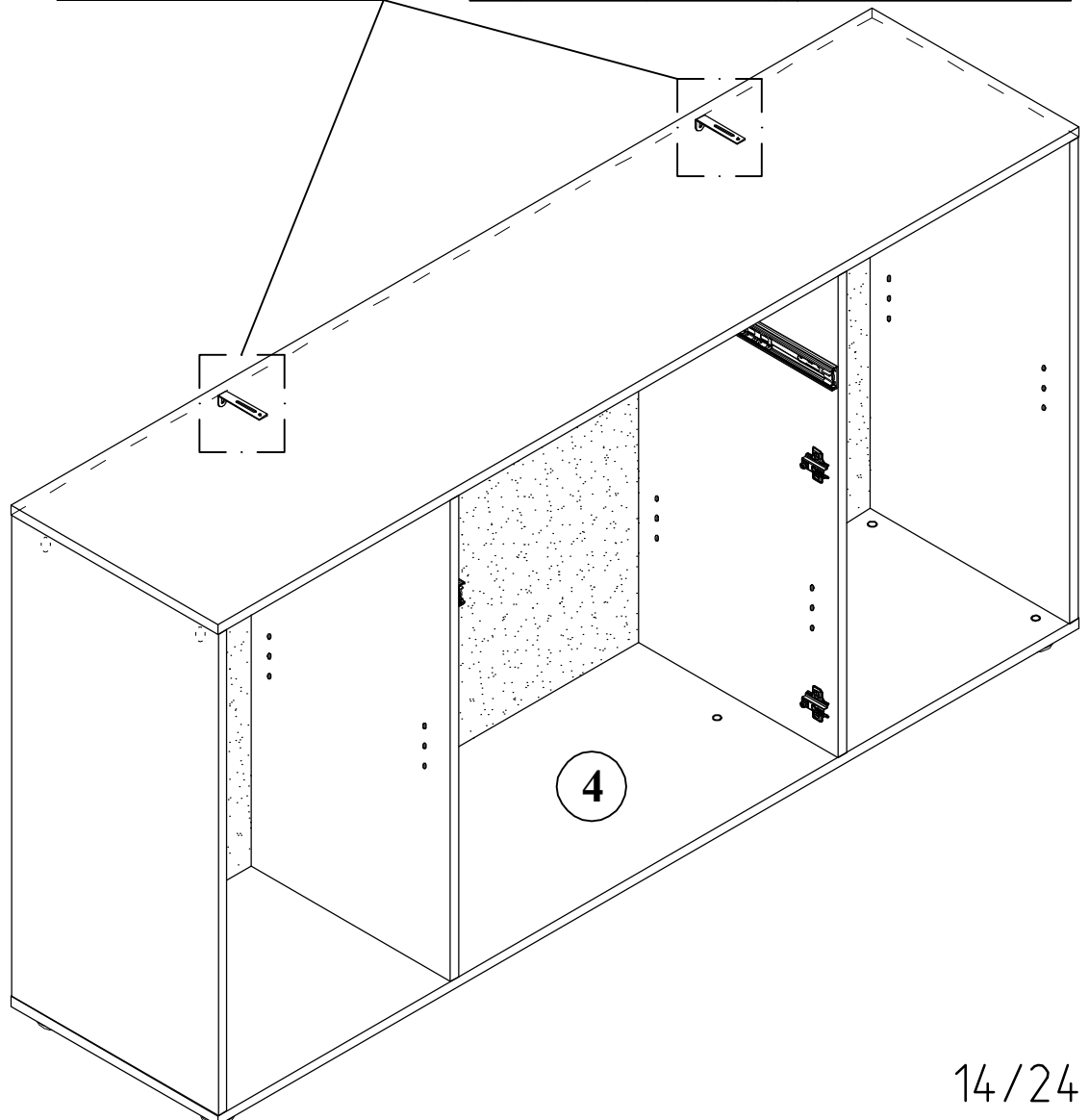
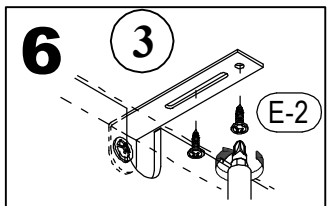
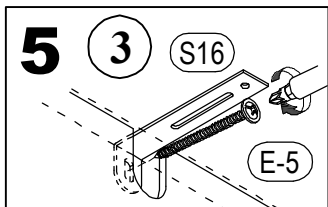
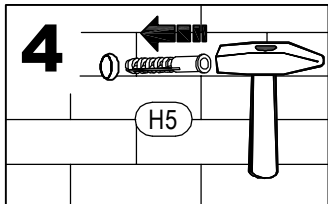
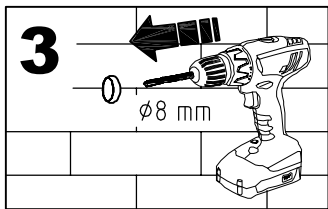
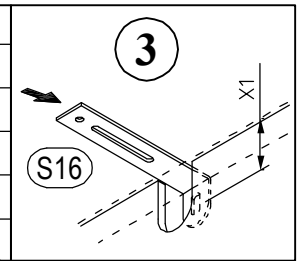
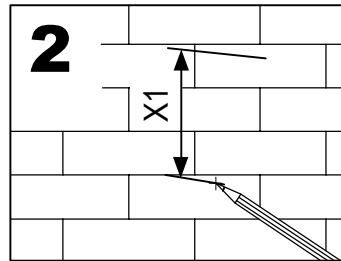
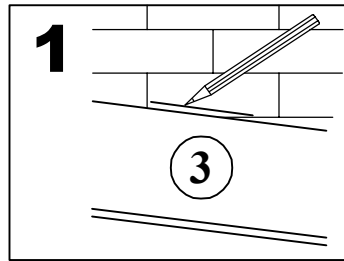
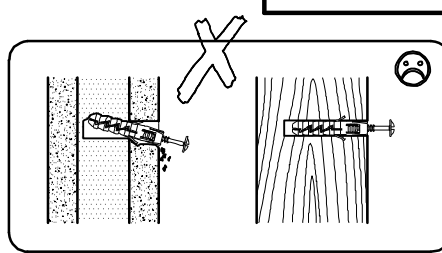
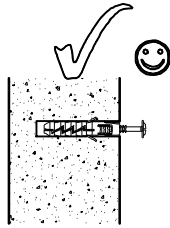


# HELEN

## chest of drawers 4D 1Dr

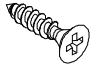
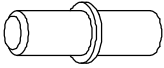

 <b>(E-2)</b> 4,2*16mm x4	 <b>(E-5)</b> 4,2*65mm x2	 <b>(H5)</b> 8*50mm x2
		 <b>(S16)</b> 260.54.900 x2

# 10

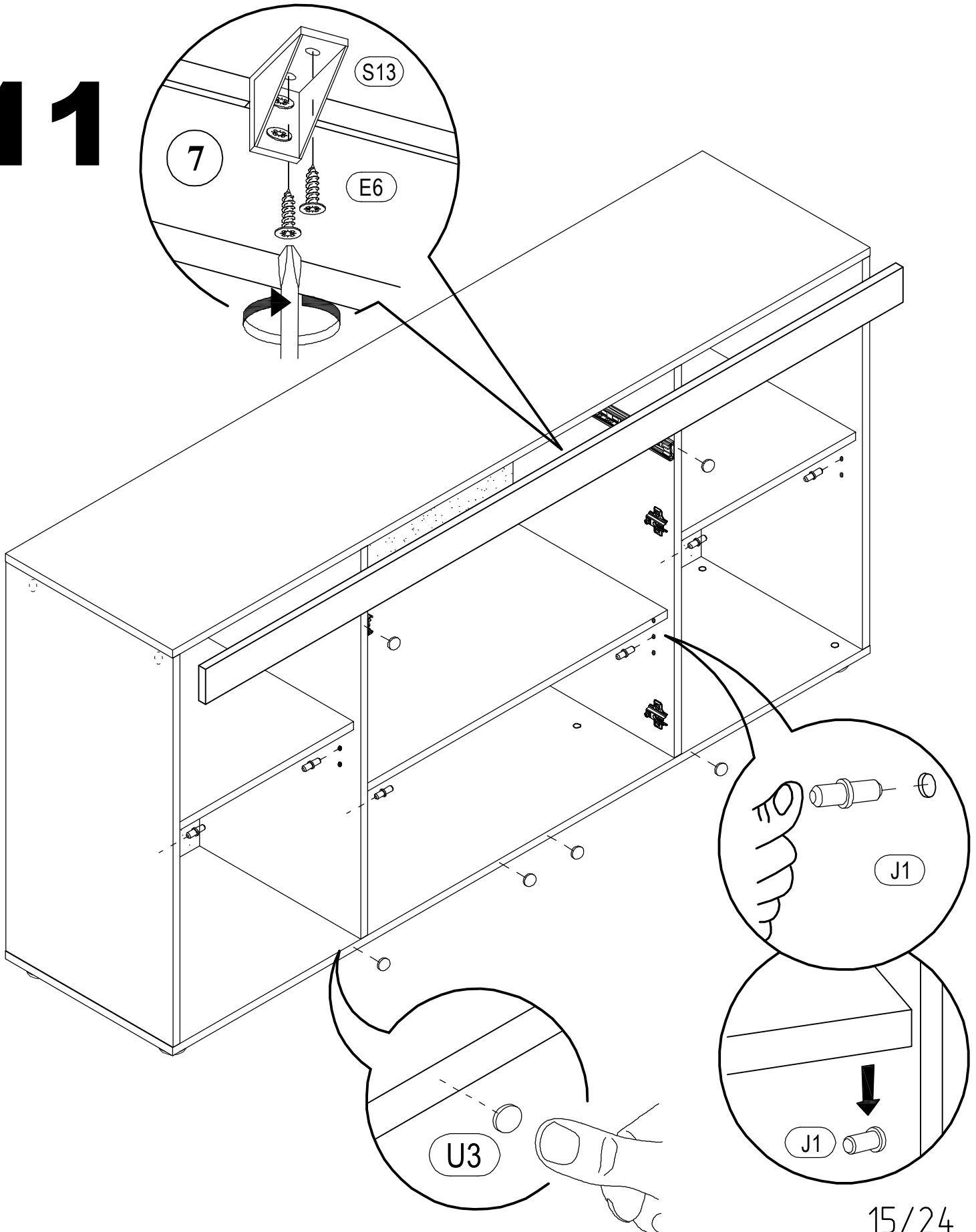


# HELEN

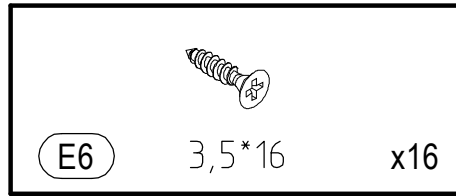
## chest of drawers 4D 1Dr

 E6 3,5*16 x8	 J1 5*16mm x12	 U3 x8
---	--	--

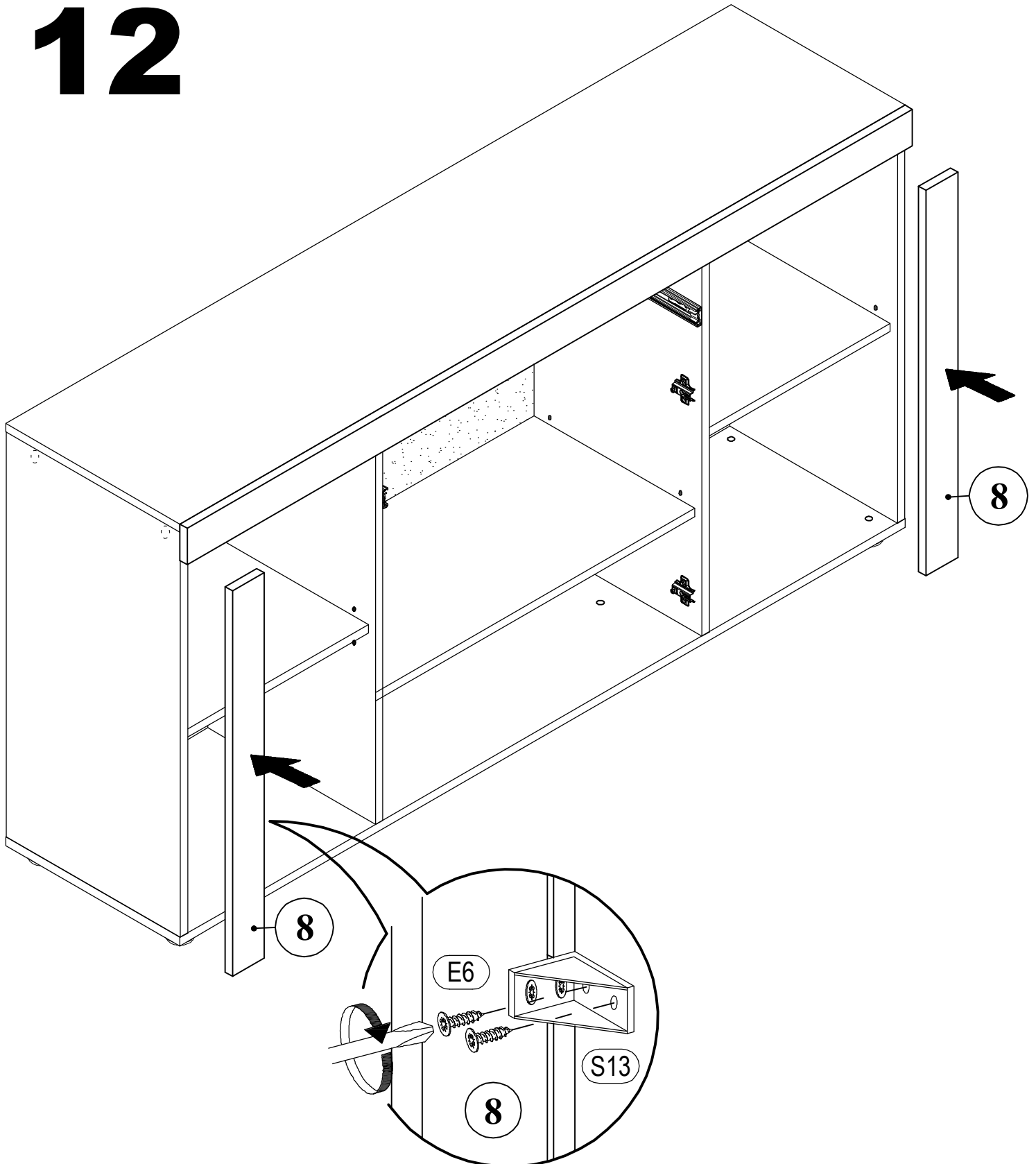
# 11



**HELEN**  
**chest of drawers 4D 1Dr**




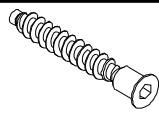
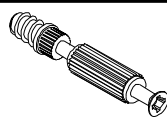
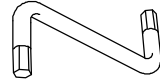
**12**



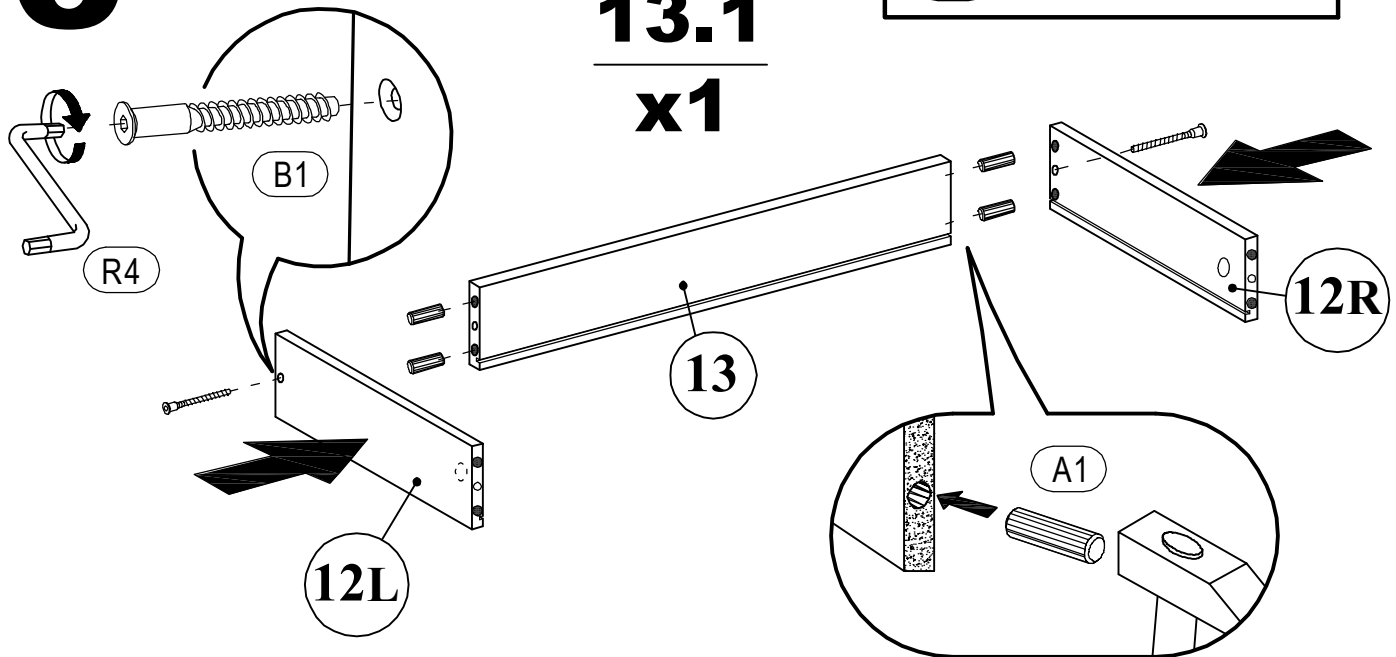


# HELEN

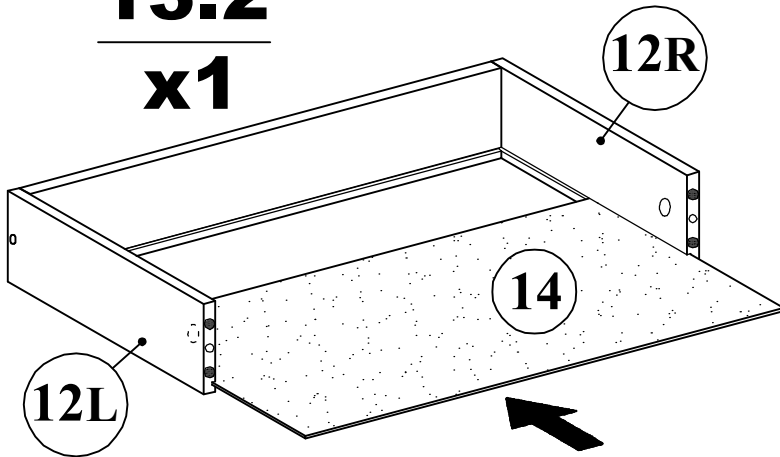
## chest of drawers 4D 1Dr

 <b>A1</b> 8*30mm x4	 <b>B1</b> 6,3*50mm x2	 <b>C1</b> 6*43mm x2
		 <b>R4</b> N°4 x1

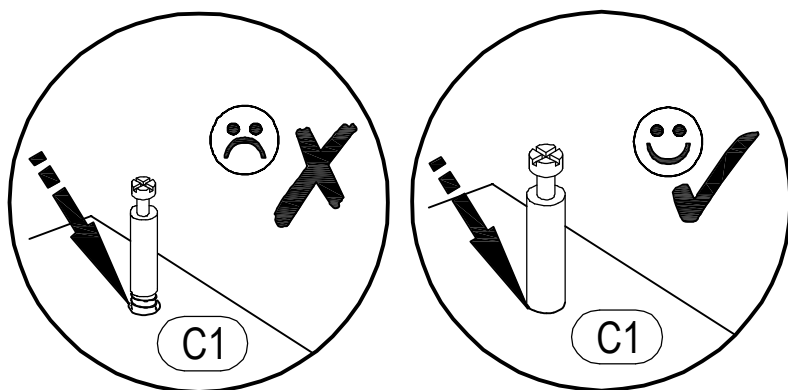
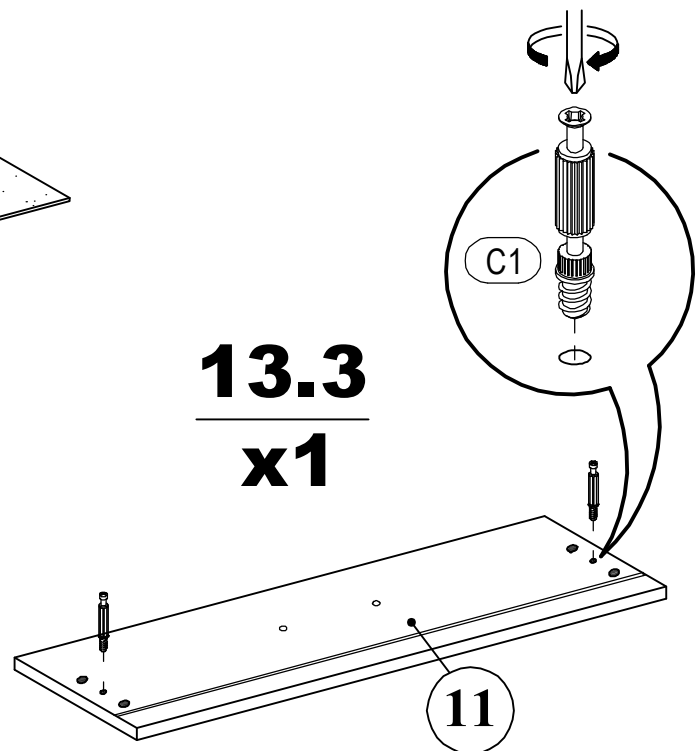
# 13



**13.2**  
**x1**


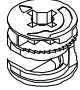
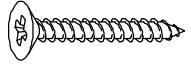
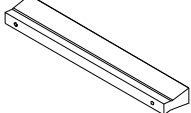


**13.3**  
**x1**



# HELEN

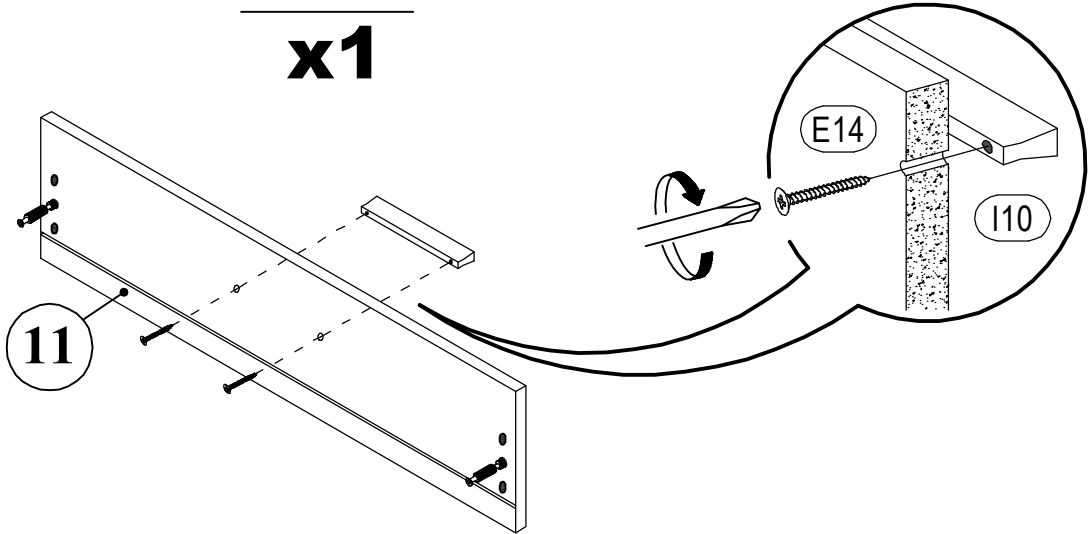
## chest of drawers 4D 1Dr

 <b>A1</b> 8*30mm x4	 <b>D1</b> 15/16 x2	 <b>E14</b> 4*25mm x2
		 <b>I10</b> x1

# 13

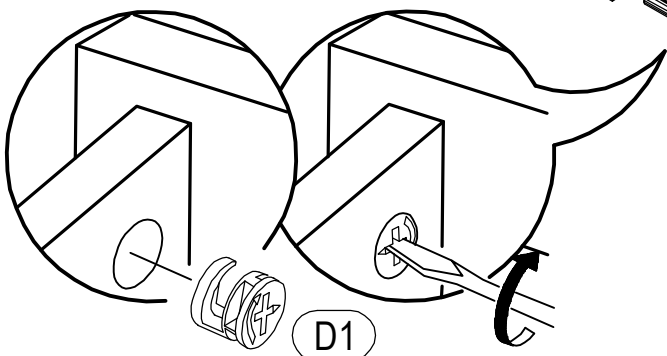
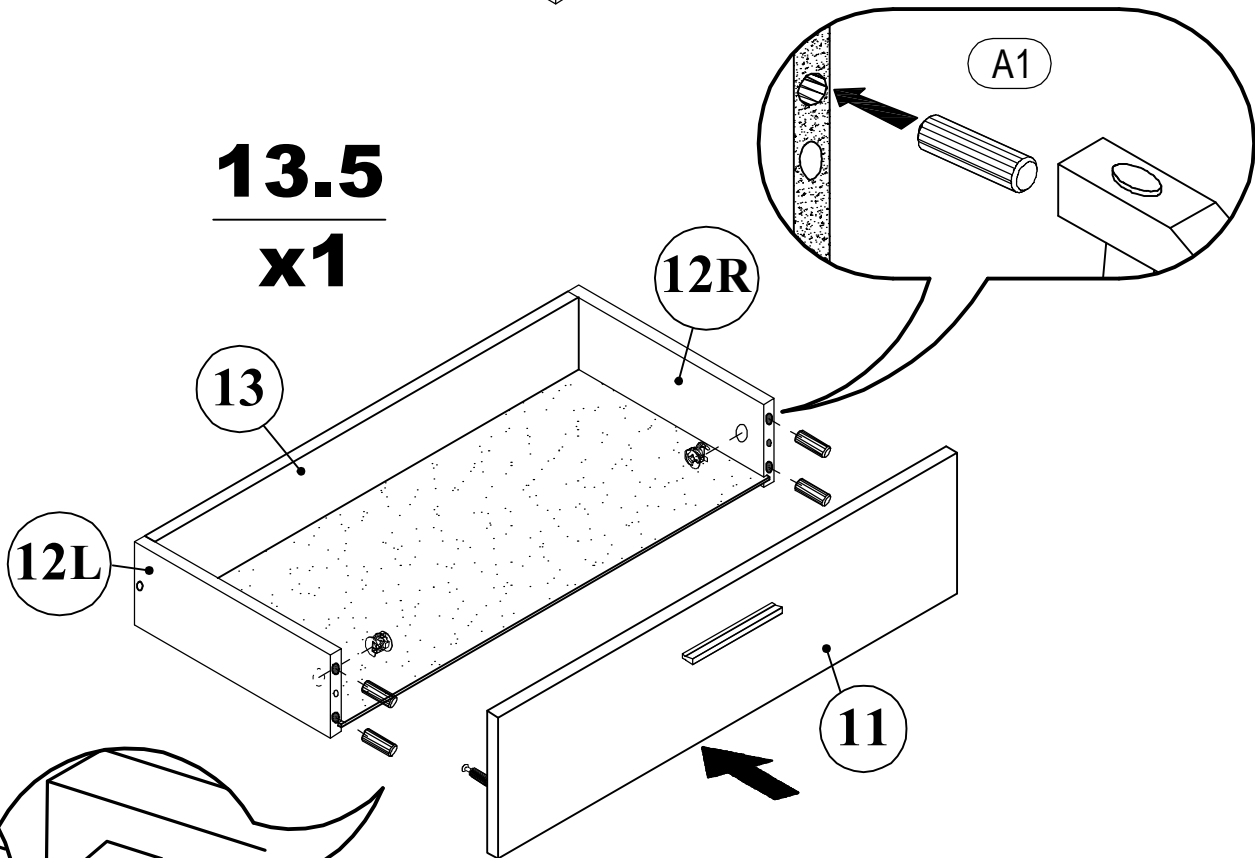
## 13.4

### x1



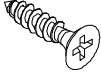

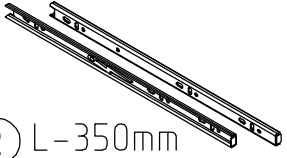
## 13.5

### x1

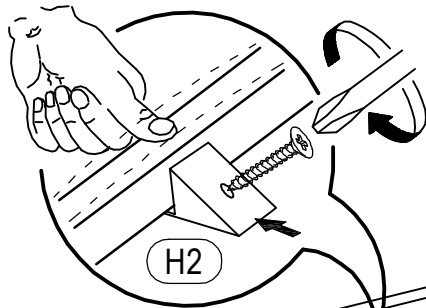


# HELEN

## chest of drawers 4D 1Dr

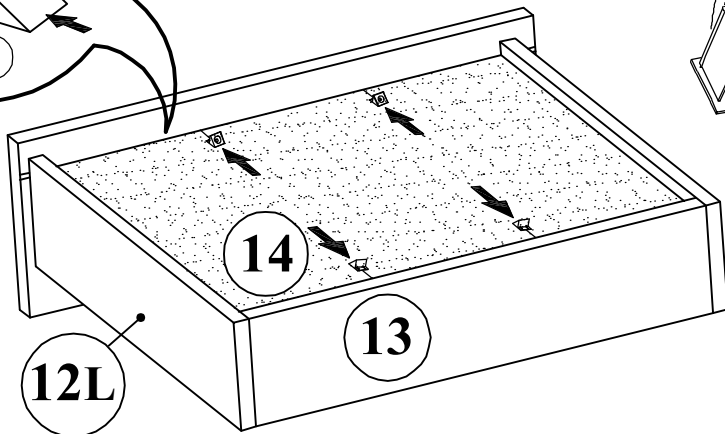
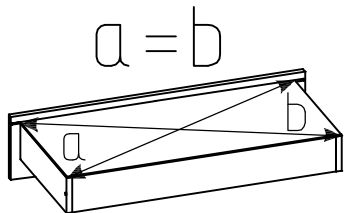
 <b>E6</b> 3,5*16mm x4	 <b>H2</b> RV-8 x4	 <b>M2</b> L-350mm x1
--	--	---

# 13



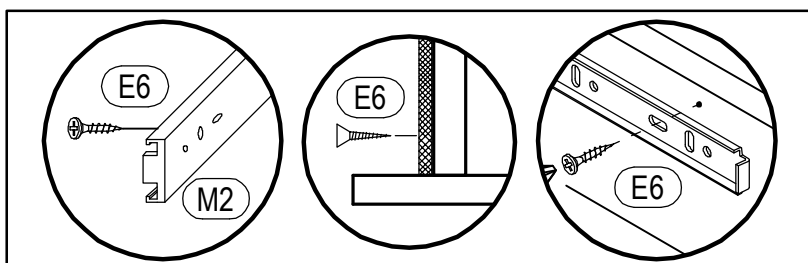
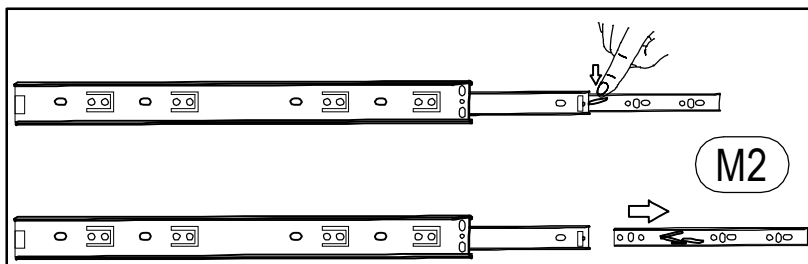
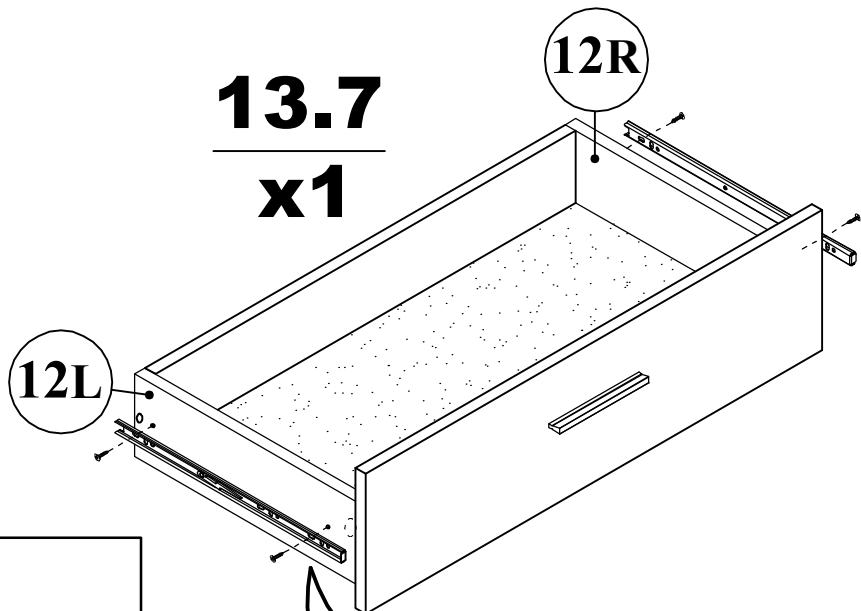
## 13.6

### x1



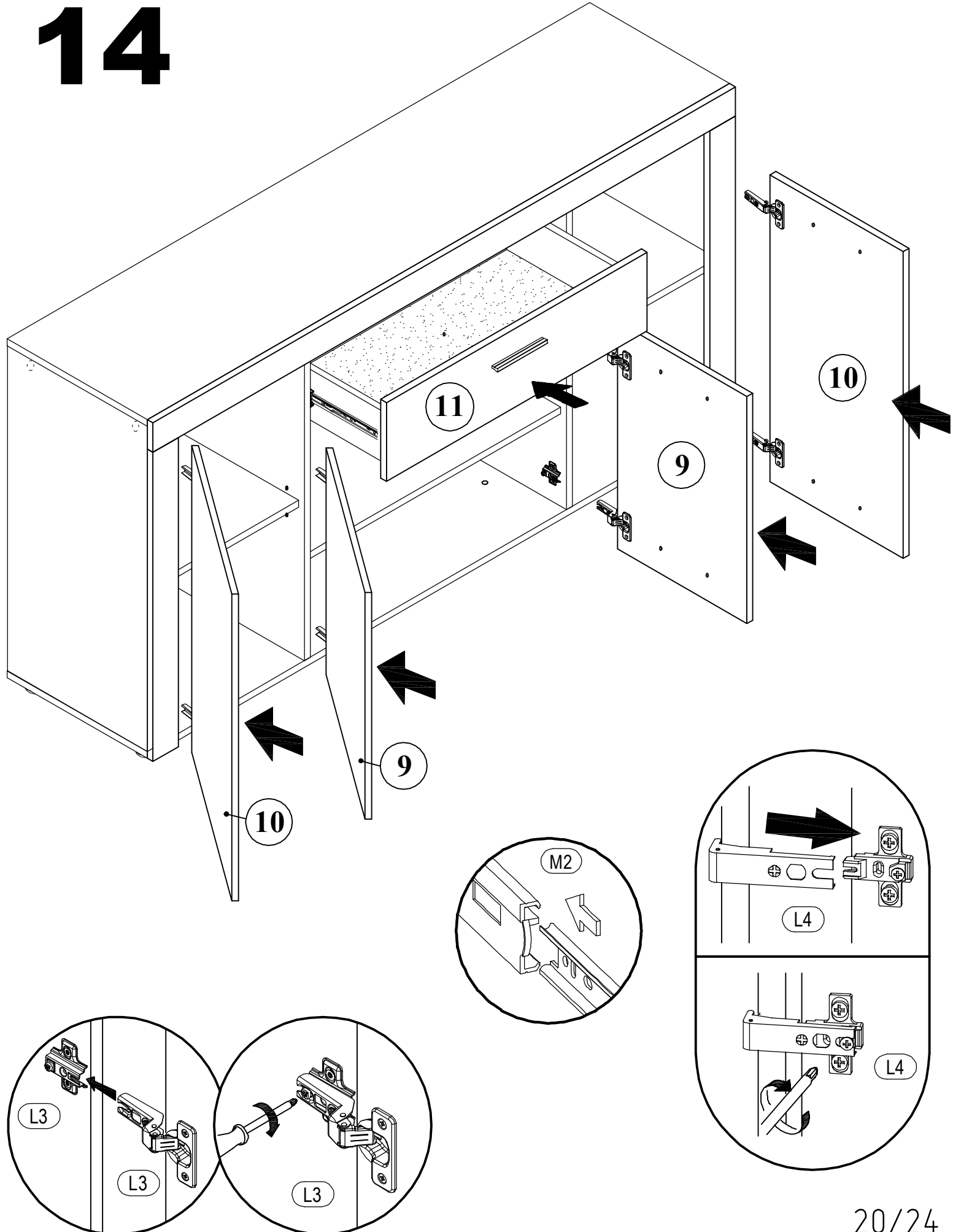
## 13.7

### x1





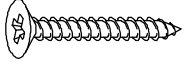
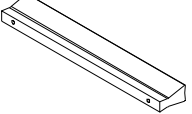
**HELEN**  
chest of drawers 4D 1Dr

14

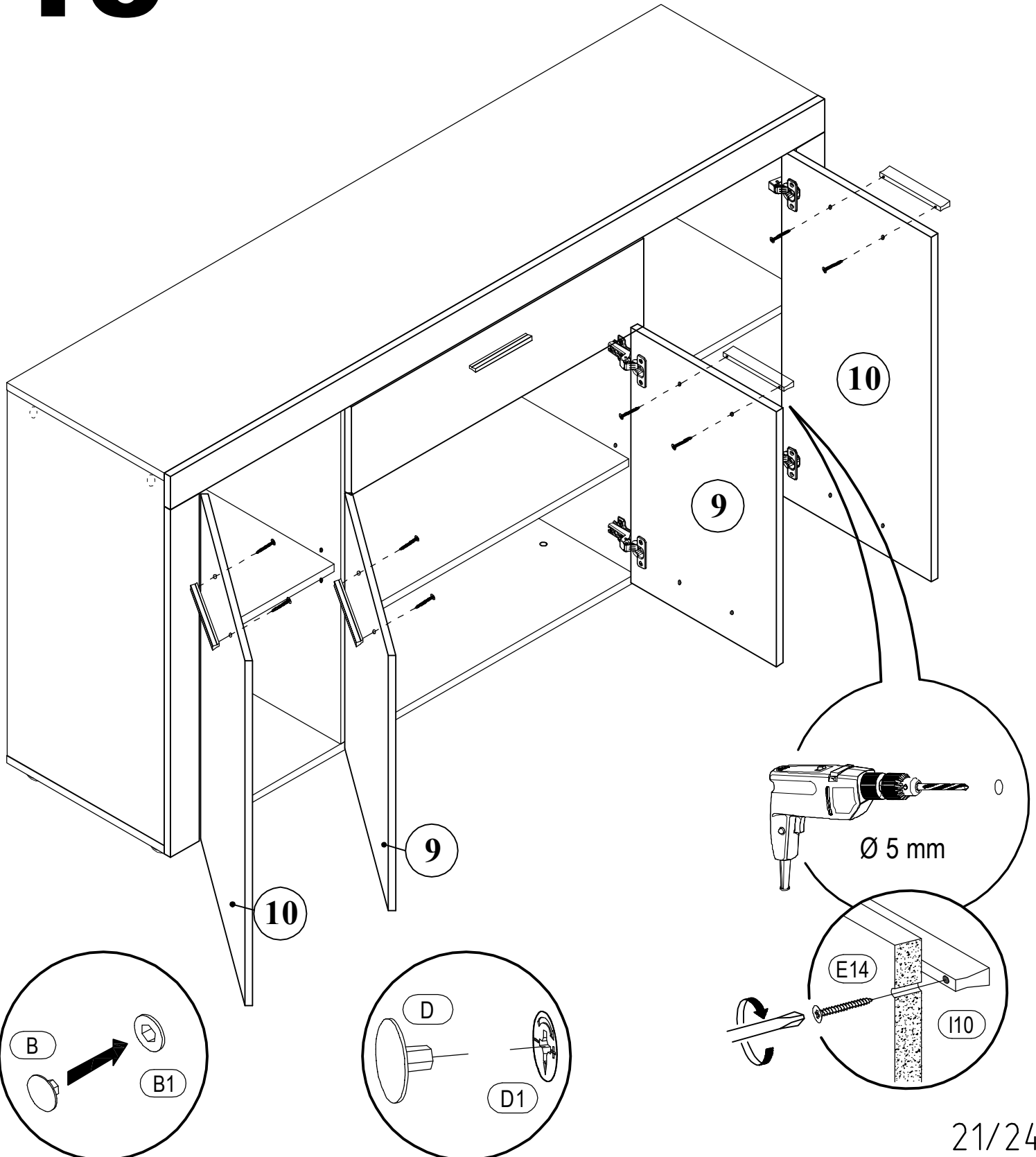


# HELEN

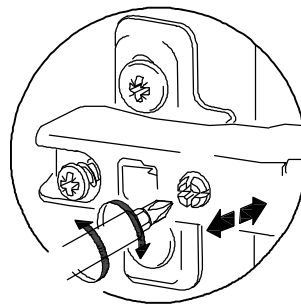
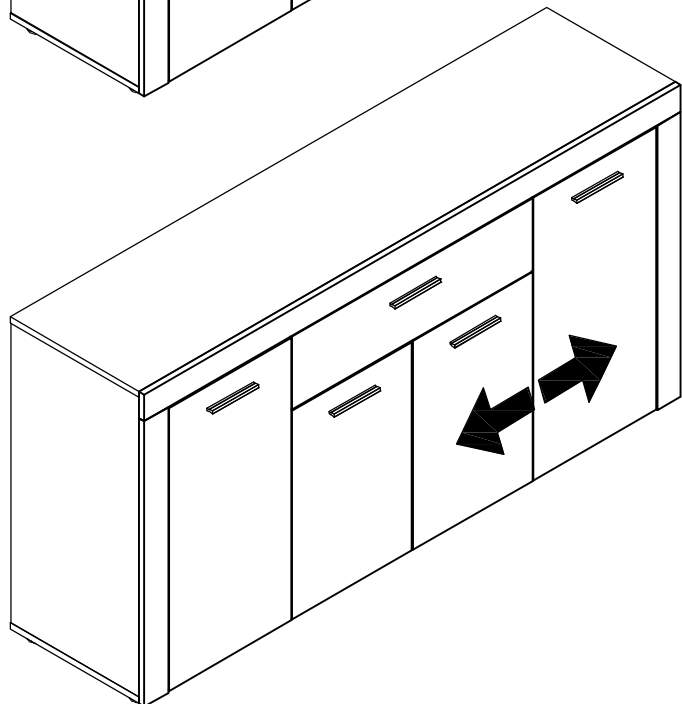
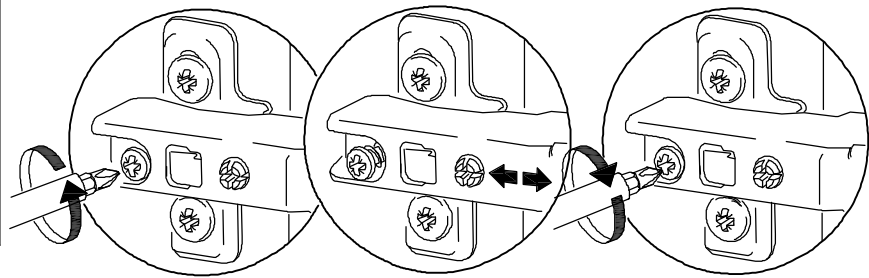
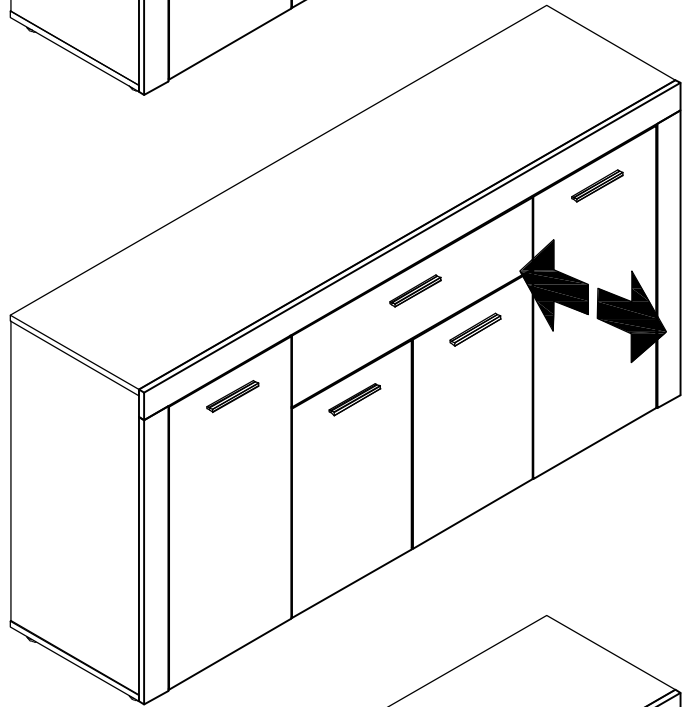
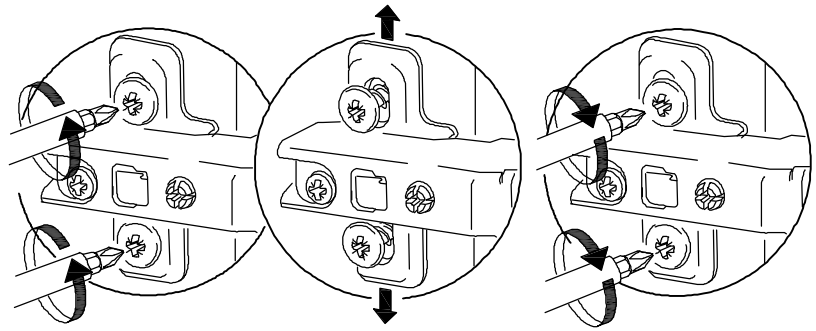
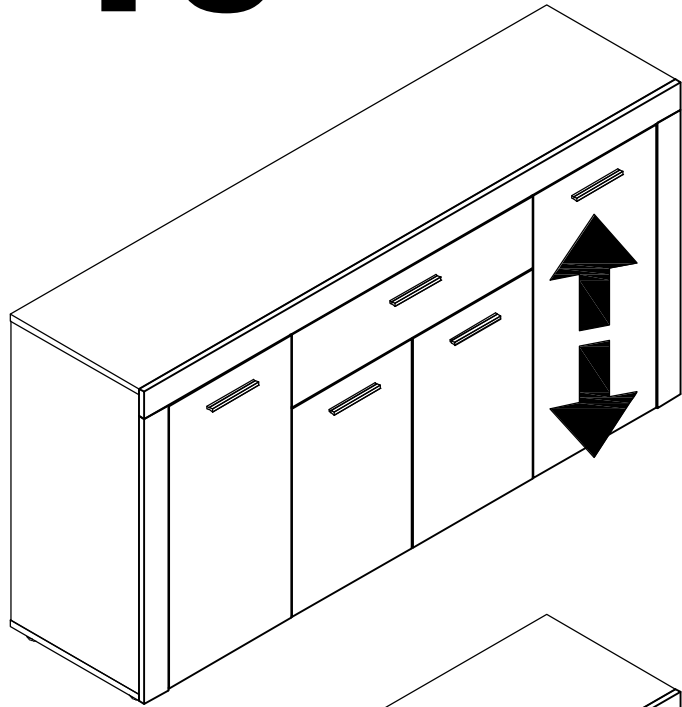
## chest of drawers 4D 1Dr

 <b>B</b> ø12mm x10	 <b>D</b> ø20mm x10	 <b>E14</b> 4*25mm x8
		 <b>I10</b> x4

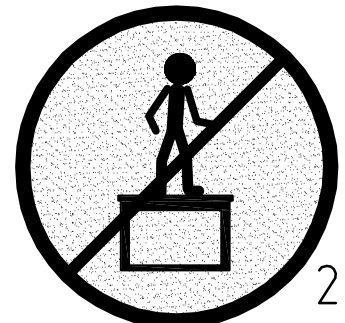
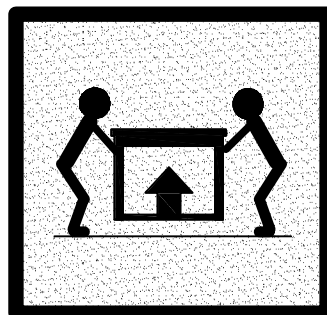
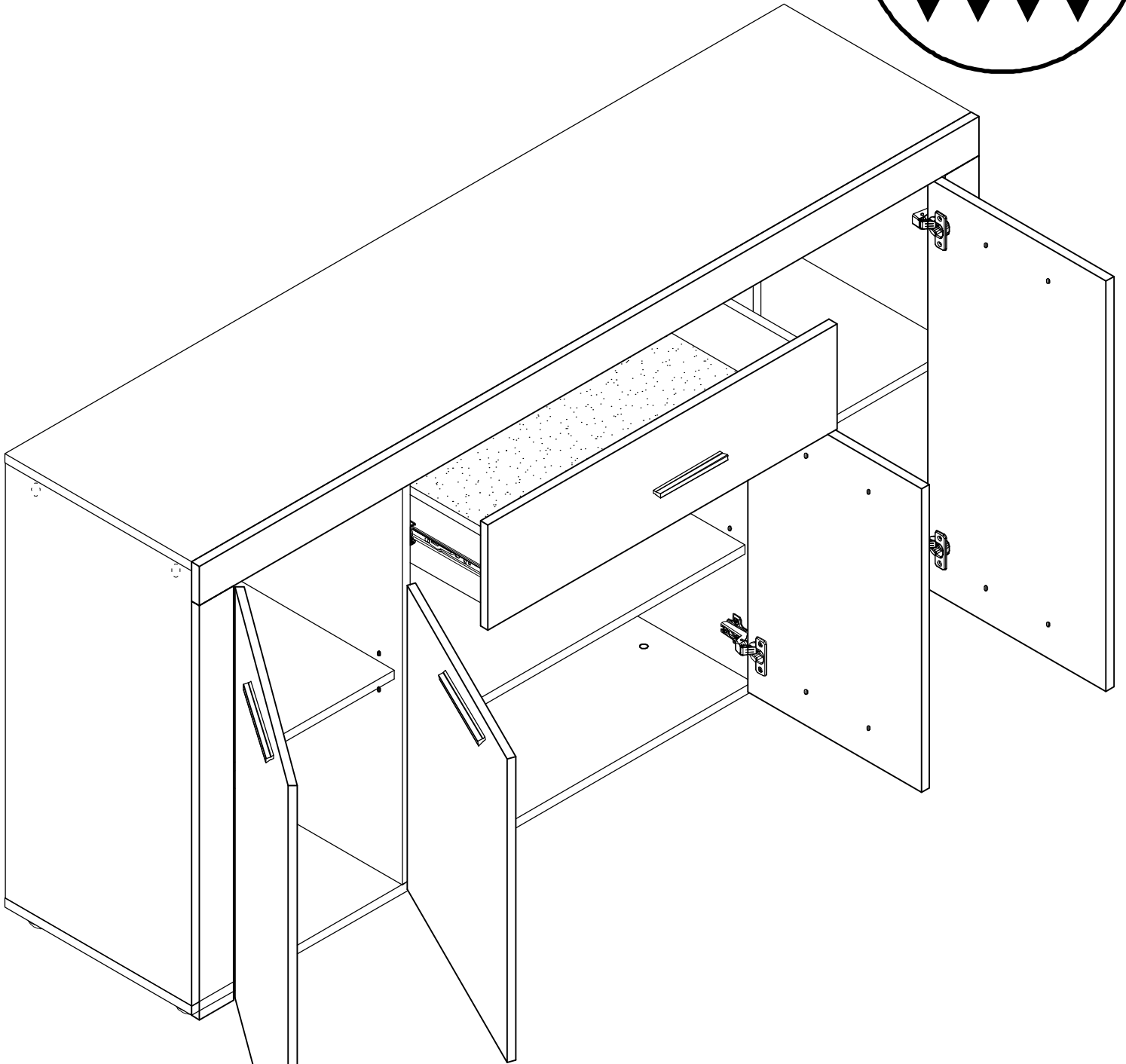
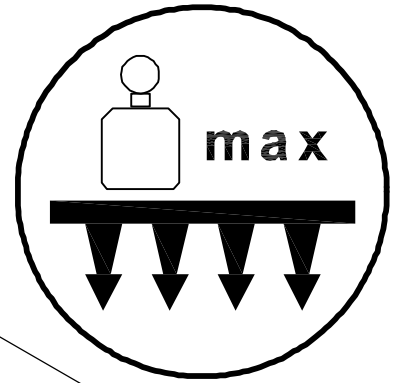
# 15



**16**



**HELEN**  
chest of drawers 4D 1Dr



# HELEN

chest of drawers 4D 1Dr

