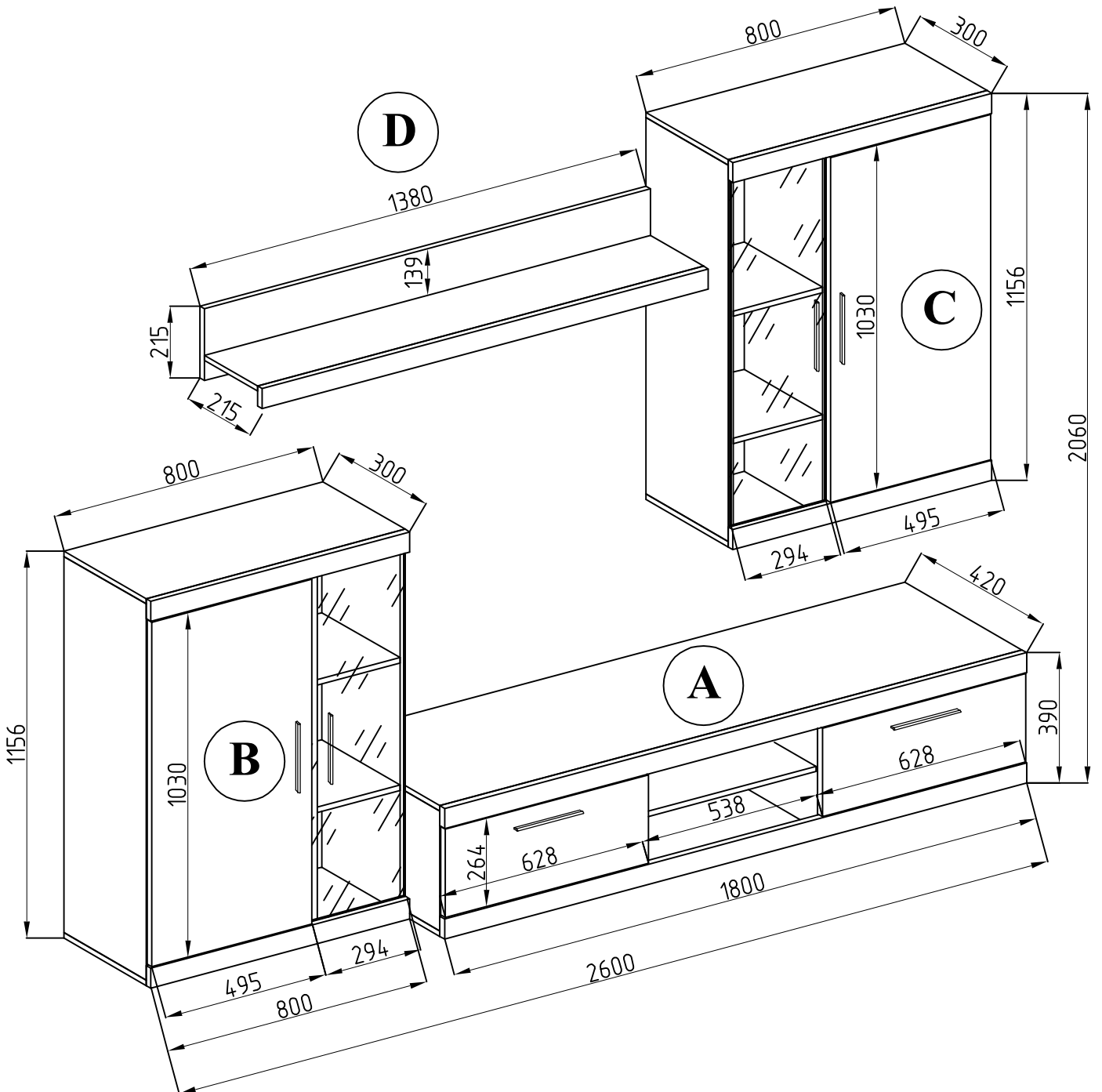
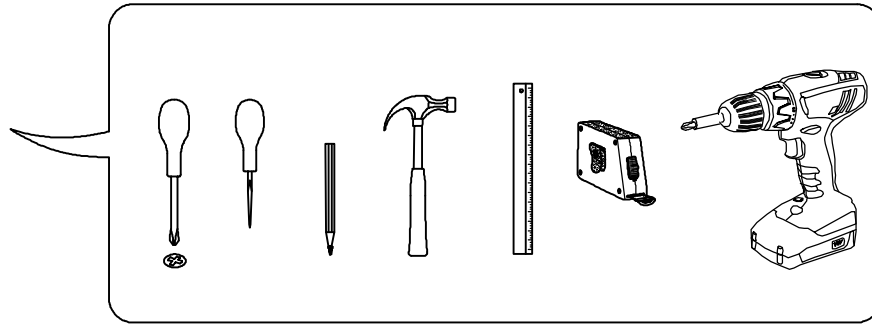
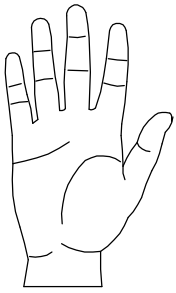




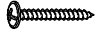
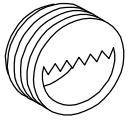



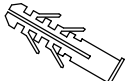

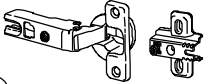


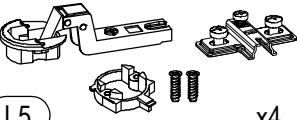


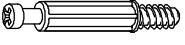
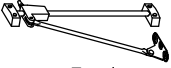
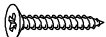




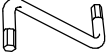
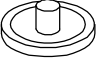
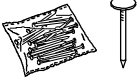
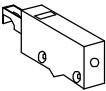
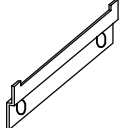

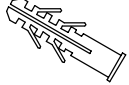



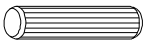


СВІТ МЕБЛІВ

CALIFORNIA





 K5 x10	 I9 x6	 Ea1 3,5*27mm x8	 H4 x3
 U7 x4	 Ea2 4,2*16mm x4	 U3 x12	 H5 8*40mm x3
 J1 5*16mm x32	 L1 x4	 L4 180° x4	 E19 5*60mm x3
 L5 x4	 E10 4*16mm x16	 F2 6,3*13mm x24	 C1 6*43mm x53
 N4 R+L x4	 E3 3*20mm x30	 E4 3,5*16 x12	 D1 15/16 x53
 H2 x38	 O1 x14	 R4 N°4 x1	 D ø20mm x53
 R3 1.4*25mm 0.02kg	 N1 x2	 O4 x2	 B1 6,3*50mm x17
 H6 10*50mm x4	 E21 6*60mm x4	 E11 4*30mm x4	 B ø12mm x17
 A1 8*30mm x28			

A

No	a*b	X
1	358x404	2
2	358x390	2
3	1800x404	1
4	1800x404	1
5	534x385	1
6	1800x60	2
7	628x264	2
8	1775x367	1

C

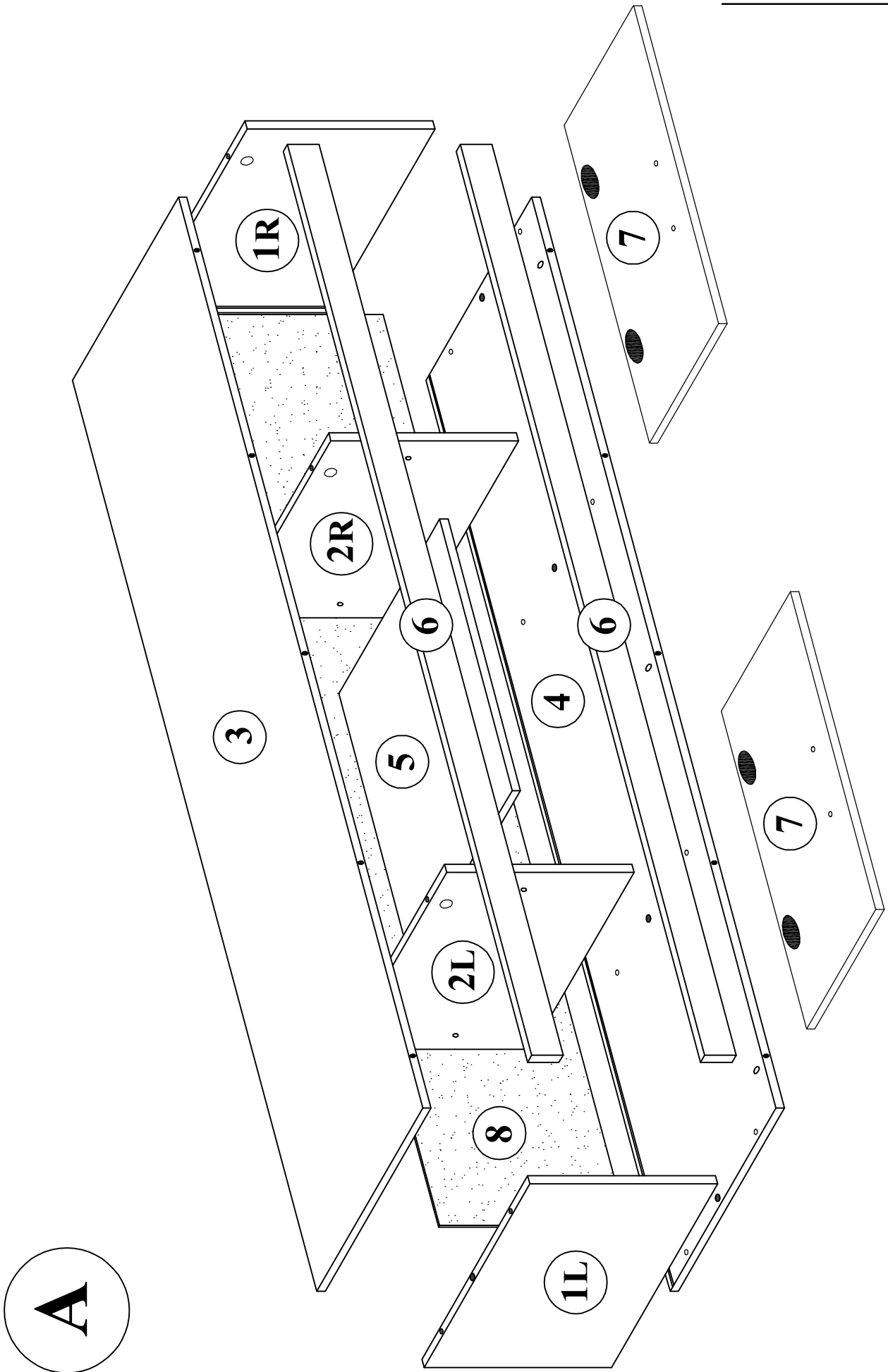
No	a*b	X
1	1124x284	2
2	1124x270	1
3	800x284	1
4	800x284	1
5	475x265	2
6	275x265	2
7	800x60	2
8	1030x495	1
9	1030x294	1
10	1133x487	1
11	1133x287	1

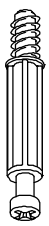
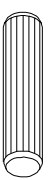


B

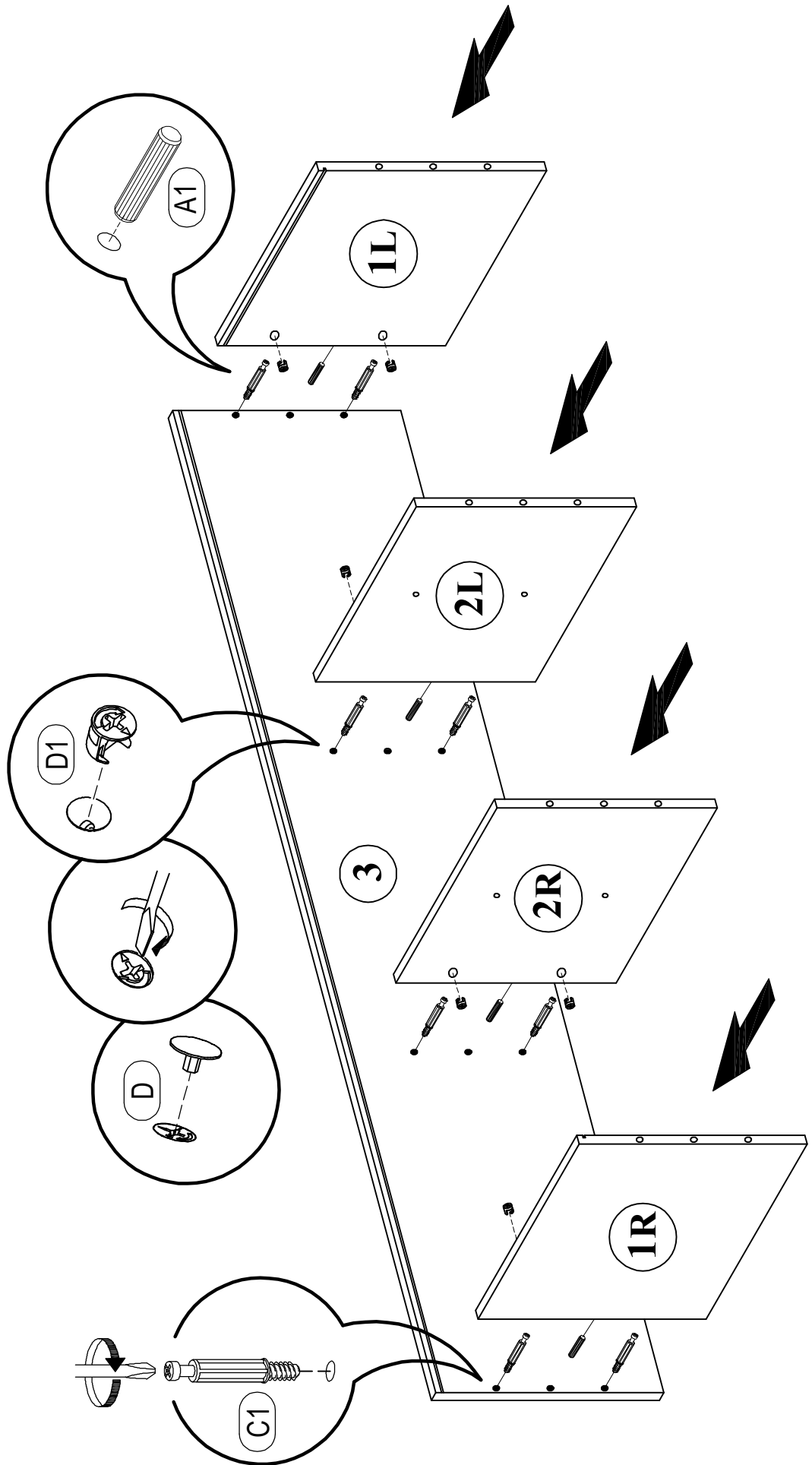
No	a*b	X
1	1124x284	2
2	1124x270	1
3	800x284	1
4	800x284	1
5	475x265	2
6	275x265	2
7	800x60	2
8	1030x495	1
9	1030x294	1
10	1133x487	1
11	1133x287	1




D

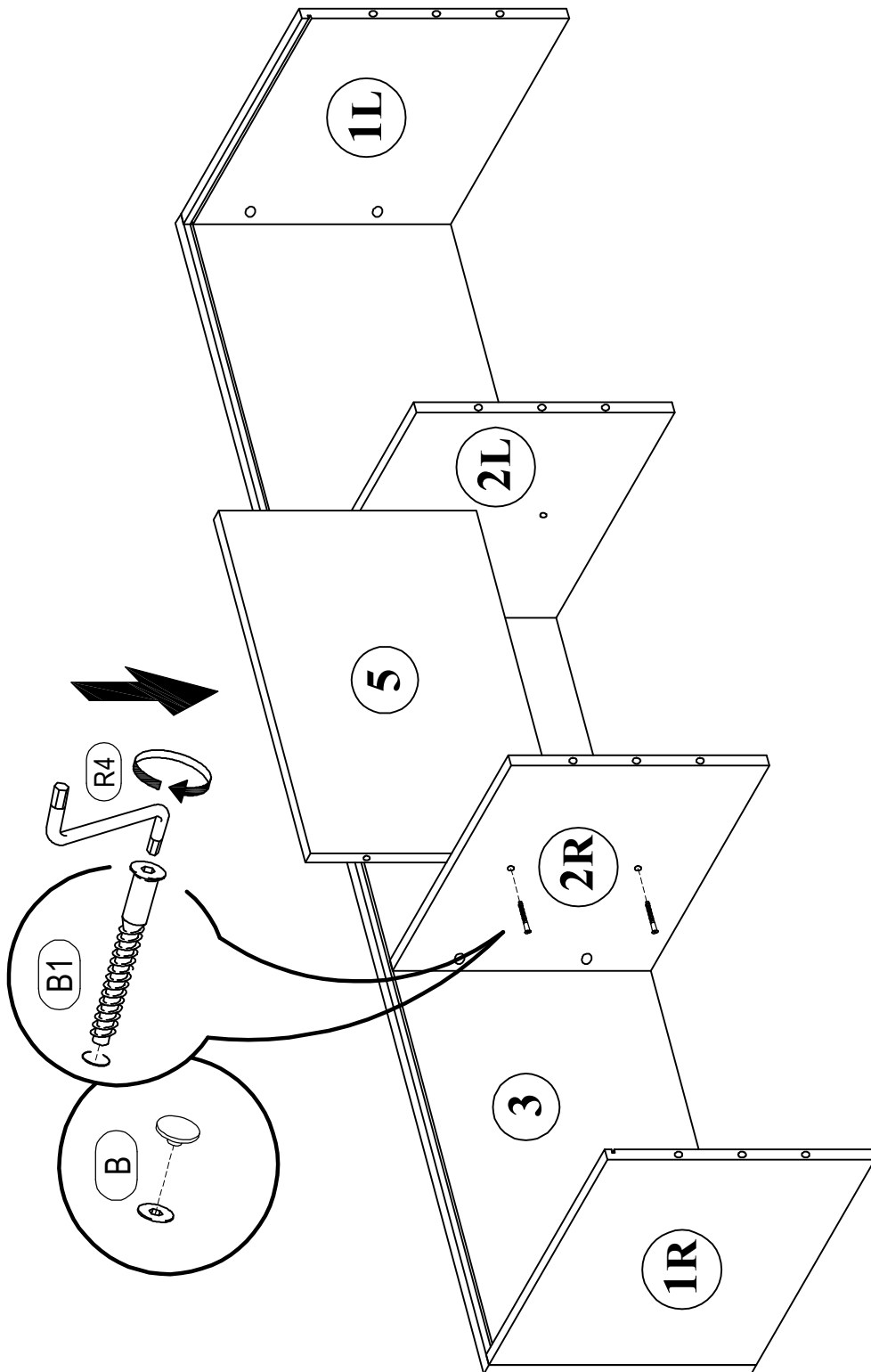
No	a*b	X
1	1380x215	1
2	1380x183	1
3	1380x60	1

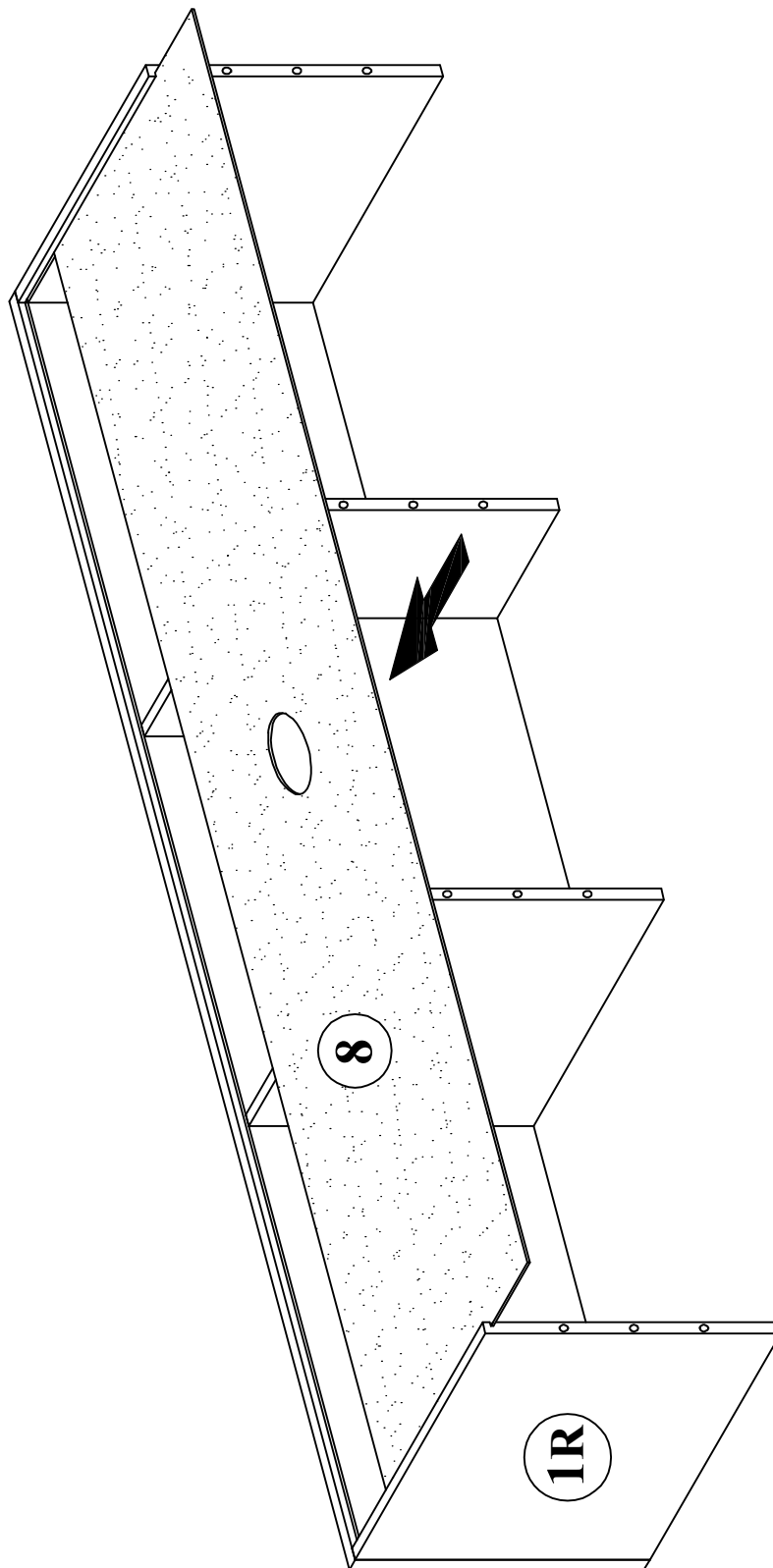





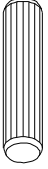
 C1	6*43mm	x8	 A1	8*30mm	x4	 D1	15/16	x8	 D	φ20mm	x8
---	--------	----	---	--------	----	--	-------	----	--	-------	----

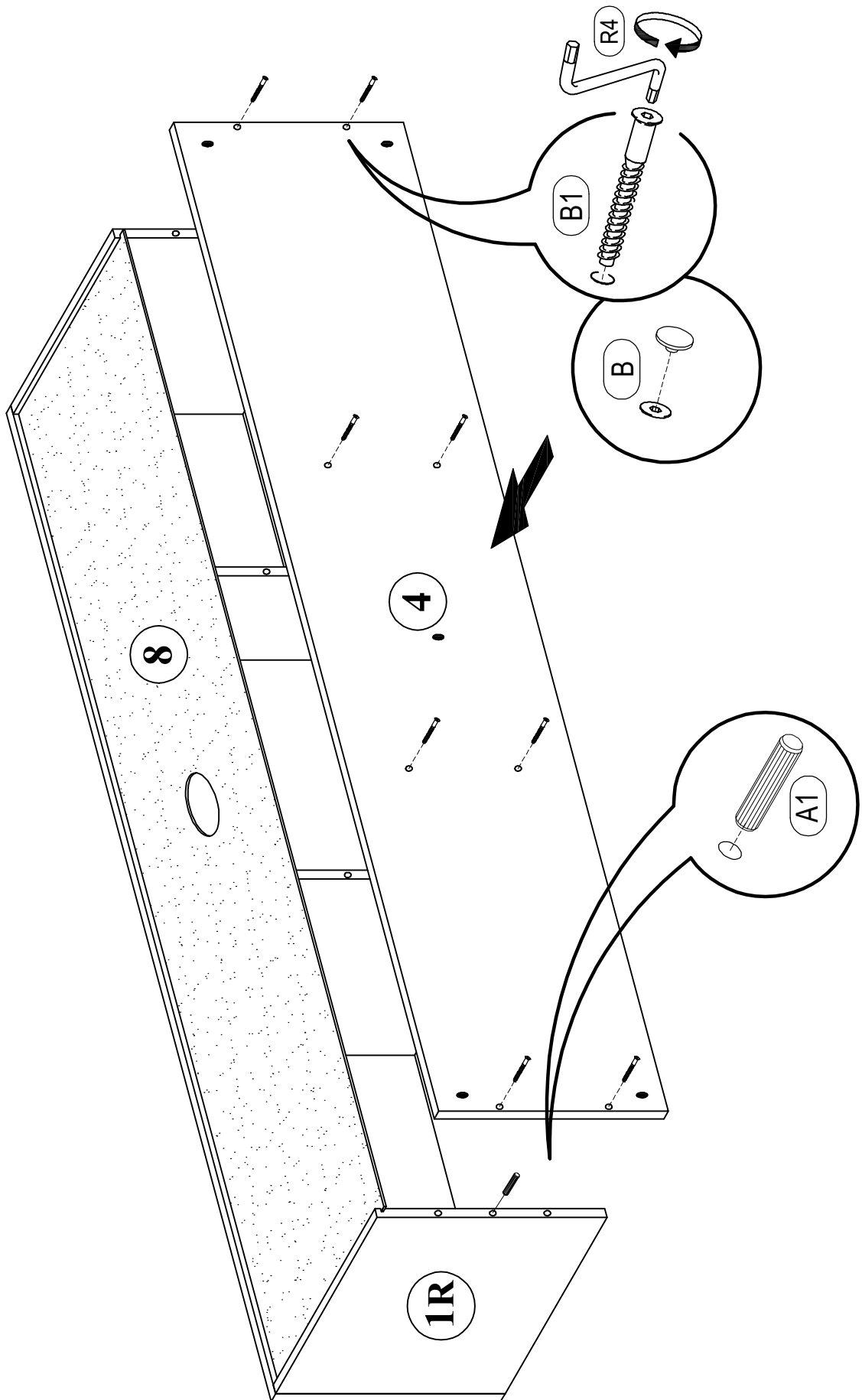


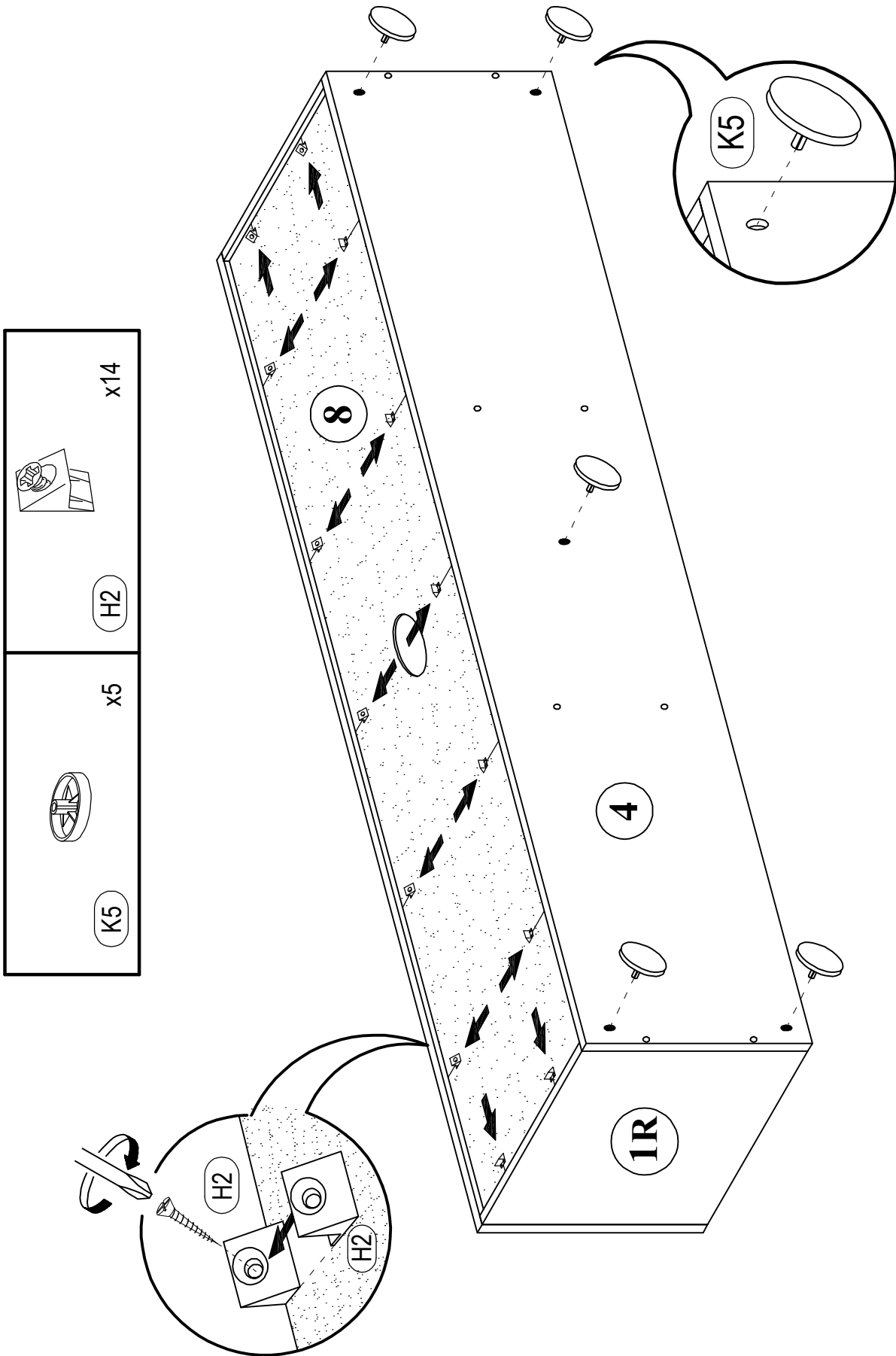
 B1 6,3*50mm x4	 B ϕ 12mm x4	 N°4 x1
--	--	--

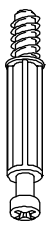
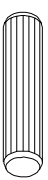

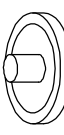


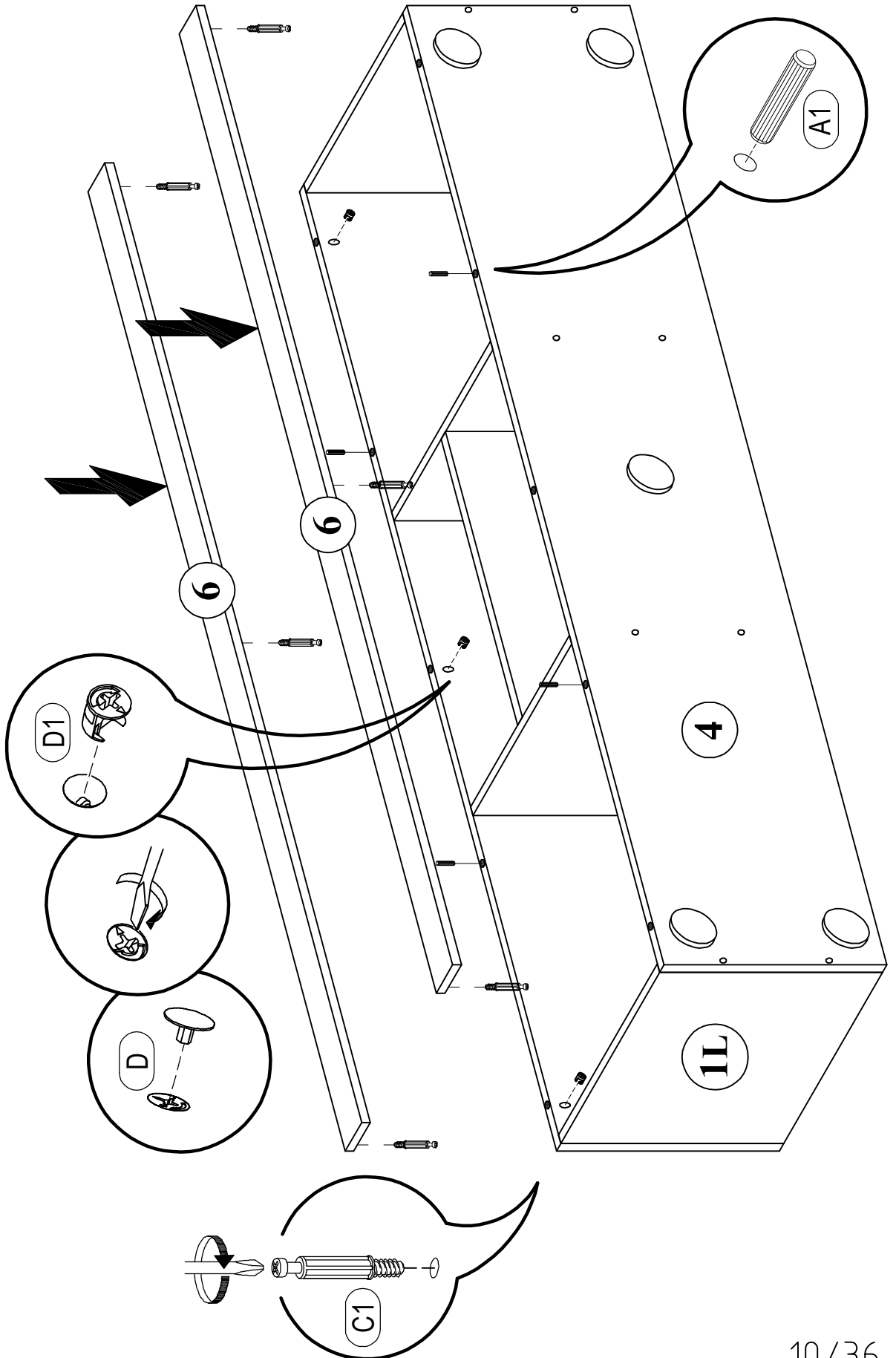


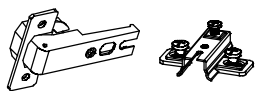
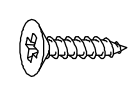


	B1	6,3*50mm	x8
	B	φ12mm	x8
	R4	N°4	x1
	A1	8*30mm	x4

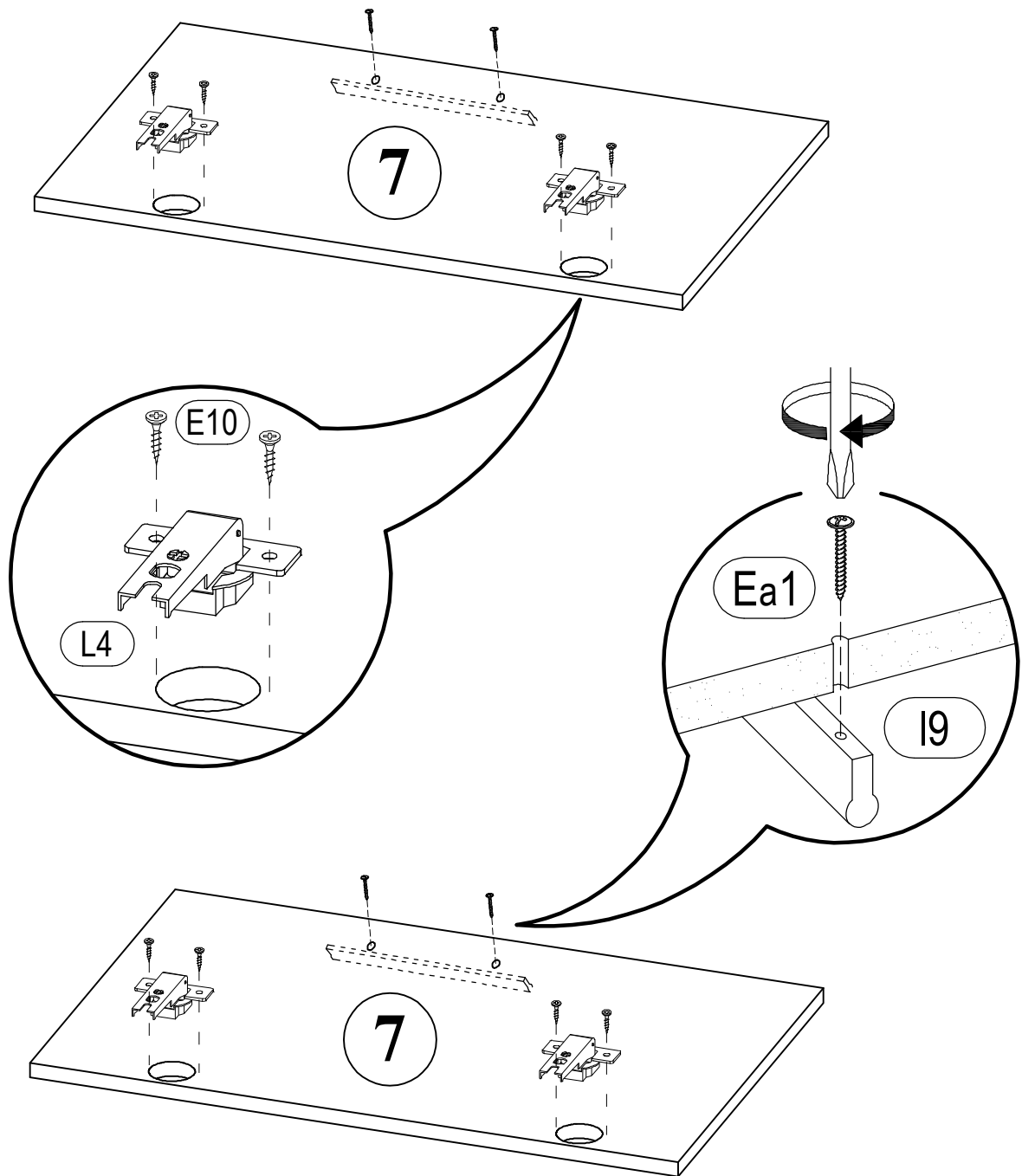









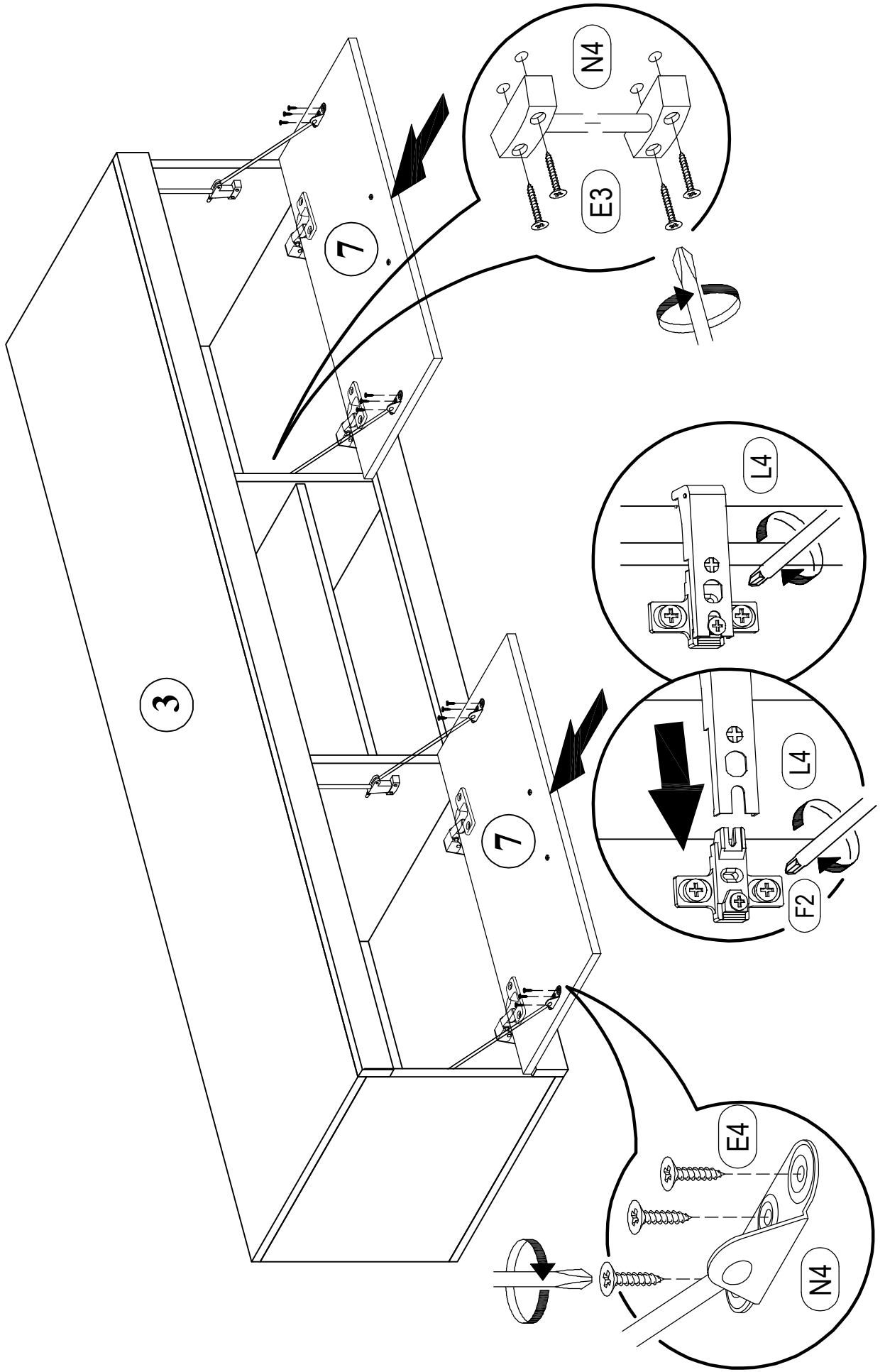
 <p>C1 6*43mm x6</p>	 <p>A1 8*30mm x4</p>	 <p>D1 15/16 x6</p>	 <p>D ø20mm x6</p>
---	---	---	---



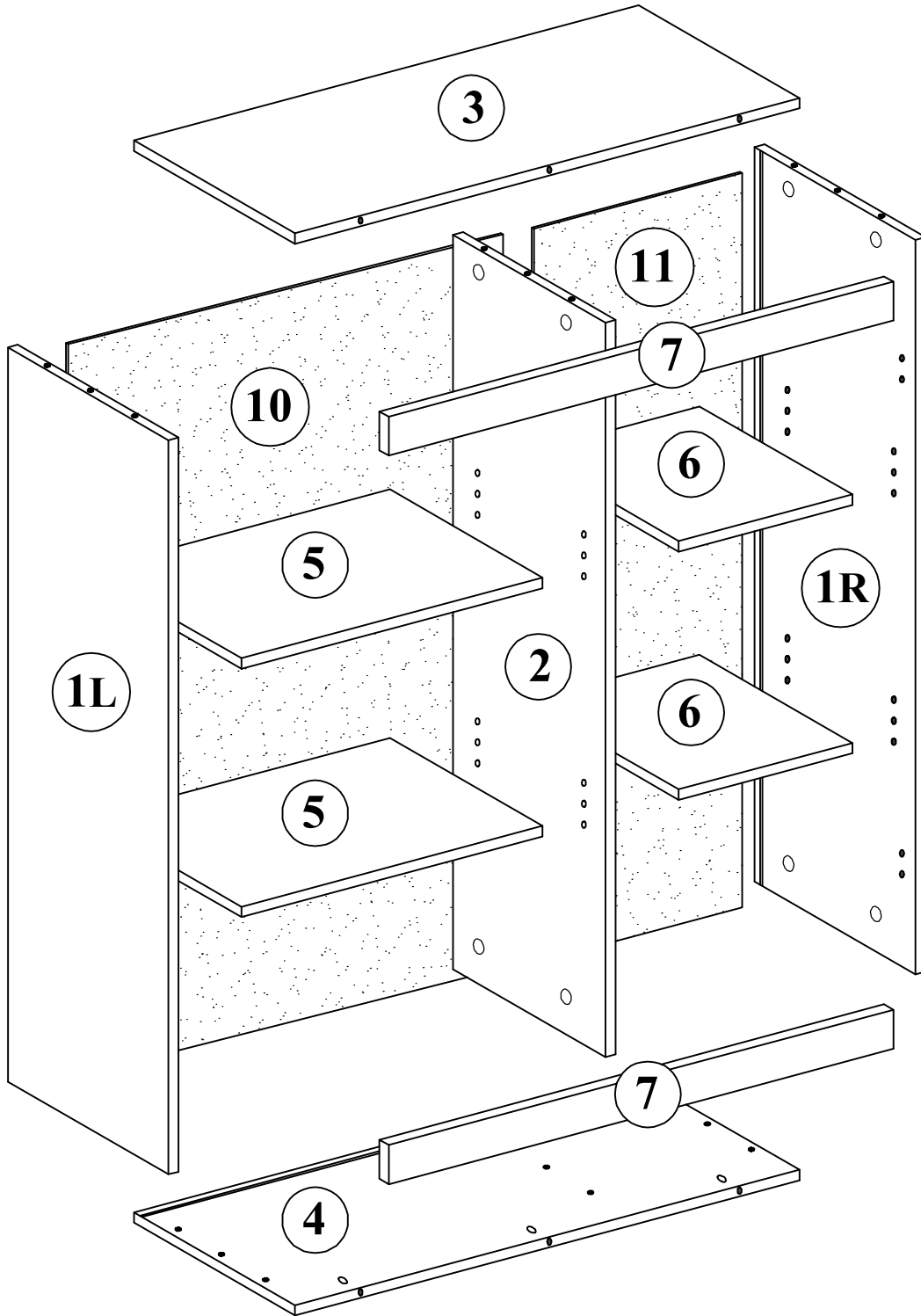
 L4 180° x4	 E10 4*16mm x8	 19 x2
 Ea1 3,5*27mm x4		

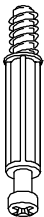
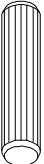

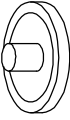


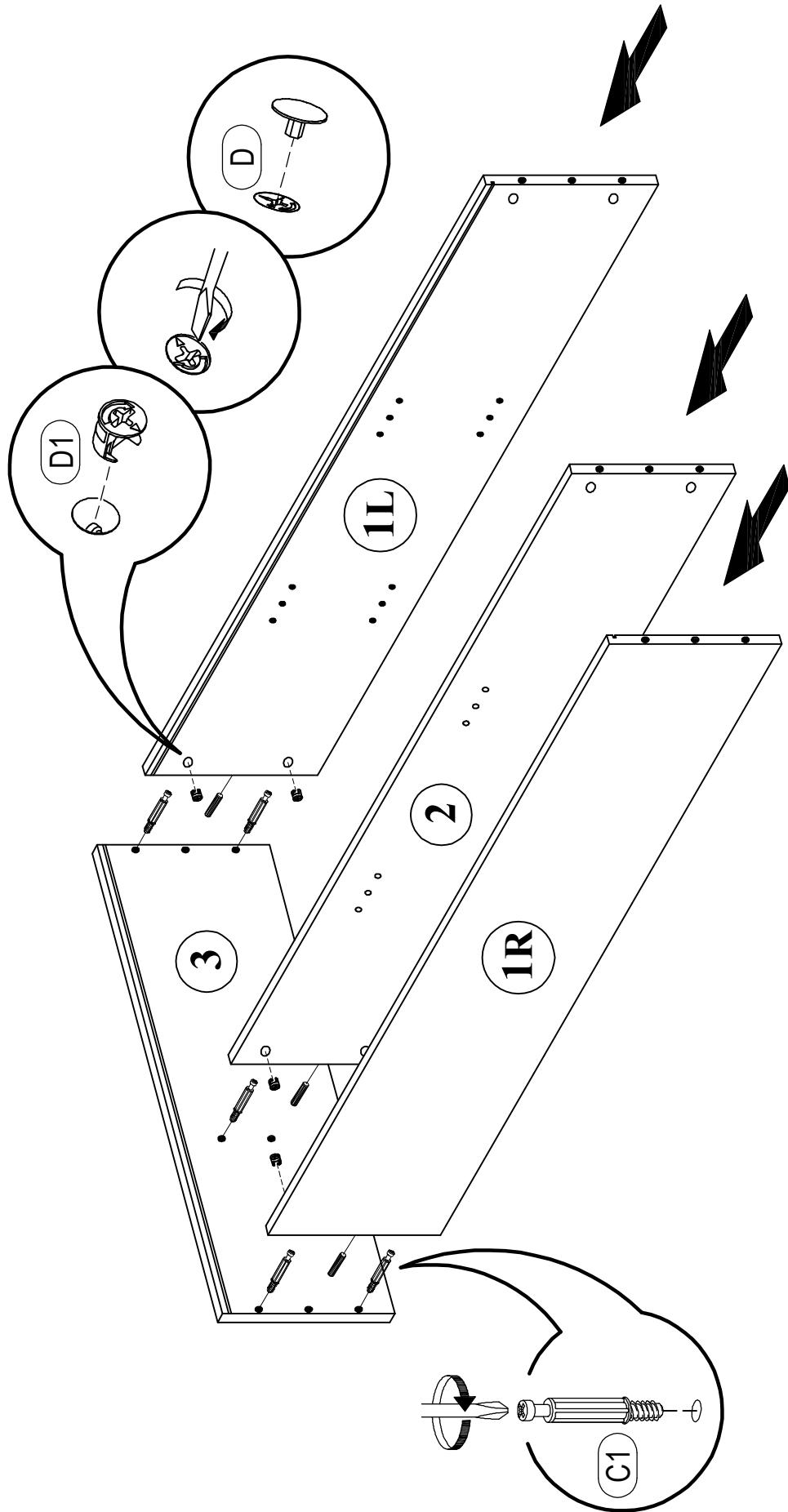
 R + L N4	x2	 E4	3,5*16	x12	 E3	3*20mm	x16	 L4	x4	 F2	6,3*13mm	x8
--	----	---	--------	-----	---	--------	-----	---	----	---	----------	----

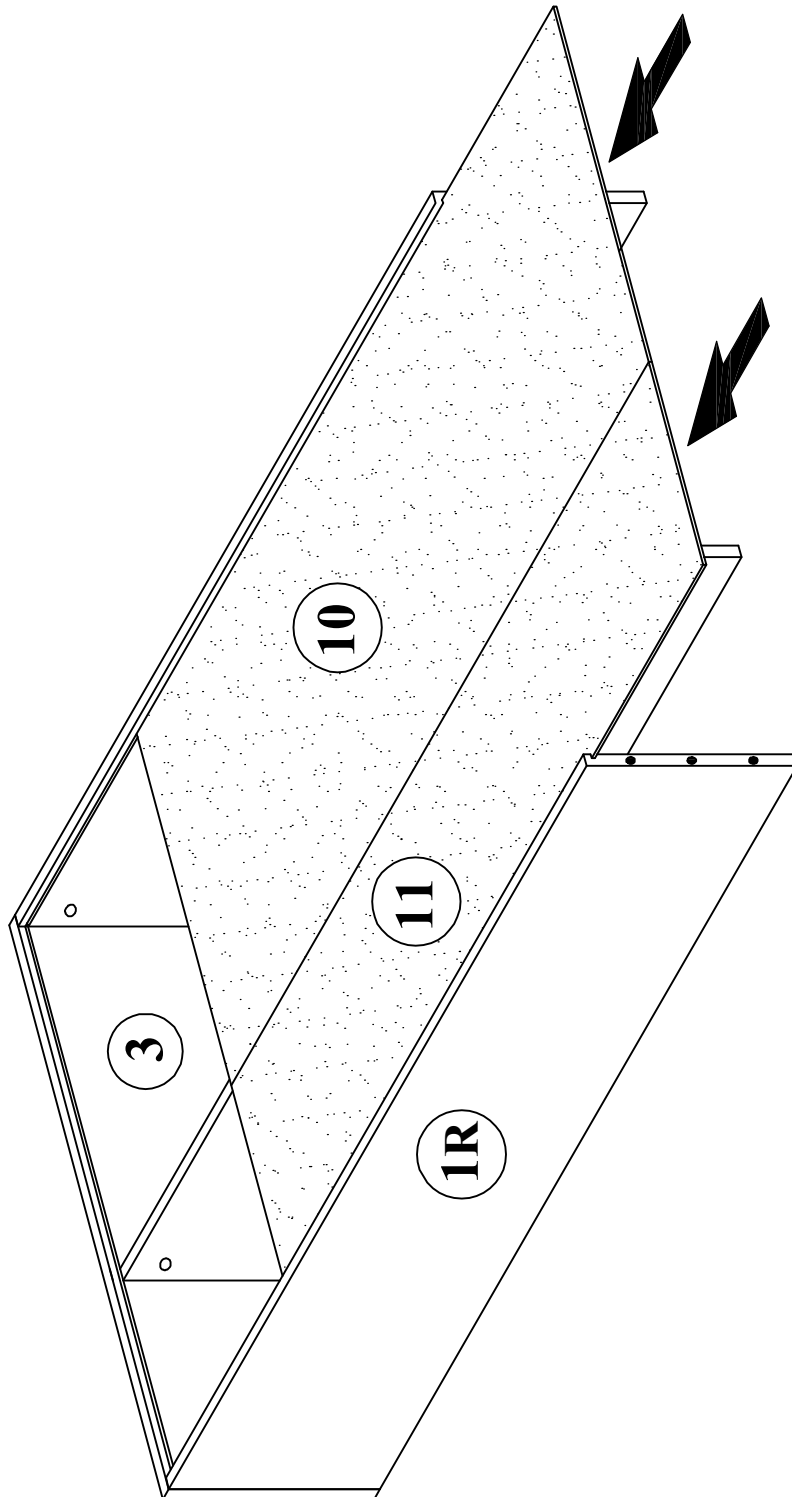


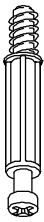
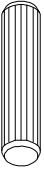

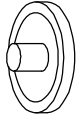
B

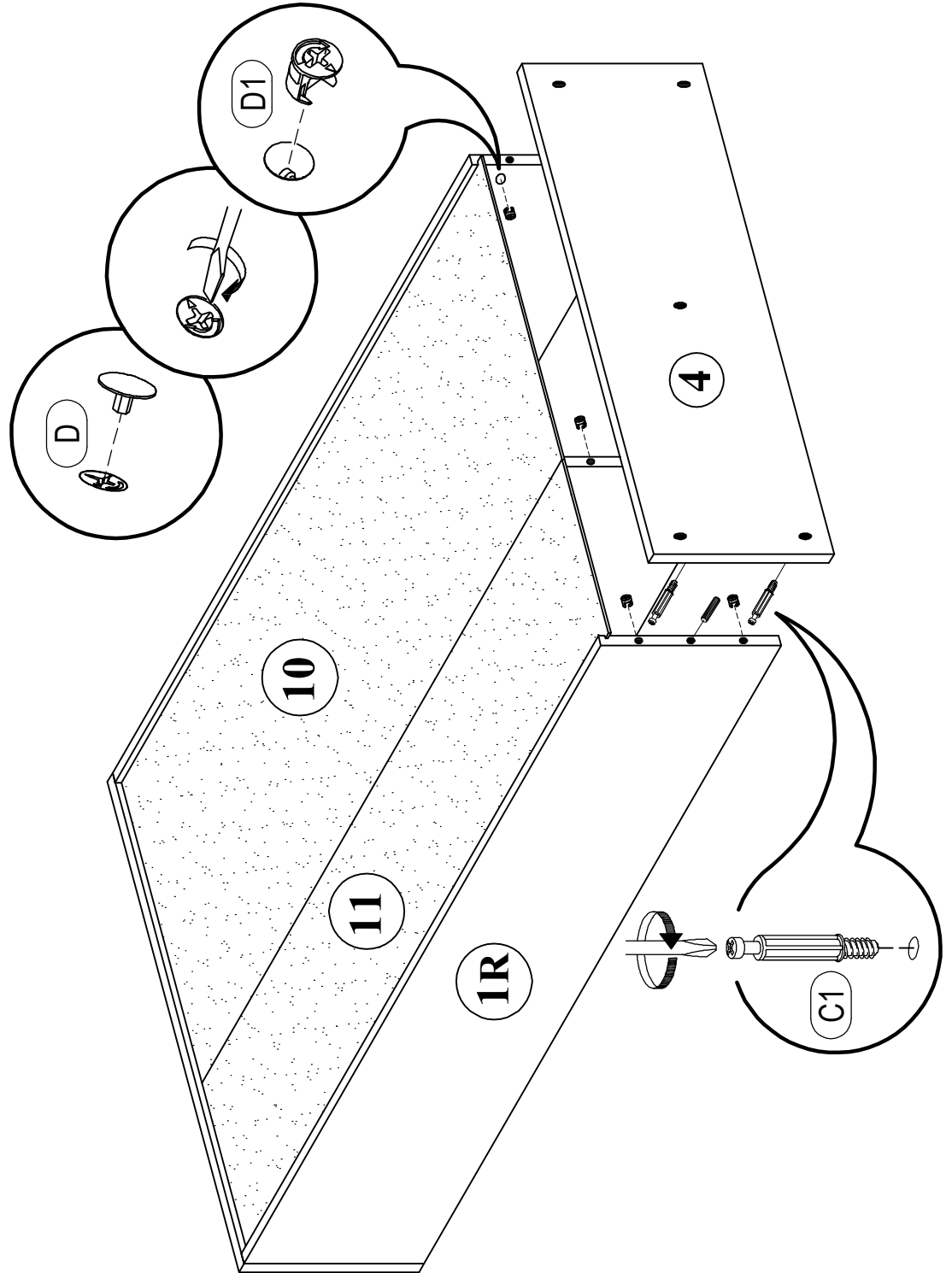






	C1	6*43mm	x6
	A1	8*30mm	x3
	D1	15/16	x6
	D	φ20mm	x6

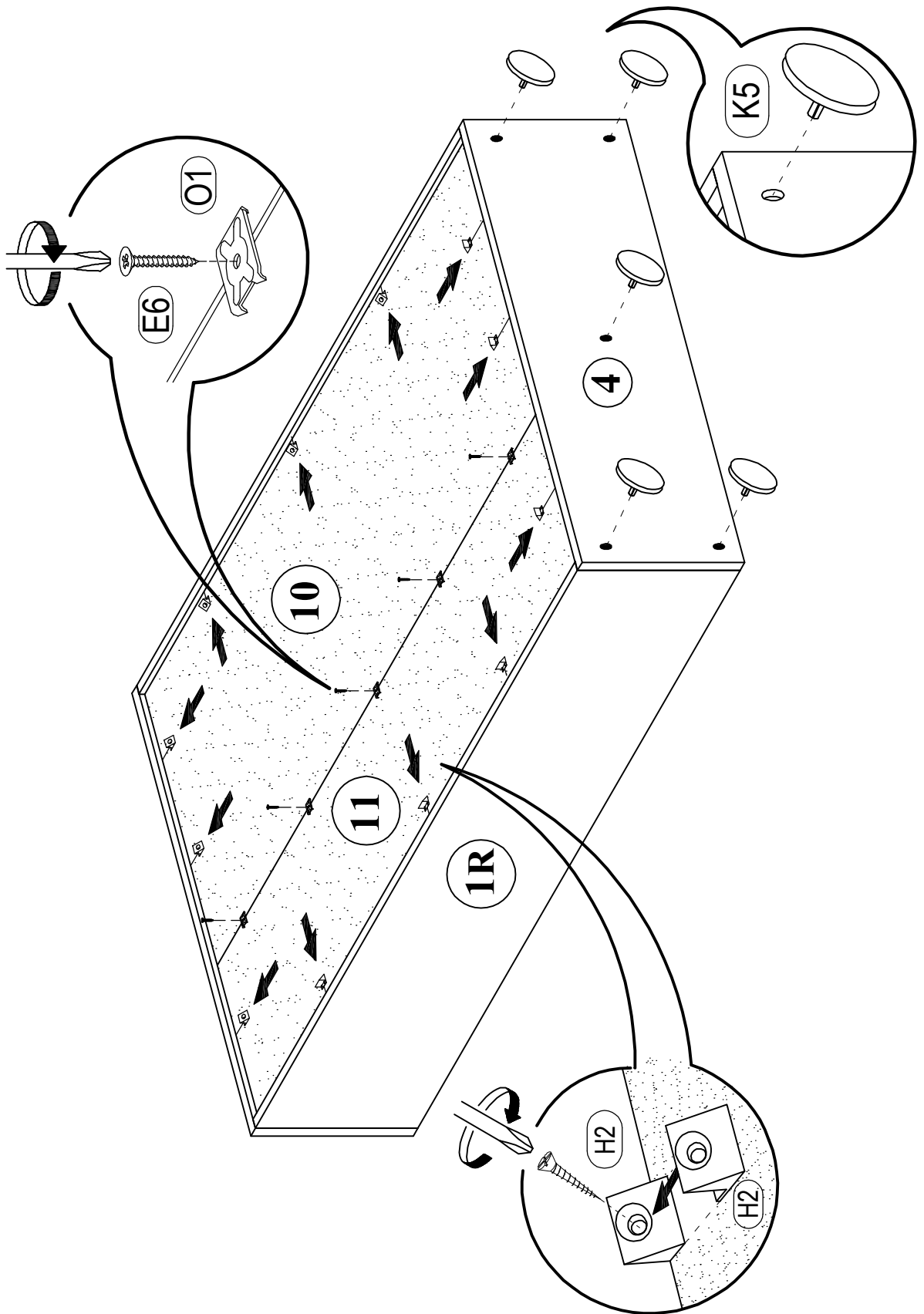


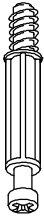

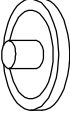


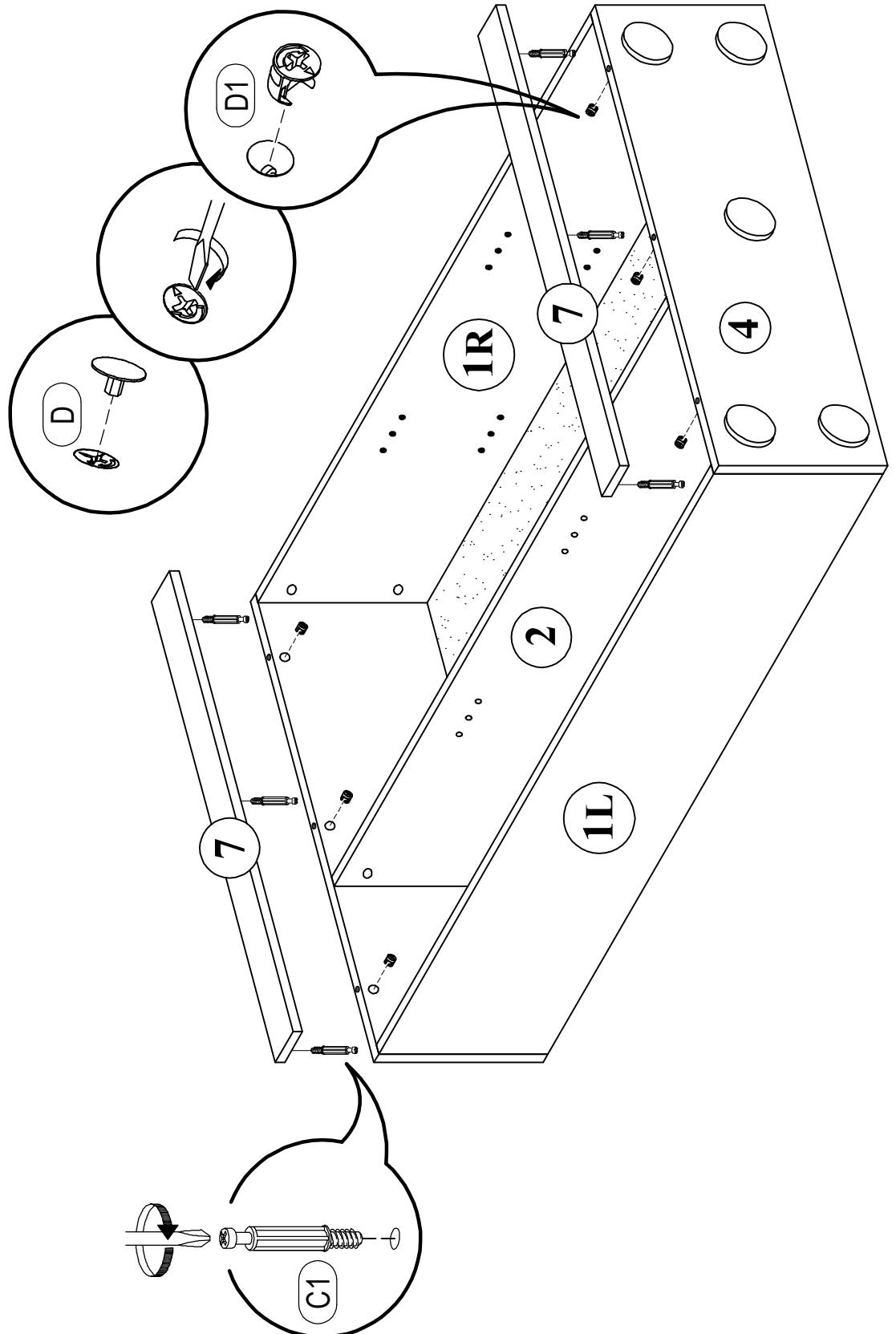
	C1	6*43mm	x6
	A1	8*30mm	x3
	D1	15/16	x6
	D	φ20mm	x6

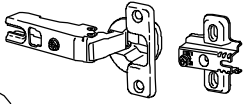
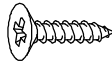




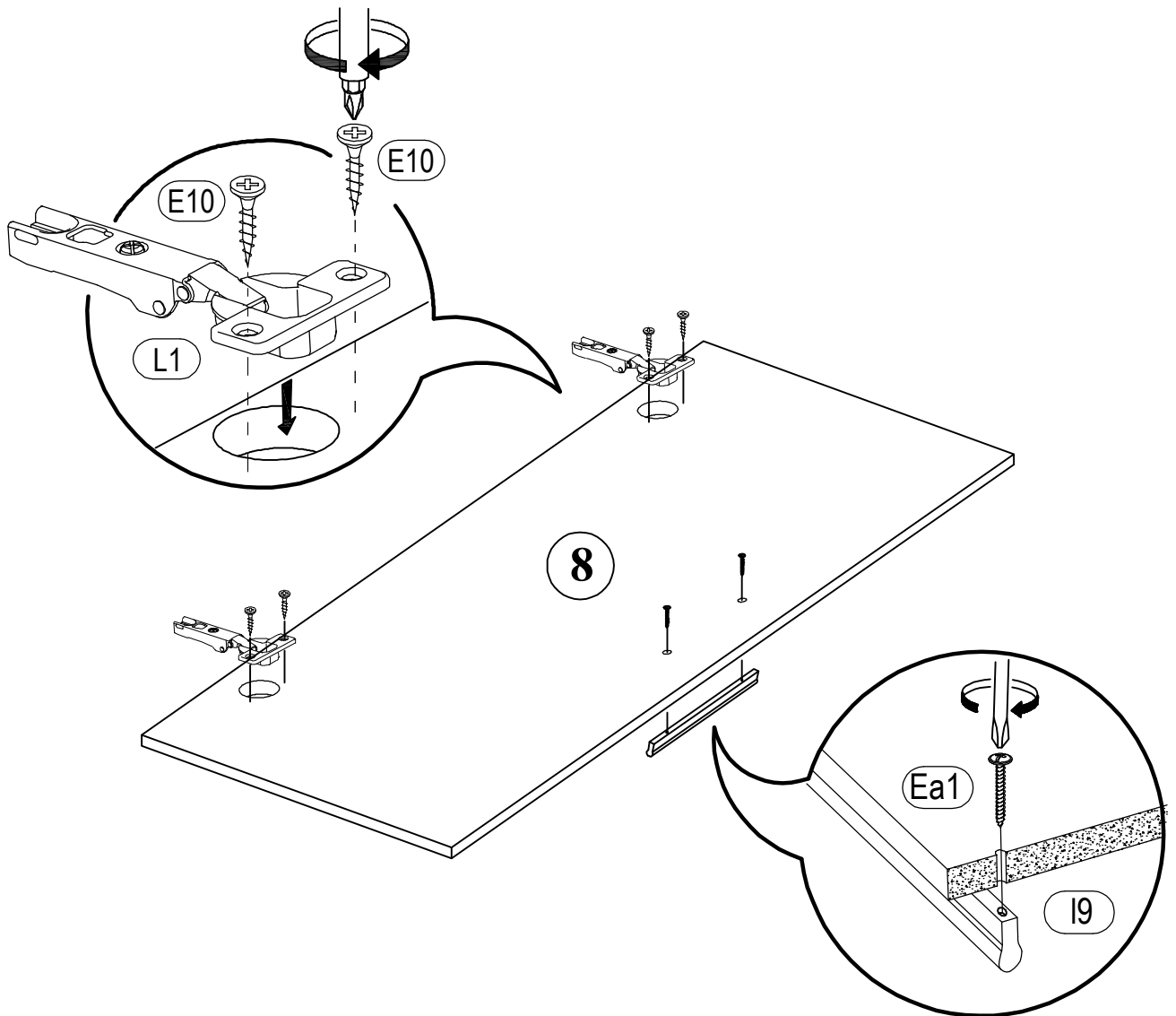
 <p>(K5) x5</p>	 <p>(H2) x12</p>	 <p>(O1) x7</p>	 <p>(E6) 3,5*25mm x5</p>
--	---	--	---

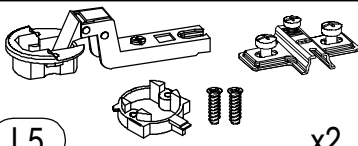
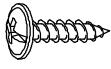




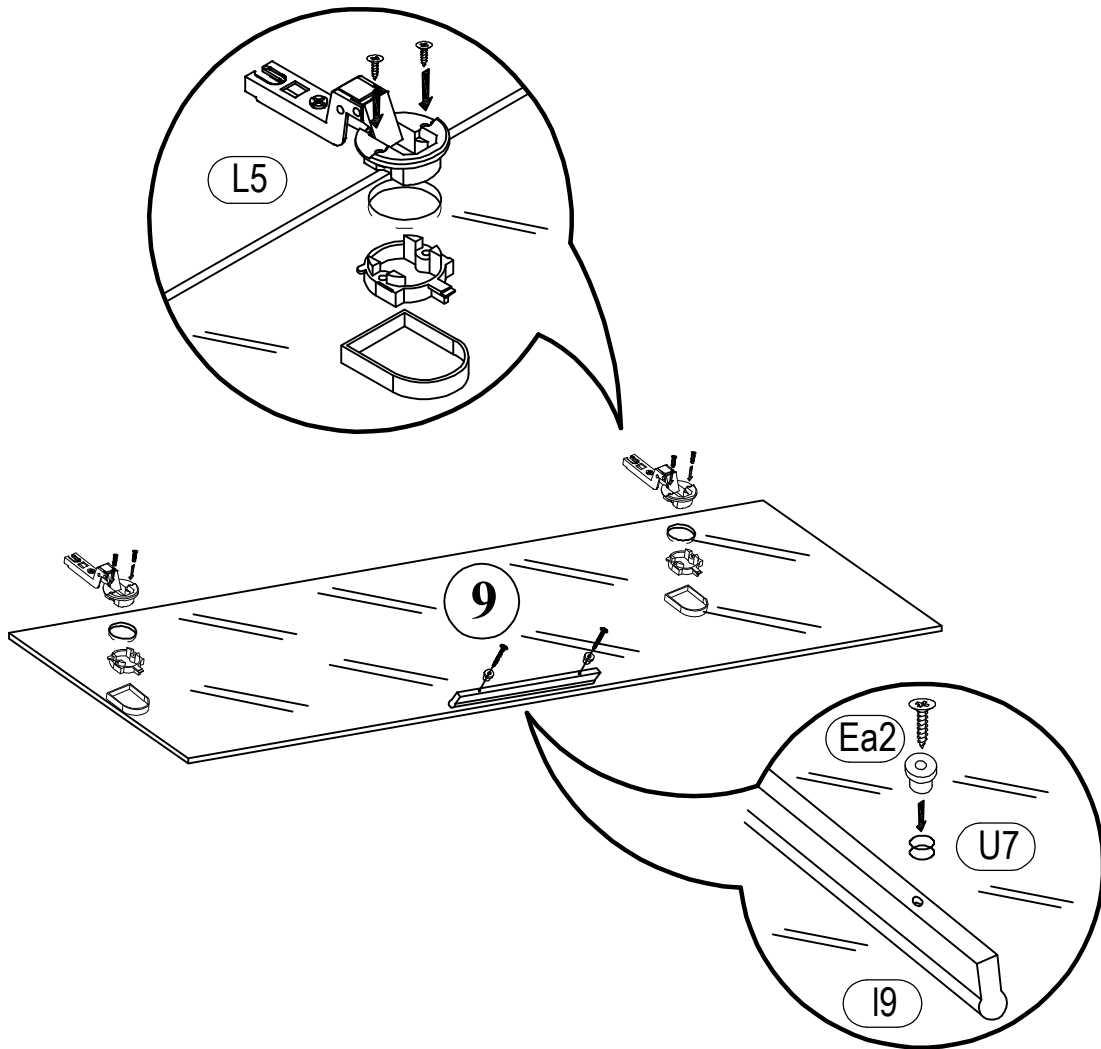
		
C1	D1	D
6*4.3mm	15/16	φ20mm
x6	x6	x6

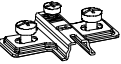
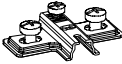




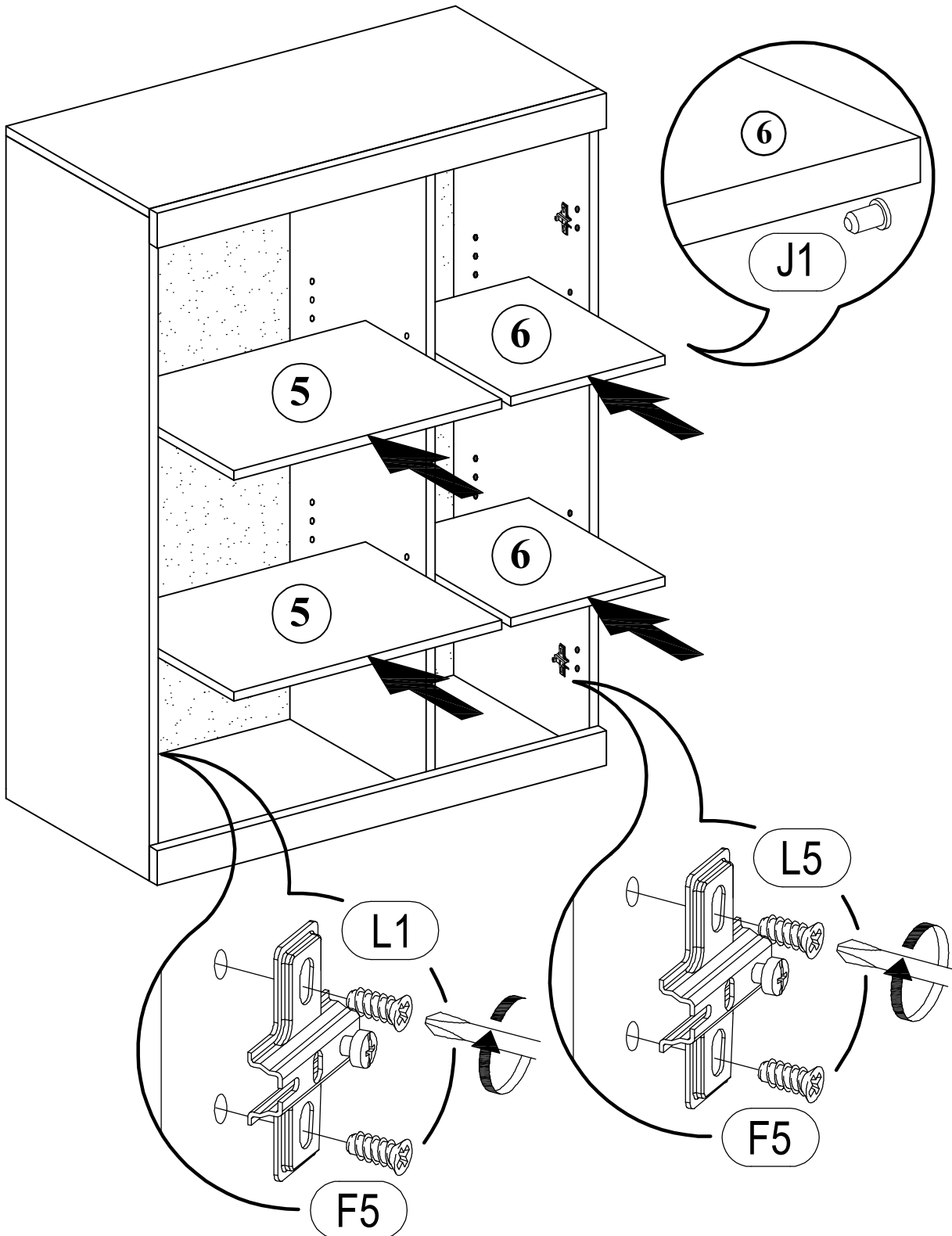
 (L1) x2	 (E10) 4*16mm x4	 (Ea1) 3,5*27mm x2
 (I9) x1		

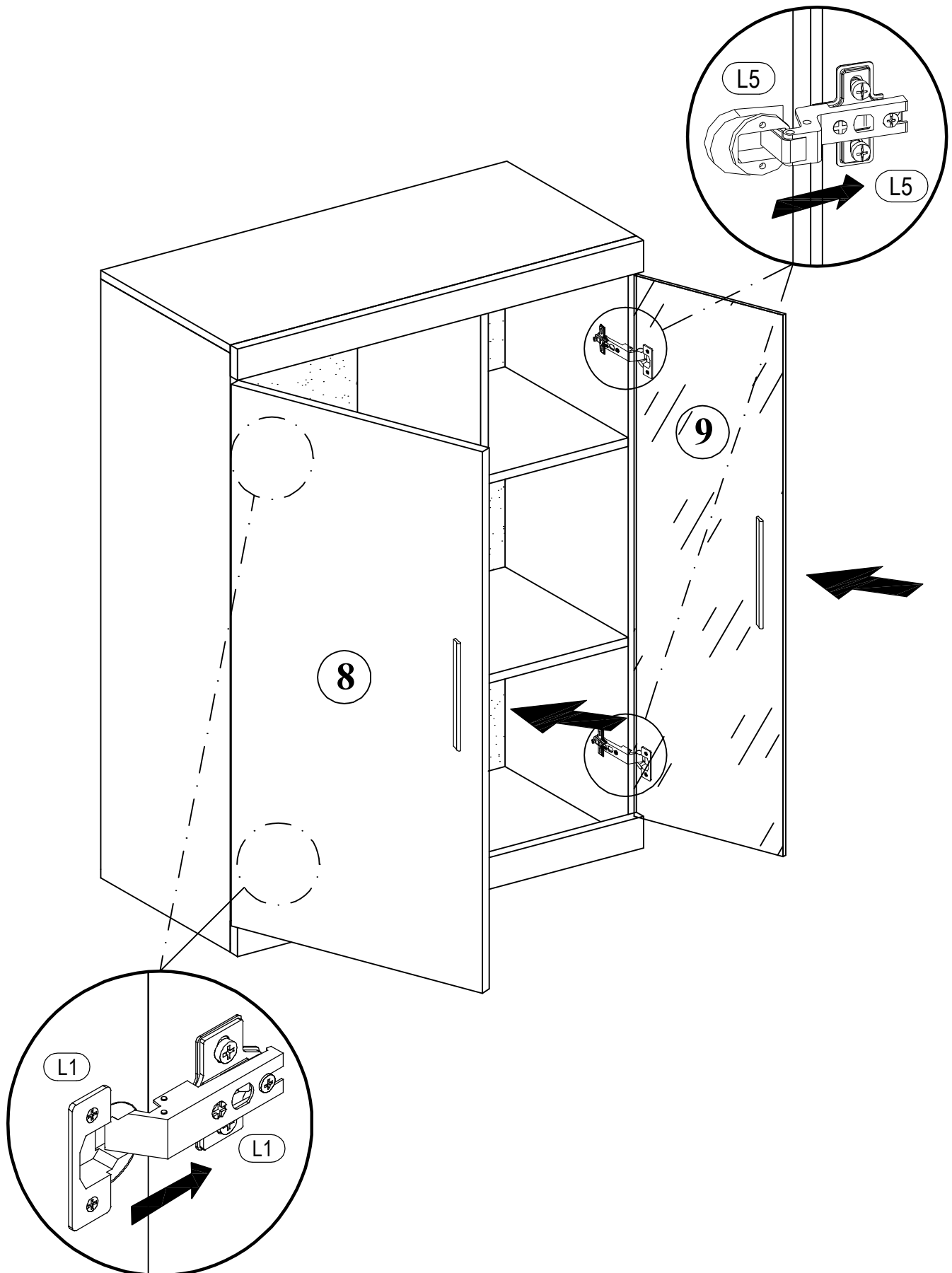


 <p>(L5) x2</p> <p>(Ea2) 4,2*16mm x2</p>	 <p>(Ea2) 4,2*16mm x2</p>	 <p>(U7) x2</p>
 <p>(I9) x1</p>		

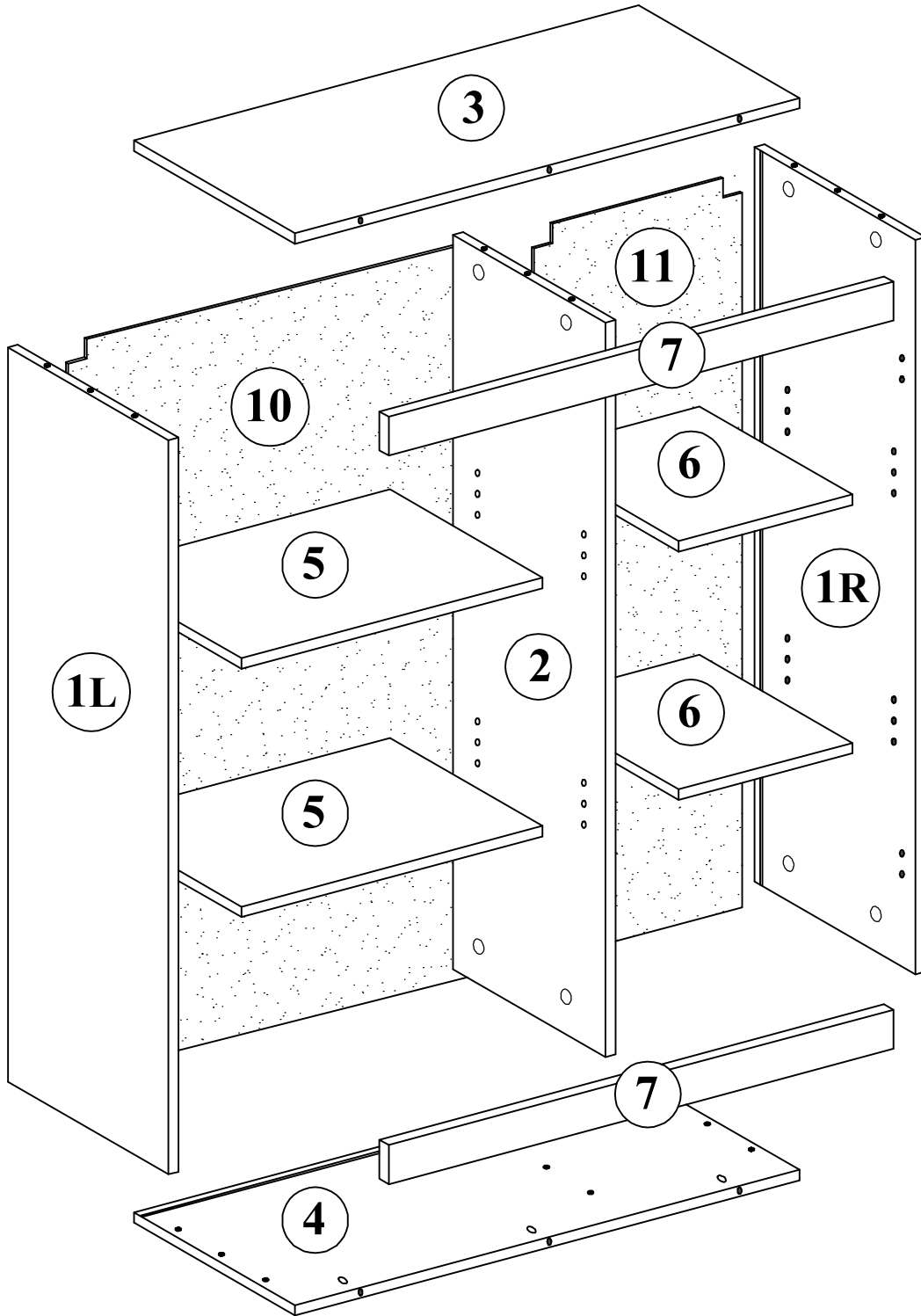


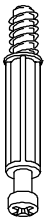
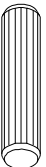

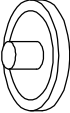
 L5 x2	 L1 x2	 F2 6,3*13mm x8
 J1 5*16mm x16		

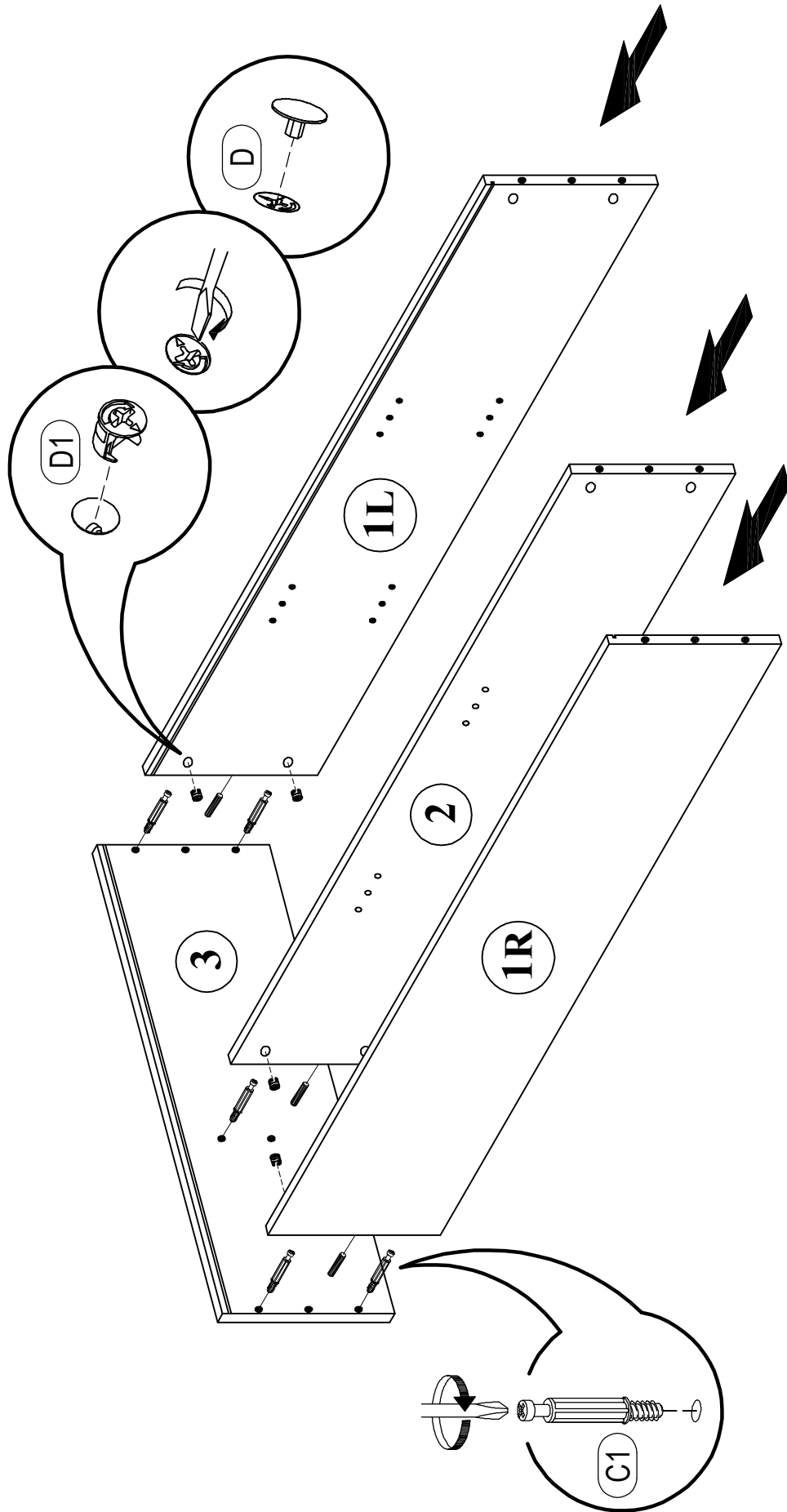


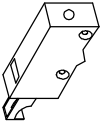



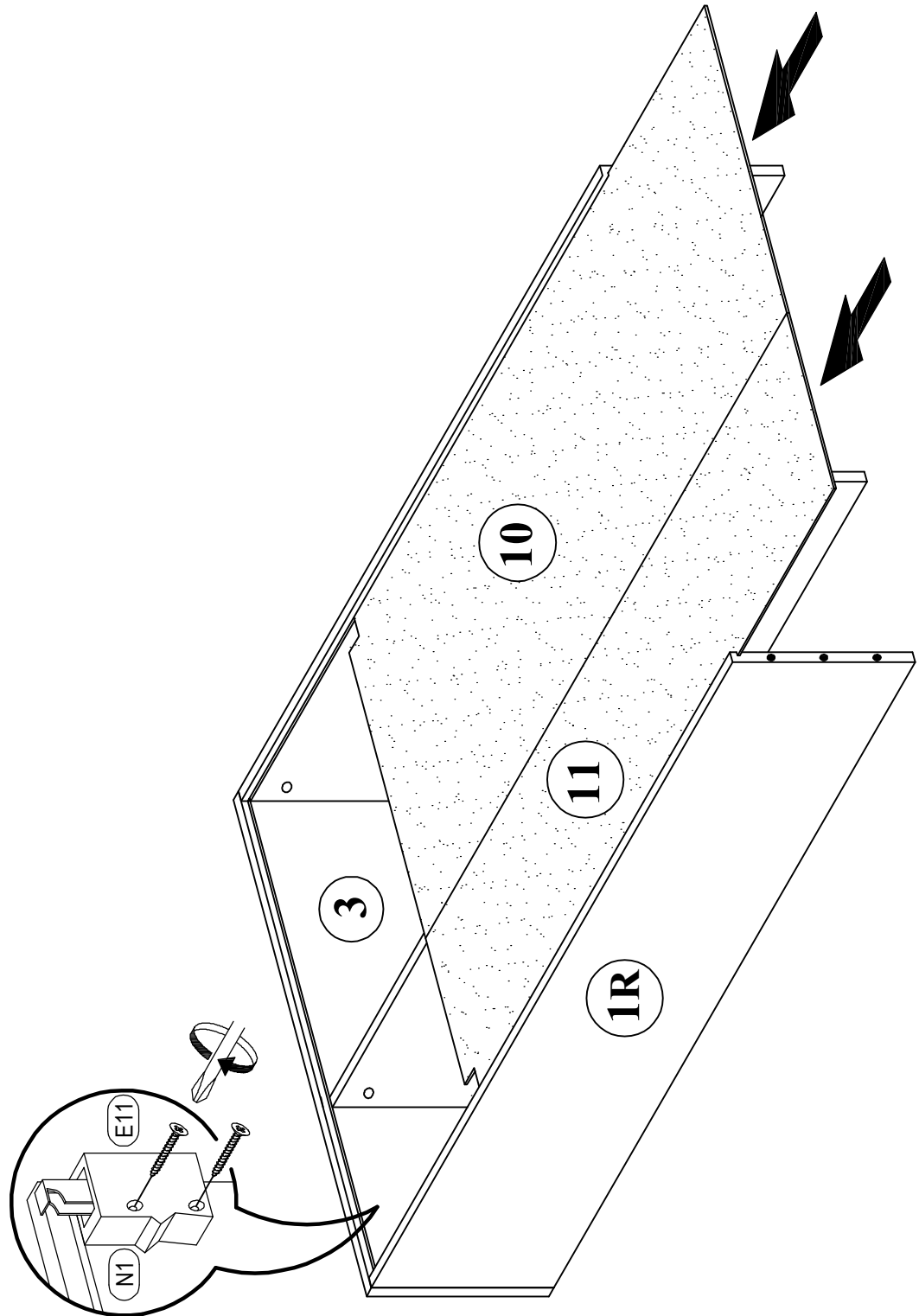
C

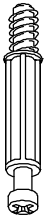
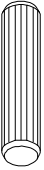

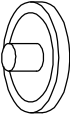


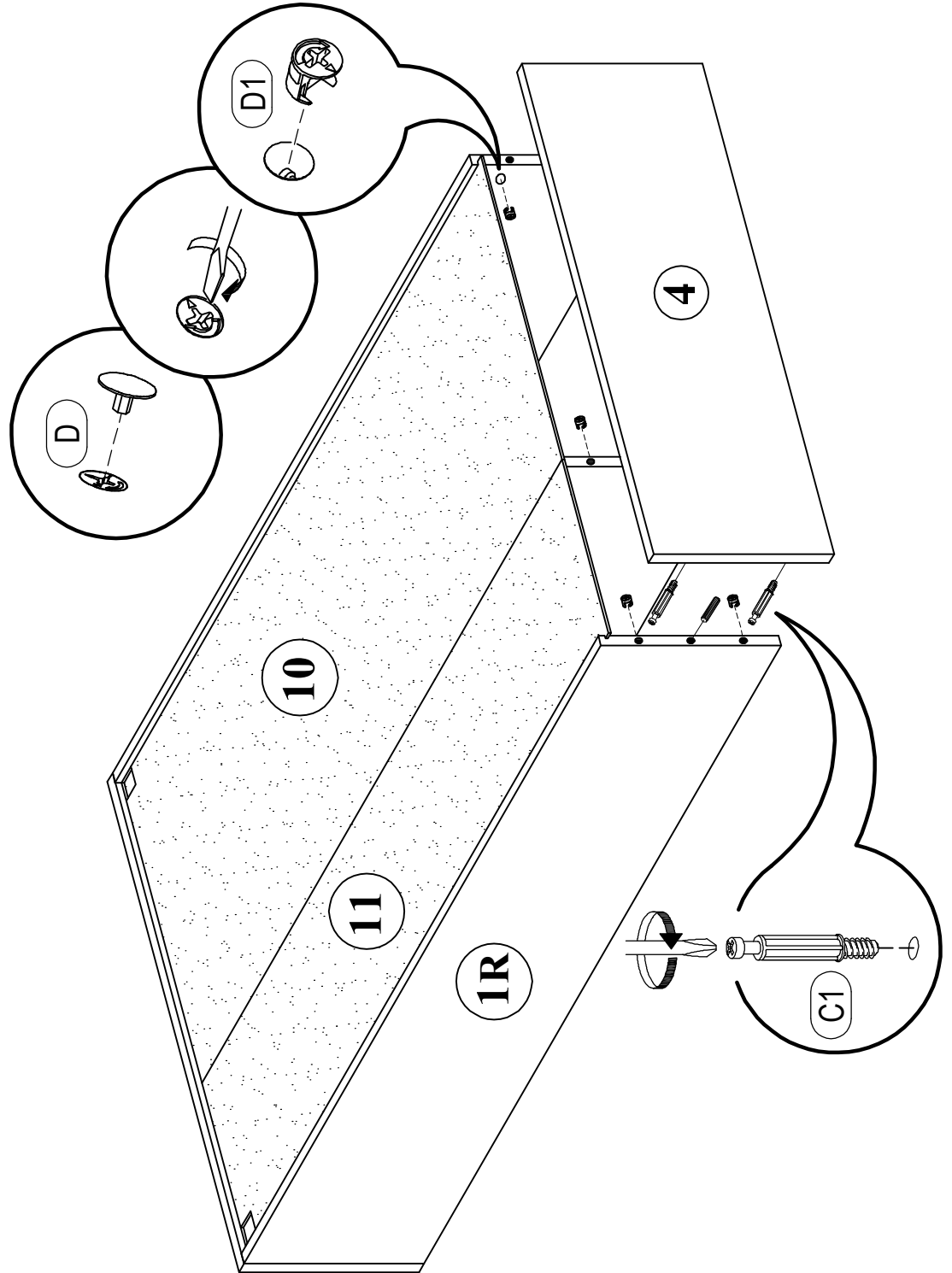
	C1	6*43mm	x6
	A1	8*30mm	x3
	D1	15/16	x6
	D	φ20mm	x6



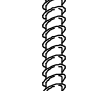


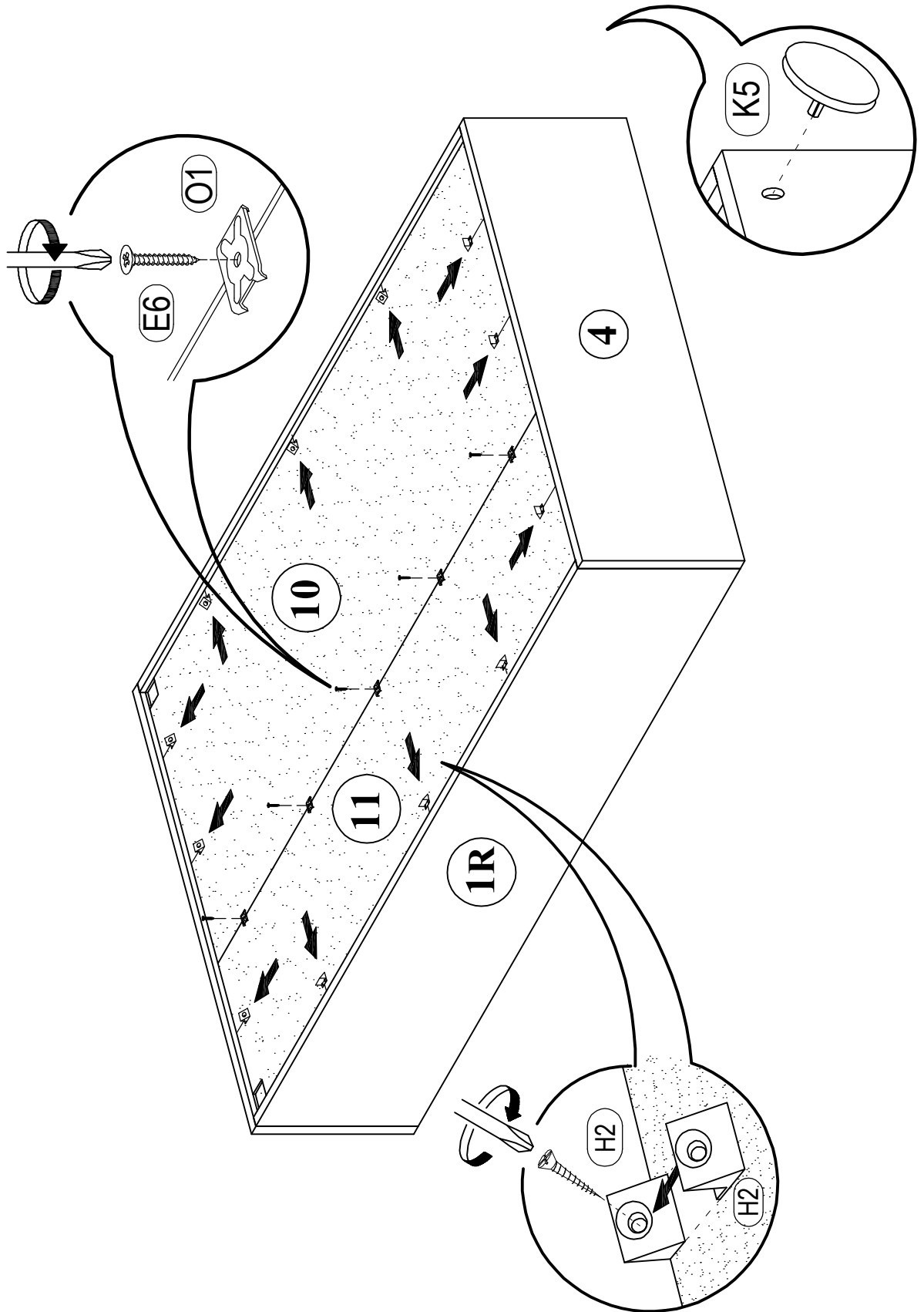
 N1 x2	 E11 4*30mm x4
---	---

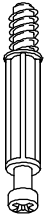

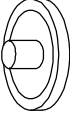


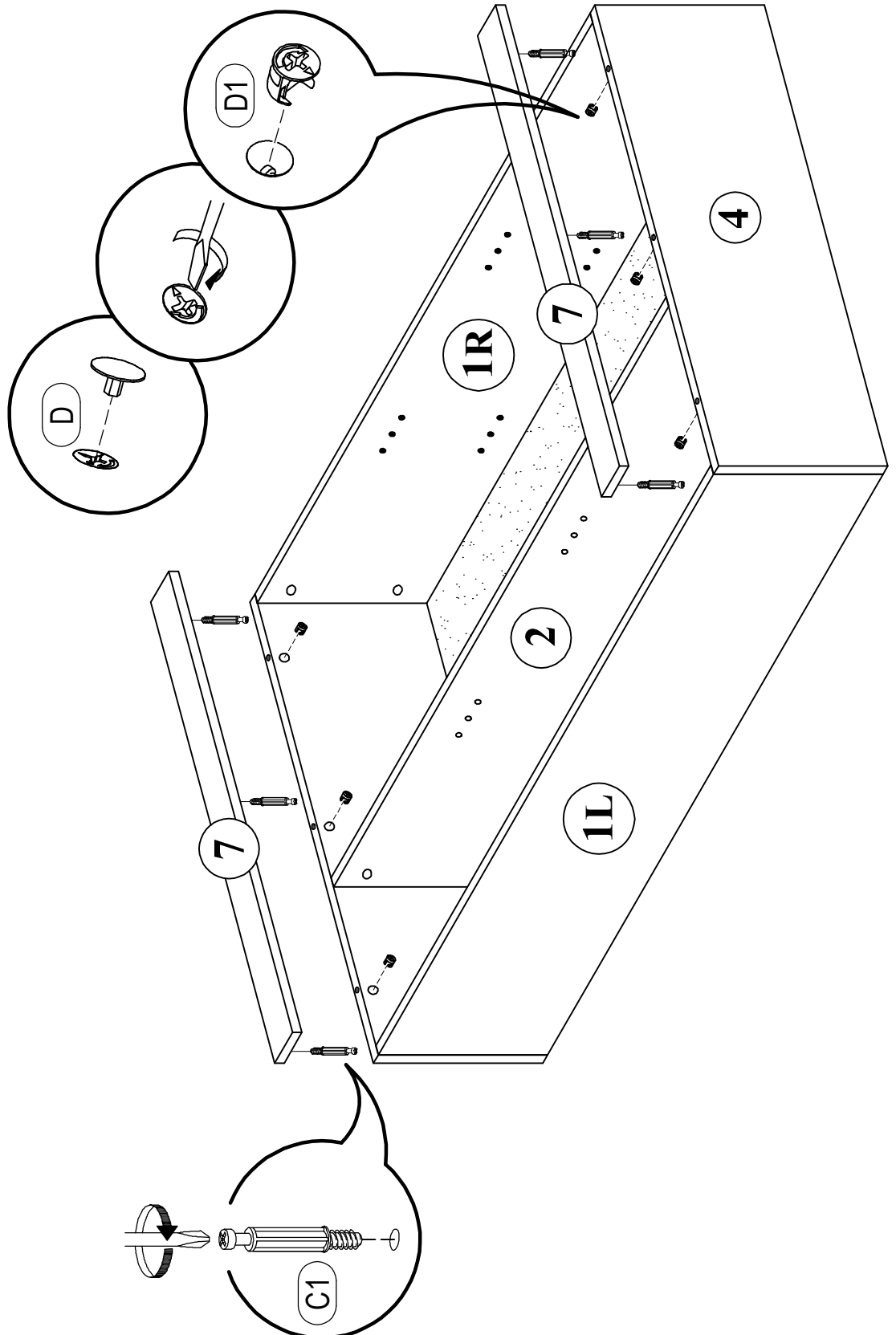
 <p>C1 6*43mm x6</p>	 <p>A1 8*30mm x3</p>	 <p>D1 15/16 x6</p>	 <p>D φ20mm x6</p>
--	--	---	--

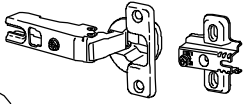
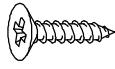




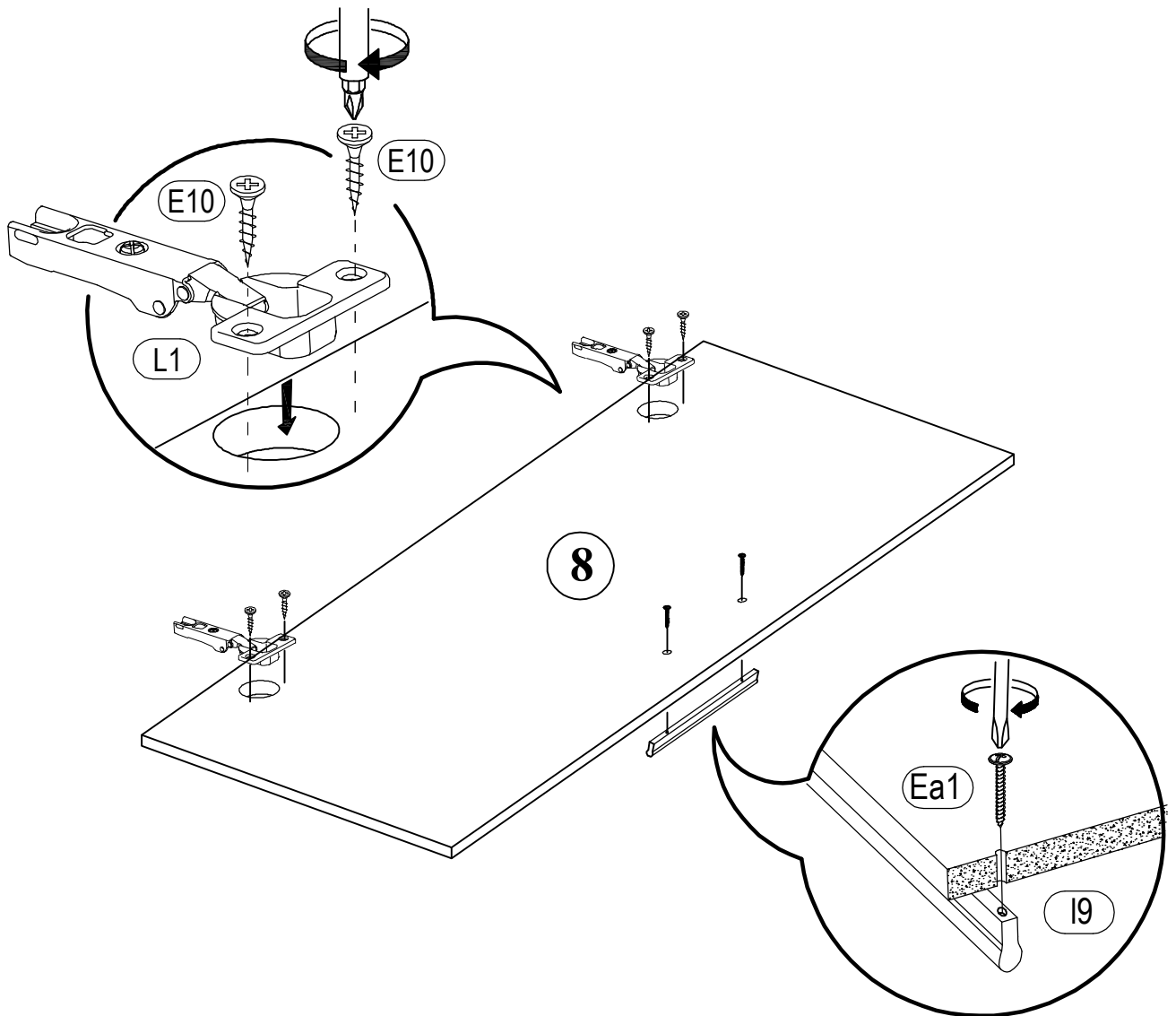
 H2	 O1	 E6 3,5*25mm x5
x12	x7	

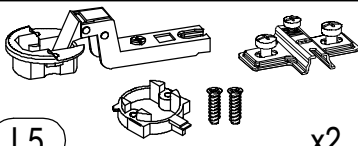
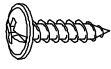




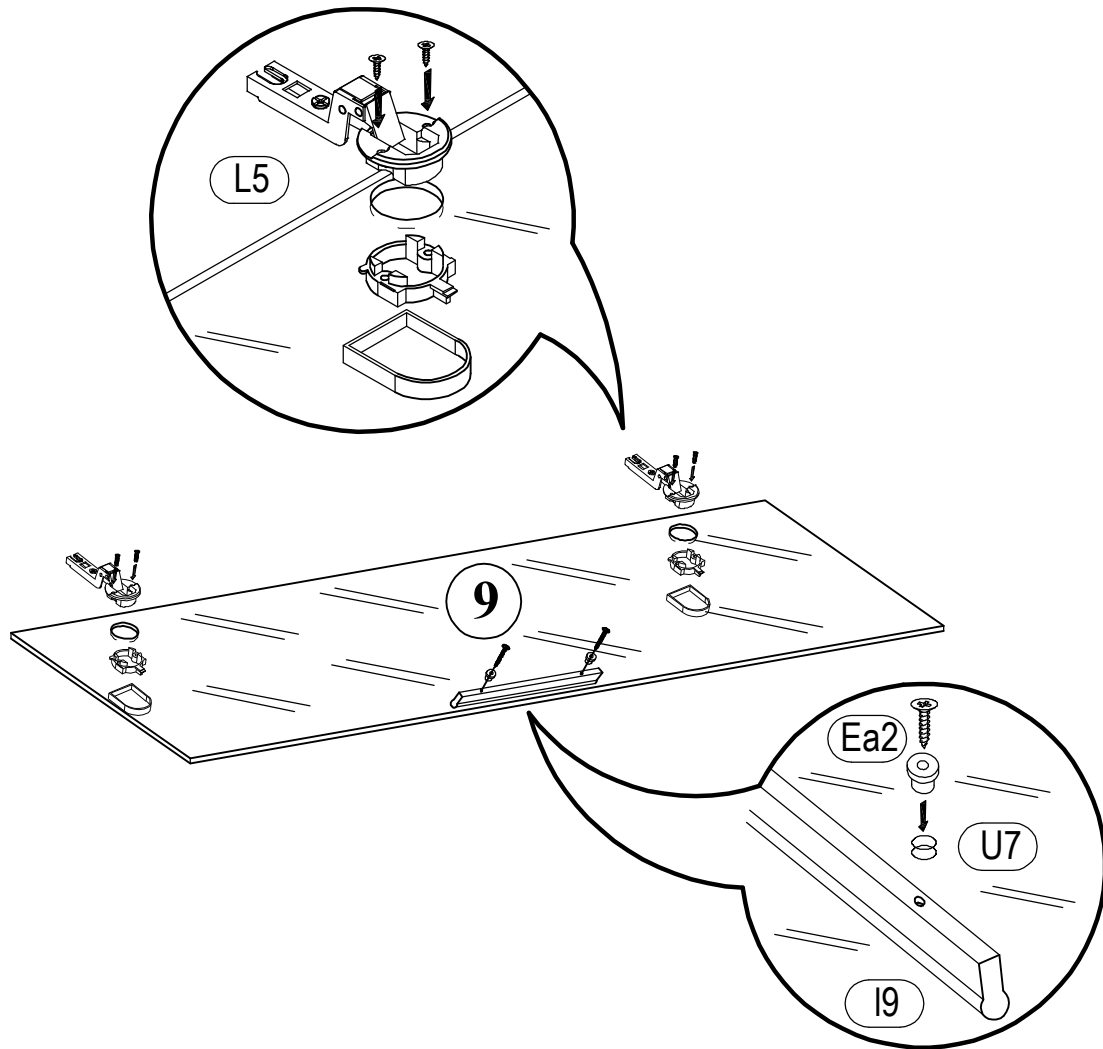
		
C1	D1	D
6*4.3mm	15/16	φ20mm
x6	x6	x6

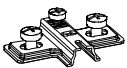
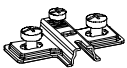
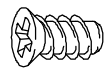
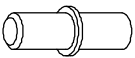


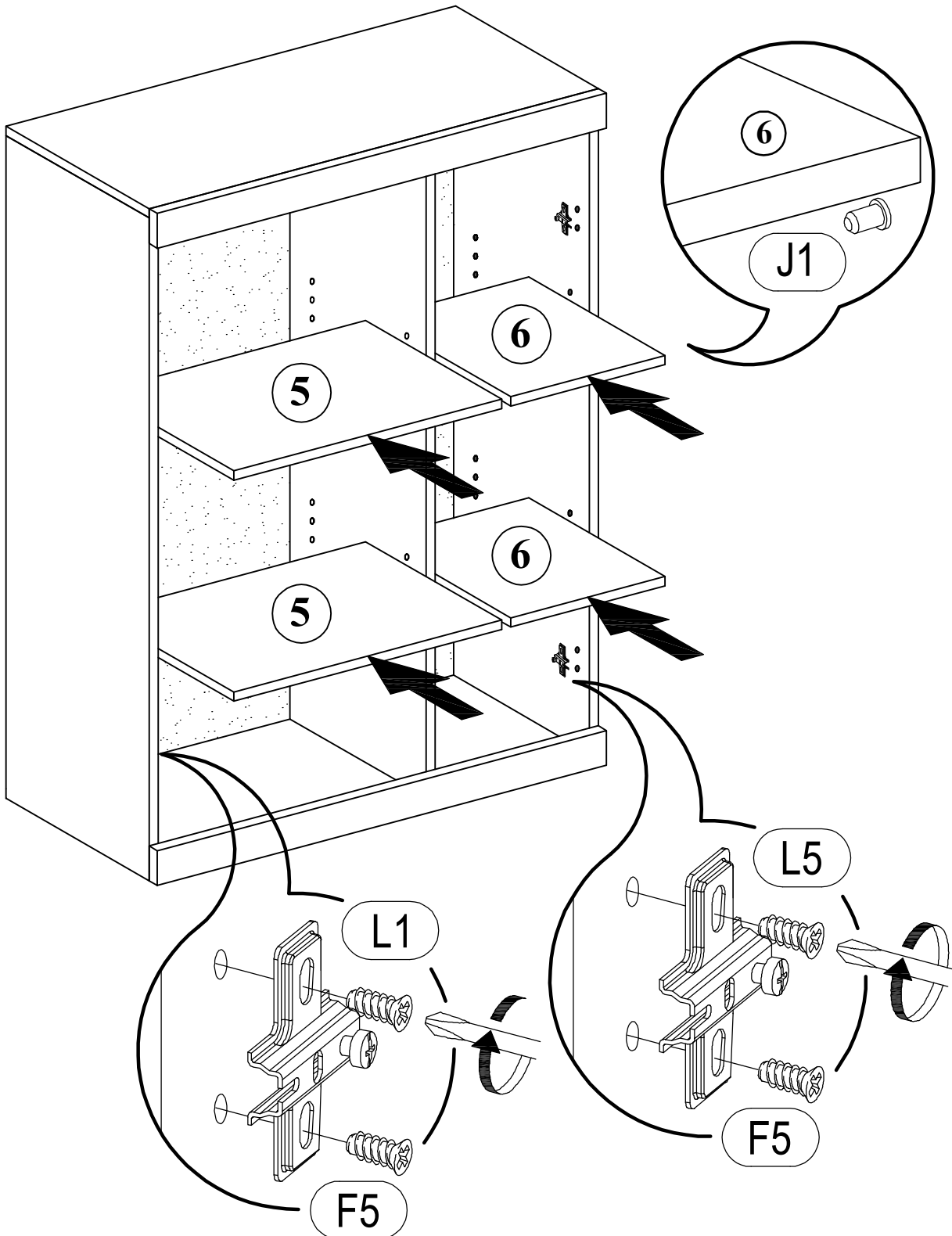
 <p>(L1) x2</p>	 <p>(E10) 4*16mm x4</p>	 <p>(Ea1) 3,5*27mm x2</p>
 <p>(I9) x1</p>		

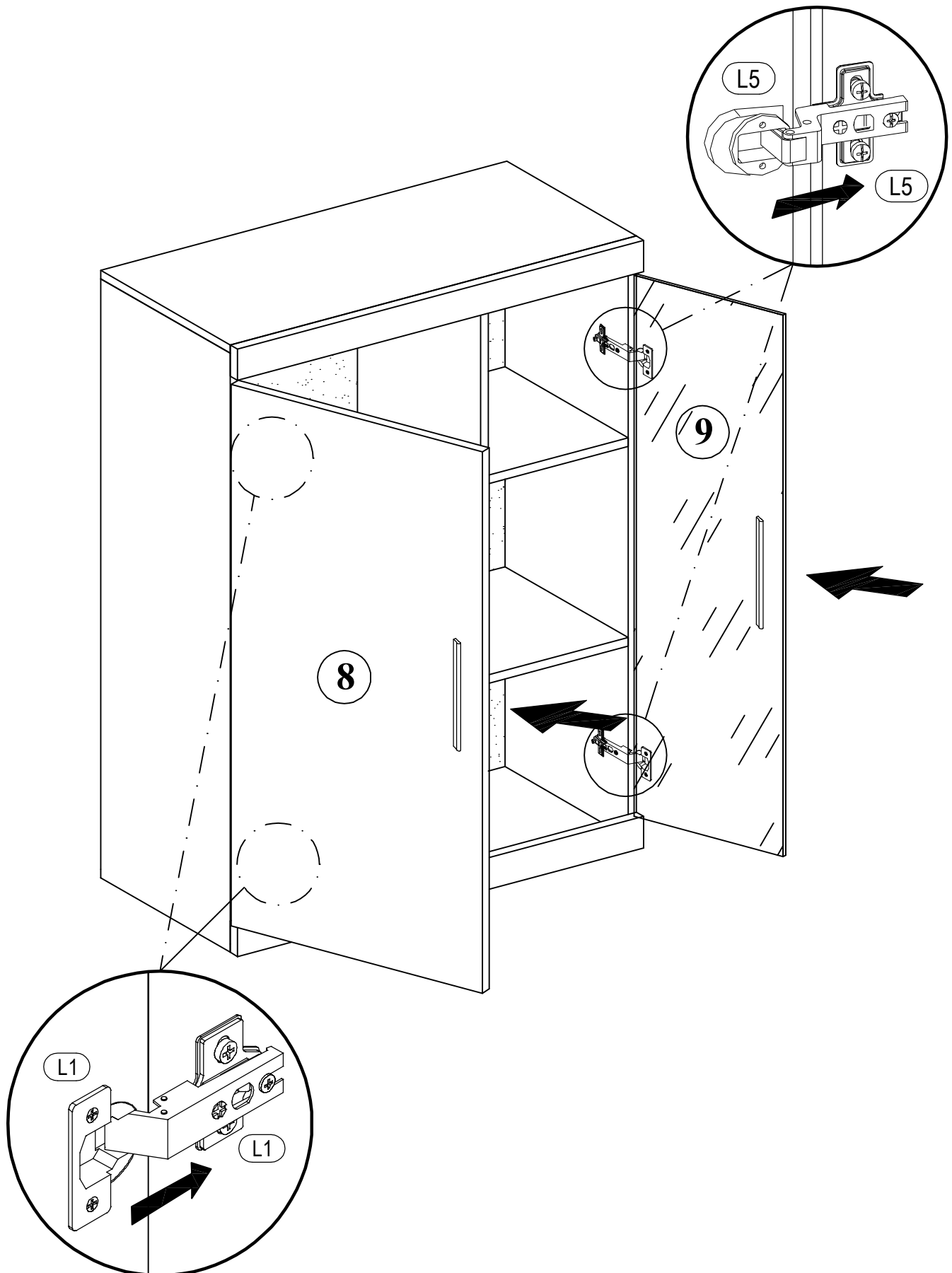


 <p>(L5) x2</p>	 <p>(Ea2) 4,2*16mm x2</p>	 <p>(U7) x2</p>
 <p>(I9) x1</p>		

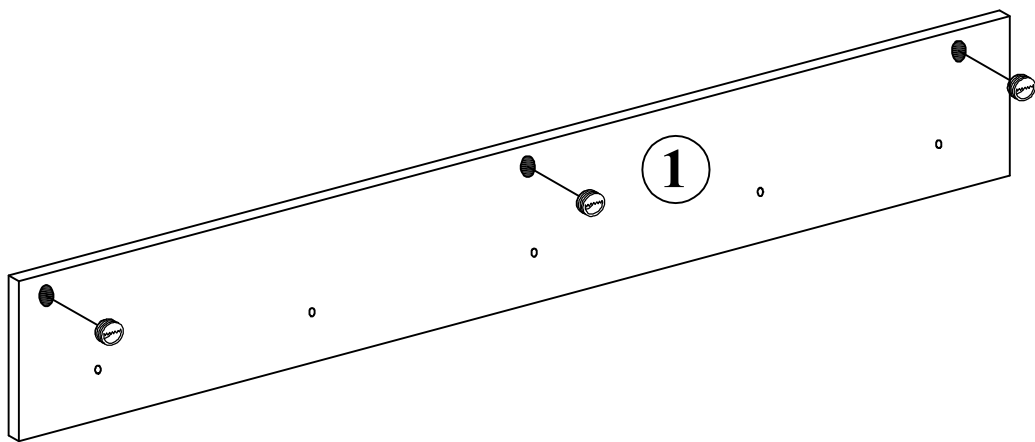
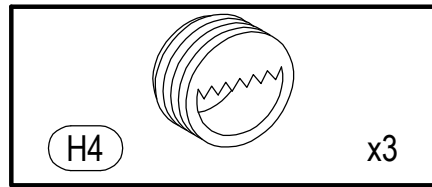
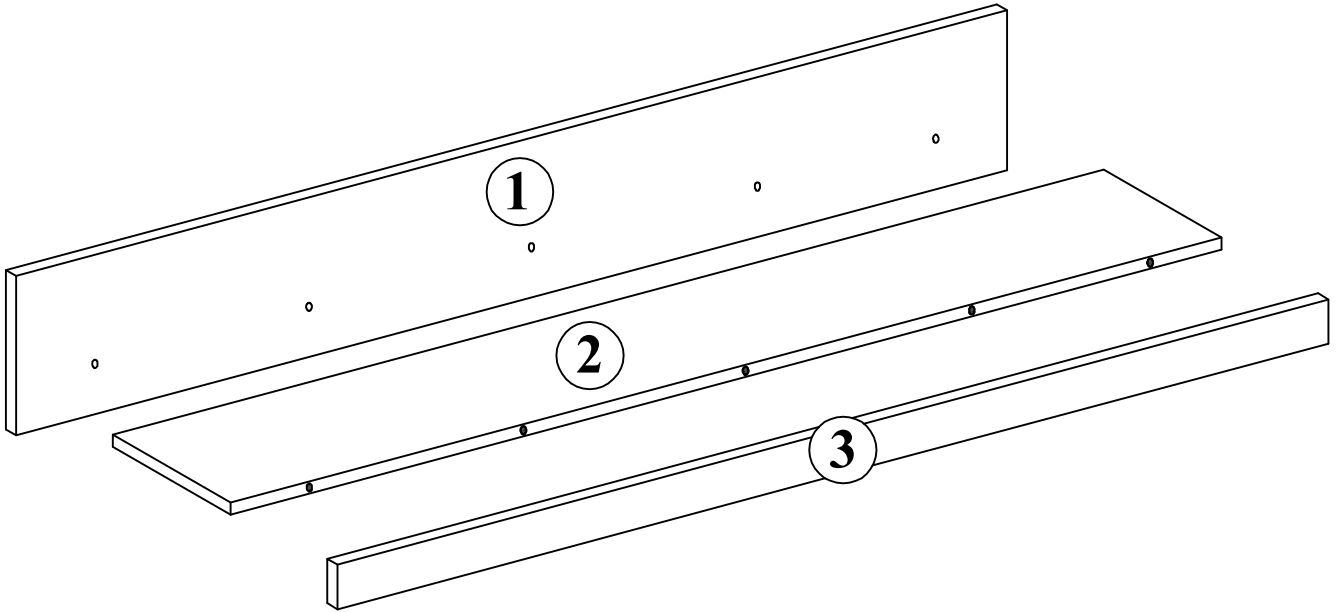




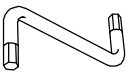
 L5 x2	 L1 x2	 F2 6,3*13mm x8
 J1 5*16mm x16		

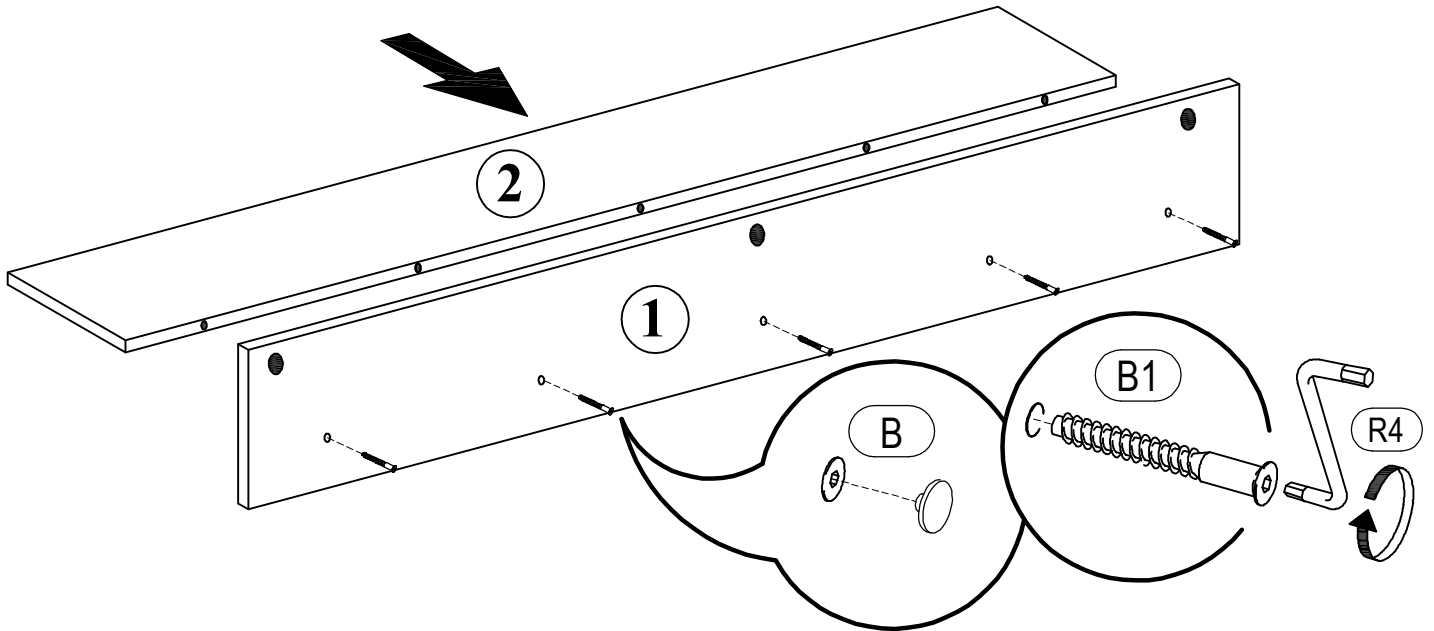


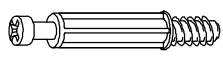
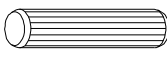



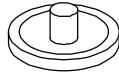
D

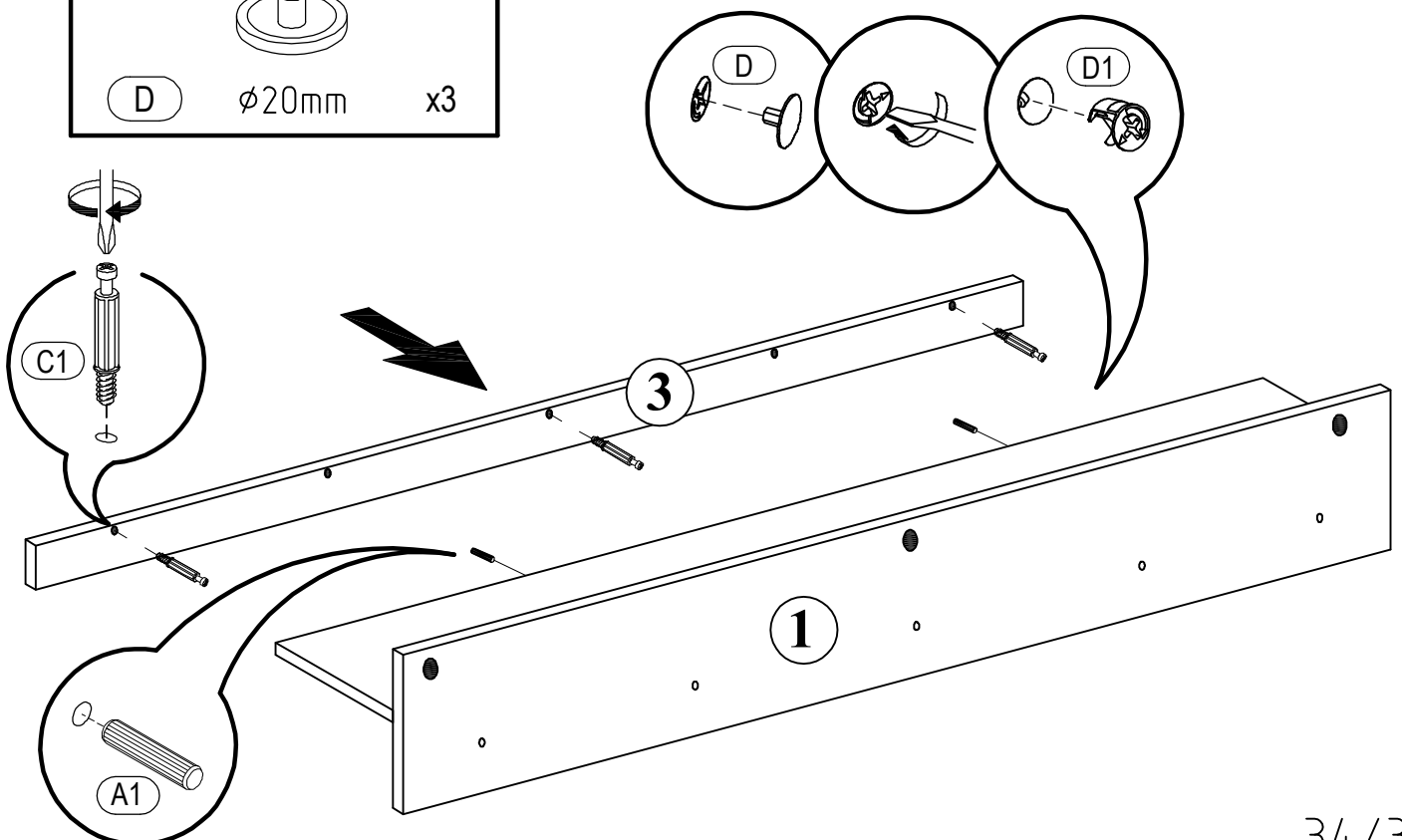


 (B1) 6,3*50mm x5	 (B) ϕ 12mm x5	 (R4) N°4 x1
--	--	---



 (C1) 6*43mm x3	 (A1) 8*30mm x2	 (D1) 15/16 x3
--	--	---

 (D) ϕ 20mm x3
--



CALIFORNIA

