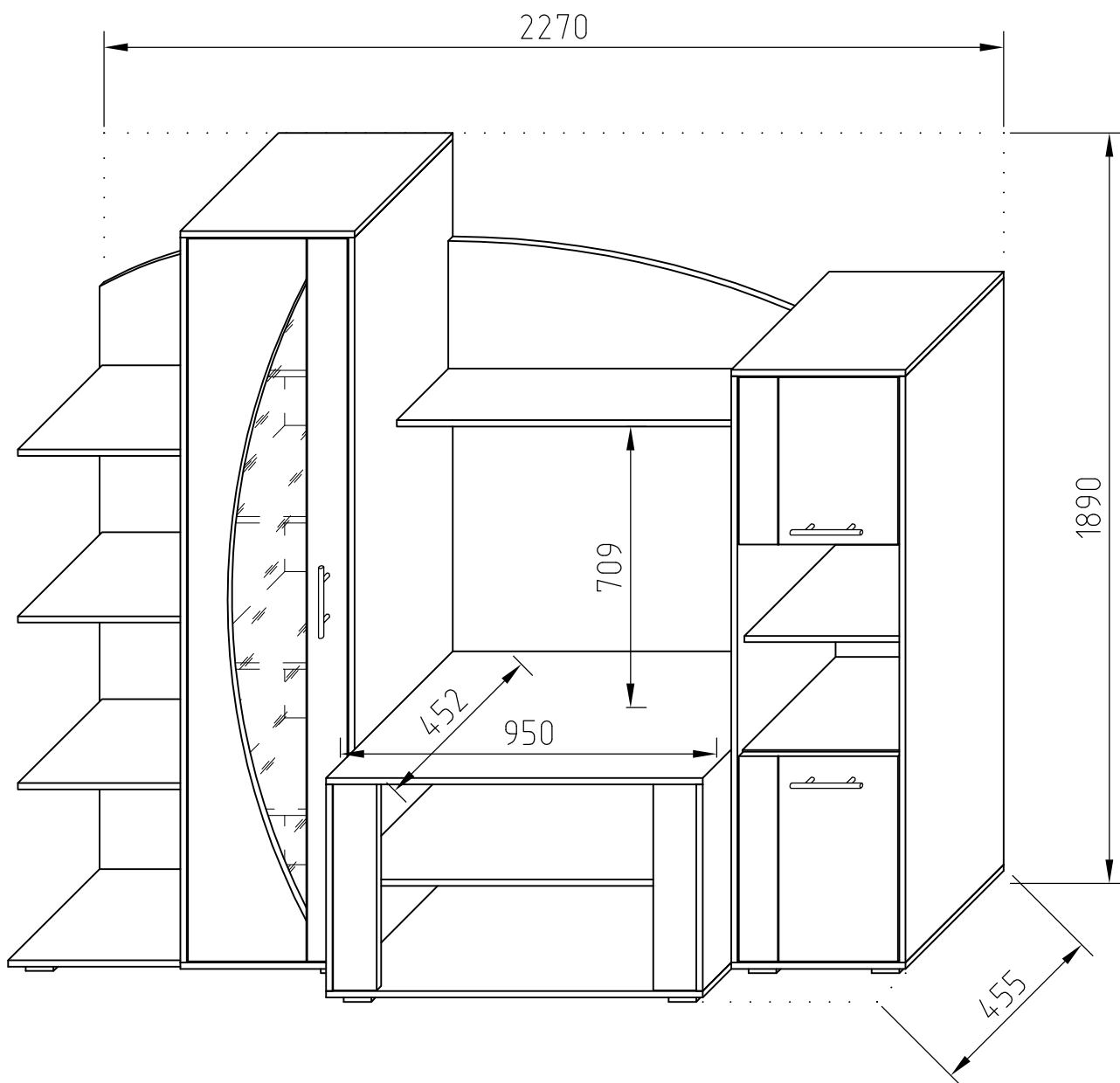
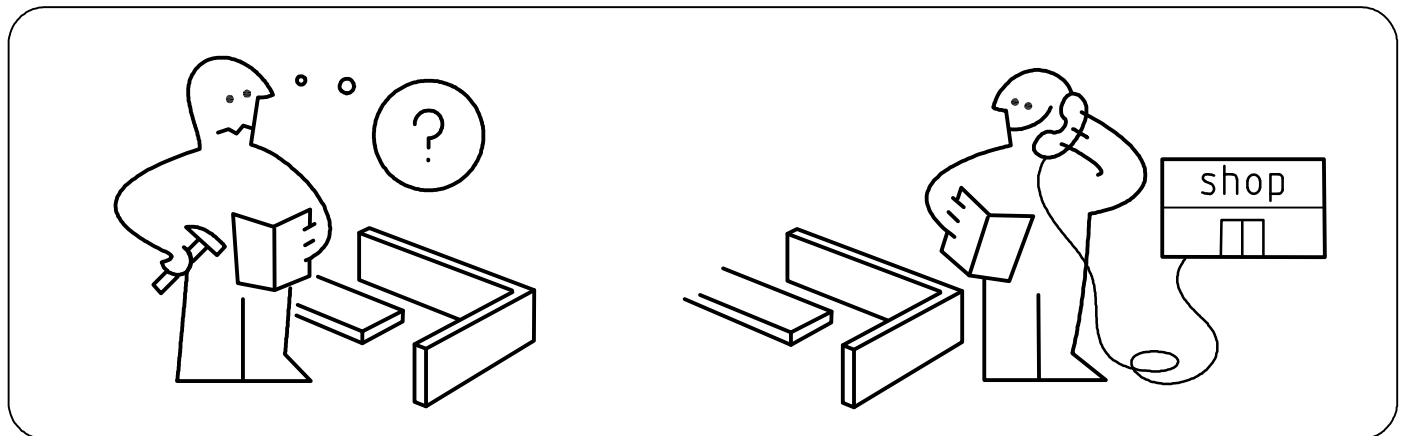
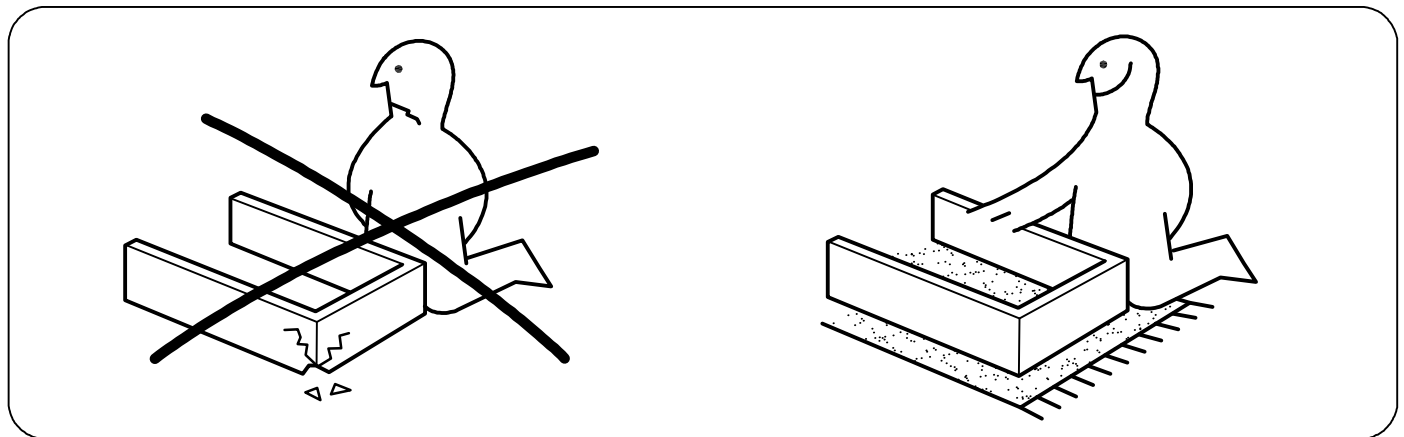
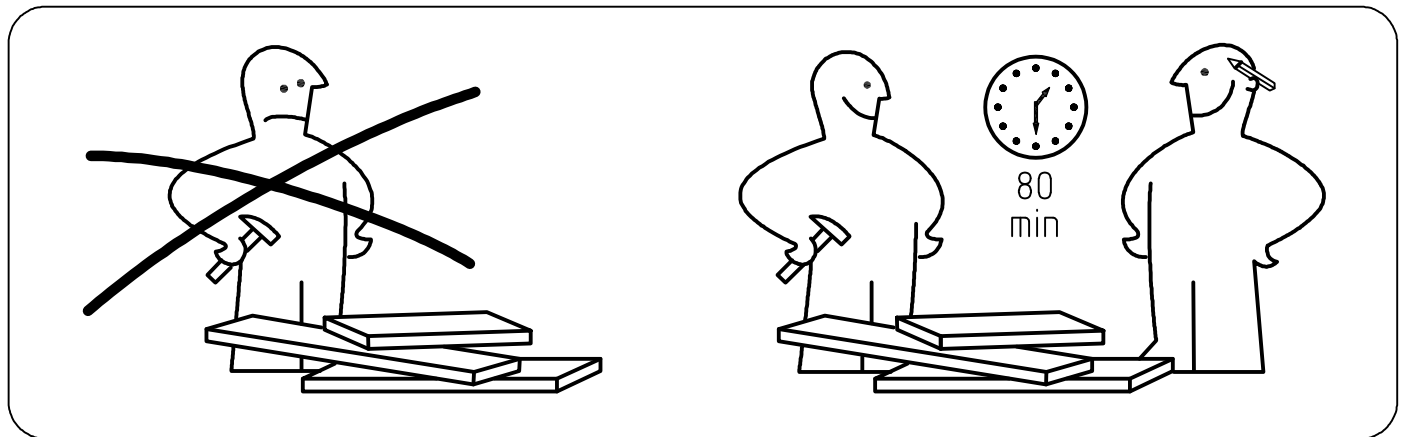
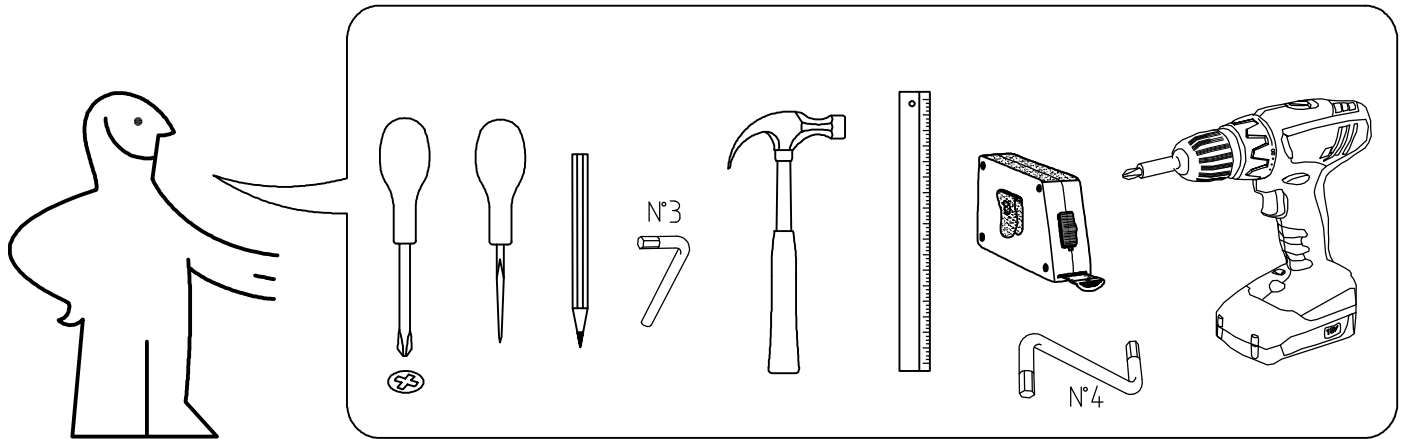






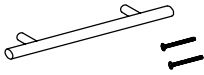

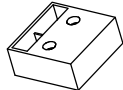
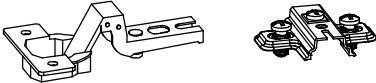
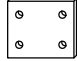
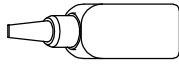
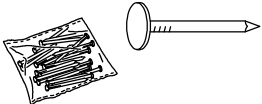


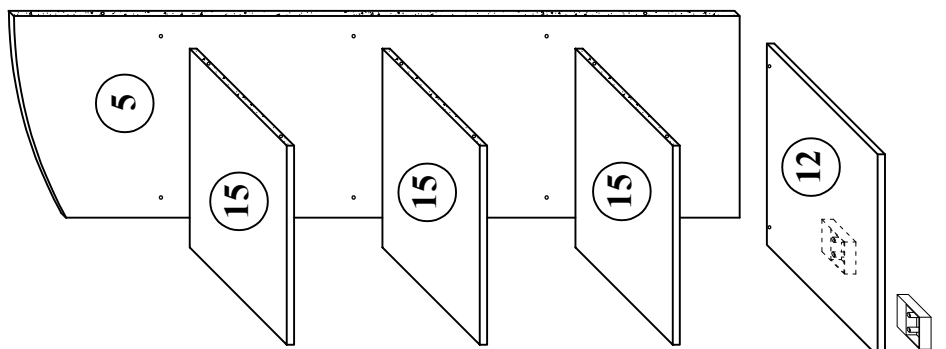
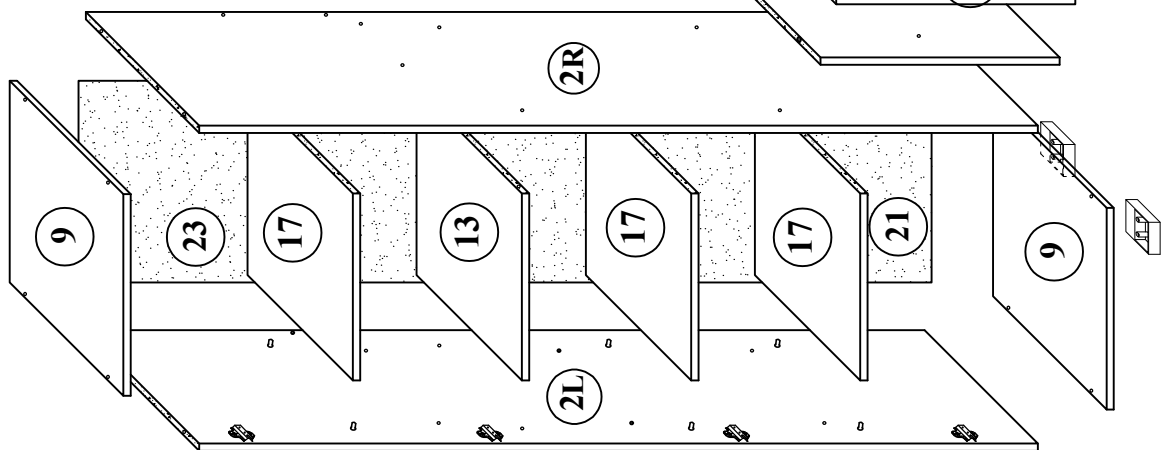
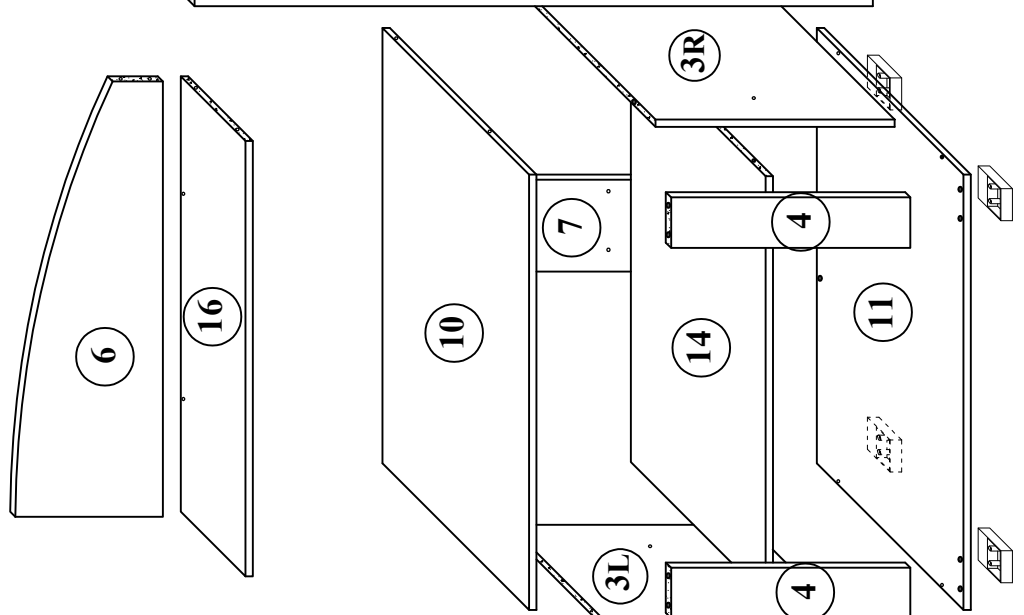
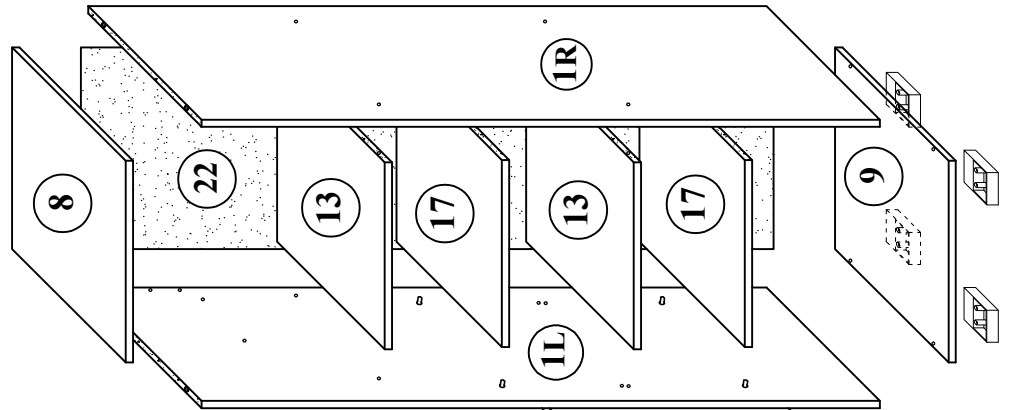
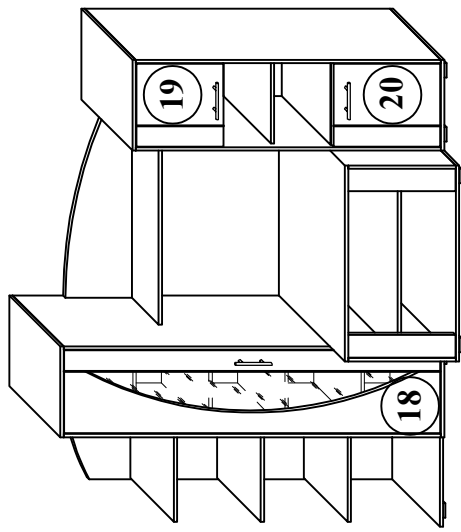
MADERA


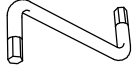




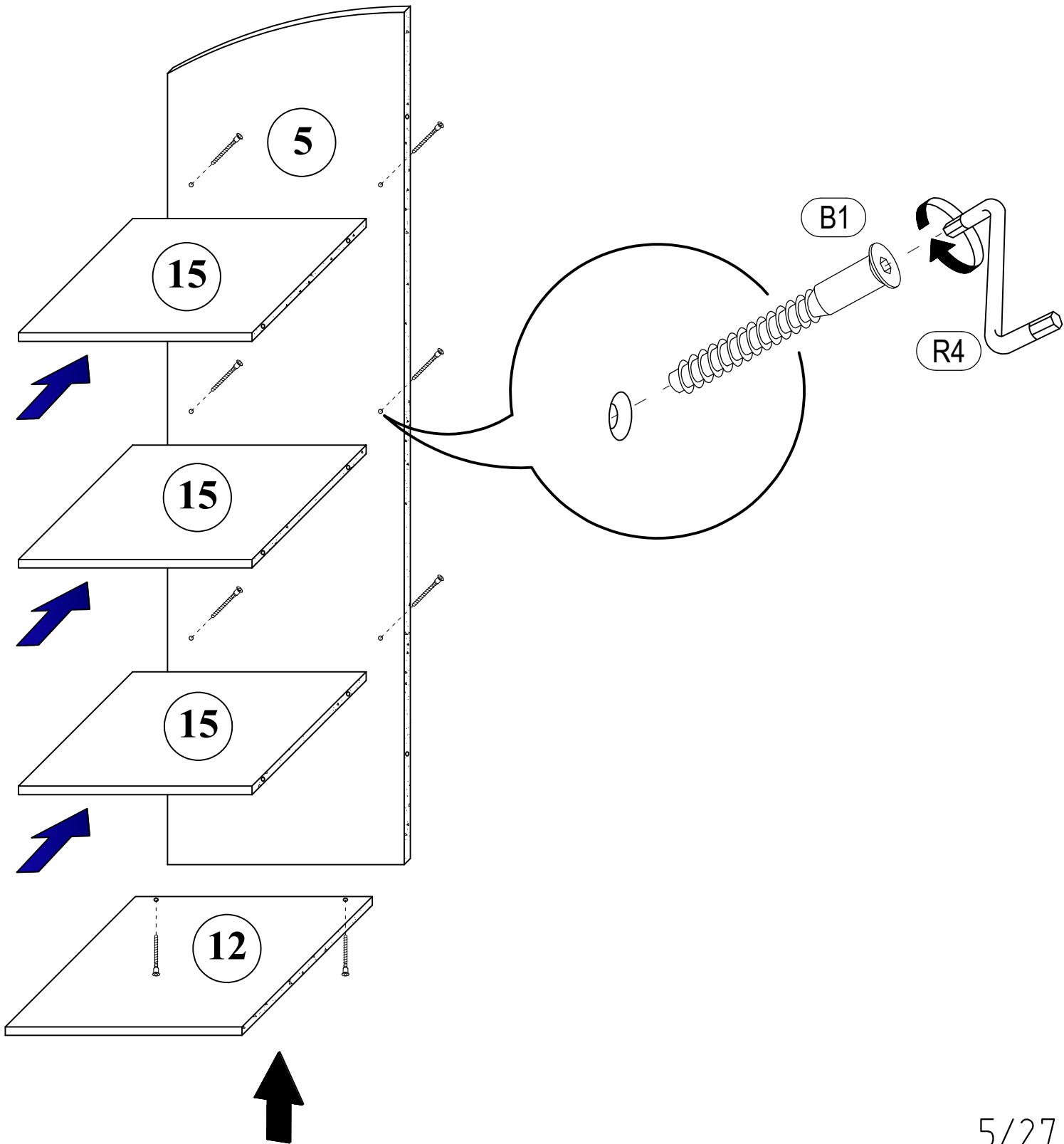
 (A1) 8*30mm x20	 (B) x64	 (B1) 6,3*50mm x64
 (E9) 4*16mm x24	 (E11) 4*35mm x26	 (F5) 6,3*13mm x16
 (I11) 96 x3	 (J1) 5*16mm x21	 (K4) x13
 (L3) x8	 (O3) 35x30 x2	 (R1) x1
 (R3) 1.4*25mm 0.030kg		

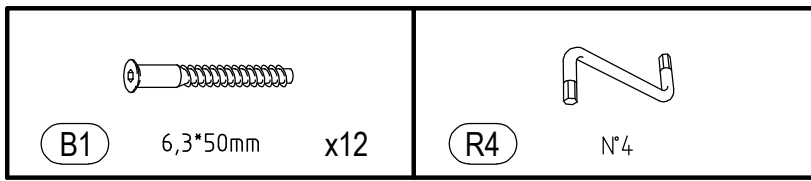
No	a*b	x	N°→...	No	a*b	x	N°→...
1R	1480x350	x1	2/4	13	408x332	x1	2/4
1L	1480x350	x1	2/4		408x332	x2	3/4
2R	1830x350	x1	2/4	14	918x416	x1	3/4
2L	1830x350	x1	2/4	15	434x300	x1	3/4
3R	522x452	x1	3/4		434x300	x2	2/4
3L	522x452	x1	3/4	16	950x200	x1	2/4
4	522x110	x2	3/4	17	408x325	x5	2/4
5	1584x440	x1	1/4	18	1824x402	x1	4/4
6	322x950	x1	2/4	19	422x402	x1	3/4
7	522x200	x1	3/4	20	518x402	x1	3/4
8	440x350	x1	1/4	21	1102x437	x1	3/4
9	440x350	x3	1/4	22	1508x437	x1	1/4
10	950x452	x1	3/4	23	754x437	x1	3/4
11	950x452	x1	3/4				
12	440x342	x1	3/4				



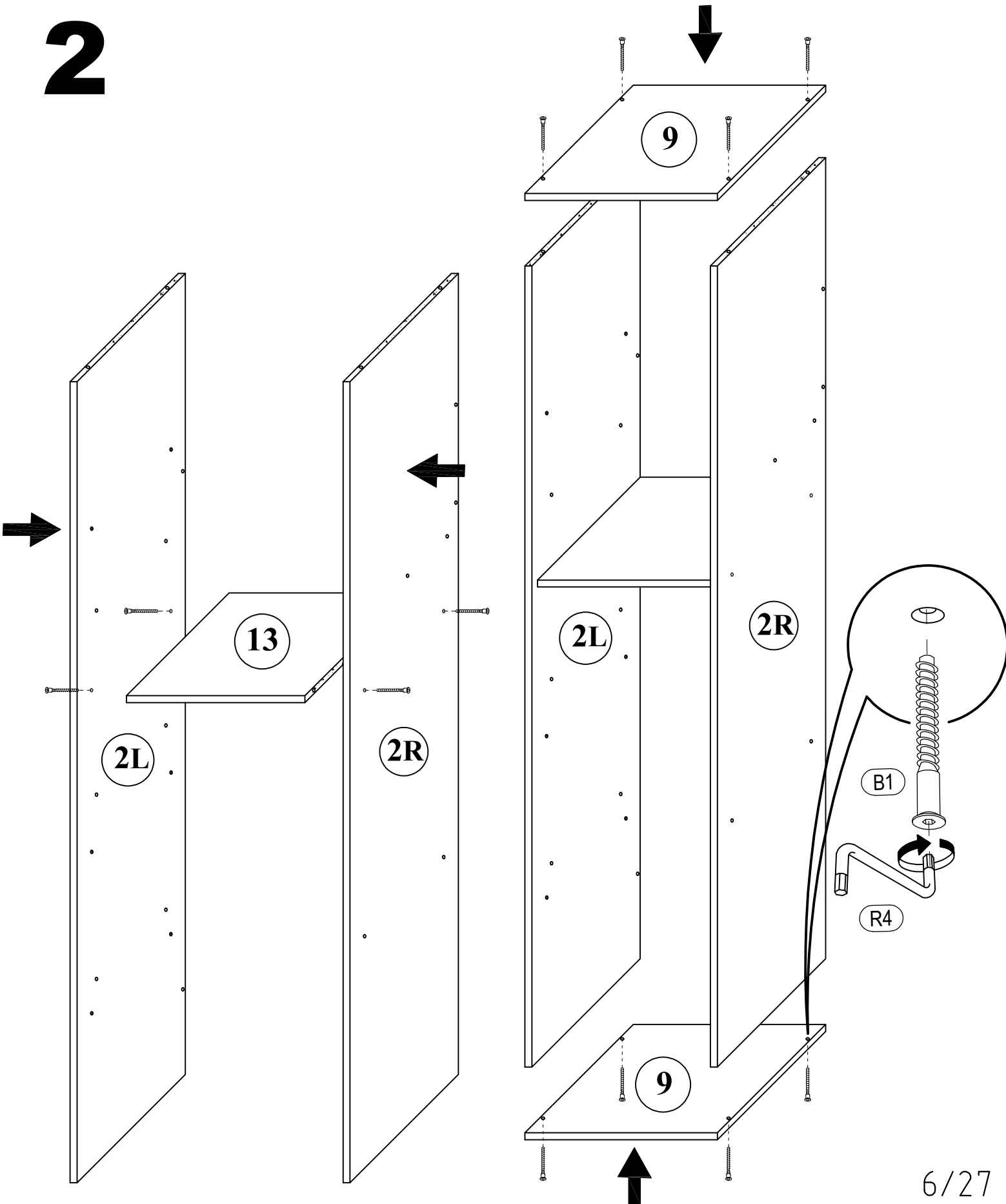
 B1 6,3*50mm x8	 R4 N°4
---	---

1

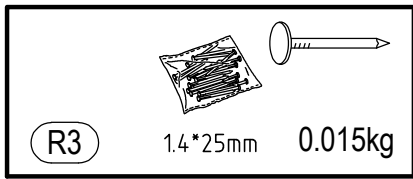
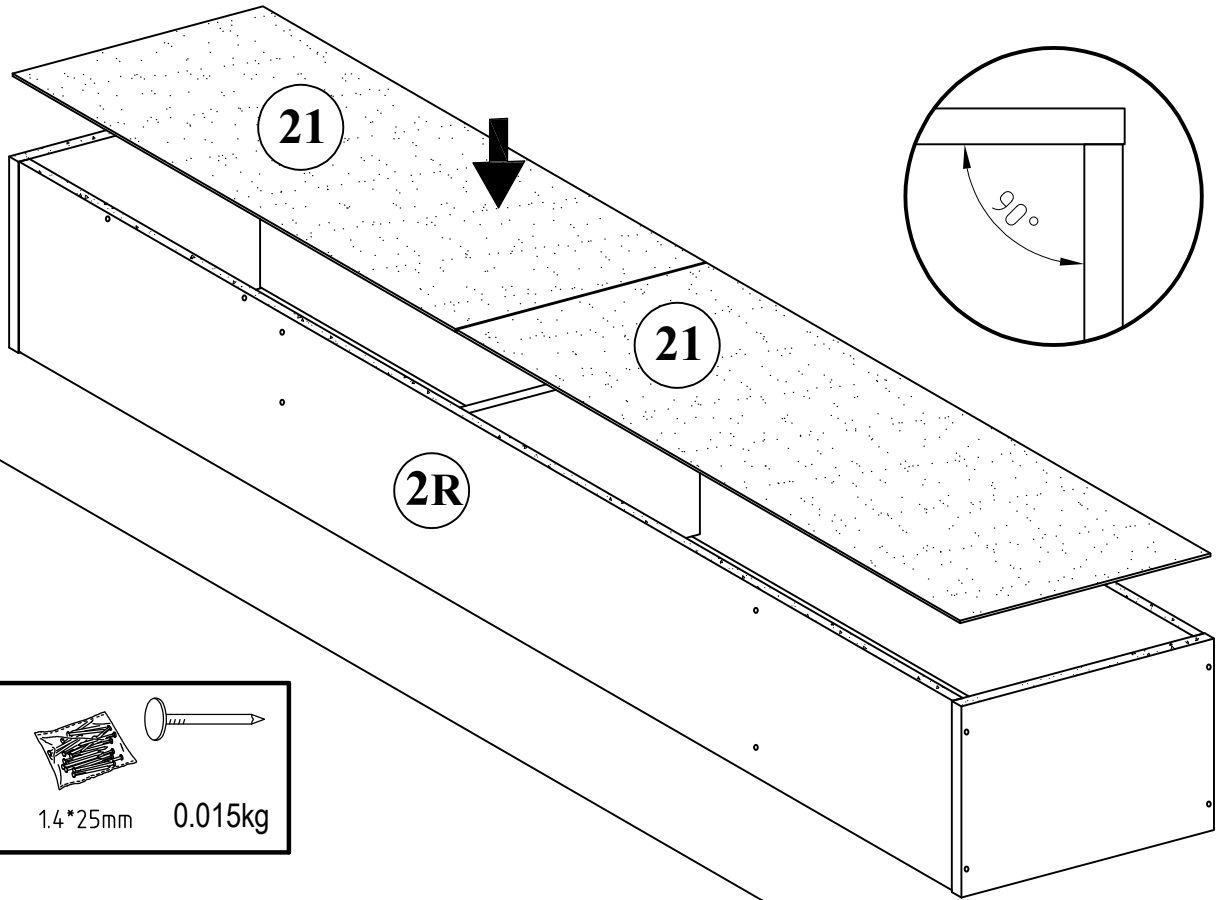




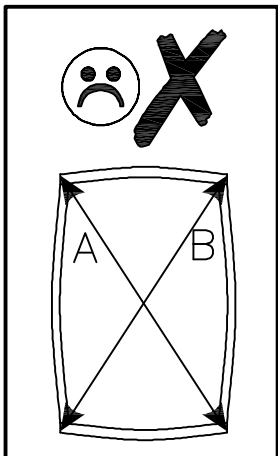
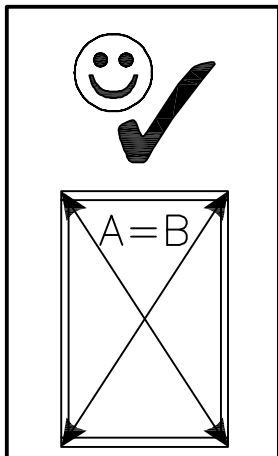
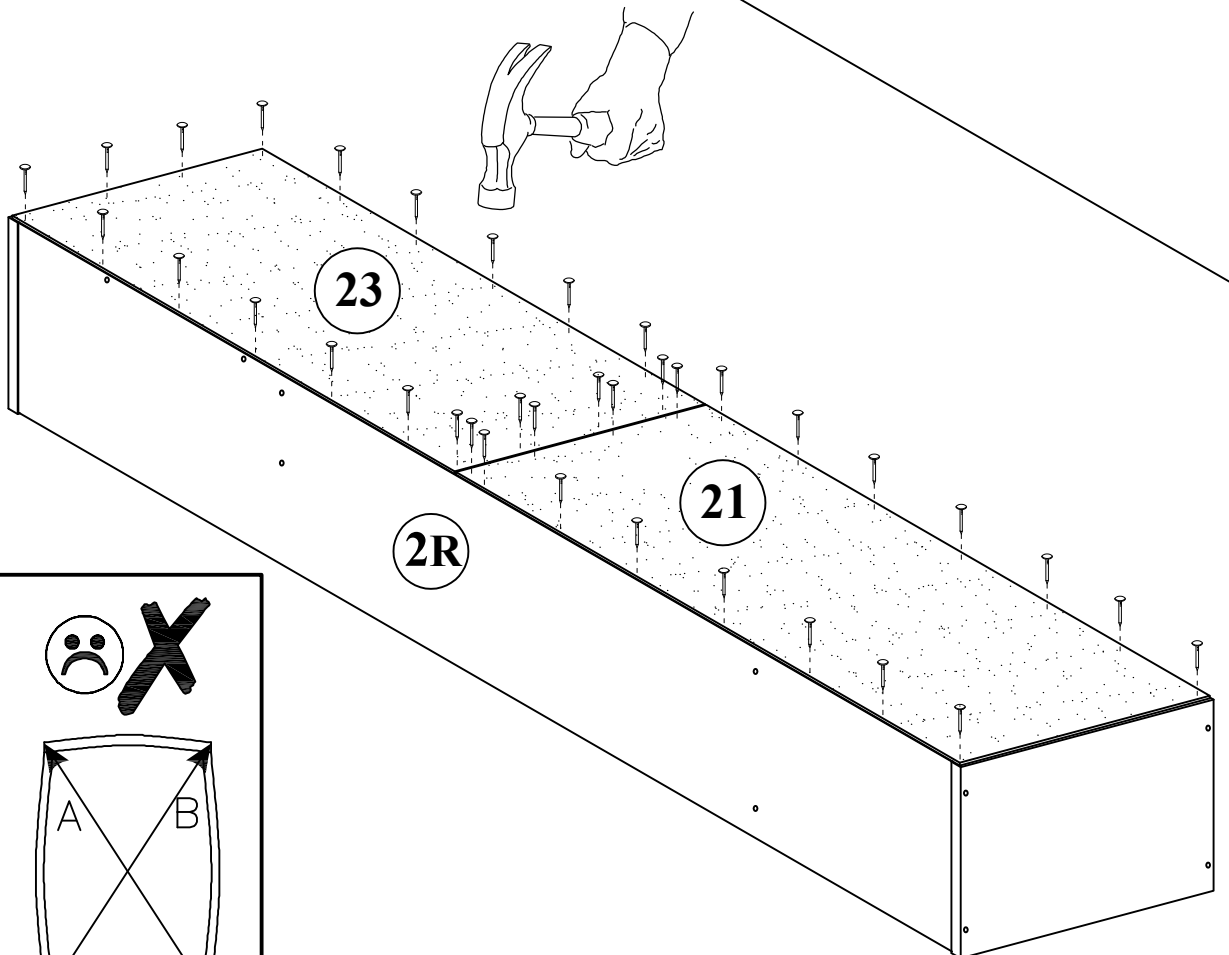
2

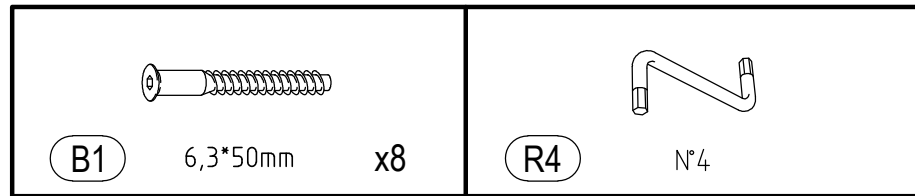


3

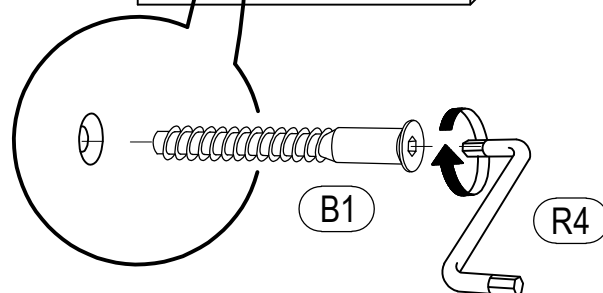
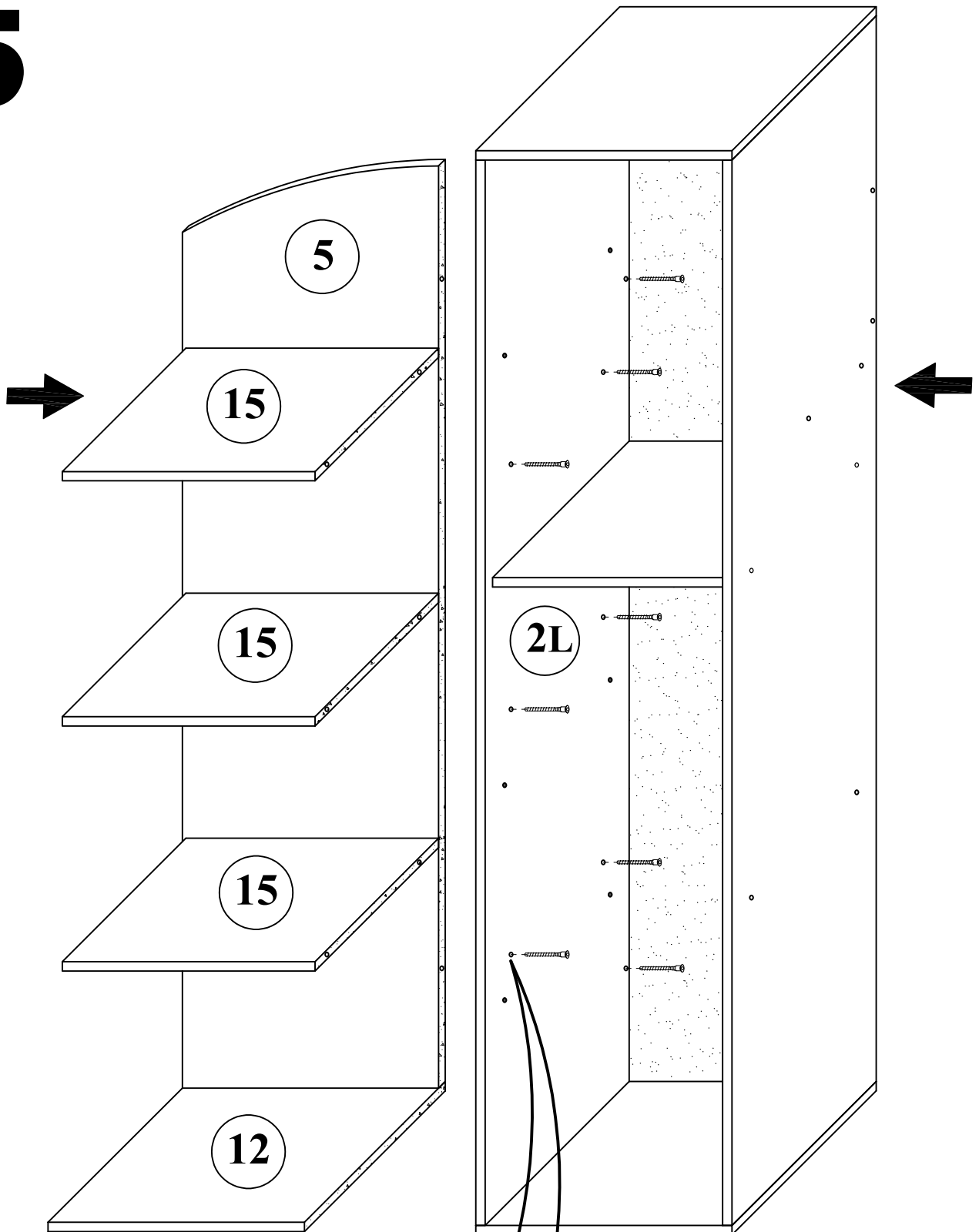


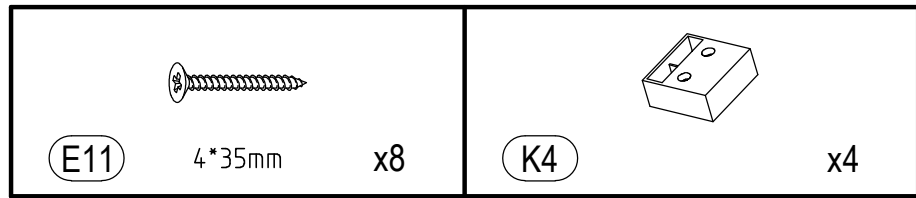
4



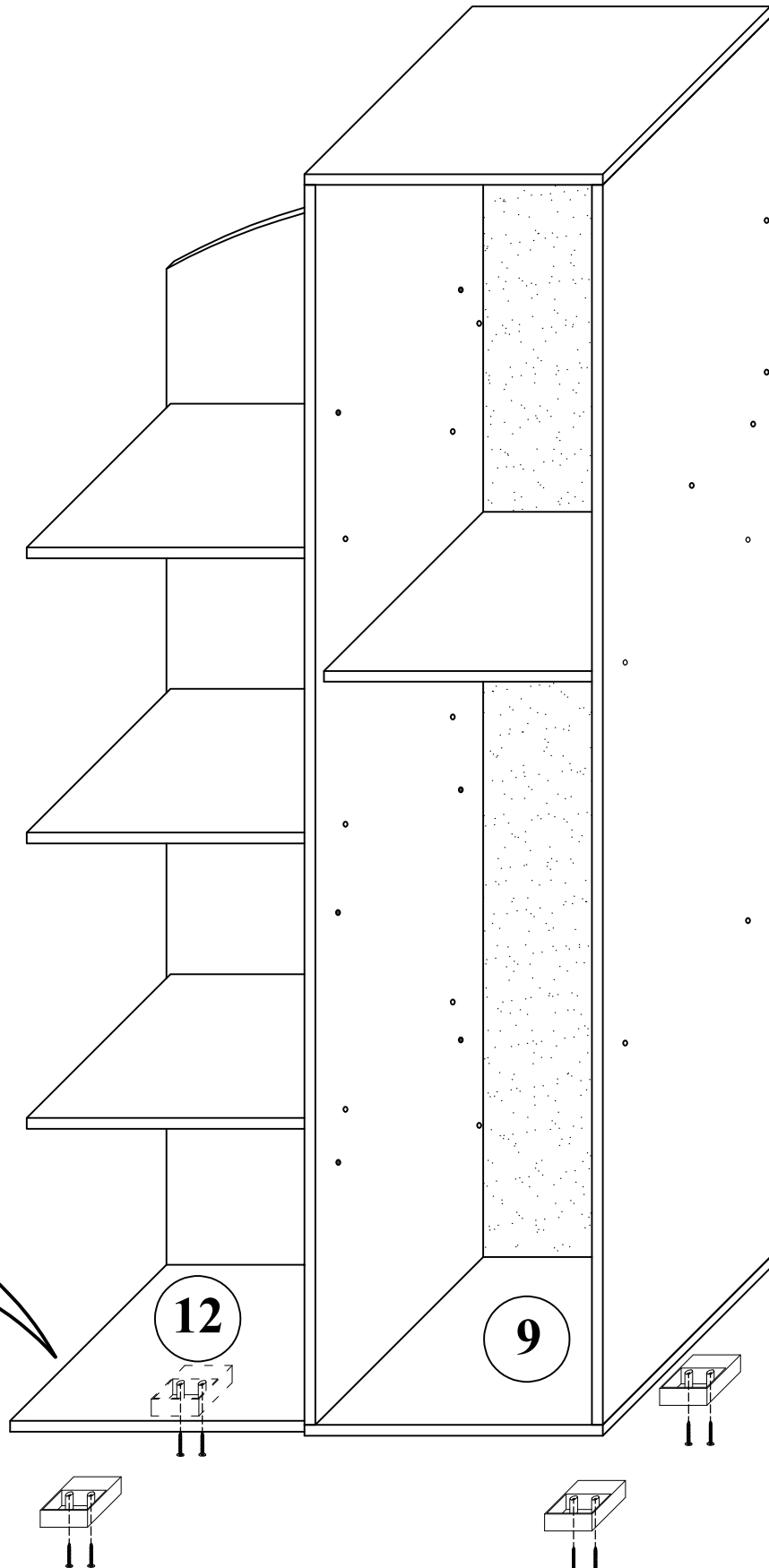
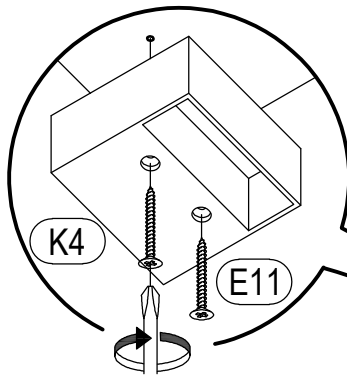


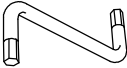
5



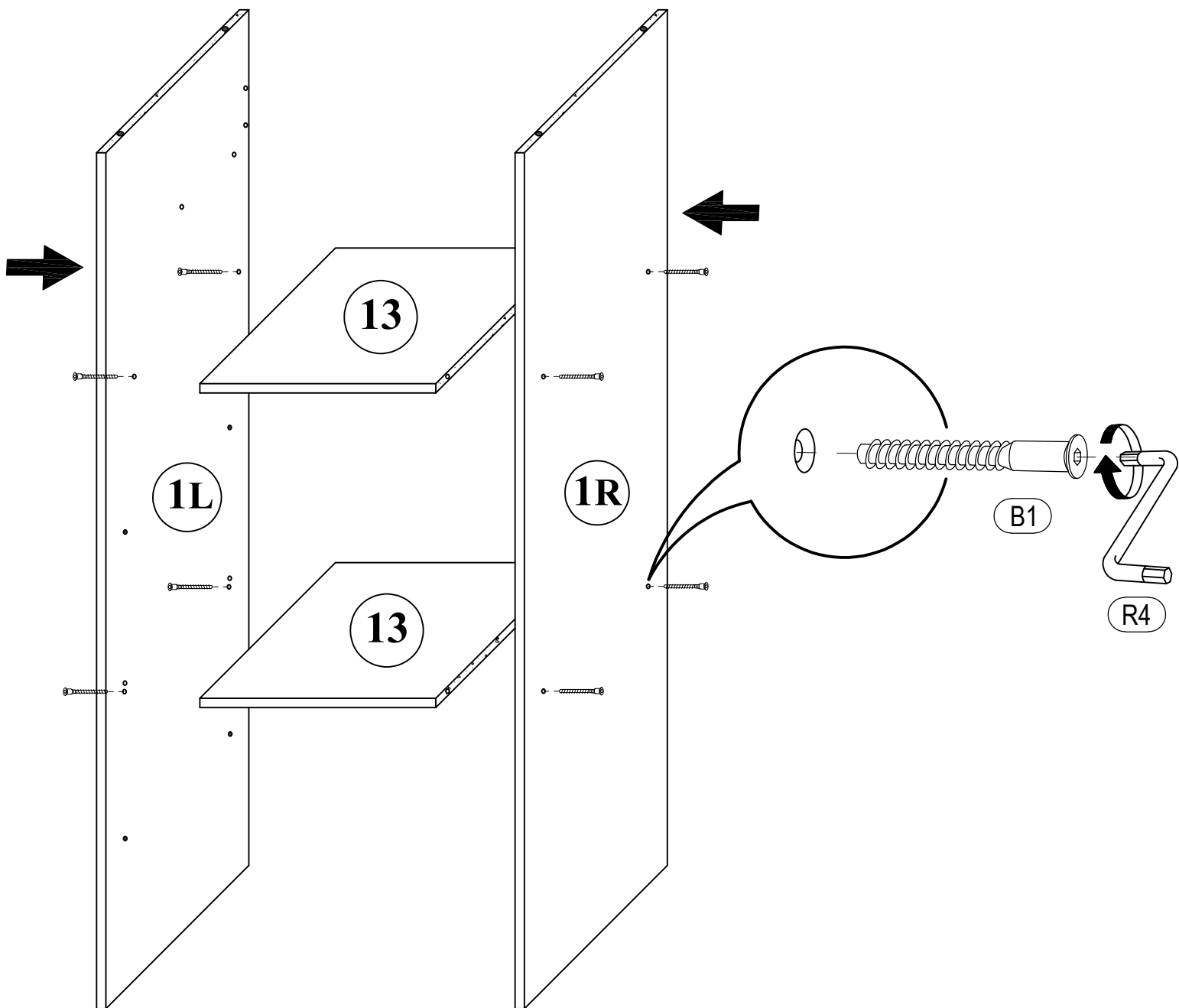


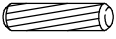

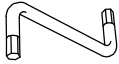
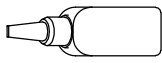
6



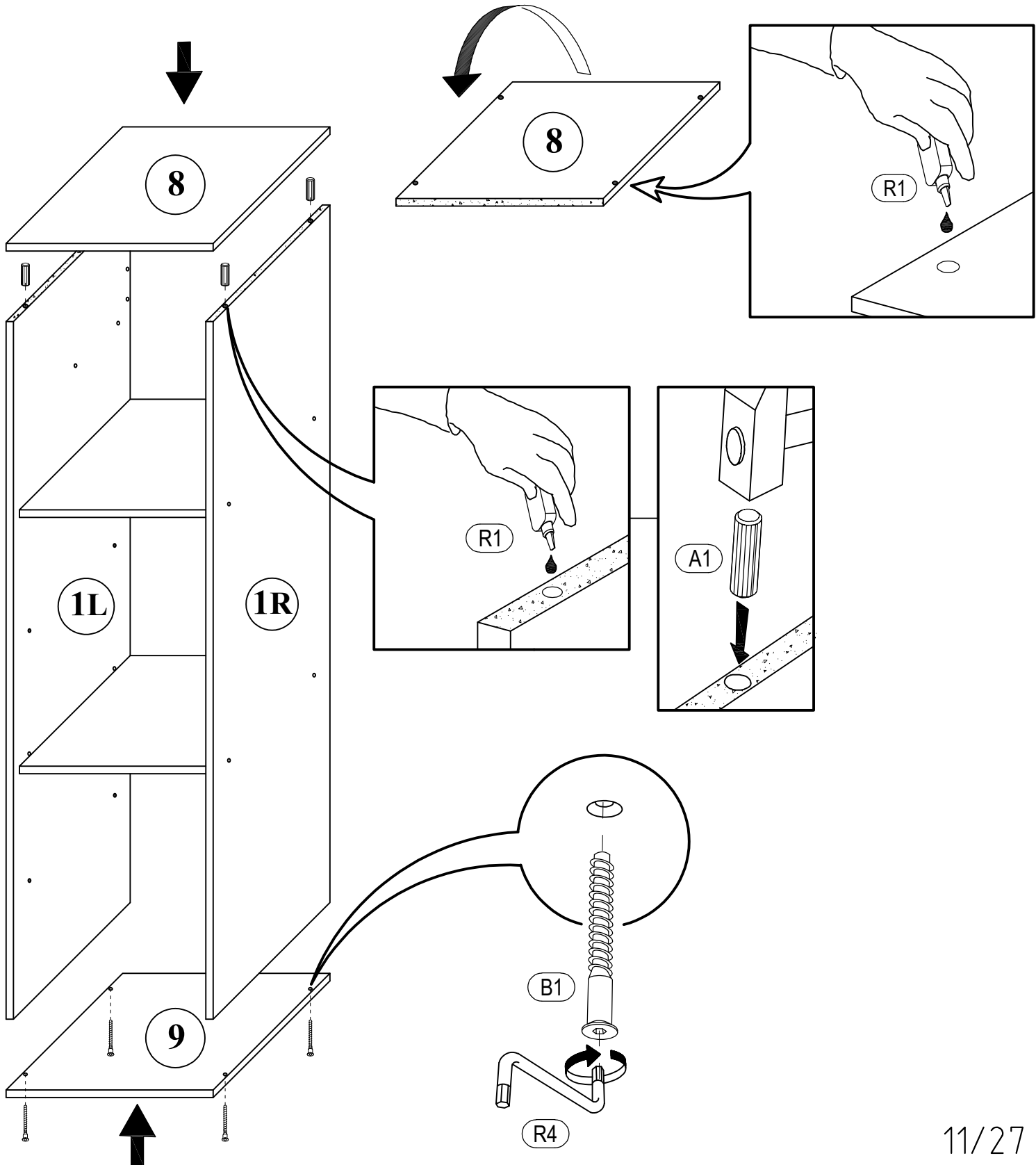
 B1 6,3*50mm x8	 R4 N°4
--	--

7

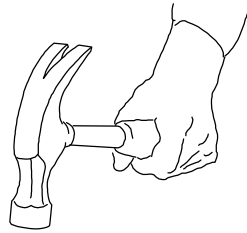
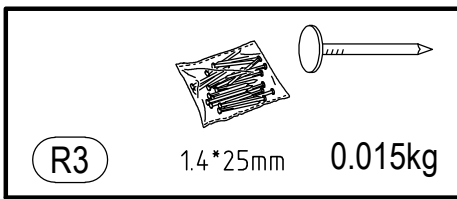
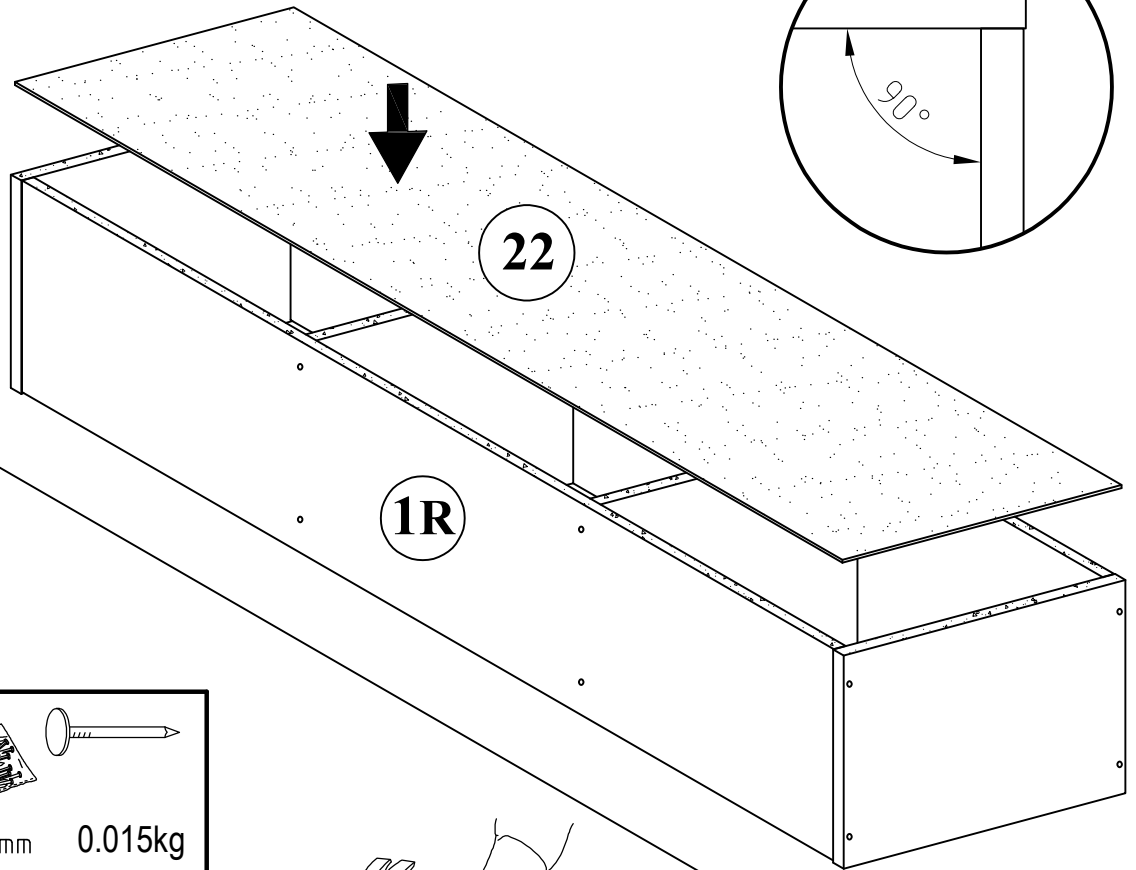


 <p>(A1) 8*30mm x4</p>	 <p>(B1) 6,3*50mm x4</p>	 <p>(R4) N°4</p>
 <p>(R1)</p>		

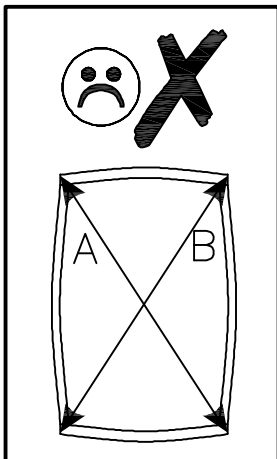
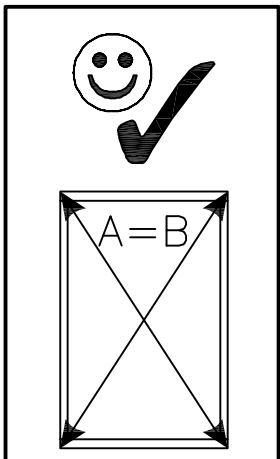
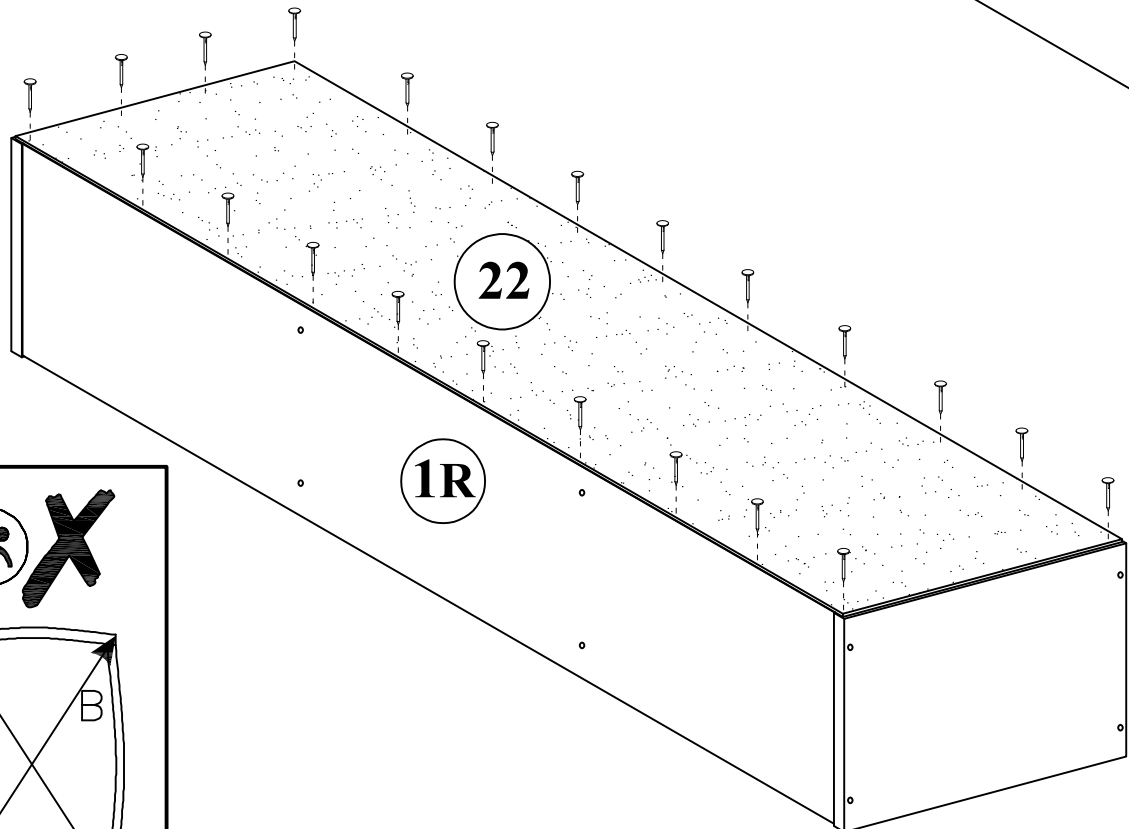
8

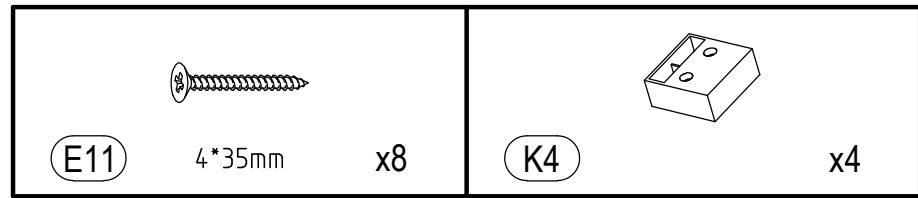


9

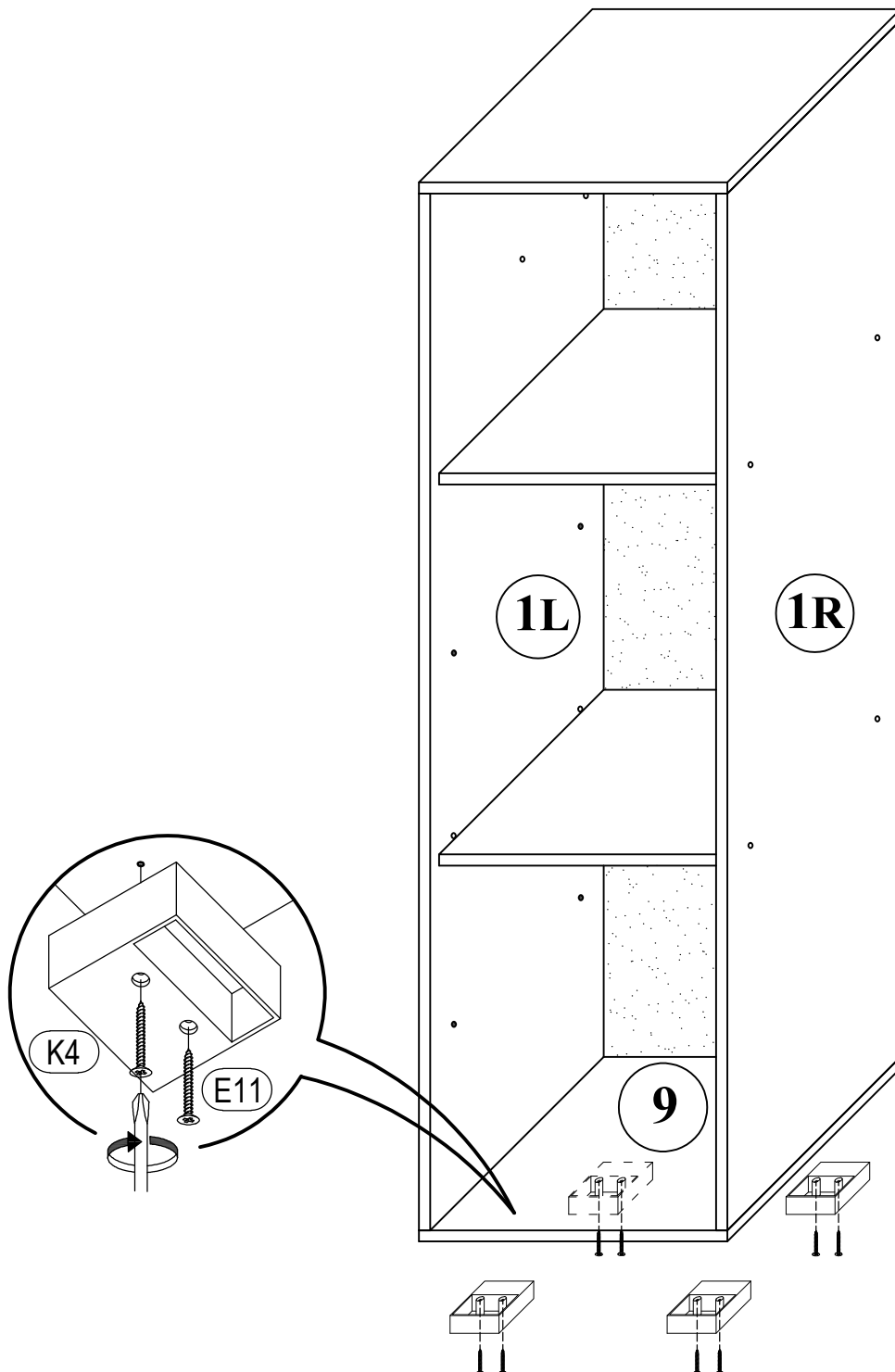


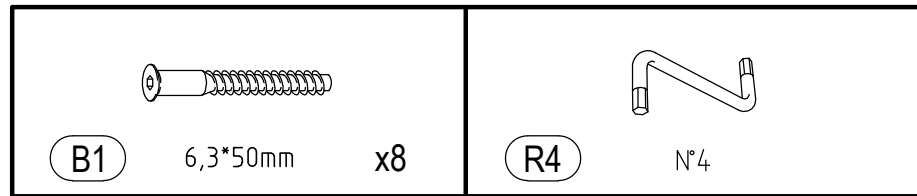
10



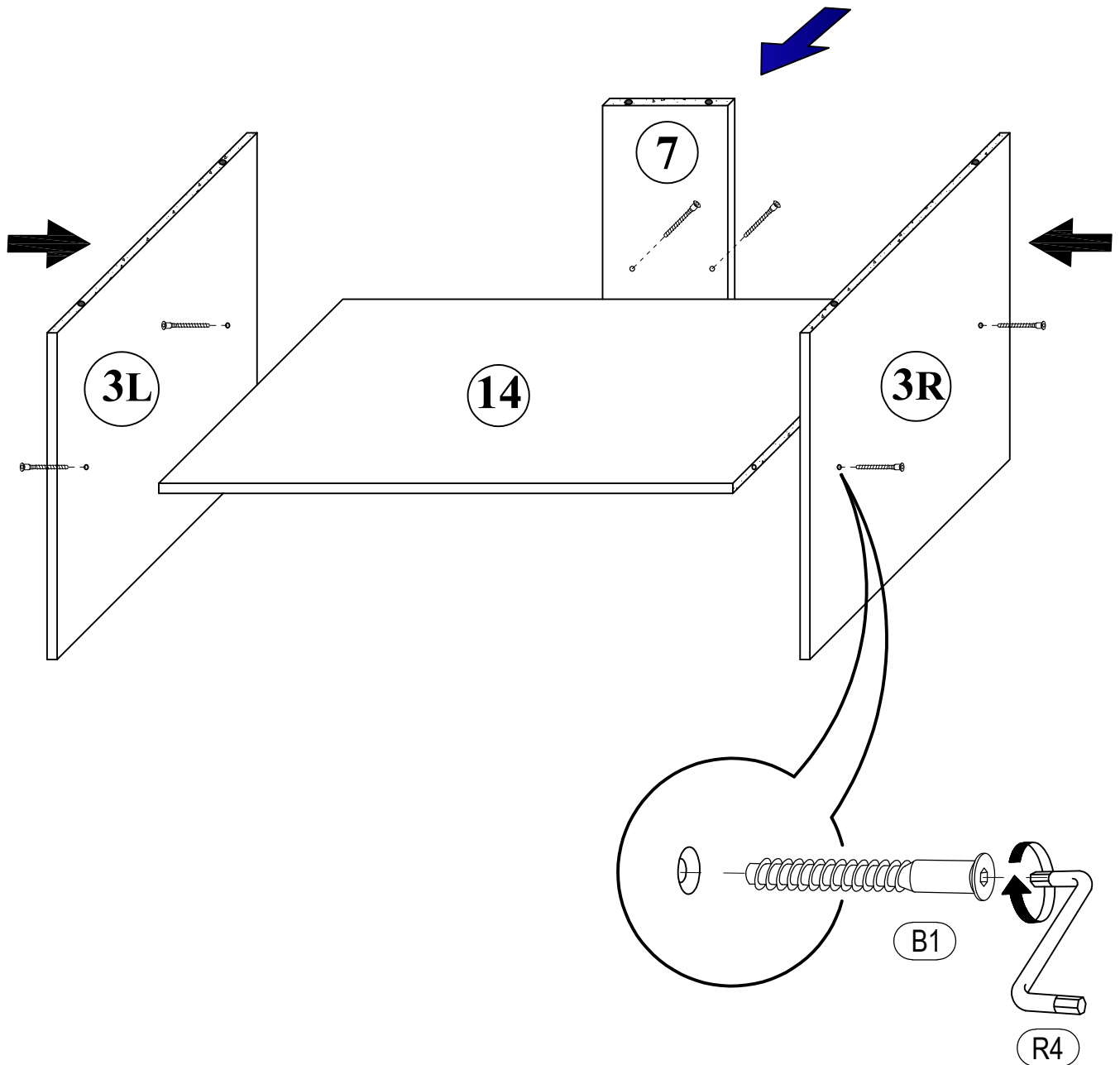




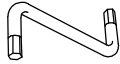
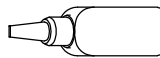
11



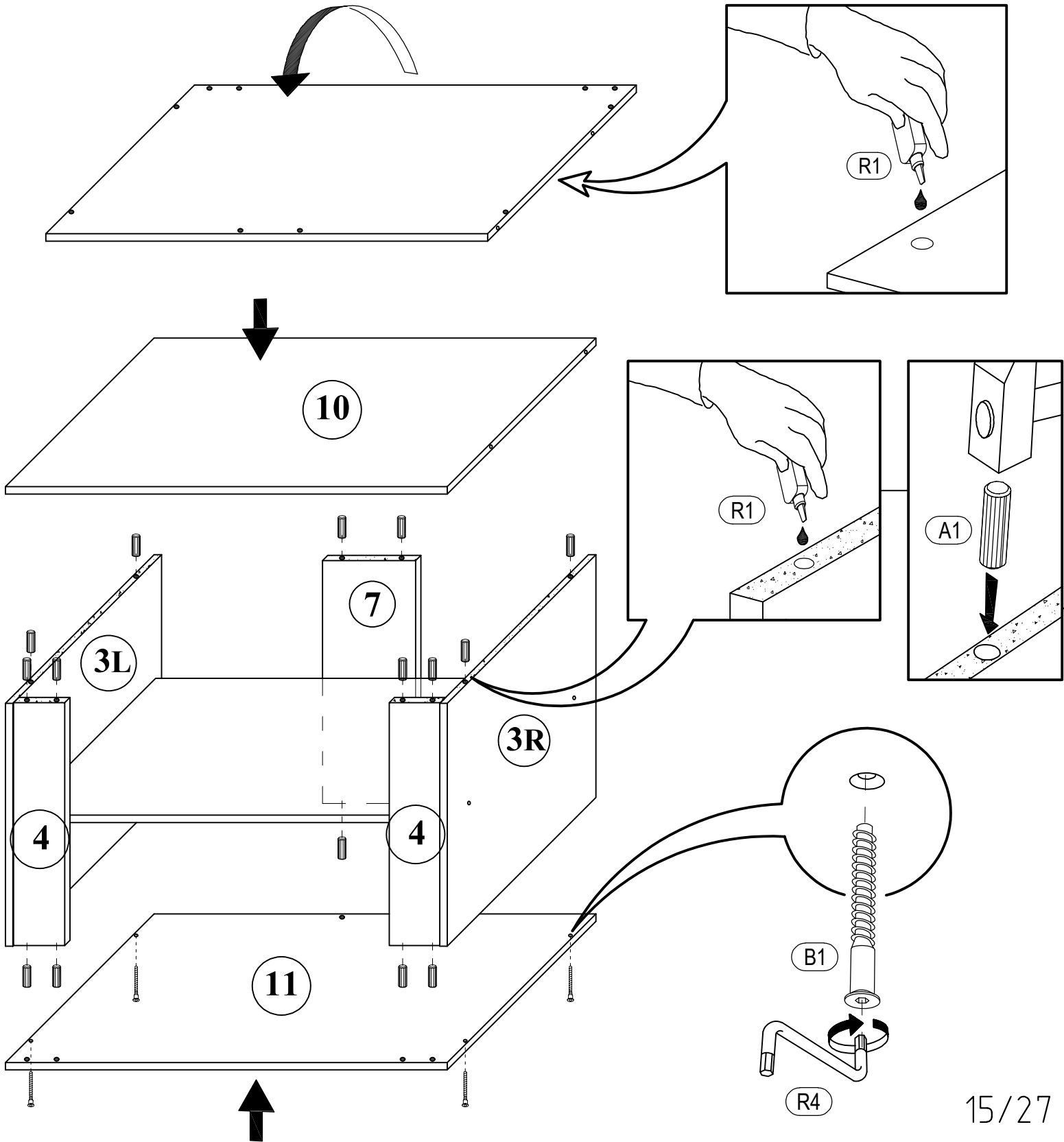


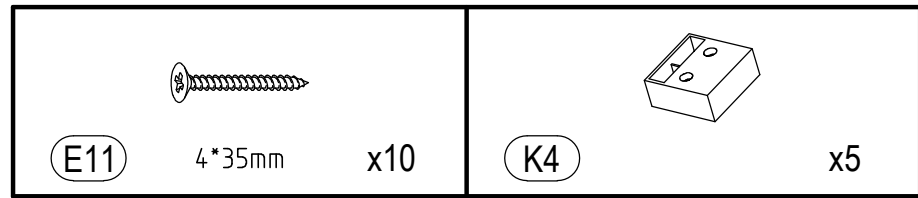
12



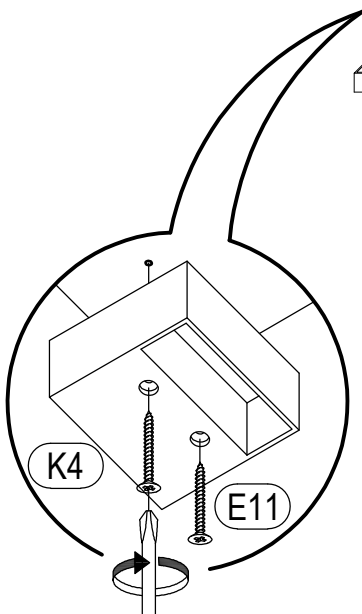
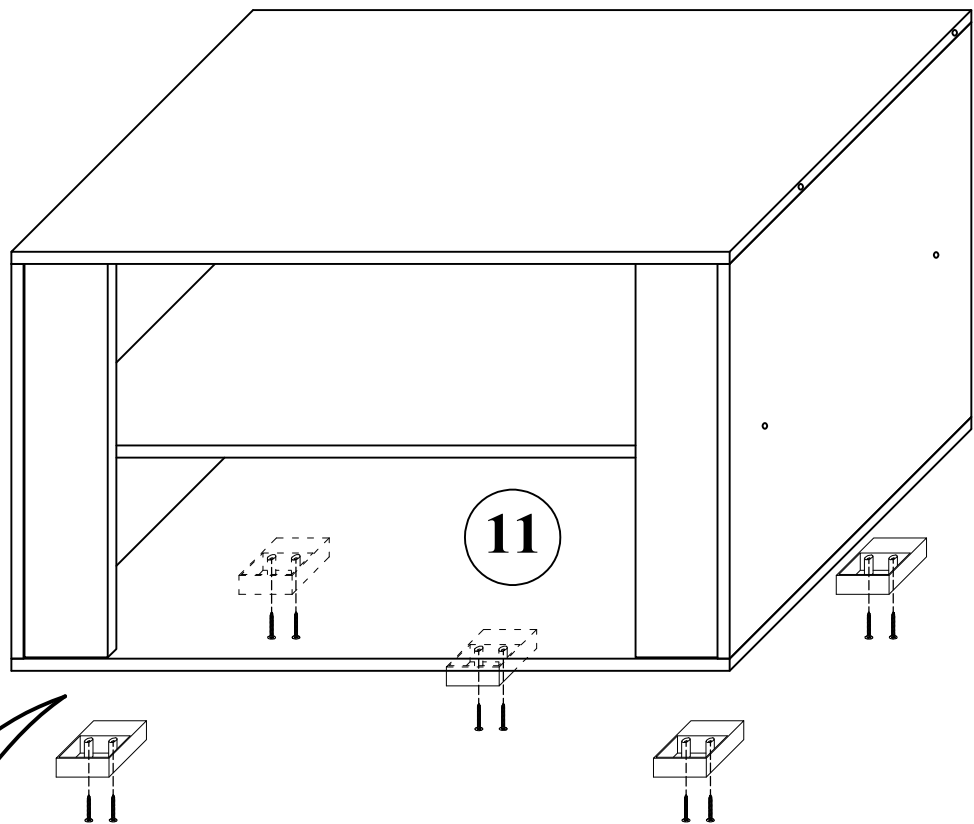
 A1 8*30mm x16	 B1 6,3*50mm x4	 R4 N°4
		 R1

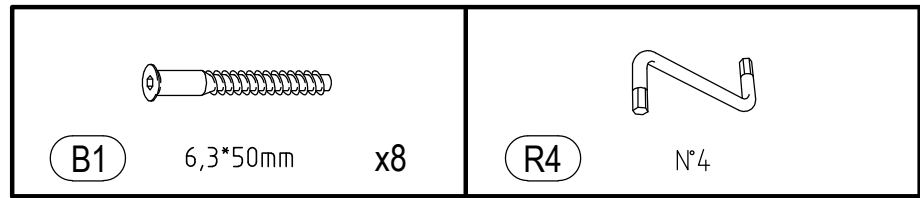
13



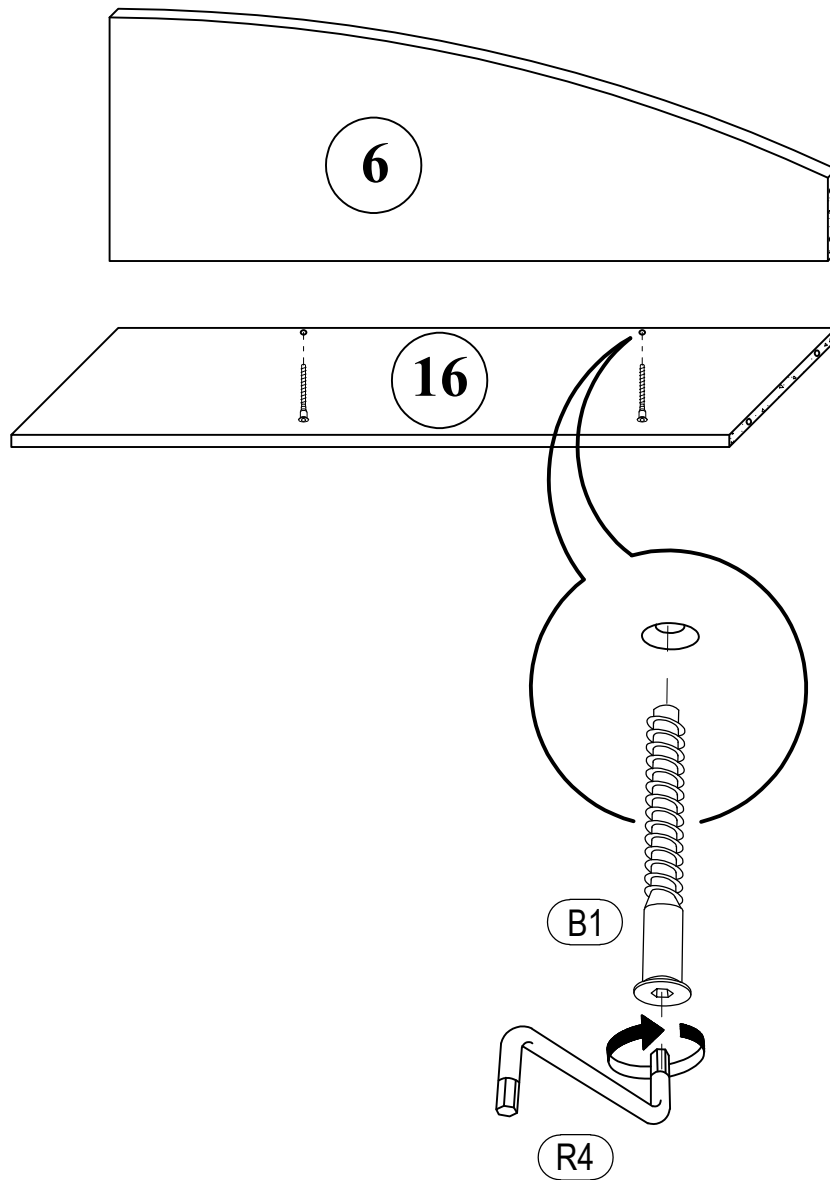


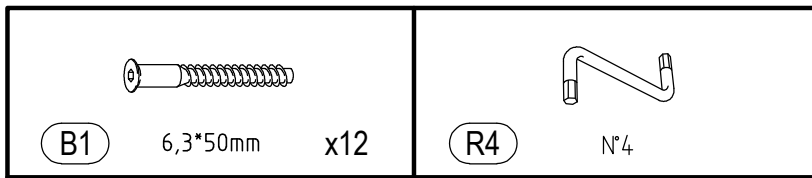
14



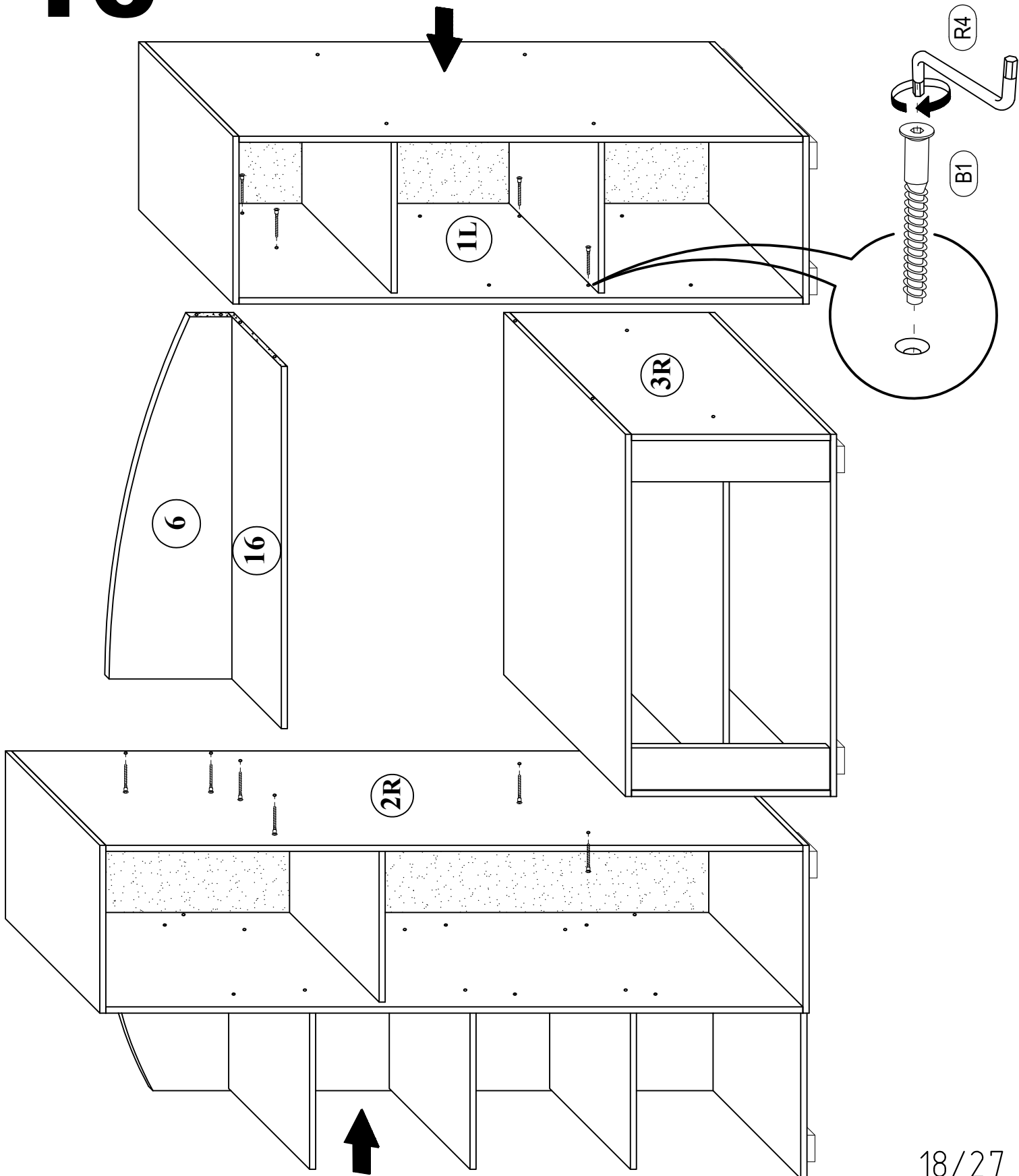



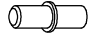
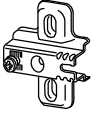
15



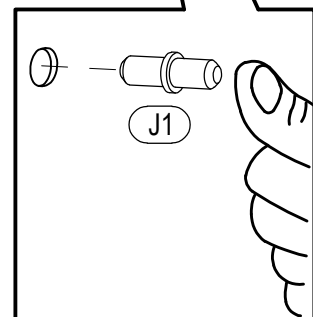
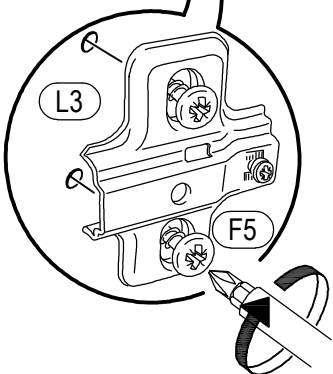
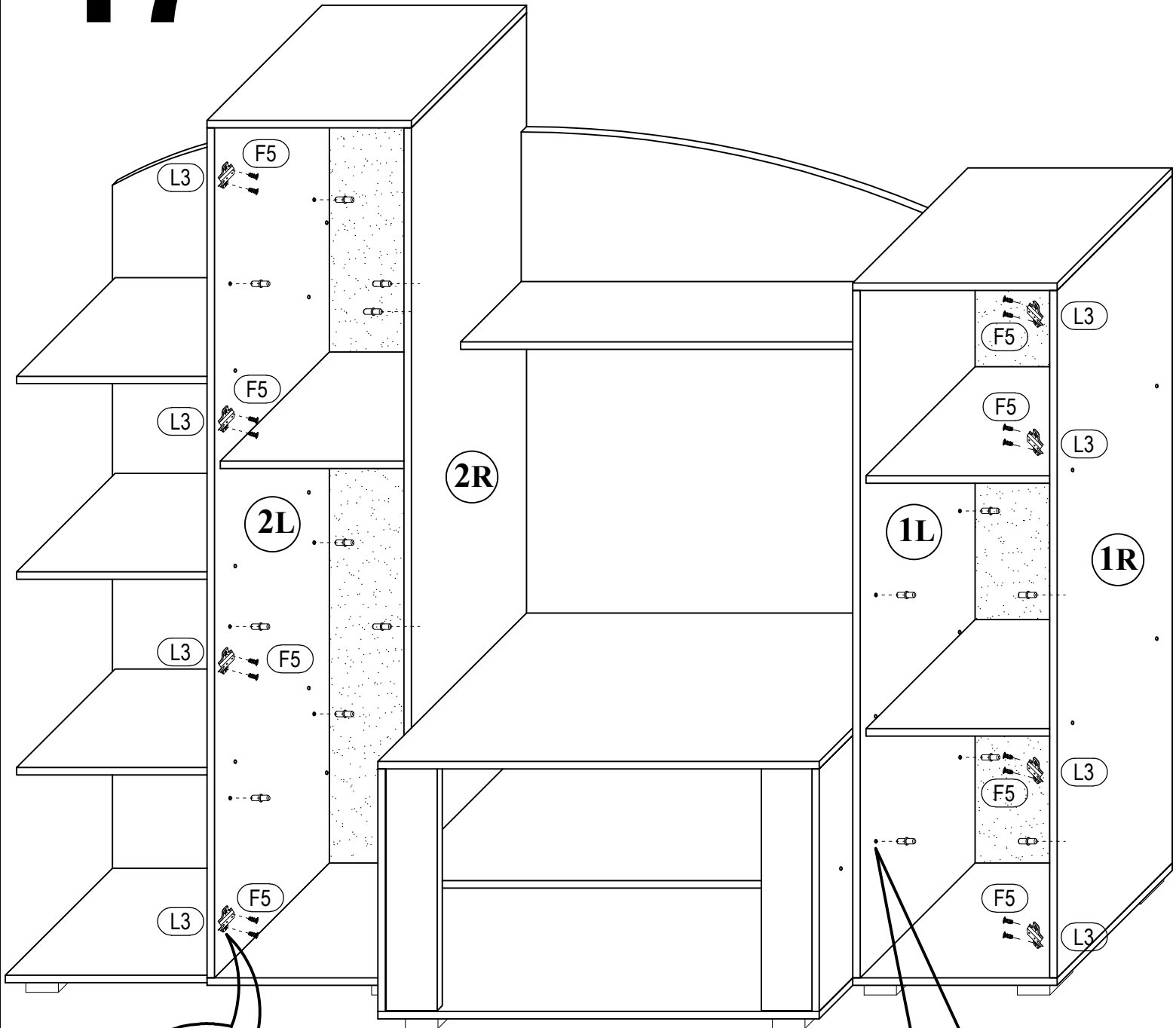


16

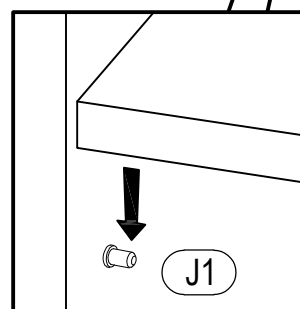
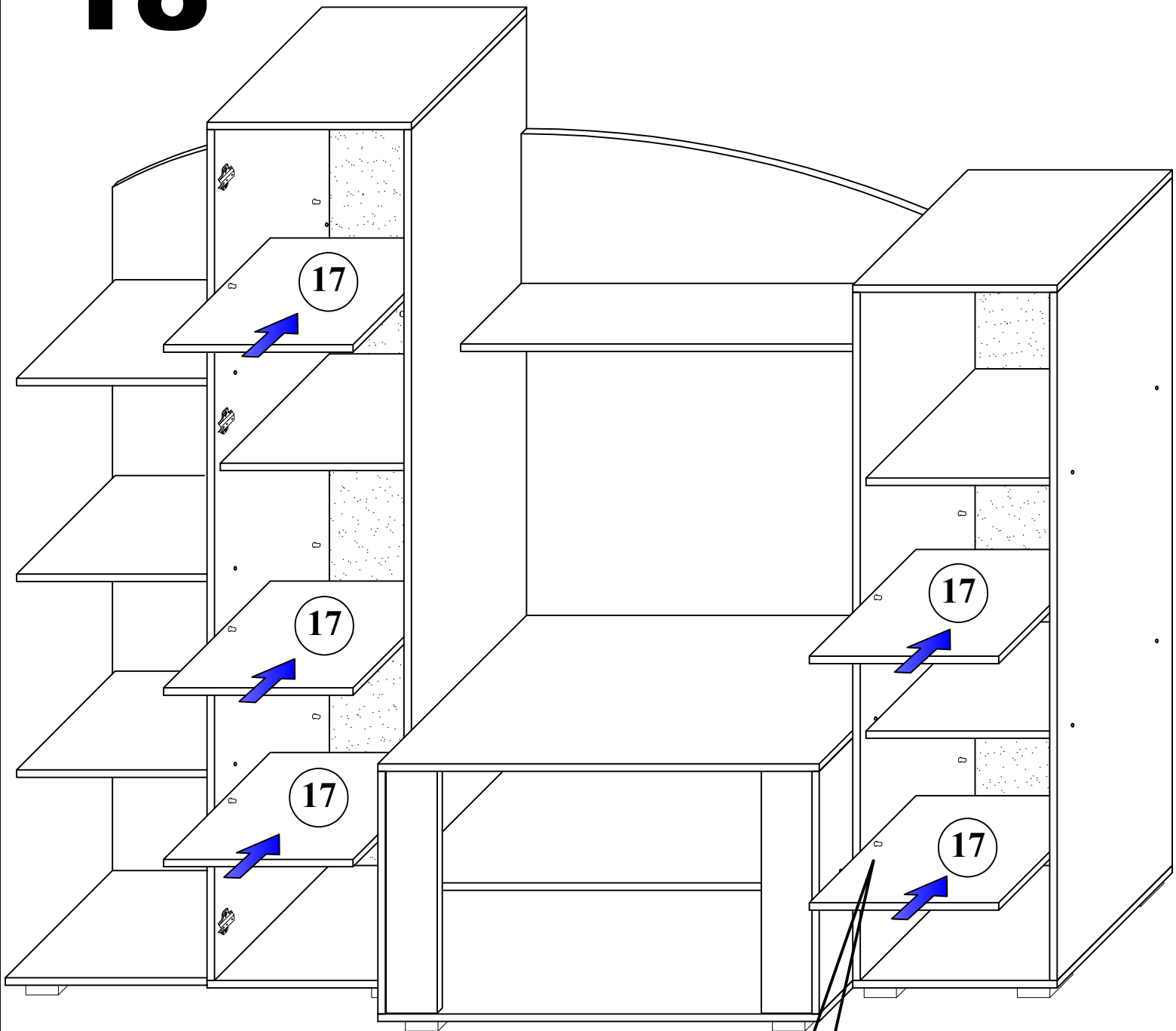



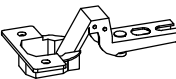
 F5 6,3*13mm x16	 J1 x21	 L3 x8
--	---	--

17

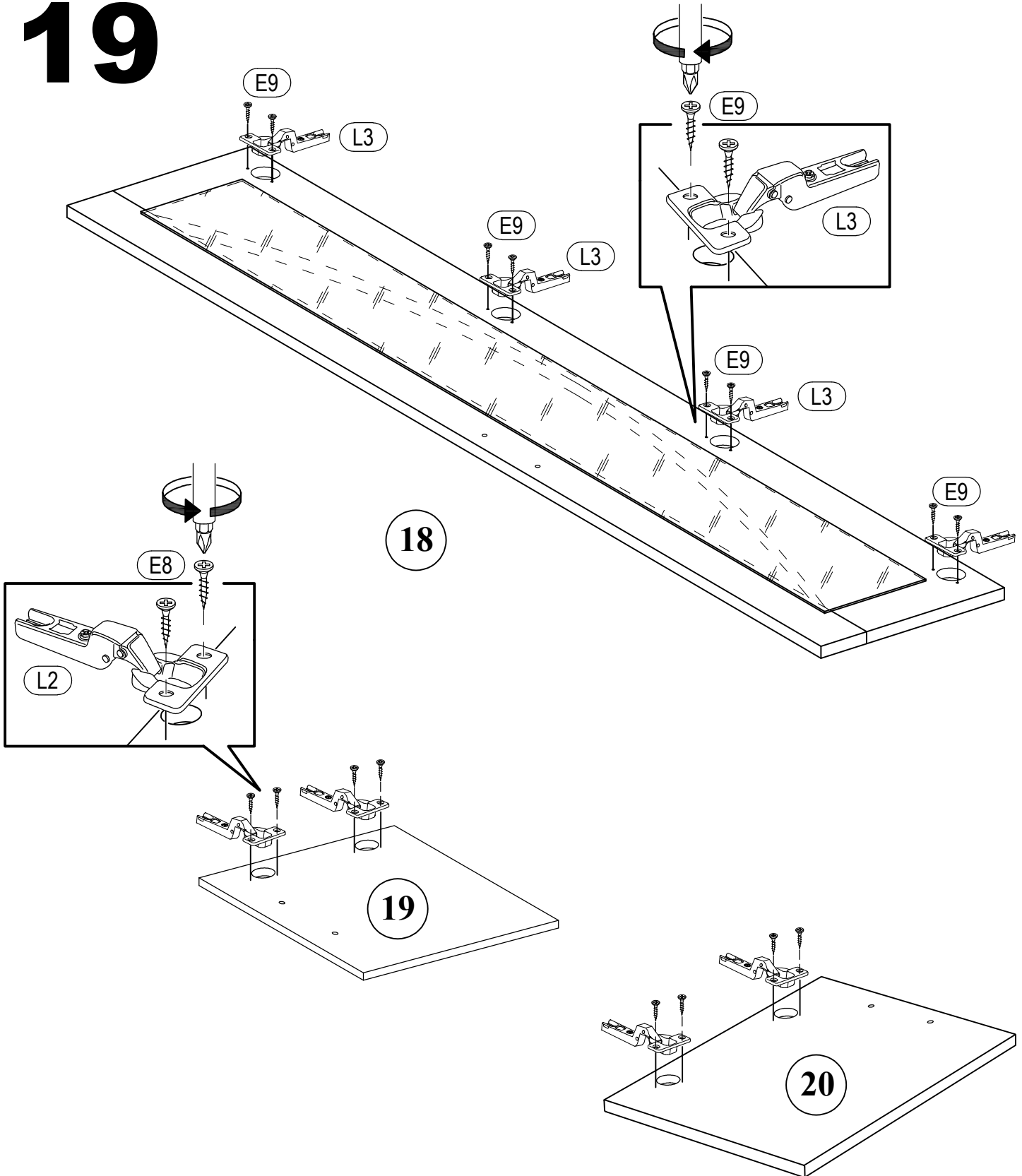


18

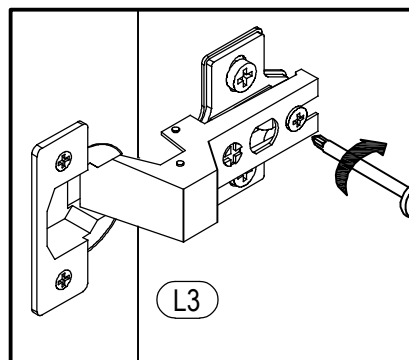
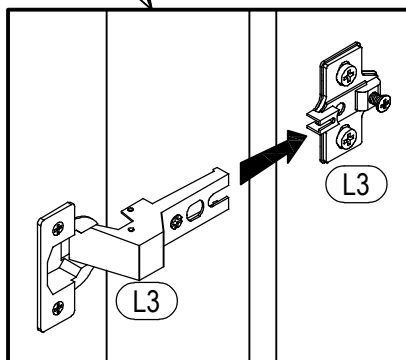
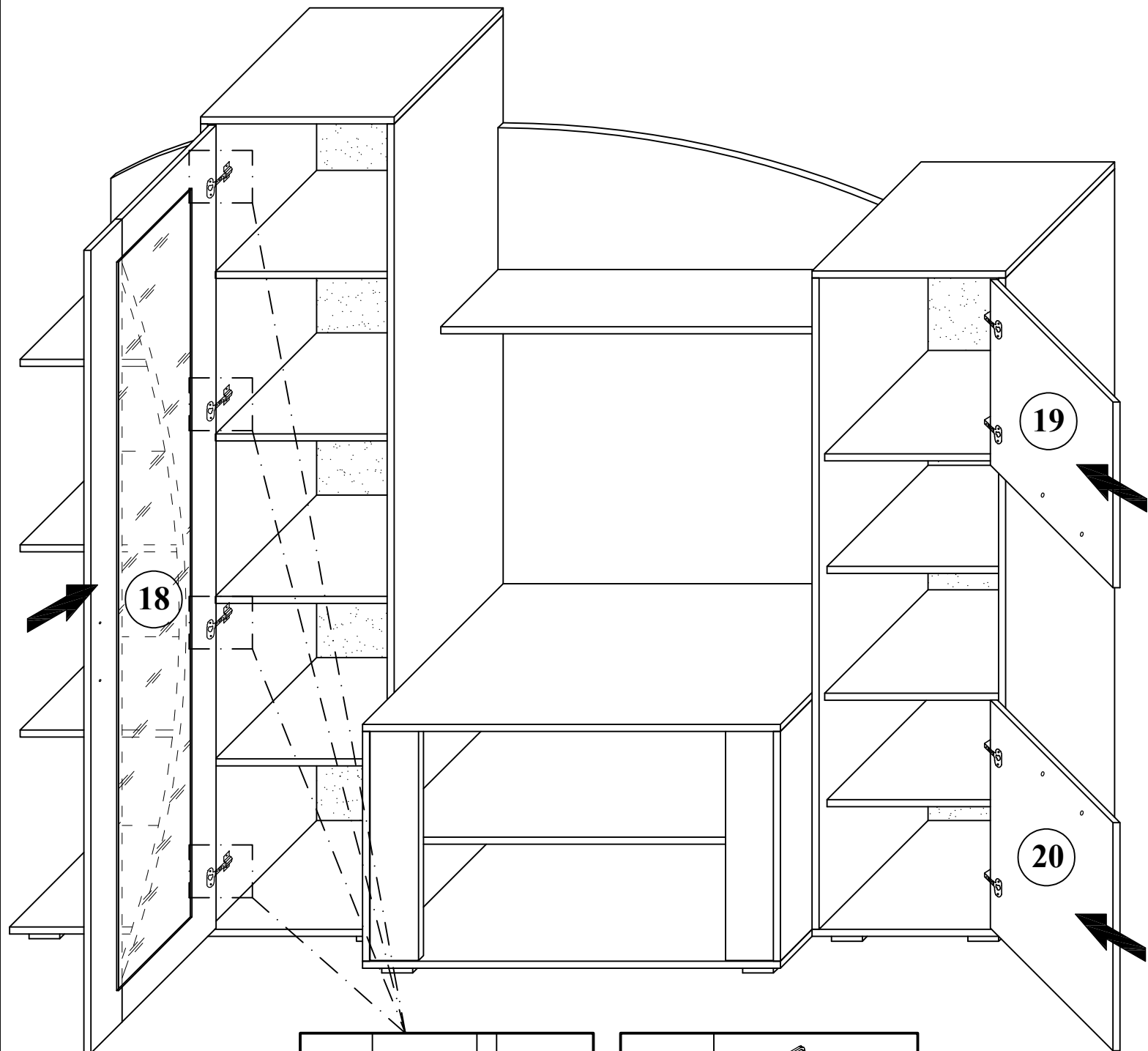


	
(E9) 4*16mm x16	(L3) x8

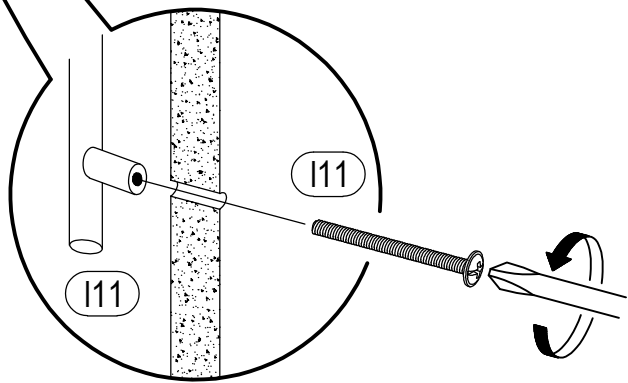
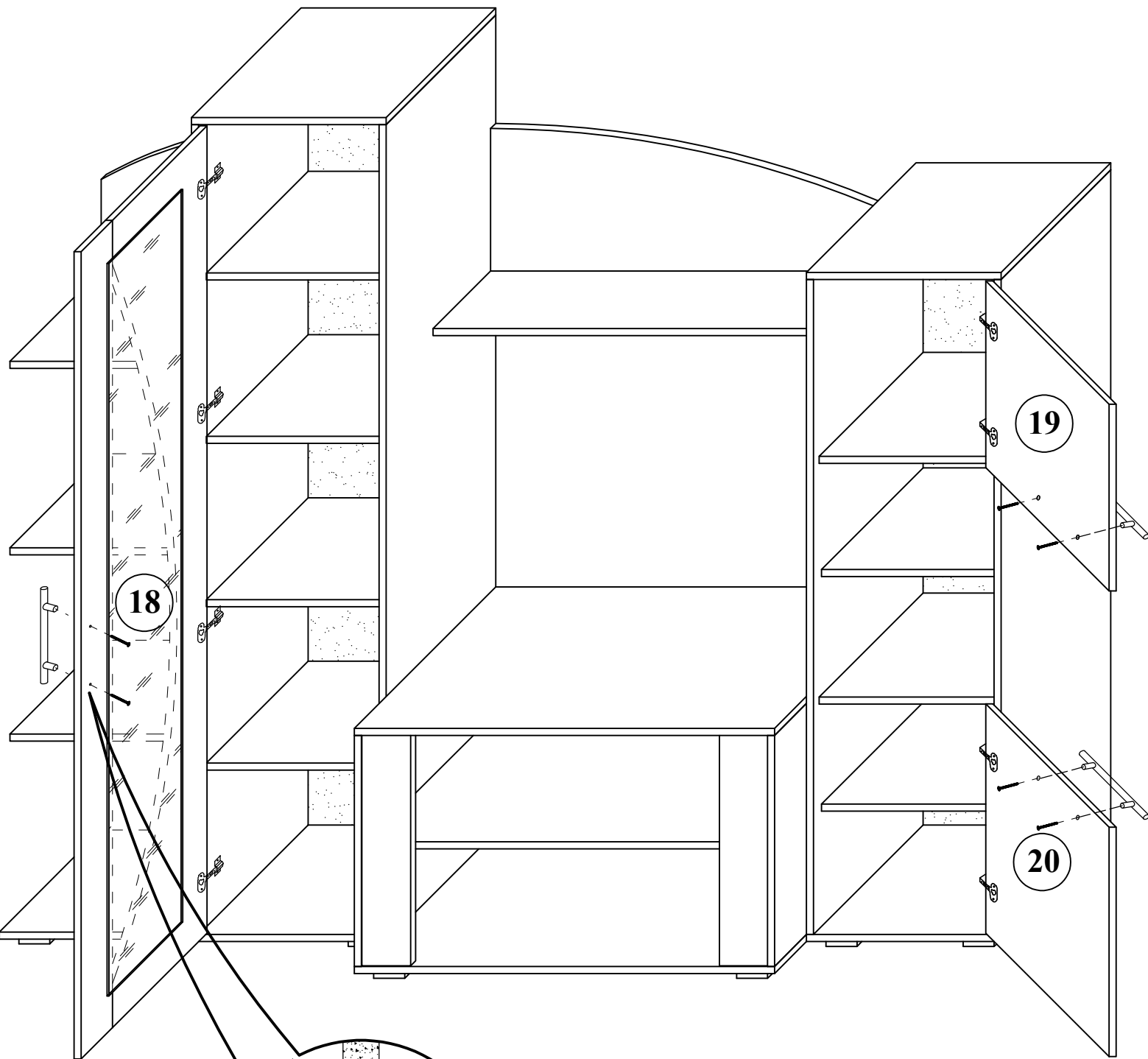
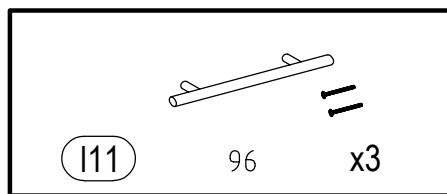
19



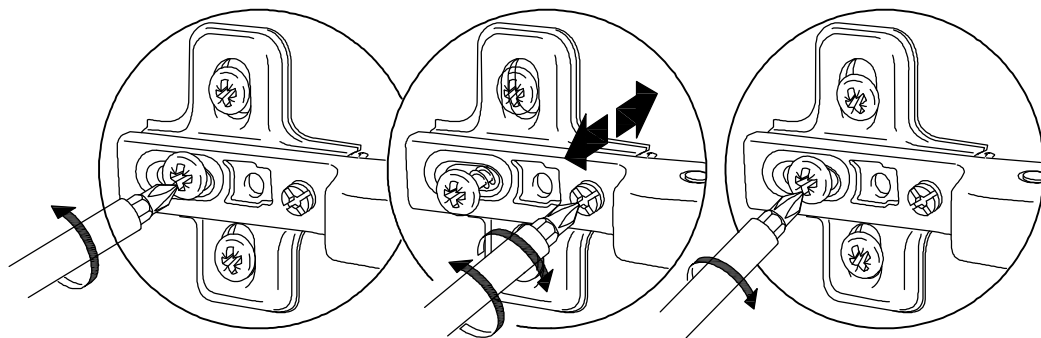
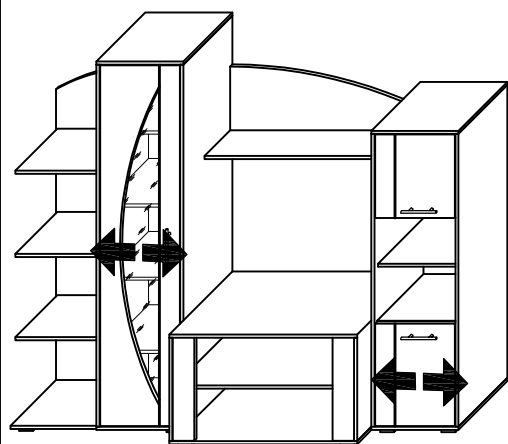
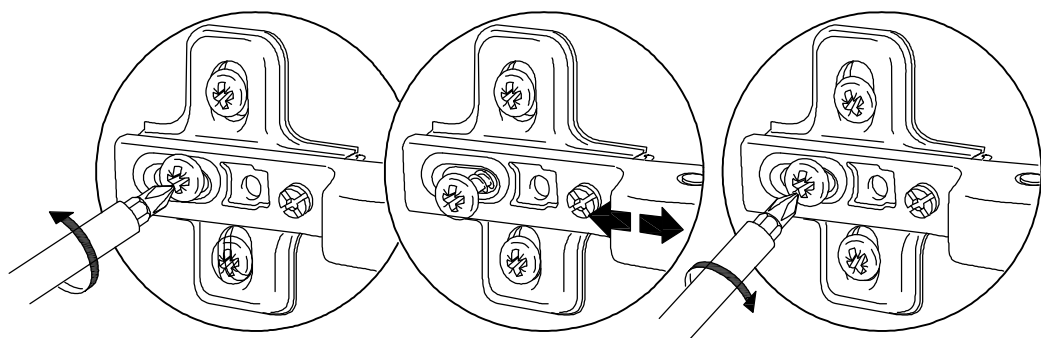
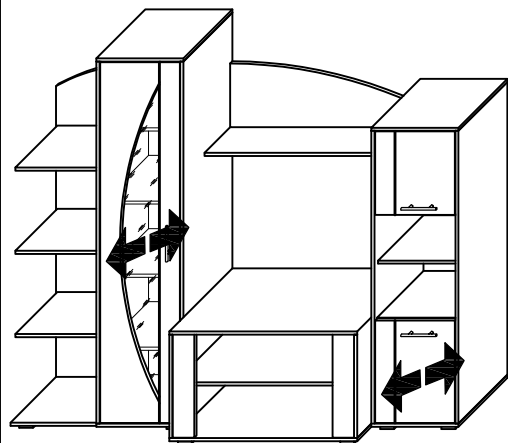
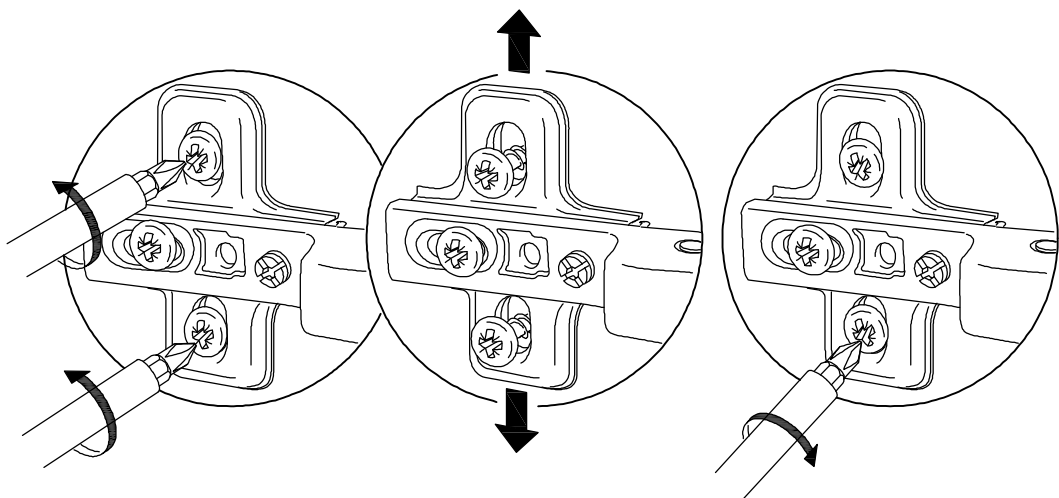
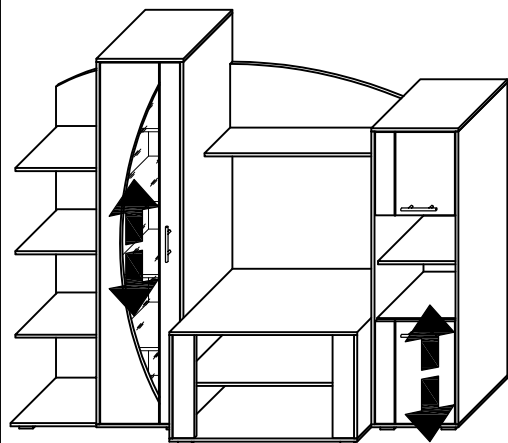
20



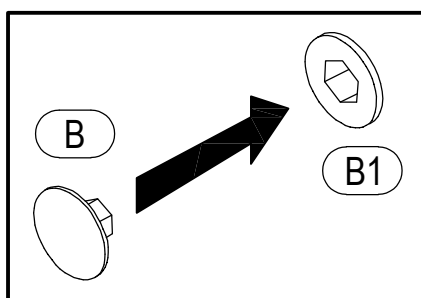
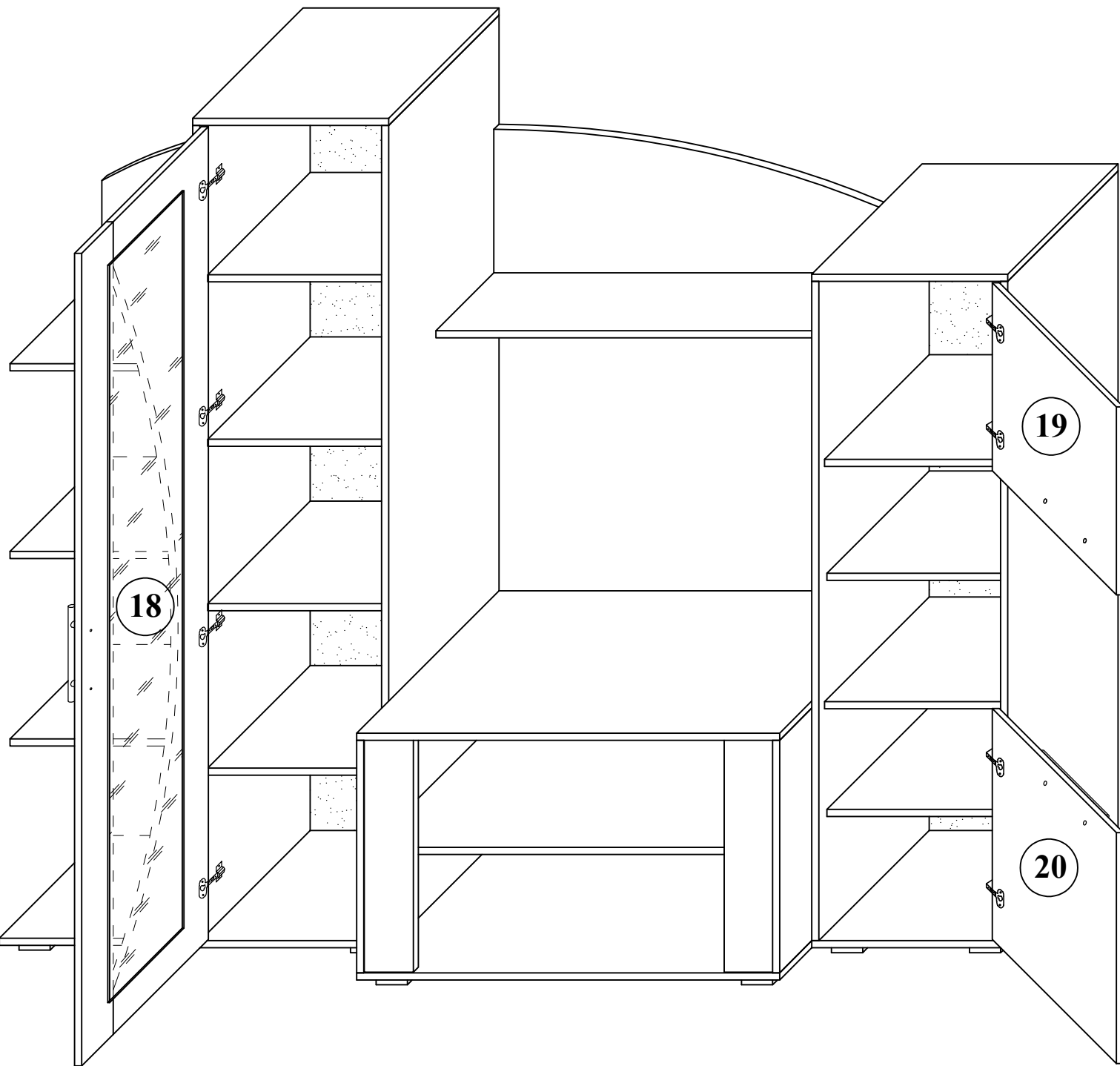
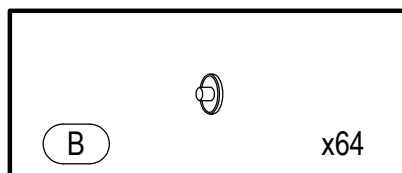
21



22



23



24

