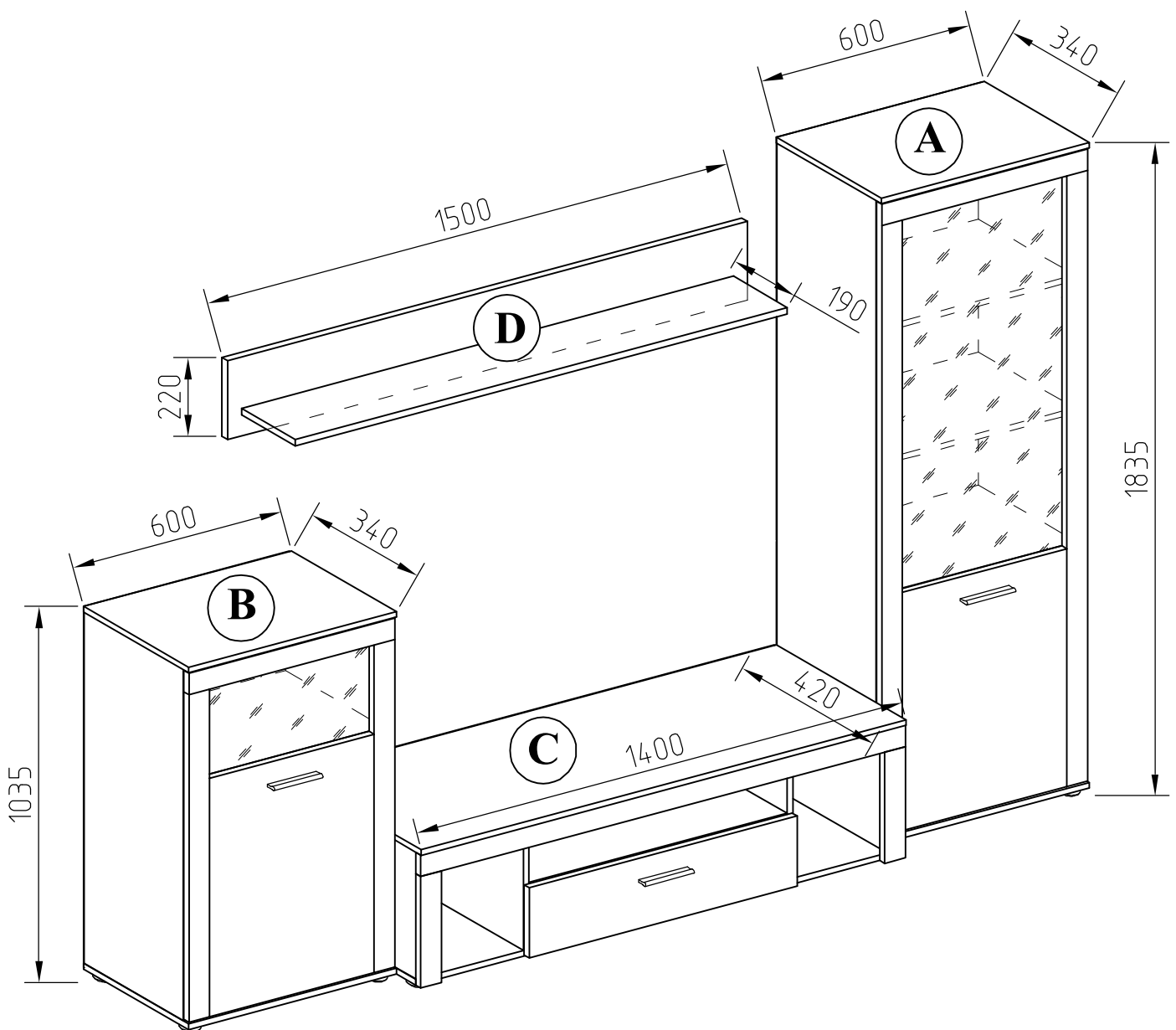
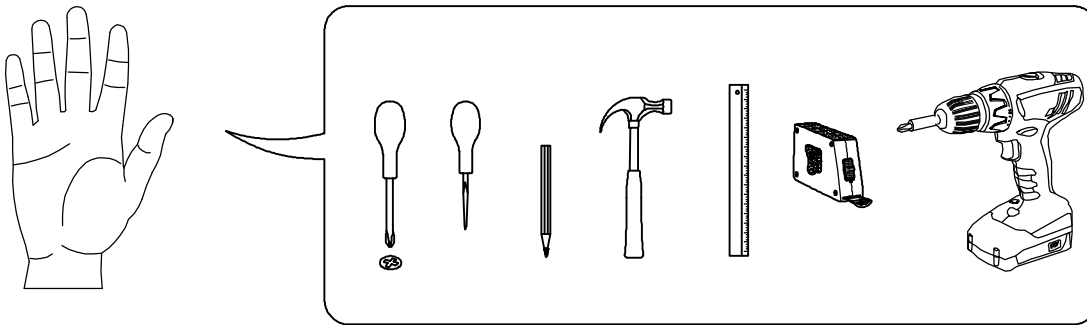
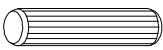
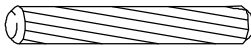

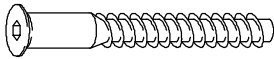
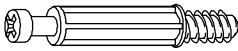

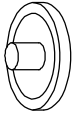
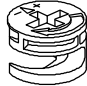

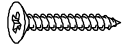


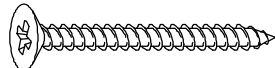




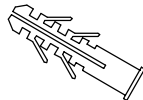
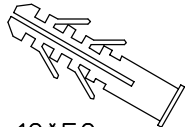

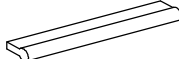

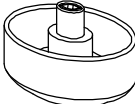
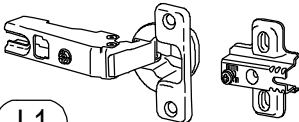
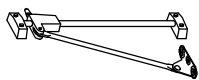
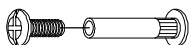



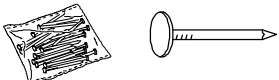
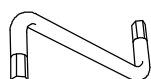
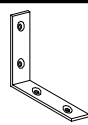



AUSTIN 1





 A1 8*30mm x47	 A2 8*50mm x6	 B x20
 B1 6,3*50mm x20	 C1 5*30mm x34	 C2 8*56mm x18
 D x70	 D1 16mm x70	 E2 3*15mm x18
 E3 3*20mm x8	 E4 3,5*16 x24	 E17 4*60mm x2
 E21 6*60mm x2	 Ea1 3,5*27mm x6	 F1 5,0*10,5mm x4
 F2 6,3*13mm x16	 H3 x18	 H5 8*50mm x2
 H6 10*50mm x2	 H14 x2	 I9 x3
 J1 5*16mm x16	 K16 x13	 L1 x8

 (N4) 1R+1L x2	 (Q10) M 4 x4	 (P10) L- 1101mm x1
 (P10) L- 976mm x1	 (P10) L- 647mm x1	 (R3) 1.4*25mm 0.05kg
 (R4) N°4 x1	 (S7) 60x60x15 x1	 (U3) x6

(A)

No	a*b	x	N°→...
1L	1768x320	x1	1/3
1R	1768x320	x1	1/3
2	600x338	x1	3/3
3	600x338	x1	3/3
4	566x316	x1	1/3
5	565x310	x1	3/3
5	565x310	x2	2/3
6.1	474x664	x1	2/3
6.2	1702x60	x1	1/3
6.3	1702x60	x1	1/3
6.4	594x60	x1	2/3
6.5	504x1090	x1	
7	670x296	x2	2/3
8	1124x296	x2	2/3

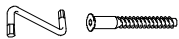
(D)

No	a*b	x	N°→...
1	1500x220	x1	1/3
2	1420x174	x1	1/3

B

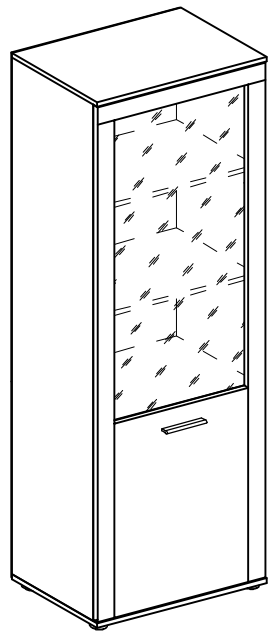
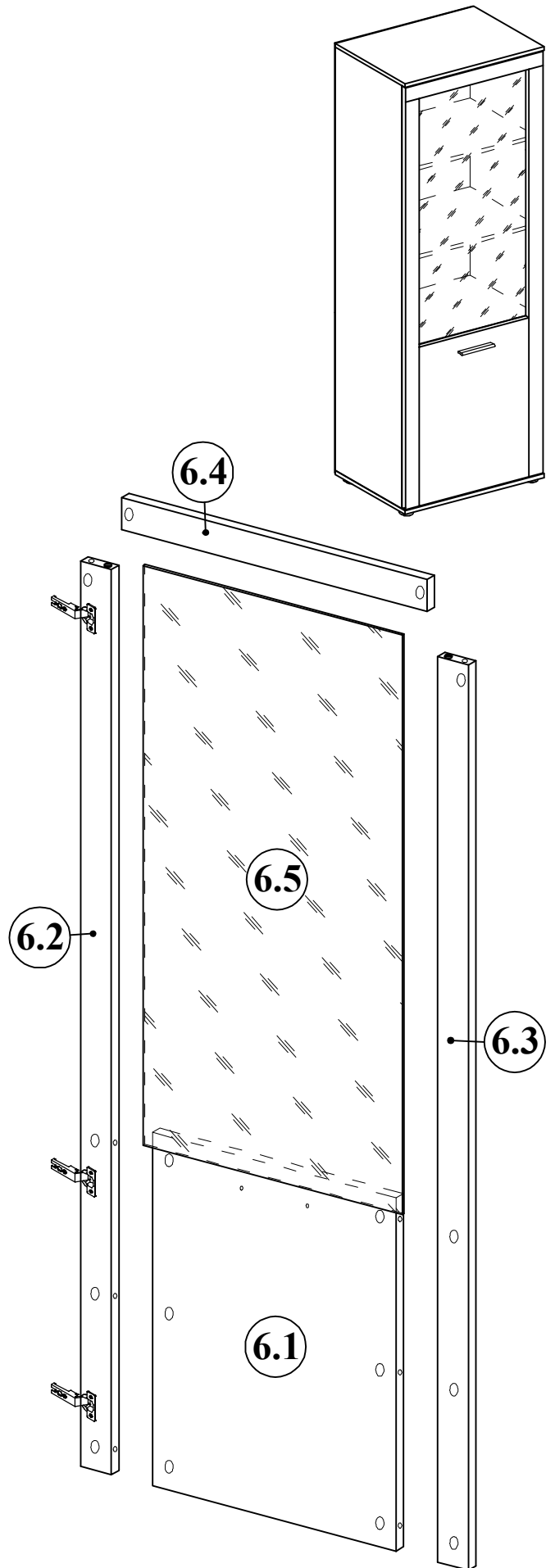
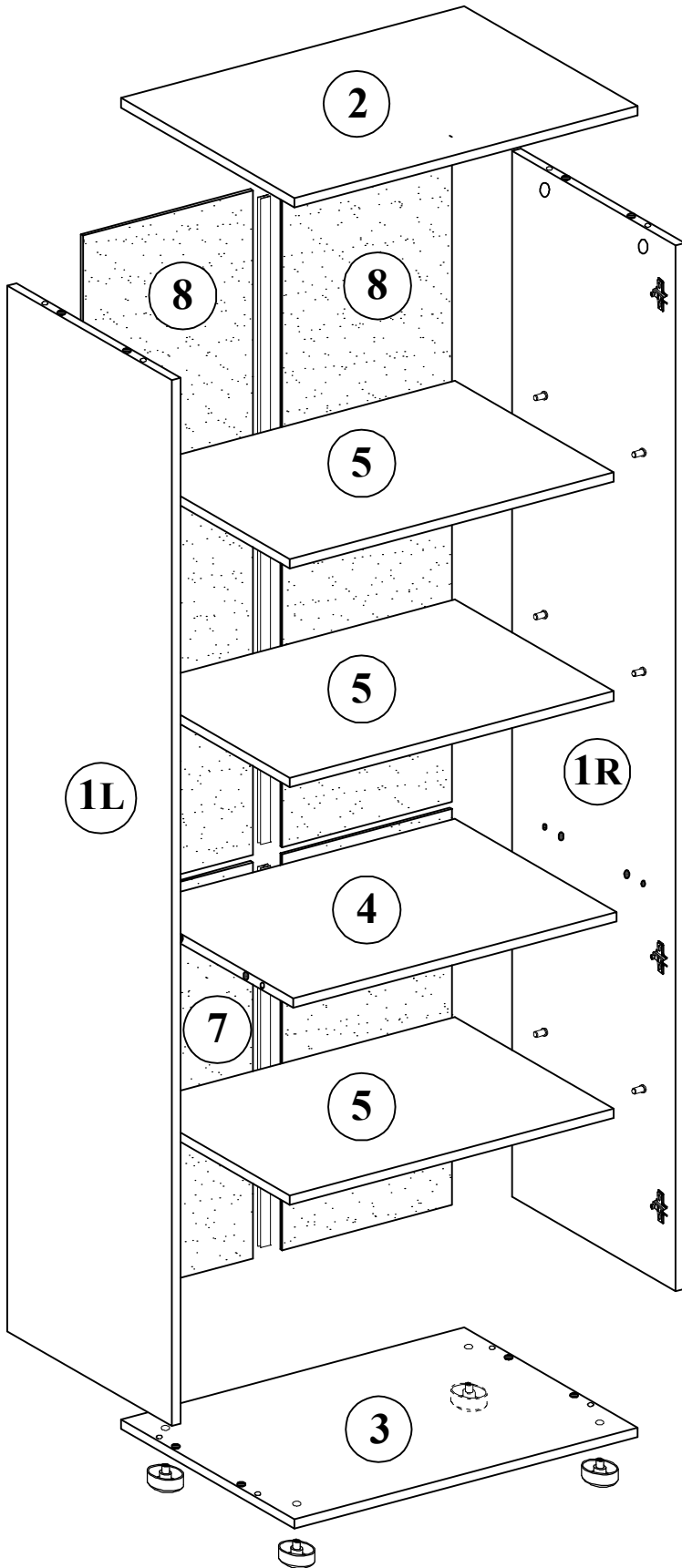
No	a*b	x	N°→...
1L	978x320	x1	2/3
1R	978x320	x1	2/3
2	600x338	x1	3/3
3	600x338	x1	2/3
4	566x316	x1	1/3
5	565x310	x1	1/3
6.1	474x664	x1	2/3
6.2	912x60	x1	2/3
6.3	912x60	x1	2/3
6.4	594x60	x1	2/3
6.5	504x300	x1	
7	1006x296	x2	2/3

C

No	a*b	x	N°→...
1L	354x400	x1	3/3
1R	354x400	x1	3/3
2L	354x400	x1	3/3
2R	354x400	x1	3/3
3	1400x418	x1	3/3
4	1400x400	x1	3/3
5	746x400	x1	2/3
6	1400x60	x1	1/3
7L	310x60	x1	1/3
7R	310x60	x1	1/3
8	774x194	x1	2/3
9	1395x382	x1	3/3
		x1	2/3


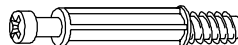

A

AUSTIN 1

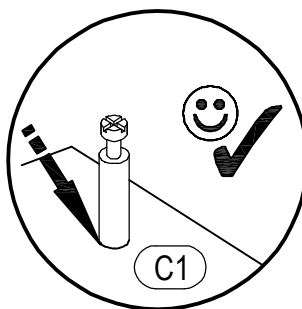
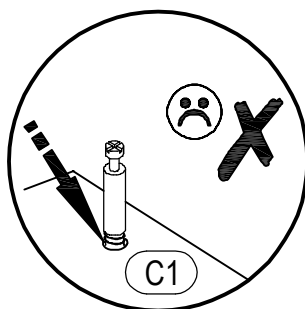
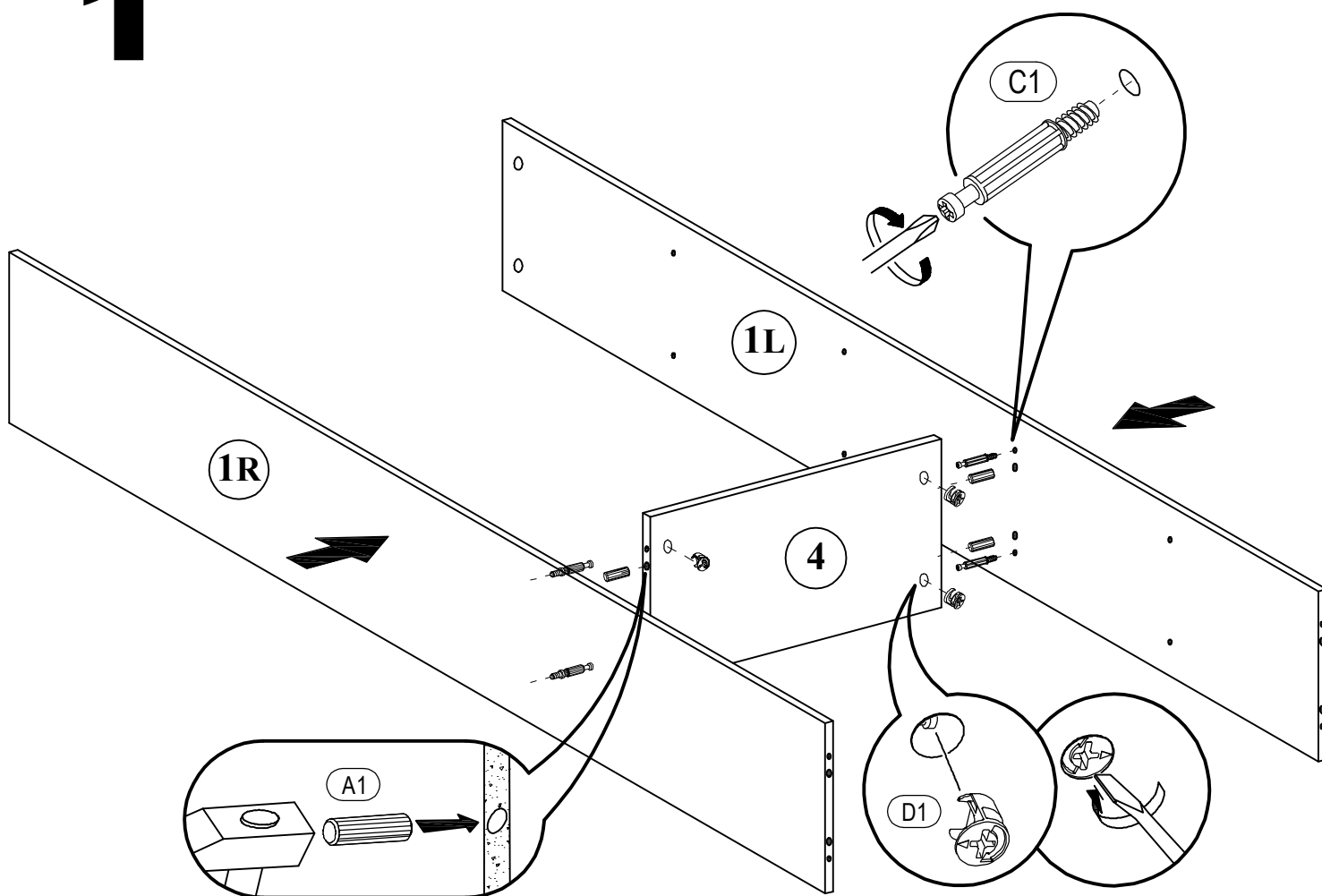





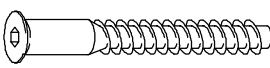
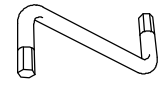
A

AUSTIN 1

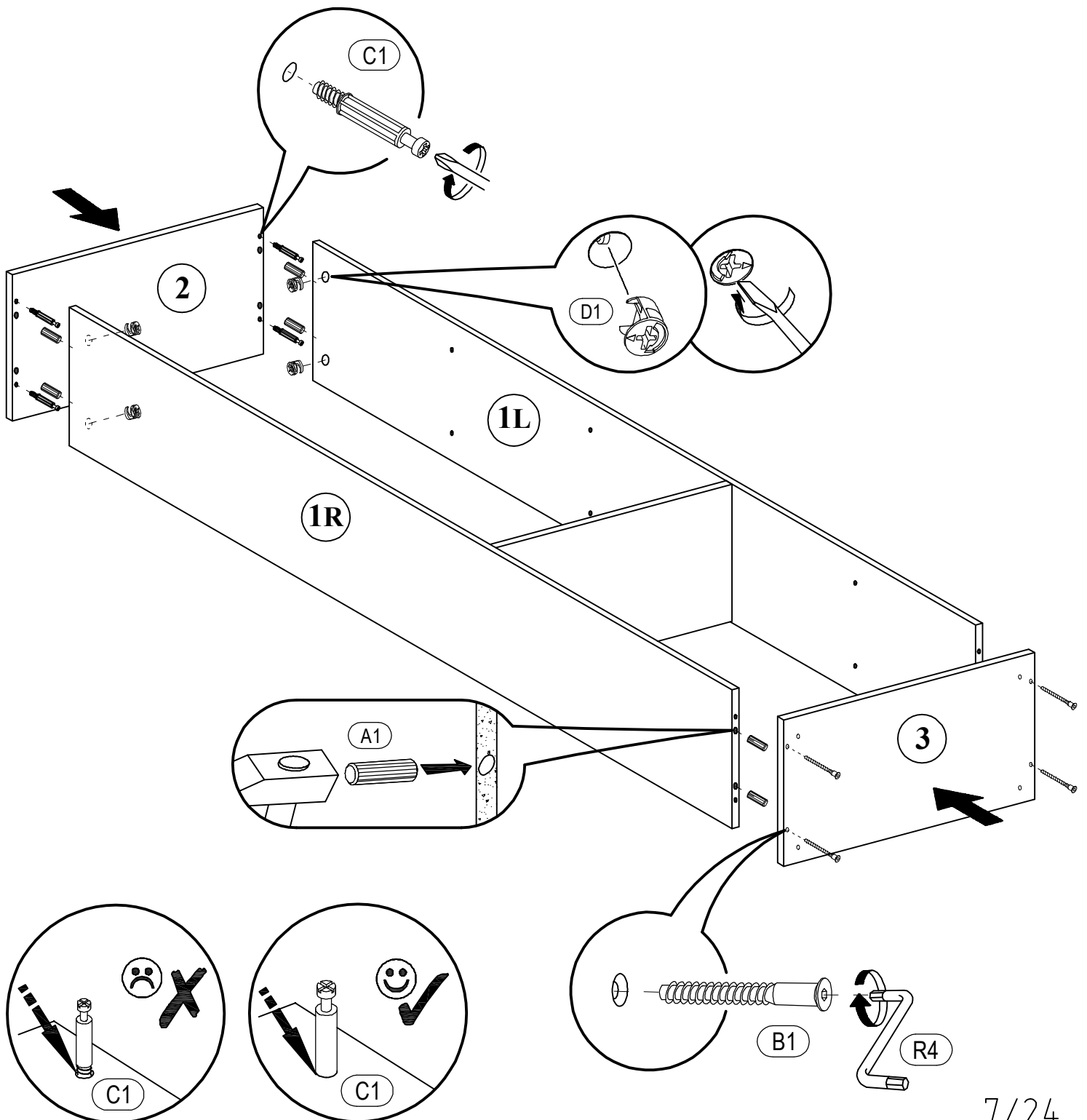
 <p>A1 8*30mm x4</p>	 <p>C1 5*30mm x4</p>	 <p>D1 16mm x4</p>
---	---	---

1



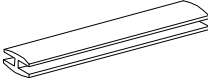
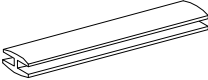
 A1 8*30mm x8	 C1 5*30mm x4	 D1 16mm x4
	 B1 6,3*50mm x4	 R4 N°4 x1

2

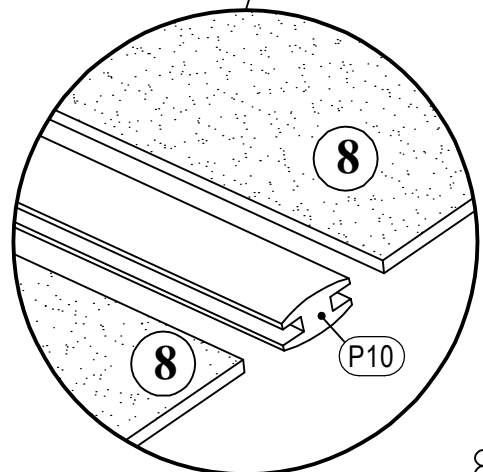
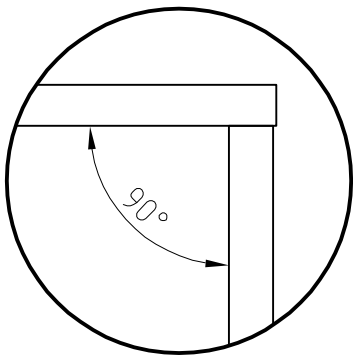
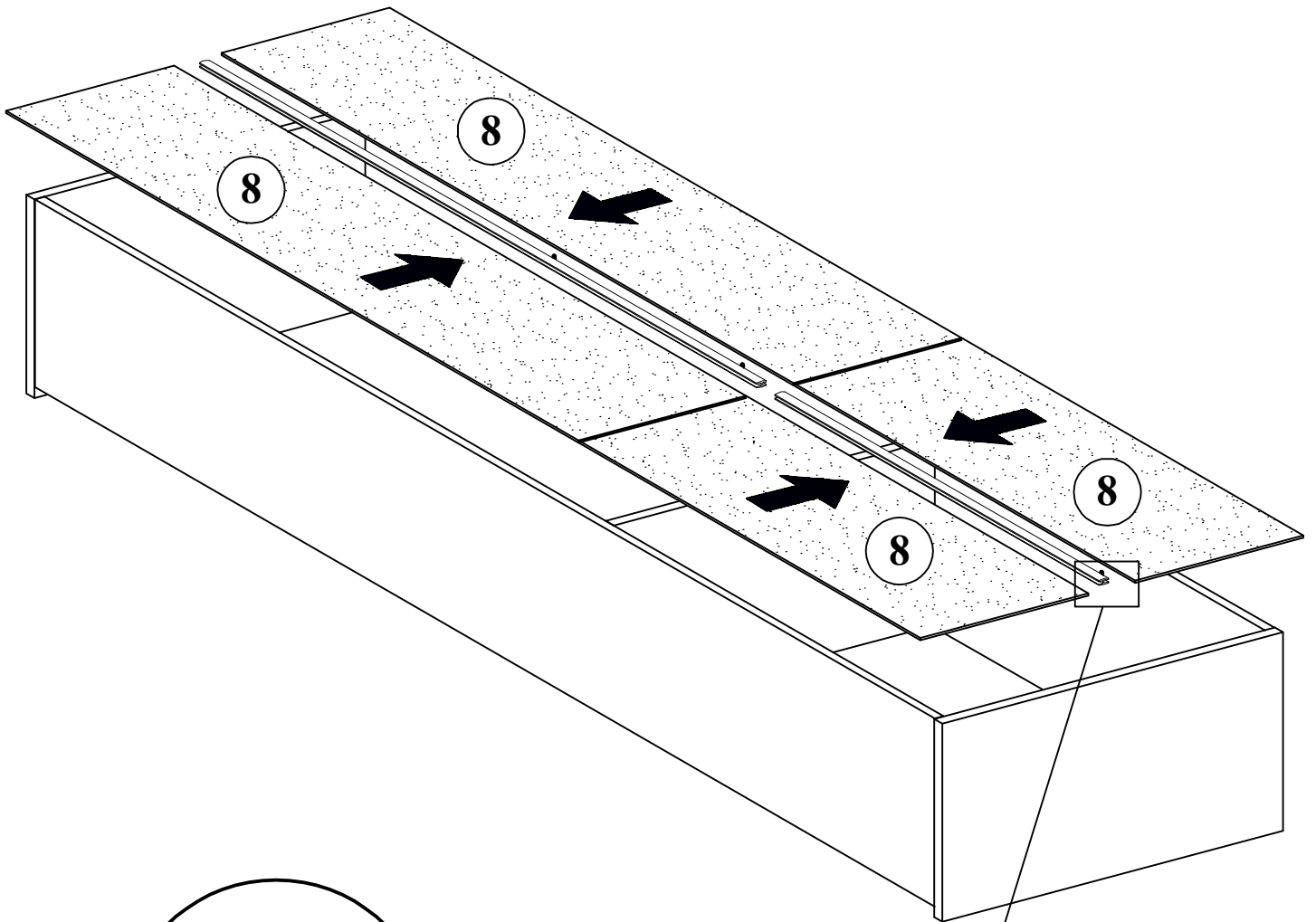


A

AUSTIN 1

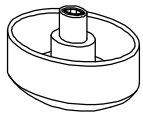
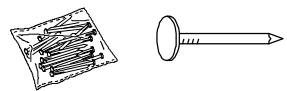
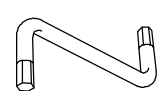
 P10 L- 1101mm x1	 P10 L- 647mm x1
---	--

3

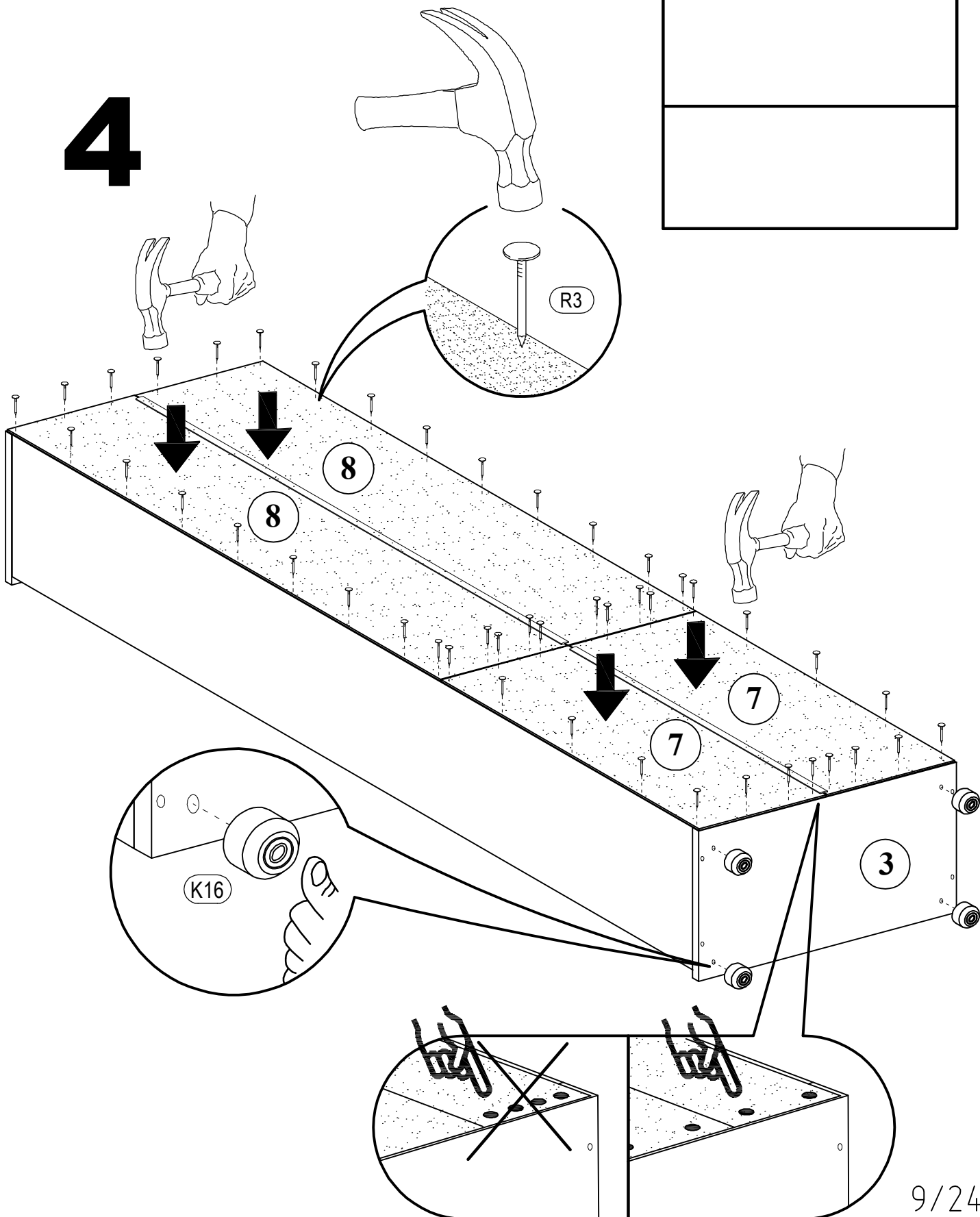


A

AUSTIN 1

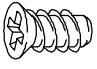

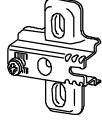
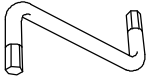
 <p>K16 x4</p>	 <p>R3 1.4*25mm 0.02kg</p>	 <p>R4 N°4 x1</p>
---	--	--

4

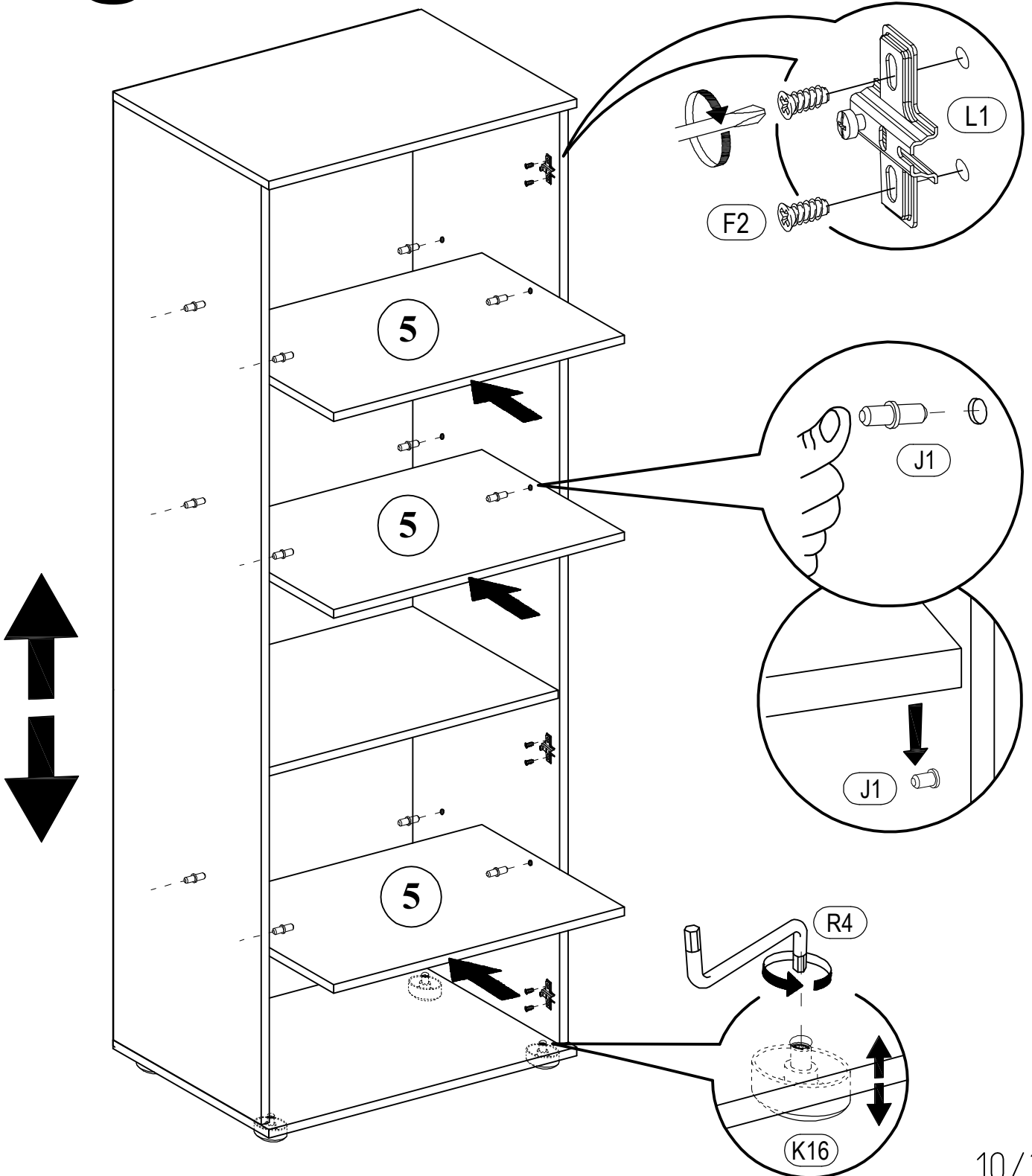





A

AUSTIN 1

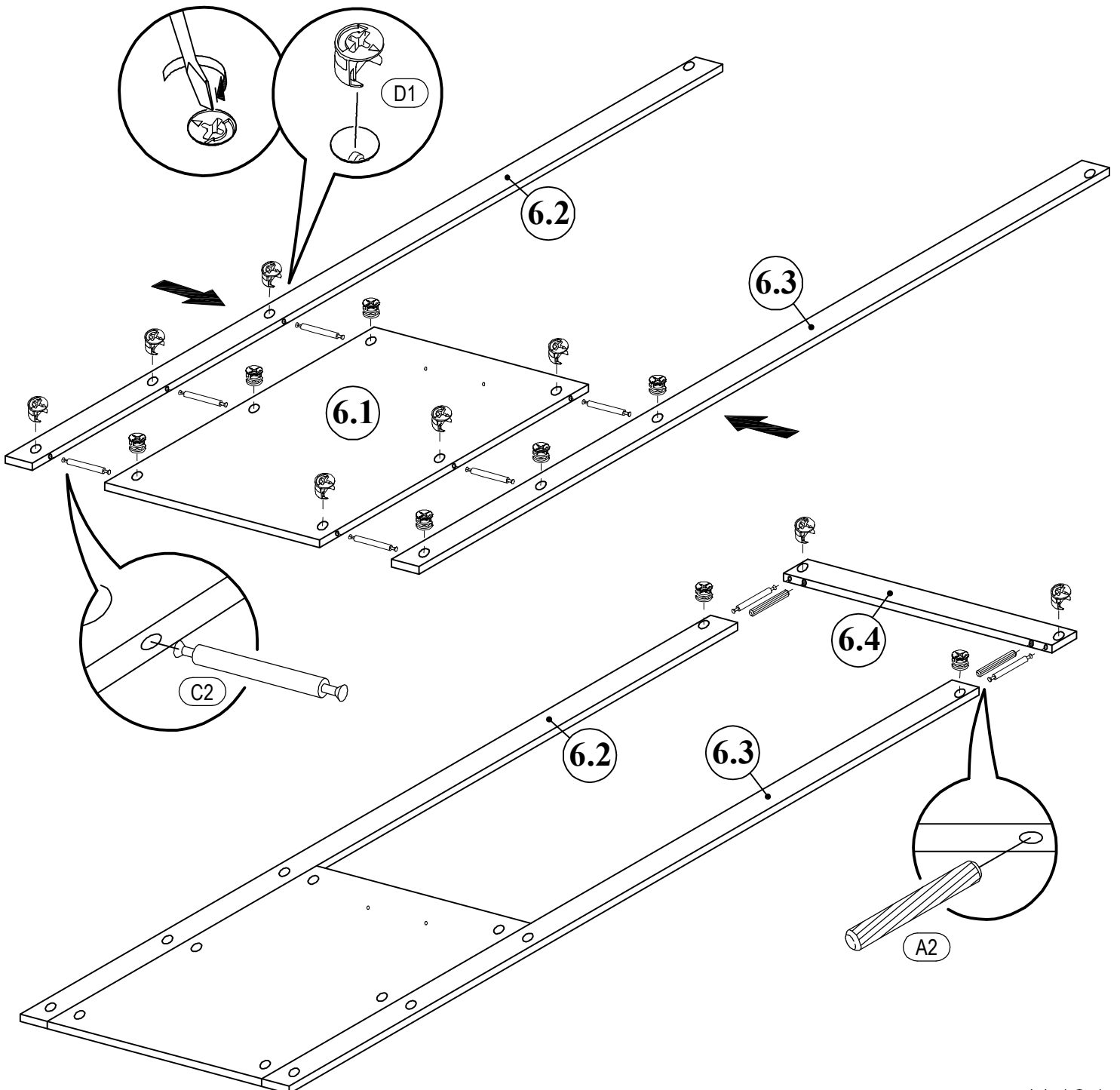
 F2 6,3*13mm x6	 J1 5*16mm x12	 L1 x3
		 R4 N°4 x1


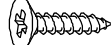
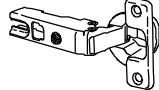

5



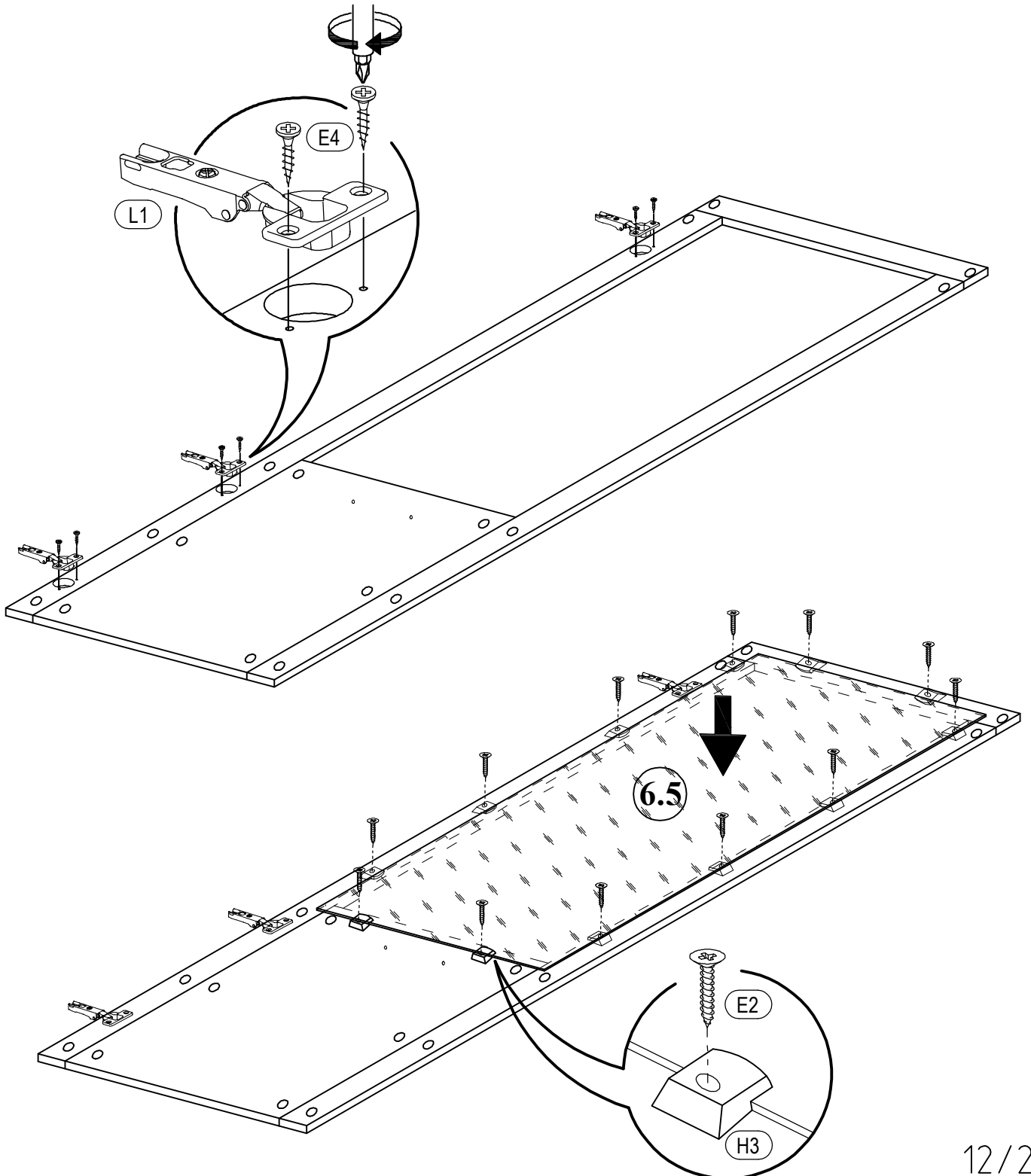
 A2 8*50mm x2	 C2 8*56mm x8	 D1 16mm x16
---	--	--

6



 E2 3*15mm x12	 E4 3,5*16mm x6	 L1 x3
		 H3 x12

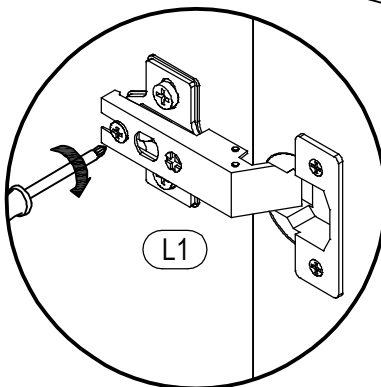
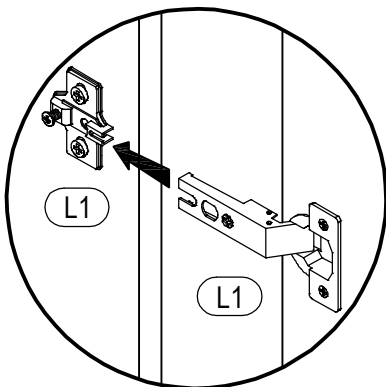
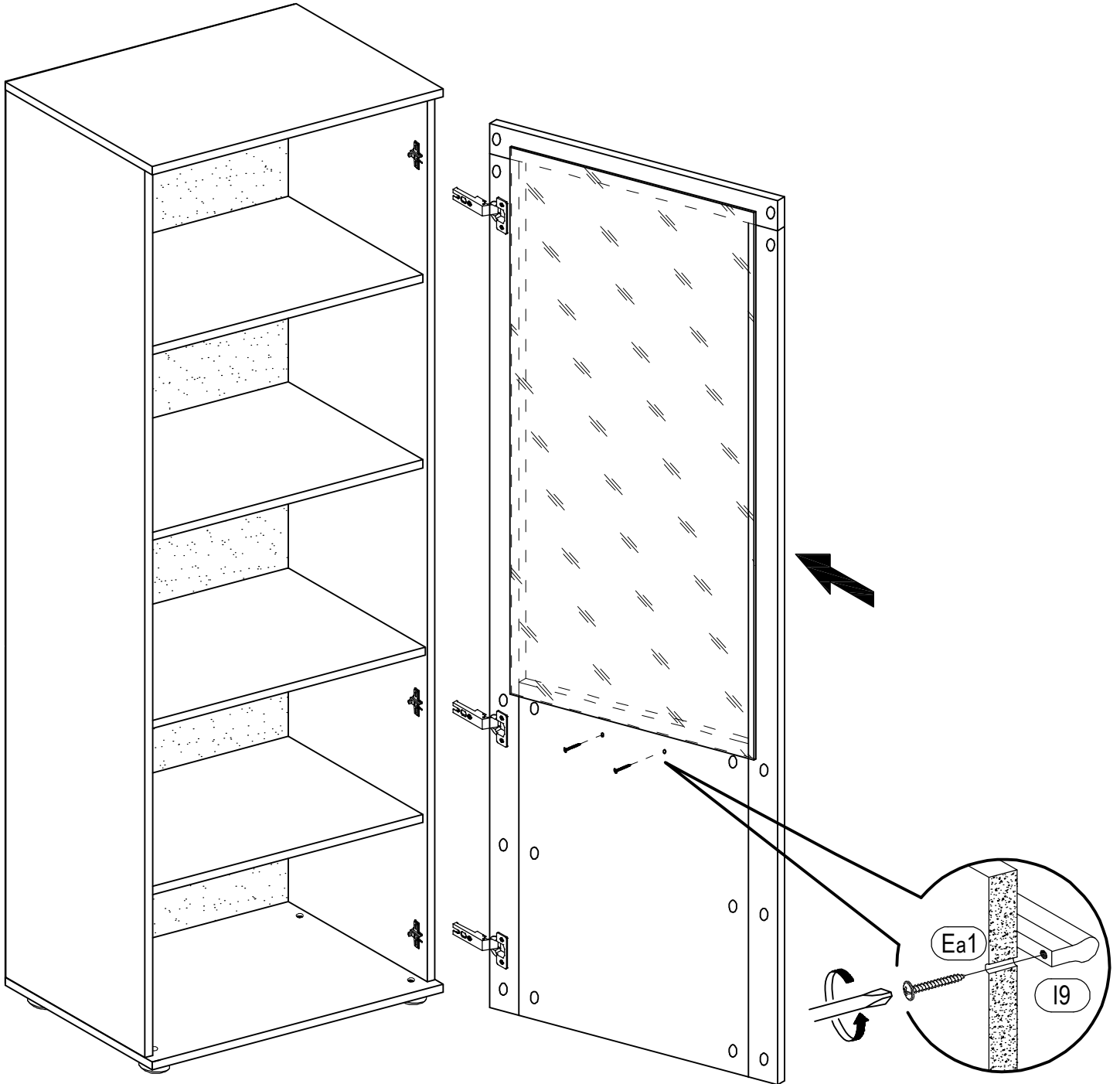
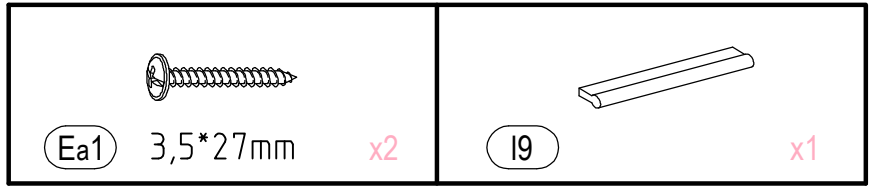
7



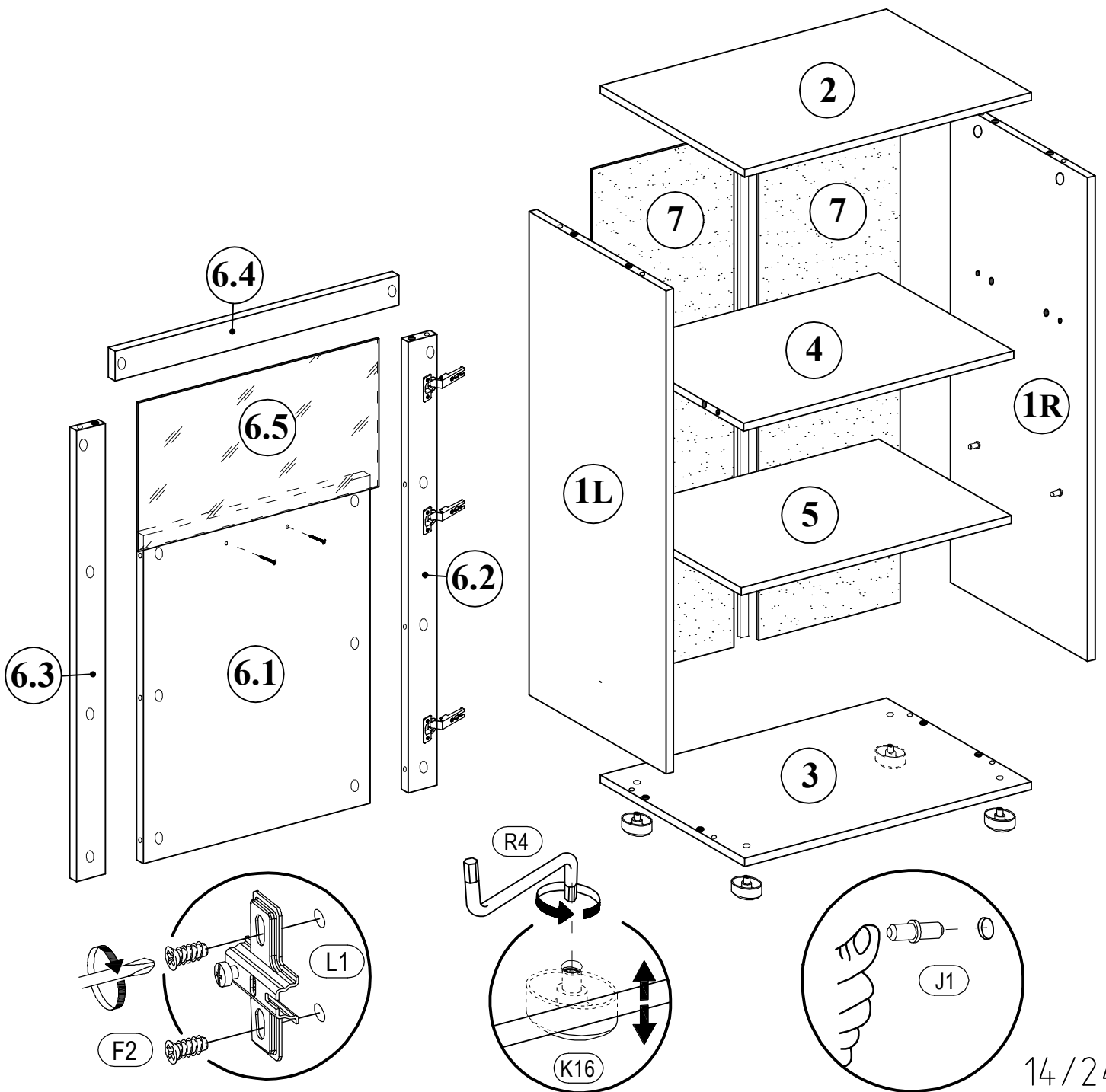
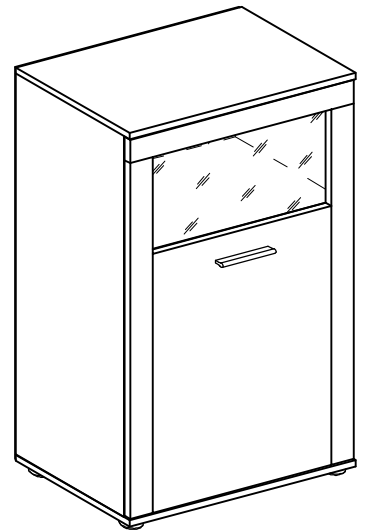
A

AUSTIN 1

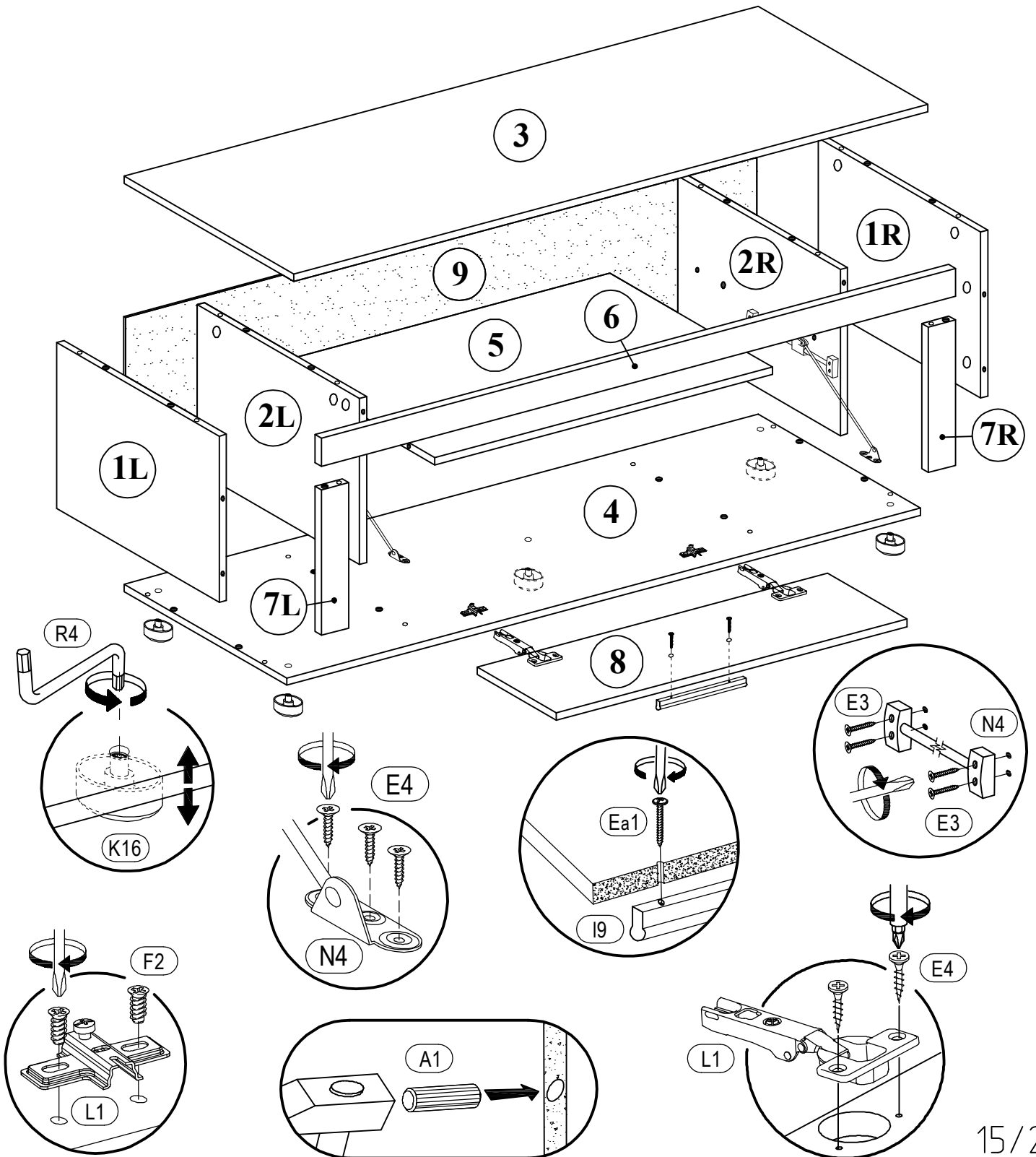
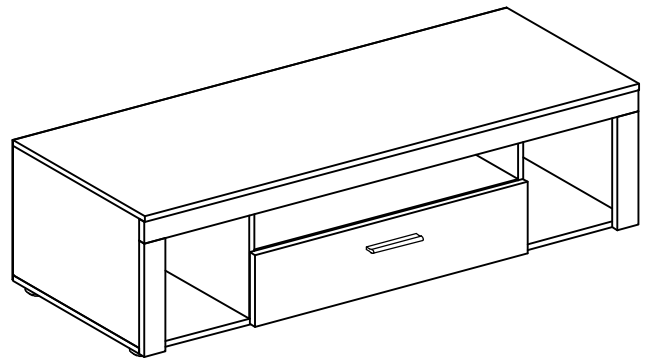
8



9

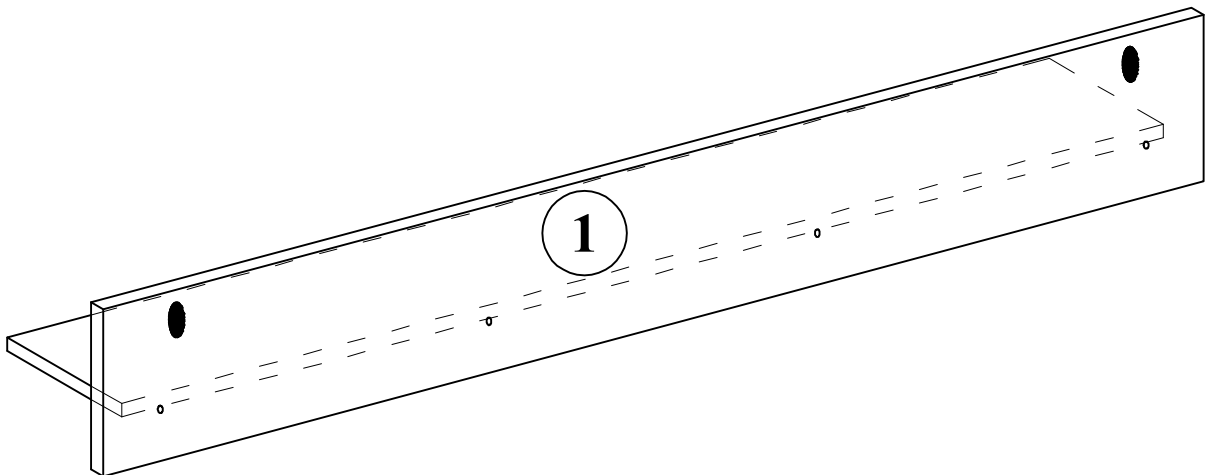
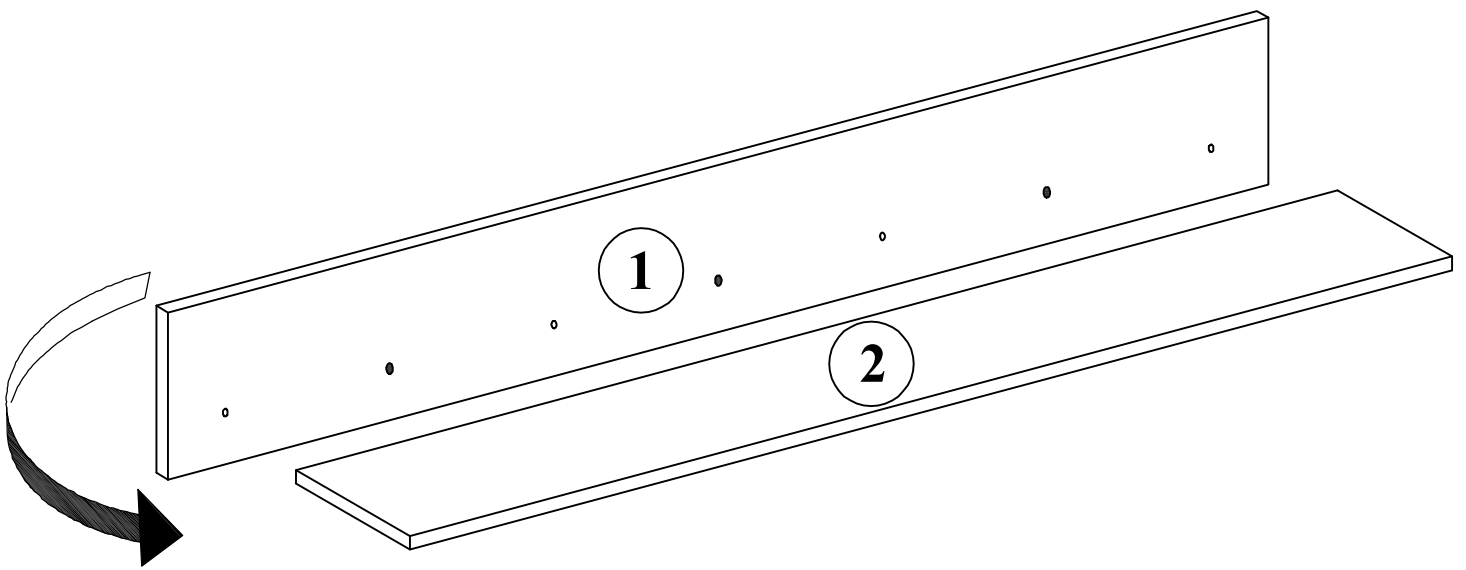
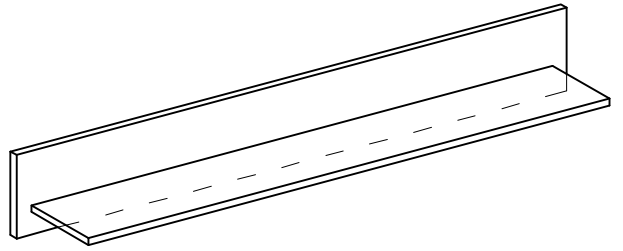




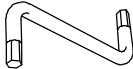
10



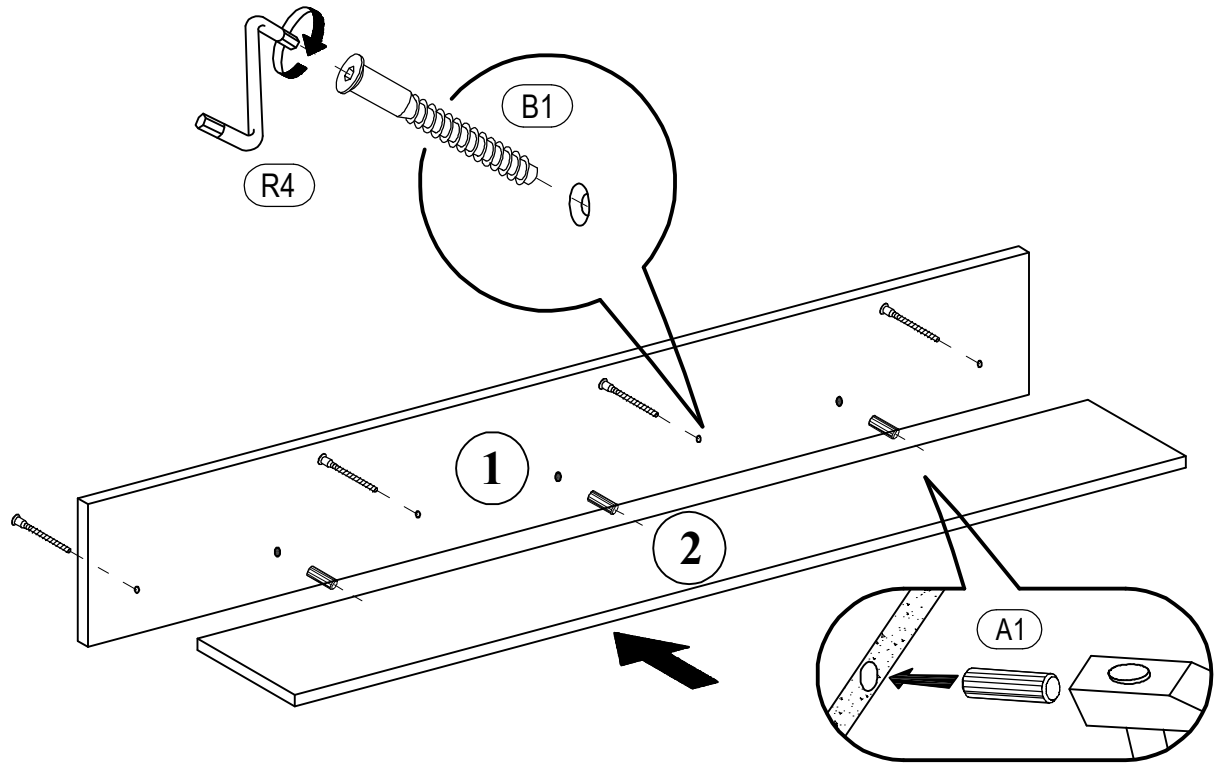
D

AUSTIN 1





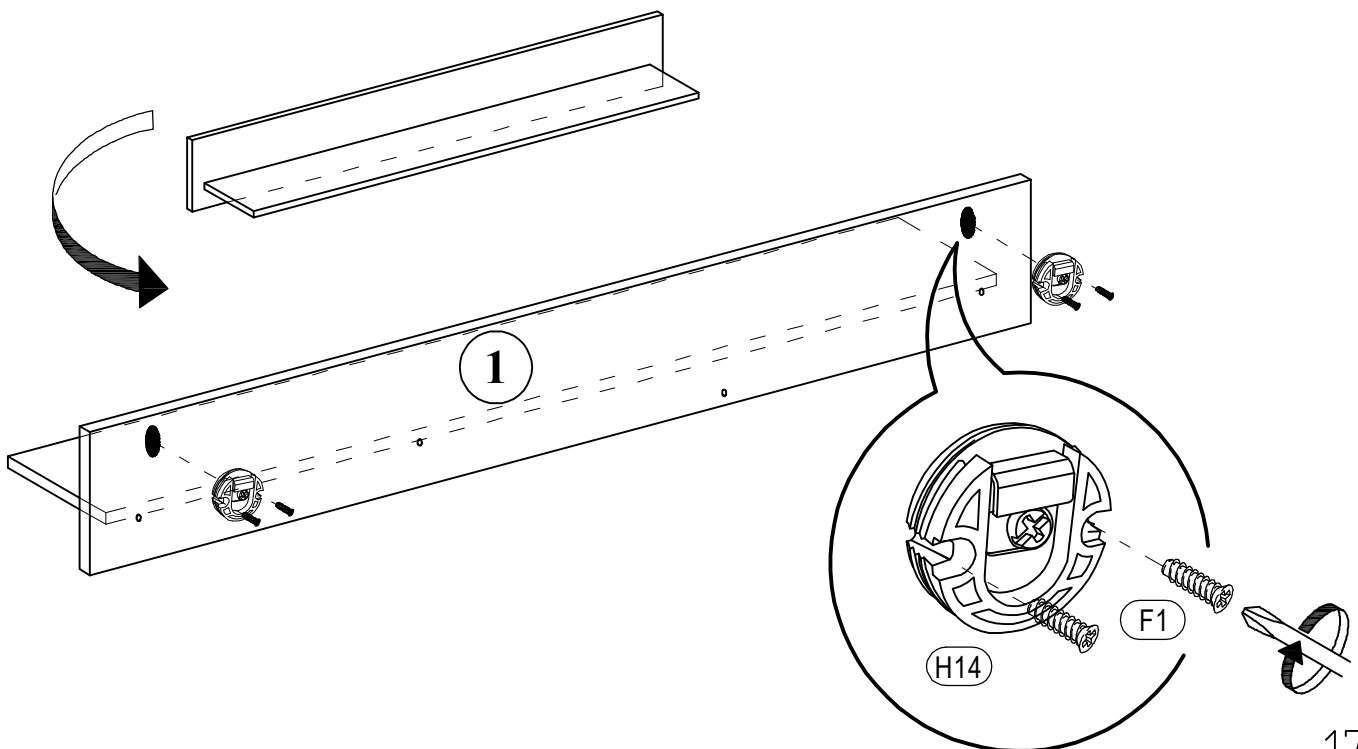
 A1 8*30mm x3	 B1 6,3*50mm x4	 R4 N°4 x1
---	--	--

11

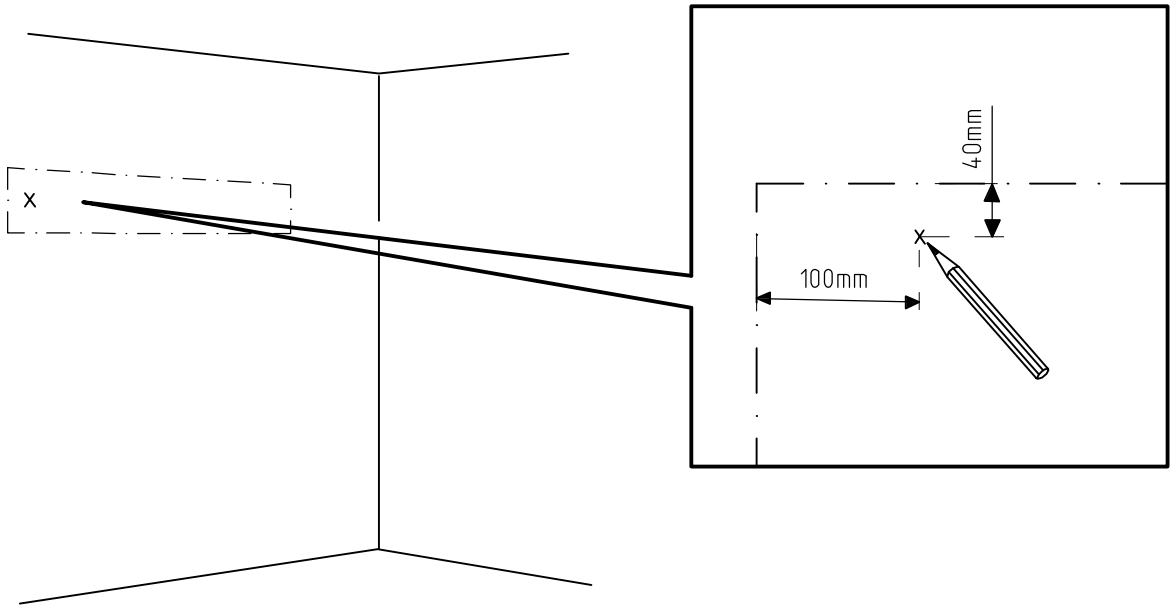


12

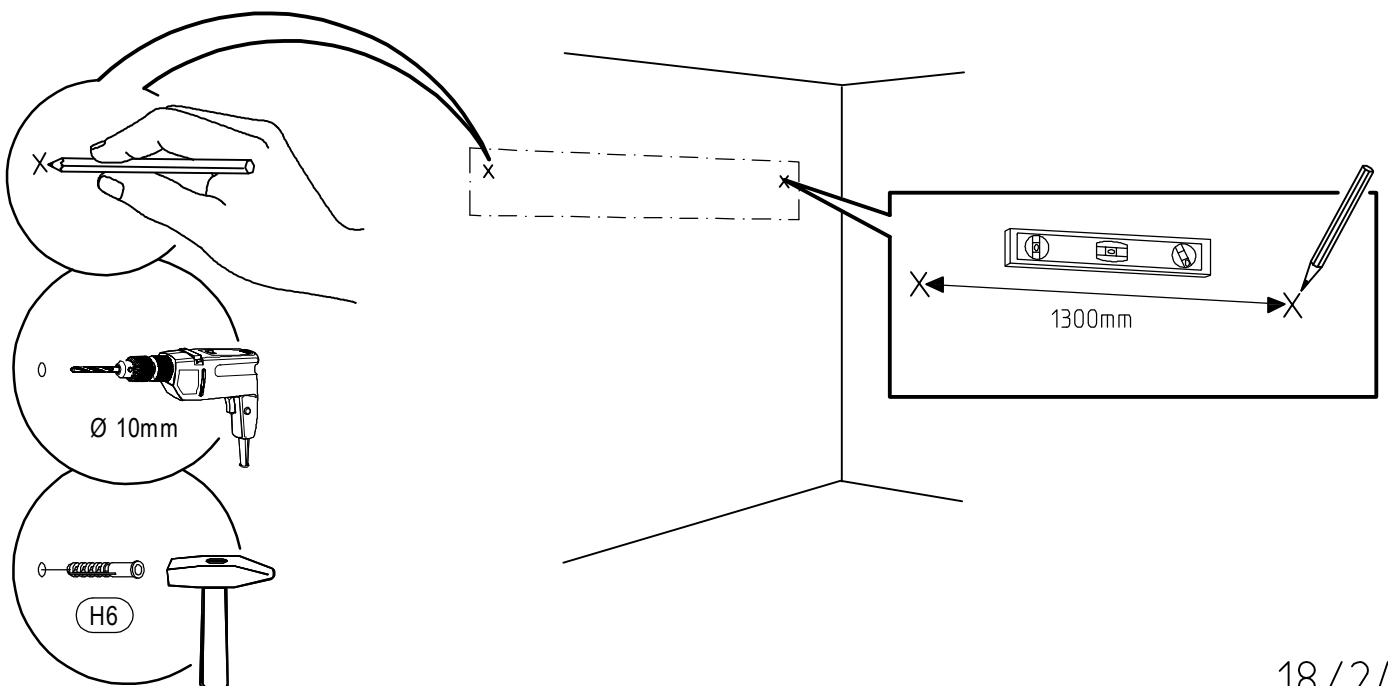
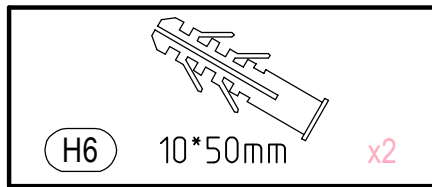
 F1 5,0*10,5mm x4	 H14 x2
---	---



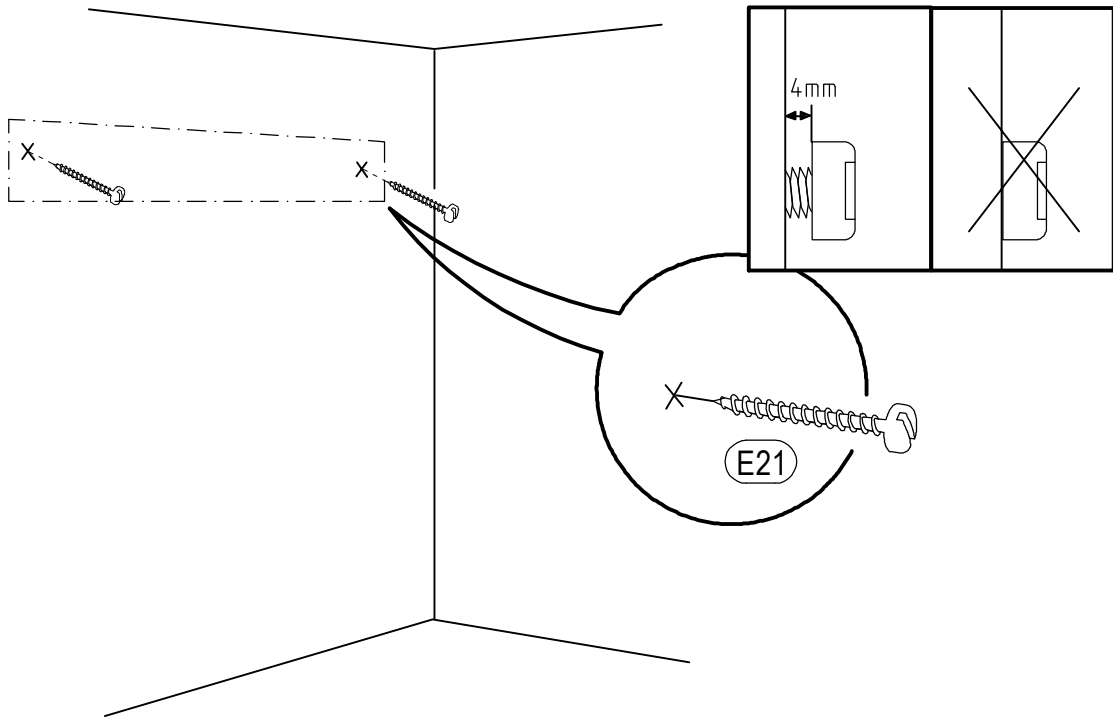
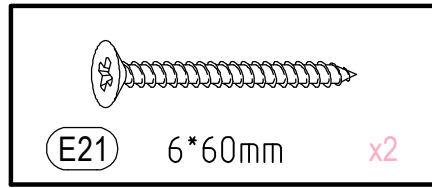
13



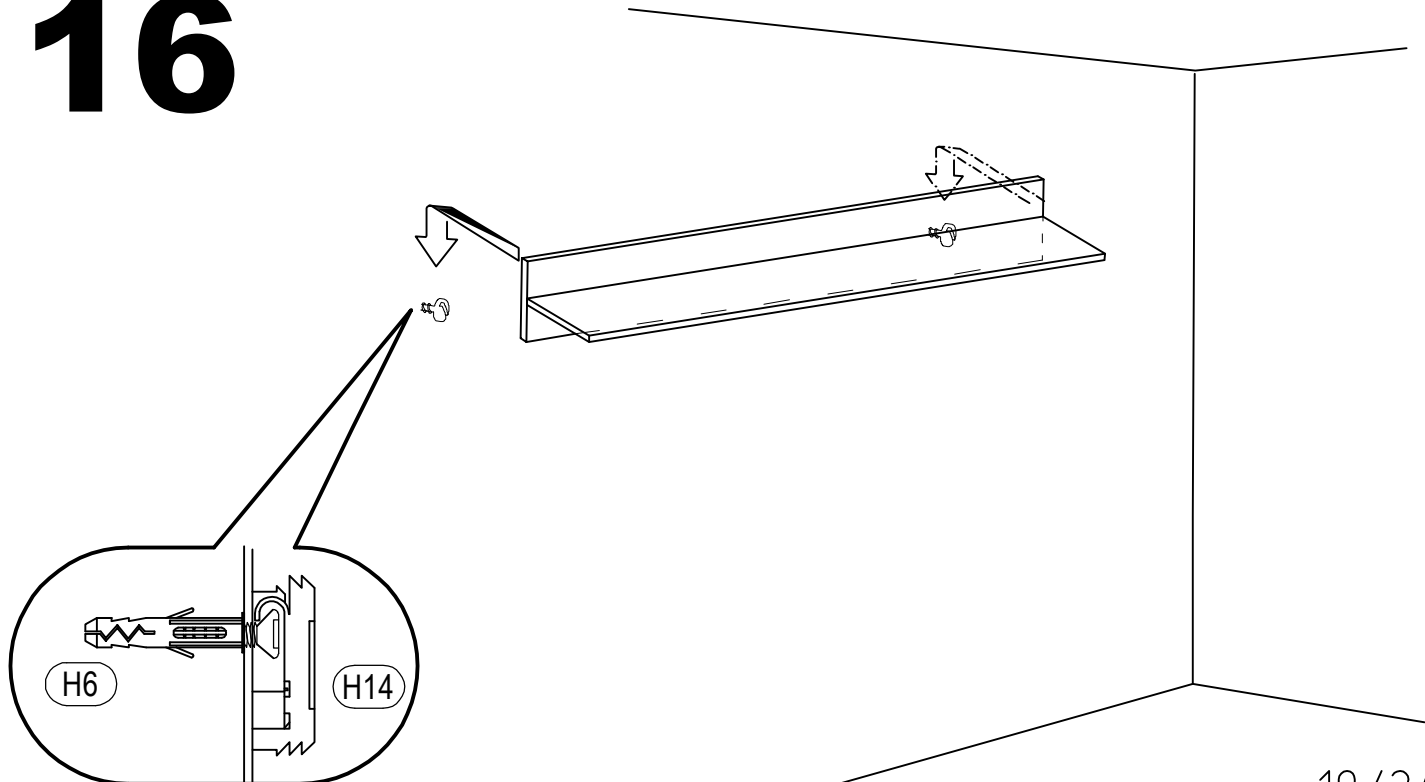
14


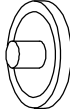
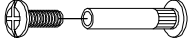


15

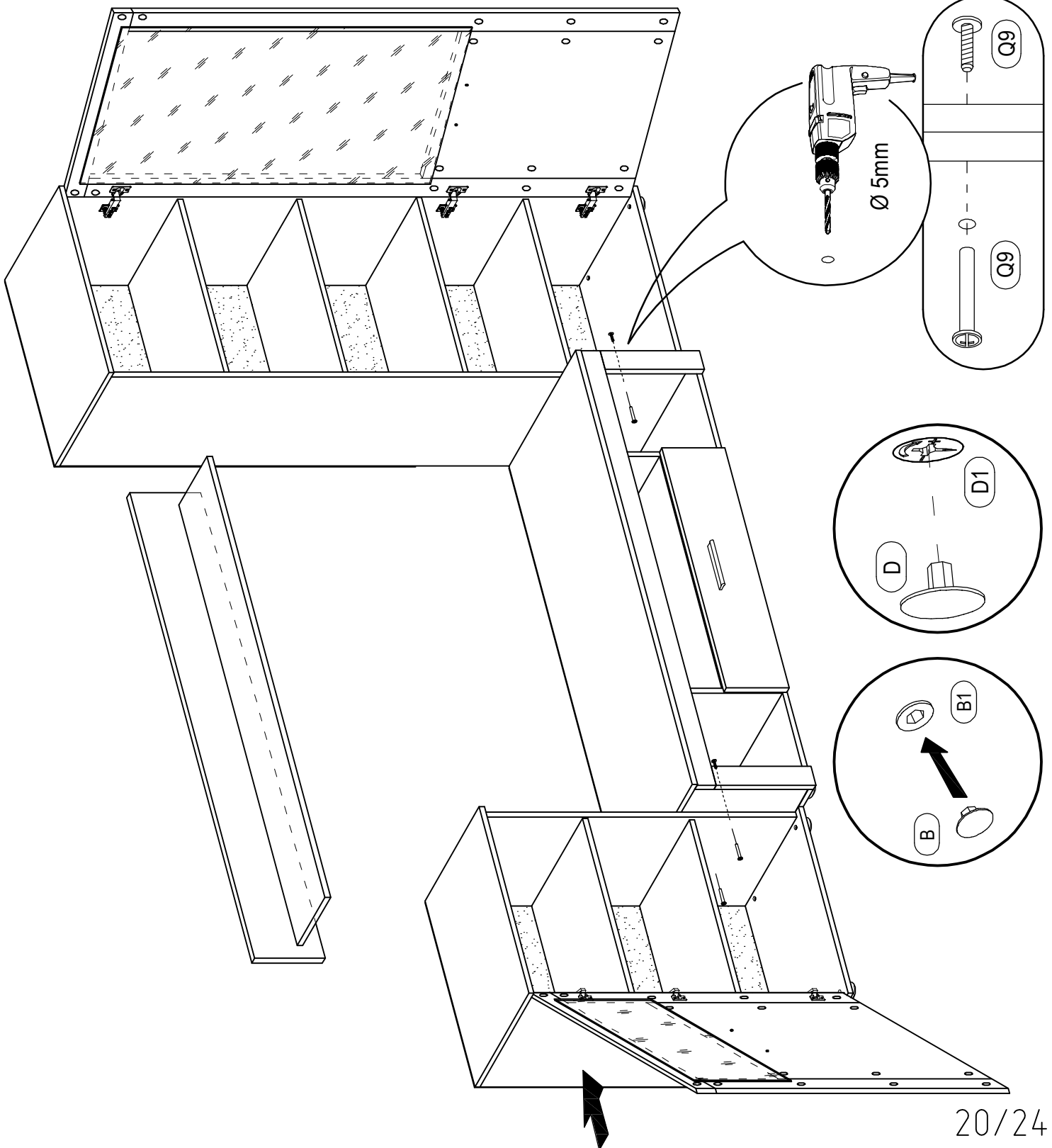





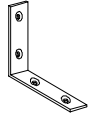
16



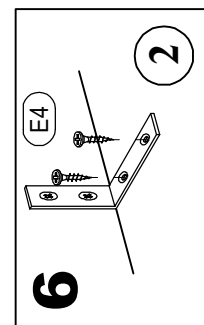
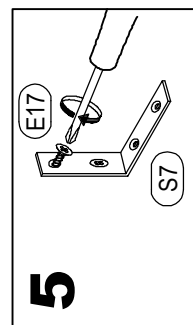
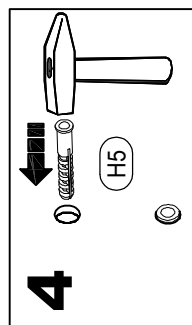
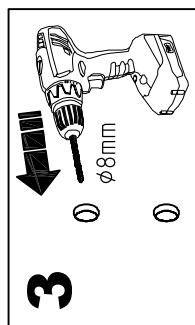
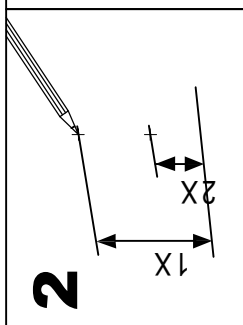
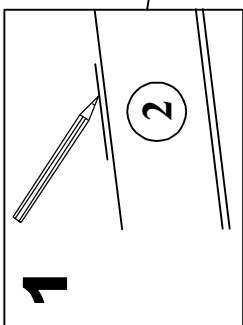
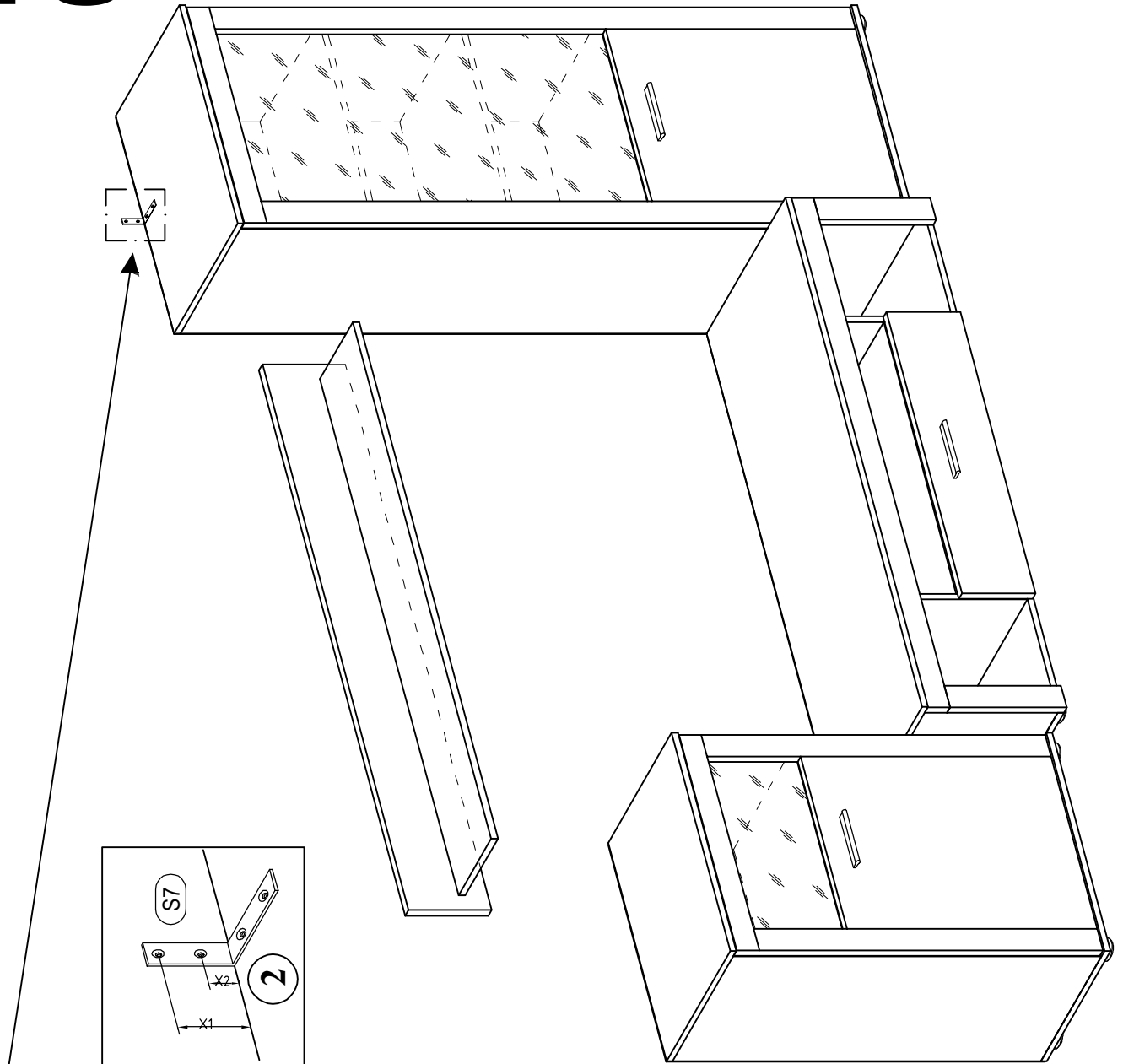
 B	x20	 D	x70	 Q10	M 4	x4
--	-----	--	-----	--	-----	----

17

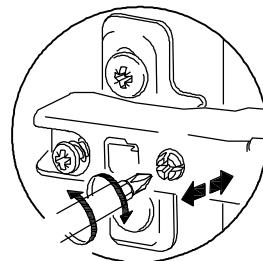
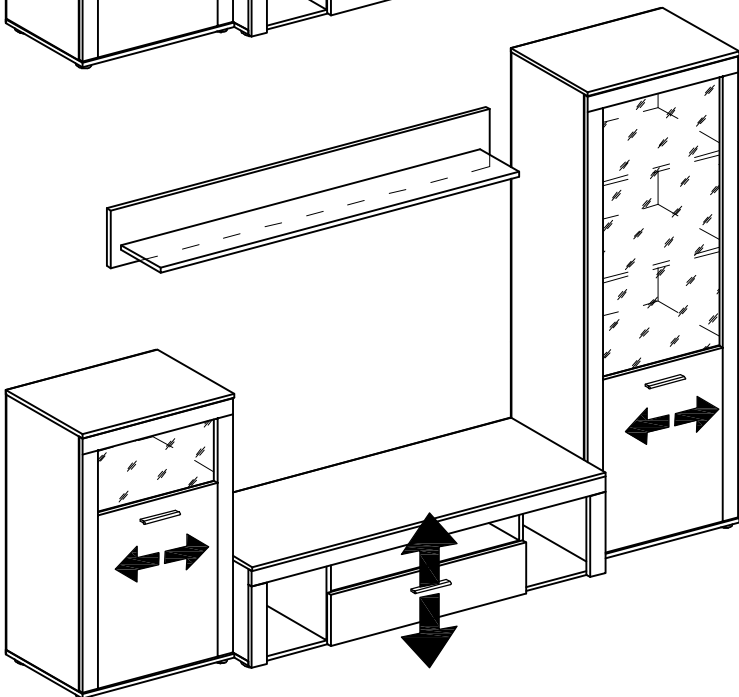
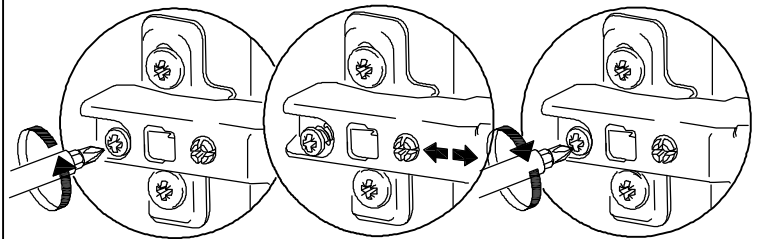
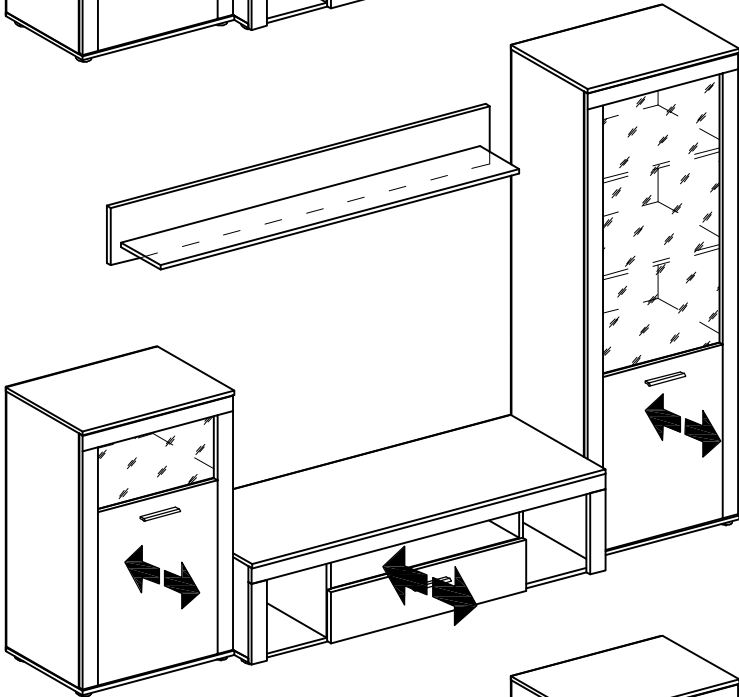
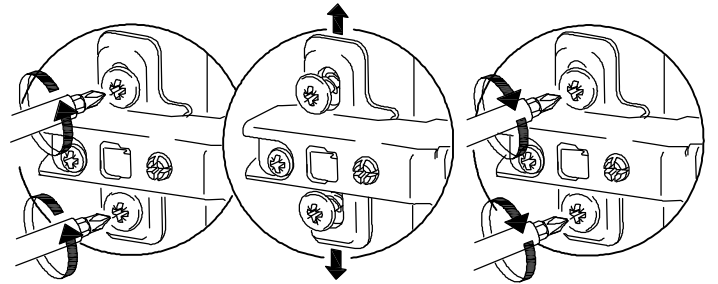
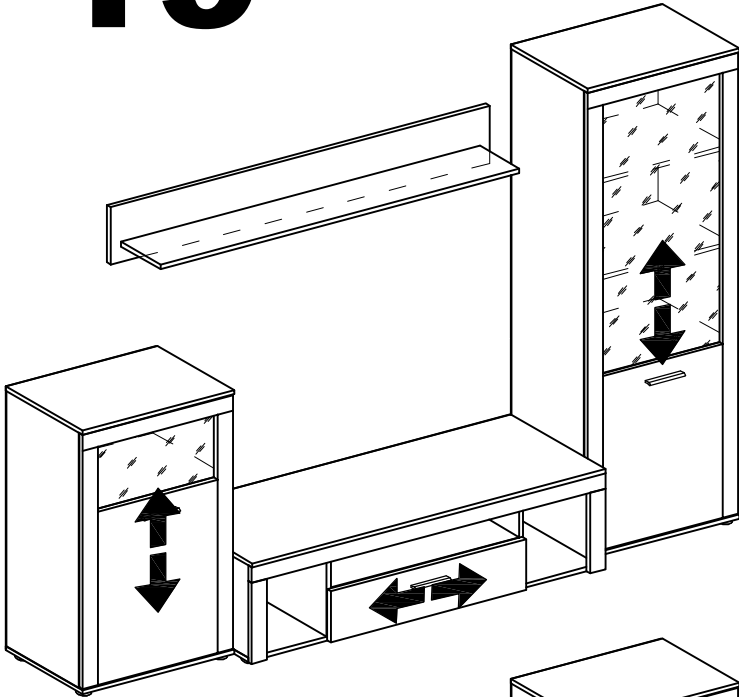


 E4 3,5*16 x2	 E17 4*60mm x2	 H5 8*50mm x2
		 S7 60x60x15 x1

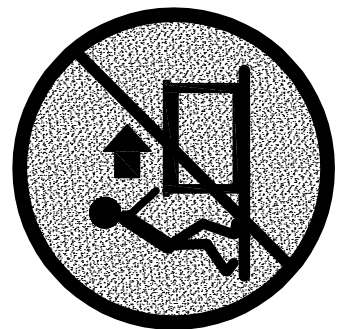
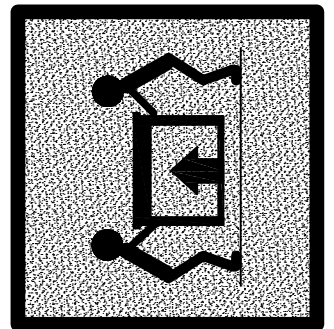
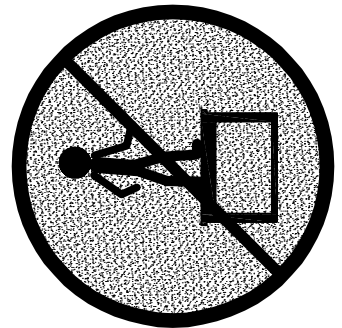
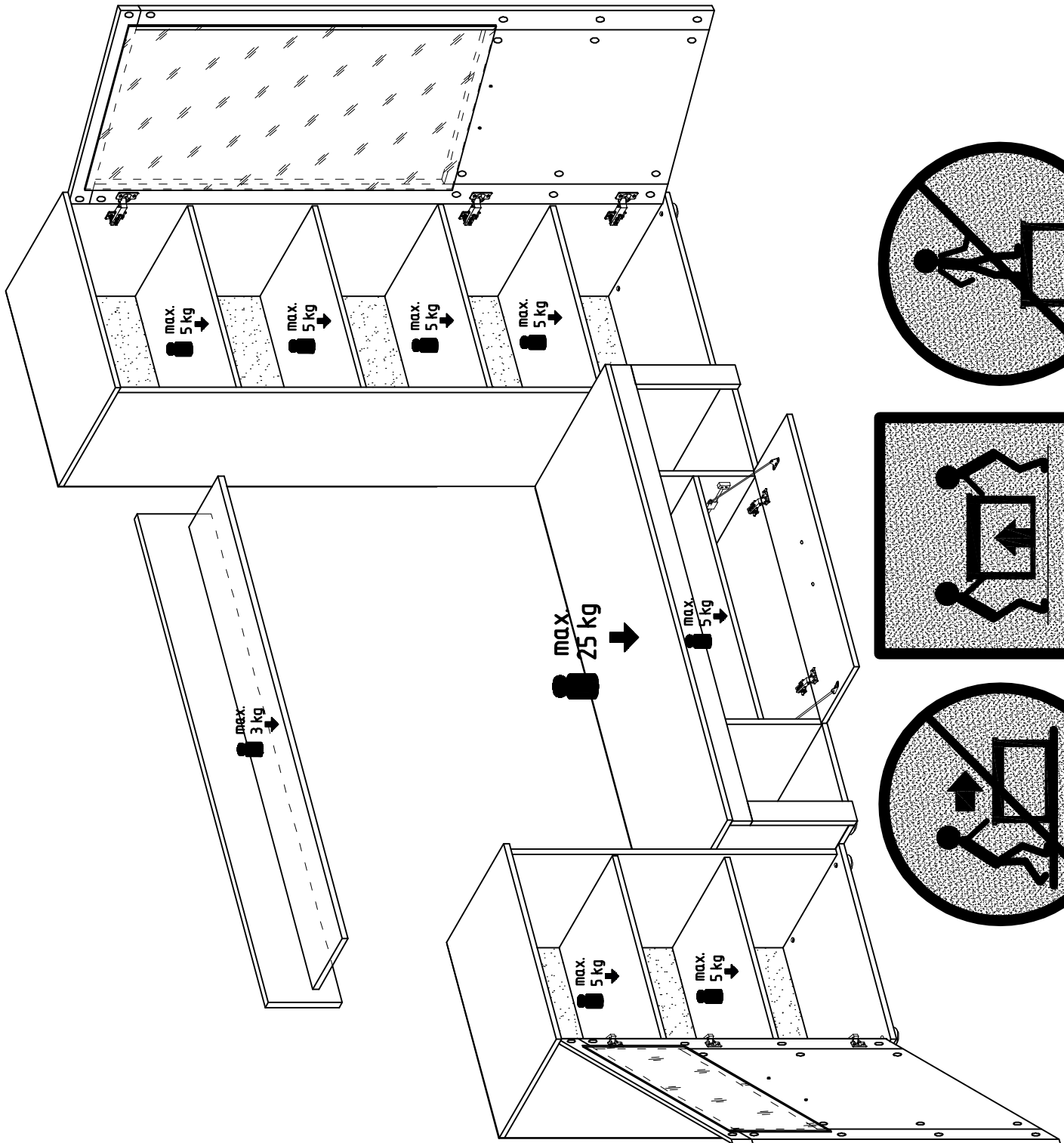
18



19



AUSTIN 1



AUSTIN 1

