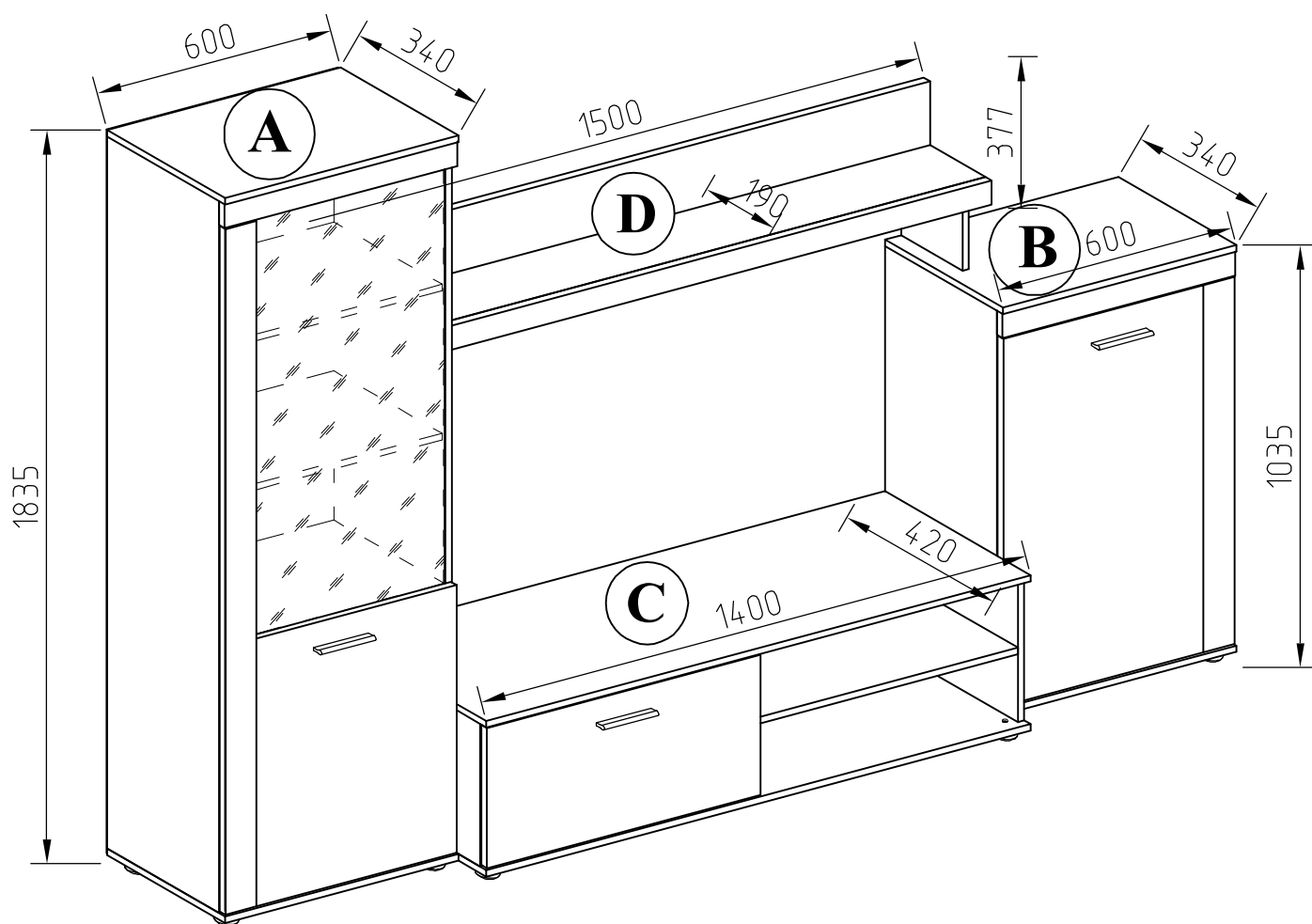
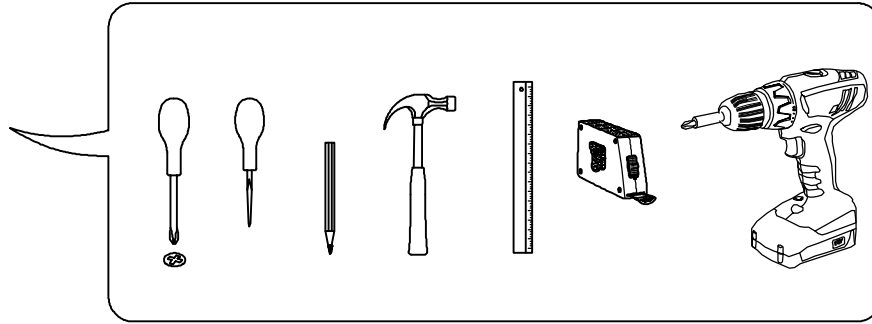
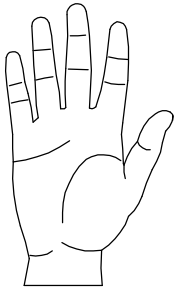


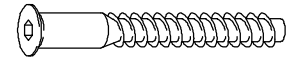
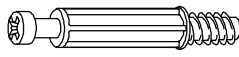

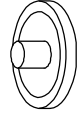


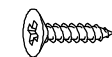


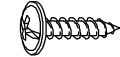

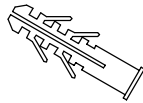
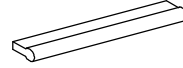
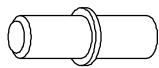
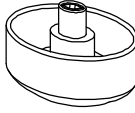
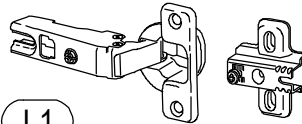
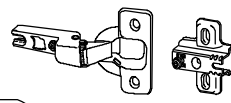
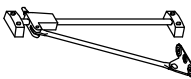
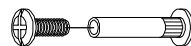





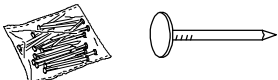
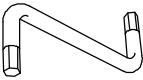



# AUSTIN 2

---





 <b>A1</b> 8*30mm x45	 <b>B</b> x23	 <b>B1</b> 6,3*50mm x23
 <b>C1</b> 5*30mm x36	 <b>C2</b> 8*56mm x7	 <b>D</b> x50
 <b>D1</b> 16mm x50	 <b>E3</b> 3*20mm x8	 <b>E4</b> 3,5*16 x24
 <b>E17</b> 4*60mm x2	 <b>Ea1</b> 3,5*27mm x6	 <b>Ea2</b> 4,2*16mm x6
 <b>F2</b> 6,3*13mm x16	 <b>H5</b> 8*50mm x2	 <b>I9</b> x3
 <b>J1</b> 5*16mm x16	 <b>K16</b> x14	 <b>L1</b> x6
 <b>L2</b> x2	 <b>N4</b> 1R+1L x2	 <b>Q10</b> M 4 x4
 <b>P10</b> L- 1101mm x1	 <b>P10</b> L- 976mm x1	 <b>P10</b> L- 647mm x1

 <b>R3</b> 1.4*25mm 0.05kg	 <b>R4</b> N°4 x1	 <b>S7</b> 60x60x15 x1
 <b>U3</b> x6	 <b>U7</b> x6	

**A**

No	a*b	x	N°→...
1L	1768x320	x1	1/3
1R	1768x320	x1	1/3
2	600x338	x1	2/3
3	600x338	x1	2/3
4	566x316	x1	1/3
5	565x310	x3	1/3
6	598x60	x1	2/3
7.1	514x664	x1	2/3
7.2	1702x80	x1	1/3
7.3	1073x530	x1	2/3
8	670x296	x2	3/3
9	1124x296	x2	1/3

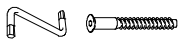
**D**

No	a*b	x	N°→...
1	1500x177	x1	1/3
2	1500x158	x1	1/3
3	1500x60	x1	1/3
4	200x174	x1	1/3

**B**

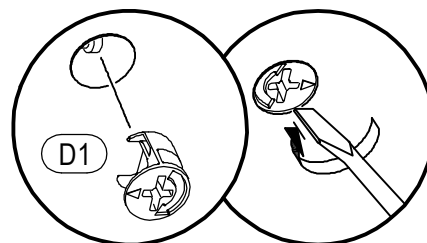
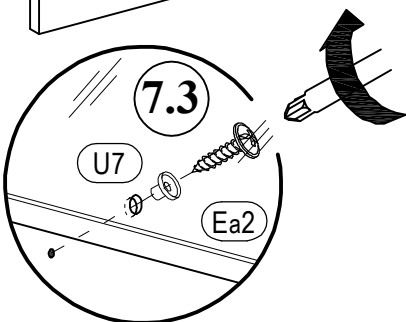
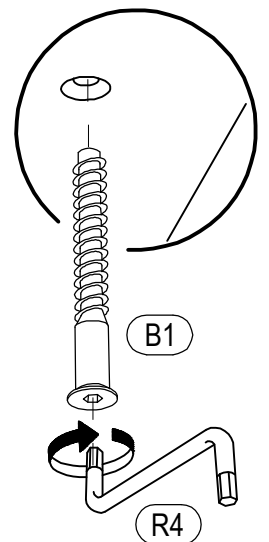
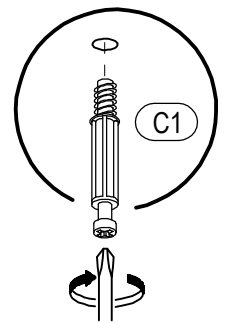
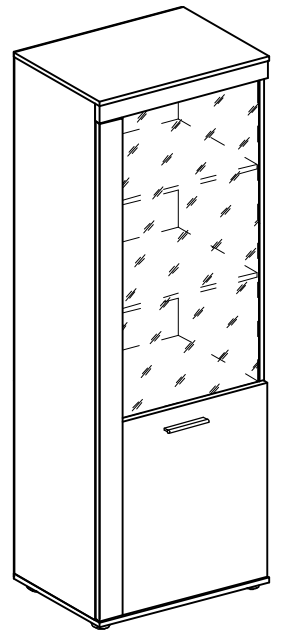
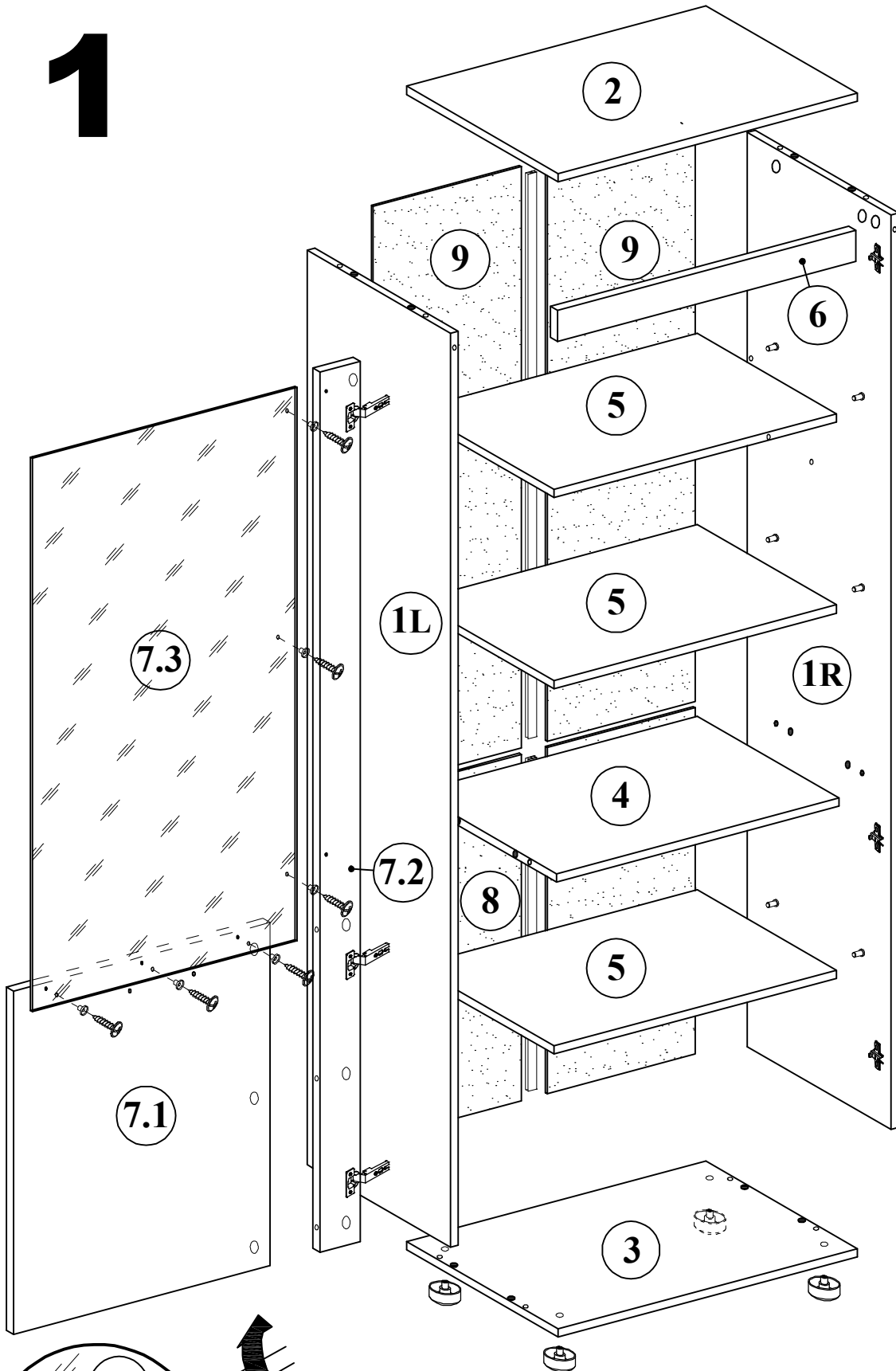
No	a*b	x	N°→...
1L	978x320	x1	3/3
1R	978x320	x1	3/3
2	600x338	x1	2/3
3	600x338	x1	2/3
4	566x316	x1	1/3
5	565x310	x1	1/3
6	598x60	x1	2/3
7.1	514x912	x1	2/3
7.2	912x80	x1	2/3
8	1006x296	x2	3/3

**C**

No	a*b	x	N°→...
1L	354x400	x1	3/3
1R	354x400	x1	3/3
2	354x400	x1	3/3
3	1400x418	x1	3/3
4	1400x418	x1	3/3
5	675x395	x1	3/3
6	704x348	x1	3/3
7	1395x382	x1	3/3
		x1	2/3

**A**

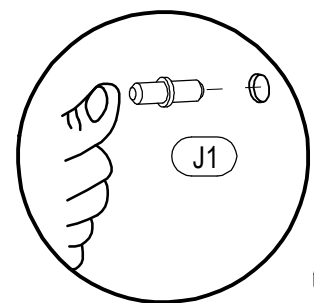
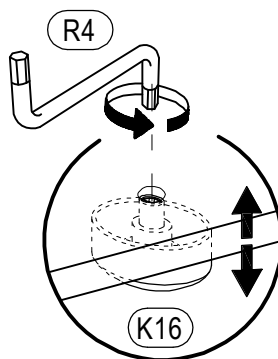
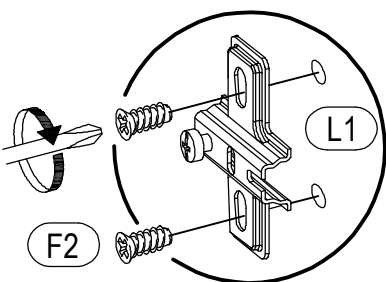
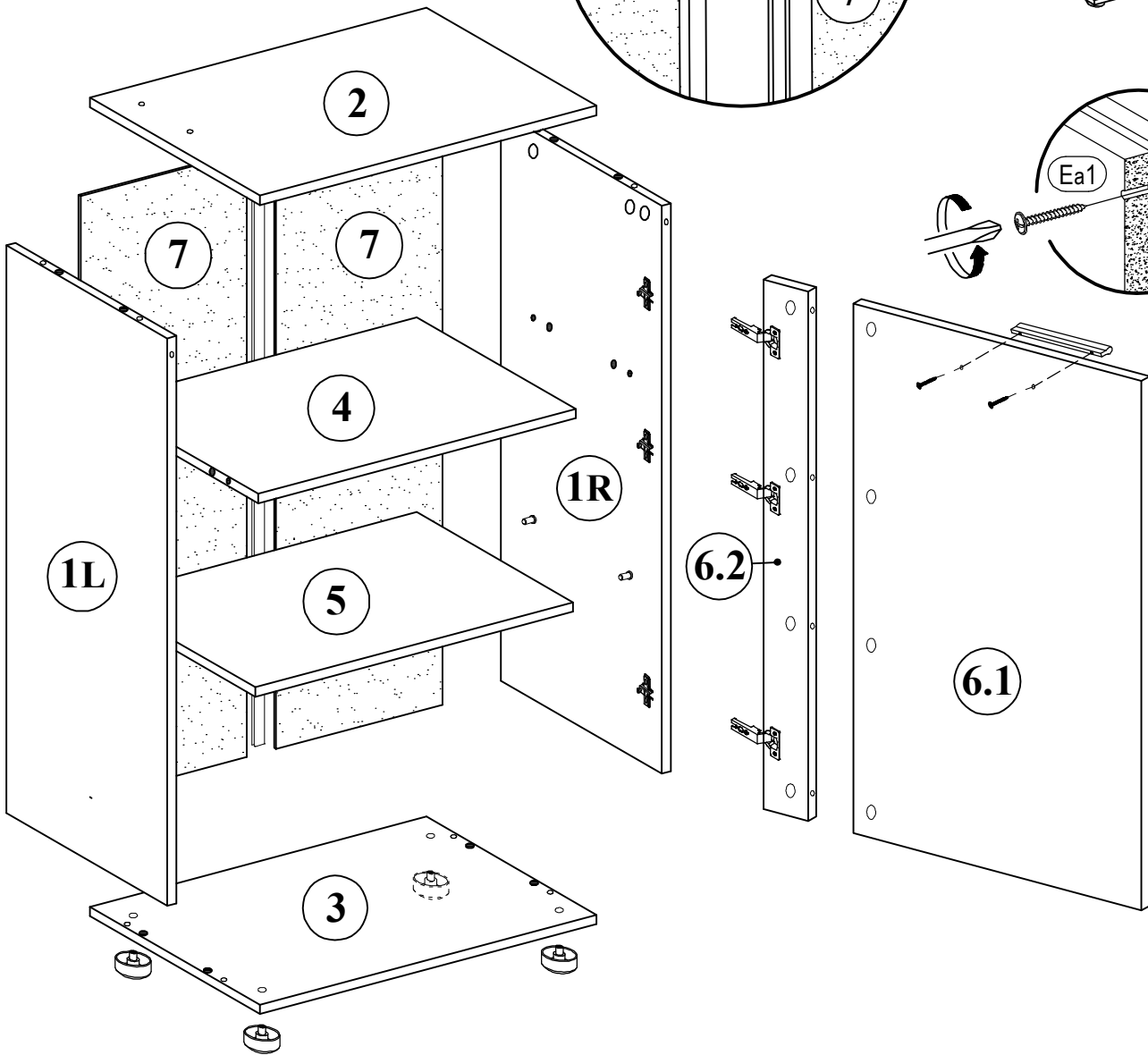
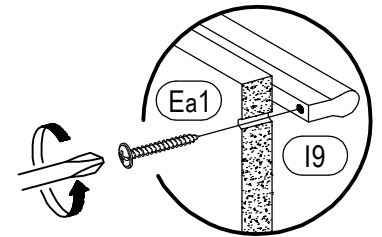
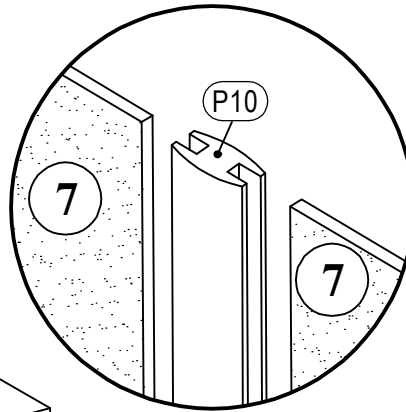
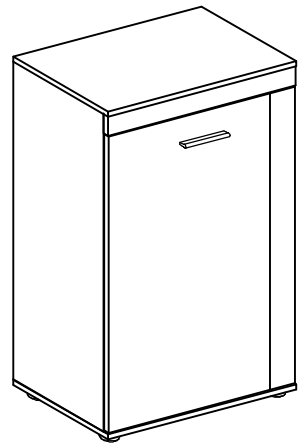
**1**



**B**

**AUSTIN 2**

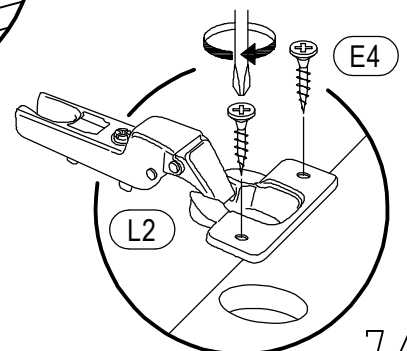
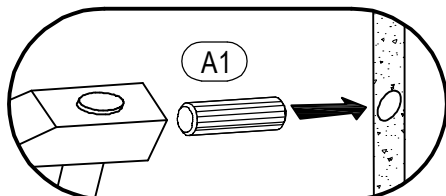
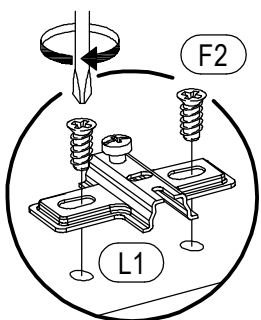
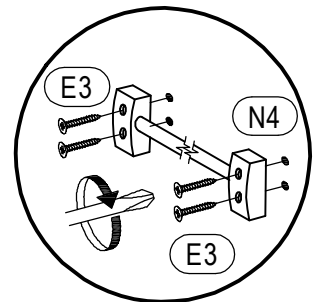
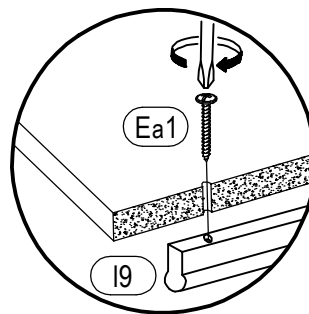
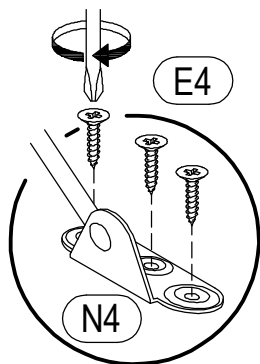
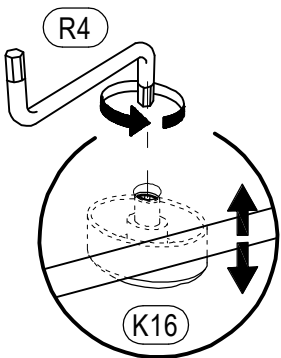
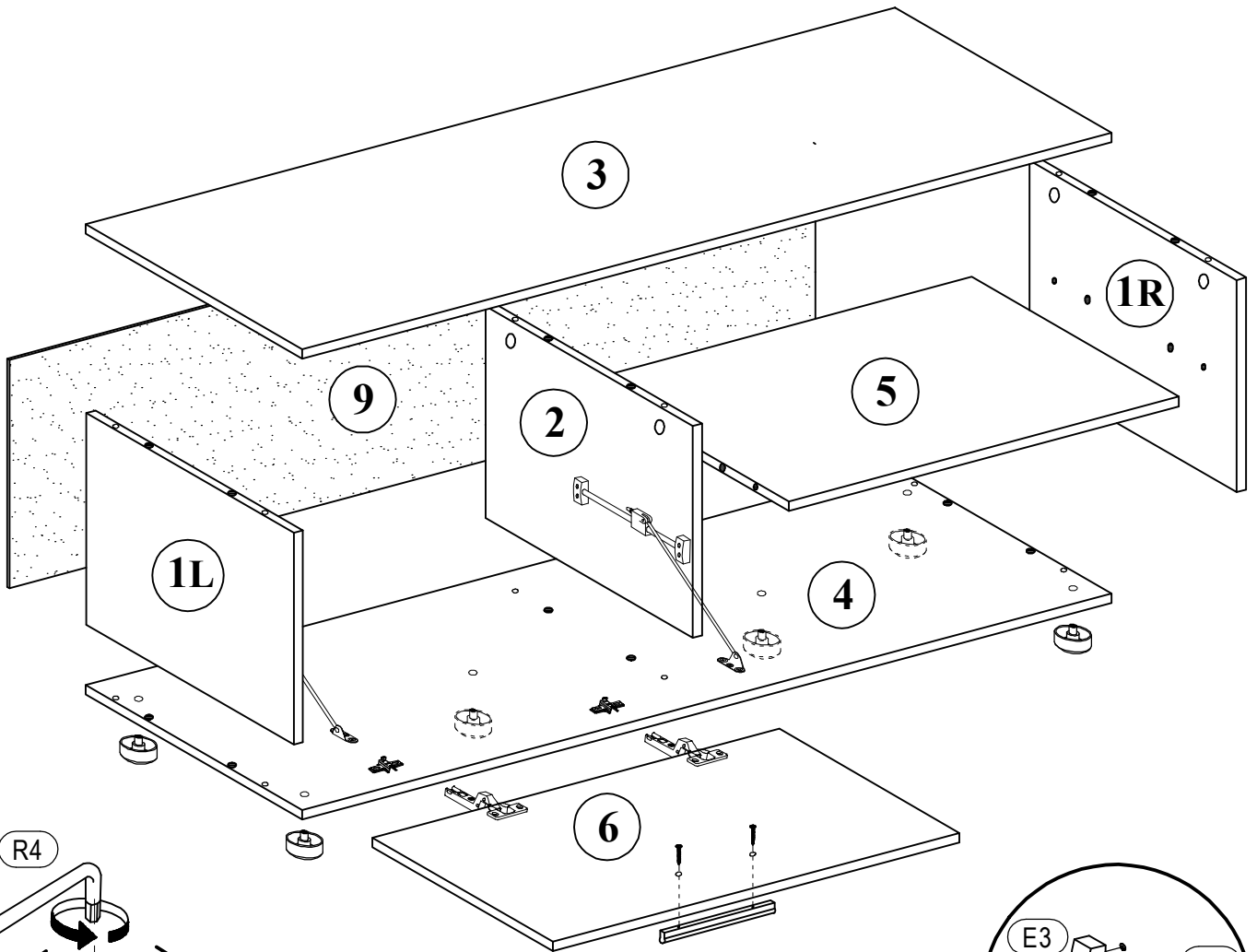
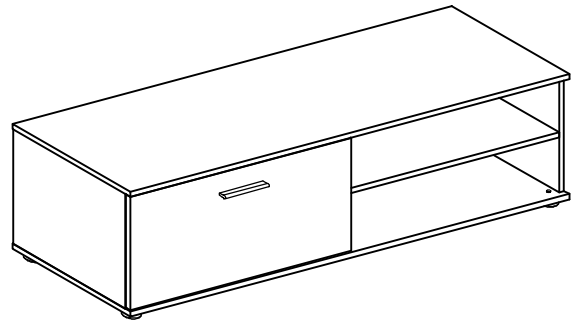
**2**



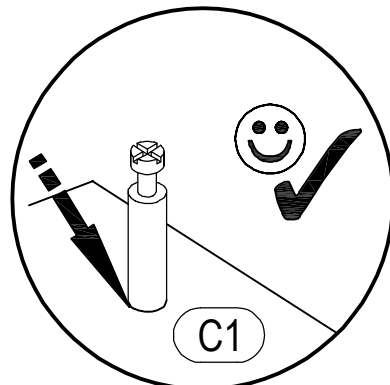
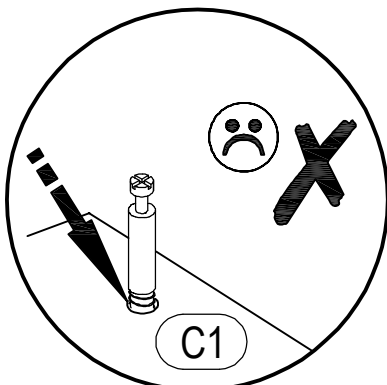
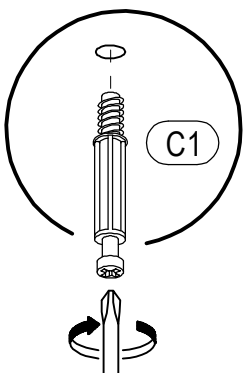
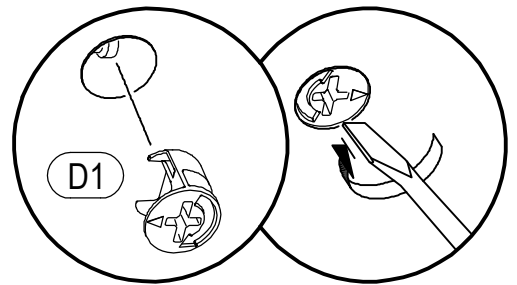
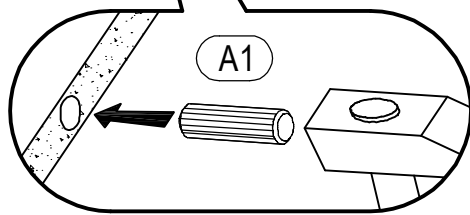
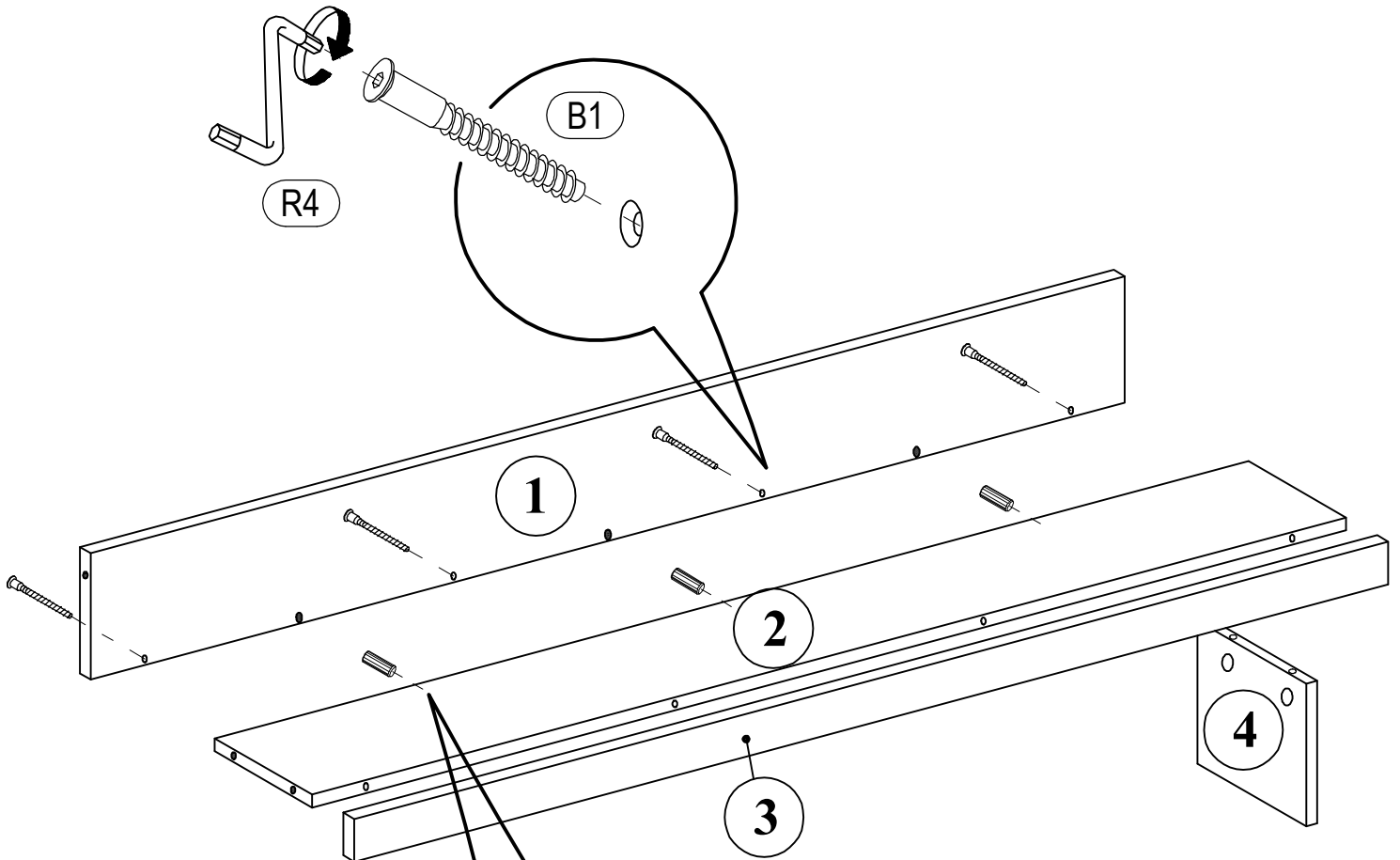
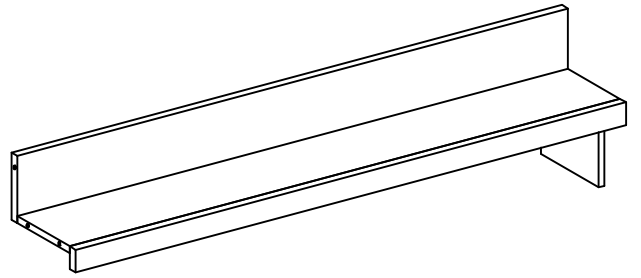
# 3

C

**AUSTIN 2**


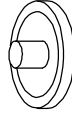
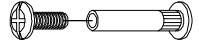

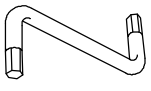


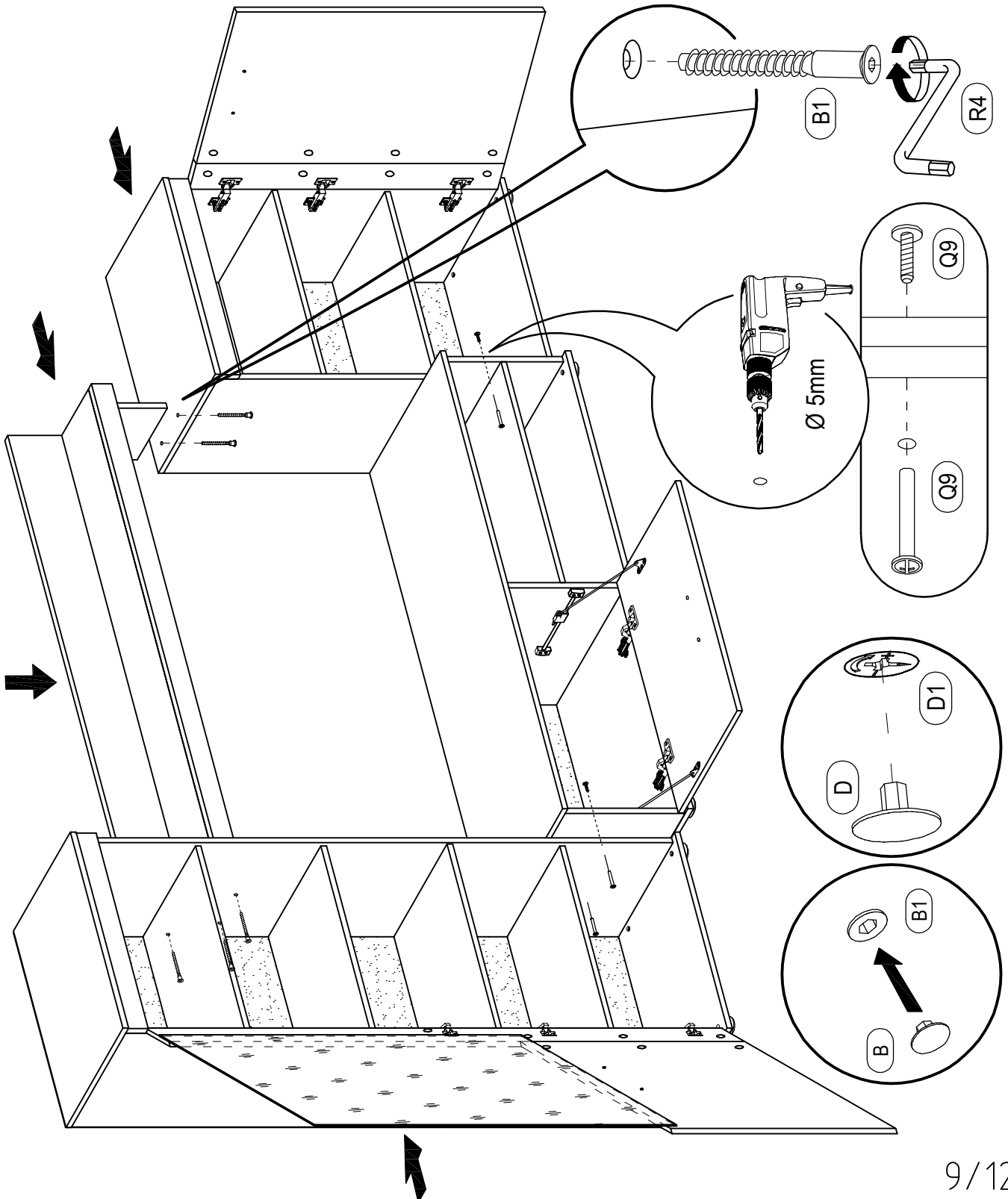
# 4



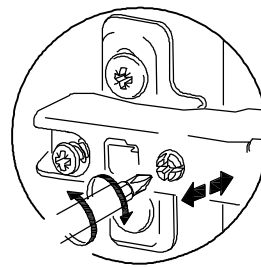
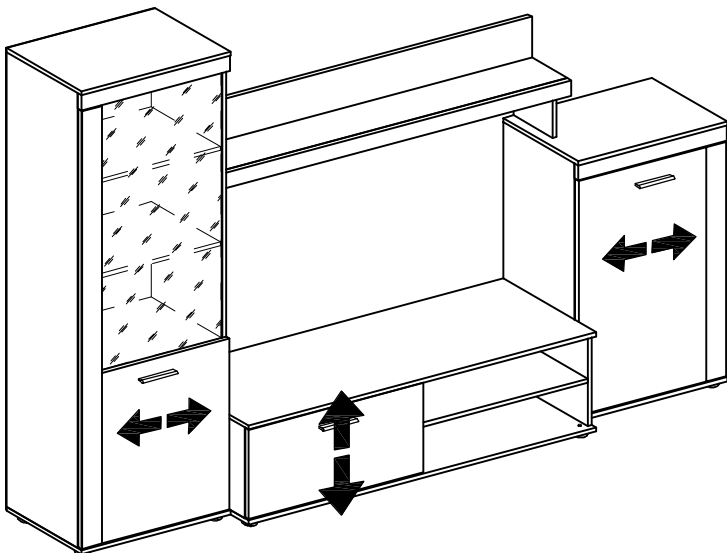
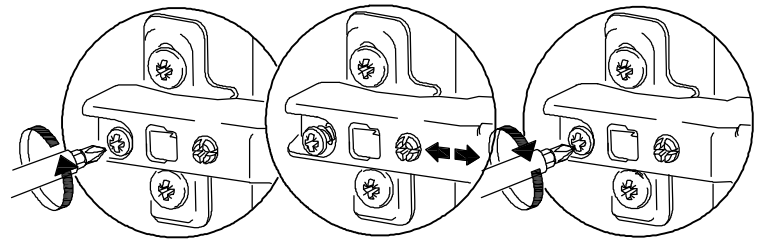
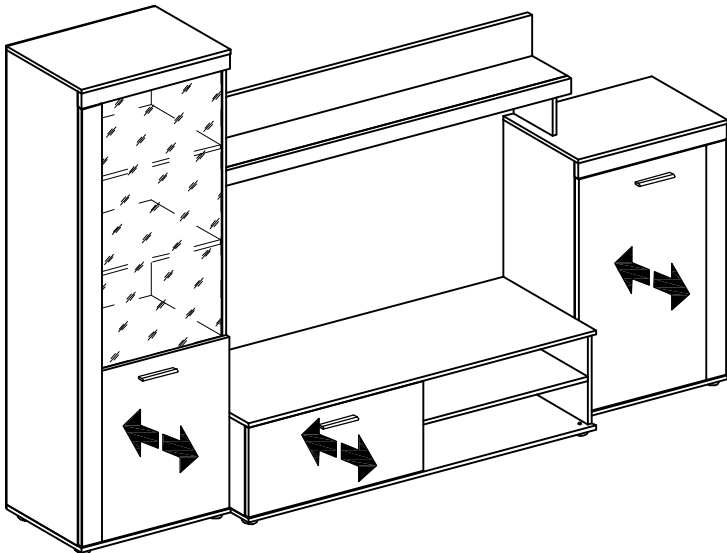
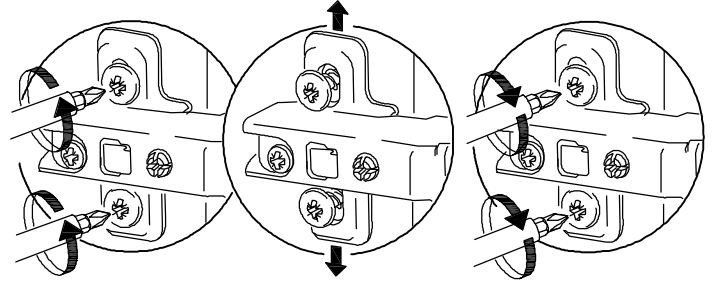
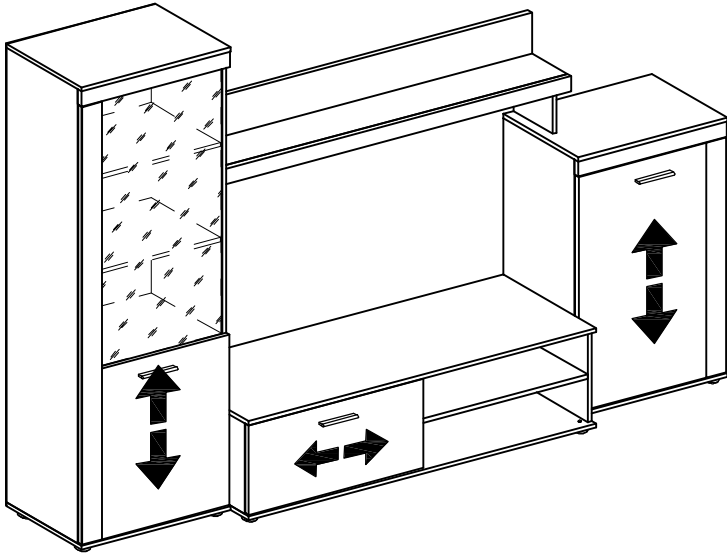


# 5

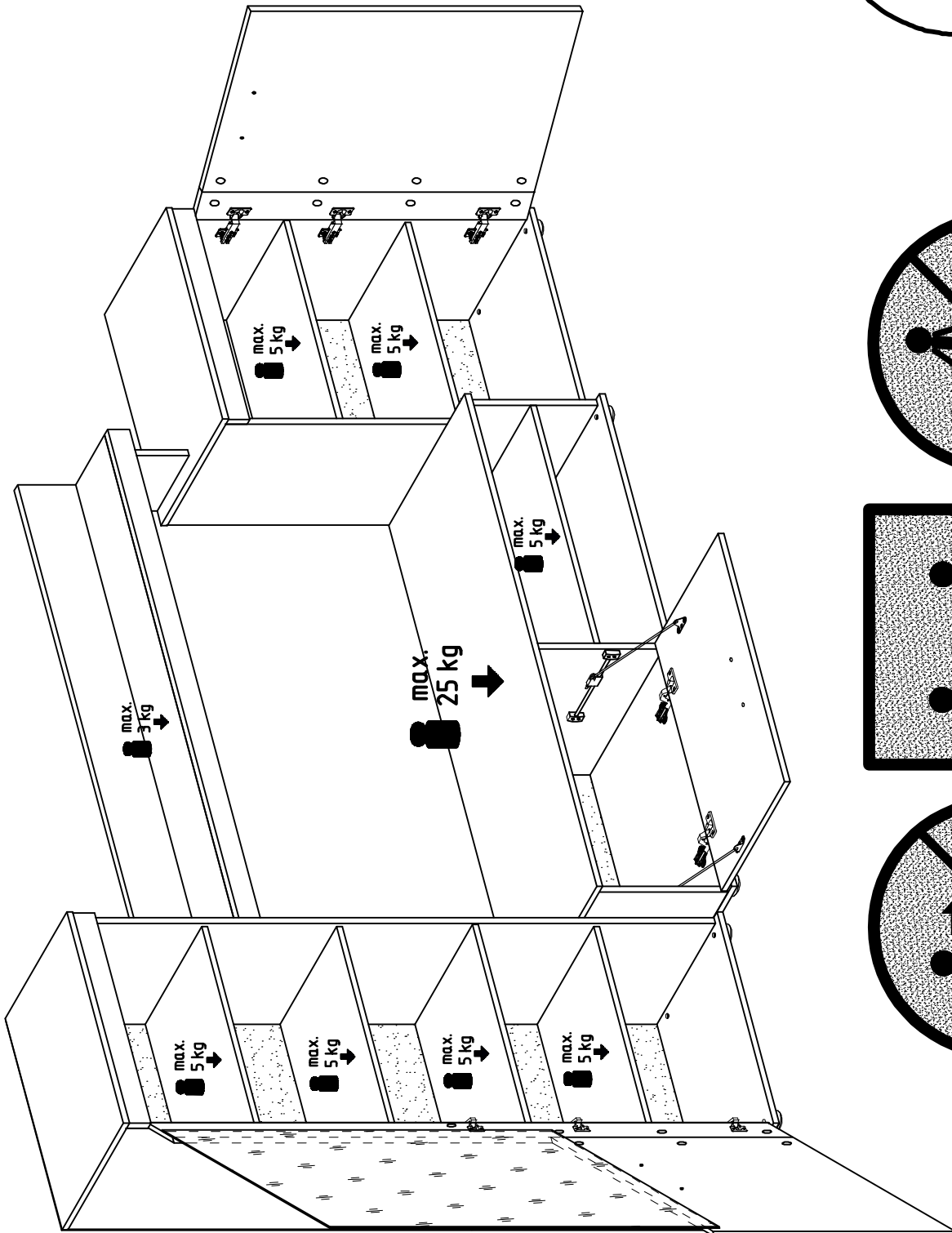
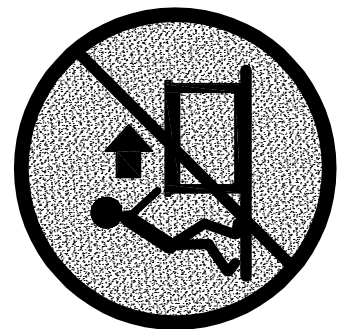
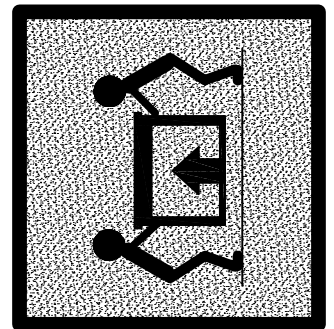
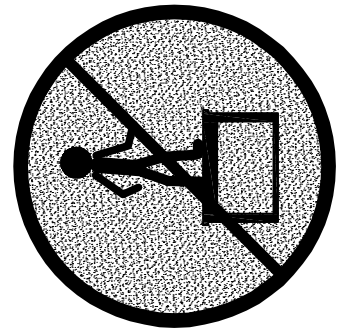
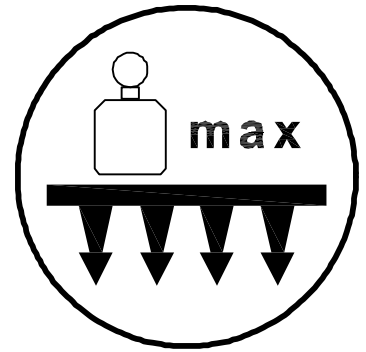
 <p><b>B</b> x23</p>	 <p><b>D</b> x50</p>	 <p><b>Q10</b> M 4 x4</p>
 <p><b>B1</b> 6,3*50mm x5</p>		 <p><b>R4</b> N°4 x1</p>



# 6



# AUSTIN 2



# AUSTIN 2

