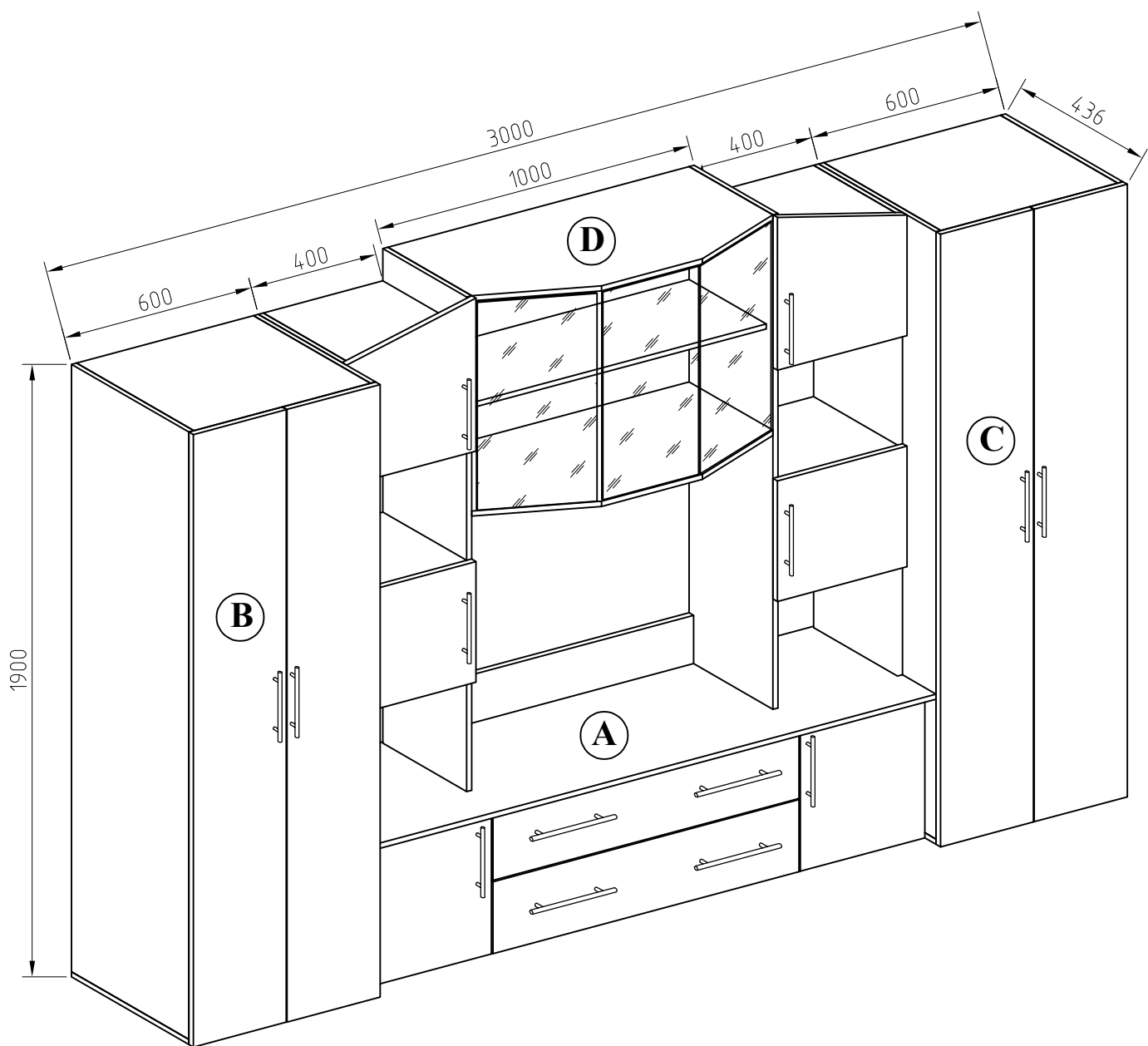
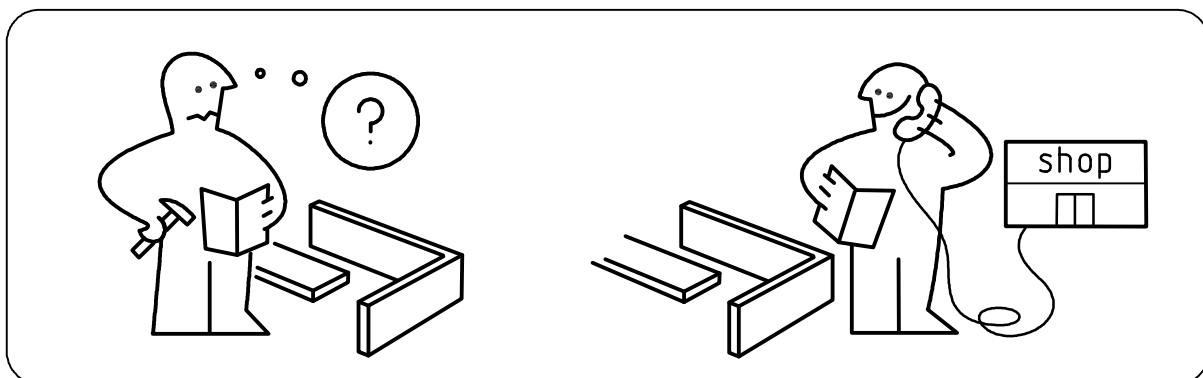
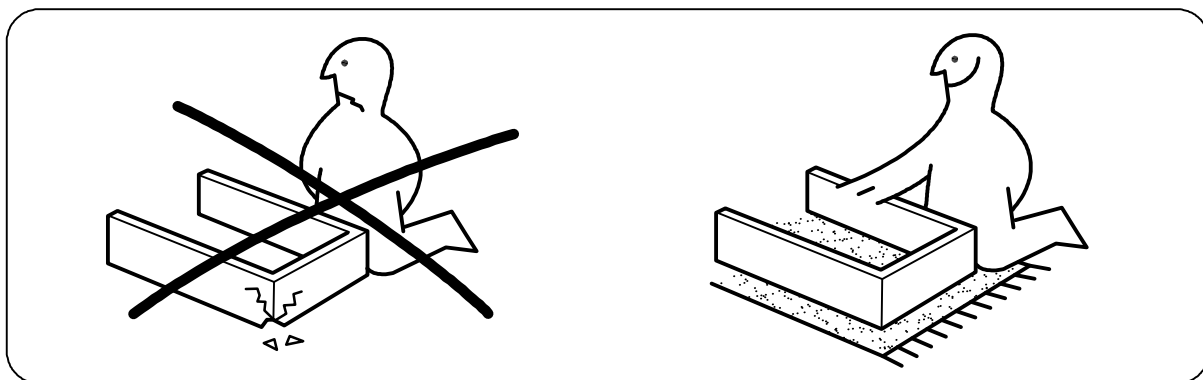
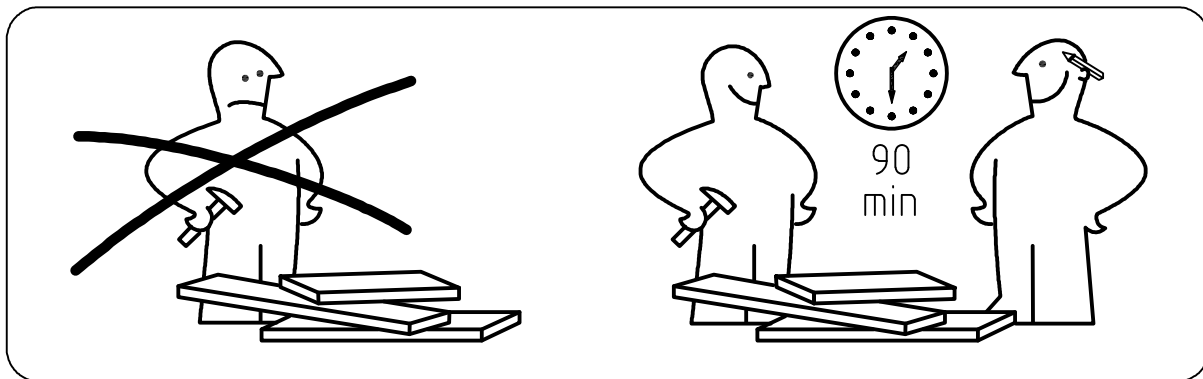
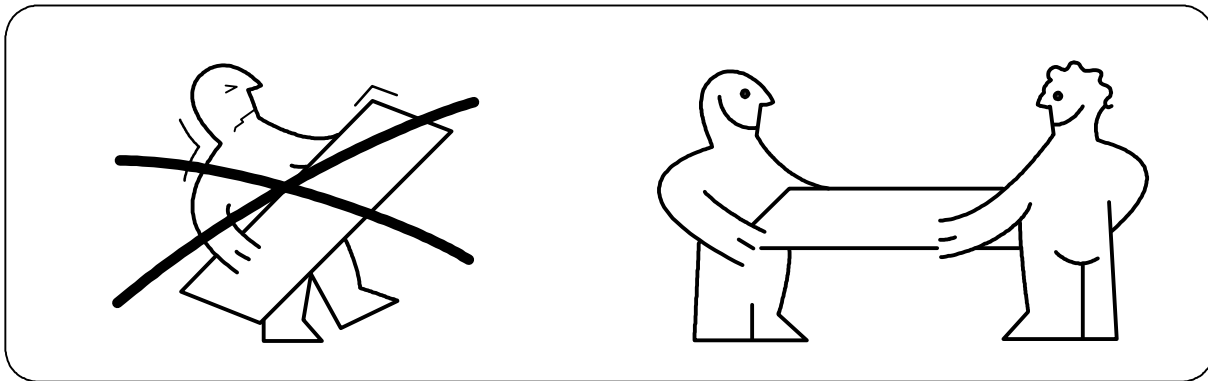
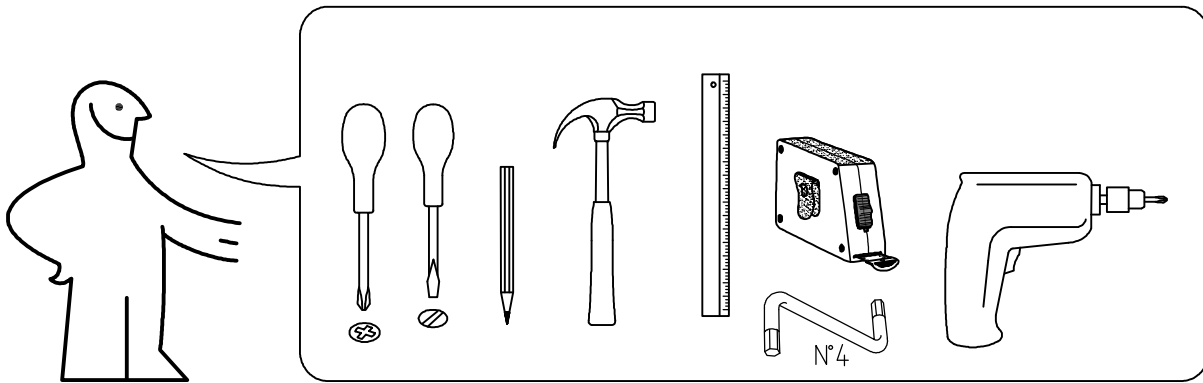


FABIANA





A

No	a*b	x	N°→...
1R	434x364	x1	
1L	434x364	x1	
2R	434x364	x1	
2L	434x364	x1	
3	1800x420	x1	
4	1800x364	x1	
5R	446x404	x1	
5L	446x404	x1	
6	350x140	x4	
7	910x140	x2	
8	221x982	x2	
9	1796x462	x1	
10	343x919	x2	

C

No	a*b	x	N°→...
1R	1884x420	x1	
1L	1884x420	x1	
2	568x420	x2	
3	568x400	x2	
4	568x150	x1	
5	600x420	x1	
6L	1894x296	x1	
6R	1894x296	x1	
7	1894x596	x1	

D

No	a*b	x	N°→...
1R	1434x300	x1	
1L	1434x300	x1	
2R	1534x300	x1	
2L	1534x300	x1	
3	968x406	x2	
4	968x276	x1	
5	968x150	x1	
6	384x300	x8	
7R+L	368x410	x2	
8R+L	468x410	x2	
9	1430x406	x2	
10	340x984	x1	
11	334x984	x1	
12	783x984	x1	
13	648x333	x2	
14	648x324	x1	

B

No	a*b	x	N°→...
1R	1884x420	x1	
1L	1884x420	x1	
2	568x420	x2	
3	568x150	x1	
4	600x420	x1	
5R	1894x296	x1	
5L	1894x296	x1	
6	1894x596	x1	



MM

150

140

130

120

110

100

90

80

70

60

50

40

30

20

10

0



A1 8*30mm x20



C1 5*30mm x16



D1 16mm x16



D x16



B1 6,3*50mm x12



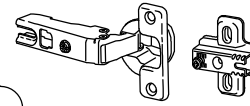
M1 x2



E1 3*13mm x20



E3 3.5*16mm x8



L1 x4



G8 M 4*35mm x12



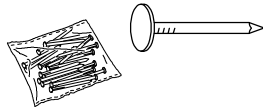
I11 x6



F1 6,3*13mm x8



B x12



Q1 1.4*25MM 0.02kg



K5 x6



H2 x8

B*Fabiana*

MM

150

140

130

120

110

100

90

80

70

60

50

40

30

20

10

0



A1

8*30mm

x16



B1

6,3*50mm

x22



B

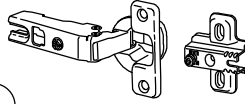
x22



E3

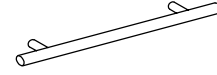
3.5*16mm

x20



L1

x8



I11

x2



G8

M 4*35mm

x4



F1

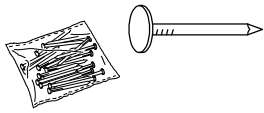
6,3*13mm

x16



K5

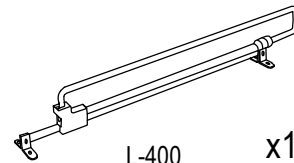
x4



Q1

1.4*25MM

0.02kg



N5

L-400

x1

C

A1

8*30mm

x16



B1

6,3*50mm

x22



B

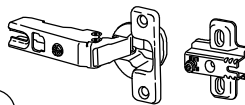
x22



E3

3.5*16mm

x16



L1

x8



I11

x2



G8

M 4*35mm

x4



F1

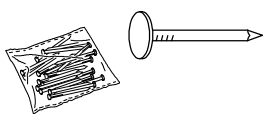
6,3*13mm

x16



K5

x4

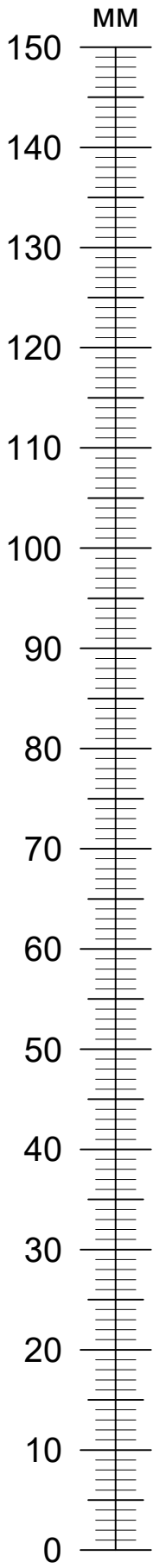





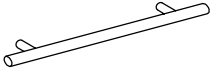

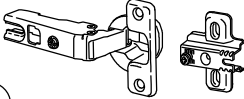


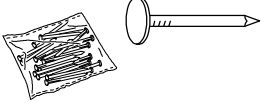
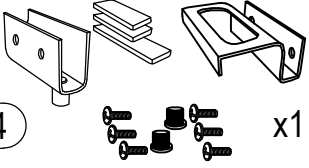
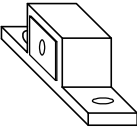

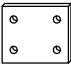
Q1

1.4*25MM

0.02kg

D



 <p>(A1) 8*30mm x44</p>	 <p>(B1) 6,3*50mm x48</p>	 <p>(B) x52</p>
 <p>(I11) x4</p>	 <p>(G8) M 4*35mm x8</p>	 <p>(L1) x8</p>
 <p>(E3) 3.5*16mm x36</p>	 <p>(F1) 6,3*13mm x16</p>	 <p>(Q1) 1.4*25MM 0.03kg</p>
 <p>(V4) x1</p>	 <p>(M5) x1</p>	 <p>(J6) x8</p>
 <p>(O3) 35x30 x2</p>		

