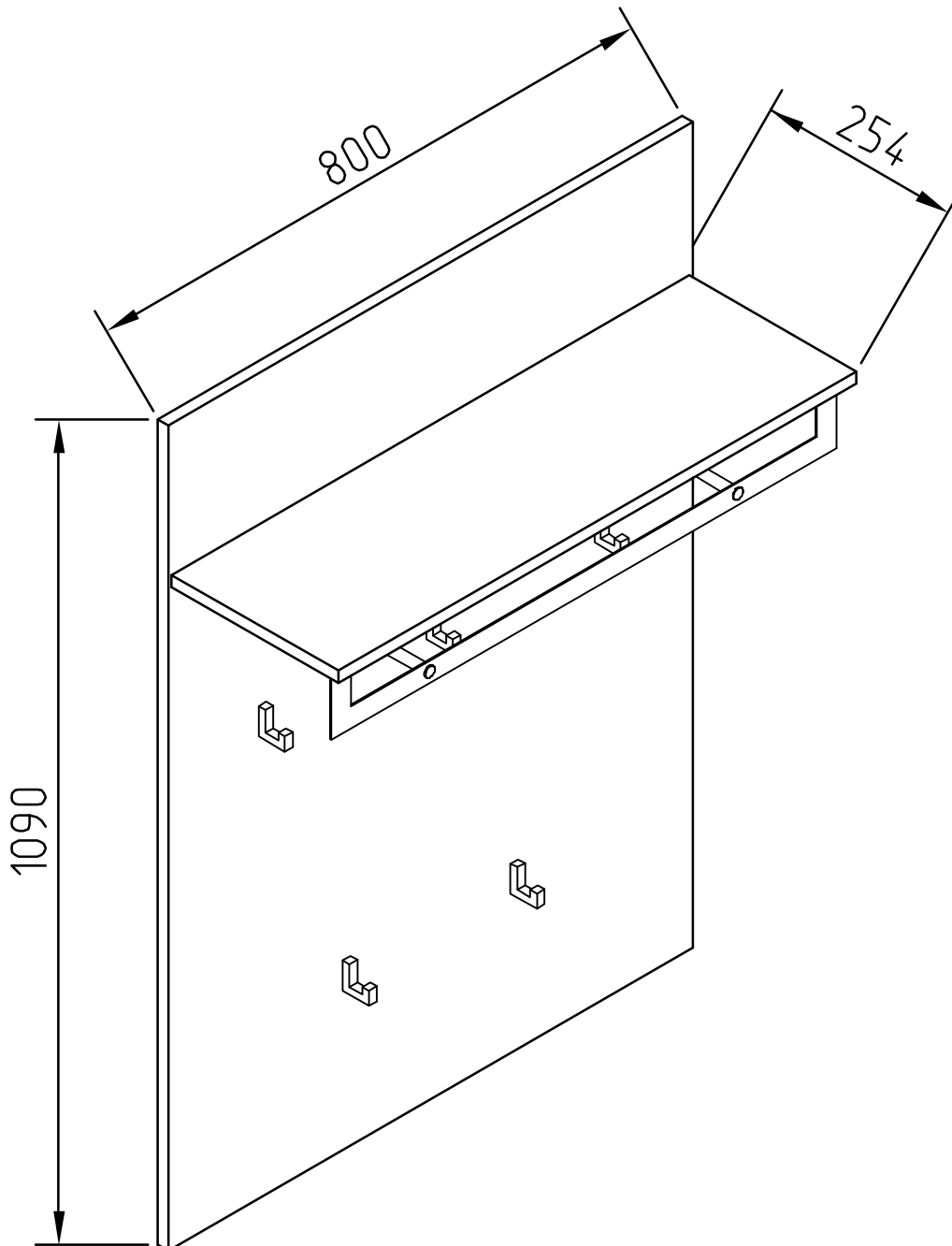
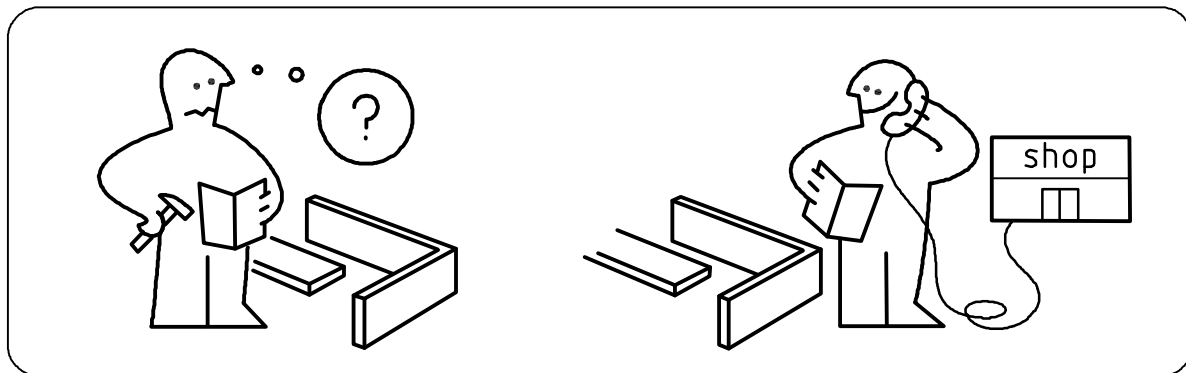
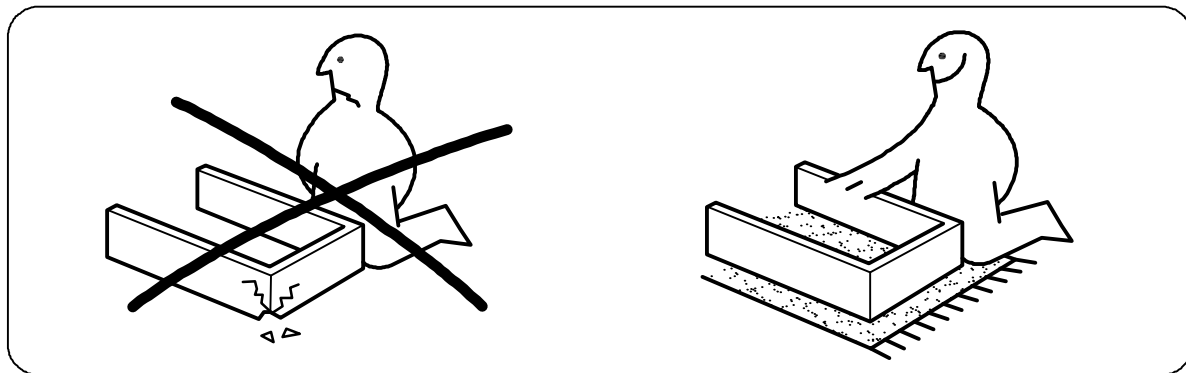
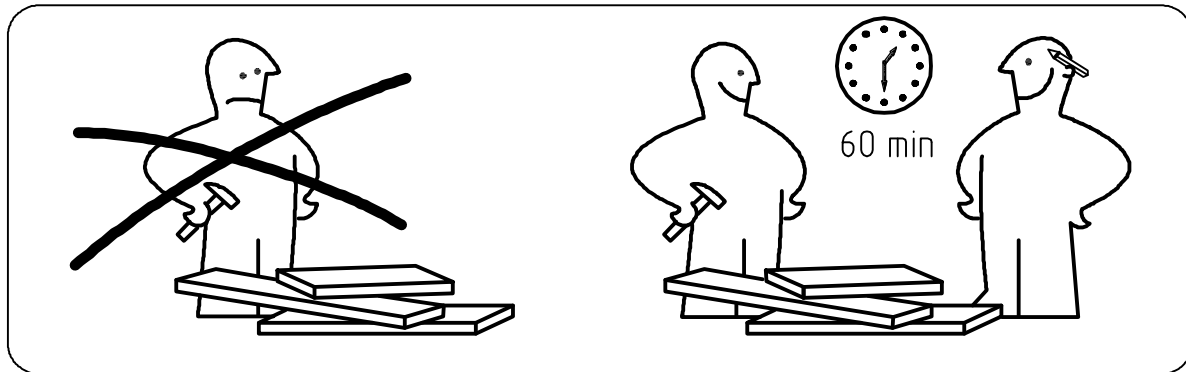
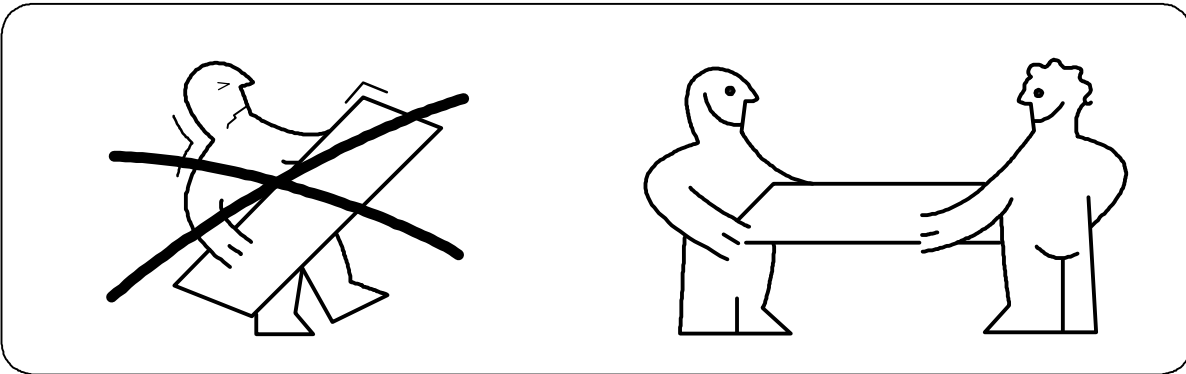
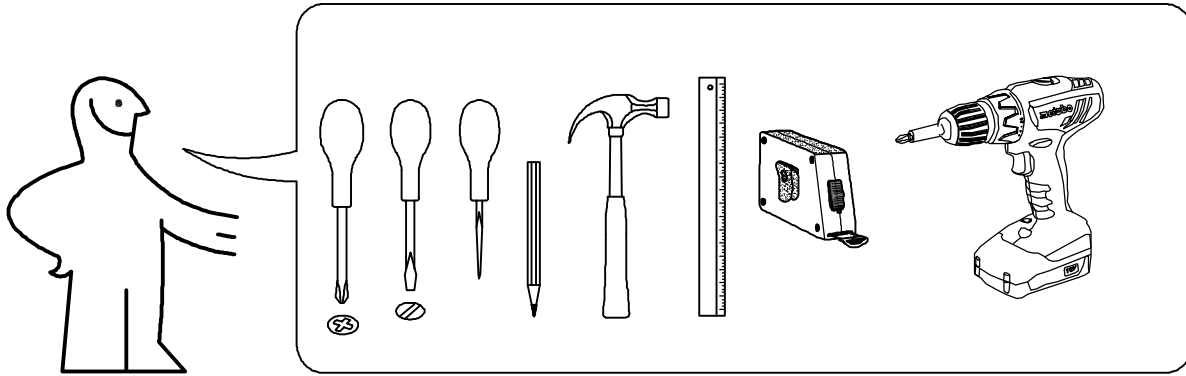
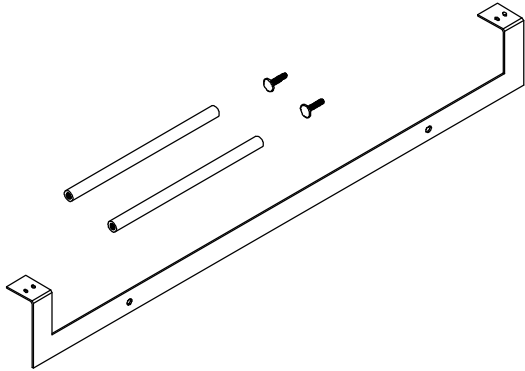


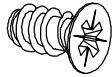
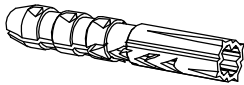
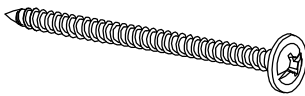
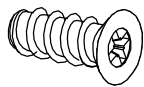

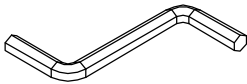

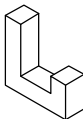




Scarlet

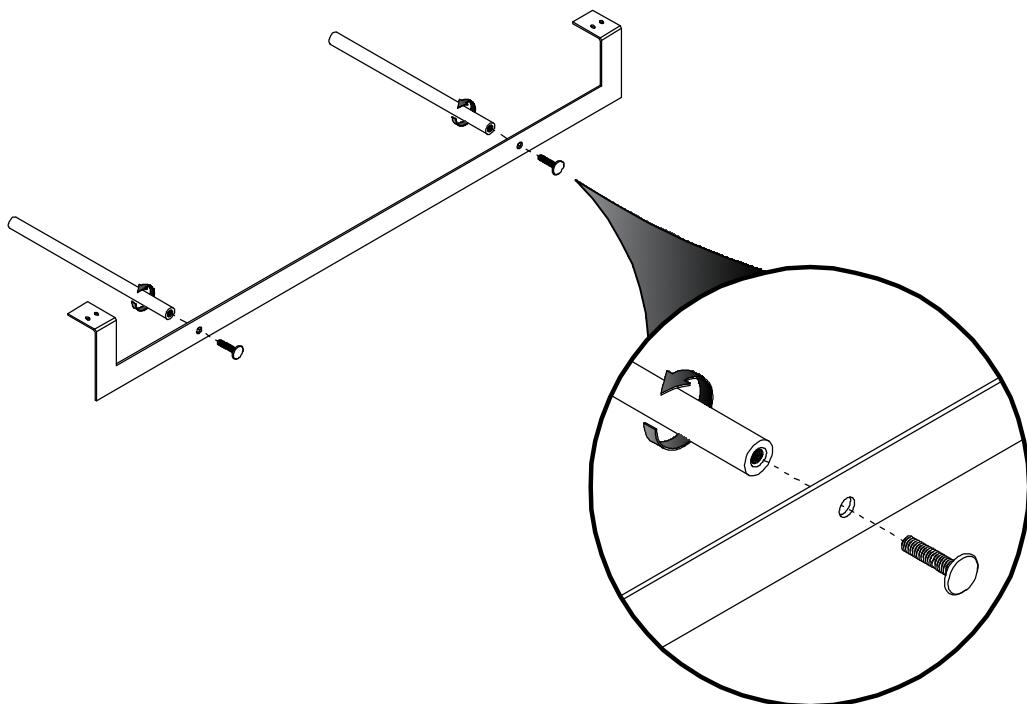
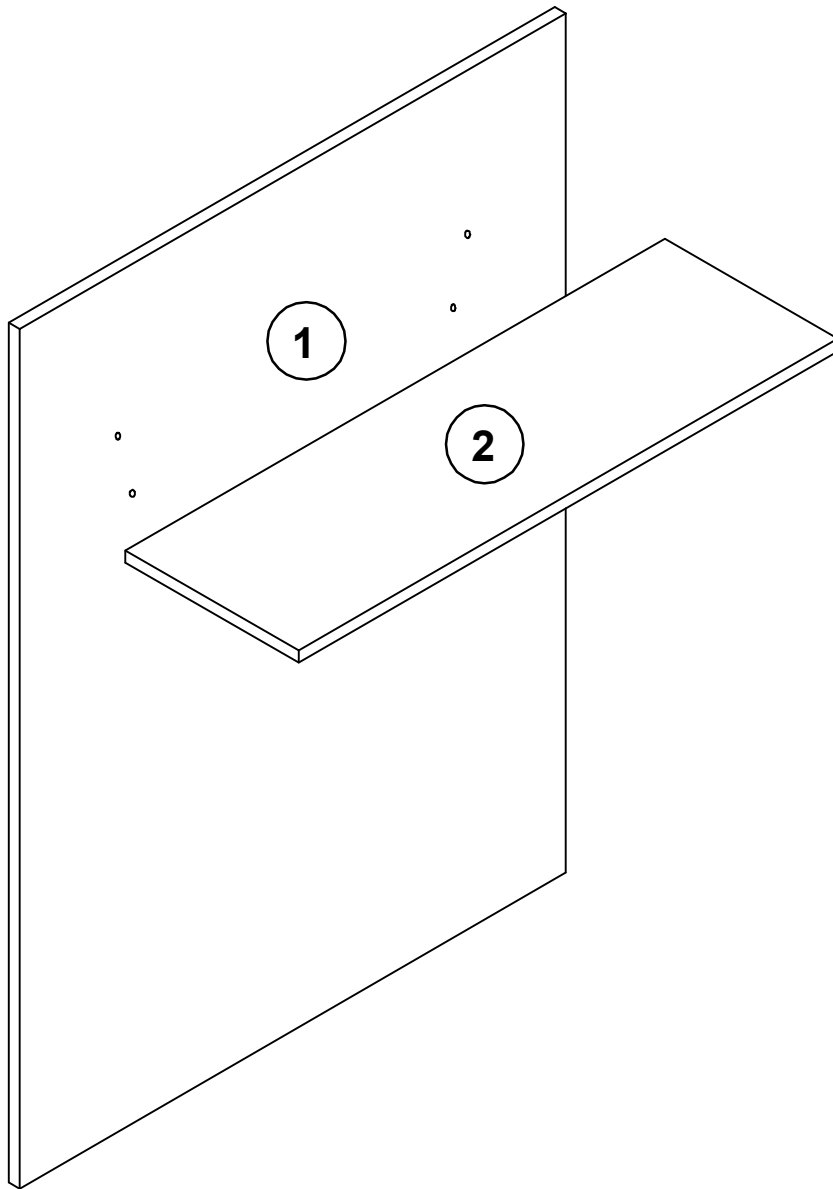
HANGER


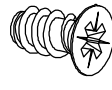
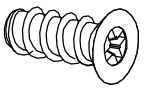


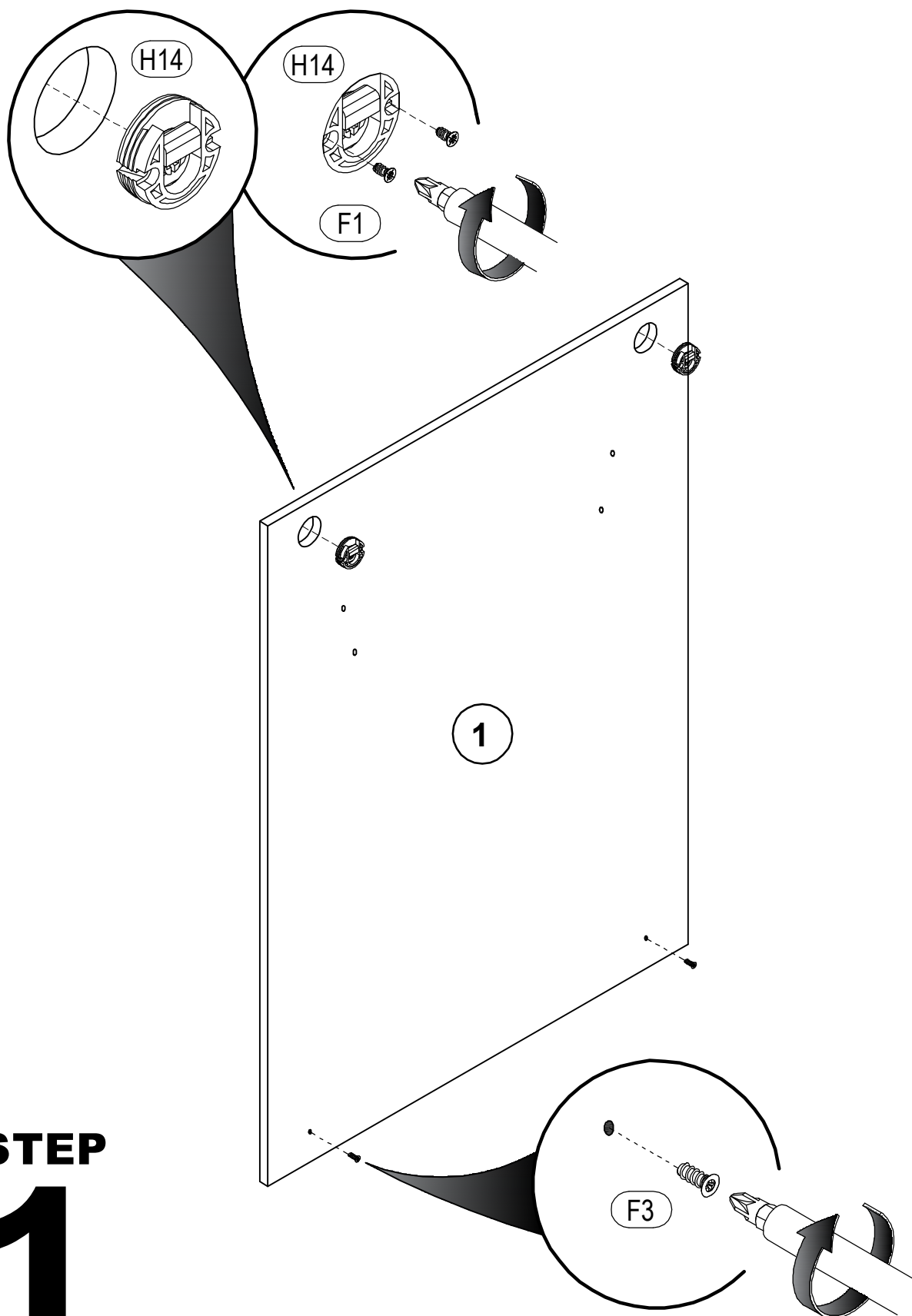


			x1
 (E-2) 4,2*16mm x4	 (H14) x2	 (F1) 5*9mm x4	
 (H5) 8*50mm x2	 (E22) 4,2*65mm x2	 (F3) 6,3*13mm x2	
 (B1) x2	 (R4) №4 x1	 (B) Ø12mm x2	
 (X1) x5	 (E5) 3,5x16 x10	 (G12) M6*25mm x2	

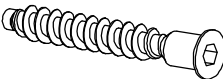
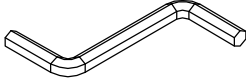

No	a*b	x
1	800x1090	1
2	790x254	1

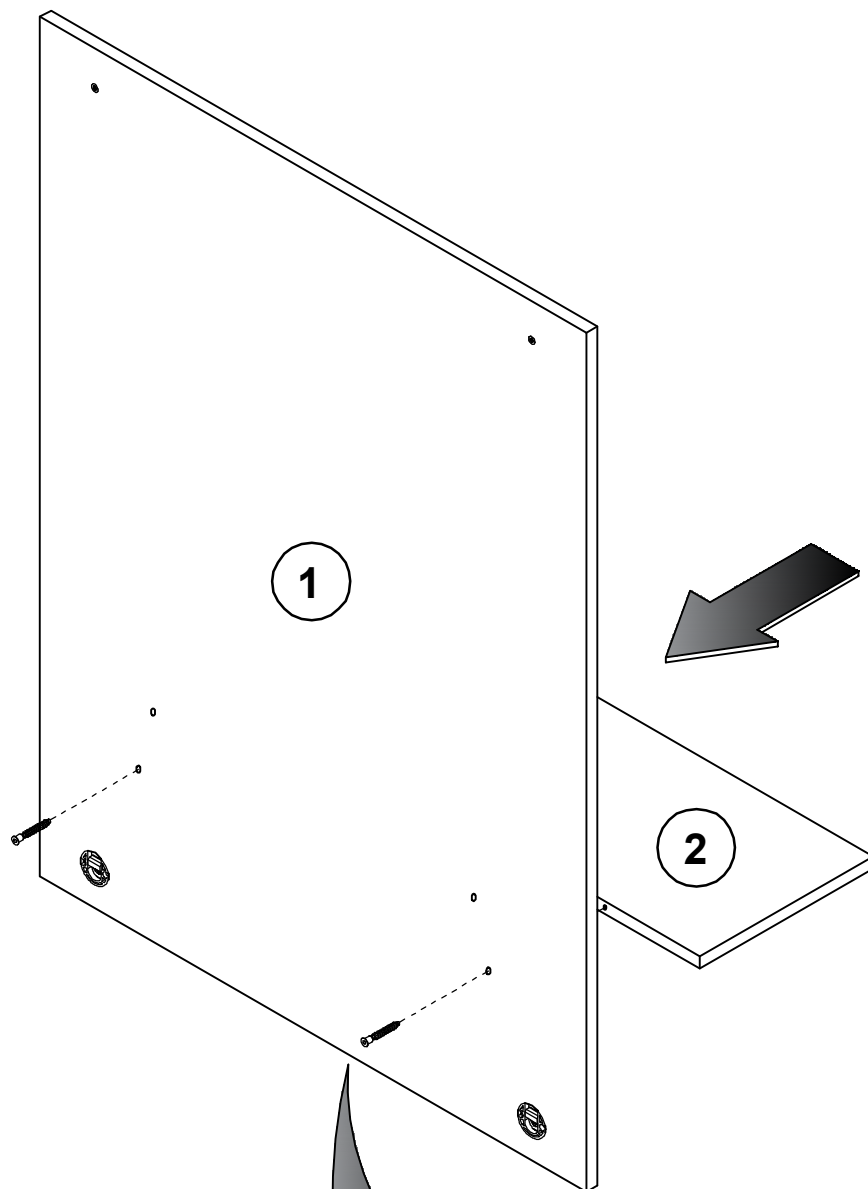


 <p>H14 x2</p>	 <p>F1 5*9mm x4</p>	 <p>F3 6,3*13mm x2</p>
---	--	---

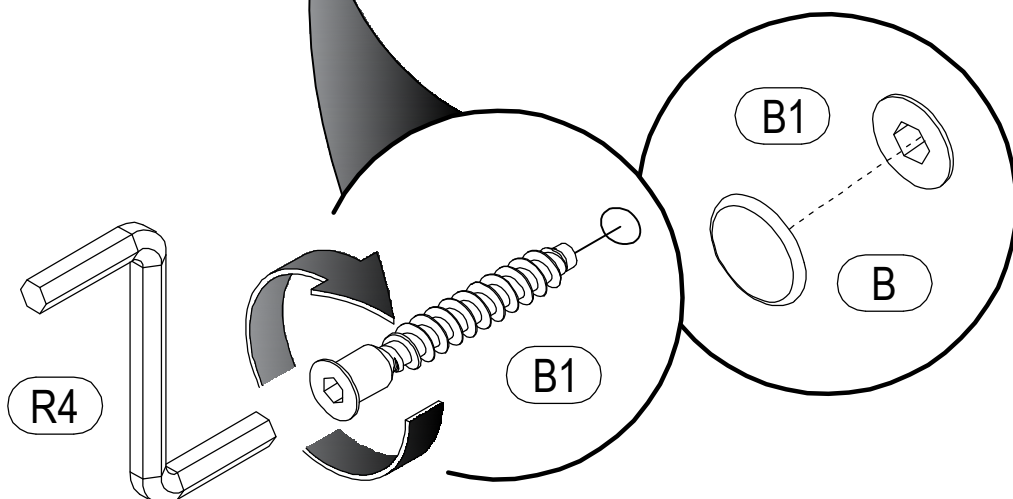


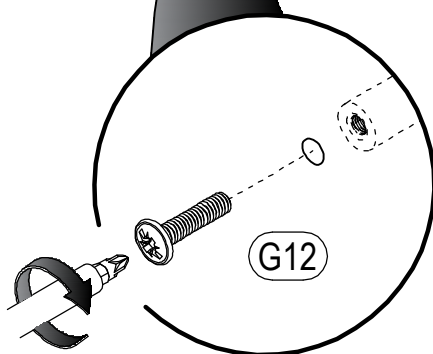
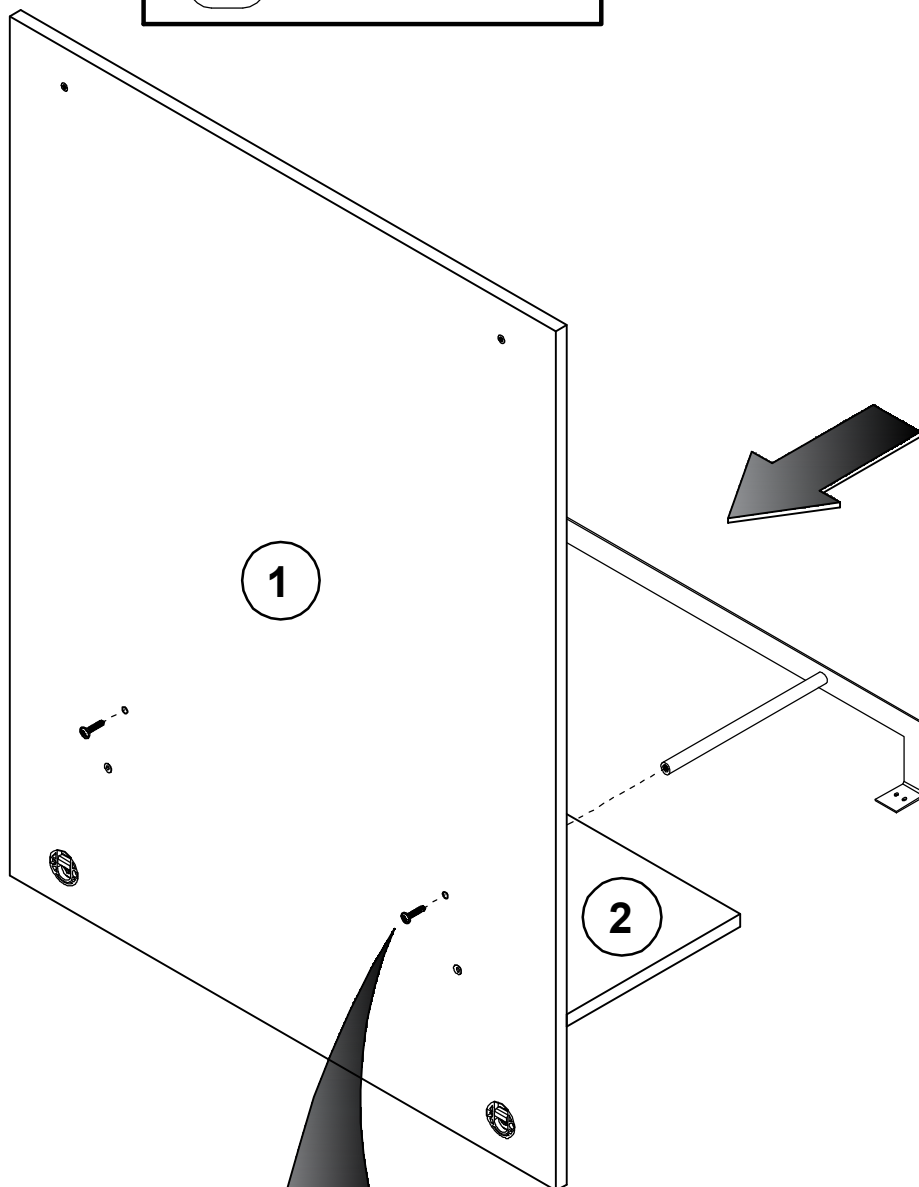
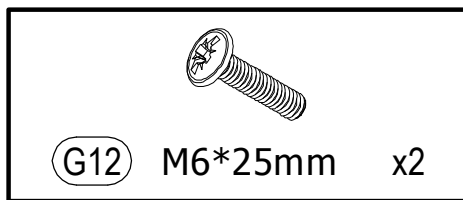
STEP
1

 B1 x2	 R4 No4 x1	 B Ø12mm x2
--	--	---

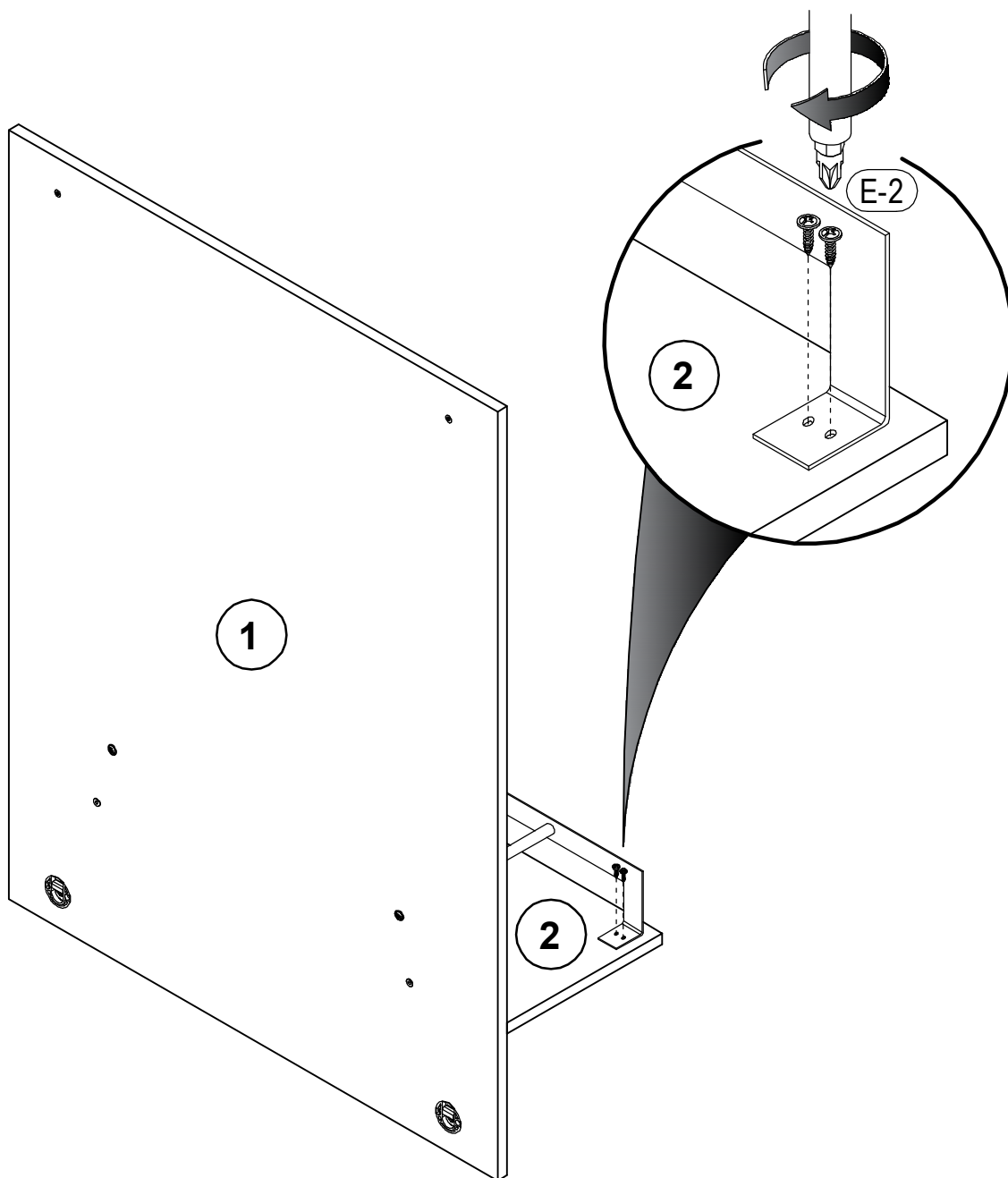
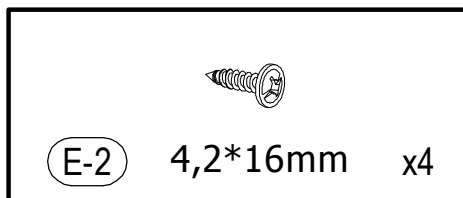


STEP
2



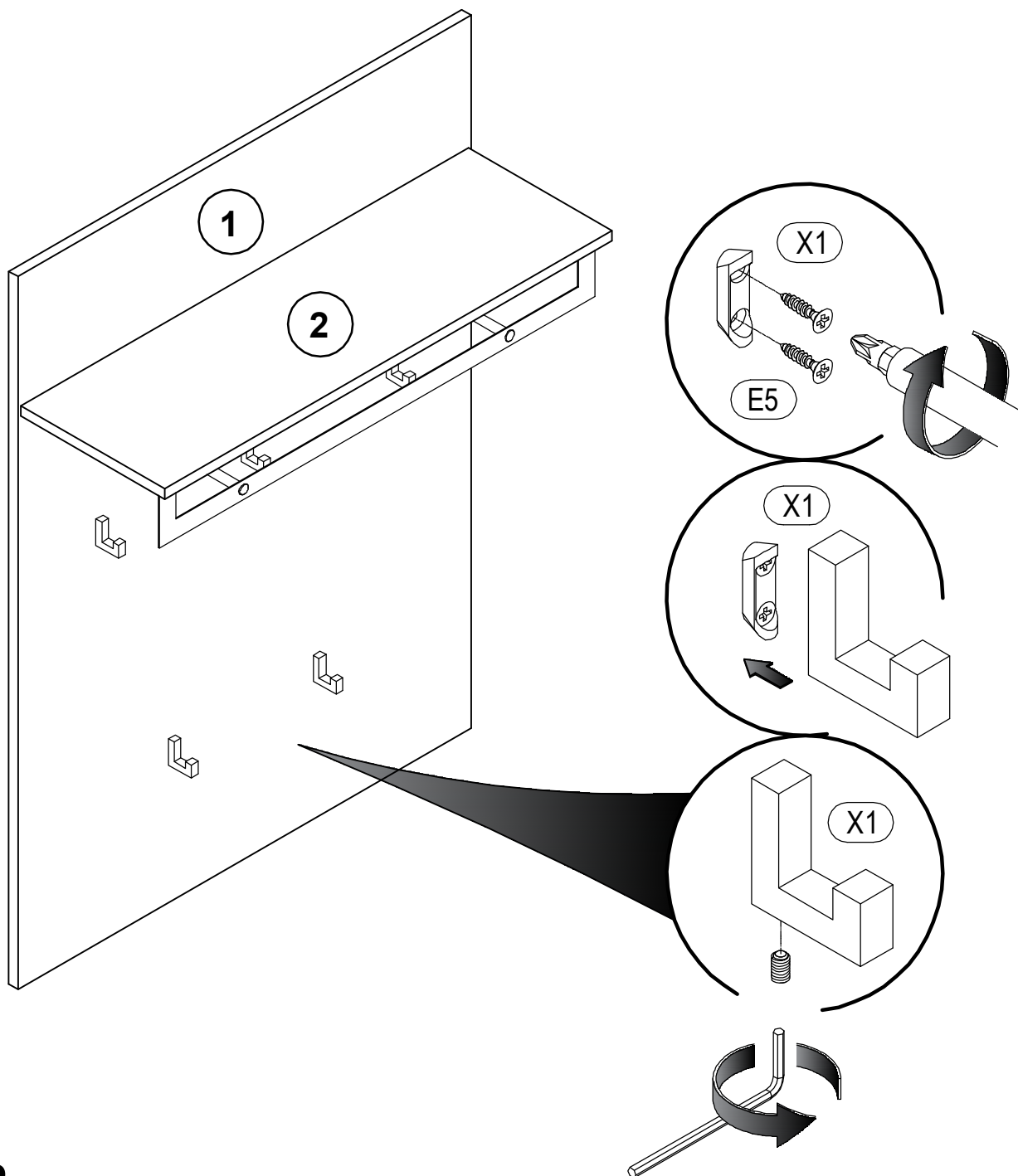


STEP
3

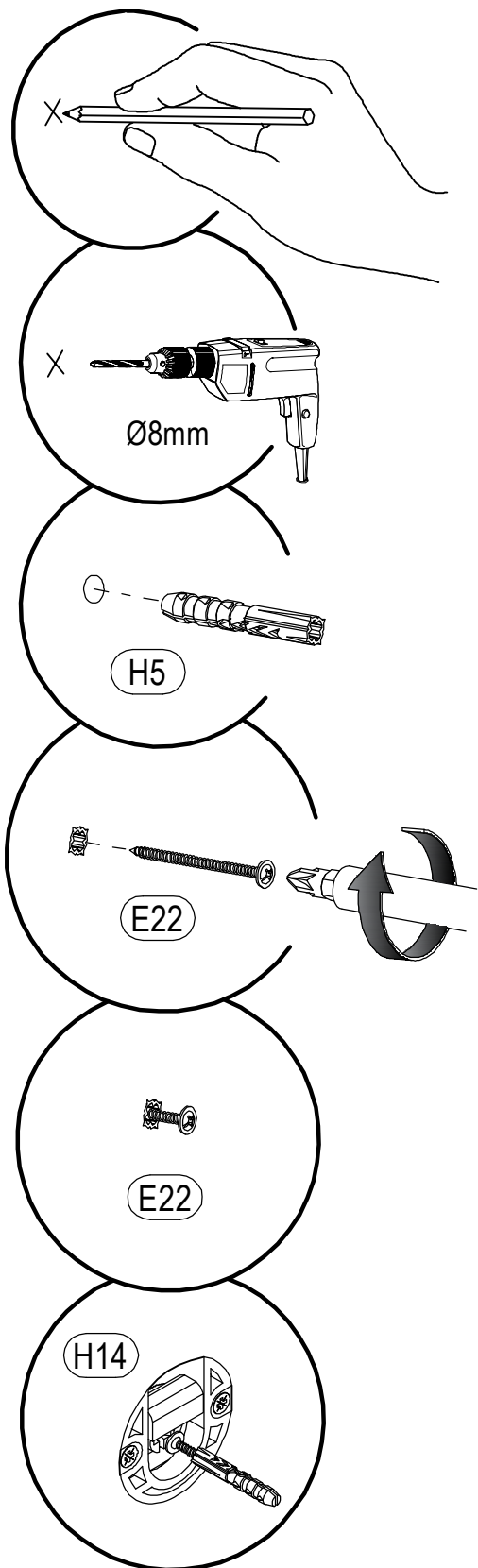
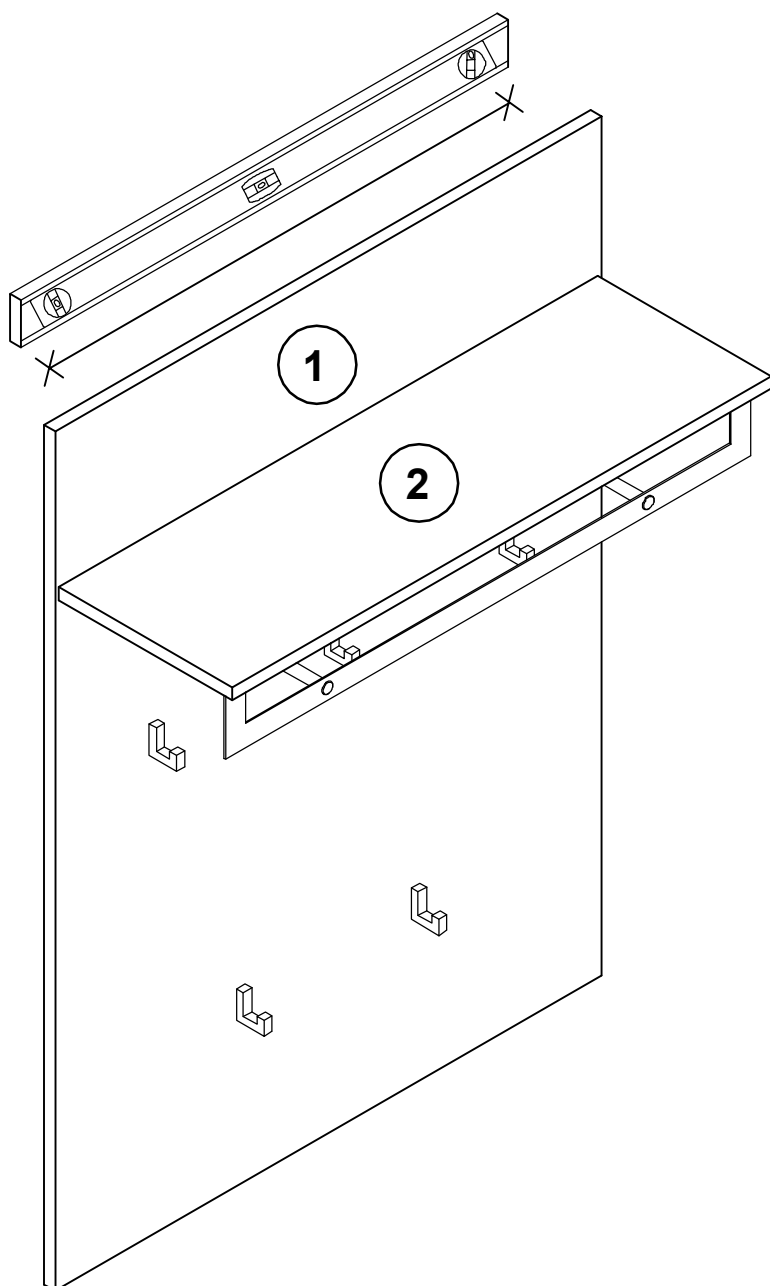
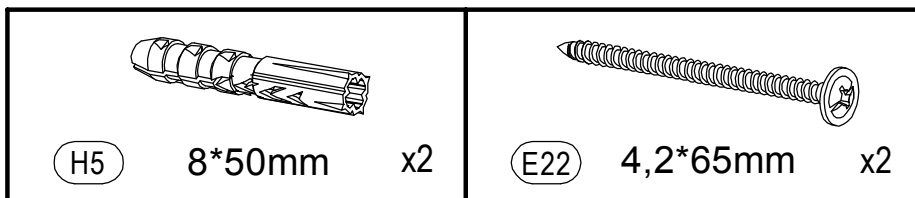


STEP
4

X1		x5	E5		3,5x16	x10
----	---	----	----	--	--------	-----



STEP
5



STEP
6

