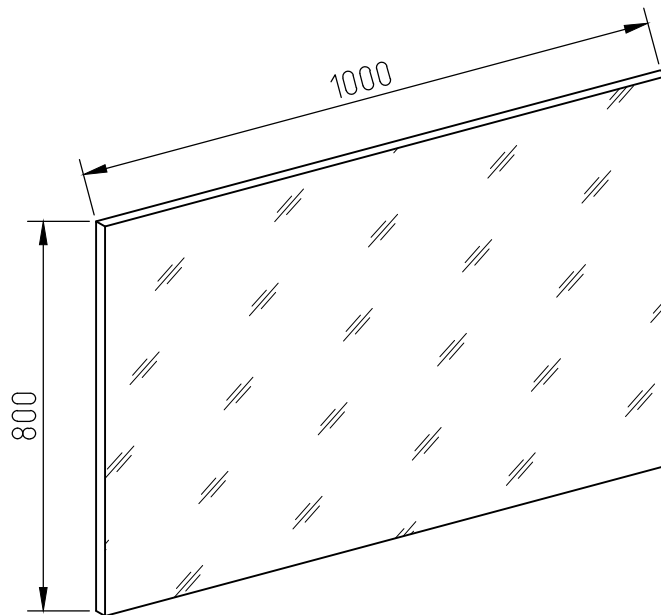


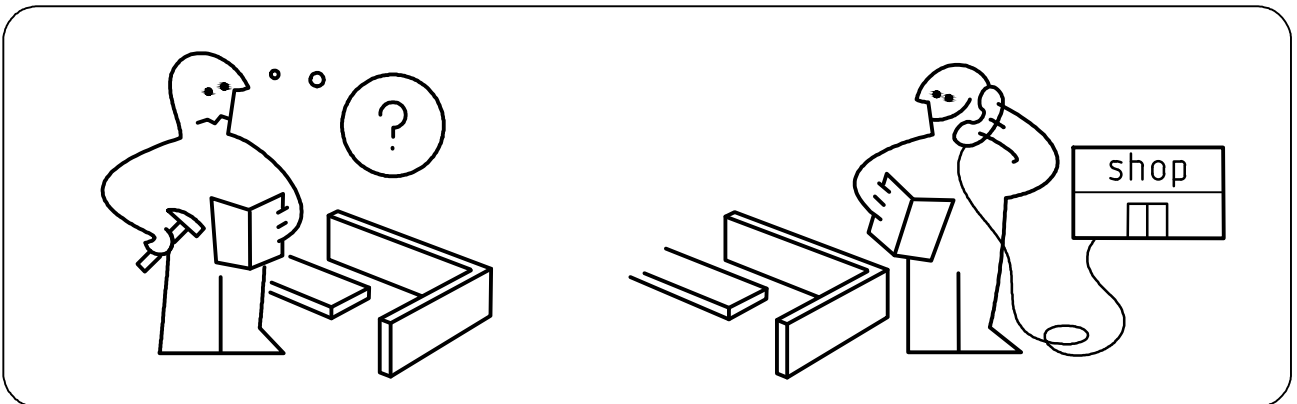
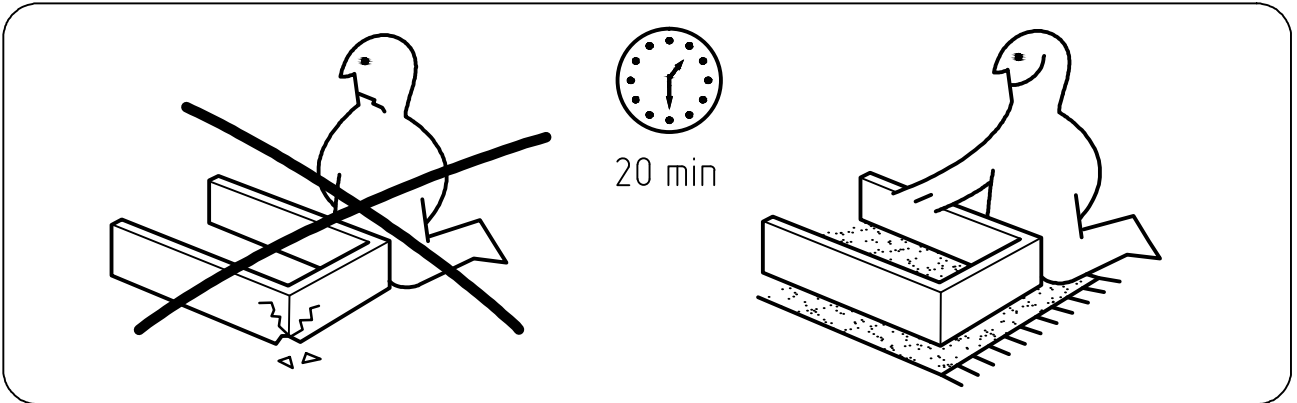
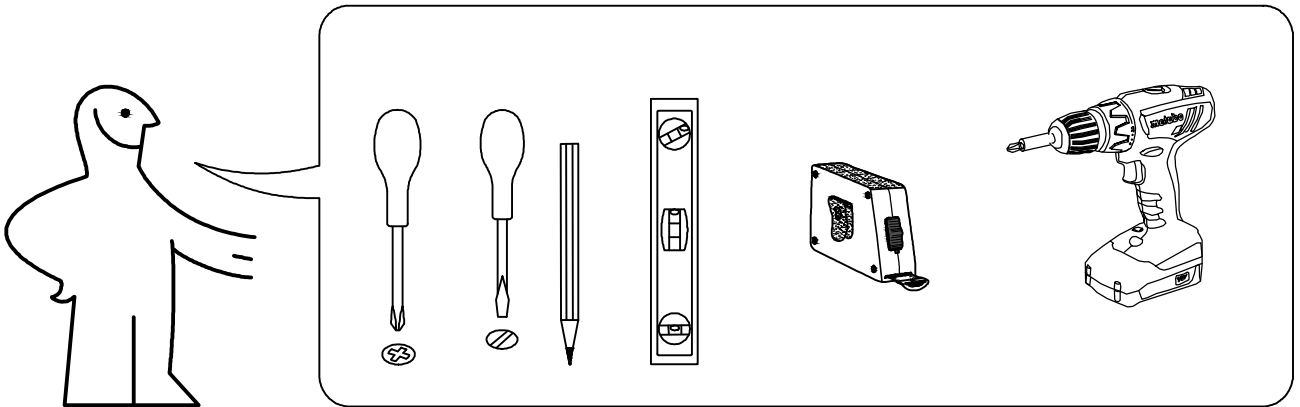
# BASYA NEW

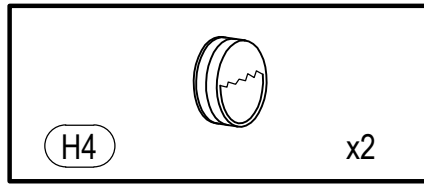
---

## MIRROR



# BASYA NEW





	a*b	x	N°→...
1	1000x800	x1	1

