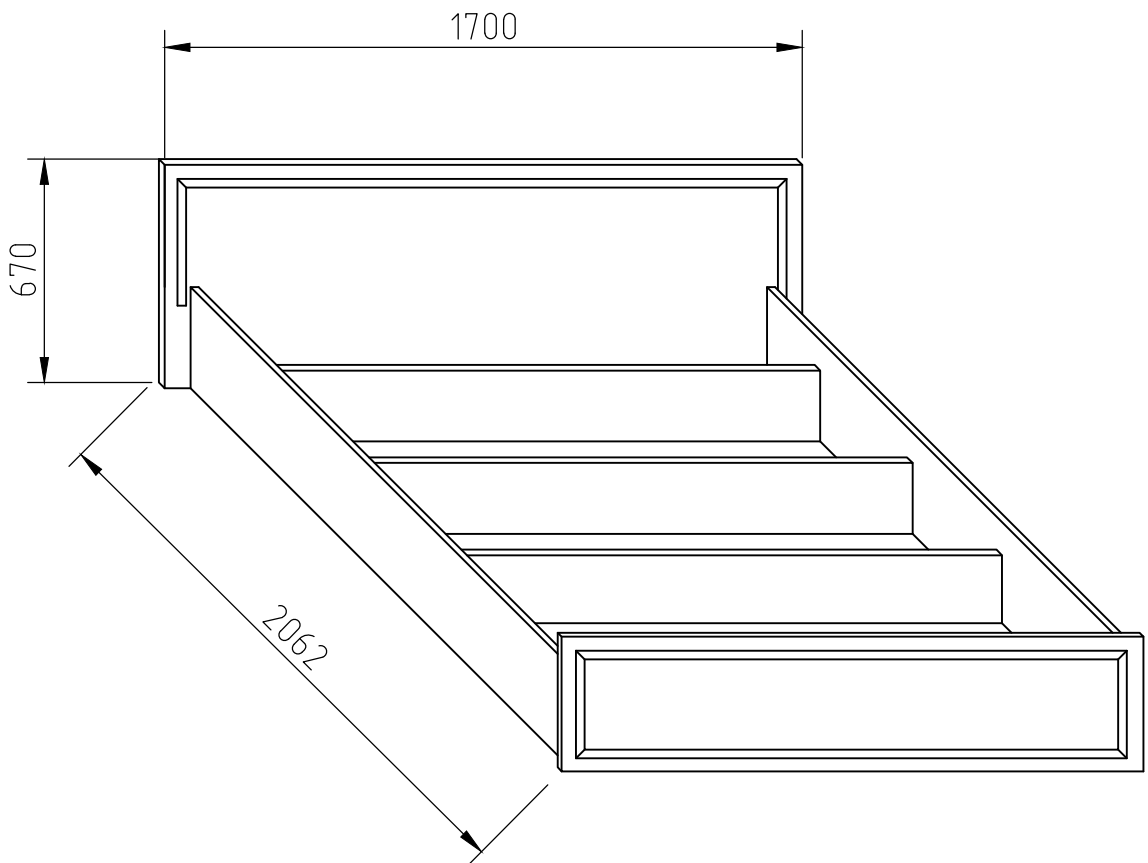
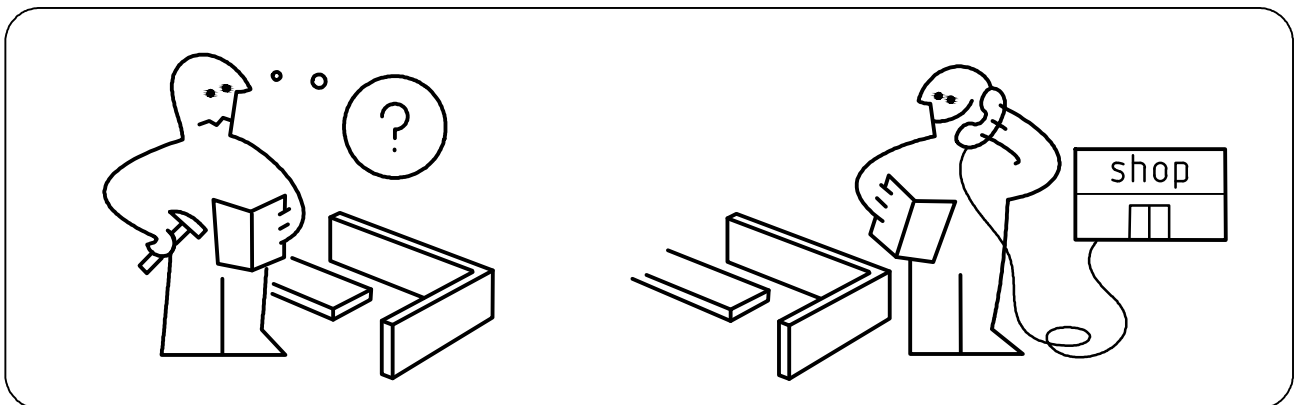
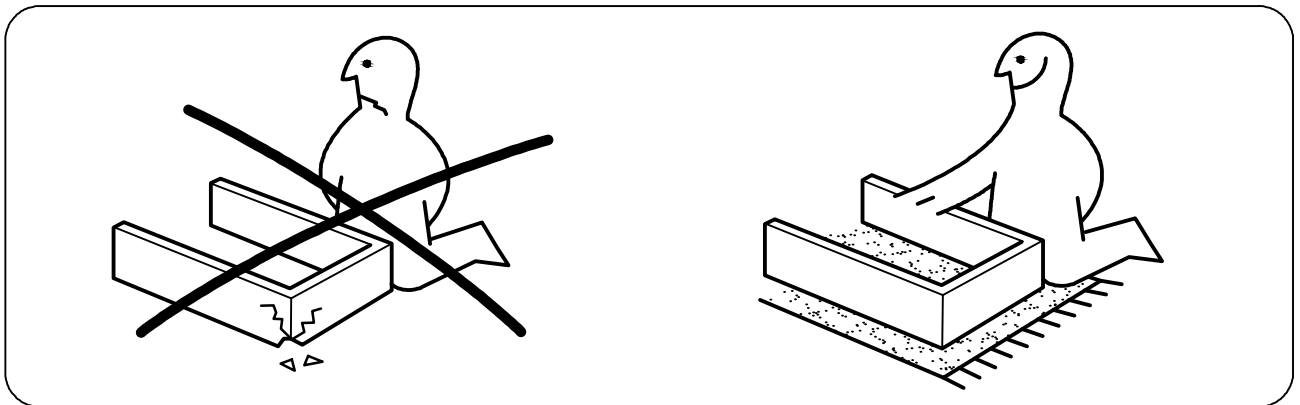
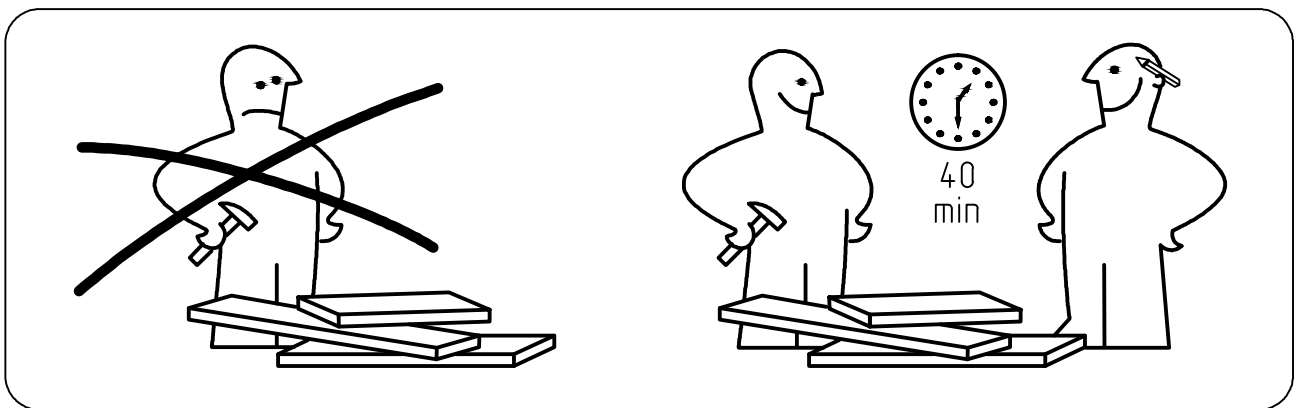
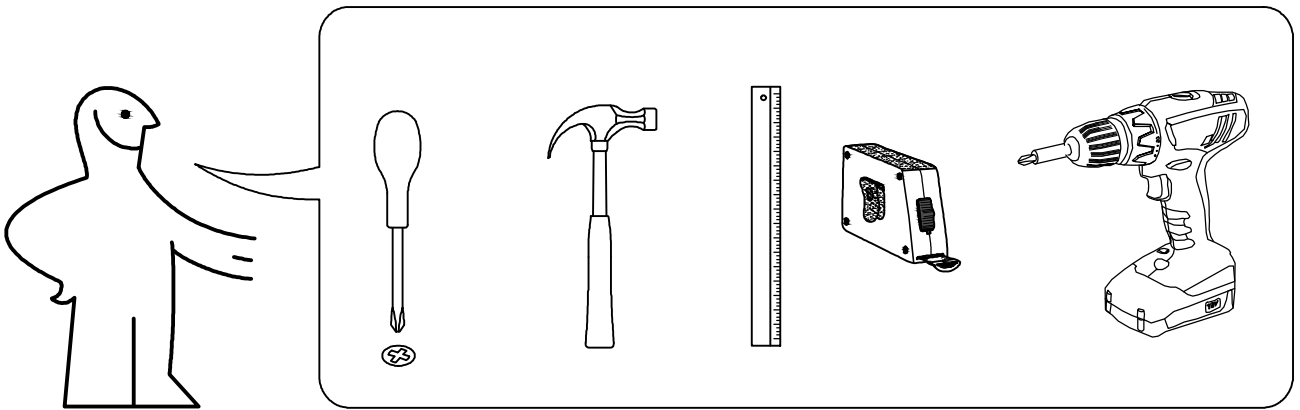


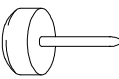
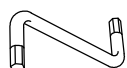
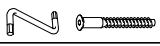


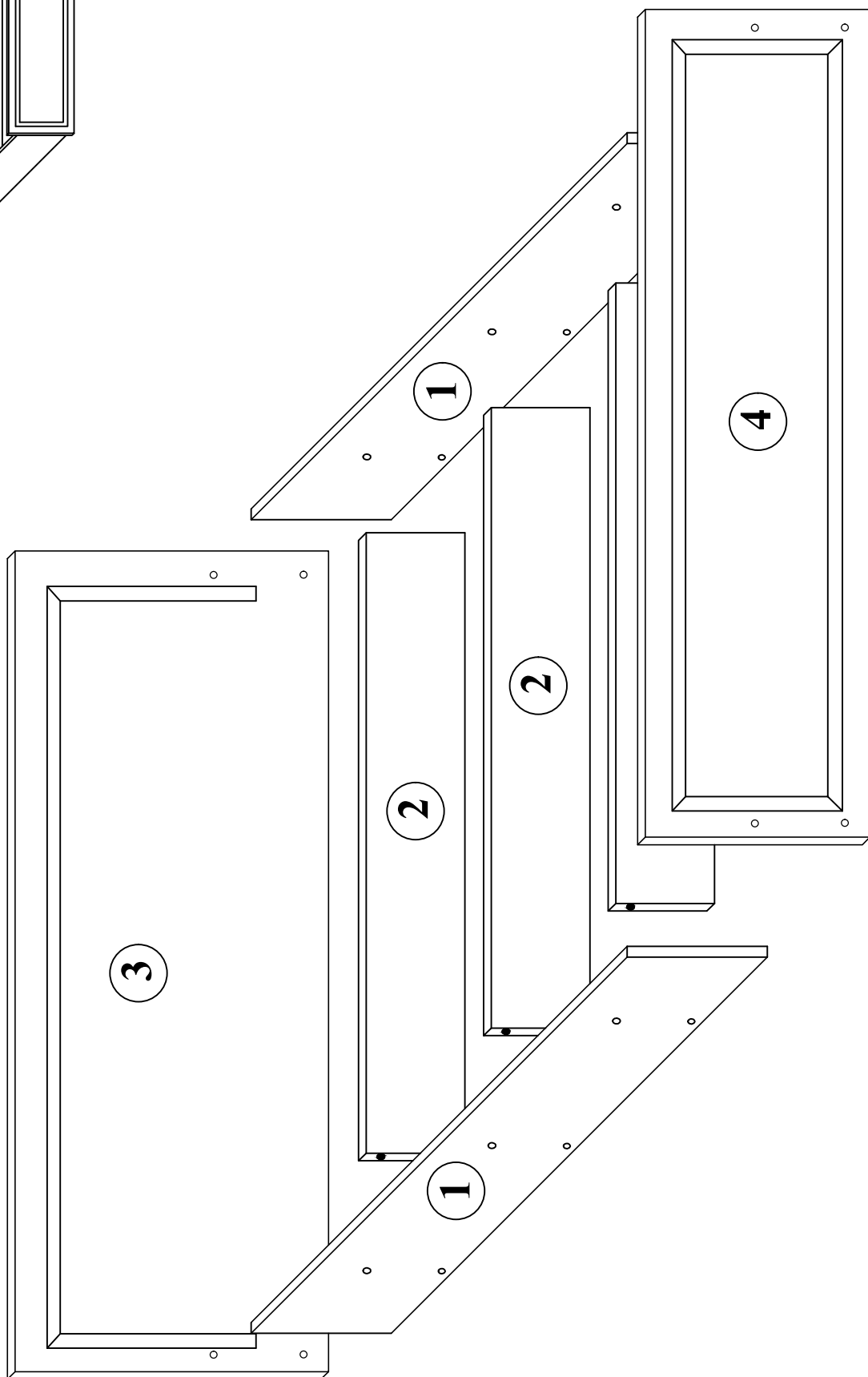
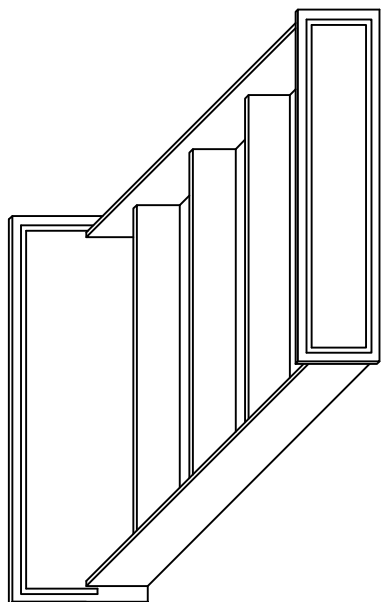
# KIM


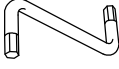
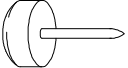




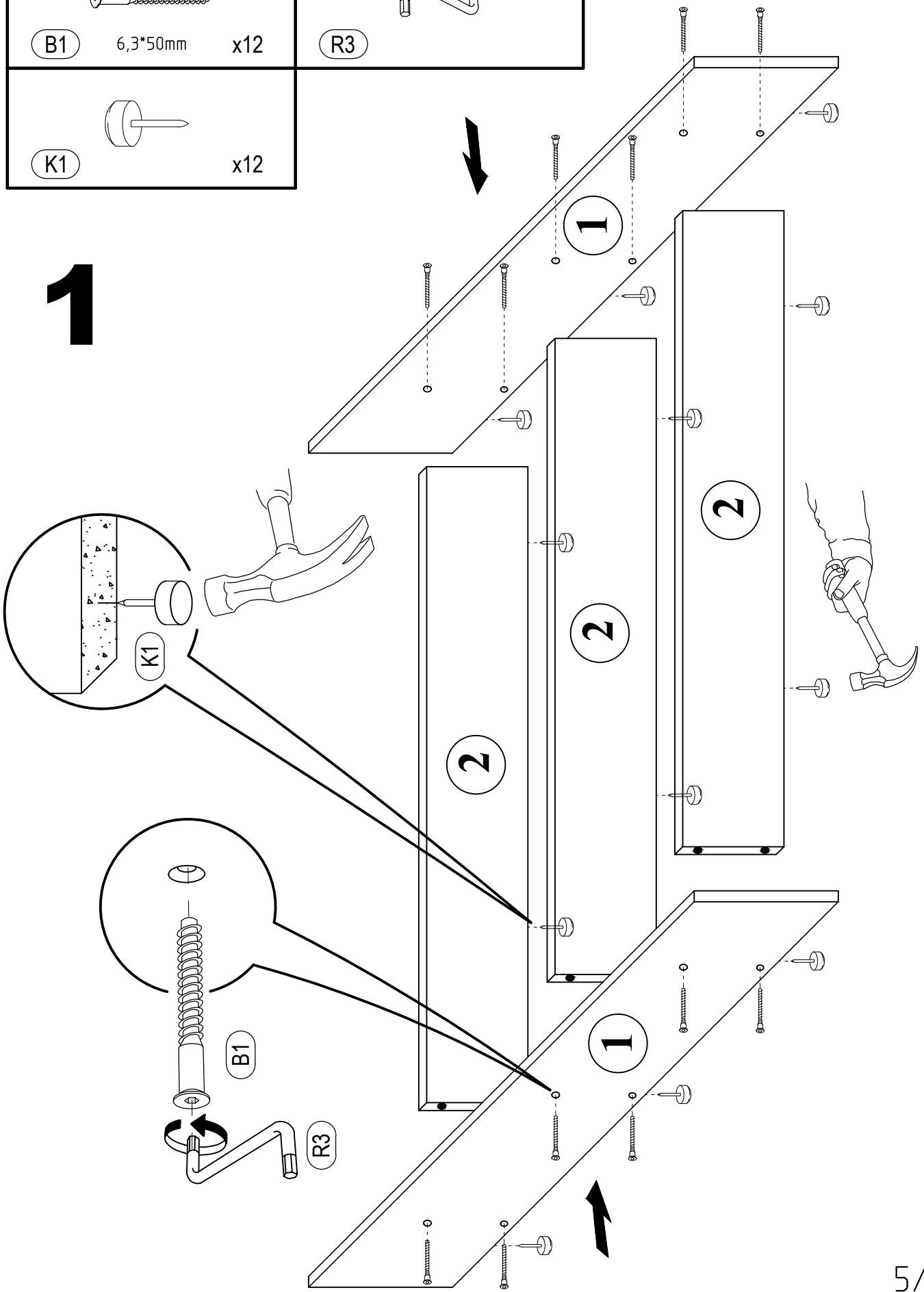
 <b>B</b> x20	 <b>B1</b> 6,3*50mm x20	 <b>K1</b> x16
 <b>R3</b> x1		


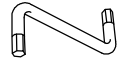
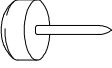
	a*b	x	N°→...
1	2030x300	x2	2
2	210x1610	x3	1/2
3	670x1700	x1	1
4	480x1700	x1	1
		x1	2



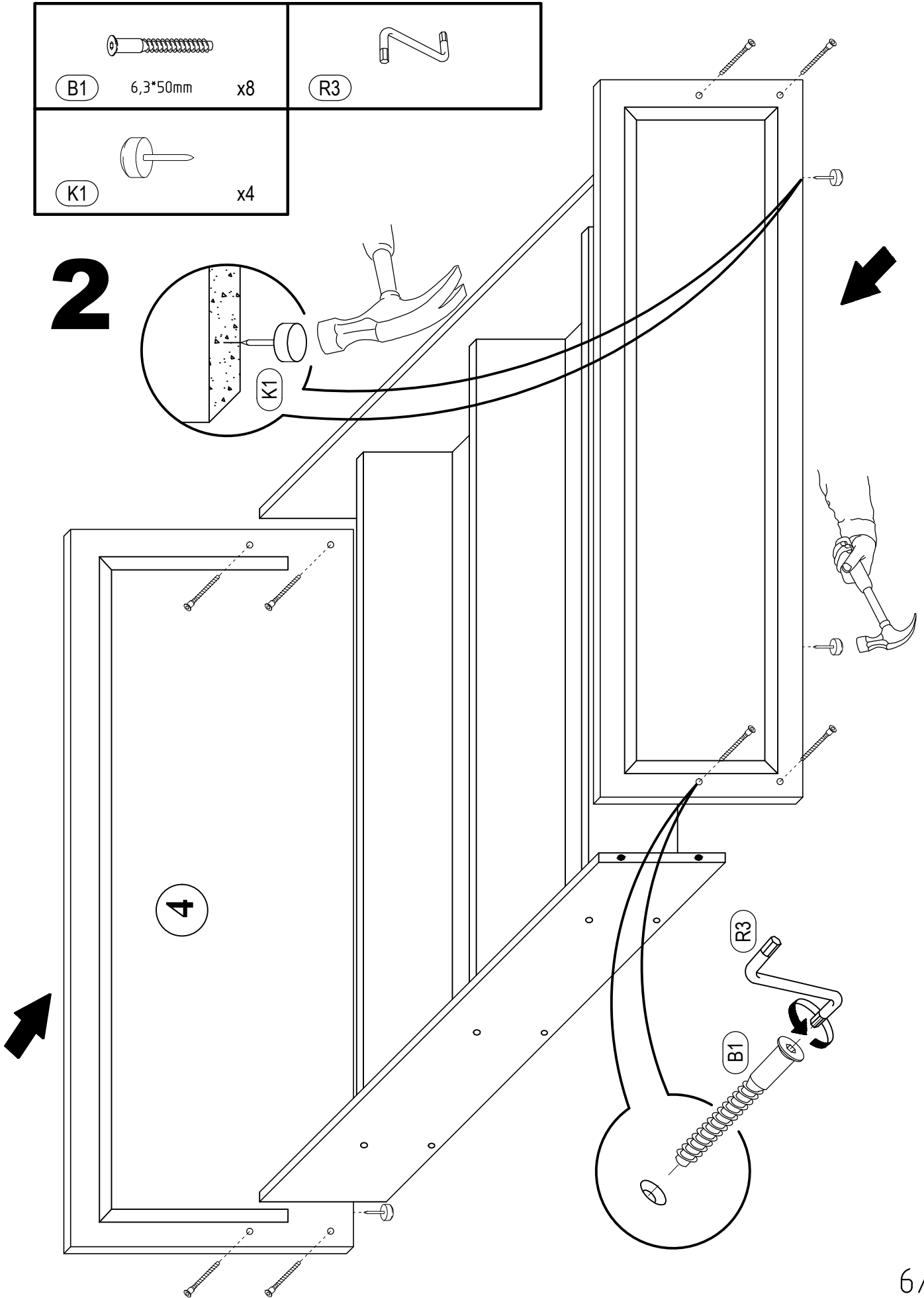
 B1 6,3*50mm x12	 R3
 K1 x12	

1



 <b>B1</b> 6,3*50mm x8	 <b>R3</b>
 <b>K1</b> x4	

**2**



**4**

1

