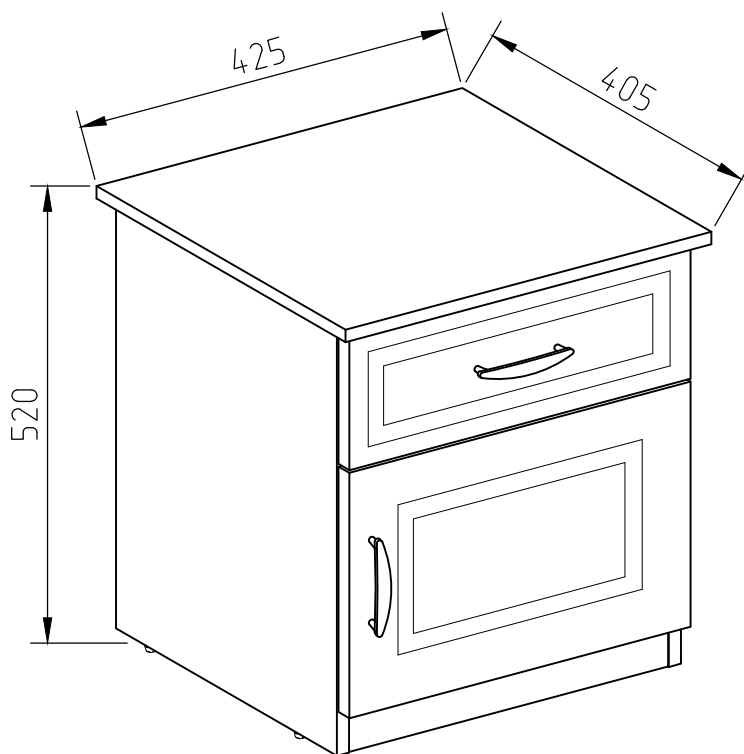
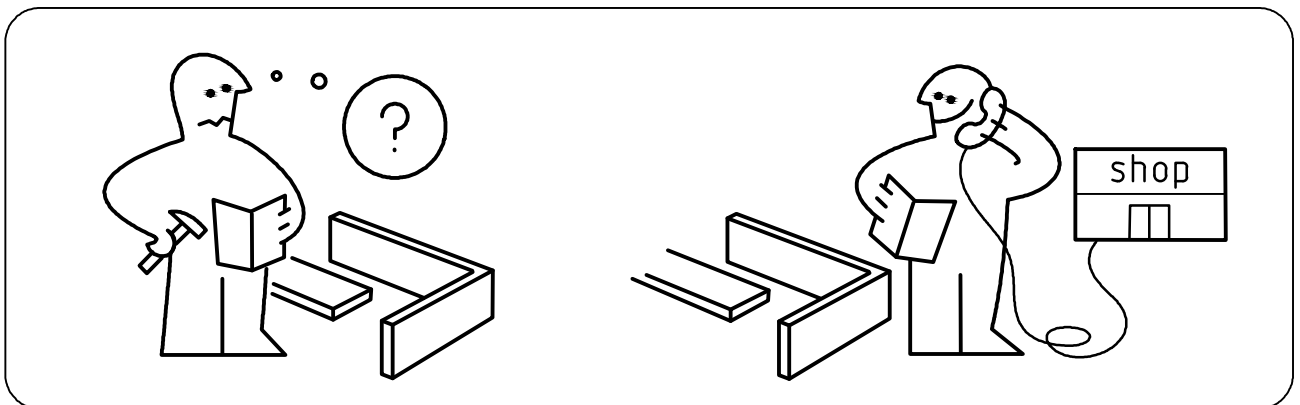
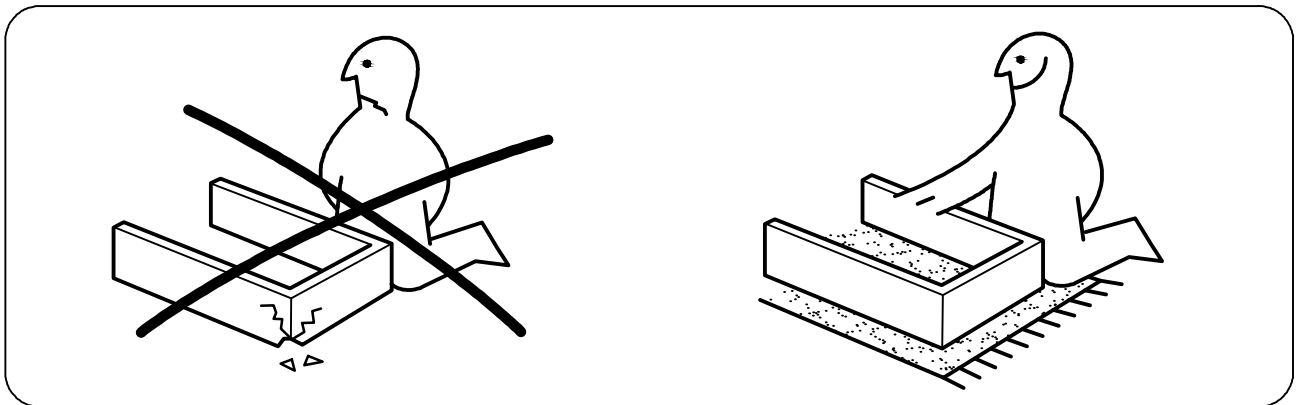
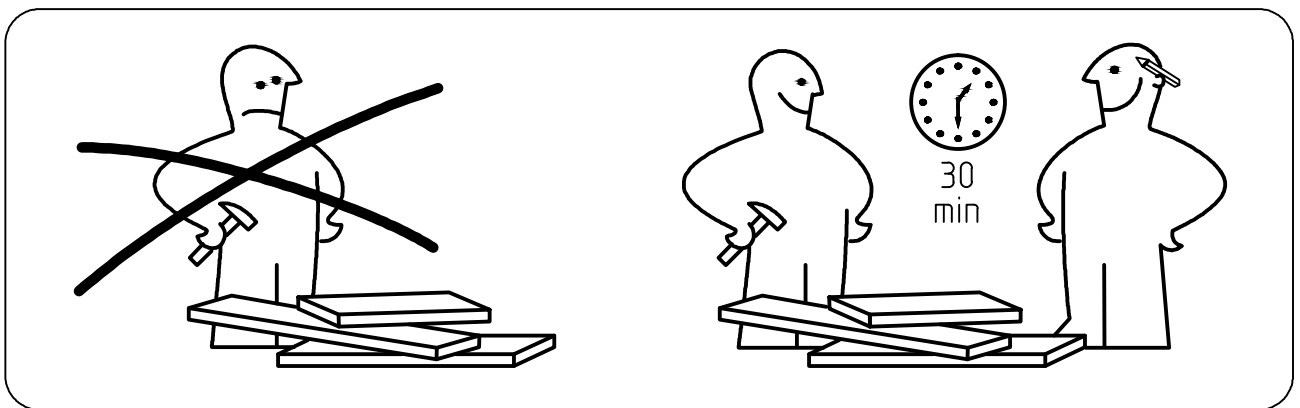
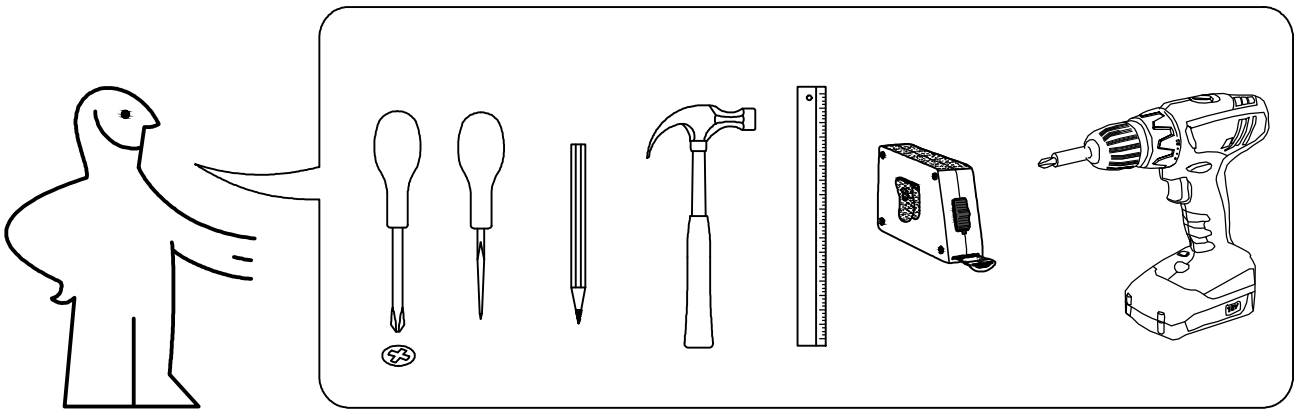



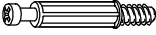


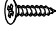
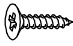



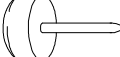
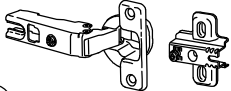


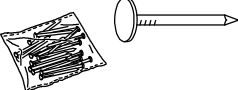
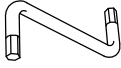


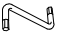

# KIM

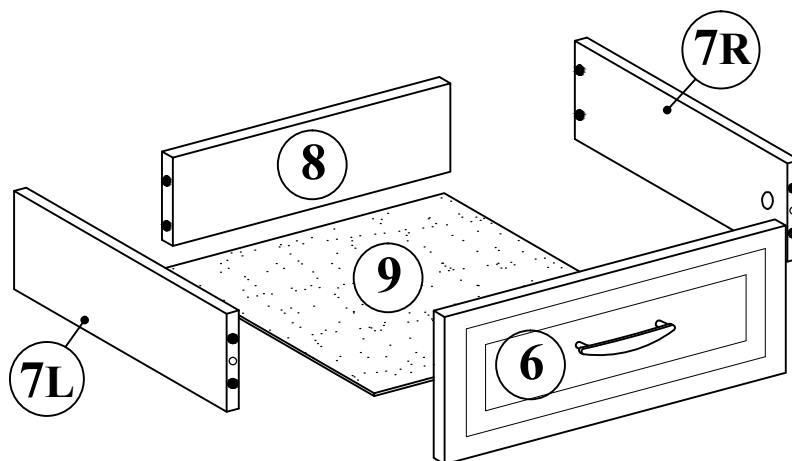
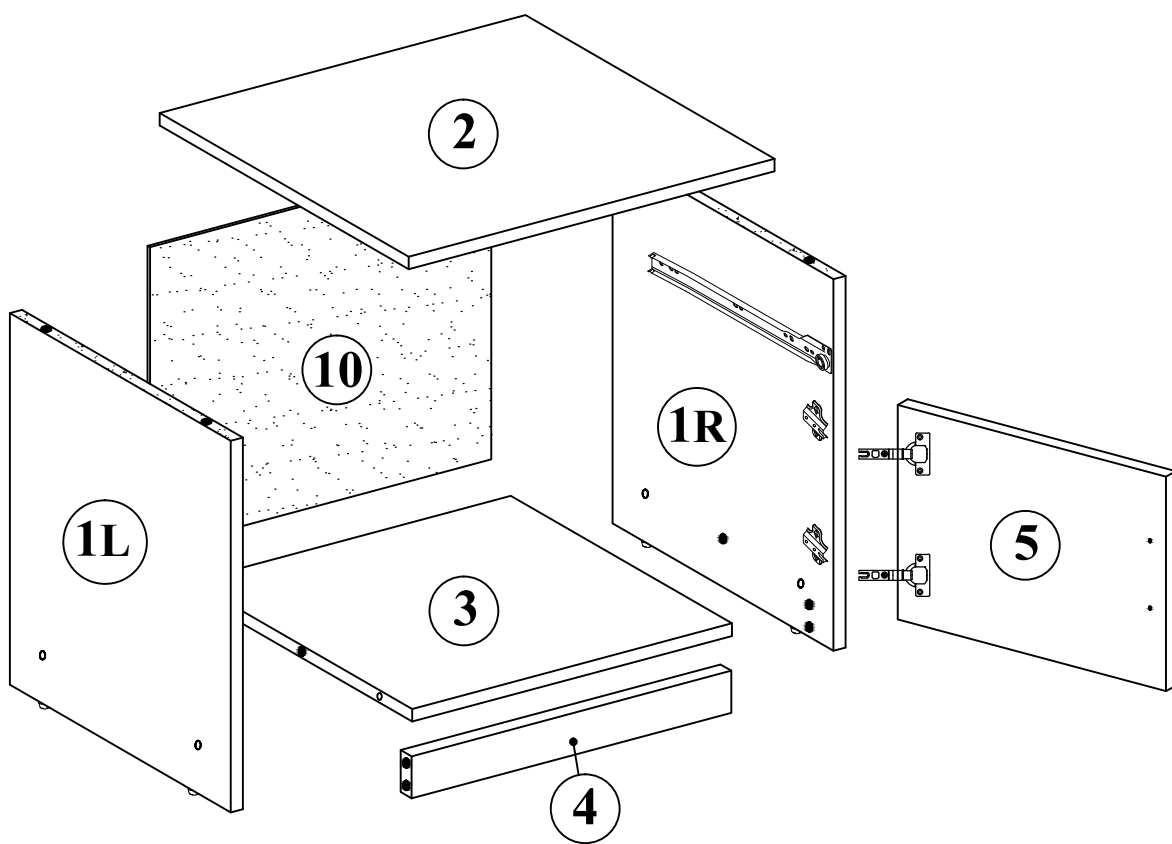
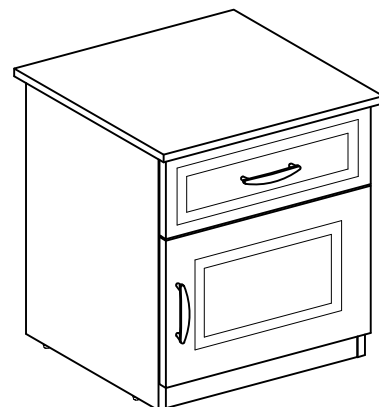
---




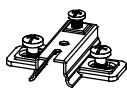
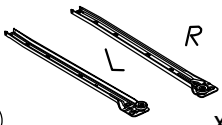
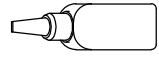




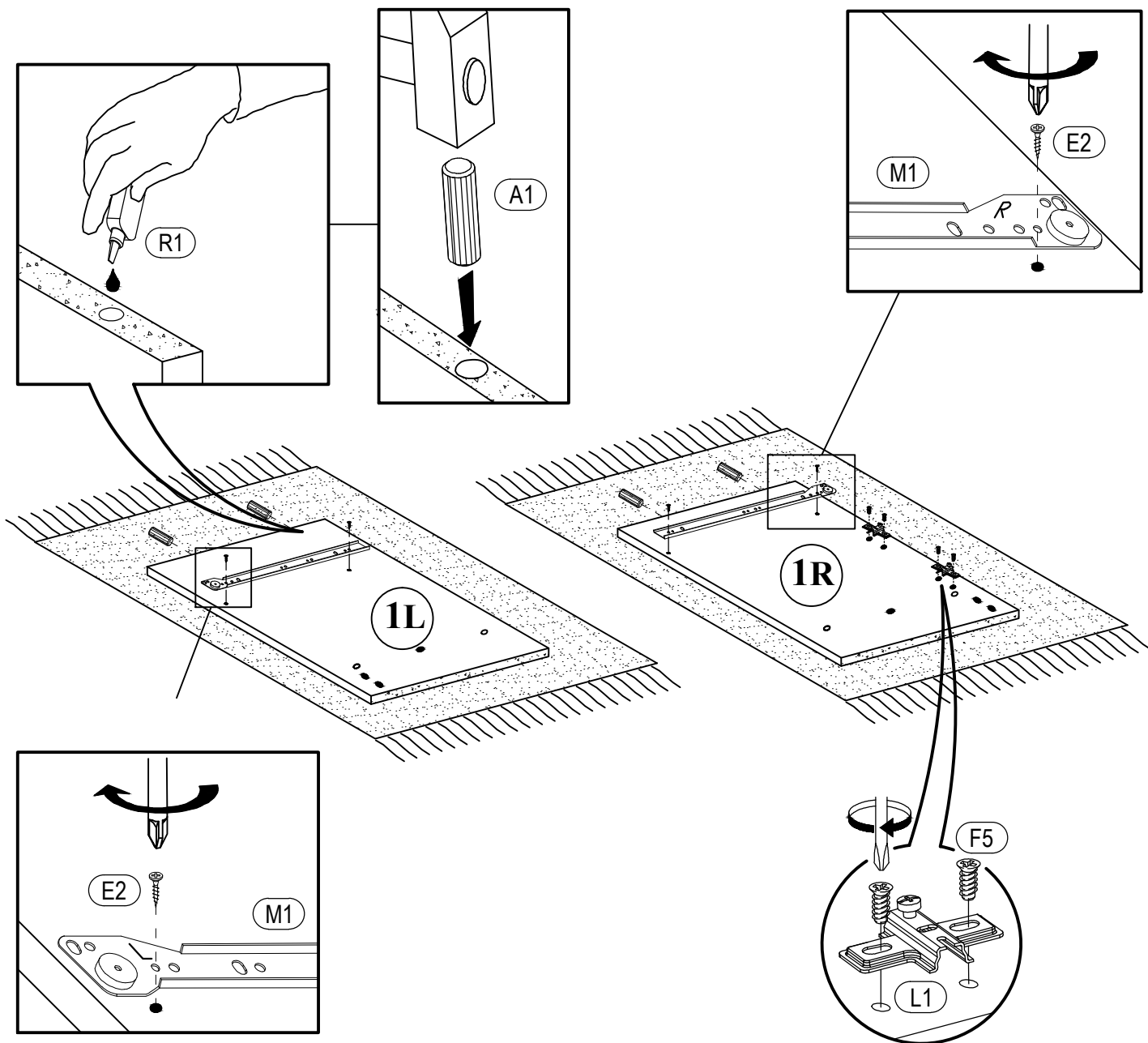
 (A1) 8*30mm x18	 (B) x4	 (B1) 6,3*50mm x4
 (C1) 5*30mm x2	 (D) x2	 (D1) 16mm x2
 (E2) 3*13mm x8	 (E9) 4*16mm x4	 (E16) 4,5*30mm x4
 (F5) 6,3*13mm x4	 (I12) x2	 (K1) x4
 (L1) x2	 (M1) L- 350mm x1	 (R1) x1
 (R2) 1.4*25MM 0.01kg	 (R3) x1	



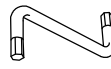
	a*b	x	N <sup>p</sup> →...
1R	500x356	x1	1
1L	500x356	x1	1
2	425x405	x1	1
3	367x356	x1	1
4	367x80	x1	1
5	286x396	x1	1
6	125x396	x1	1
7R	350x90	x1	1
7L	350x90	x1	1
8	309x90	x1	1
9	340x350	x1	1
10	395x430	x1	1
	 	x1	1



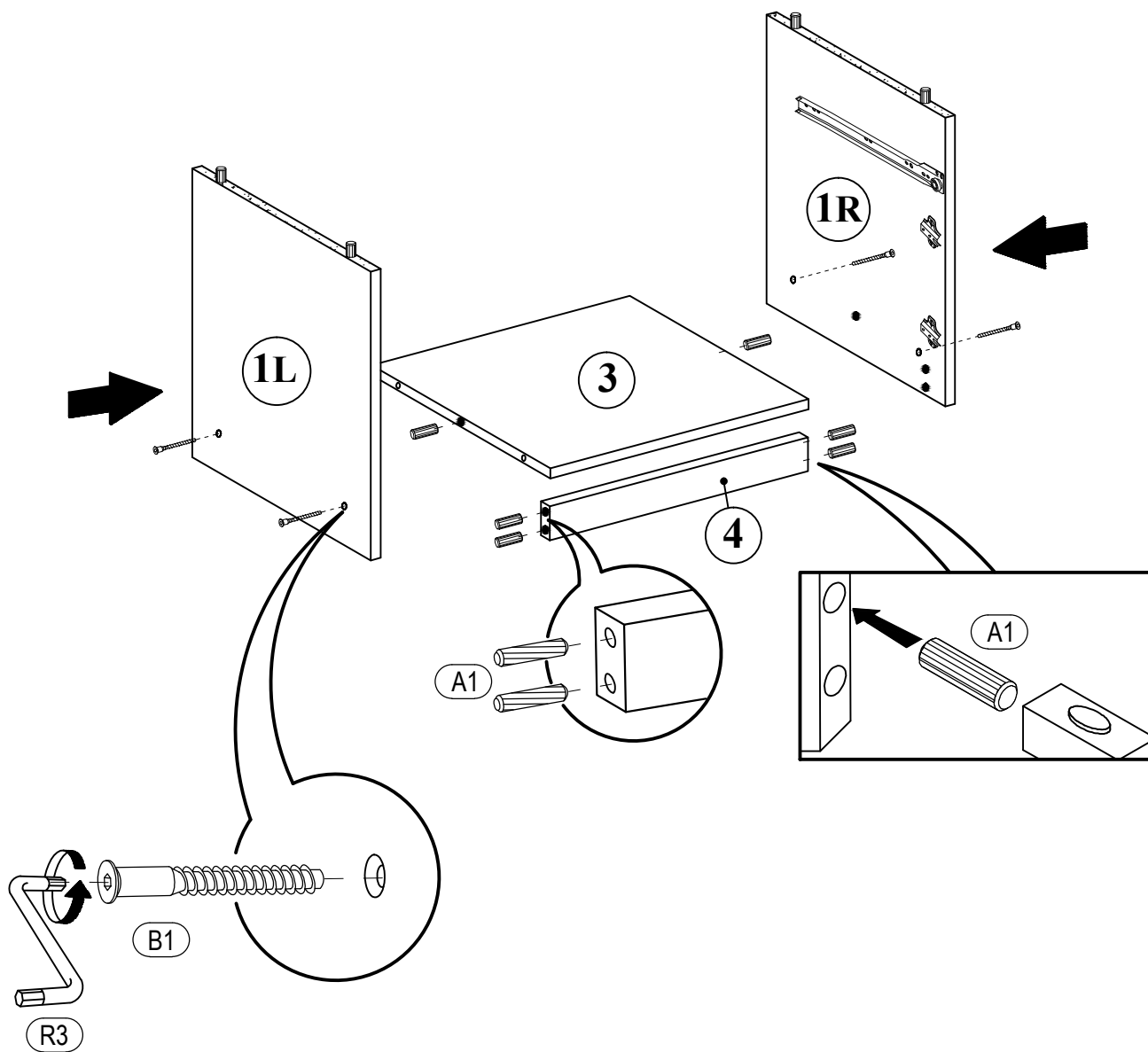
 <b>A1</b> 8*30mm x2	 <b>E2</b> 3*13mm x4	 <b>F5</b> 6,3*13mm x4
 <b>L1</b> x2	 <b>M1</b> x1	 <b>R1</b>

# 1

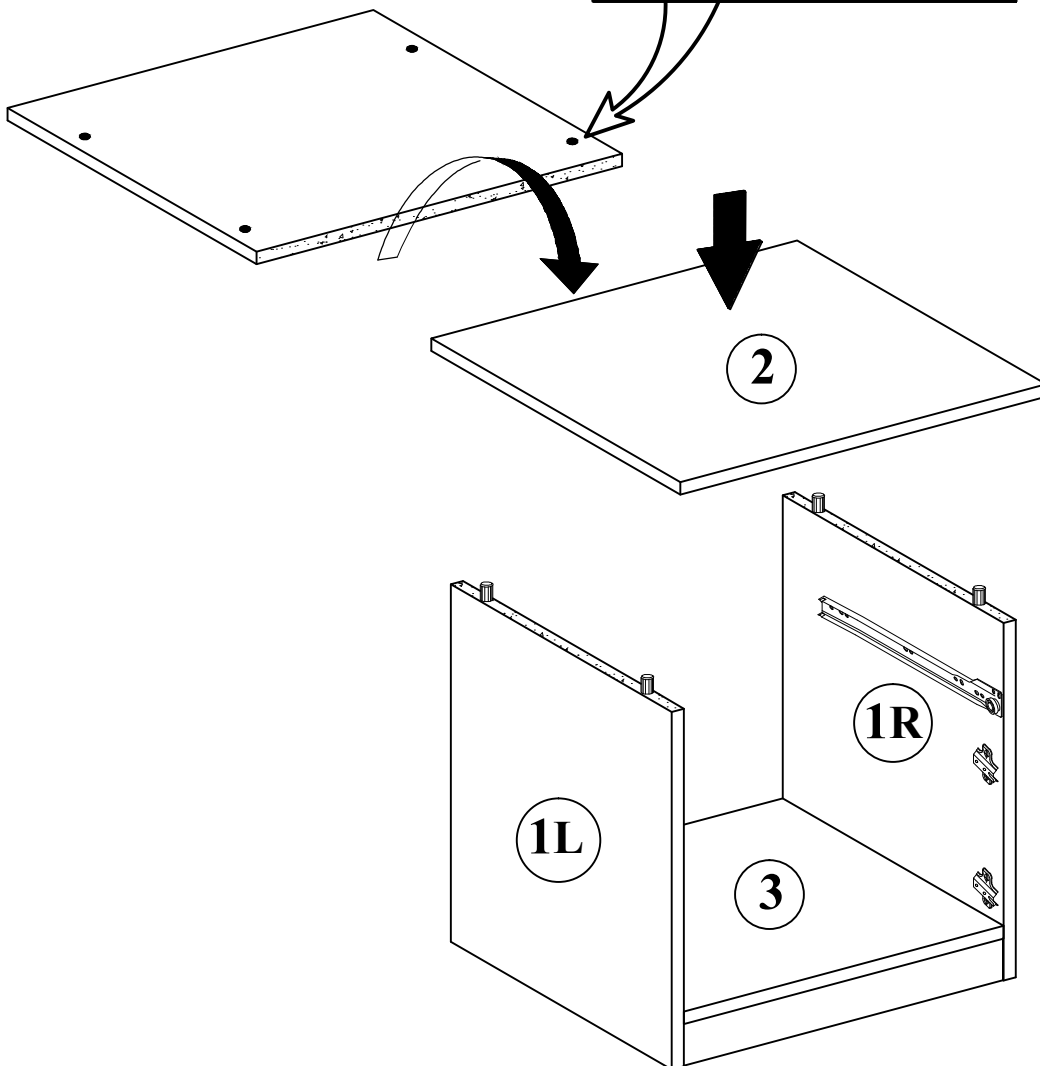
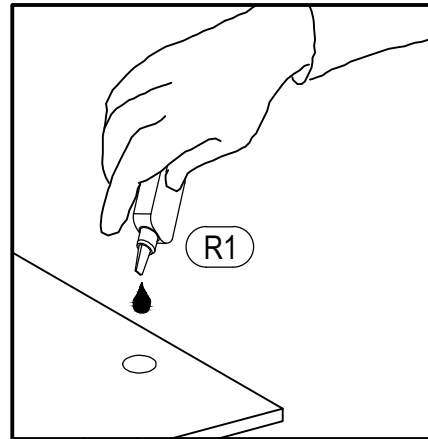
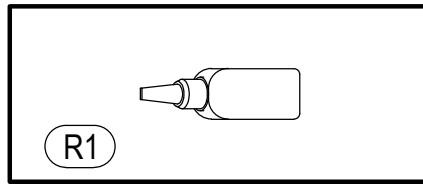


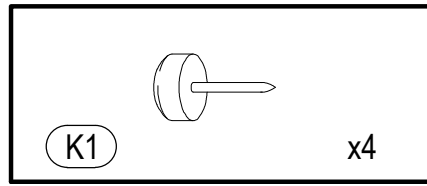
 A1 8*30mm x6	 B1 6,3*50mm x4	 R3
---------------------------------------------------------------------------------------------------	-----------------------------------------------------------------------------------------------------	-------------------------------------------------------------------------------------------

# 2

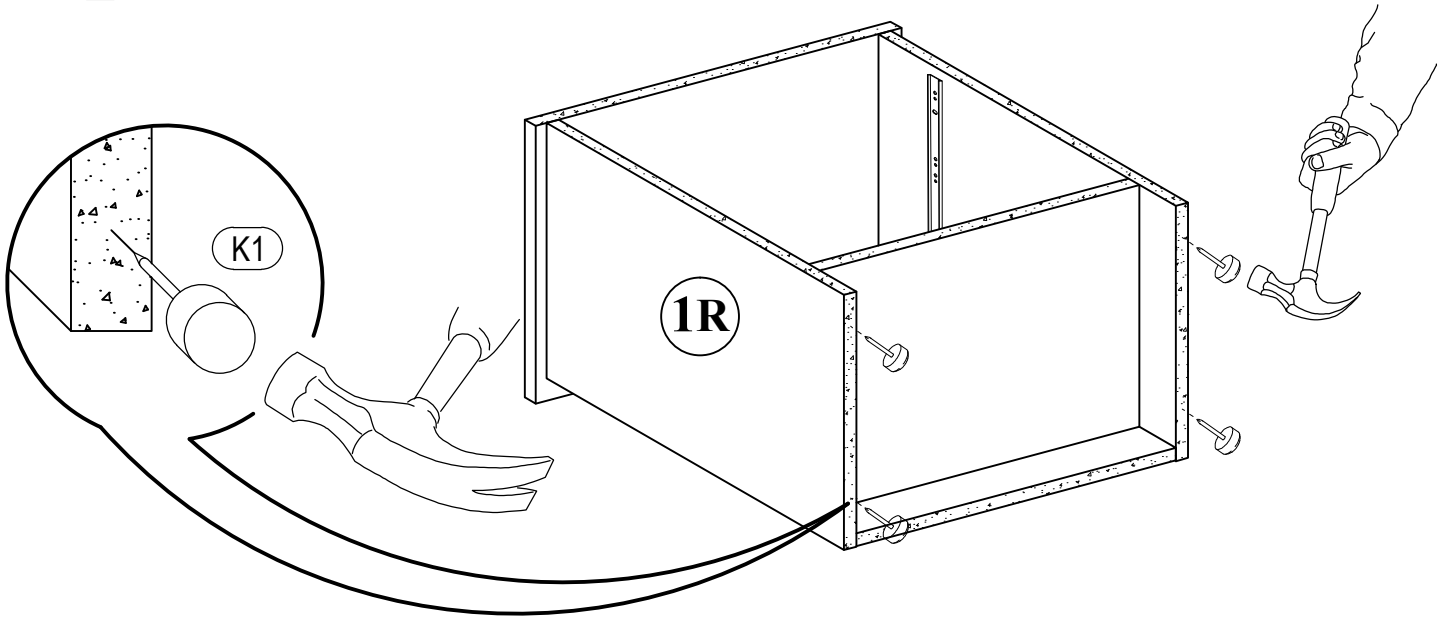


# 3

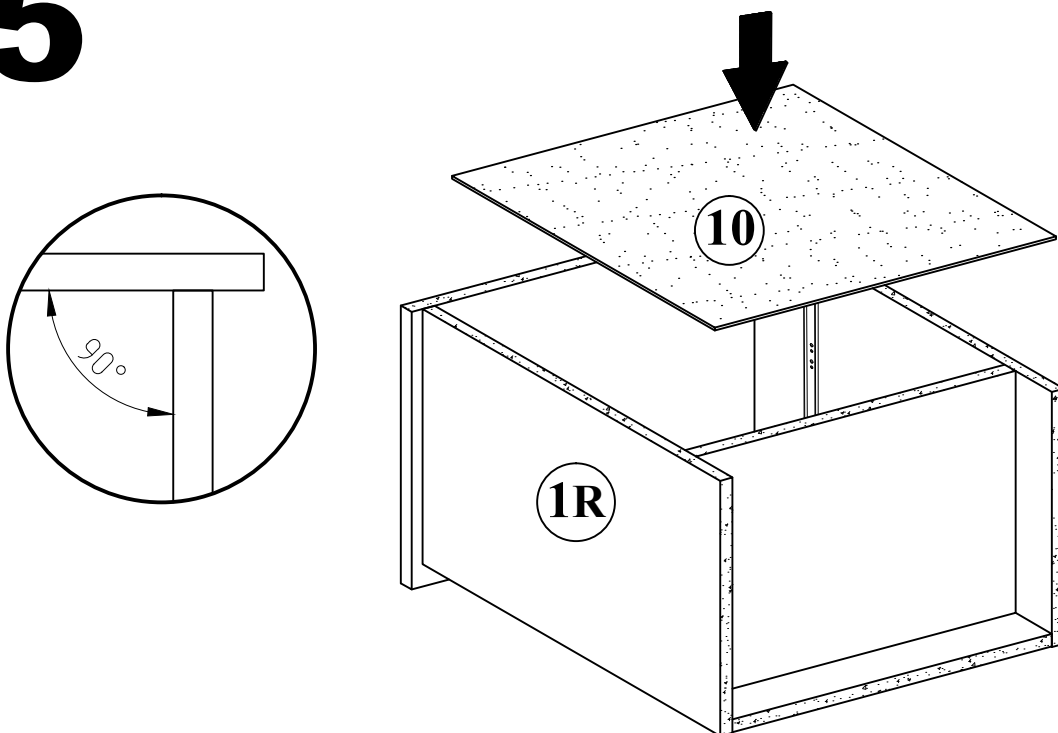




**4**

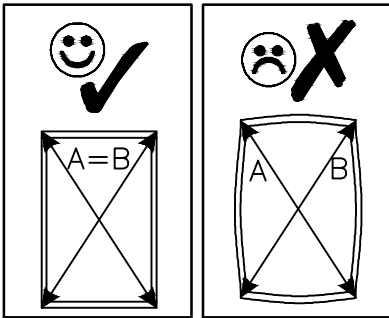
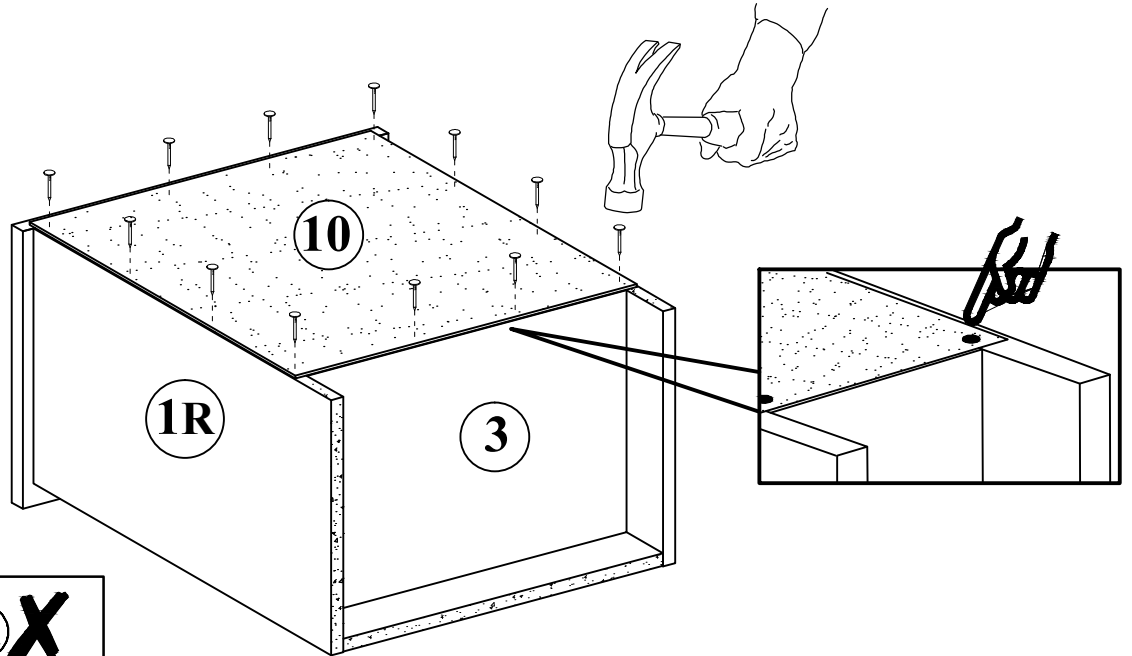
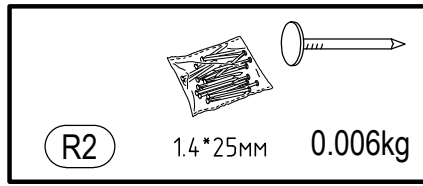


**5**

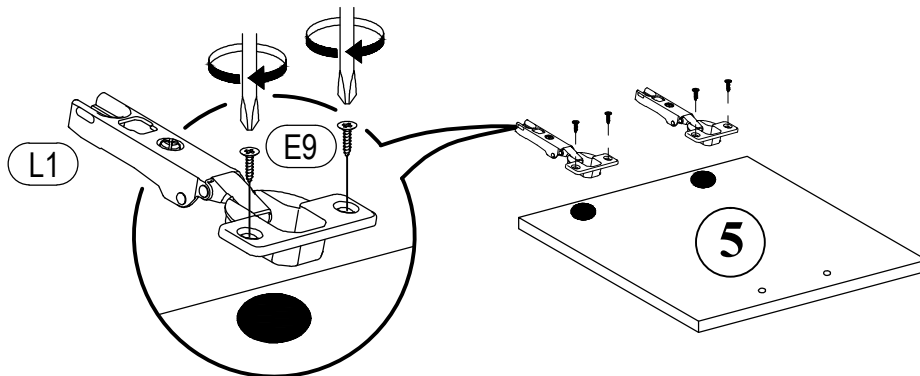
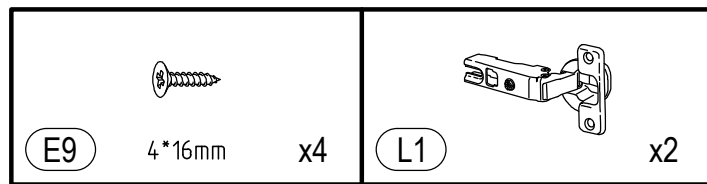






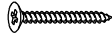

# 6



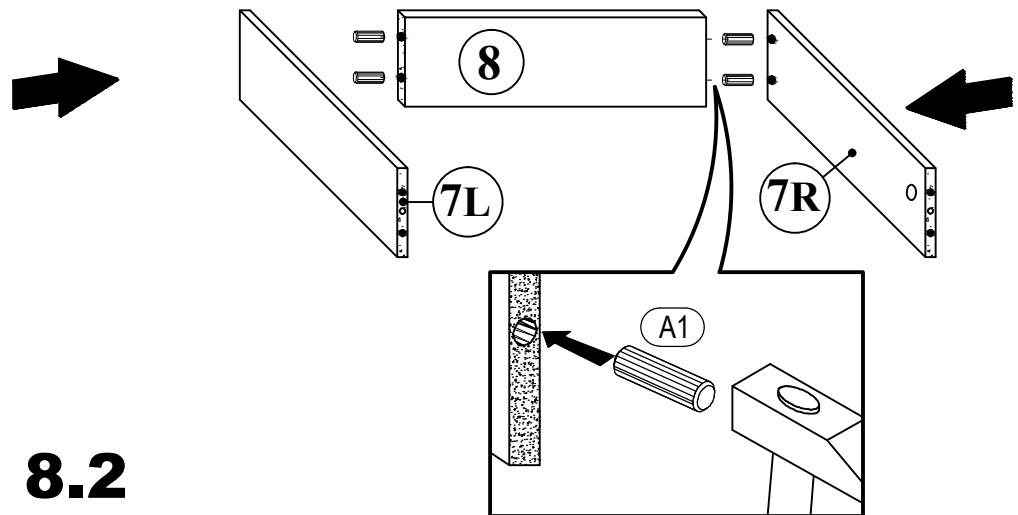
# 7



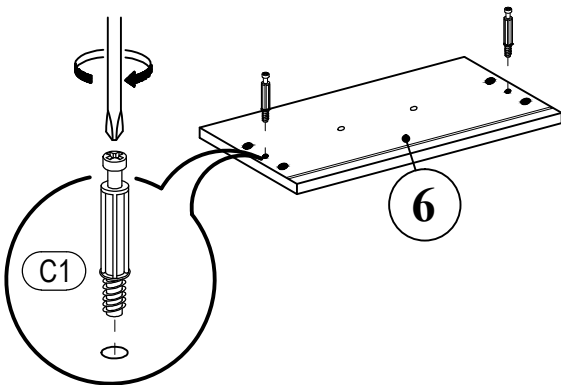
8

 A1 8*30mm x4	 C1 5*30mm x2	 E16 4,5*30mm x2
 I12 x1		

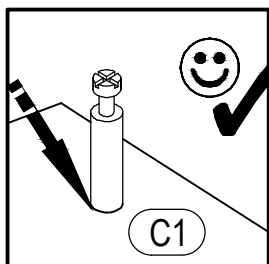
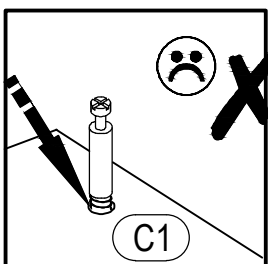
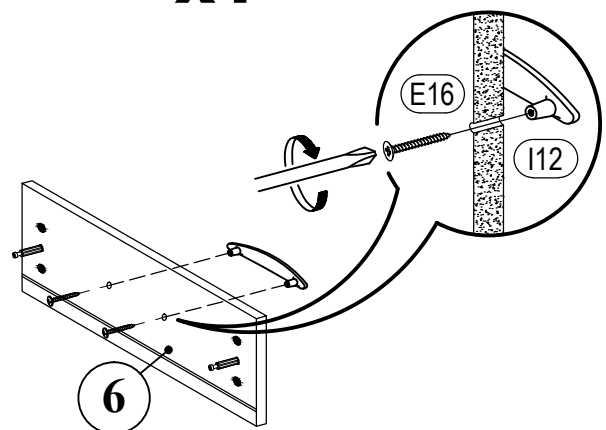
**8.1**  
**x1**





**8.2**  
**x1**



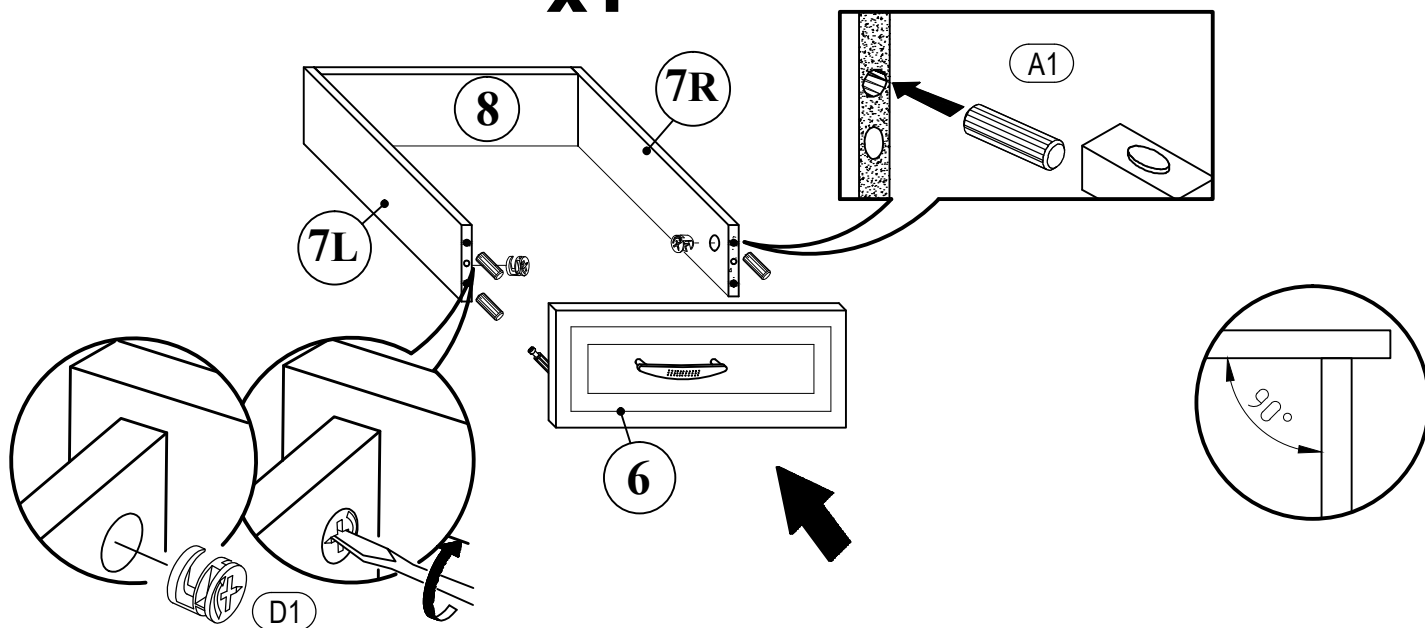
**8.3**  
**x1**



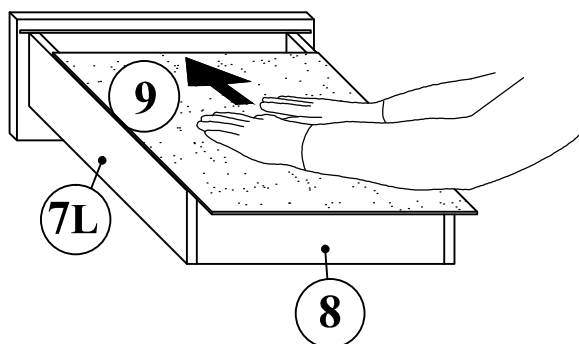
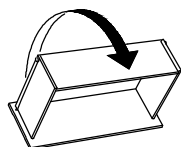
 A1 8*30mm x4	 D1 16mm x2
---------------------------------------------------------------------------------------------------	-------------------------------------------------------------------------------------------------

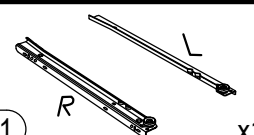
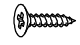

# 8

## 8.4 x1

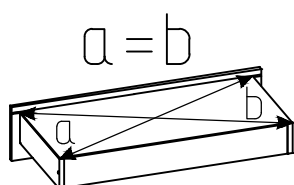


## 8.5 x1



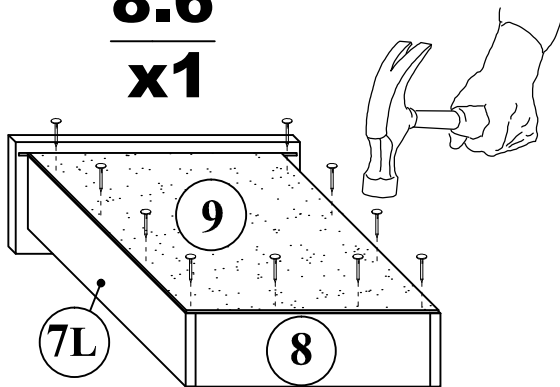
 <p>M1 R L x1</p>	 <p>E2 3*13mm x4</p>	 <p>R2 1.4*25MM 0.004kg</p>
----------------------------------------------------------------------------------------------------	-------------------------------------------------------------------------------------------------------	----------------------------------------------------------------------------------------------------------------

# 8



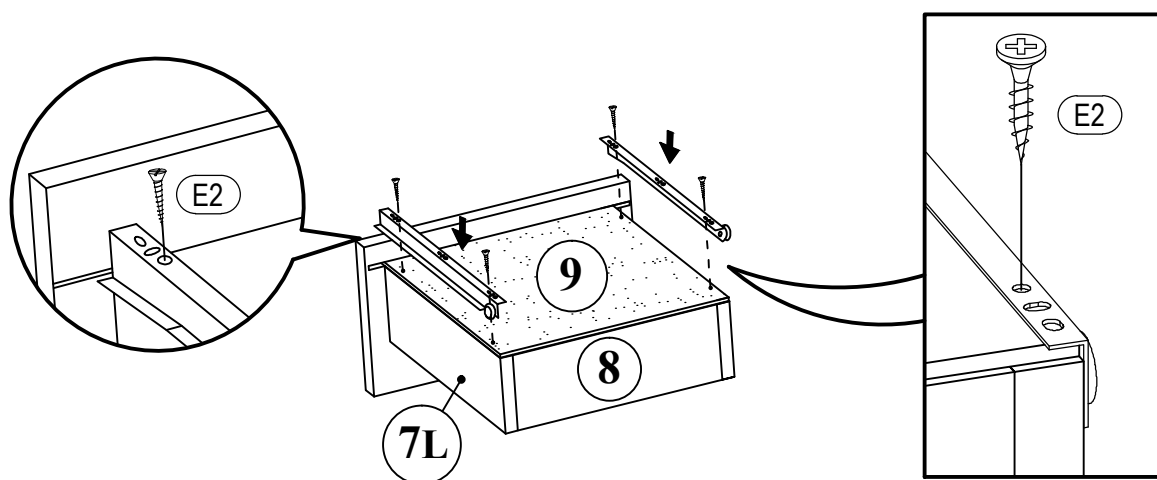
## 8.6

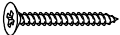

x1



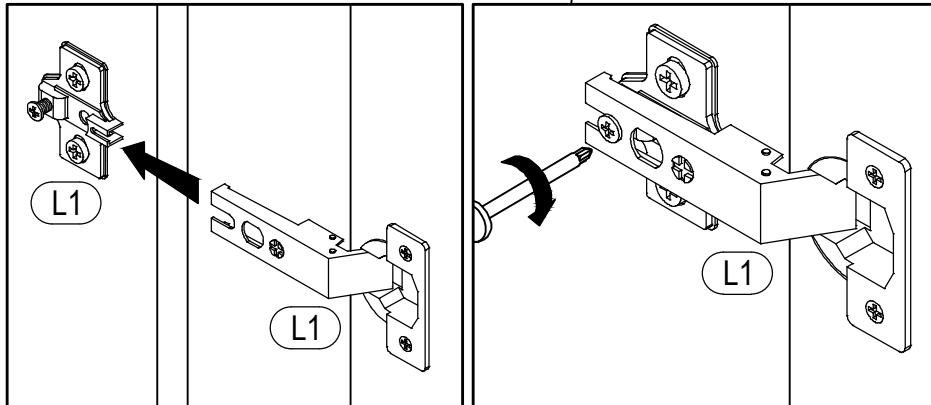
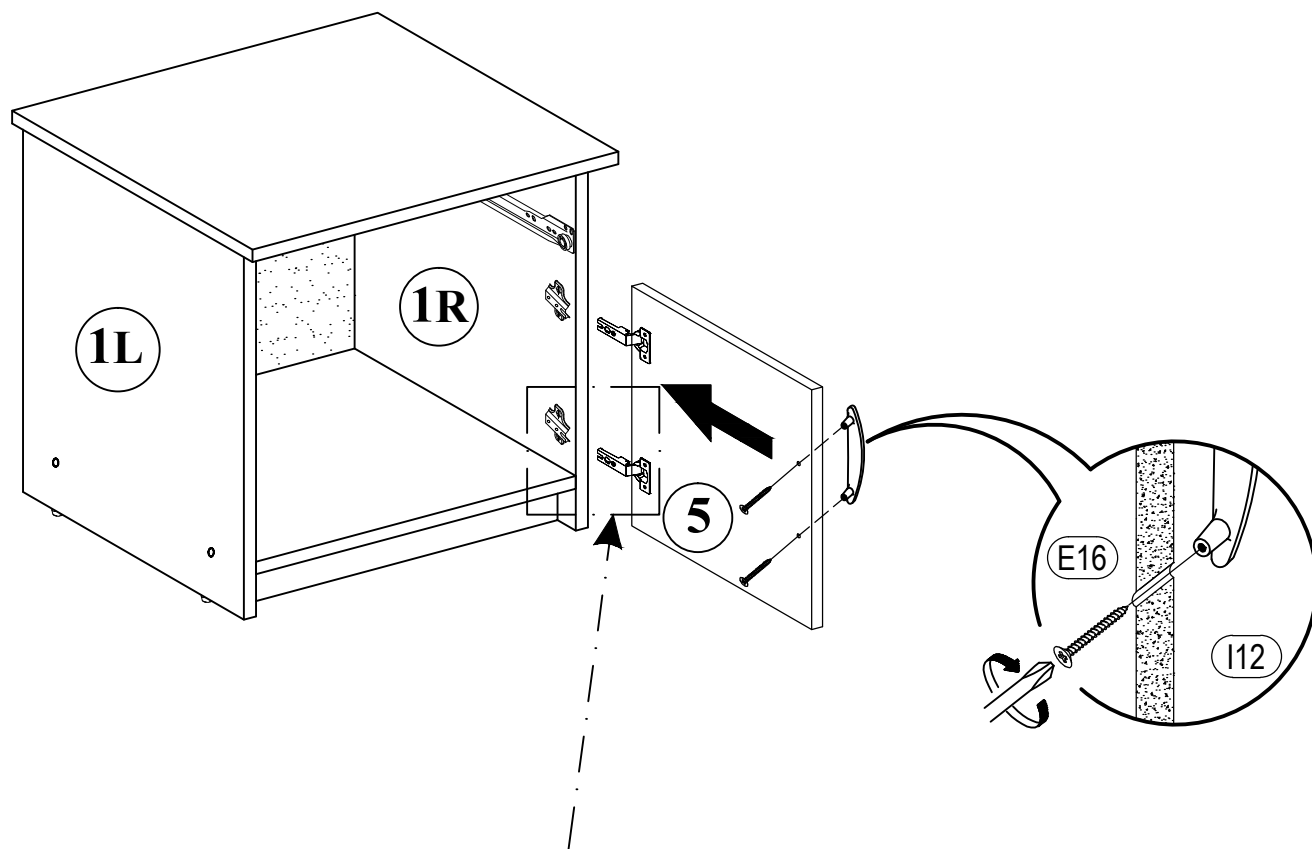
## 8.7

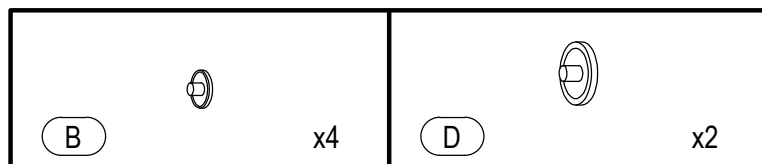
x1



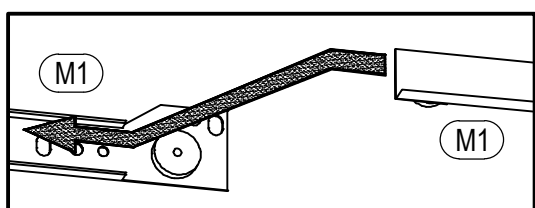
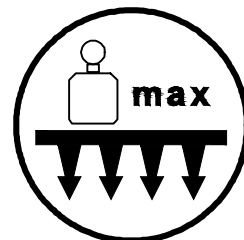
 E16 4,5*30mm x2	 I12 x1
------------------------------------------------------------------------------------------------------	---------------------------------------------------------------------------------------------

# 9

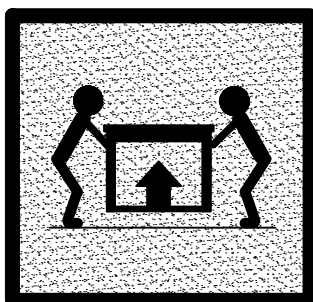
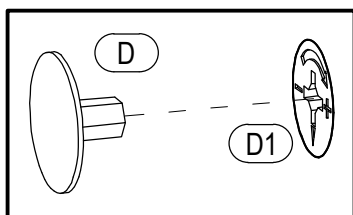
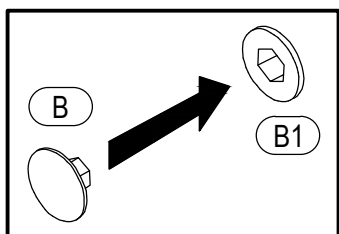
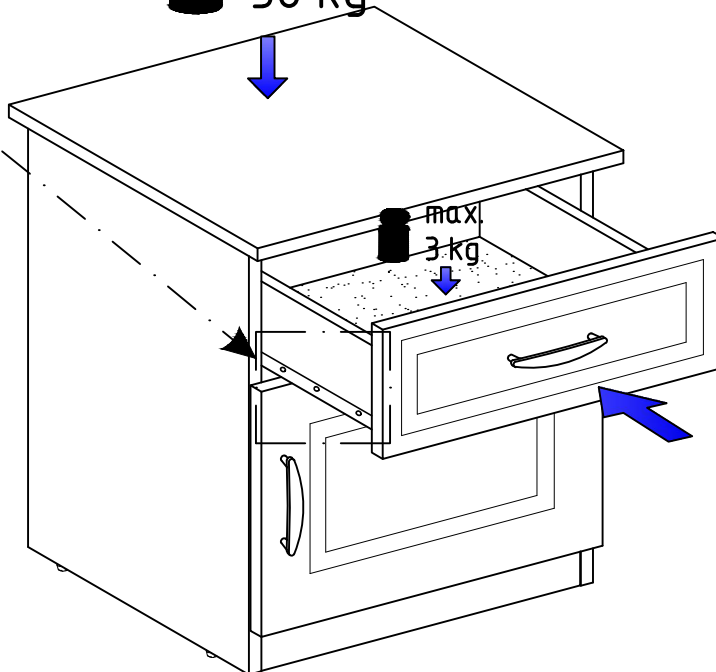




# 10



max.  
30 kg



# 11

