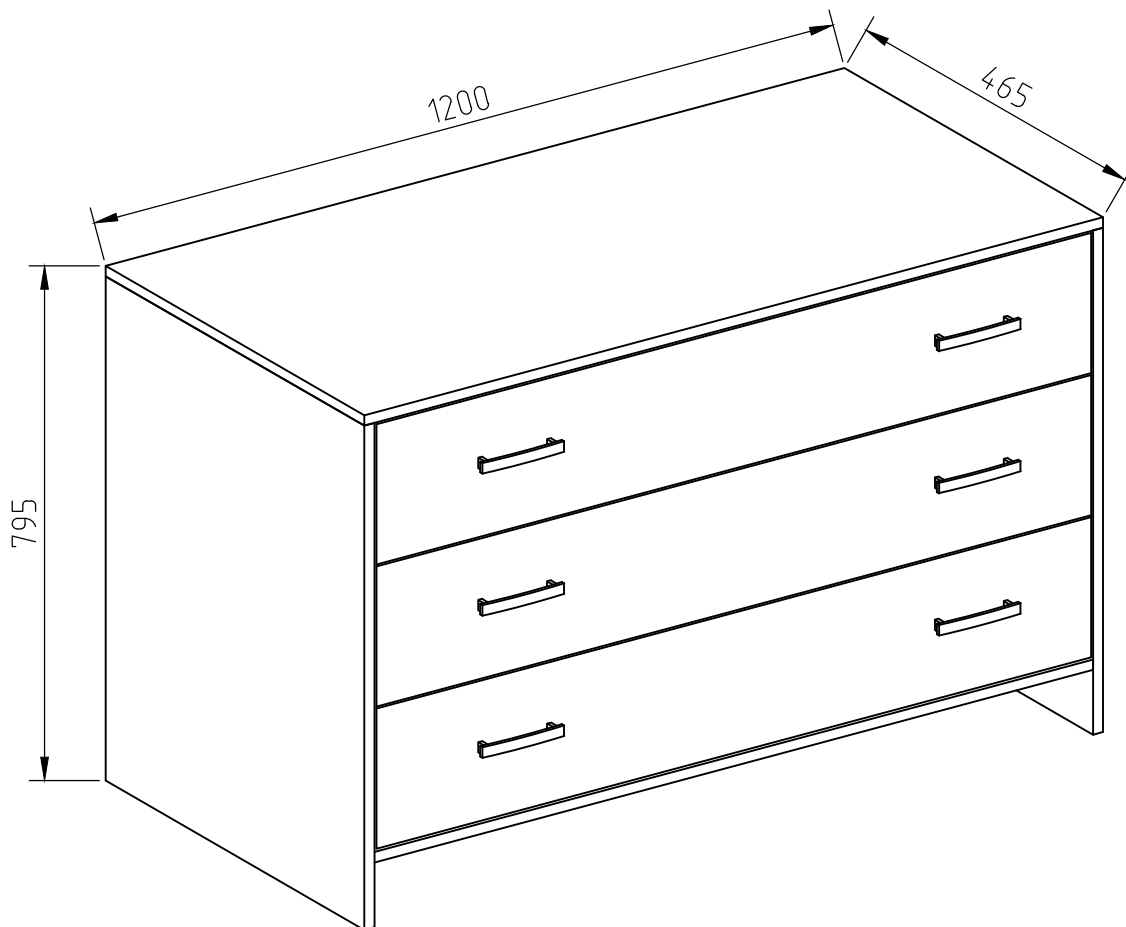


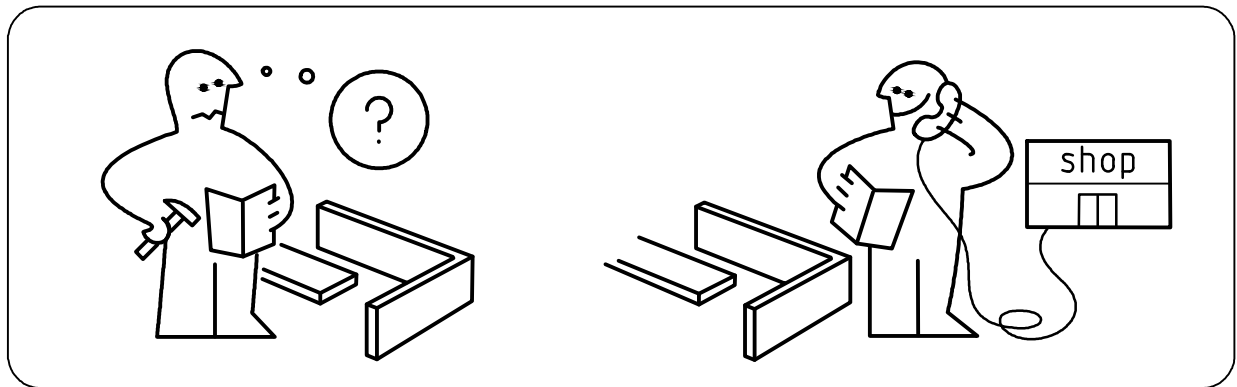
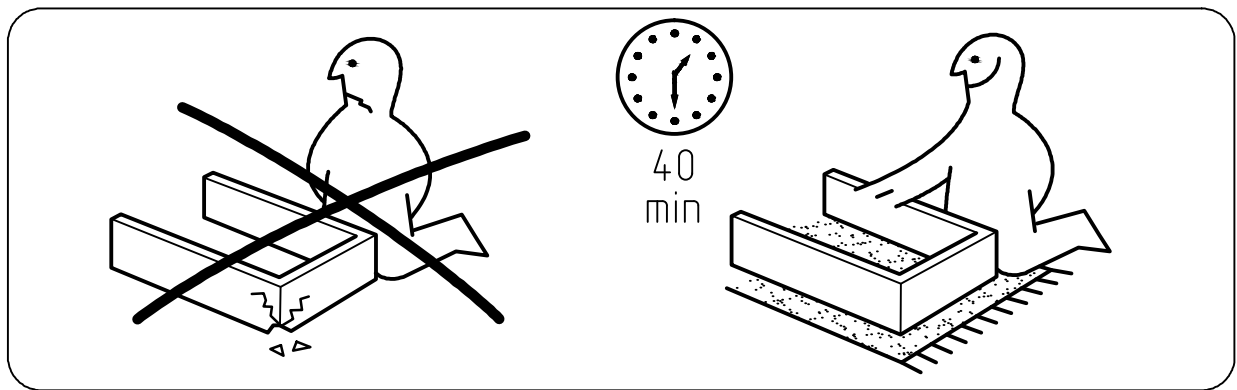
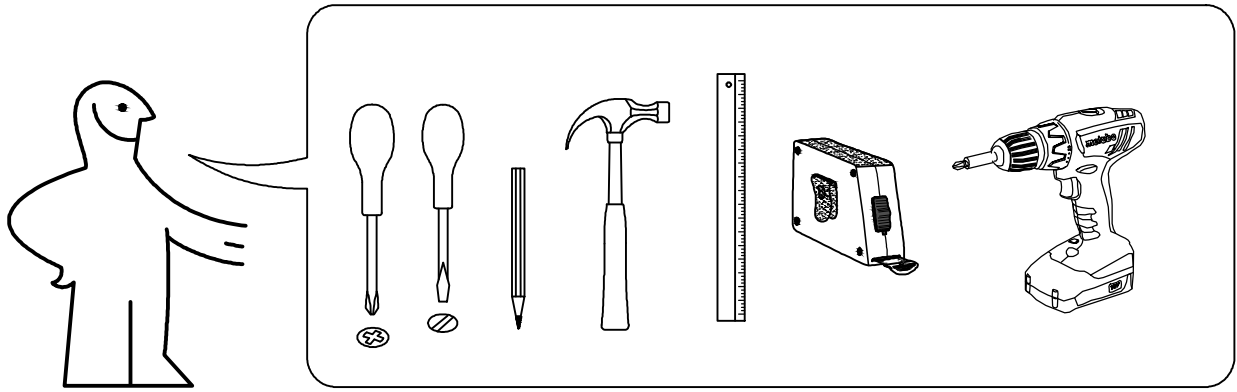
# **BASYA NEW**

---



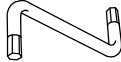



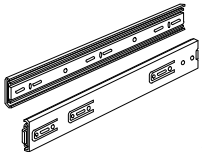
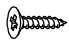

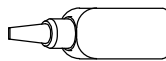
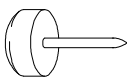



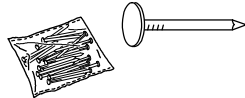
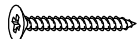
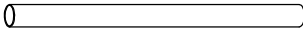
## **CHEST OF DRAWERS**

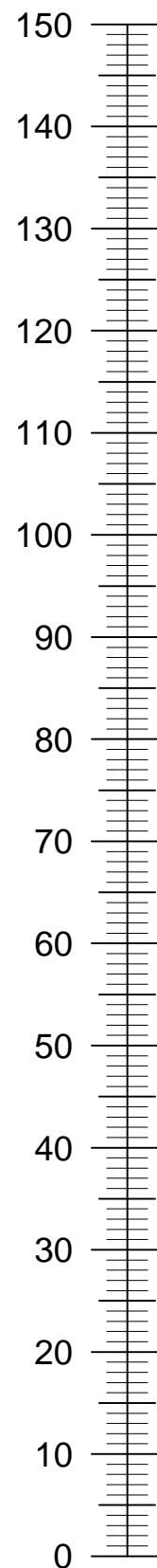


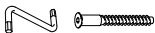
# BASYA NEW

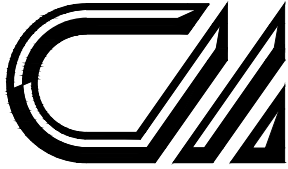


# BASYA NEW

 <b>B1</b> 6,3*50mm x6	 <b>B</b> x6	 <b>P1</b> x1
 <b>C1</b> 5*30mm x14	 <b>D1</b> 16mm x14	 <b>D</b> x14
 <b>M2</b> x3	 <b>E5</b> 3,5*16mm x24	 <b>A1</b> 8*30mm x44
 <b>R1</b> x1	 <b>K1</b> x6	 <b>I8</b> x6
 <b>G6</b> M 4*25mm x12	 <b>H1</b> M 4 x12	 <b>R3</b> 1.4*25mm 0.05kg
 <b>E9</b> 3,5*40mm x6	 <b>P1</b> d-25MM L-1184 x1	

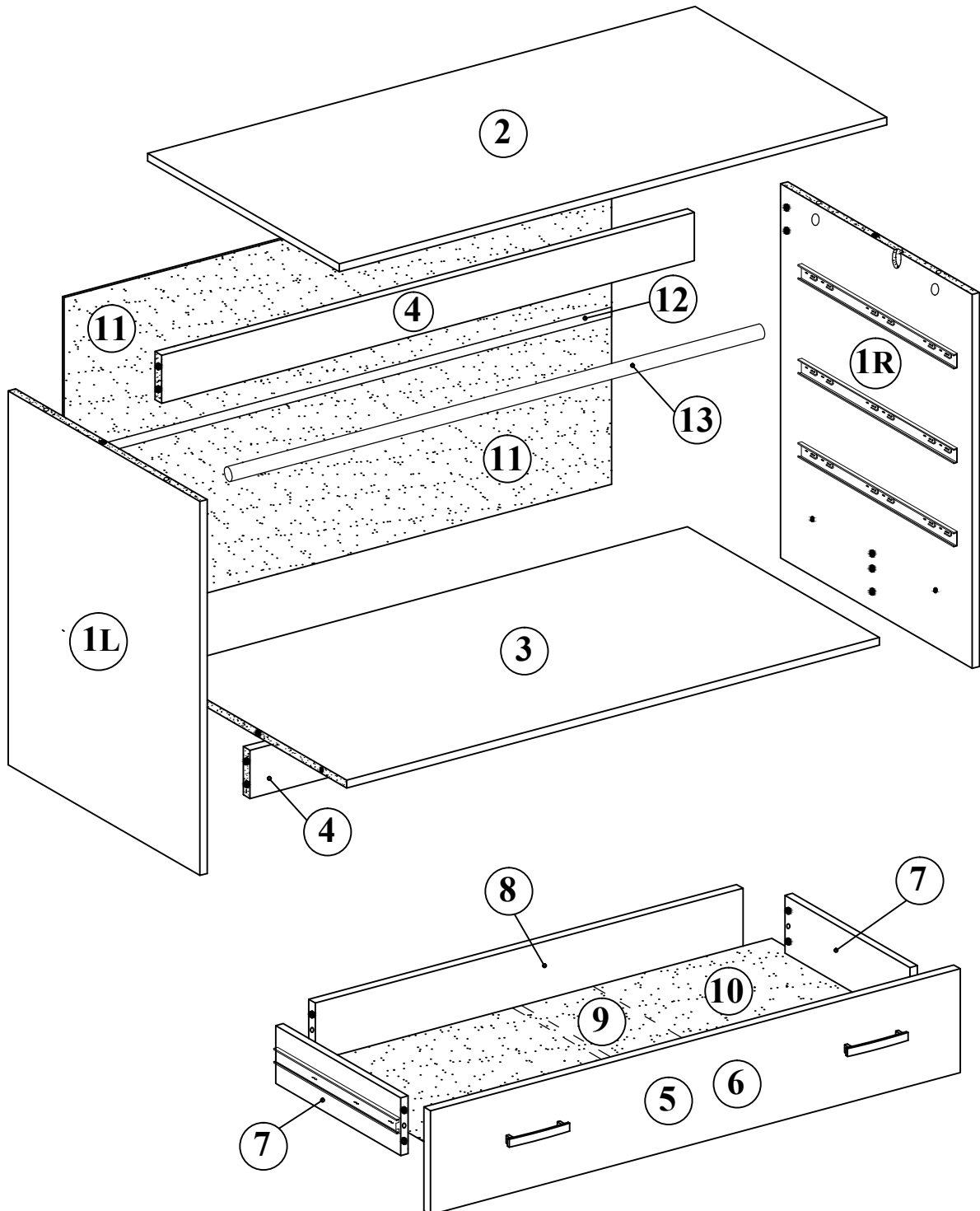
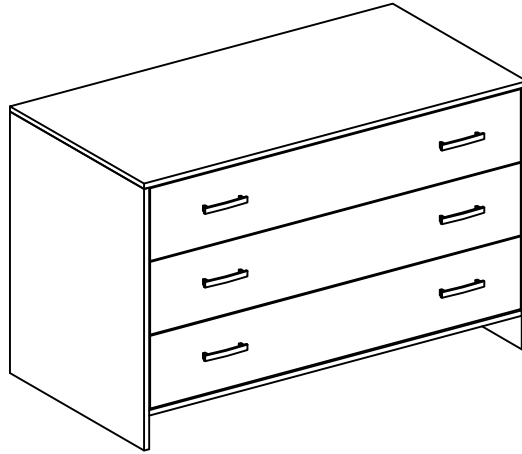


	a*b	x	Nº→...
1L+R	777x460	2	
2	1200x460	1	
3	1162x439	1	
4	1162x100	2	
5	1154x220	2	
6	1154x220	1	
7	400x120	6	
8	1100x120	3	
9	400x120	3	
10	1130x403	3	
11	1194x345	2	
12	L=1160MM	1	
13	L=1184MM	1	
		1	

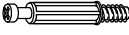


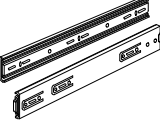
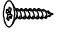


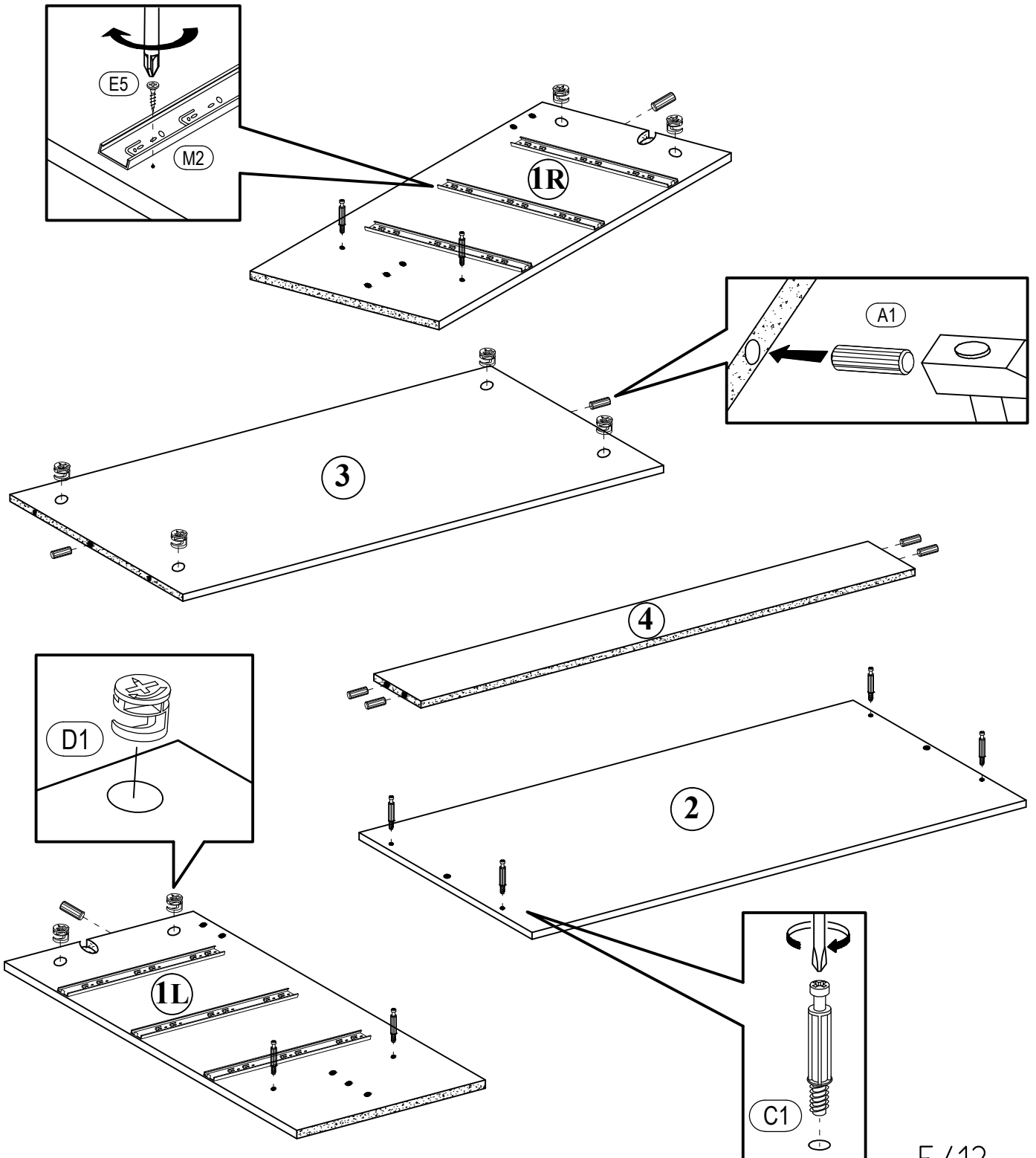
СВІТ МЕБЛІВ

**BASYA NEW**

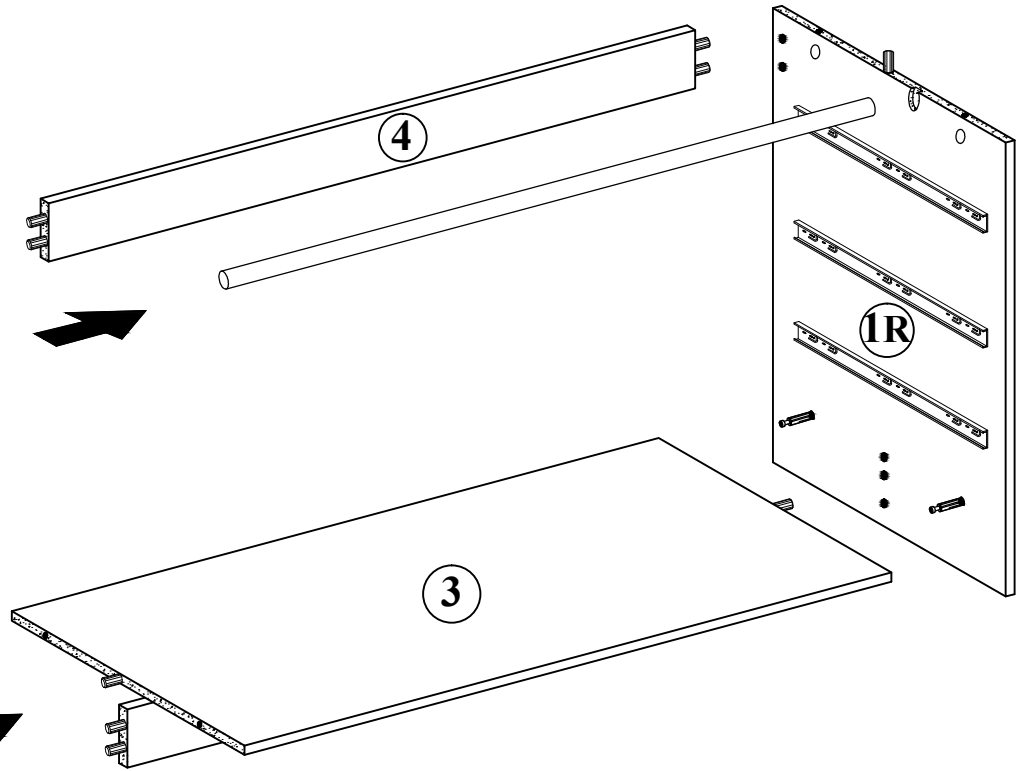
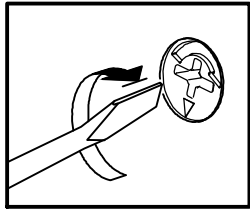
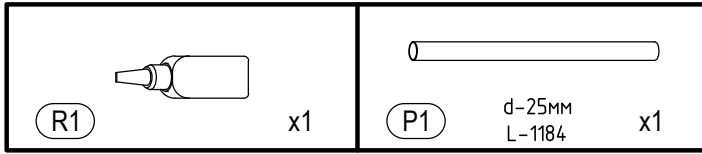


**1**

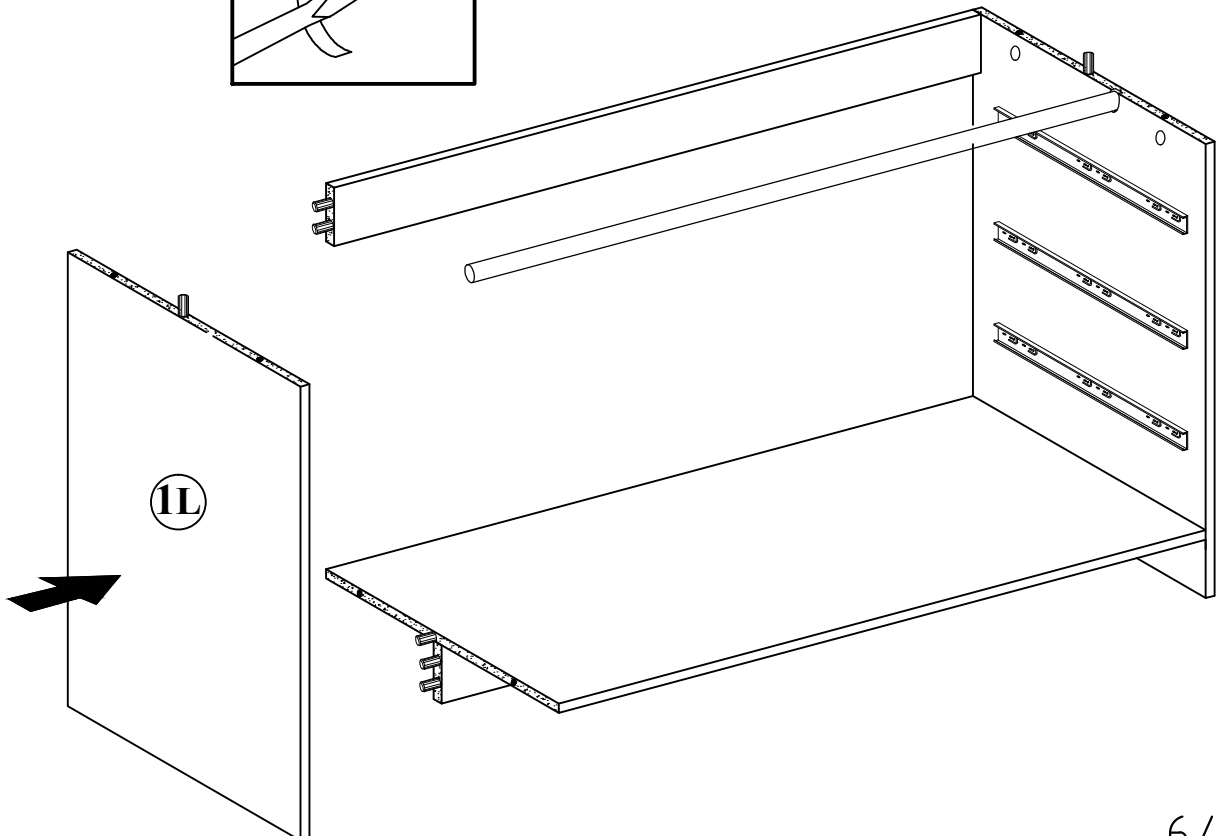
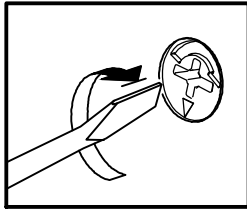
 C1 5*30mm x8	 D1 16mm x8	 A1 8*30mm x12
 M2 x3	 E5 3,5*16mm x12	



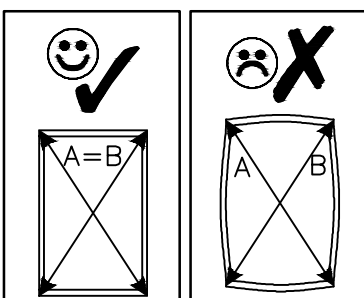
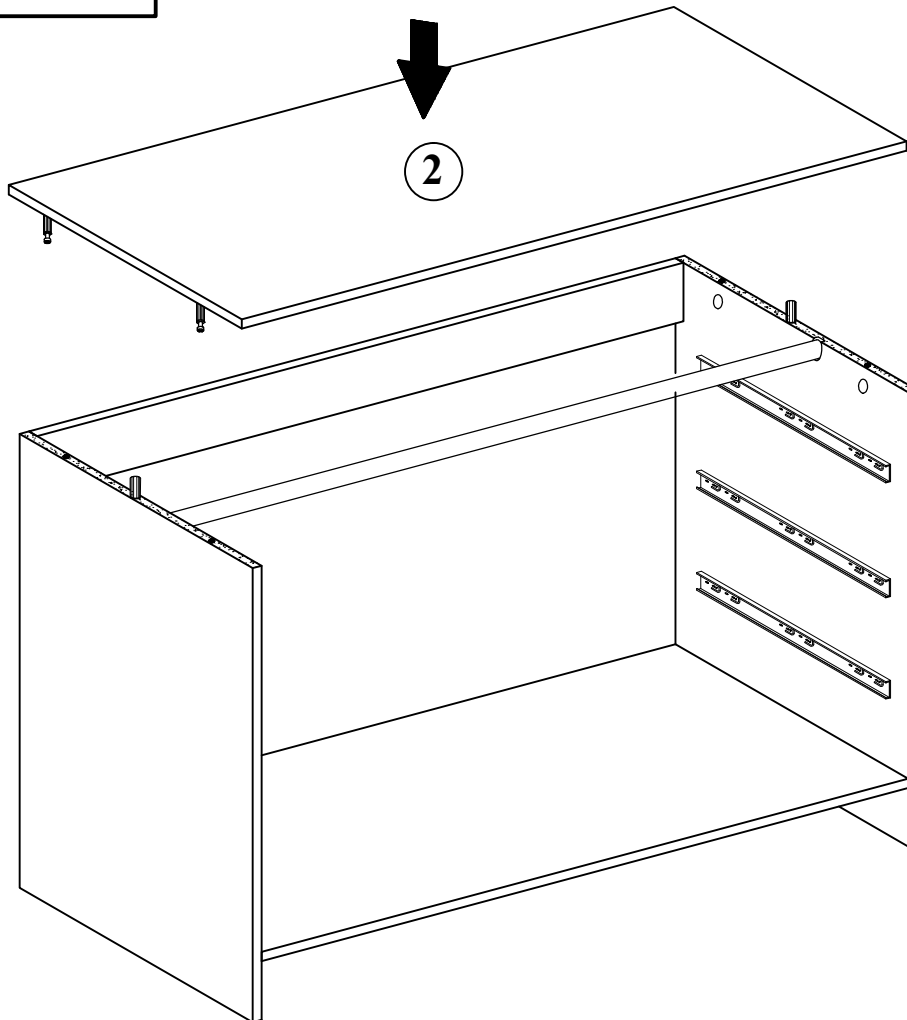
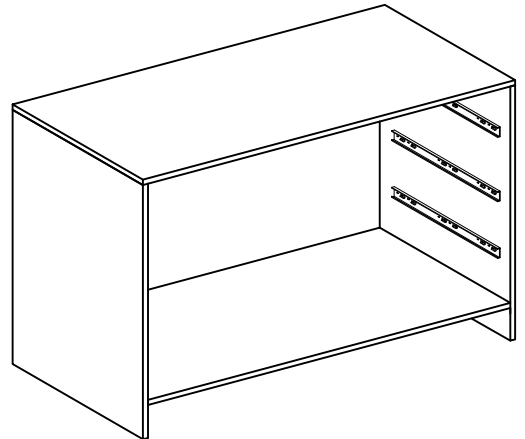
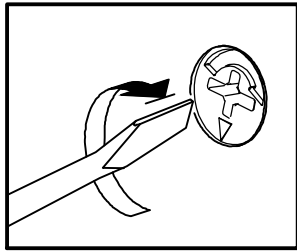
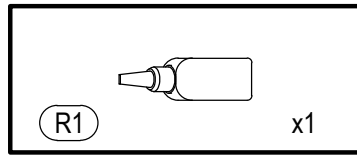
**2**



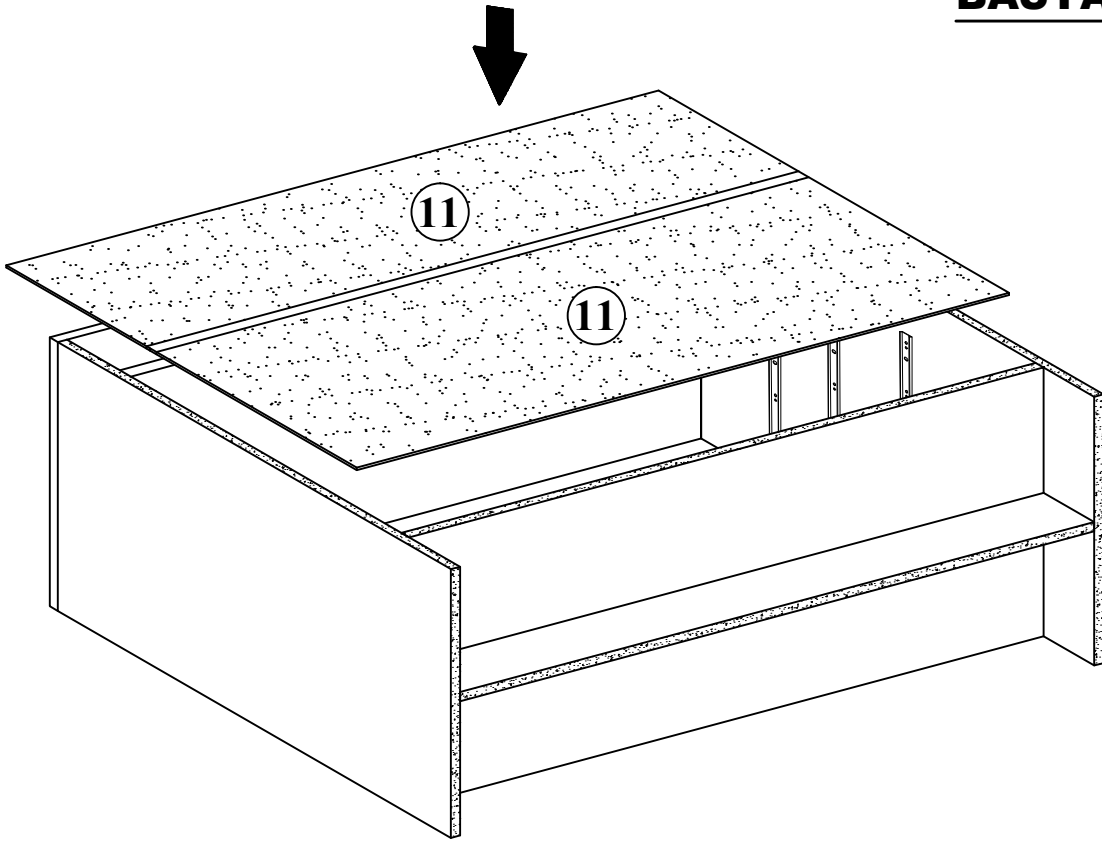
**3**



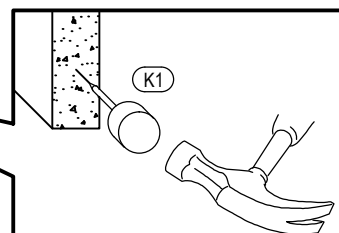
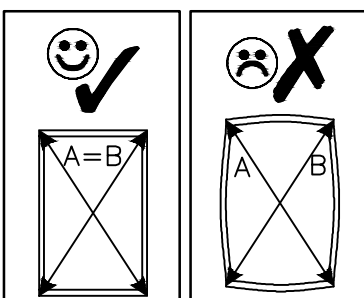
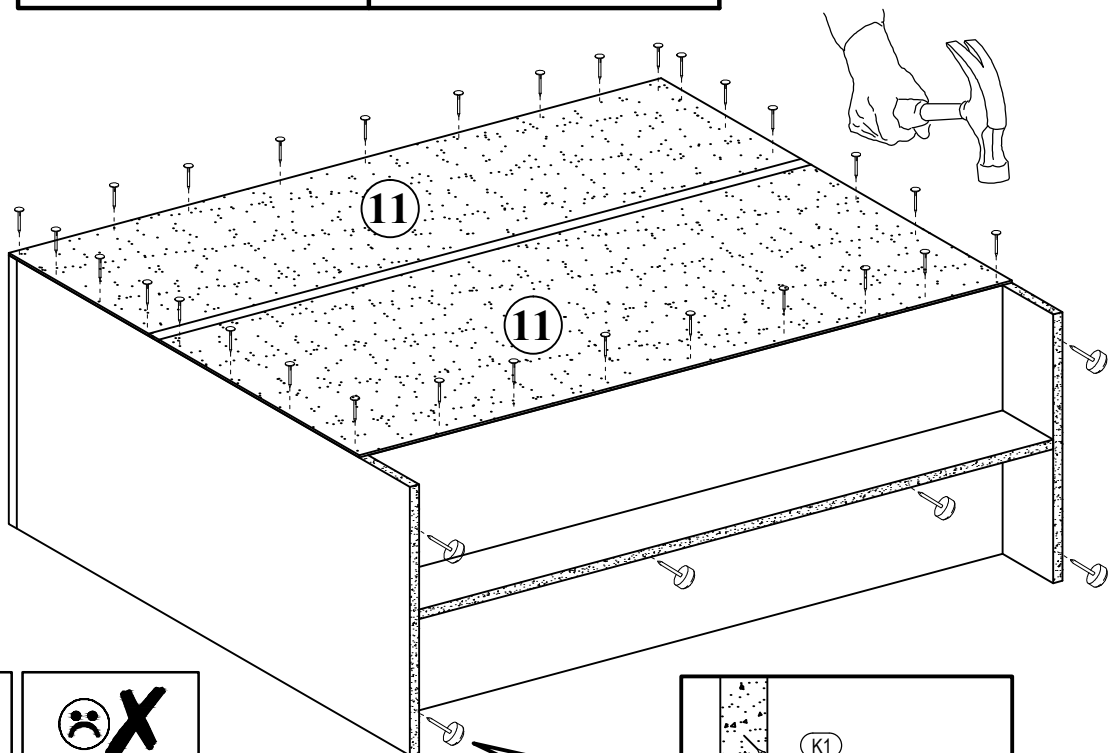
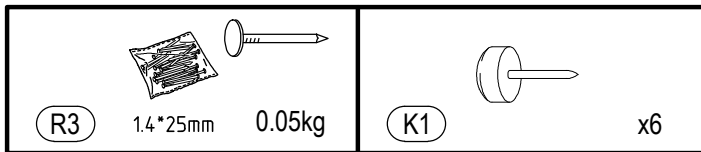
**4**



**5**

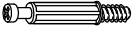


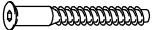




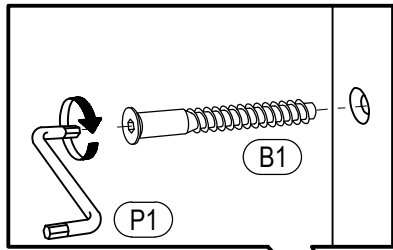
**6**



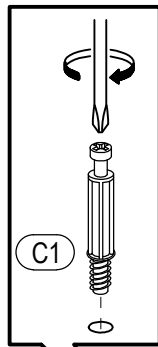
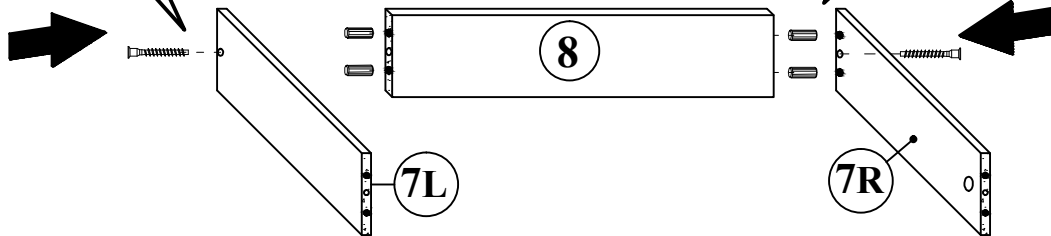
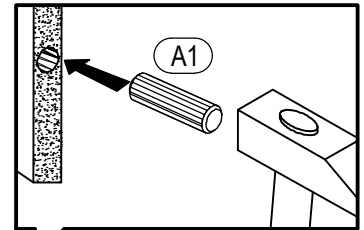


**7**

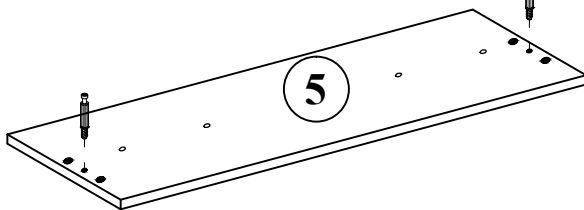
 (C1) 5*30mm x6	 (H1) M 4 x12	 (A1) 8*30mm x12
 (B1) 6,3*50mm x6	 (I8) x6	 (G6) M 4*25mm x12



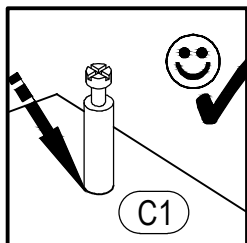
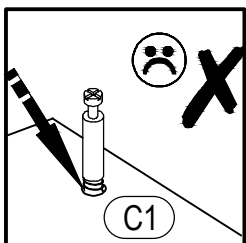
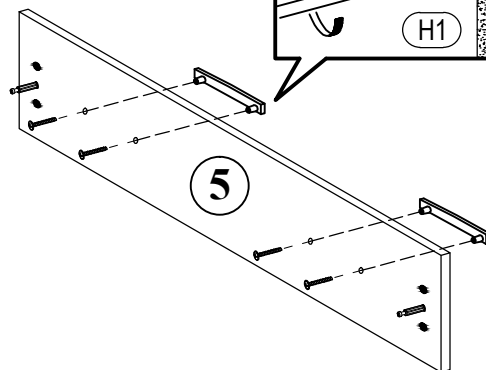
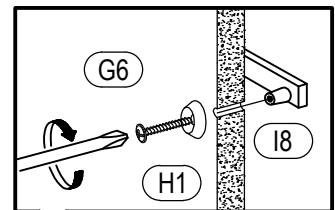
**7.1**  
**x3**



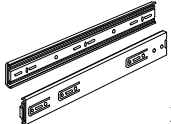



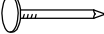
**7.2**  
**x3**



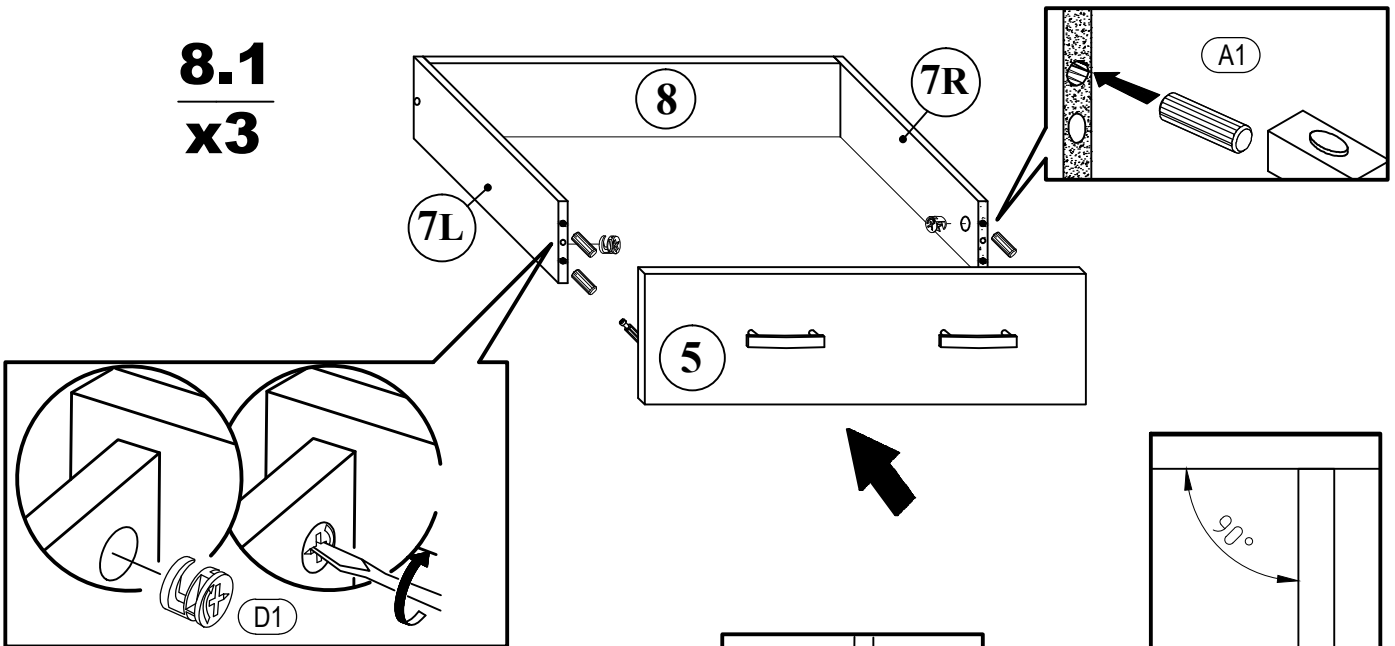
**7.3**  
**x3**



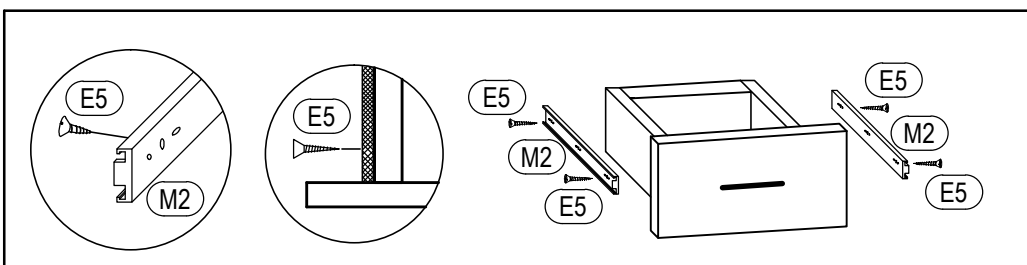
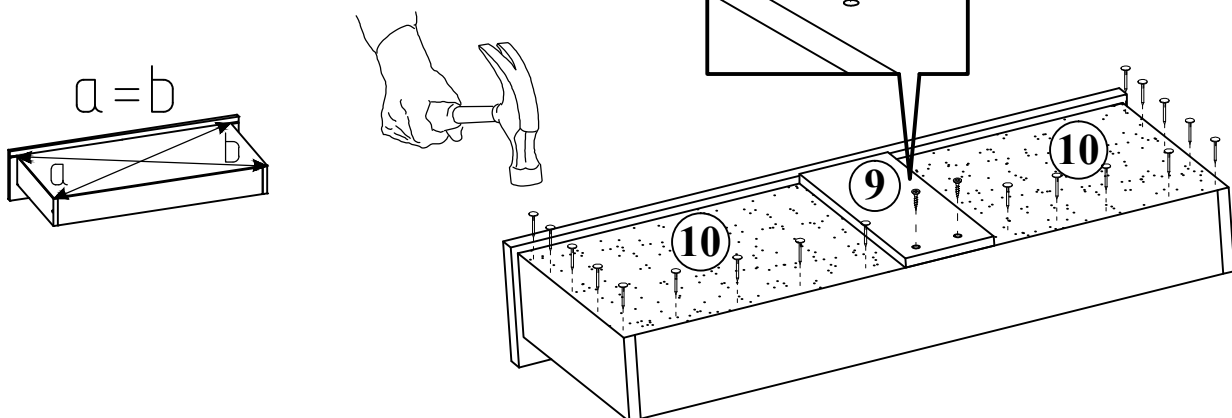
**8**

 <p>(M2) x3</p>	 <p>(E5) 3,5*16mm x12</p>	 <p>(A1) 8*30mm x12</p>
 <p>(R3) 1.4*25mm 0.05kg</p>	 <p>(E9) 3,5*40mm x6</p>	

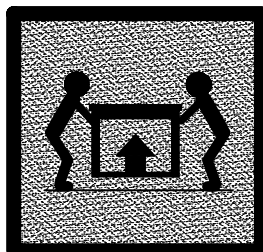
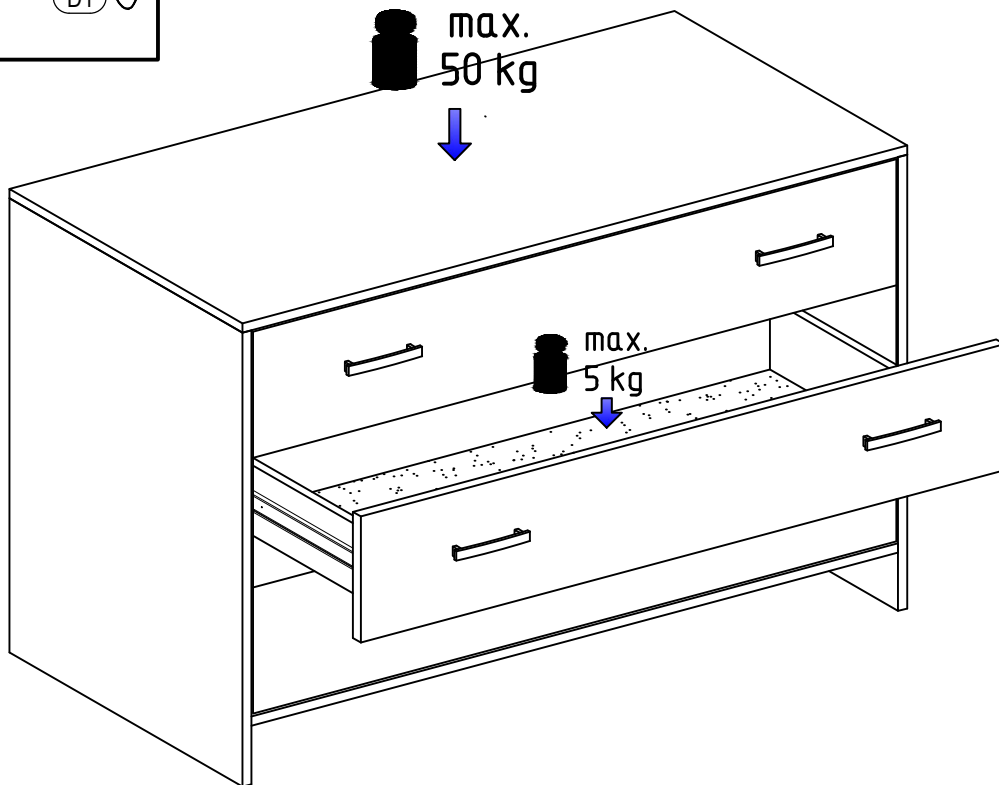
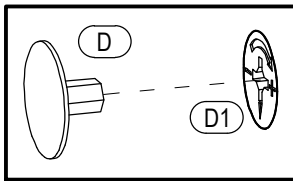
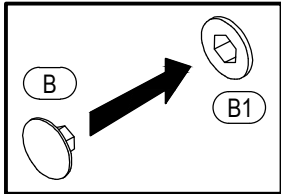
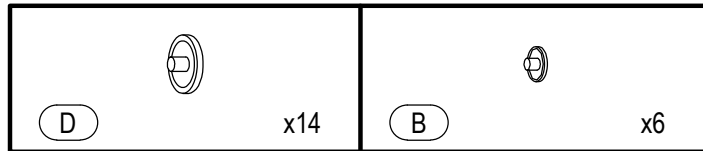
**8.1**  
**x3**



**8.2**  
**x3**



**9**



# BASYA NEW

