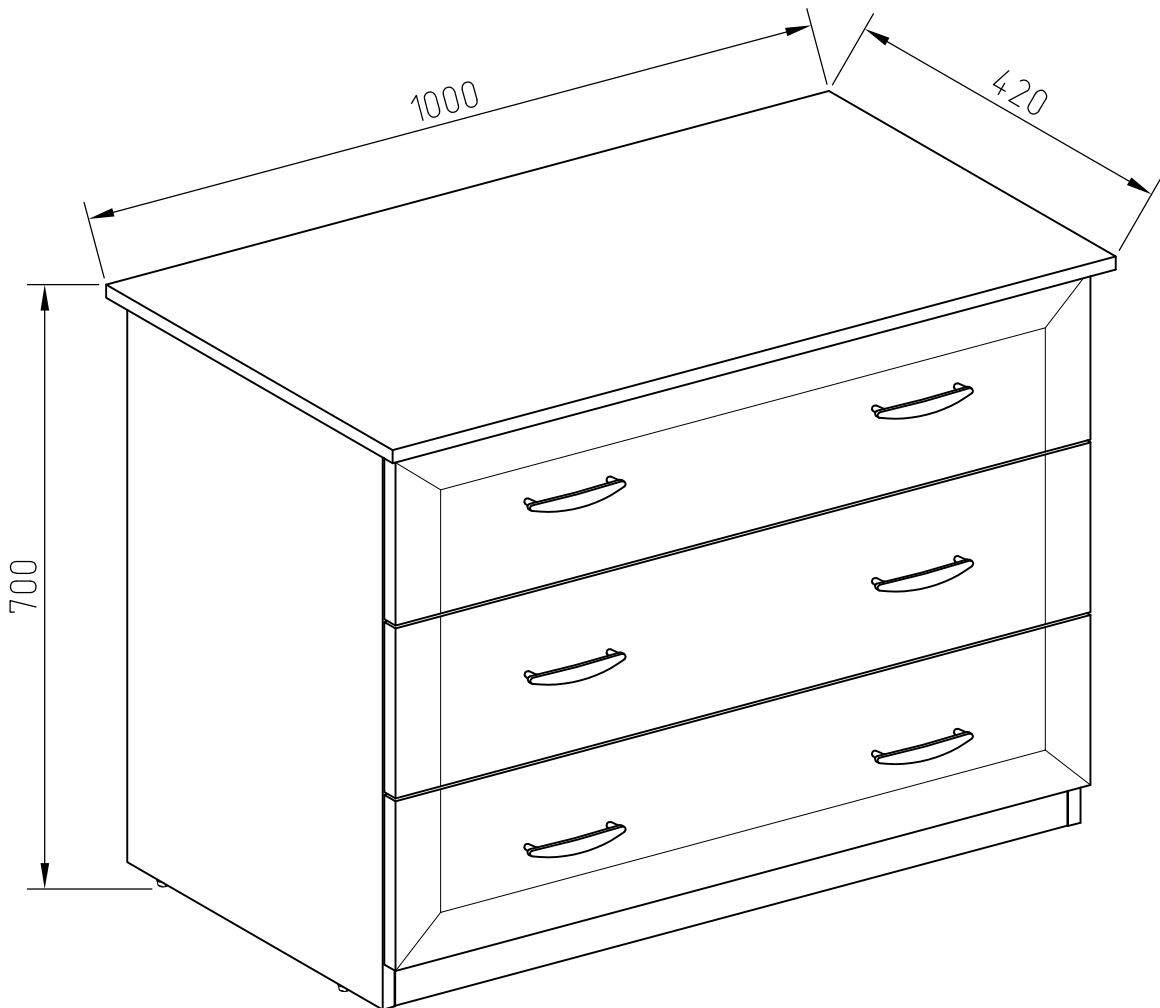


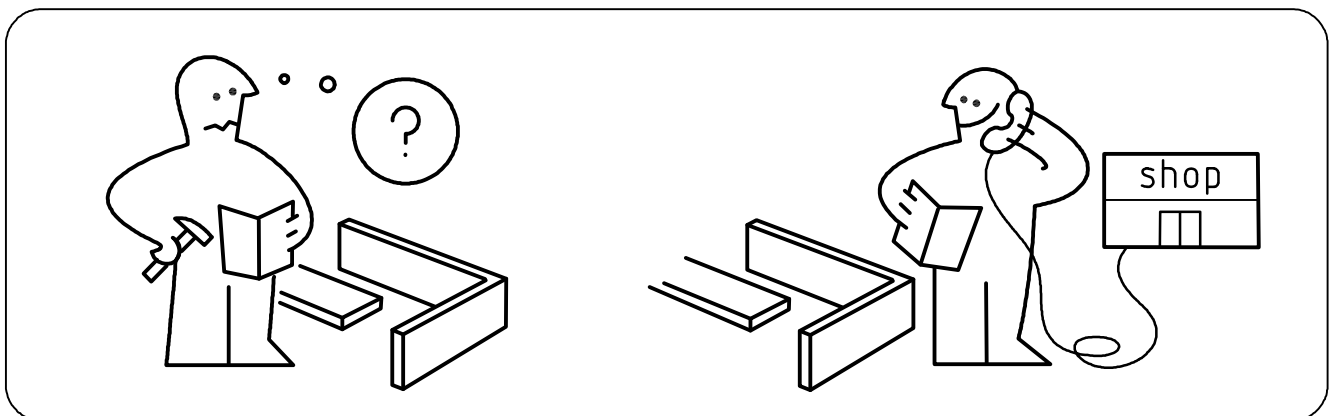
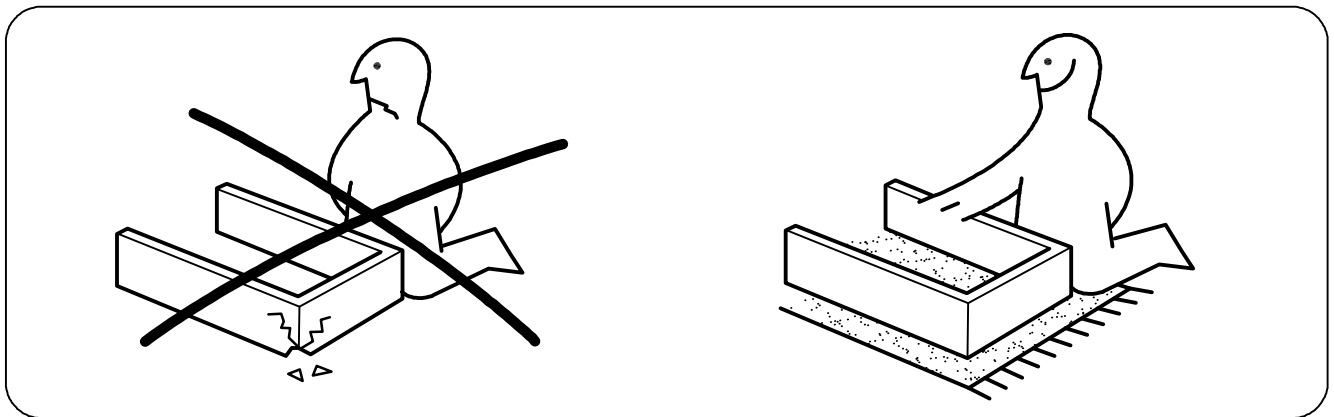
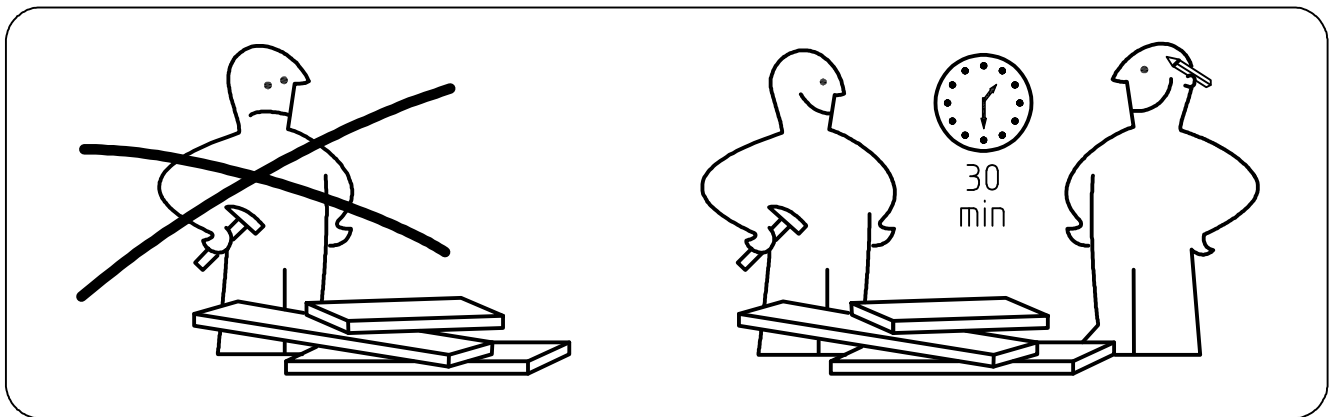
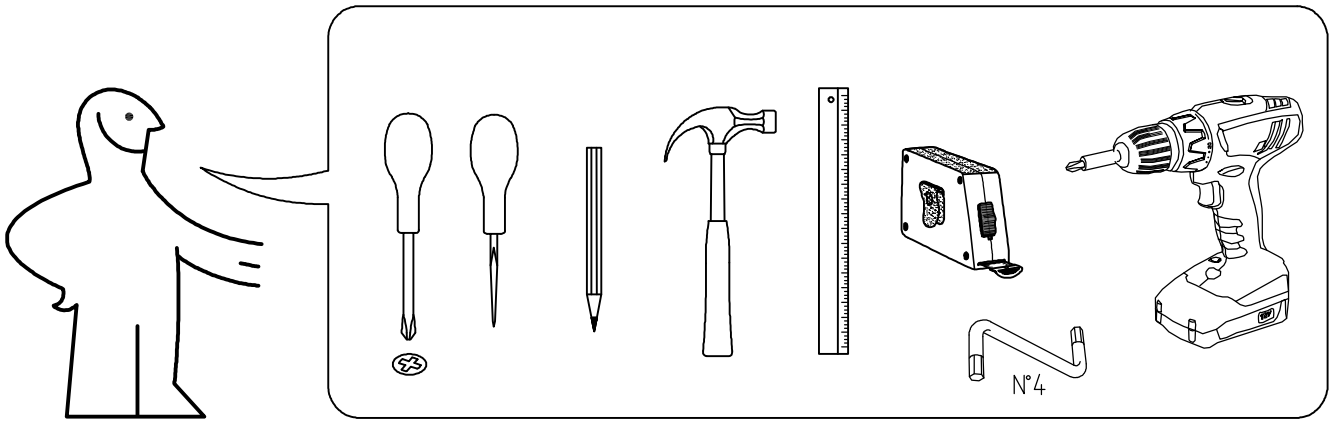
# **SONYA**

---




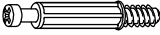



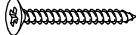

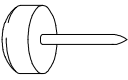
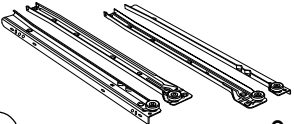


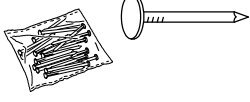
## **CHEST OF DRAWERS**



SONYA  
chest of drawers

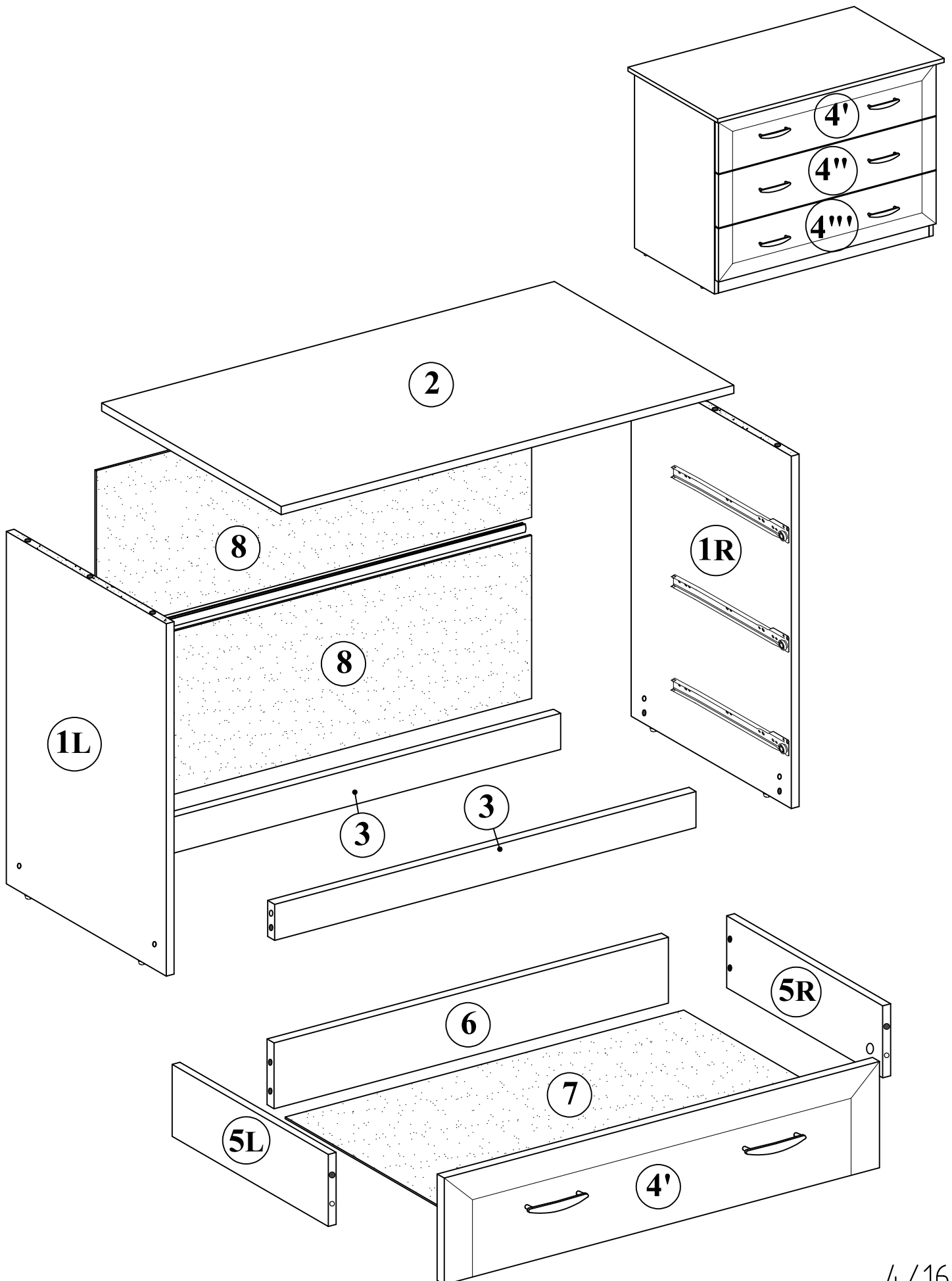


*SONYA*  
*chest of drawers*



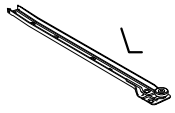
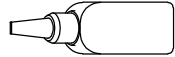
 <b>A1</b> 8*30mm x34	 <b>B</b> x4	 <b>B1</b> 6,3*50mm x4
 <b>C1</b> 5*30mm x6	 <b>D</b> x6	 <b>D1</b> 16mm x6
 <b>E2</b> 3*13mm x24	 <b>E16</b> 4,5*30mm x12	 <b>I12</b> x6
 <b>K1</b> x4	 <b>M1</b> L- 350mm x3	 <b>P4</b> L- 960mm x1
 <b>R1</b> x1	 <b>R2</b> 1.4*25MM 0.03kg	

No	a*b	x	N°→...
1R	680x380	x1	1
1L	680x380	x1	1
2	1000x420	x1	1
3	963x86	x2	1
4'	992x195	x1	1
4''	992x195	x1	1
4'''	992x195	x1	1
5R	350x96	x3	1
5L	350x96	x3	1
6	905x96	x3	1
7	936x350	x3	1
8	992x315	x2	1

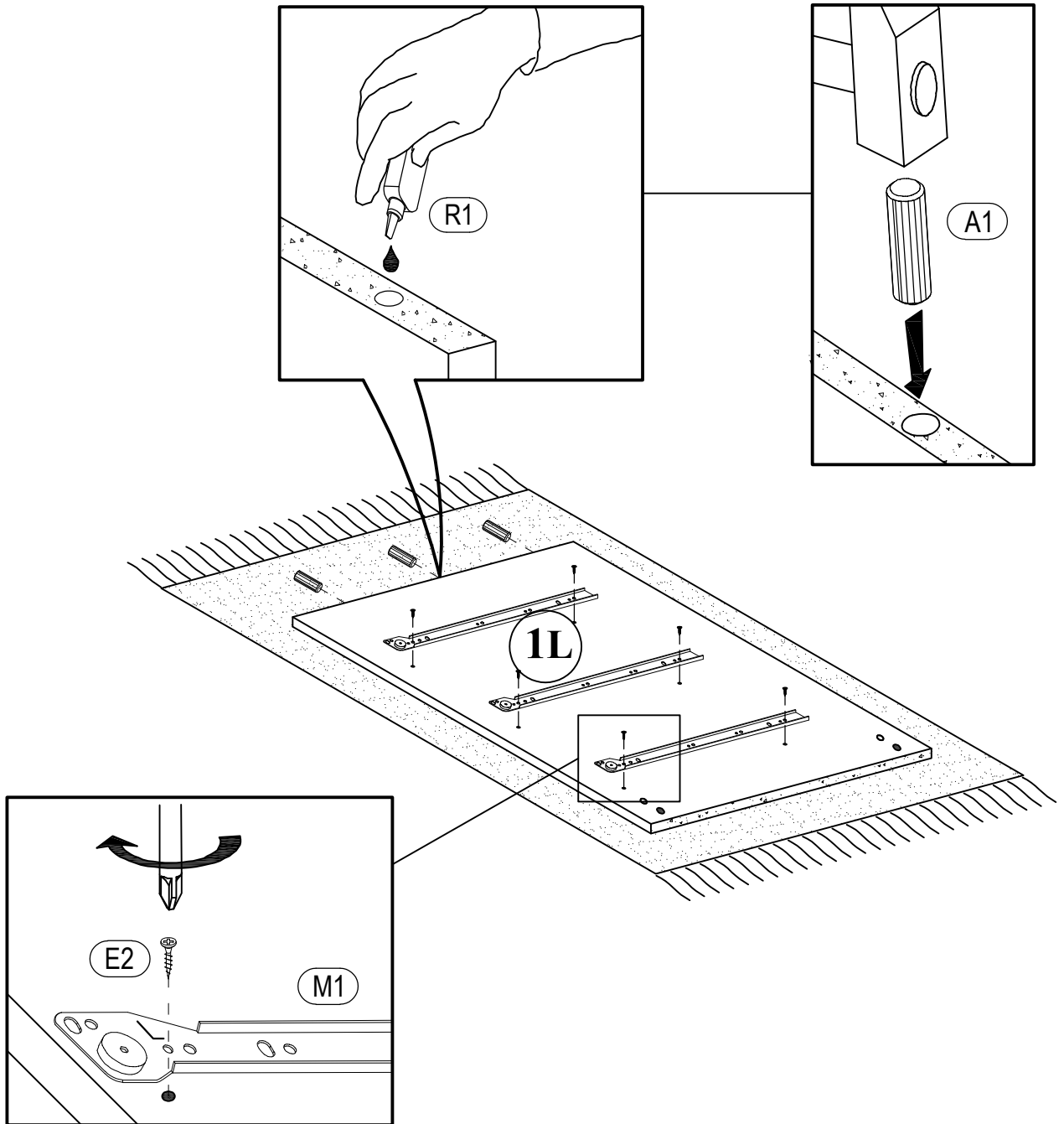
SONYA  
chest of drawers






*SONYA*  
*chest of drawers*

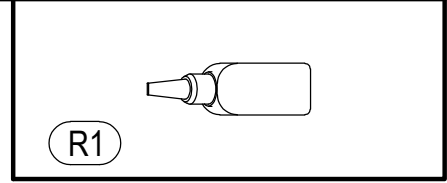
 (A1) 8*30mm x3	 (E2) 3*13mm x6	 (M1) x3
		 (R1)

**1**

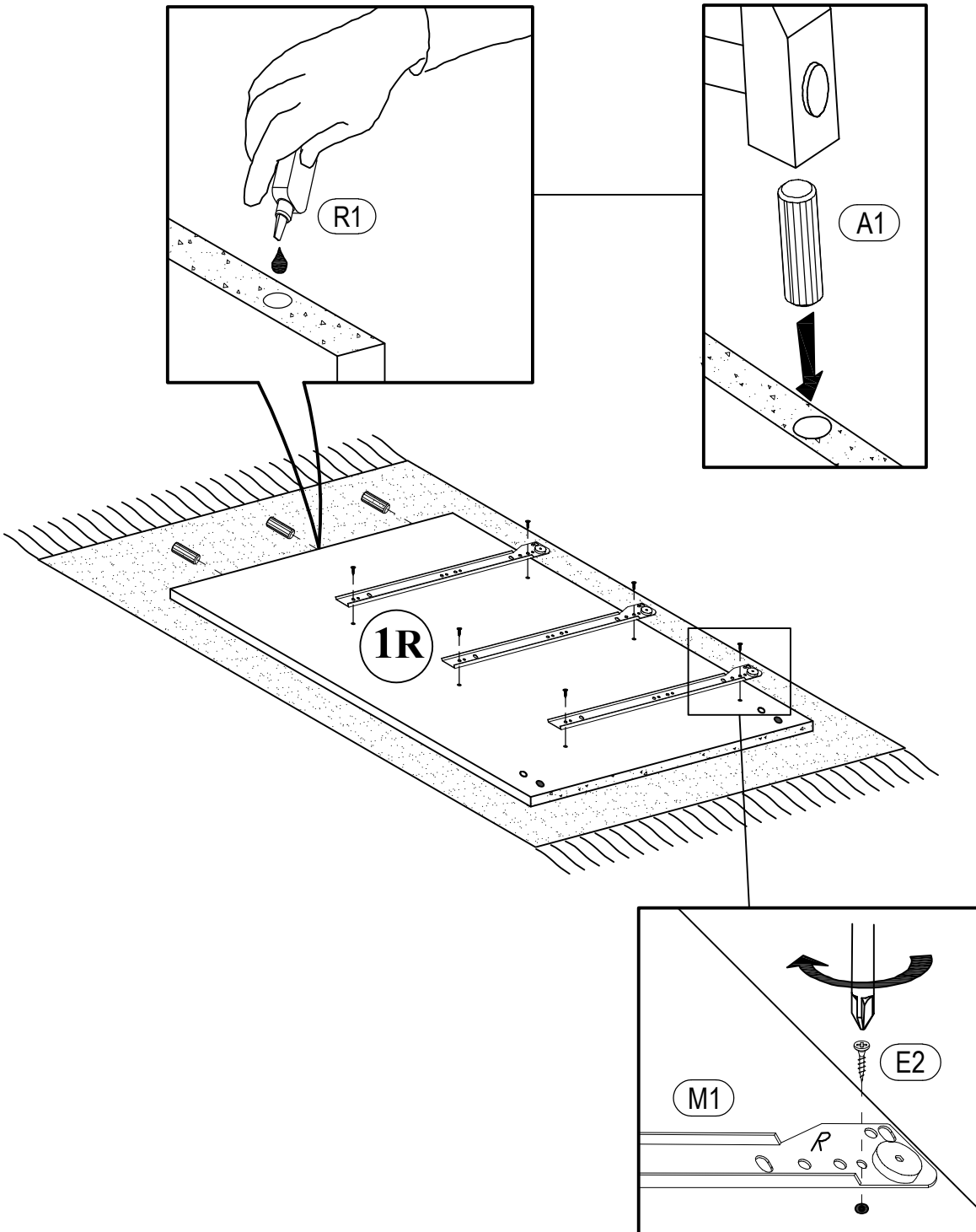


*SONYA*  
chest of drawers

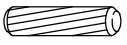

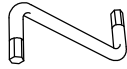
 (A1) 8*30mm x3	 (E2) 3*13mm x6	 (M1) R x3
---	---	--



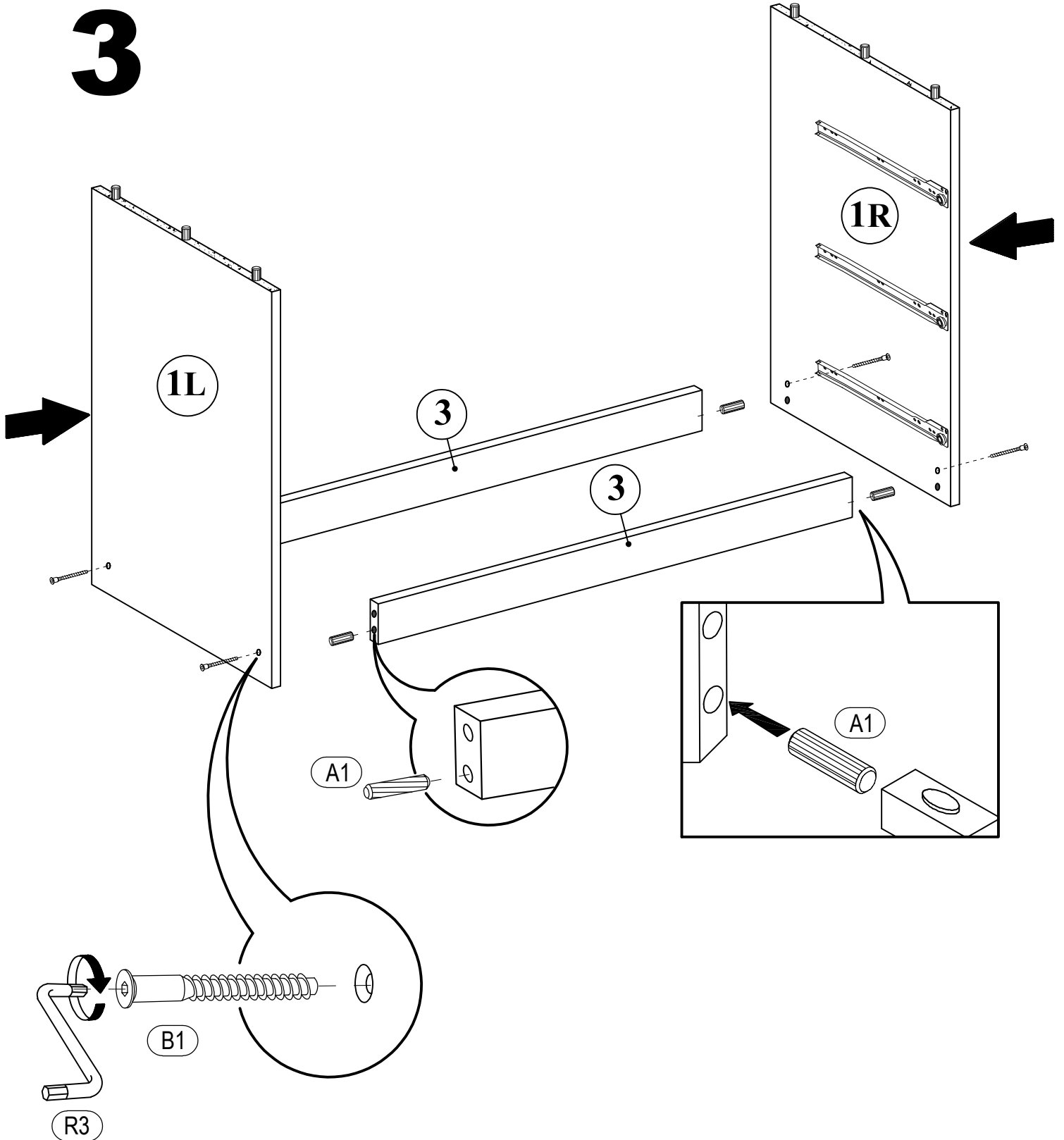
**2**



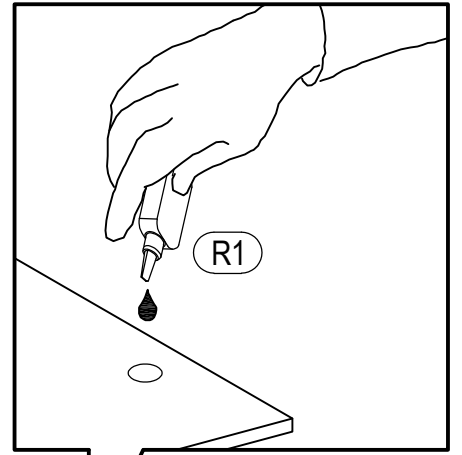
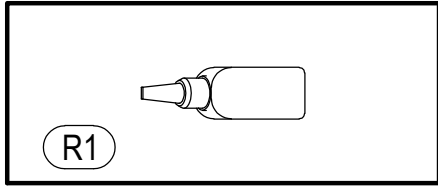
*SONYA*  
chest of drawers

 A1 8*30mm x4	 B1 6,3*50mm x4	 R3
---	---	---

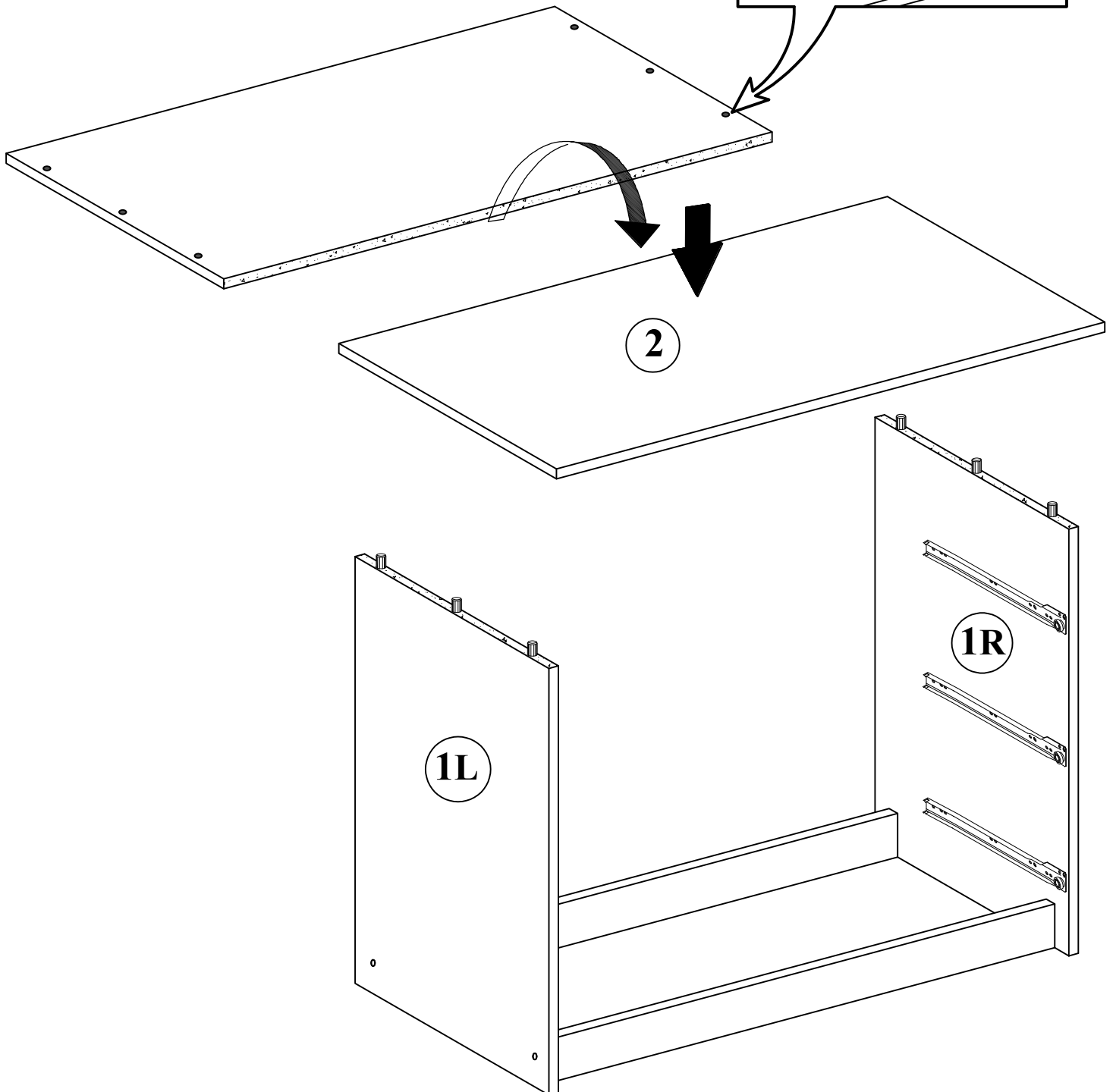
**3**



SONYA  
*chest of drawers*

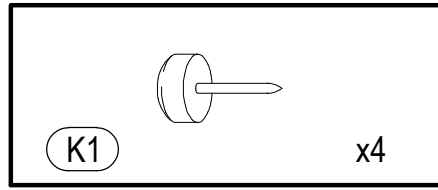


**4**

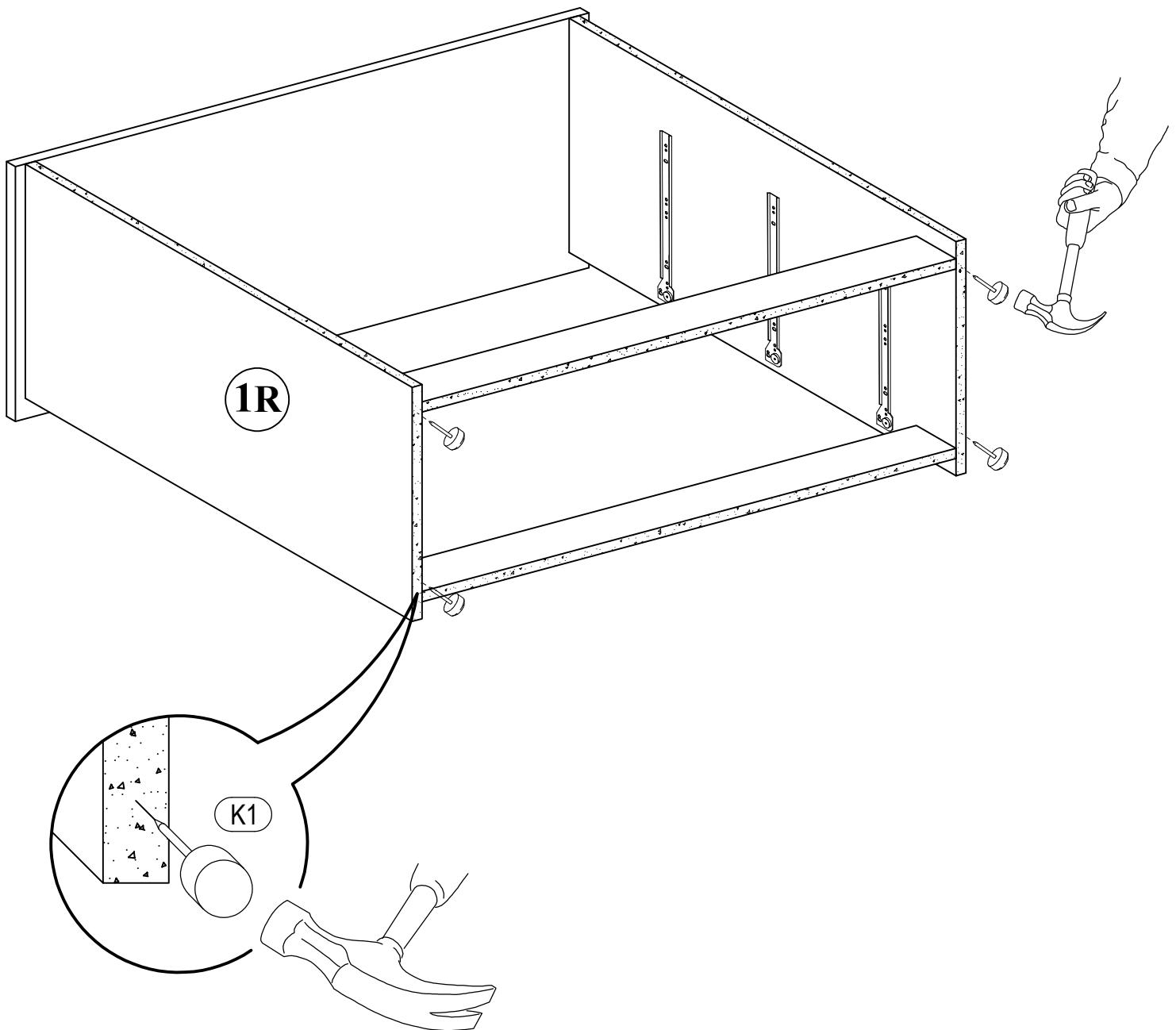




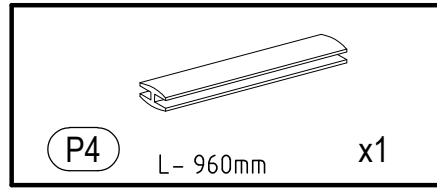
SONYA  
chest of drawers



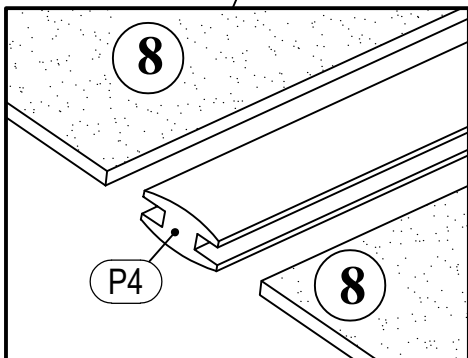
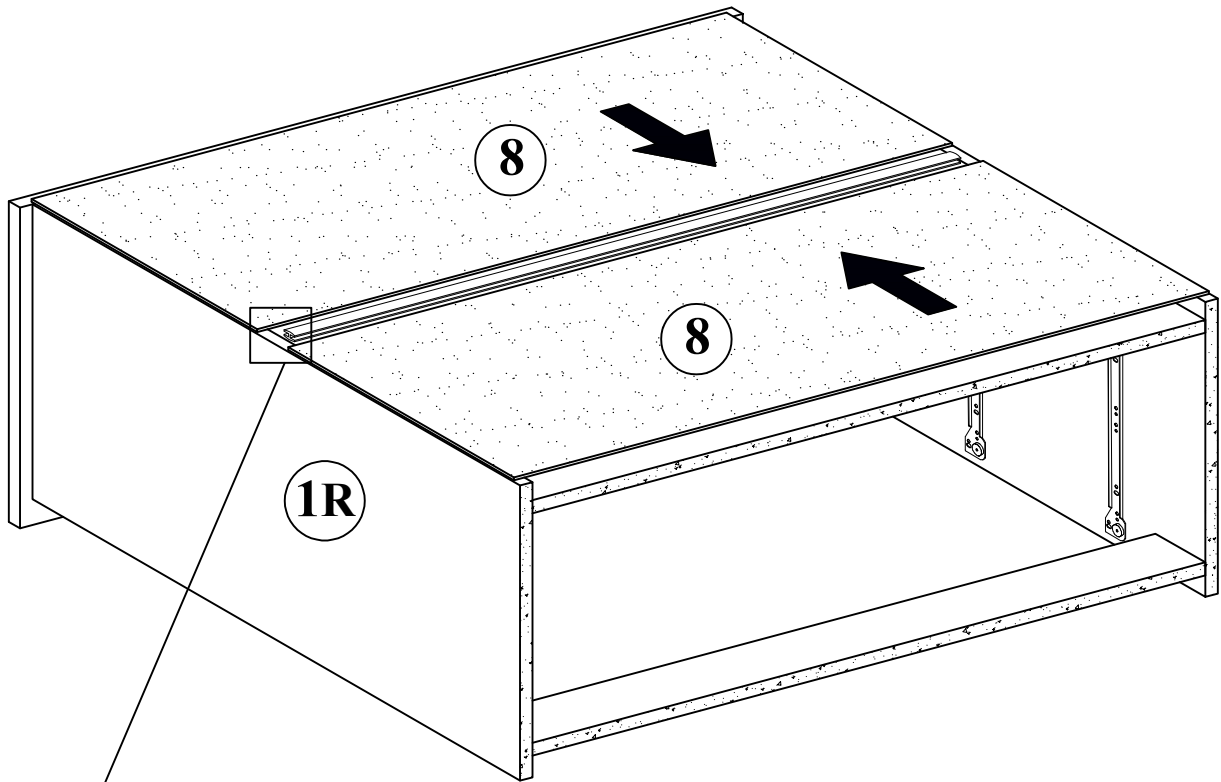
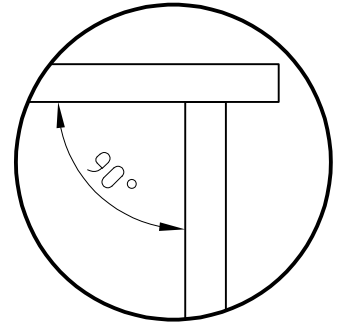
**5**



*SONYA*  
chest of drawers

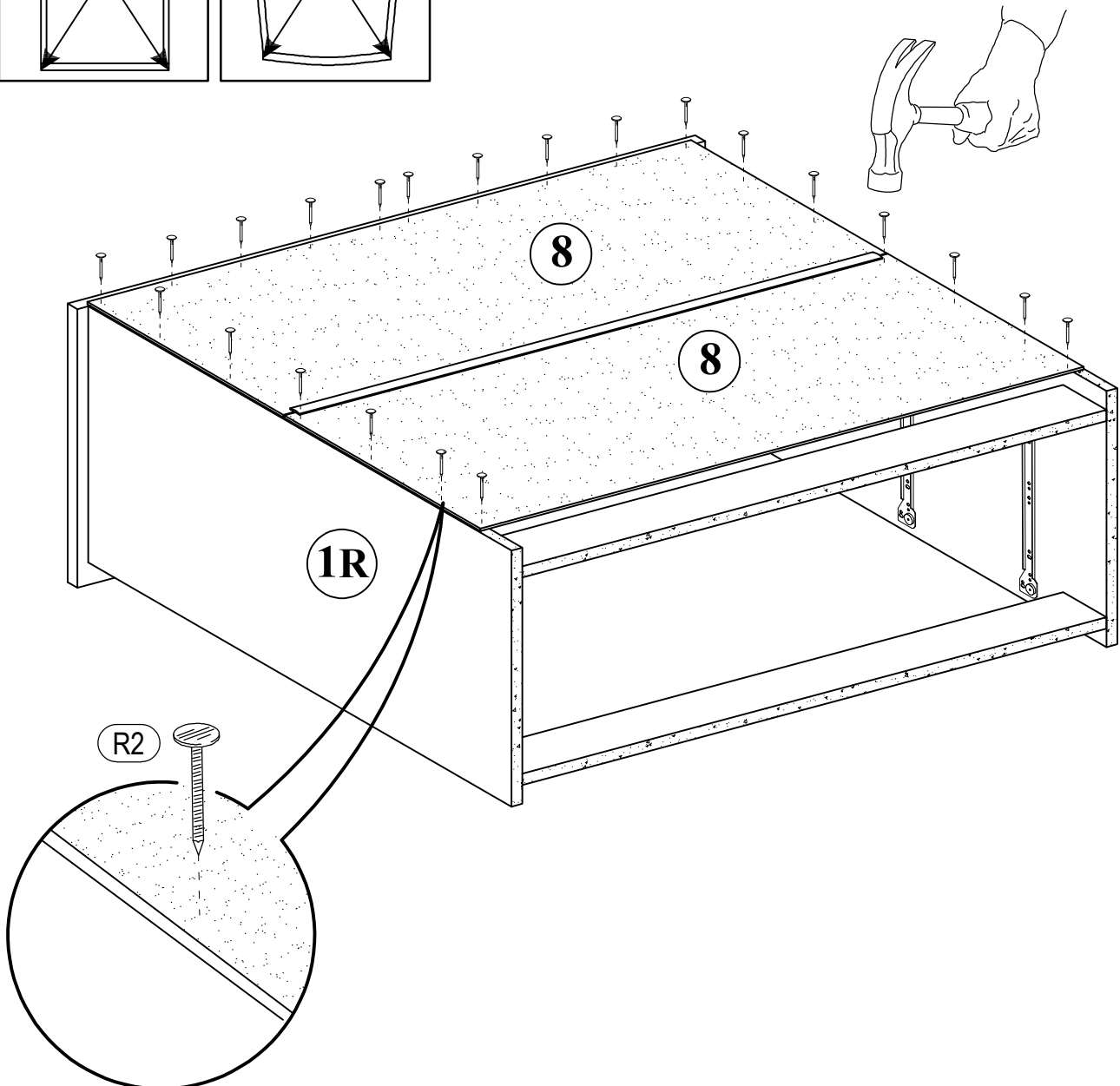
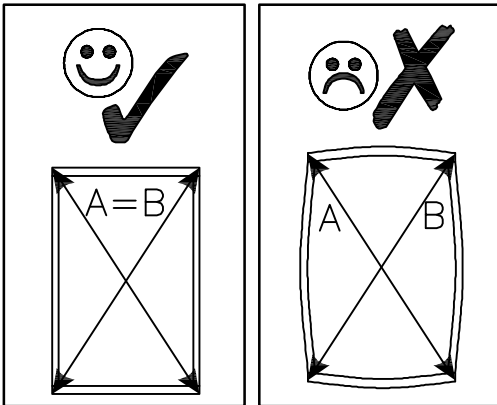
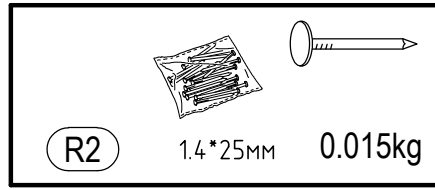


**6**







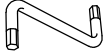
*SONYA*  
*chest of drawers*

7

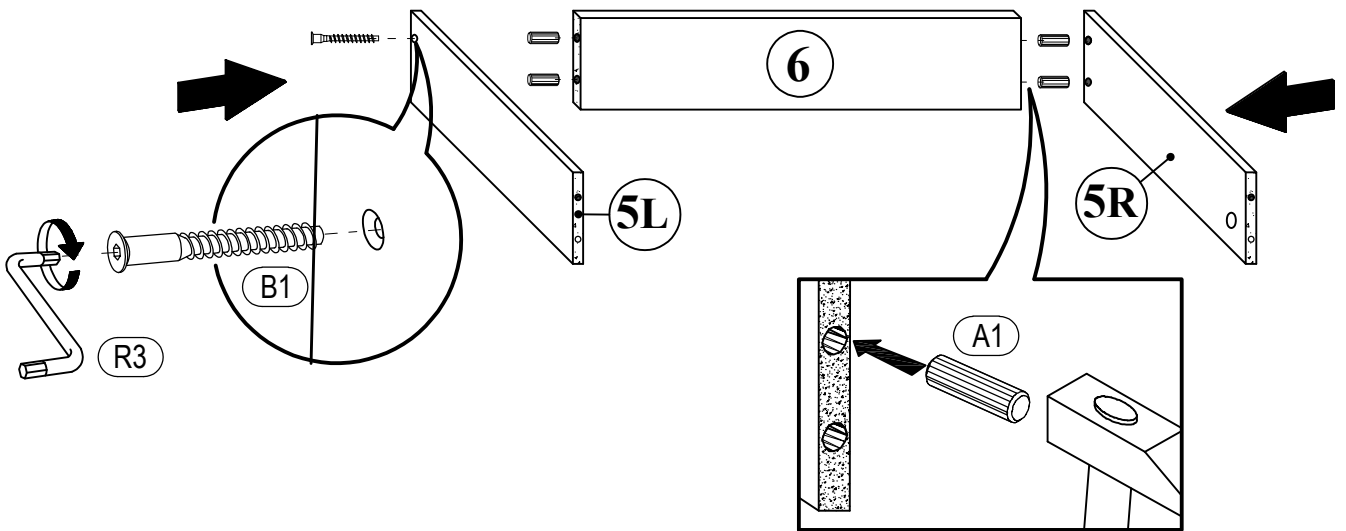


*SONYA*  
chest of drawers

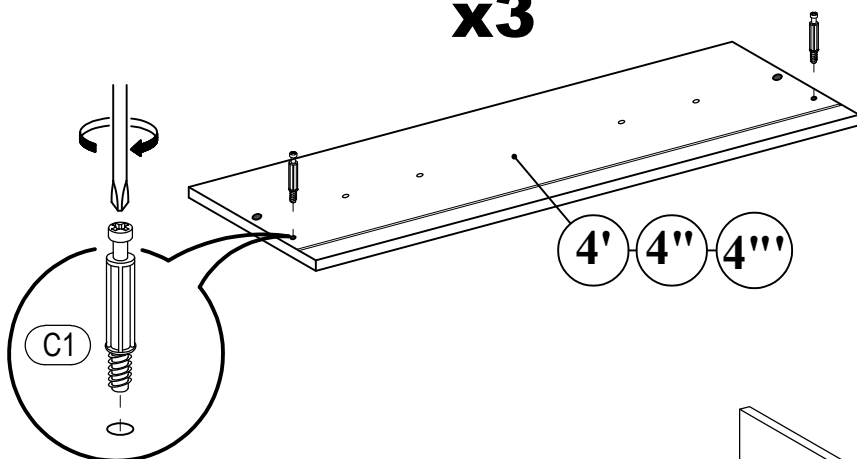
**8**

 <b>(A1)</b> 8*30mm x12	 <b>(C1)</b> 5*30mm x6	 <b>(E16)</b> 4,5*30mm x12
 <b>(I12)</b> x6	 <b>(R3)</b>	

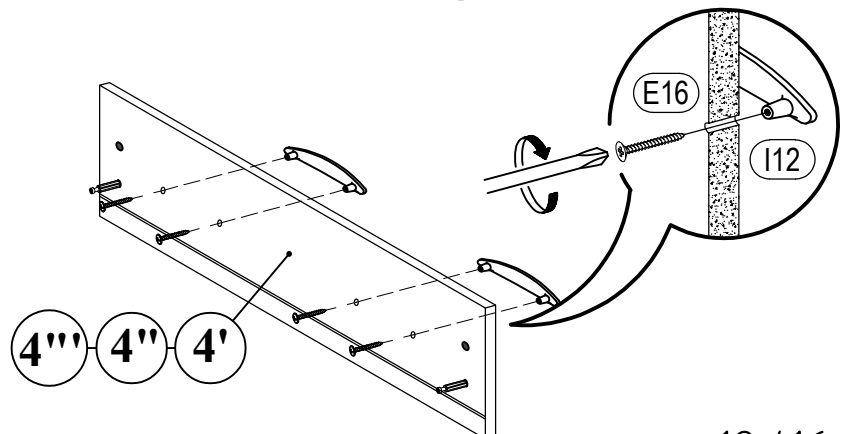
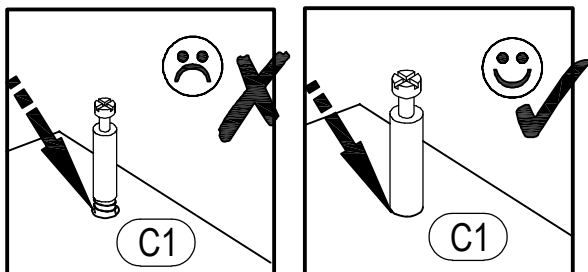
**8.1**  
**x3**





**8.2**  
**x3**



**8.3**  
**x3**

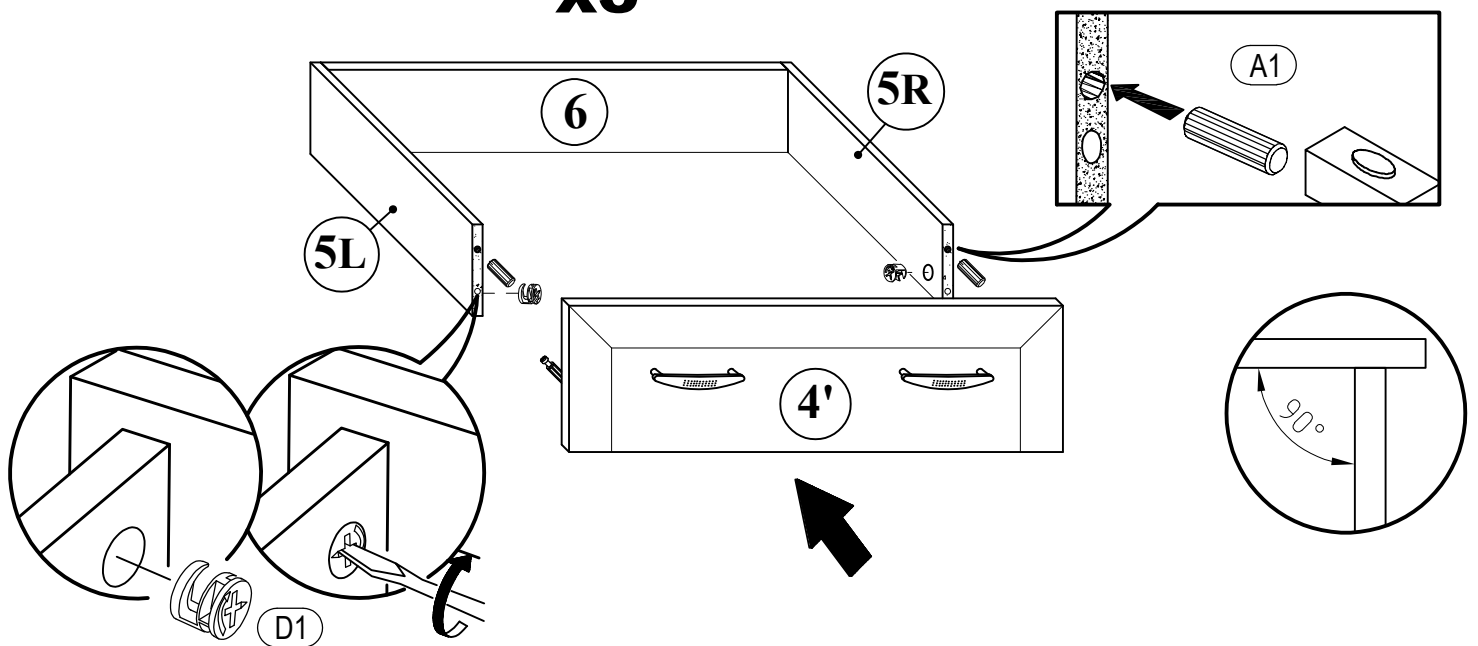


*SONYA*  
chest of drawers

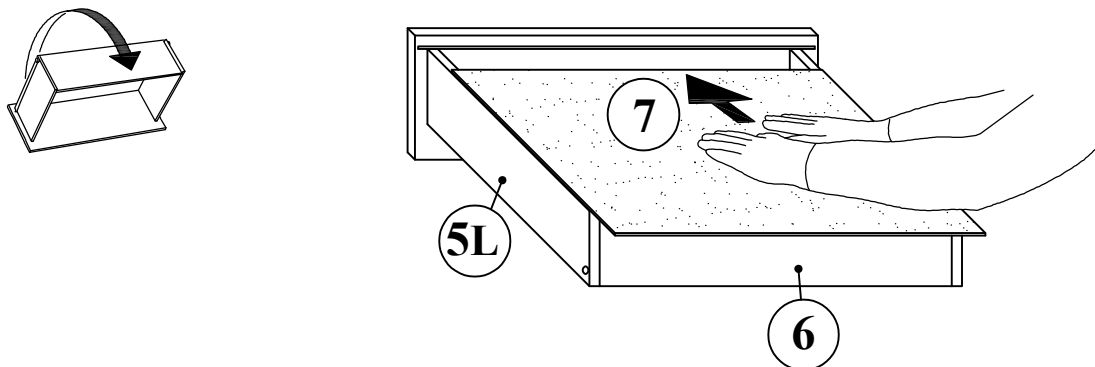
 A1 8*30mm x6	 D1 16mm x6
---	---

8

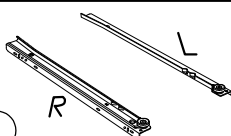

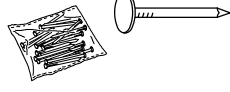
**8.4**  
**x3**



**8.5**  
**x3**

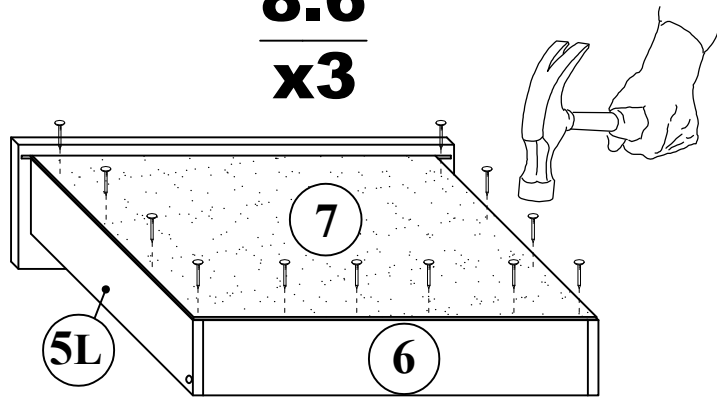
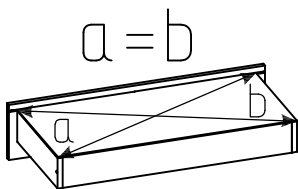


*SONYA*  
*chest of drawers*

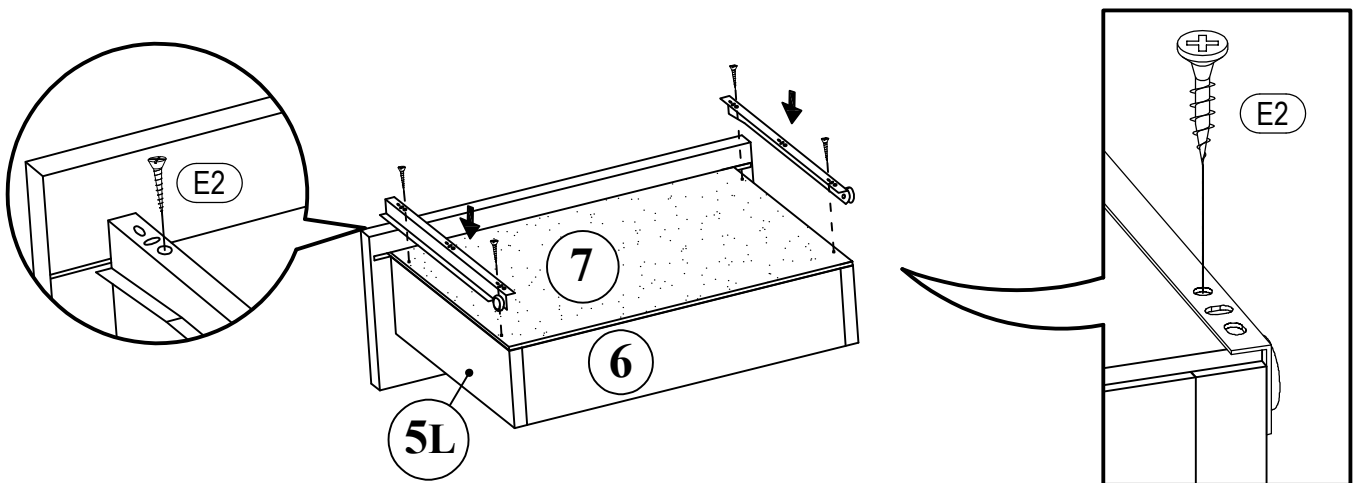
 <p>(M1) x6</p>	 <p>(E2) 3*13mm x12</p>	 <p>(R2) 1.4*25MM 0.015kg</p>
--	--	--

**8**

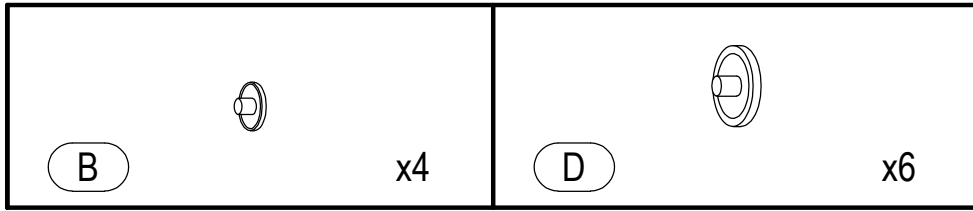
**8.6**  
**x3**



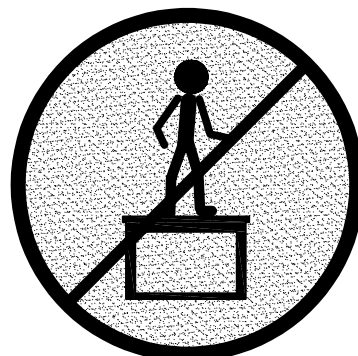
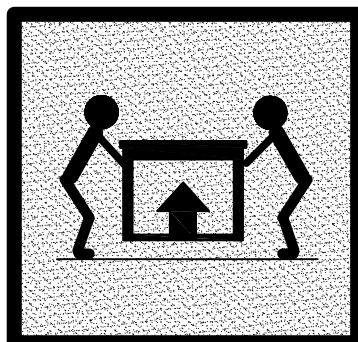
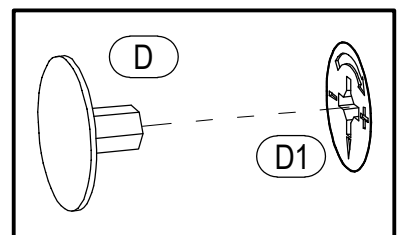
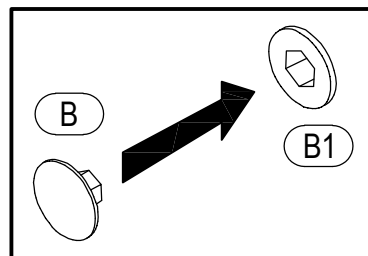
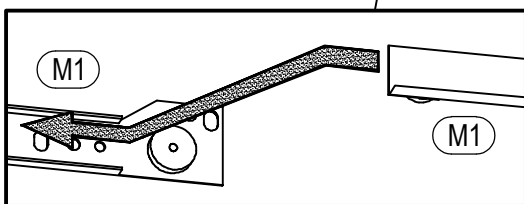
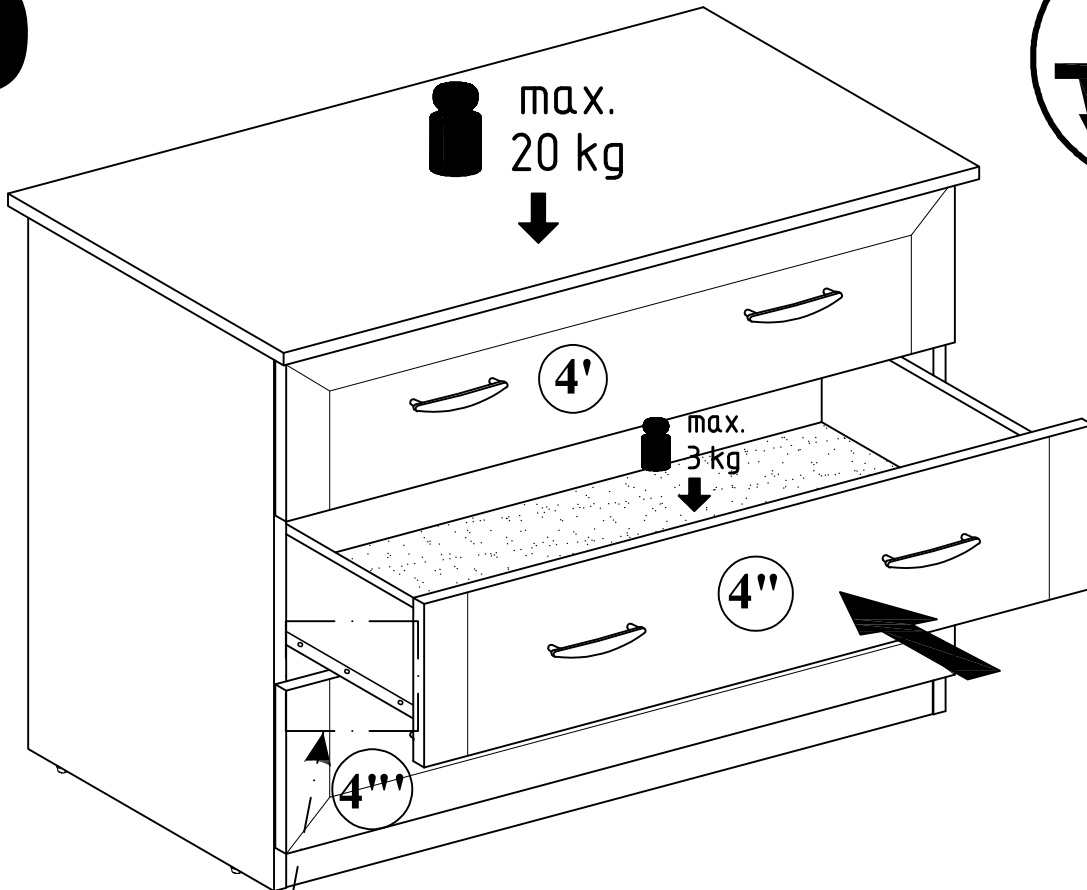
**8.7**  
**x3**



*SONYA*  
chest of drawers



9



SONYA  
chest of drawers

