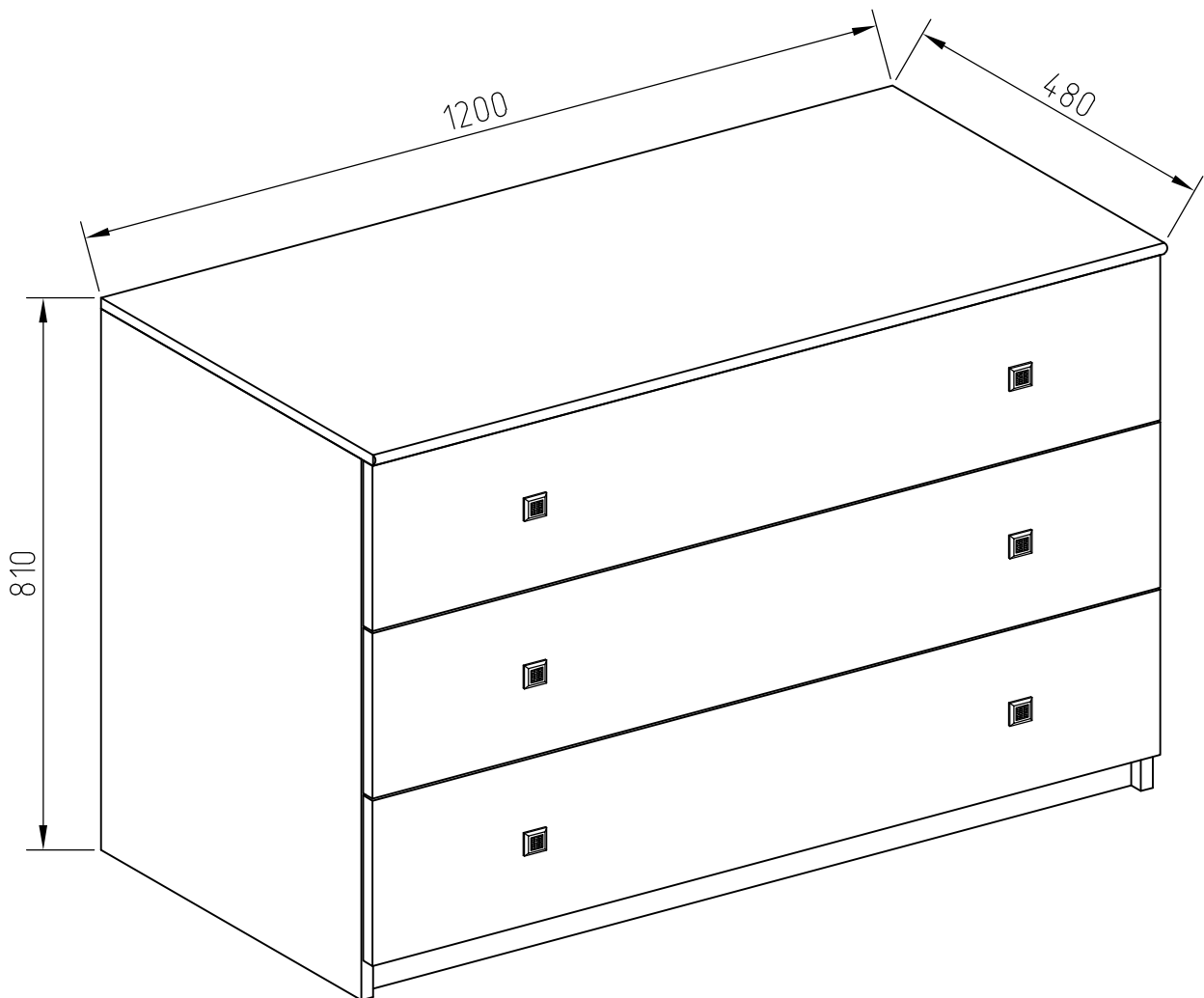


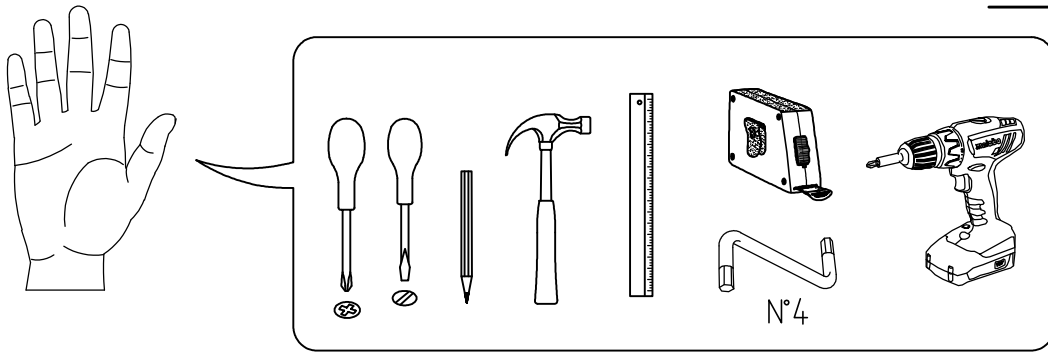



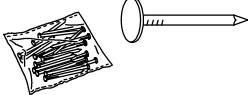



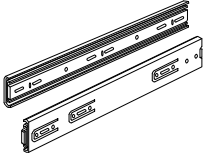



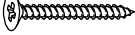
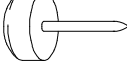

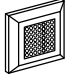


# **FELICIA NEW**

---

## **CHEST OF DRAWERS**

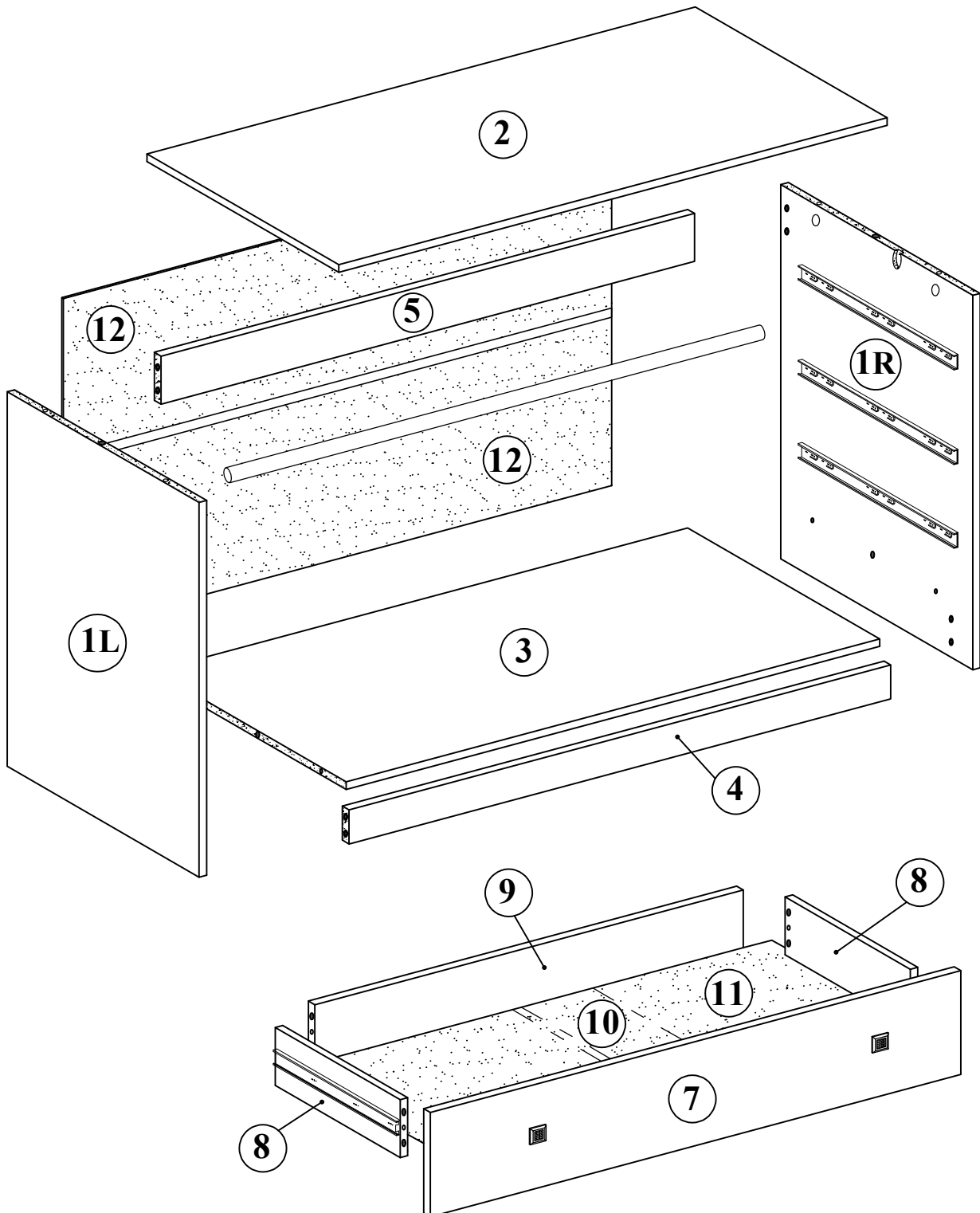
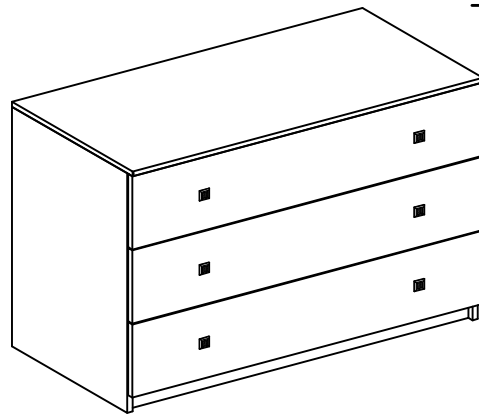




 <b>(B1)</b> 6,3*50mm x6	 <b>(R2)</b> 1.4*25MM 0.06kg	 <b>(D)</b> x14
 <b>(C1)</b> 5*30mm x14	 <b>(D1)</b> 16mm x14	 <b>(M2)</b> x3
 <b>(E5)</b> 3,5*16mm x24	 <b>(A1)</b> 8*30mm x42	 <b>(R1)</b> x1
 <b>(E8)</b> 3,5*40mm x6	 <b>(K1)</b> x5	 <b>(P1)</b> d-25MM L-1142 x1
 <b>(I12)</b> x6	 <b>(G4)</b> M 4*20mm x6	 <b>(H1)</b> M 4 x6




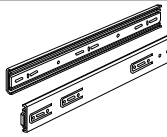

<b>No</b>	<b>a*b</b>	<b>x</b>
1	792x440	2
2	1200x460	1
3	1120x440	1
4	1120x50	1
5	1120x100	1
7	1152x242	3
8	400x120	6
9	1058x120	3
10	400x120	3
11	1092x403	3
12	1152x376	2
	L-1118MM	1
	L-1142MM	1

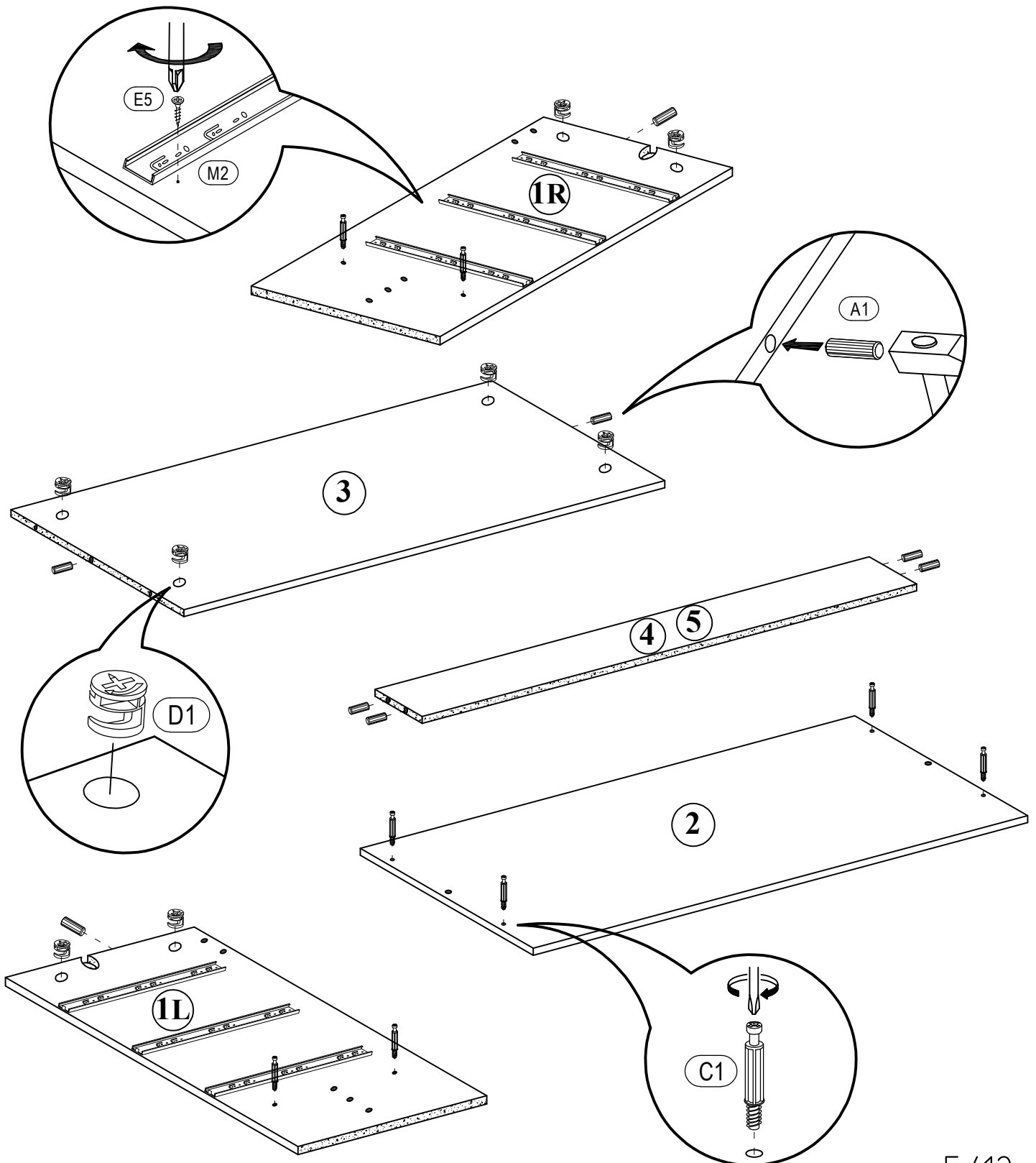
# FELICIA NEW



# FELICIA NEW

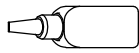
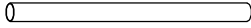
# 1

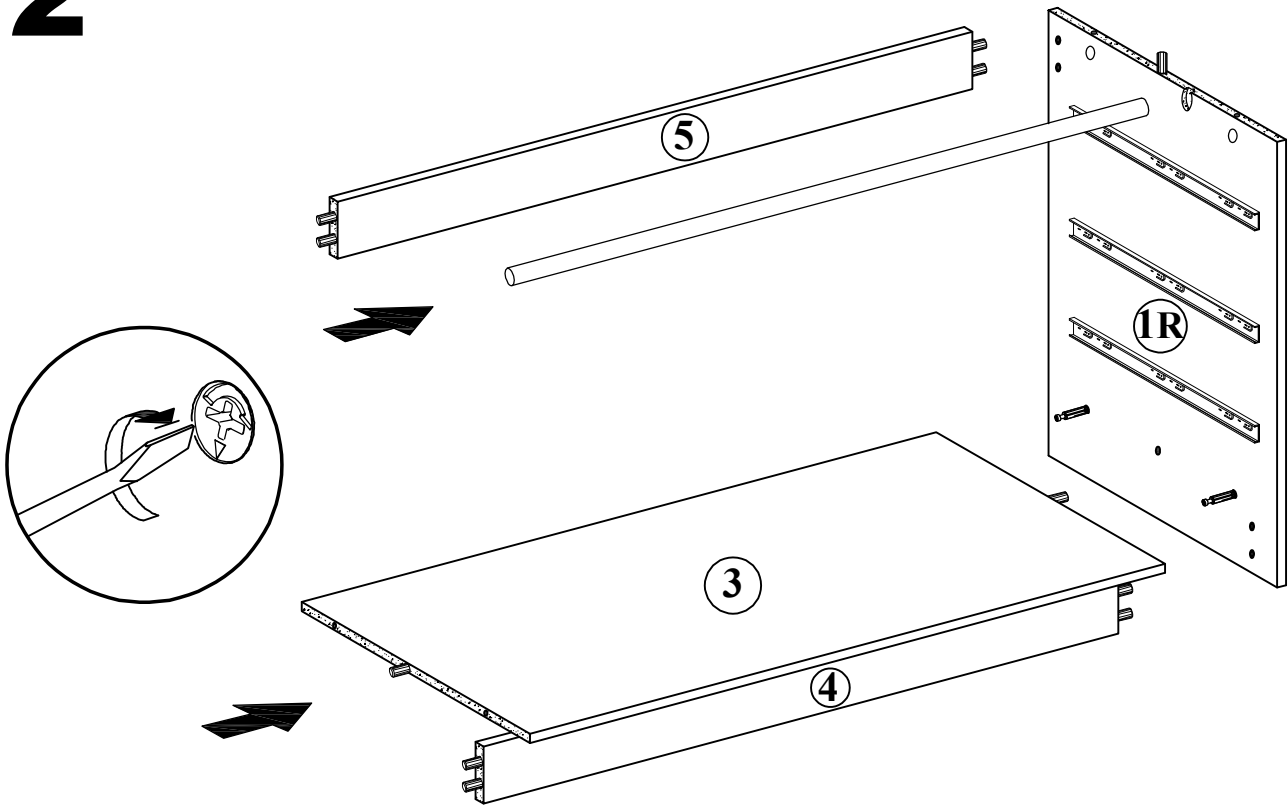
 (C1) 5*30mm x8	 (D1) 16mm x8	 (A1) 8*30mm x12
 (M2) x3	 (E5) 3,5*16mm x12	



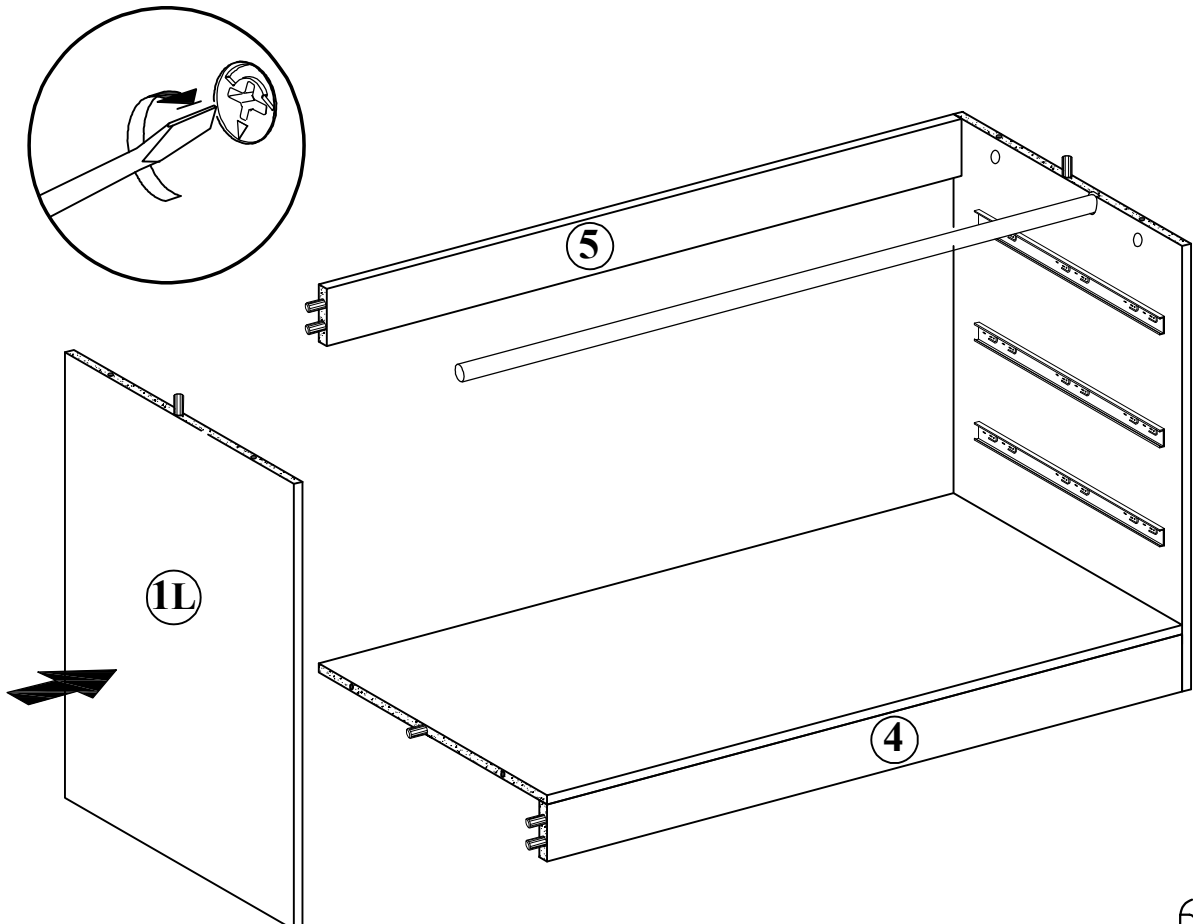
# FELICIA NEW

## 2

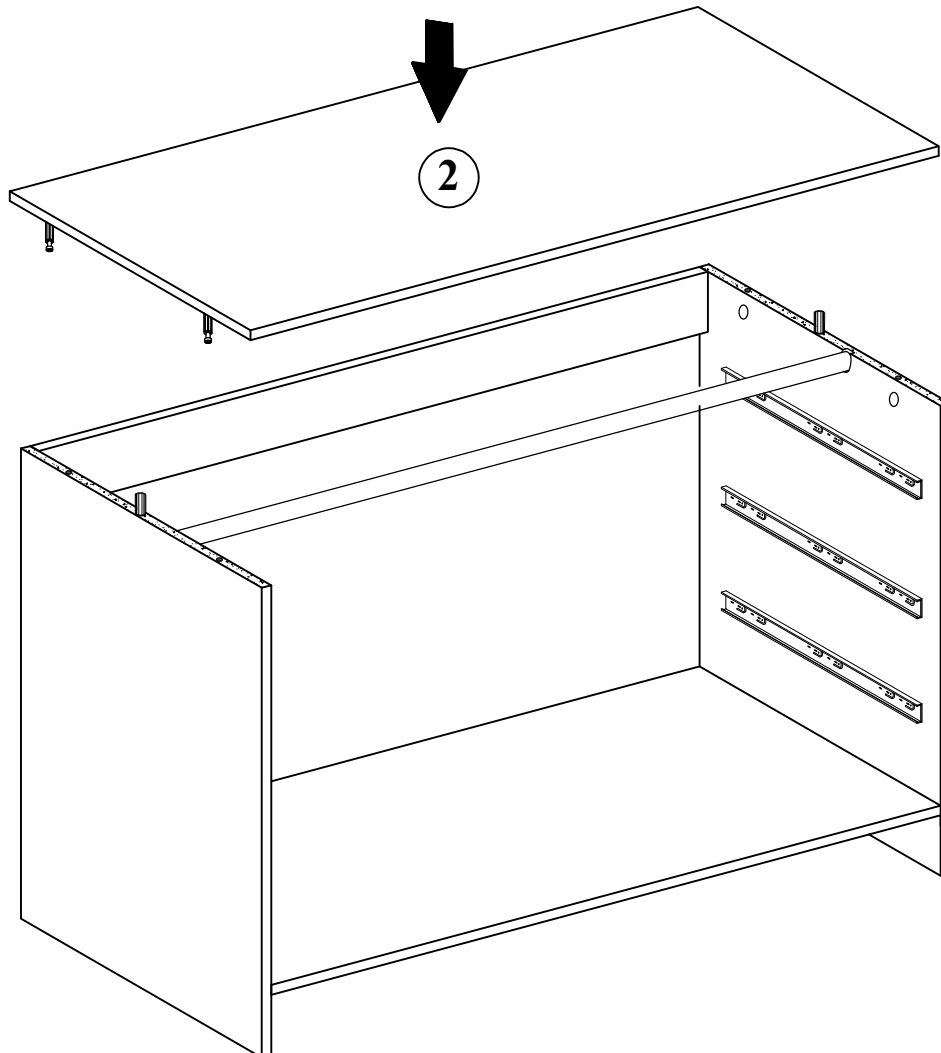
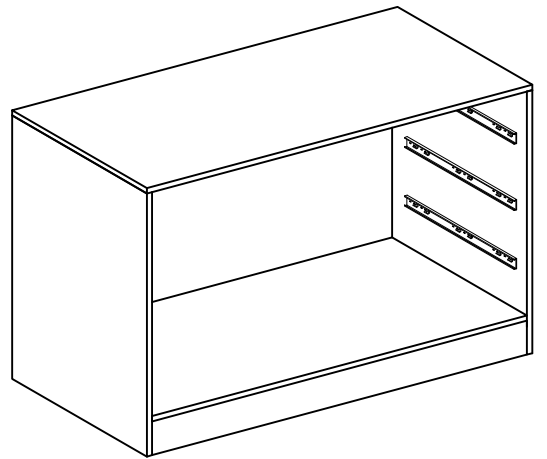
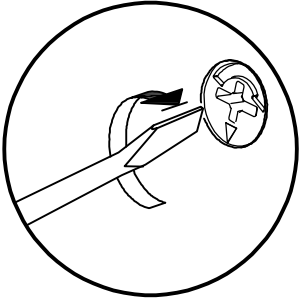
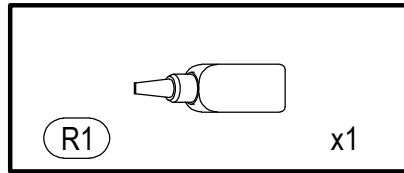
 R1 x1	 d-25MM P1 L-1142 x1
--	---



## 3

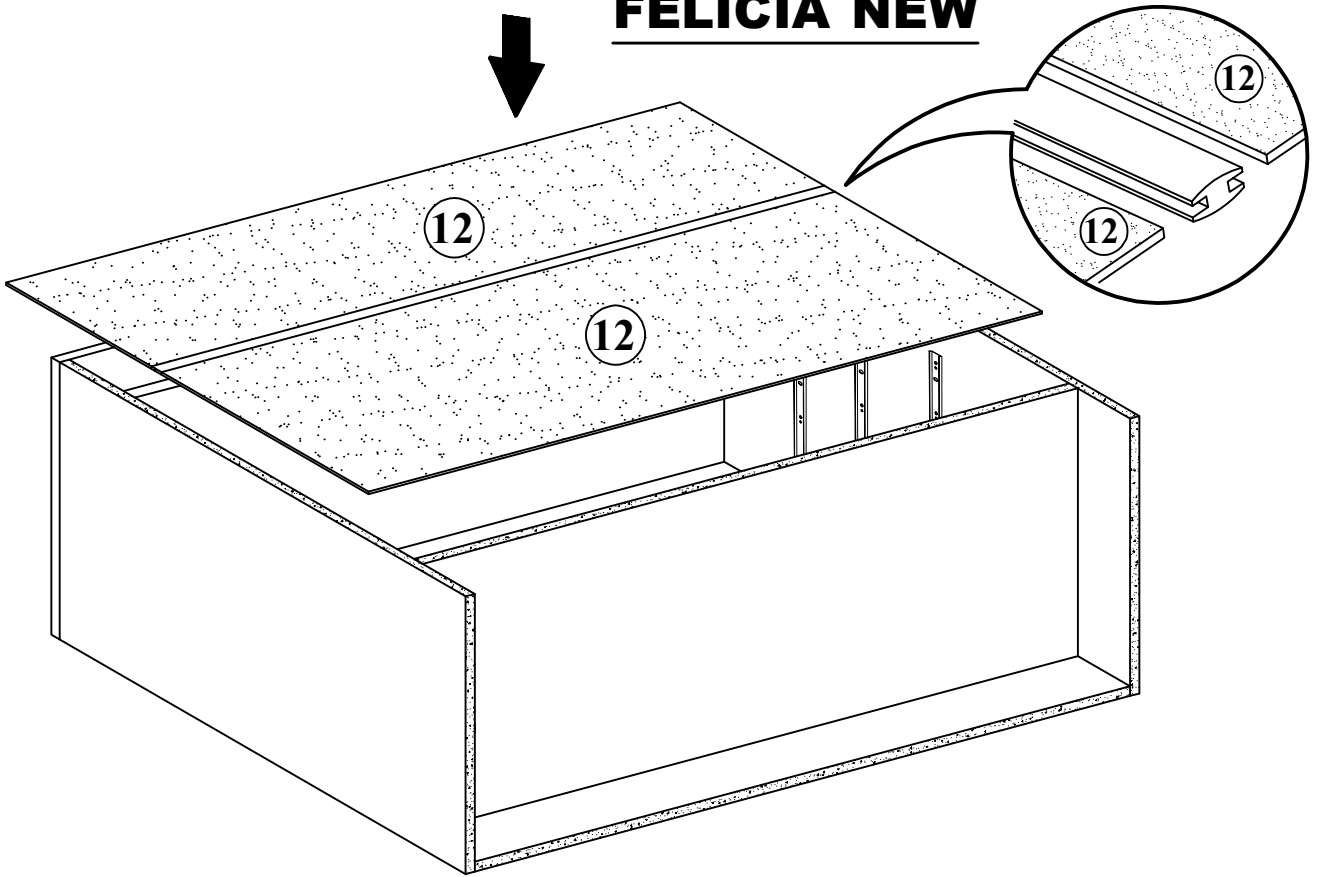


**4**

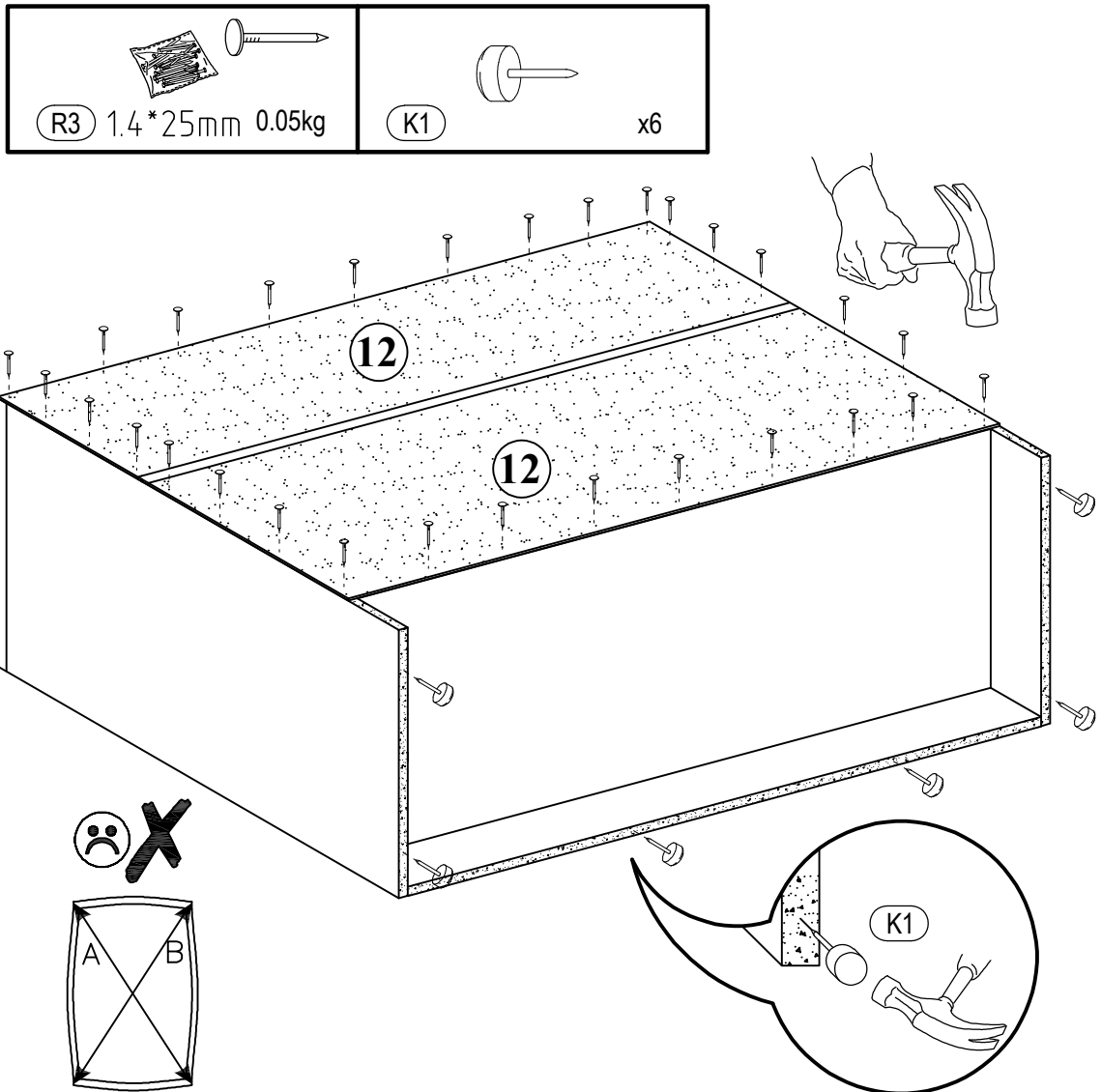


# FELICIA NEW

## 5




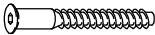
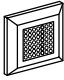



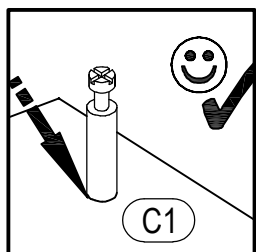
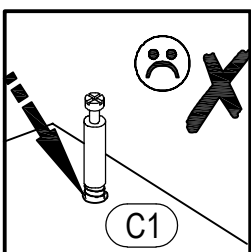
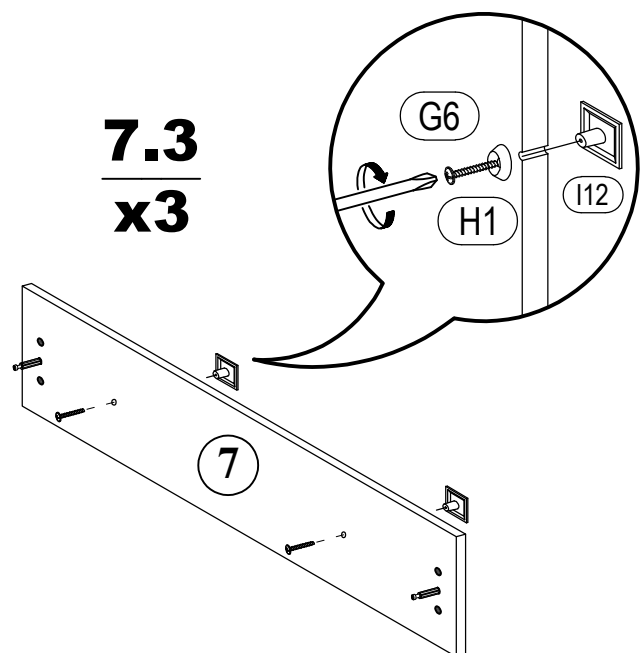
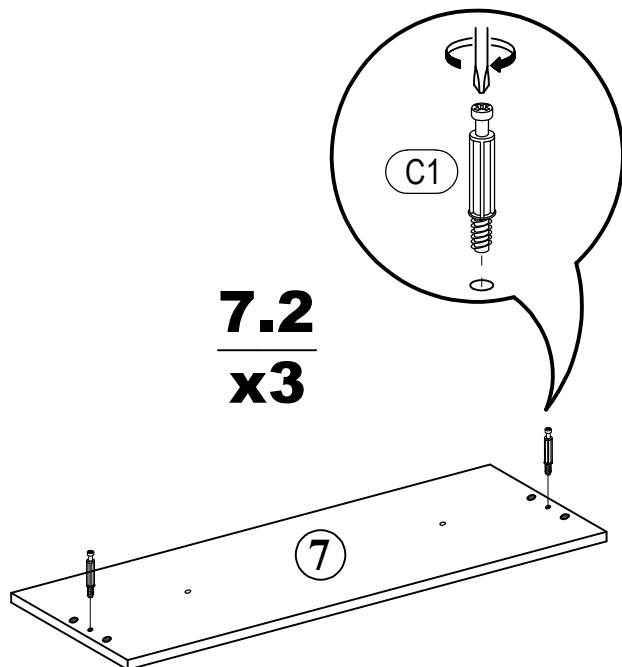
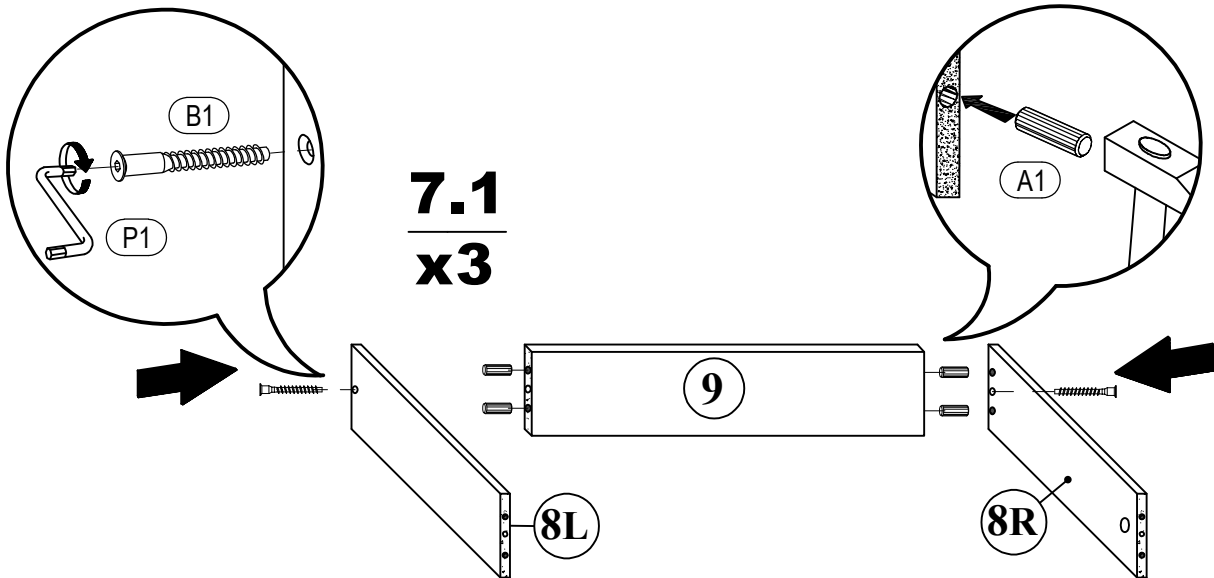
## 6



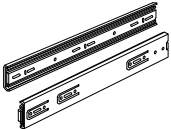



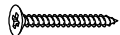


# 7

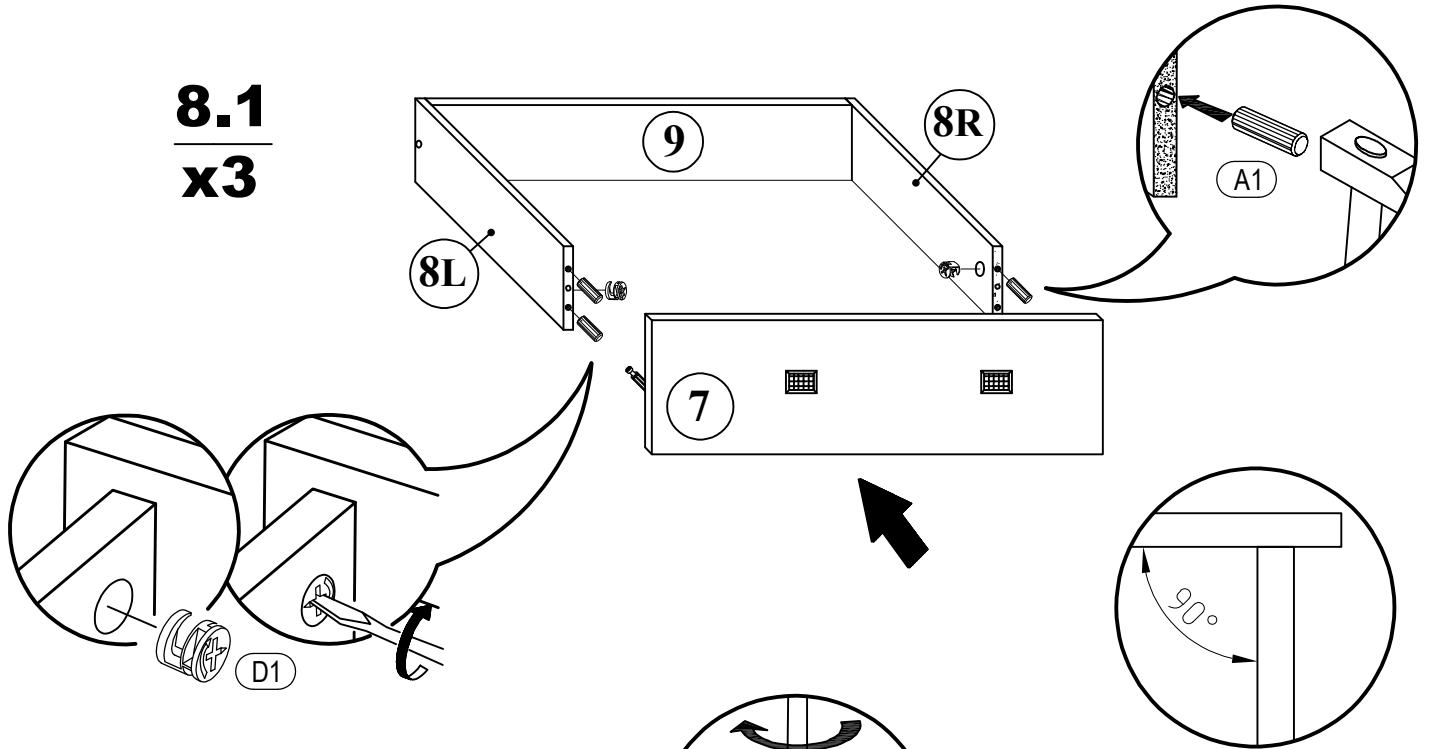
 (C1) 5*30mm x6	 (H1) M 4 x3	 (A1) 8*30mm x12
 (B1) 6,3*50mm x6	 (I12) x3	 (G6) M 4*20mm x3



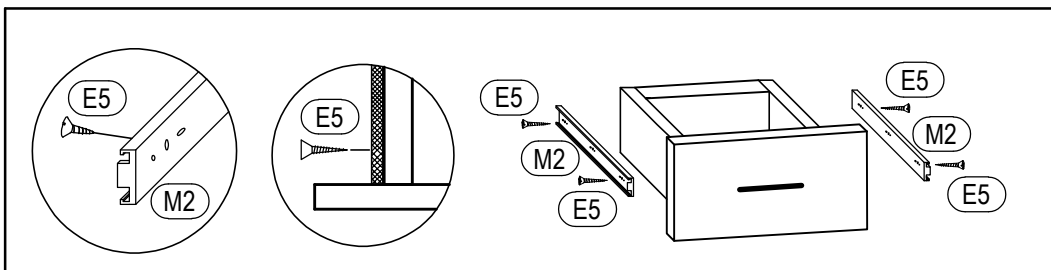
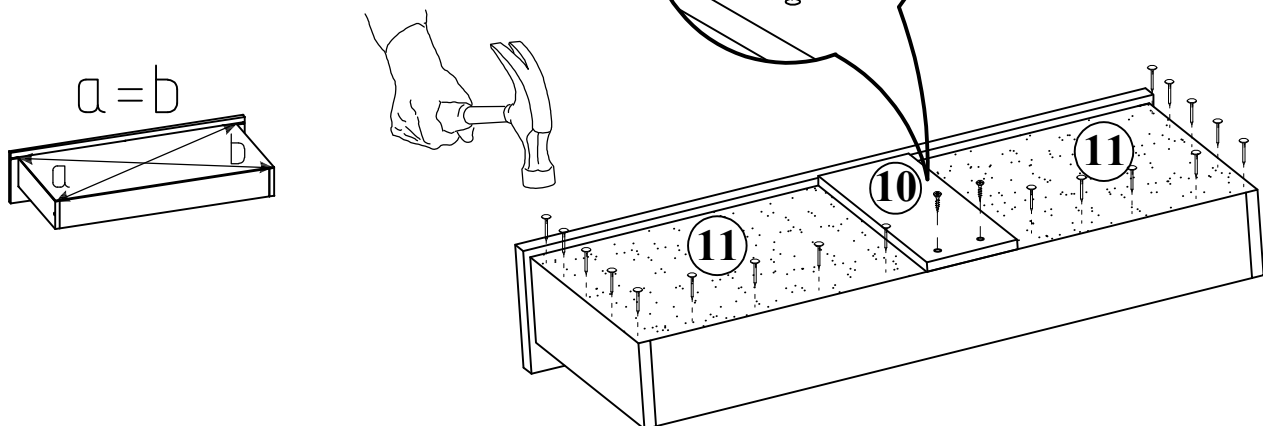
## 8

 <p>(M2) x3</p>	 <p>(E5) 3,5*16mm x12</p>	 <p>(A1) 8*30mm x12</p>
 <p>(R3) 1.4*25mm 0.05kg</p>		 <p>(E8) 3,5*40mm x6</p>

### 8.1 x3



### 8.2 x3



**9**

