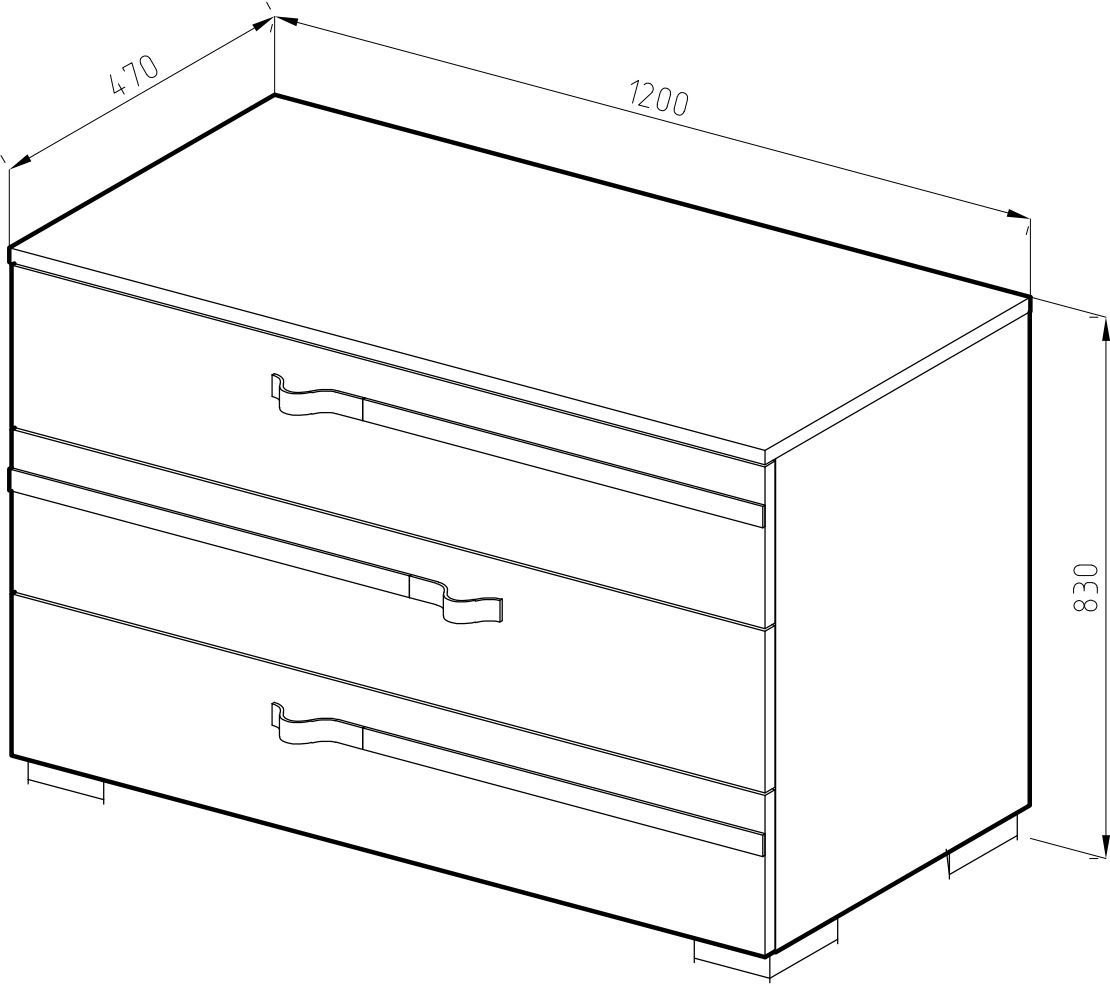
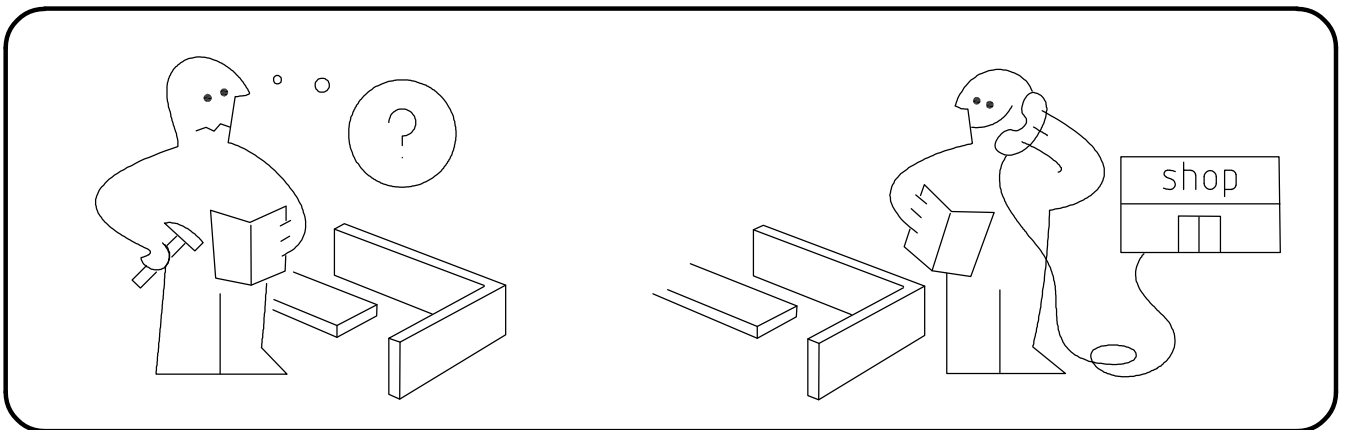
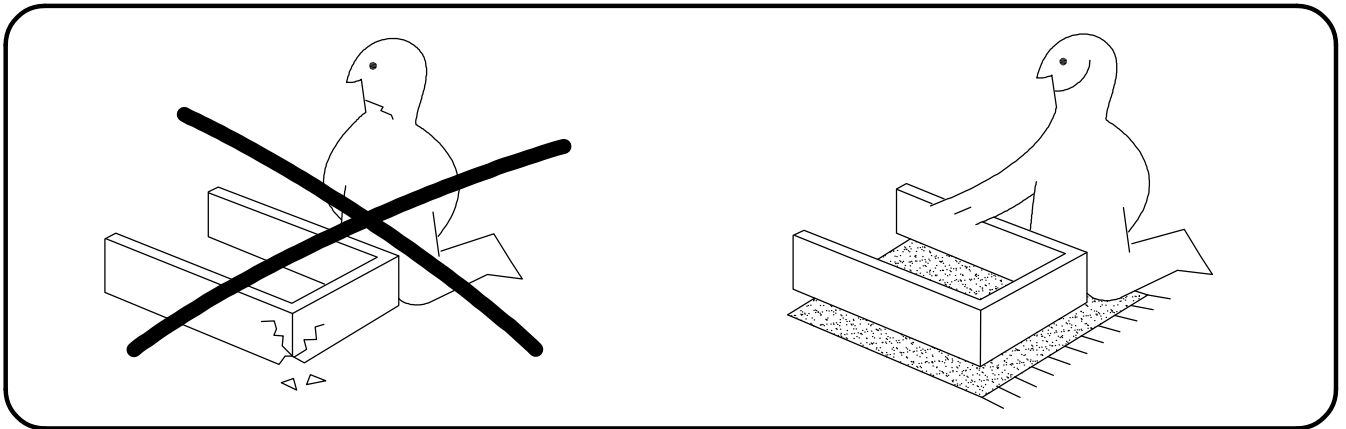
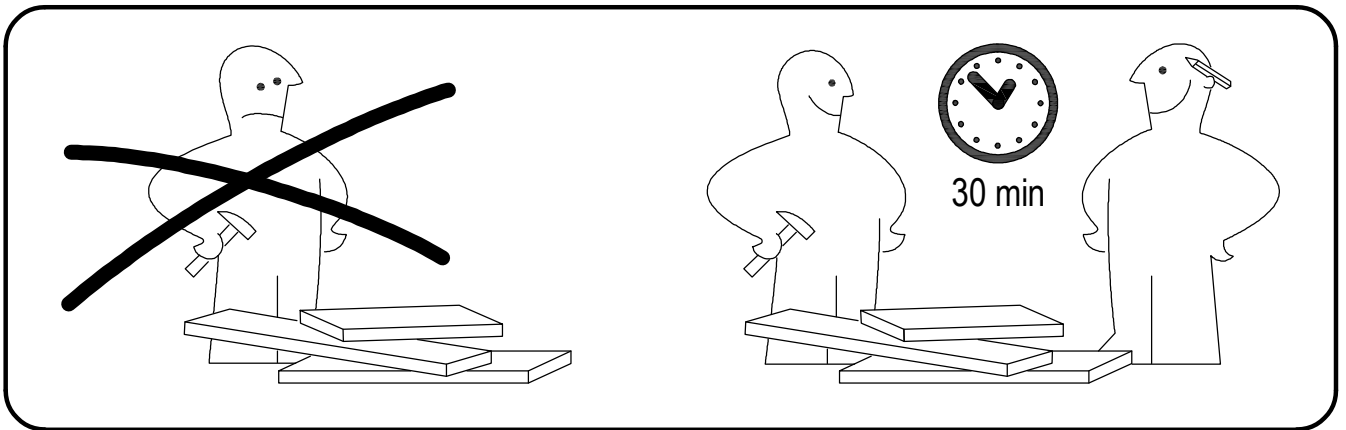
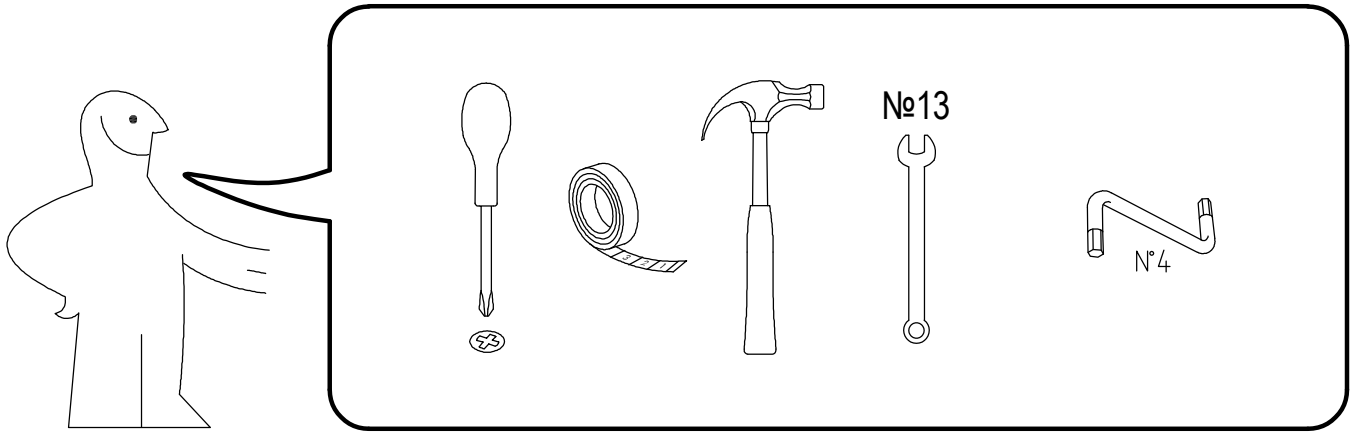



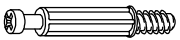


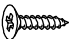
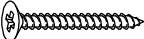



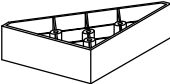
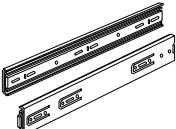
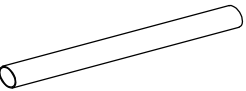


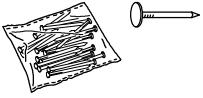


EXTAZA

CHEST OF DRAWERS

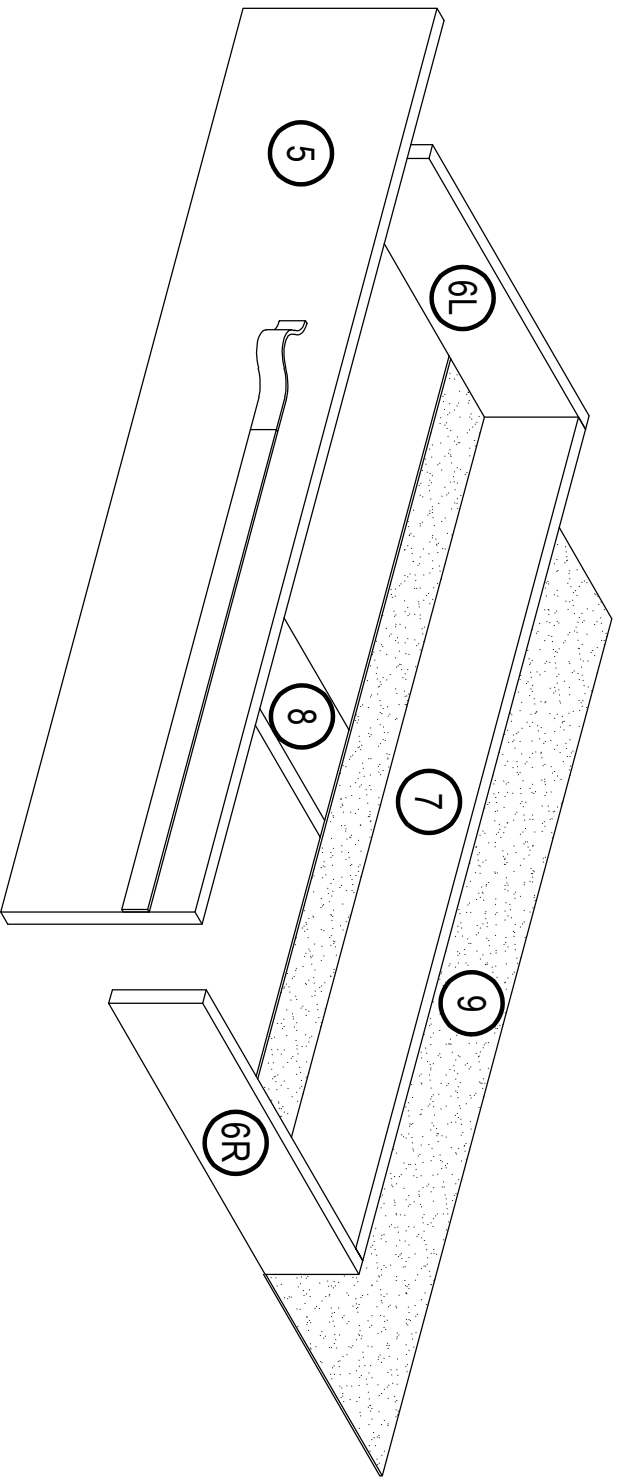


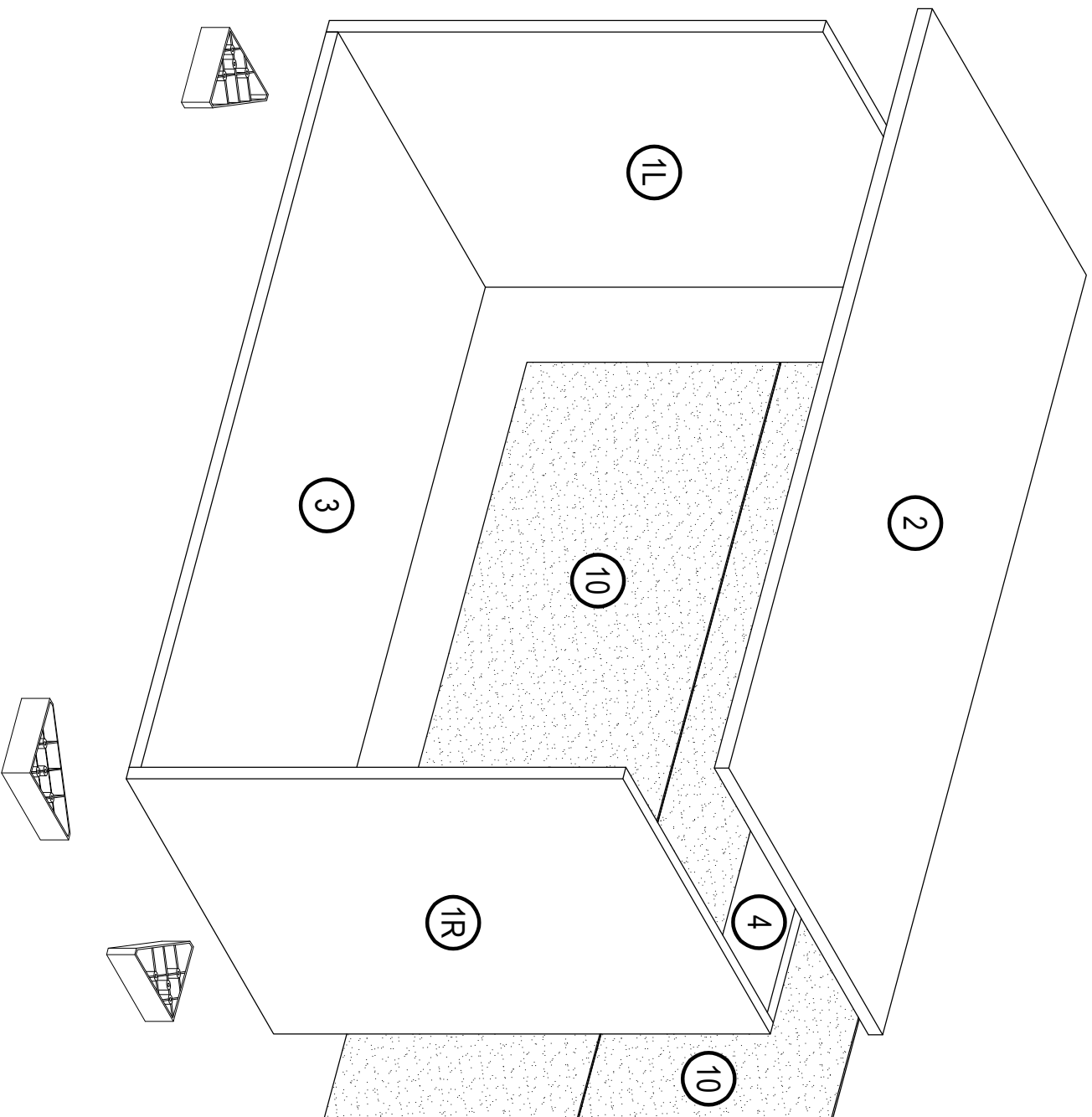


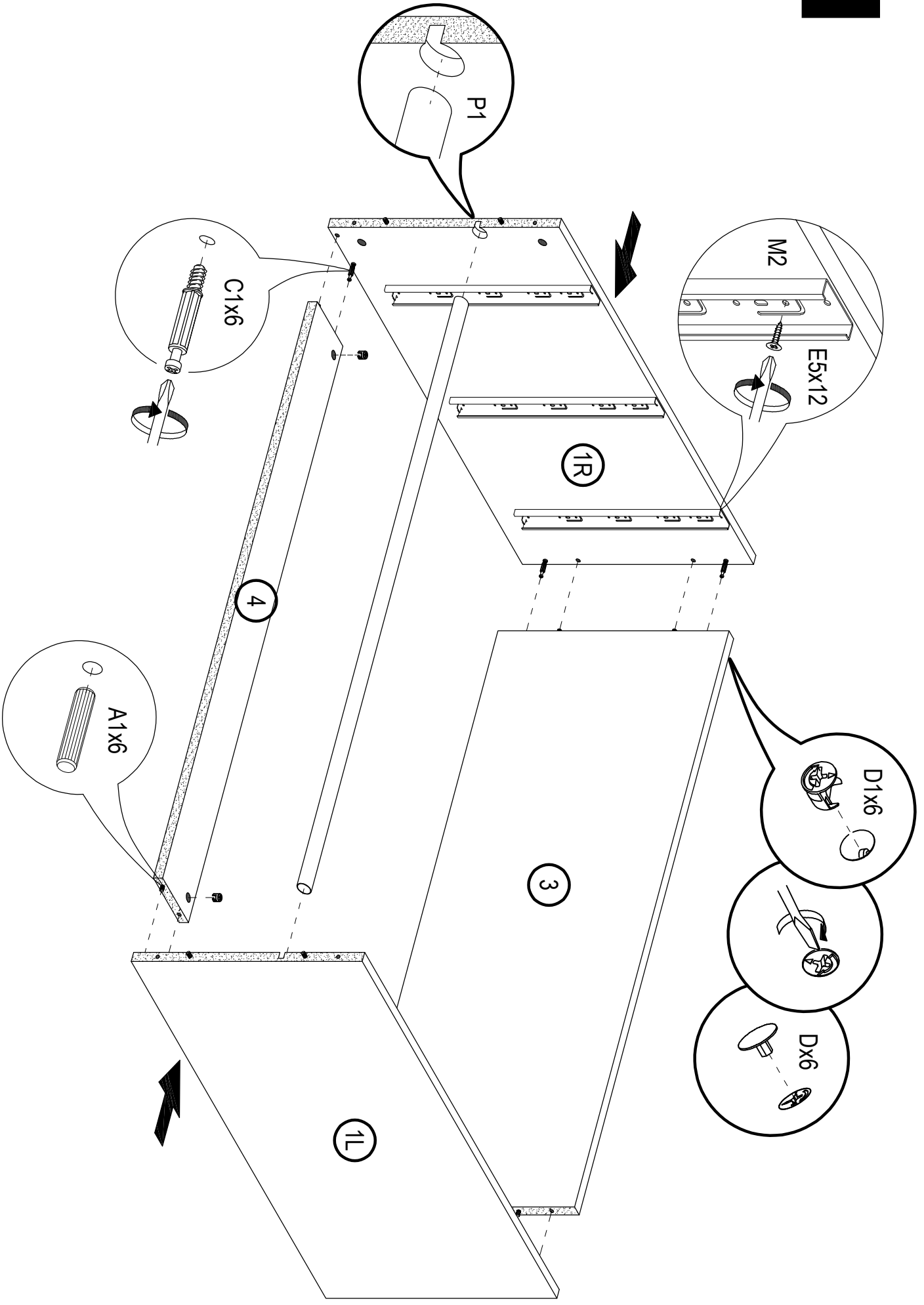
 A1 8*30mm x40	 B x6	 B1 6,3*50mm x6
 C1 43mm x16	 D x16	 D1 16mm x16
 E5 3,5*16mm x24	 E11 4*35mm x18	 G6 M 4*25mm x6
 H1 M 4 x6	 I28 x3	 K13 x4
 M2 400mm x3	 P1 ϕ 25 L-1184 x1	 P4 L-1160 x1
 R1 x1	 R3 1.4*25mm 0.05kg	

N°	a*b	X	N°	a*b	X	N°	a*b	X
1L	758x450	1	4	1162x100	1	7	1100x120	3
1R	758x450	1	5	1196x248	3	8	400x120	3
2	1200x470	1	6L	400x120	3	9	403x1134	3
3	1162x450	1	6R	400x120	3	10	1194x386	2

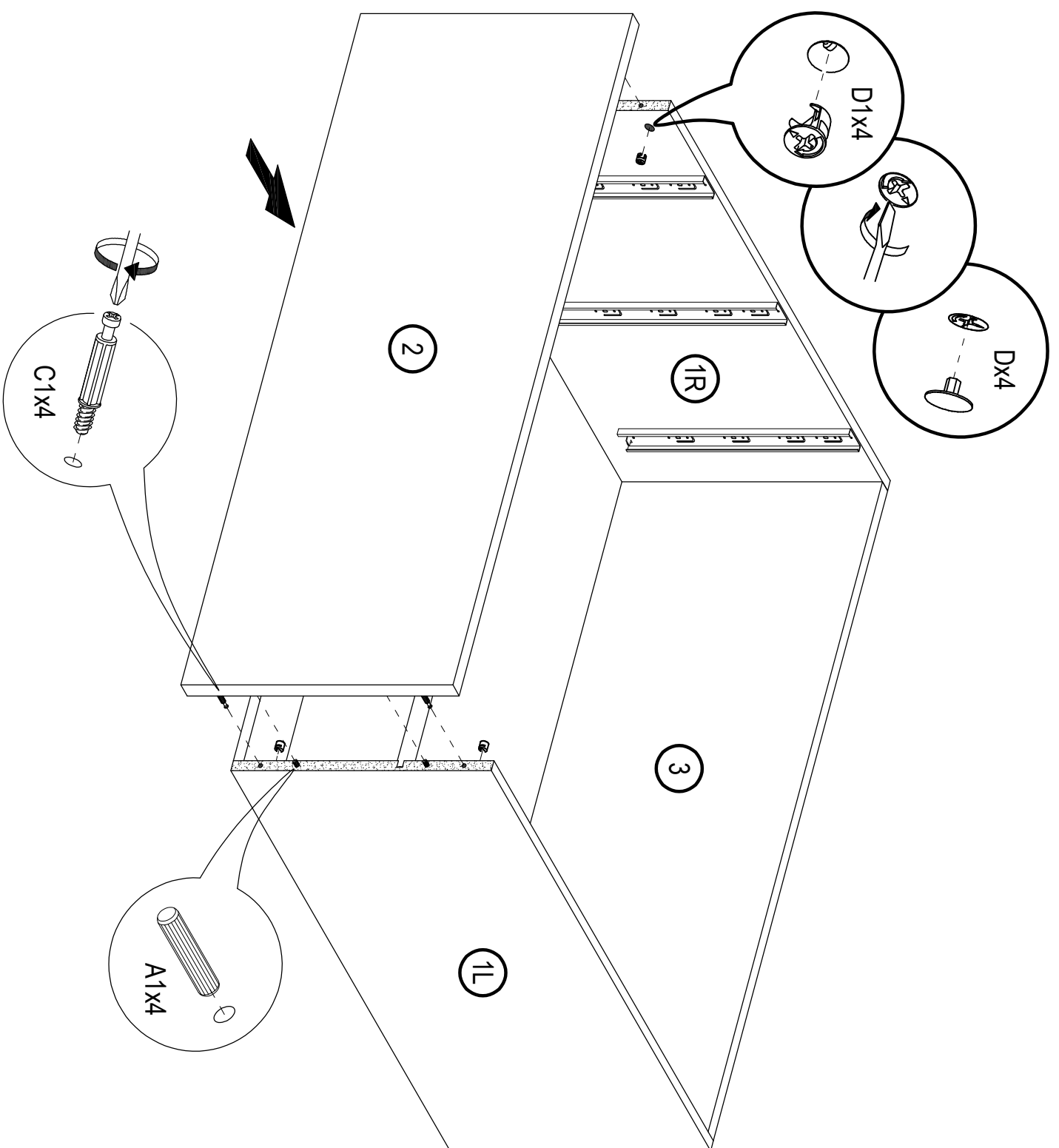
X3



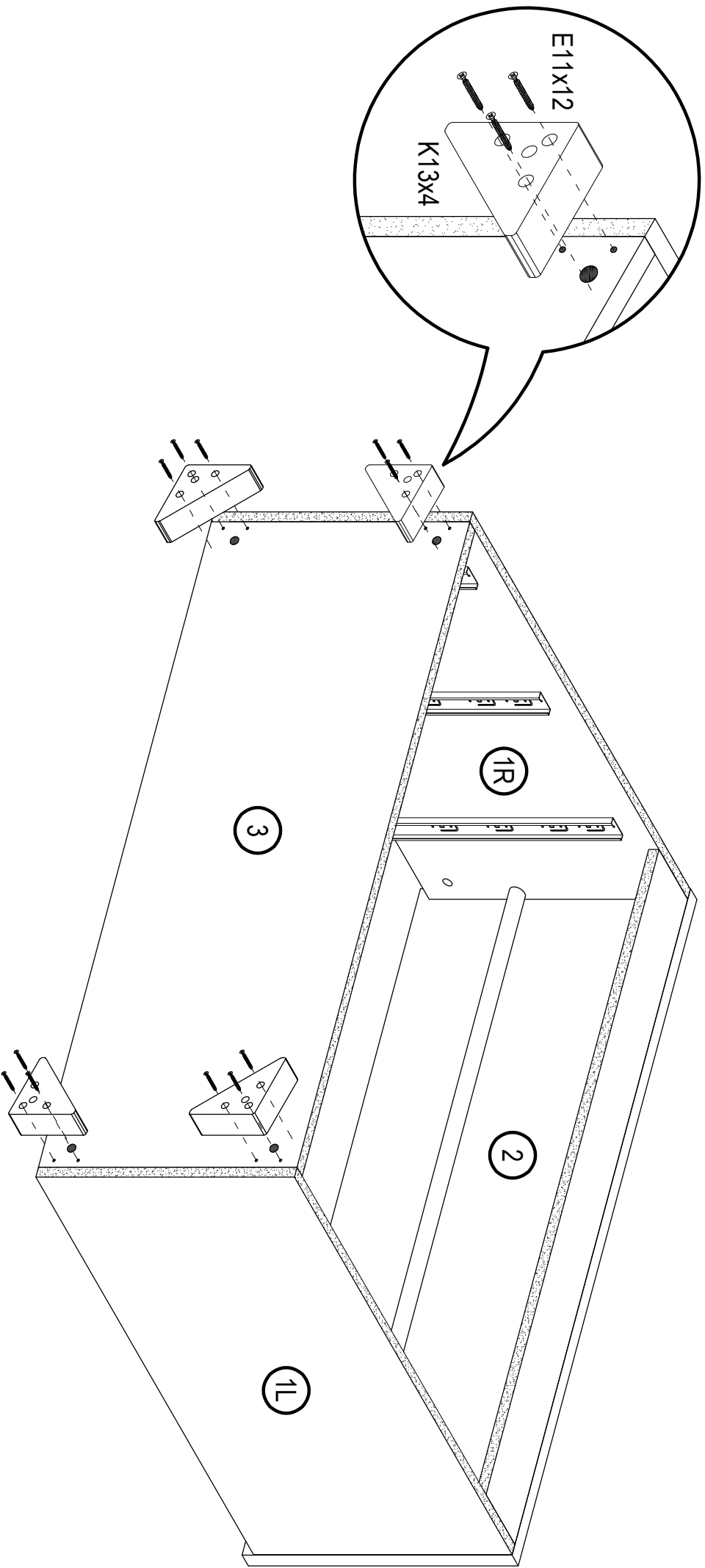




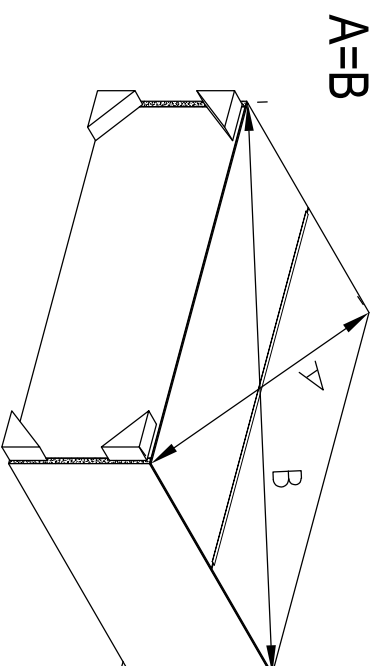
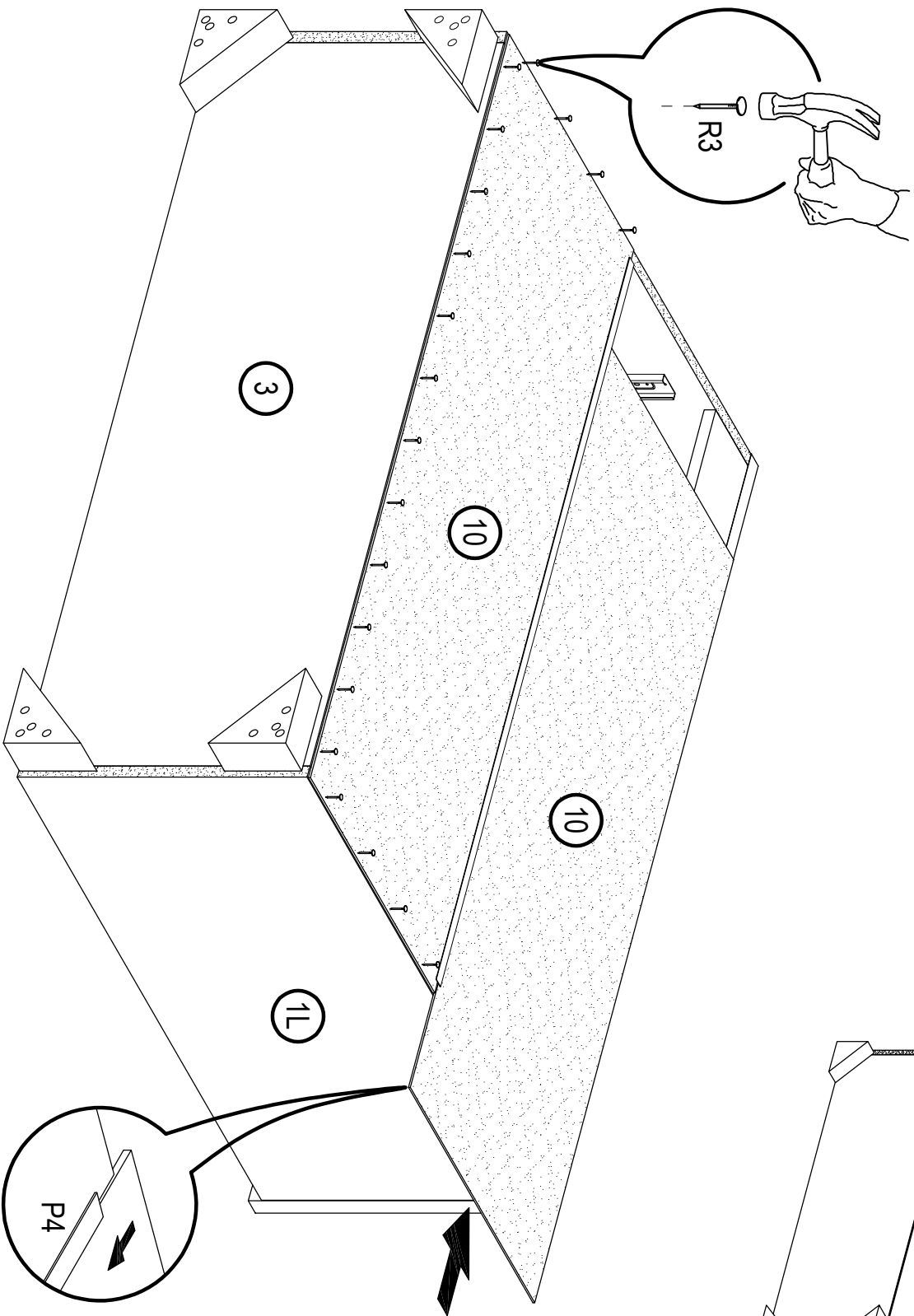
2



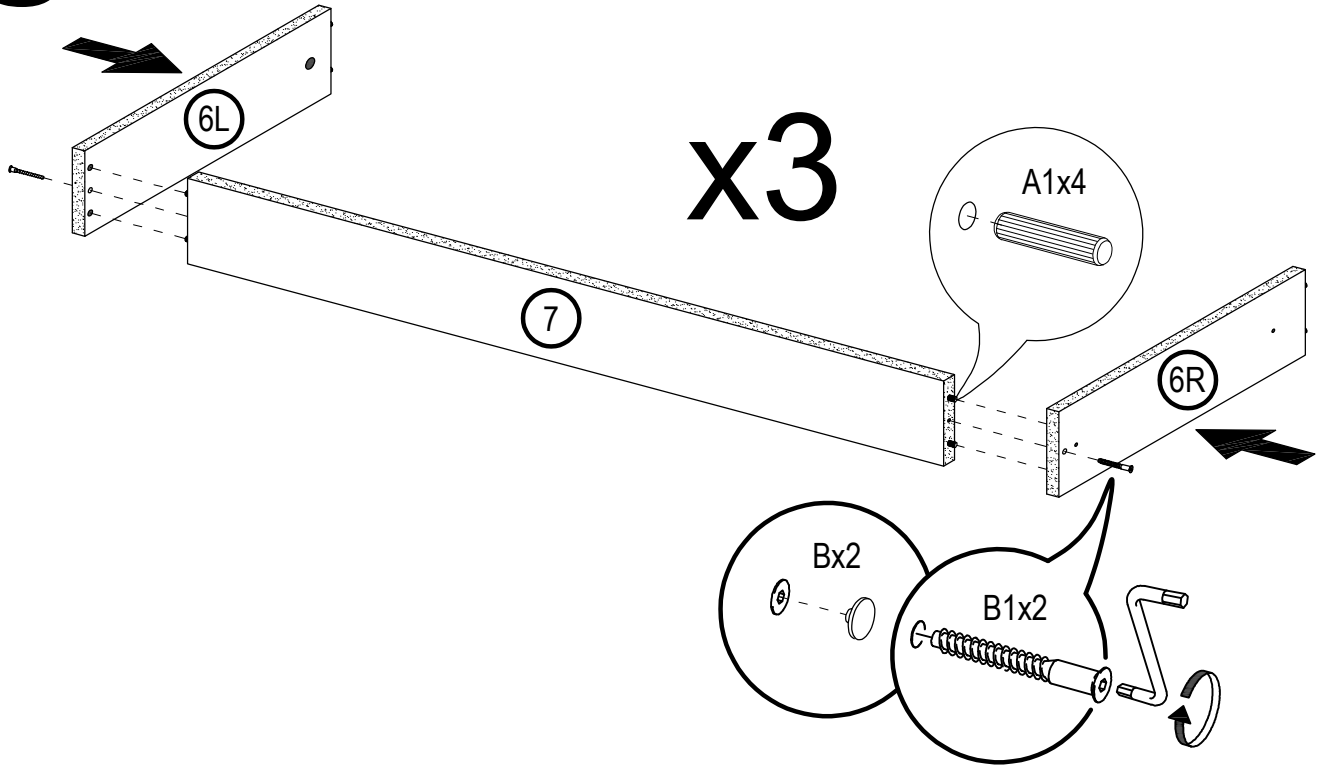
3



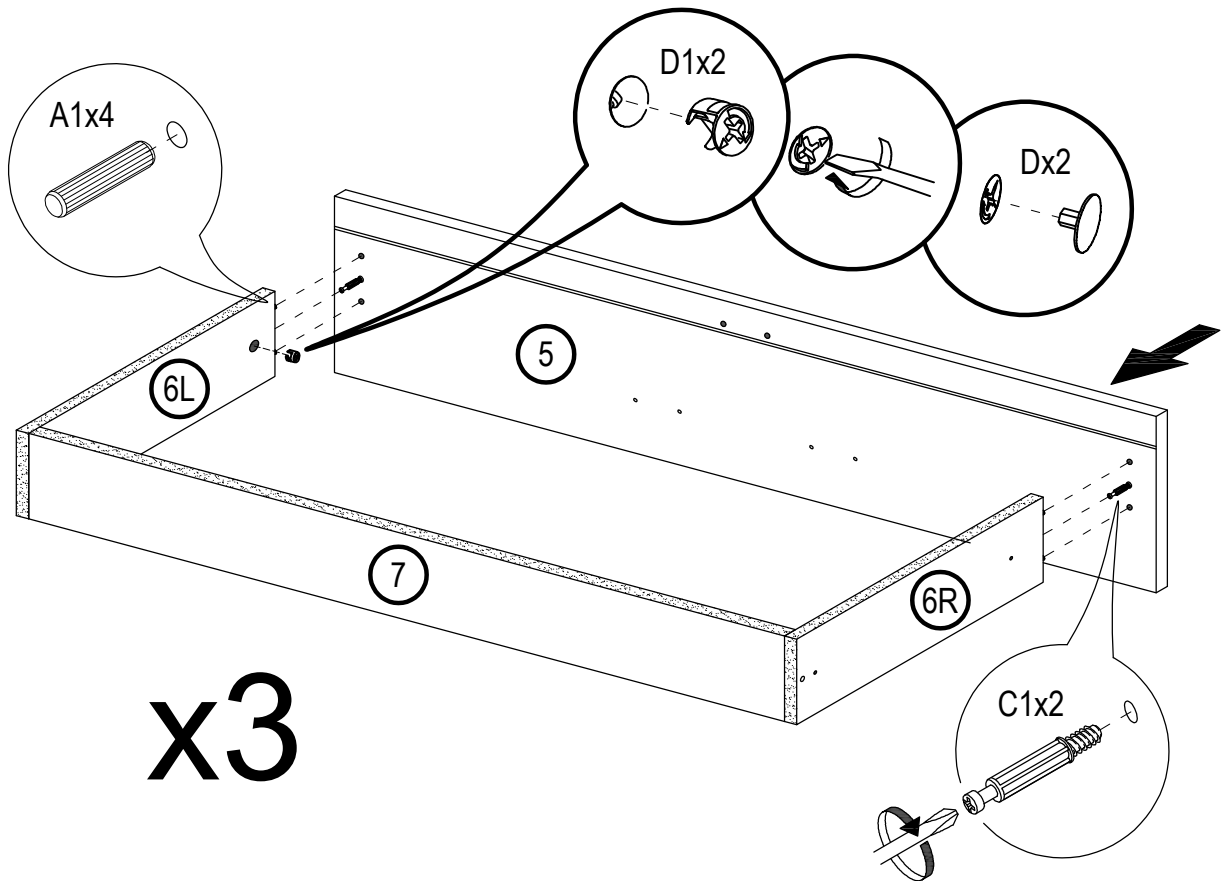
4



5

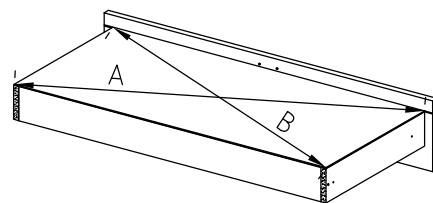


6

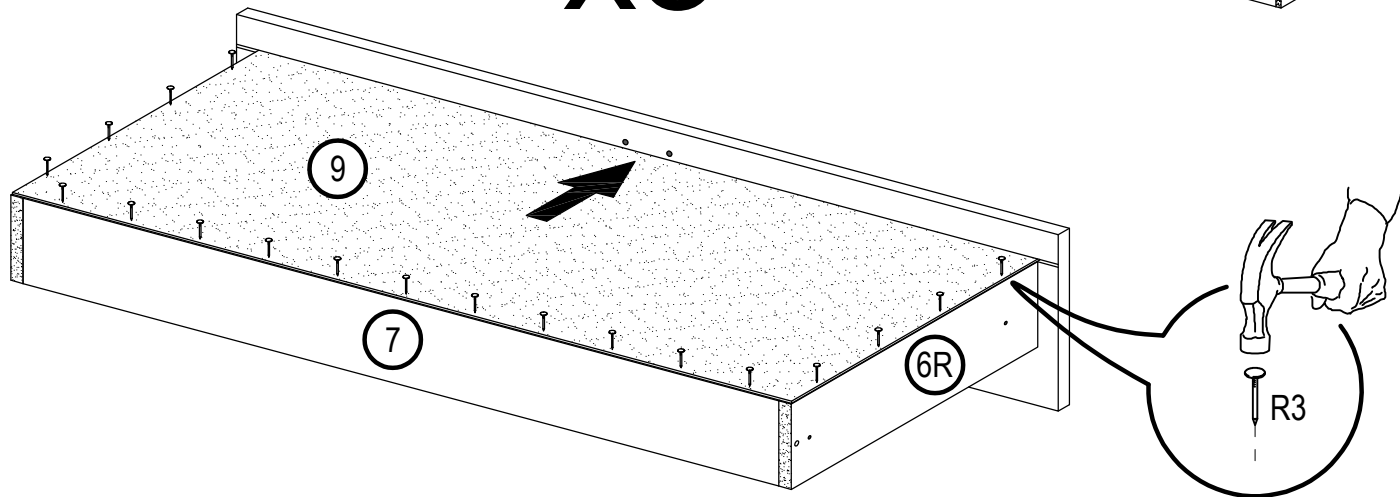


7

A=B



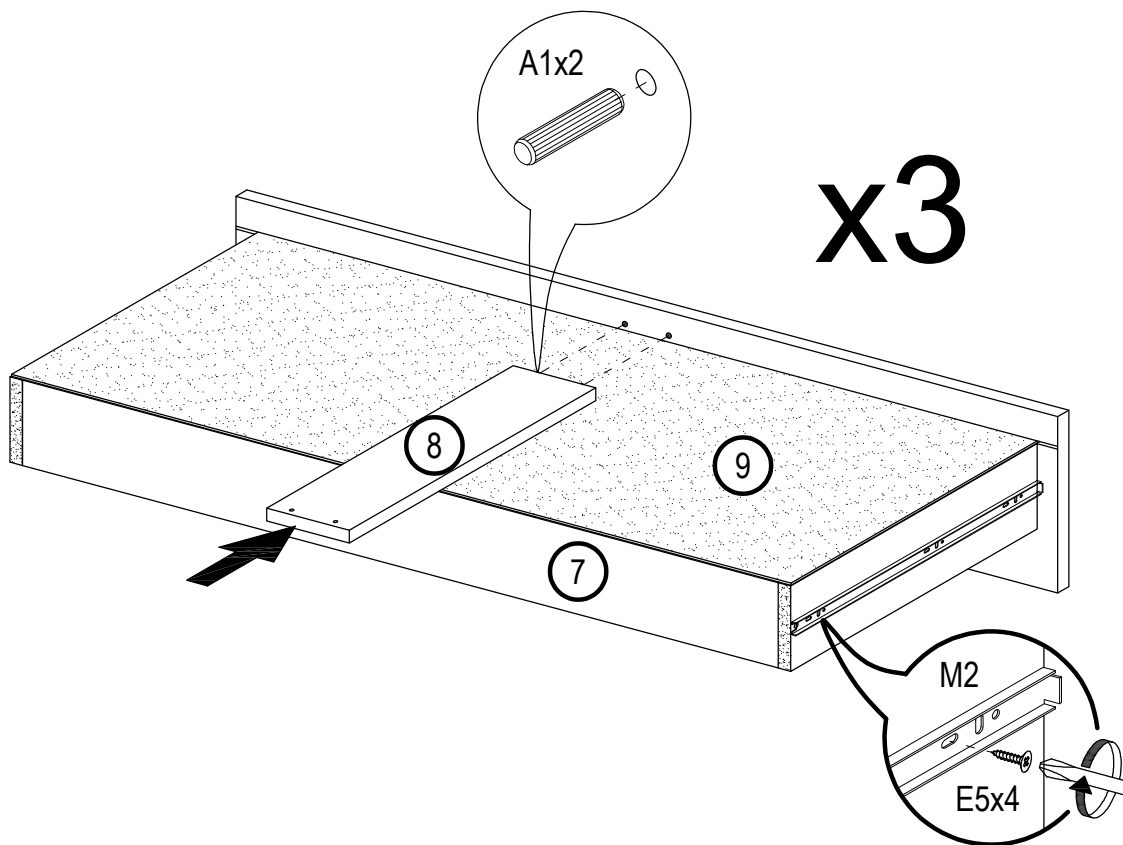
x3



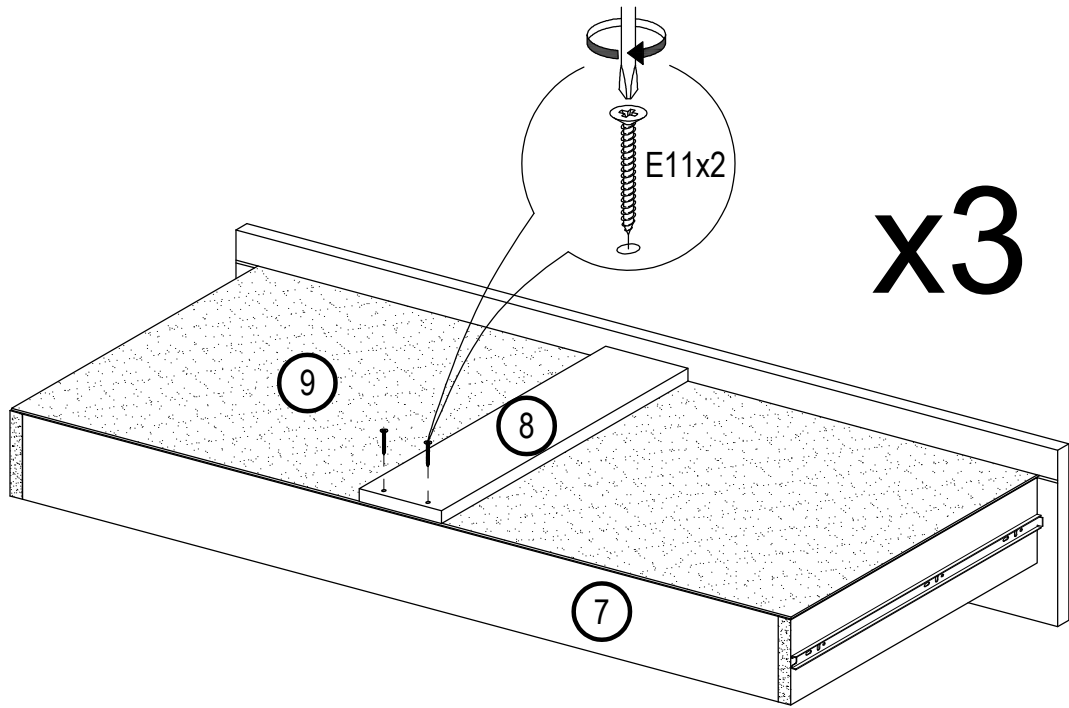
8

A1x2

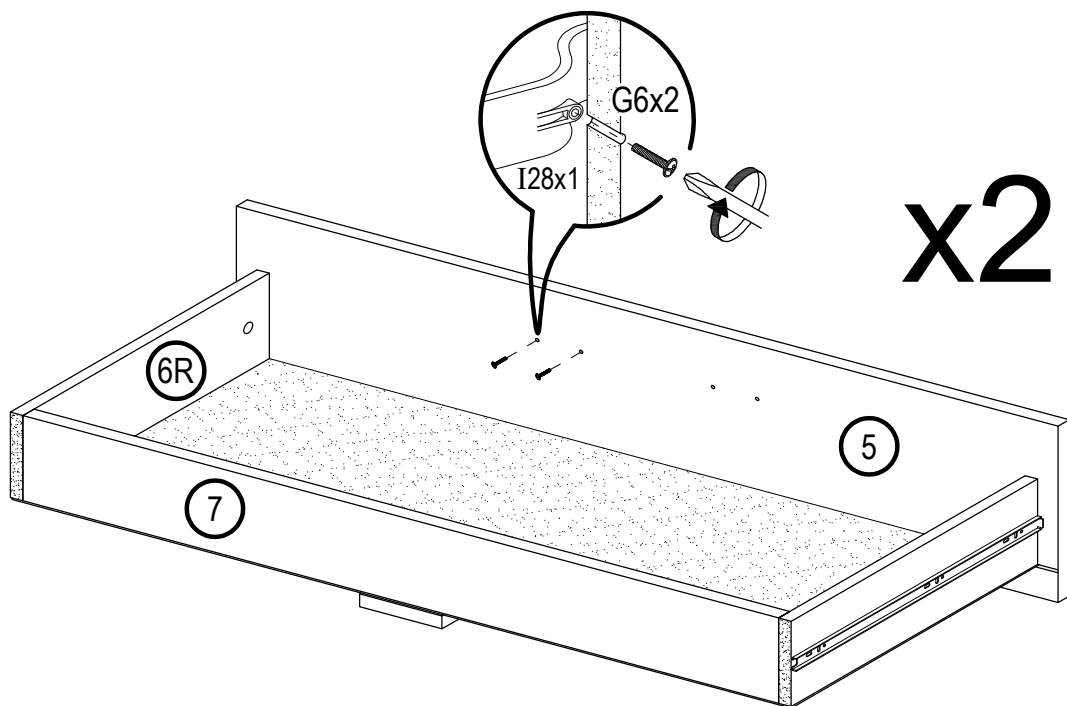
x3



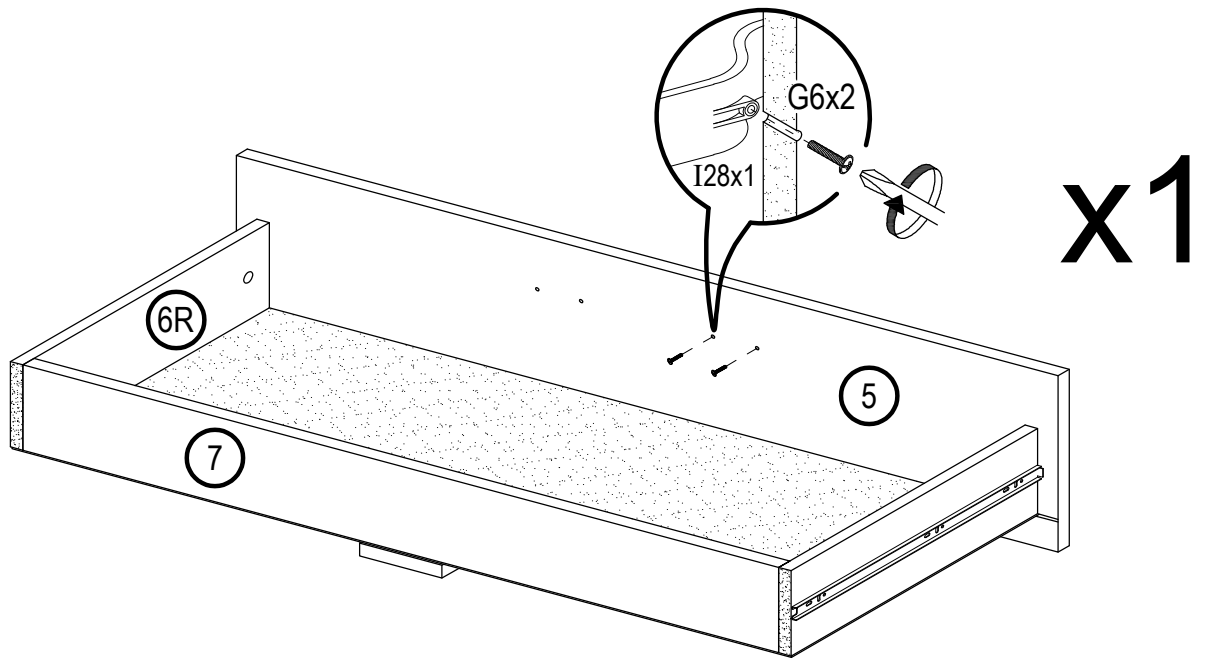
9



10



11



12

