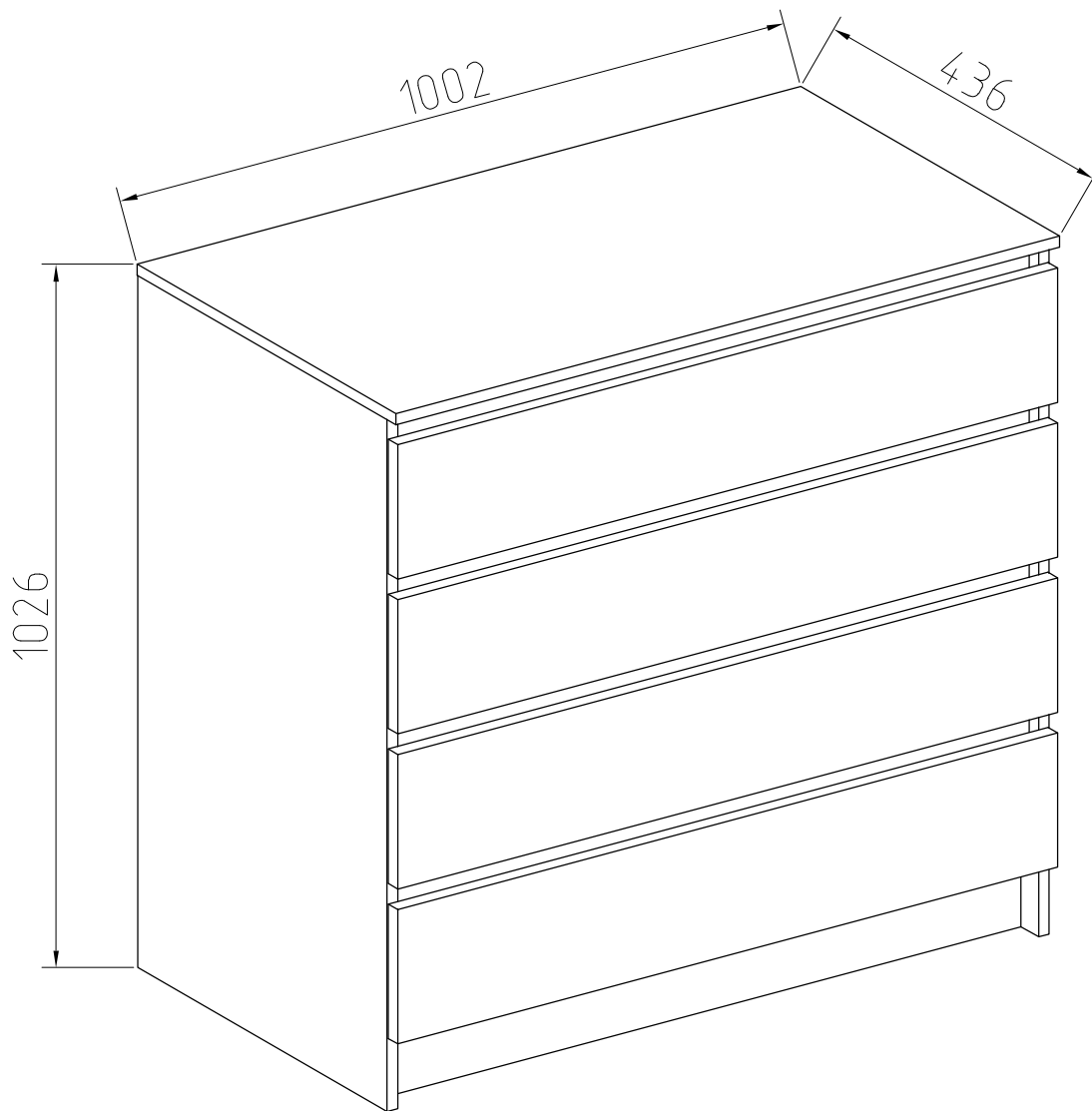

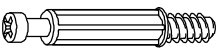

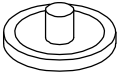
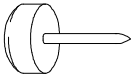


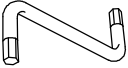
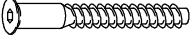

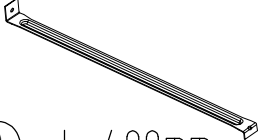
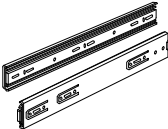



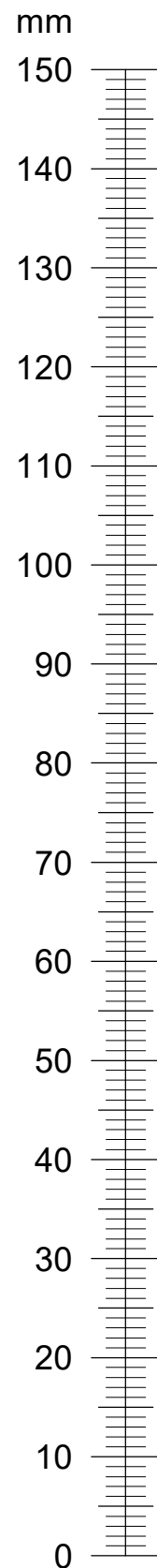


CHEST INDUSTRIAL 100/4D

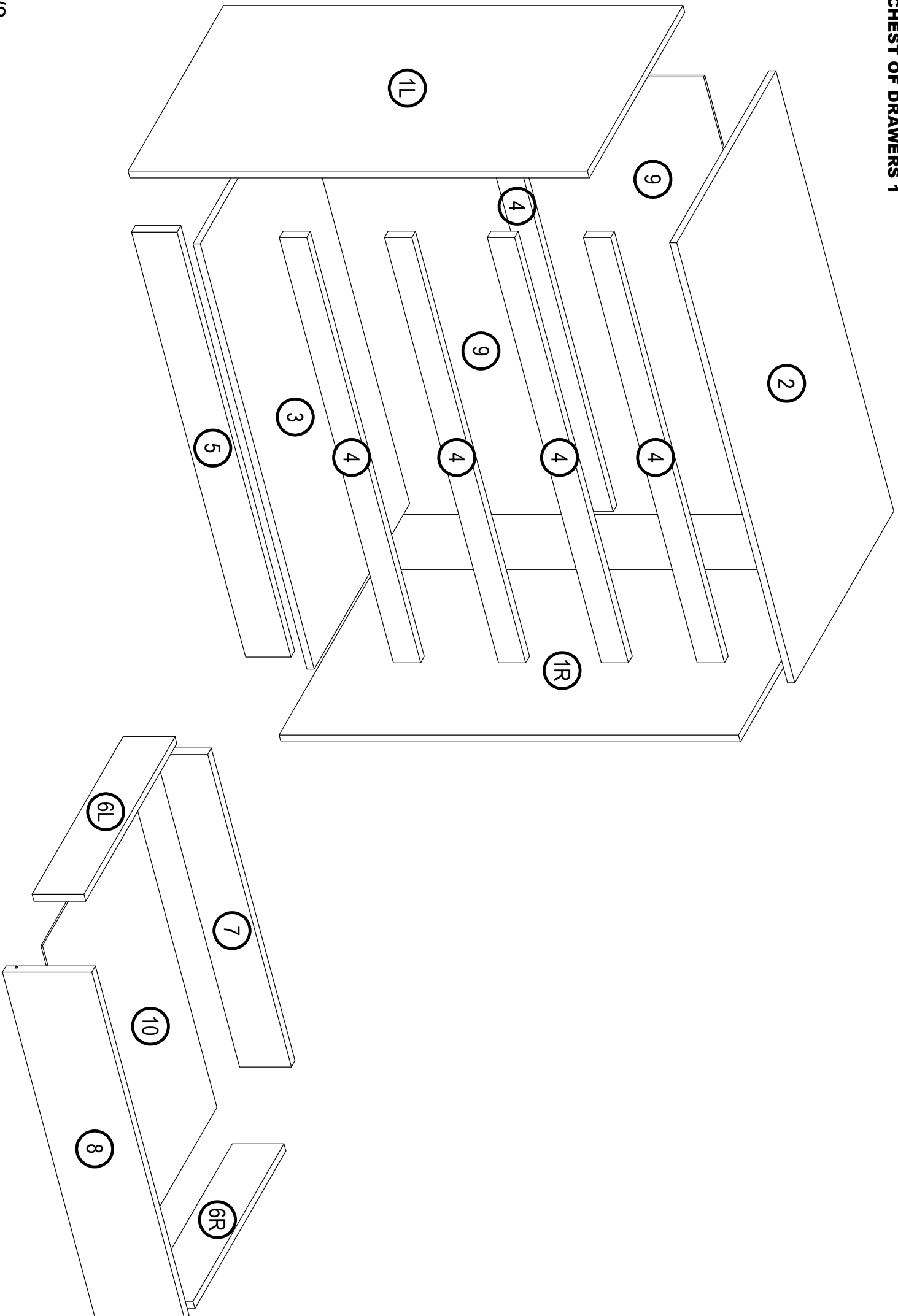
CHEST OF DRAWERS 1

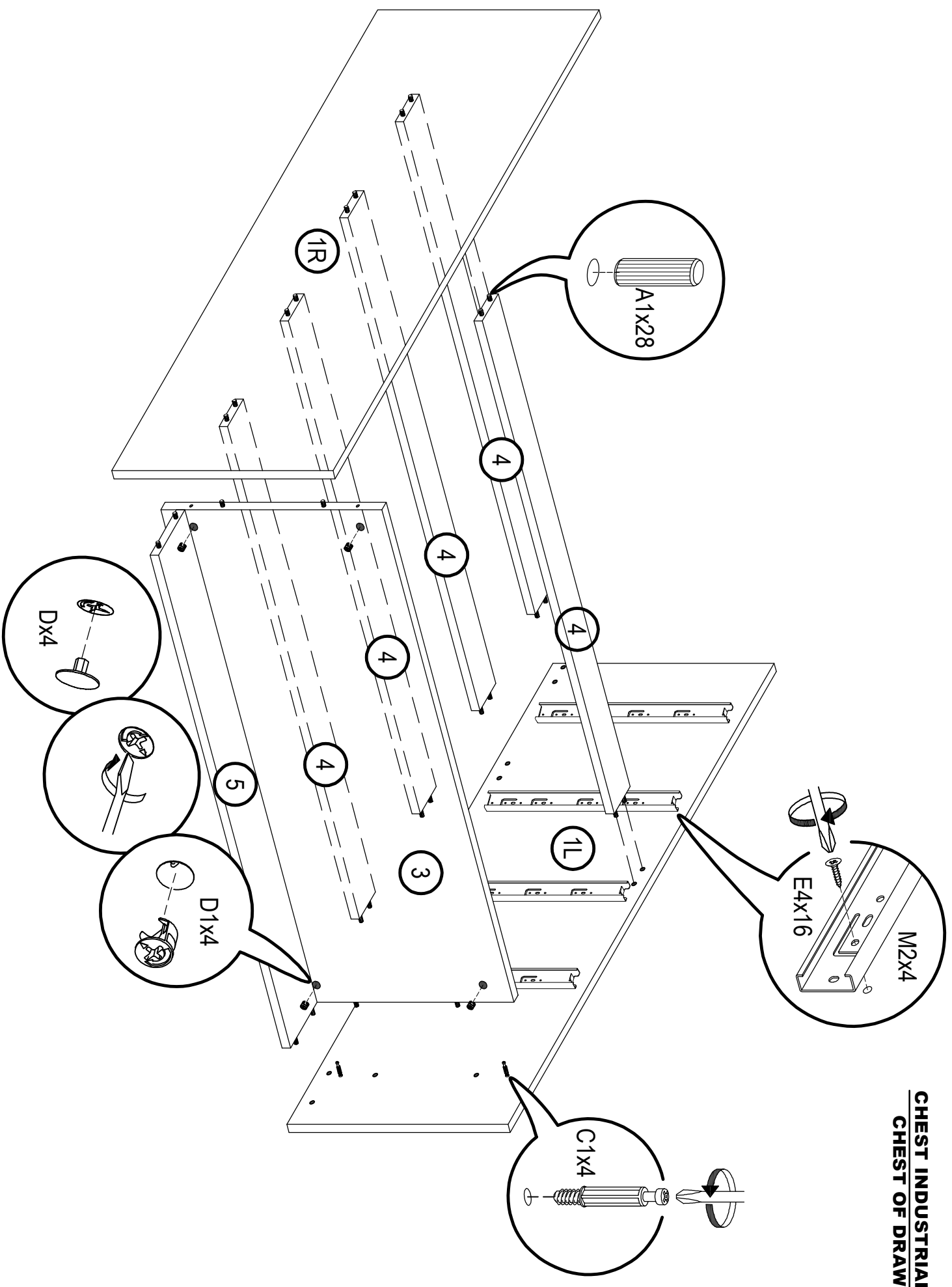


 (A1) 8*30mm x64	 (C1) 6*43mm x16	 (D1) 15/16 x16
 (D) ϕ 20mm x16	 (K1) x4	 (E-2) 4,2*16mm x1
 (B) x8	 (R4) x1	 (B1) 6,3*50mm x8
 (E4) 3,5*16 x40	 (M9) L-400mm x4	 (M2) 400 mm x4
 (R3) 1.4*25mm 60g		

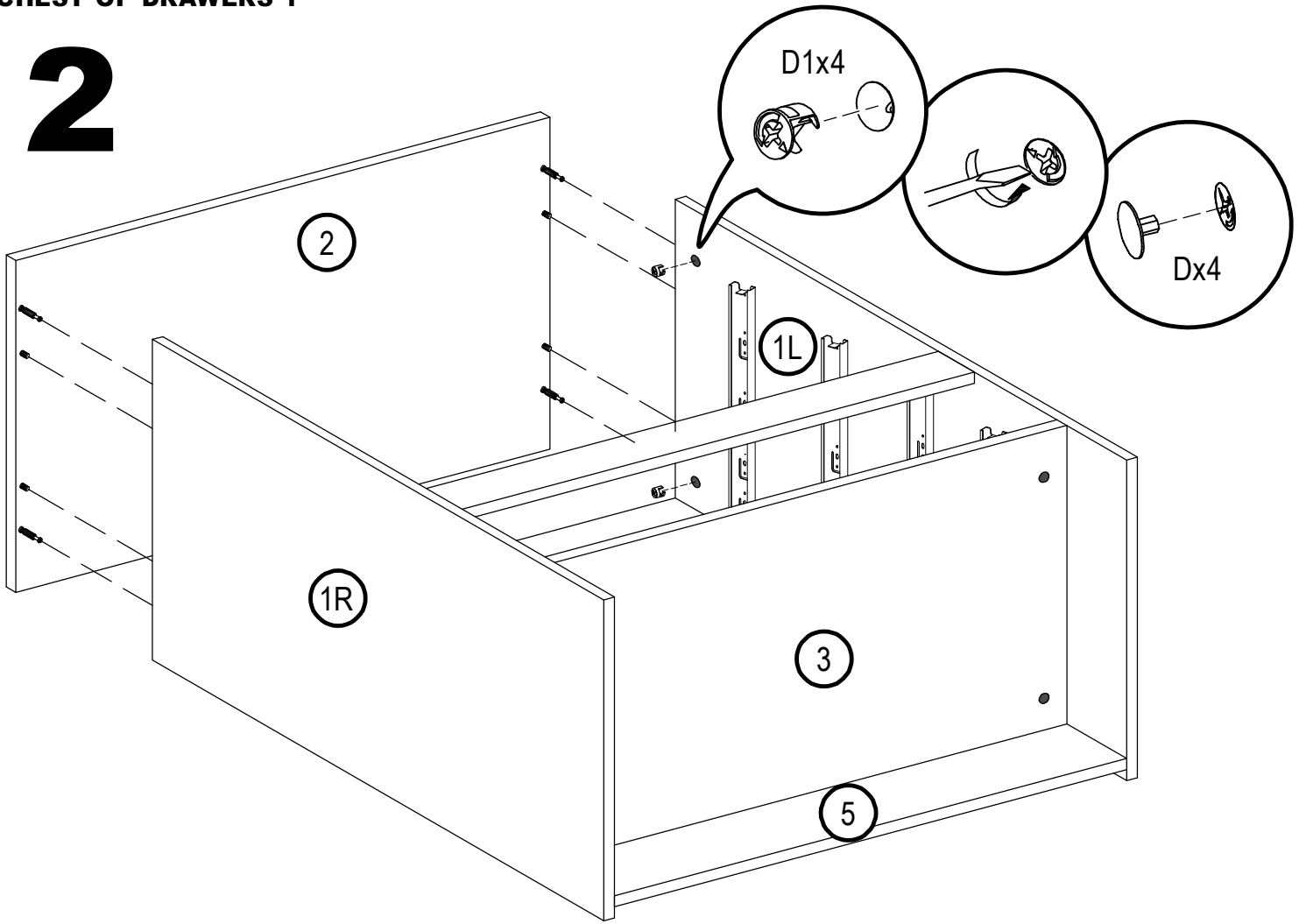


No	a*b	x
1R	1010x420	1
1L	1010x420	1
2	1002x436	1
3	968x420	1
4	968x60	5
5	968x100	1
6R	400x110	4
6L	400x110	4
7	911x110	4
8	996x196	4
9	996x460	2
10	941x403	4

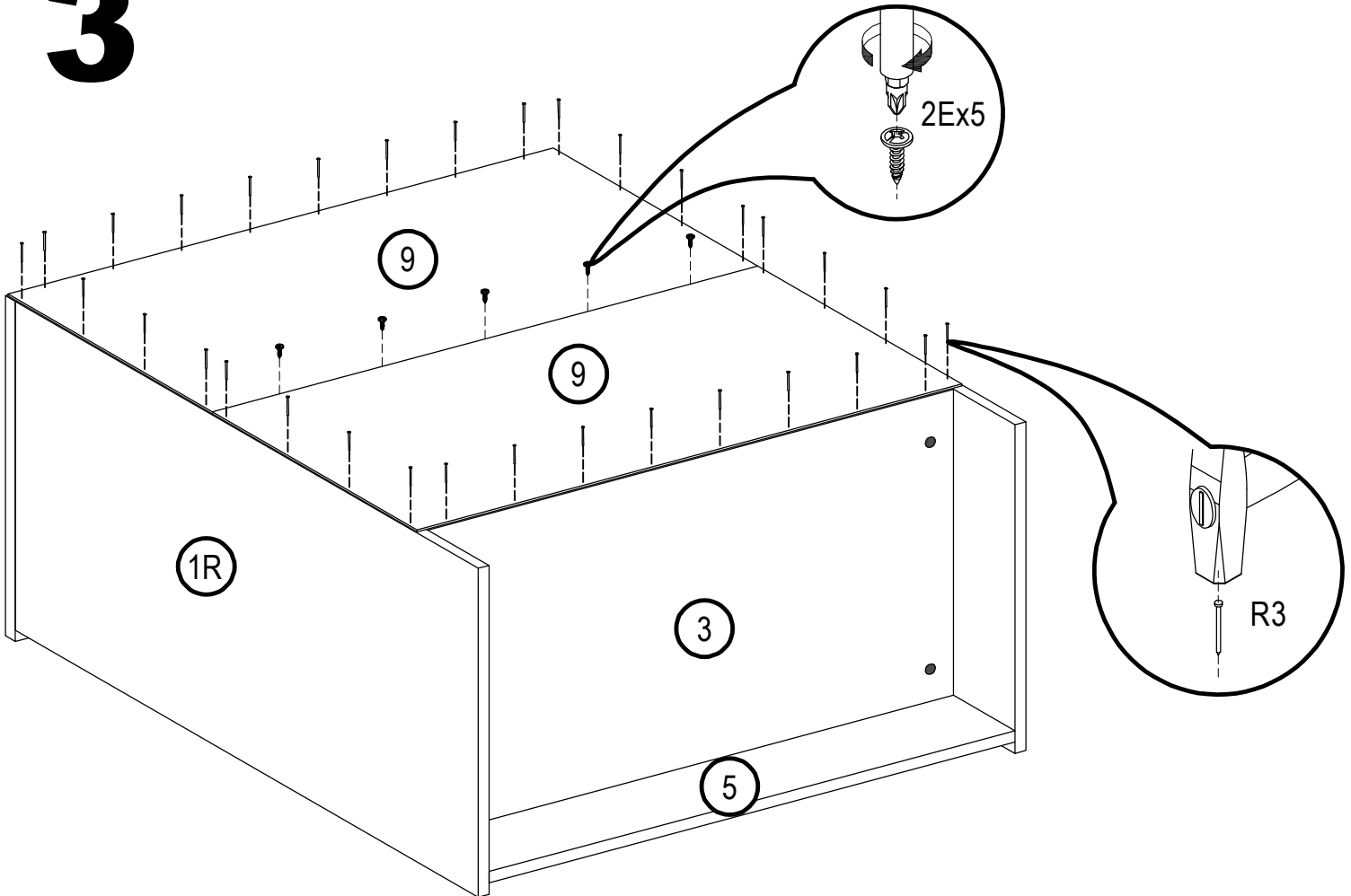




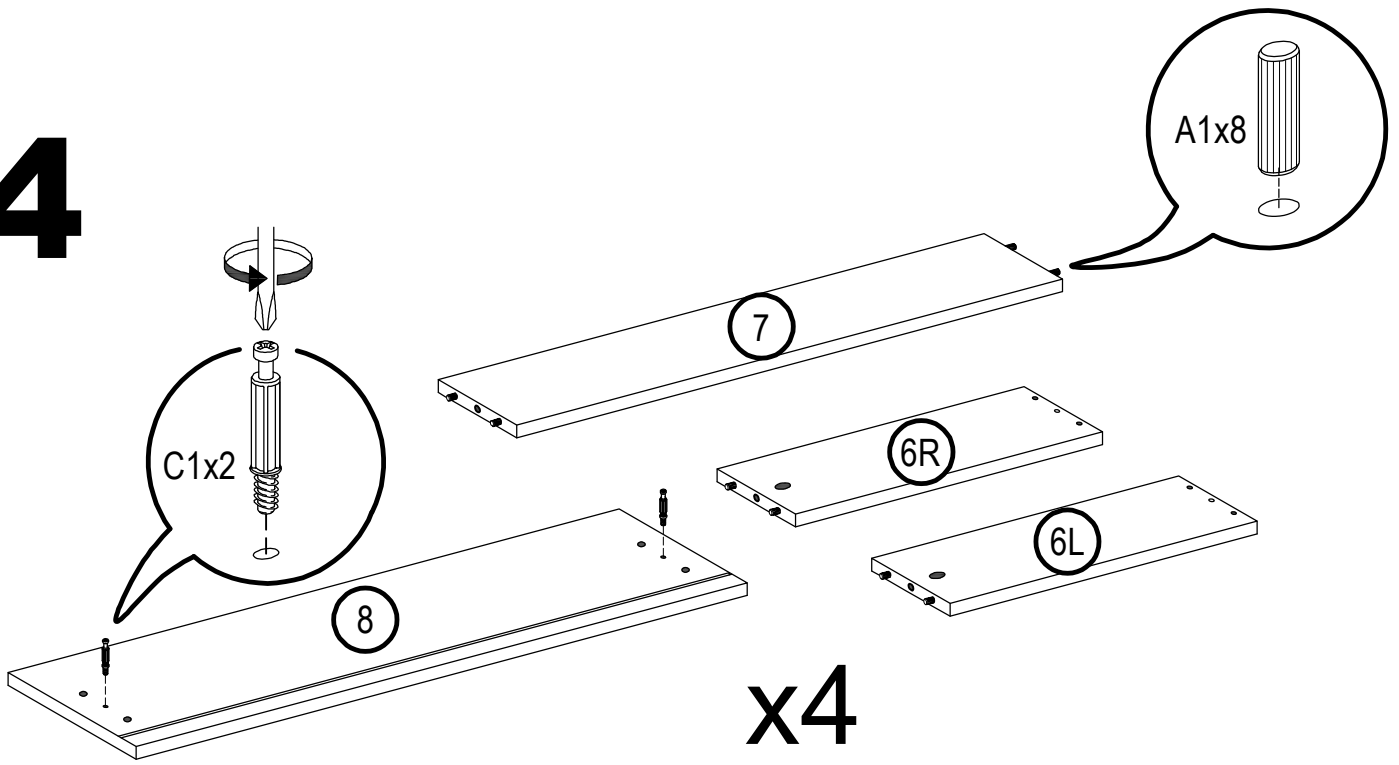
2



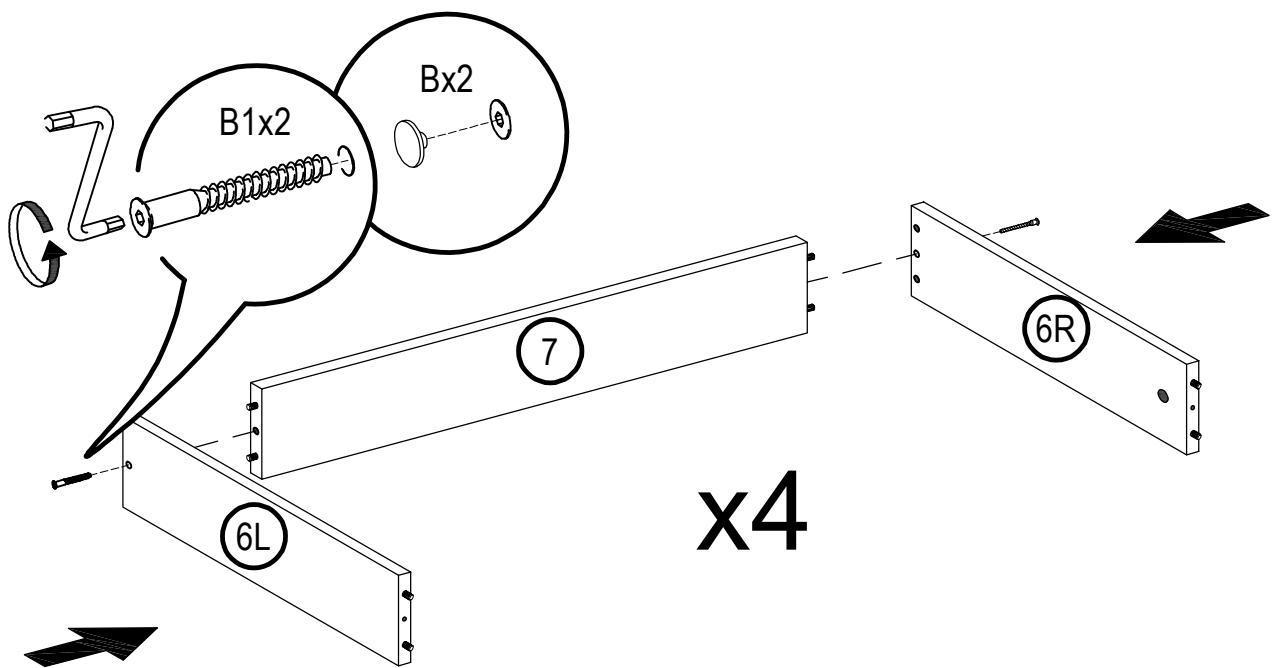
3



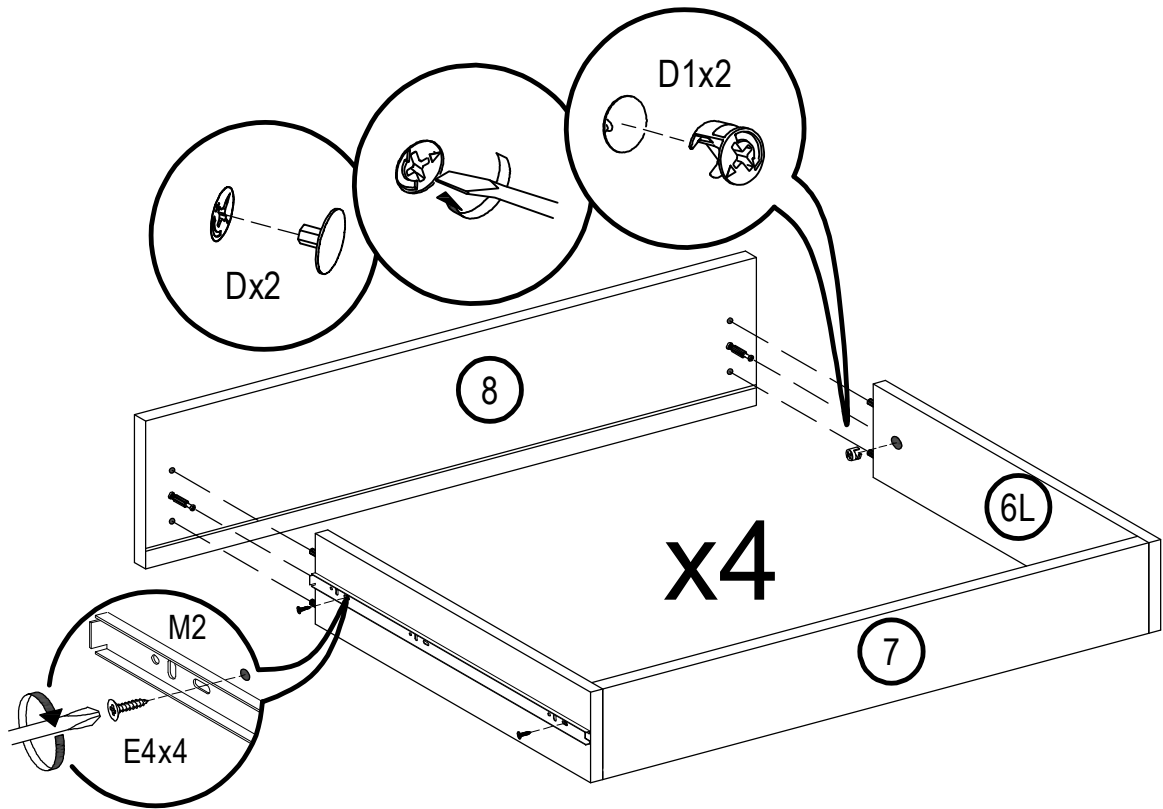
4



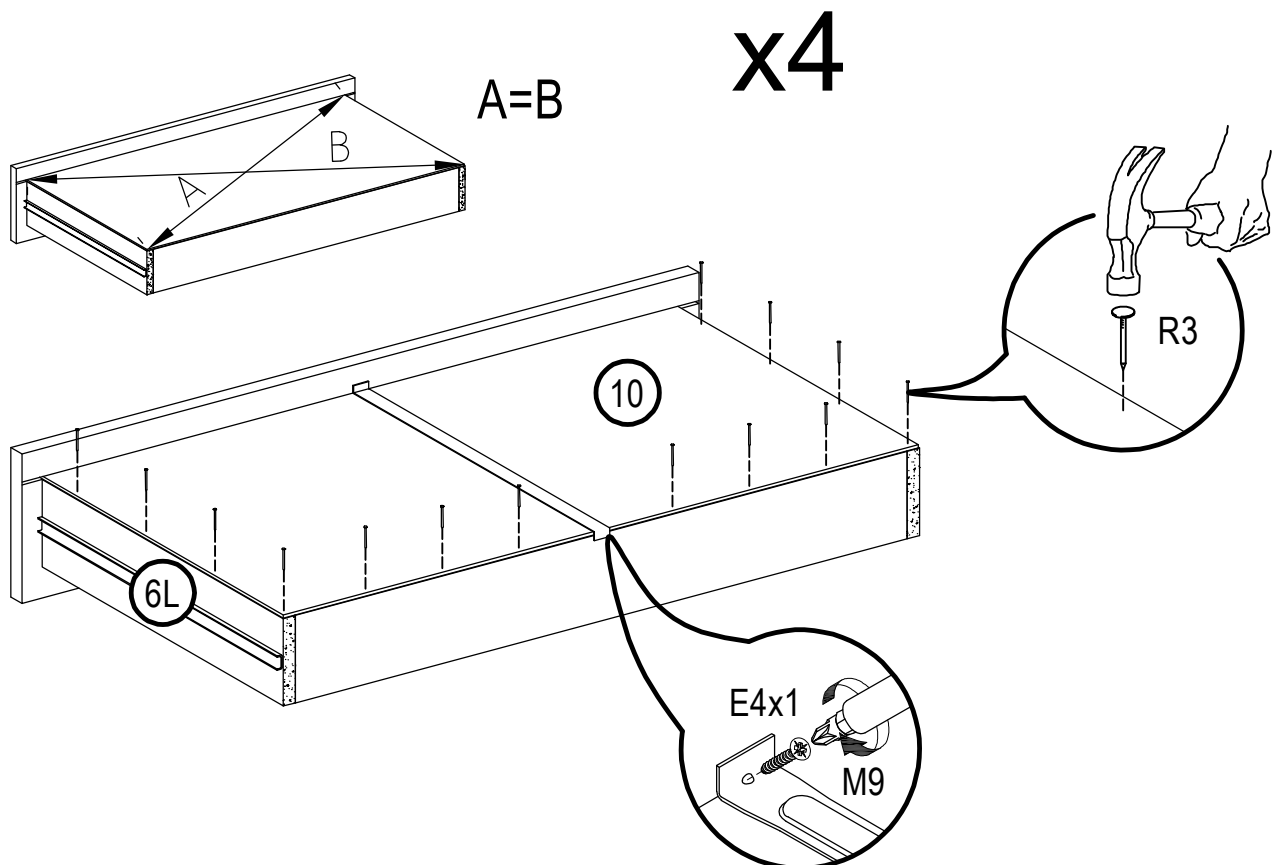
5



6



7



8

