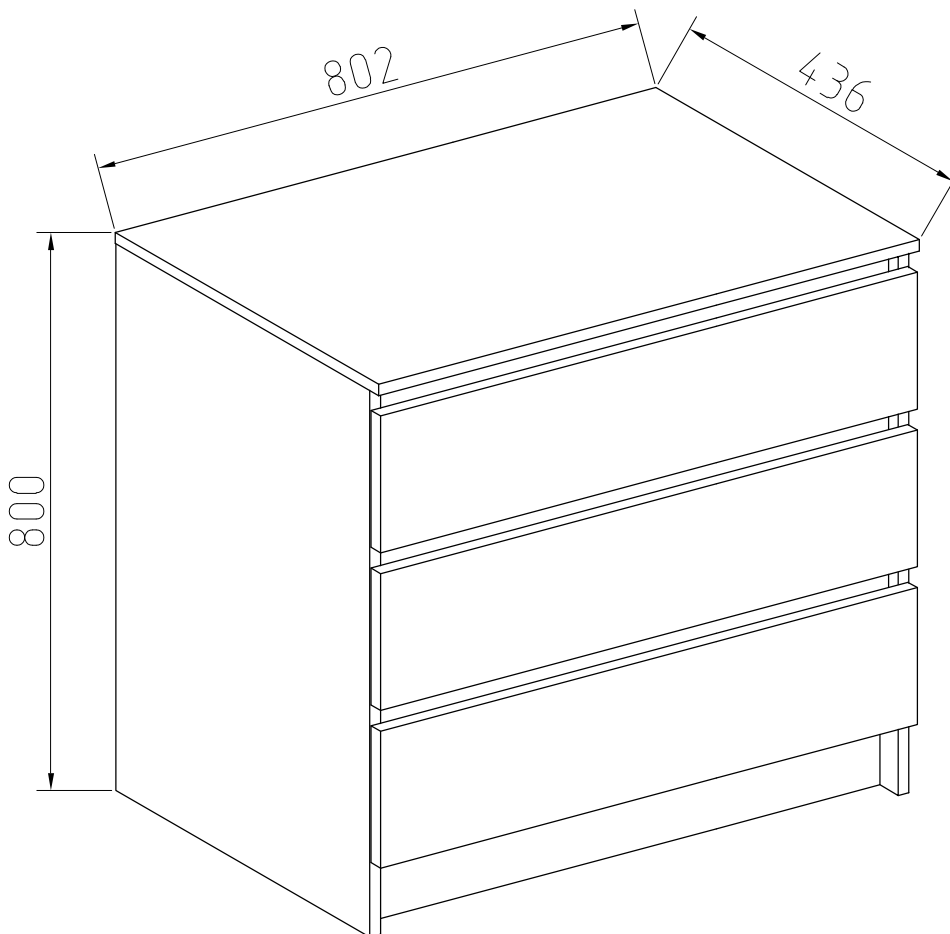

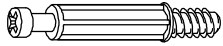

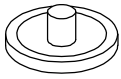
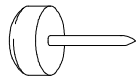


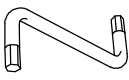
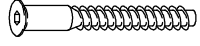
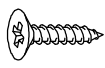
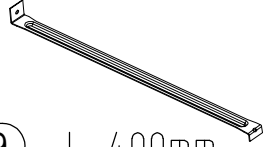
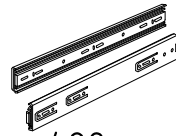



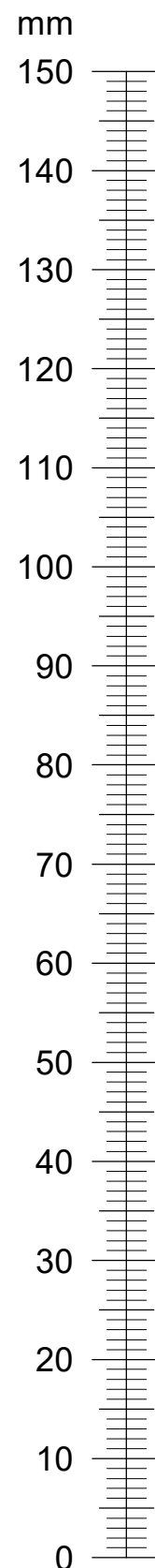


CHEST INDUSTRIAL 80/3D

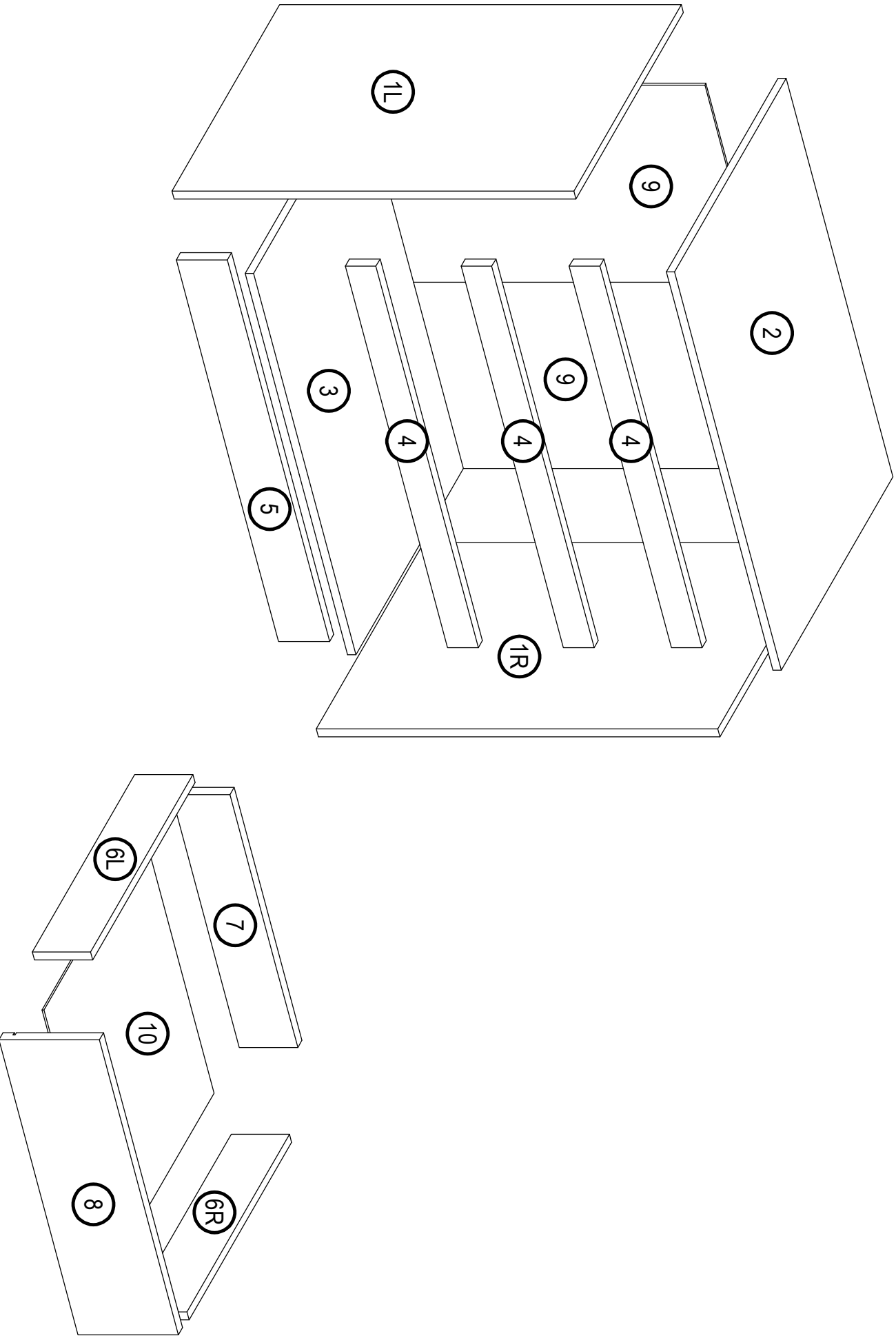
CHEST OF DRAWERS 2

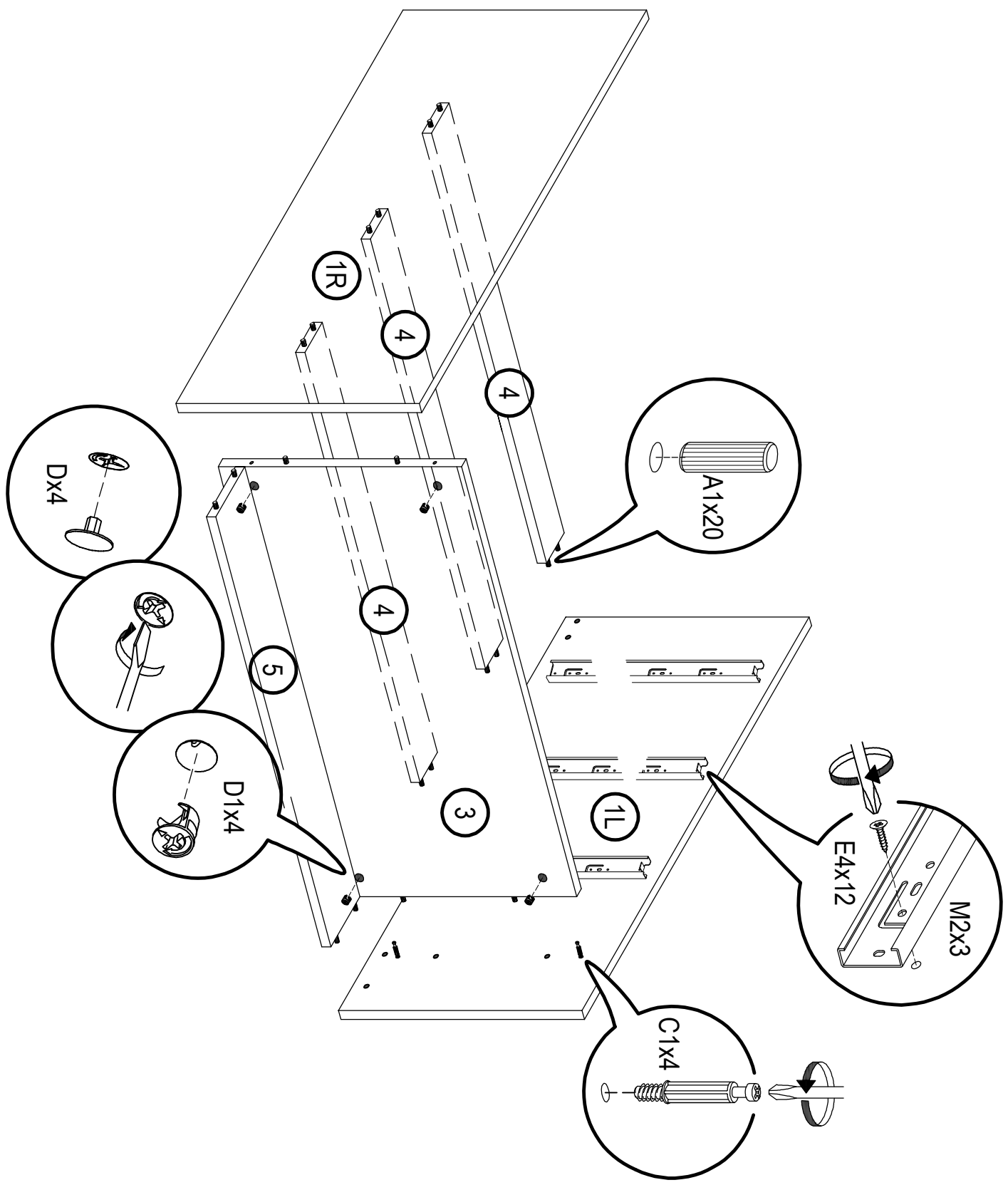


 R3 1.4*25mm 50g	 C1 6*43mm x14	 D1 15/16 x14
 D ø20mm x14	 K1 x4	 A1 8*30mm x48
 B x6	 R4 x1	 B1 6,3*50mm x6
 E4 3,5*16 x30	 M9 L-400mm x3	 M2 400 mm x3
 P4 L-667 x1		

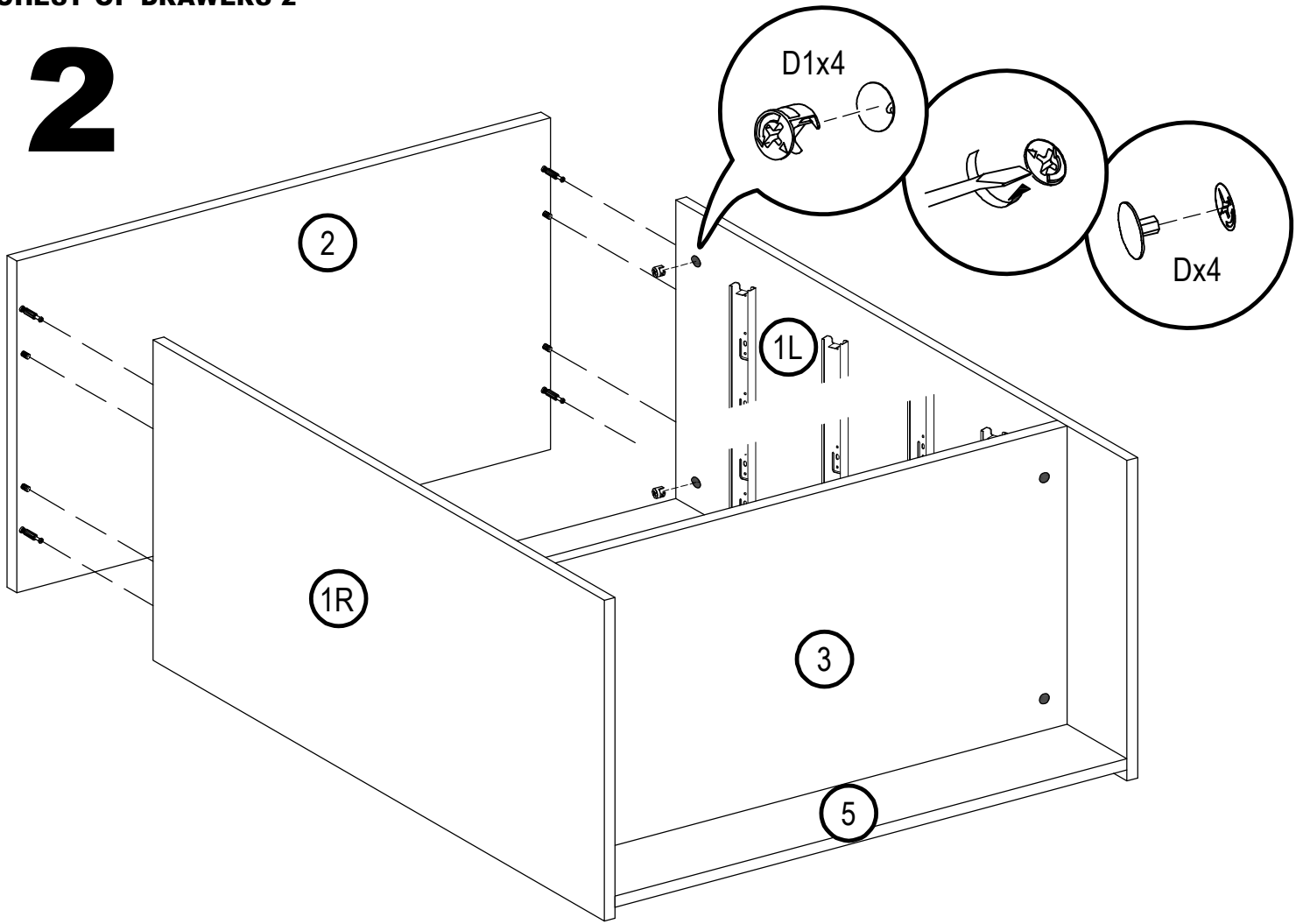


No	a*b	x
1R	784x420	1
1L	784x420	1
2	802x436	1
3	768x420	1
4	768x60	3
5	768x100	1
6R	400x110	3
6L	400x110	3
7	711x110	3
8	796x196	3
9	696x397	2
10	741x403	3

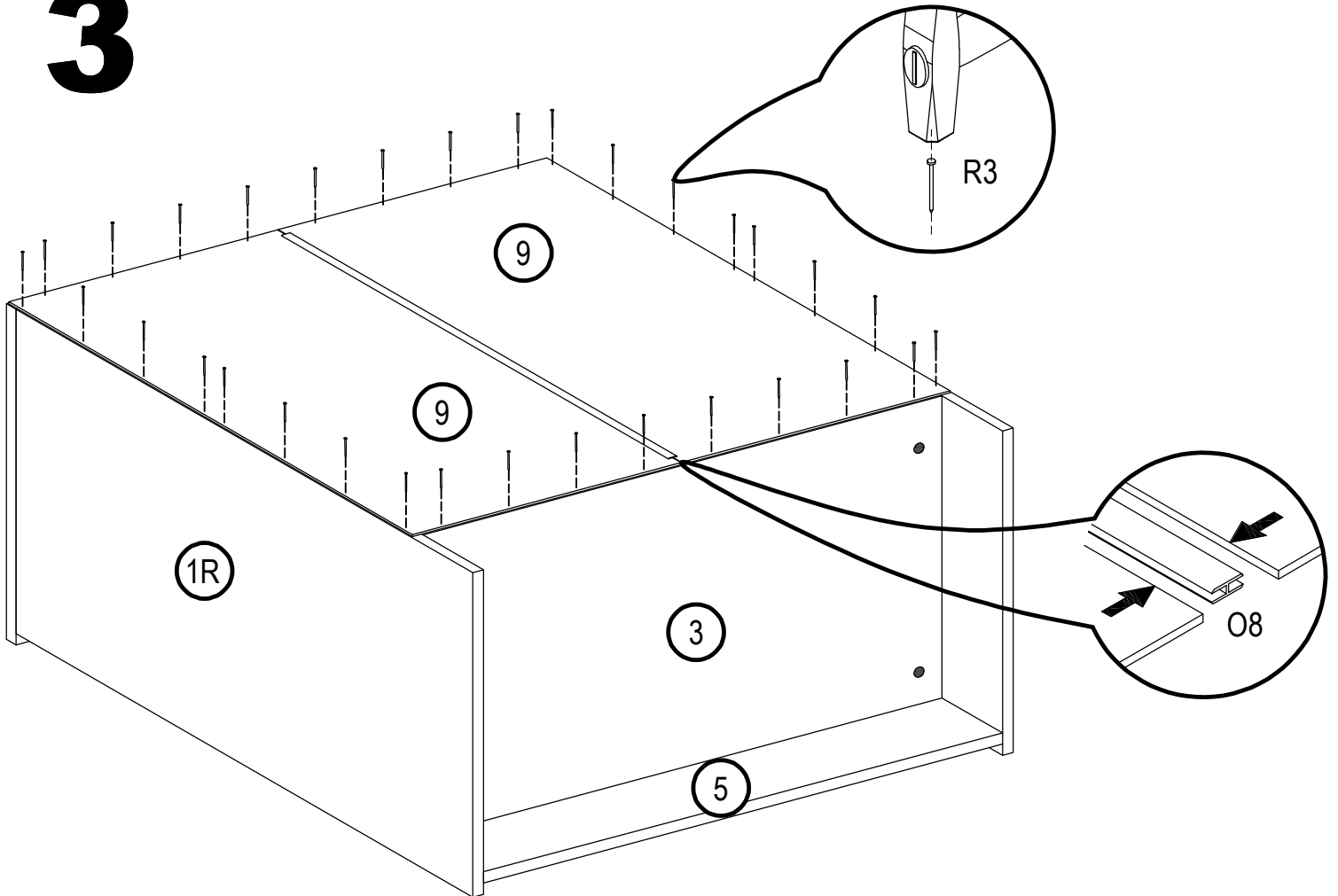




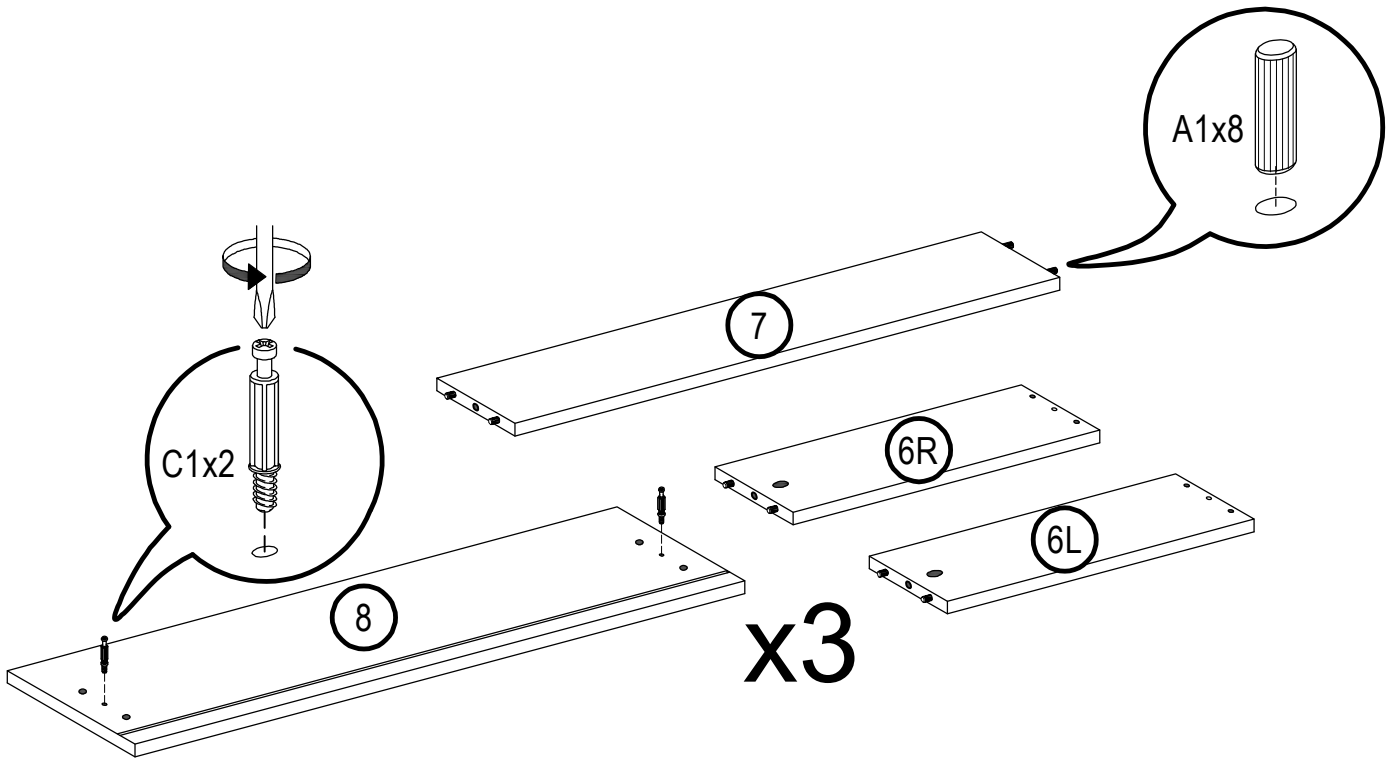
2



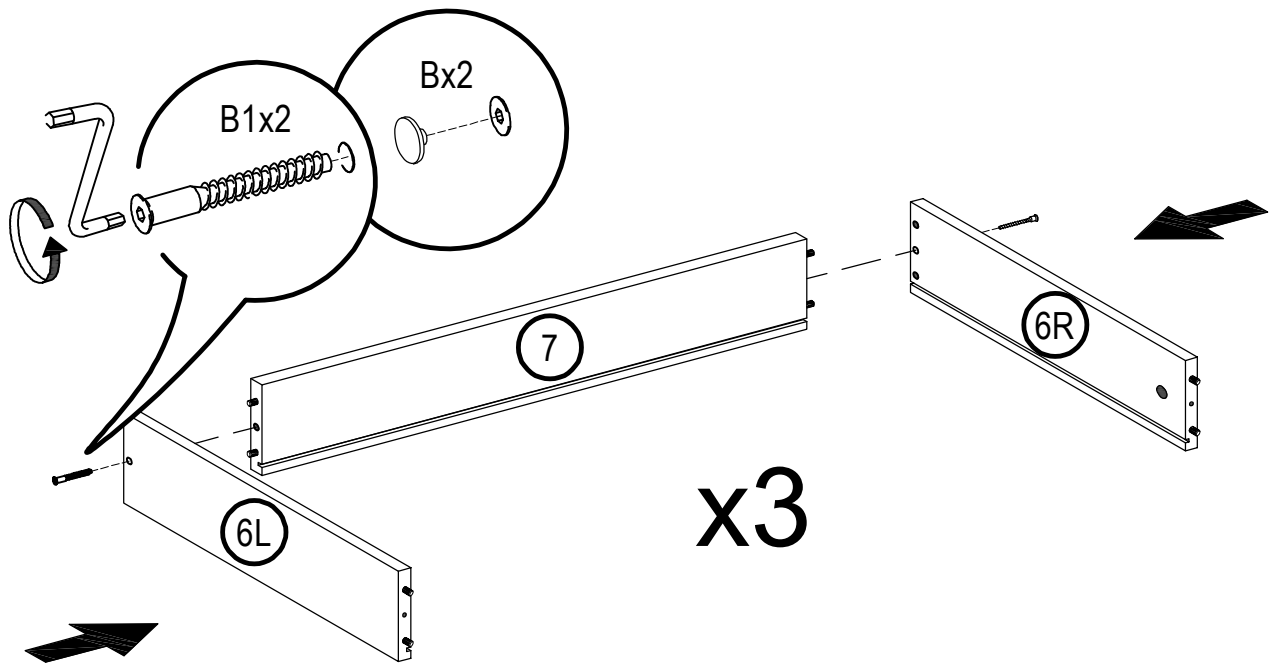
3



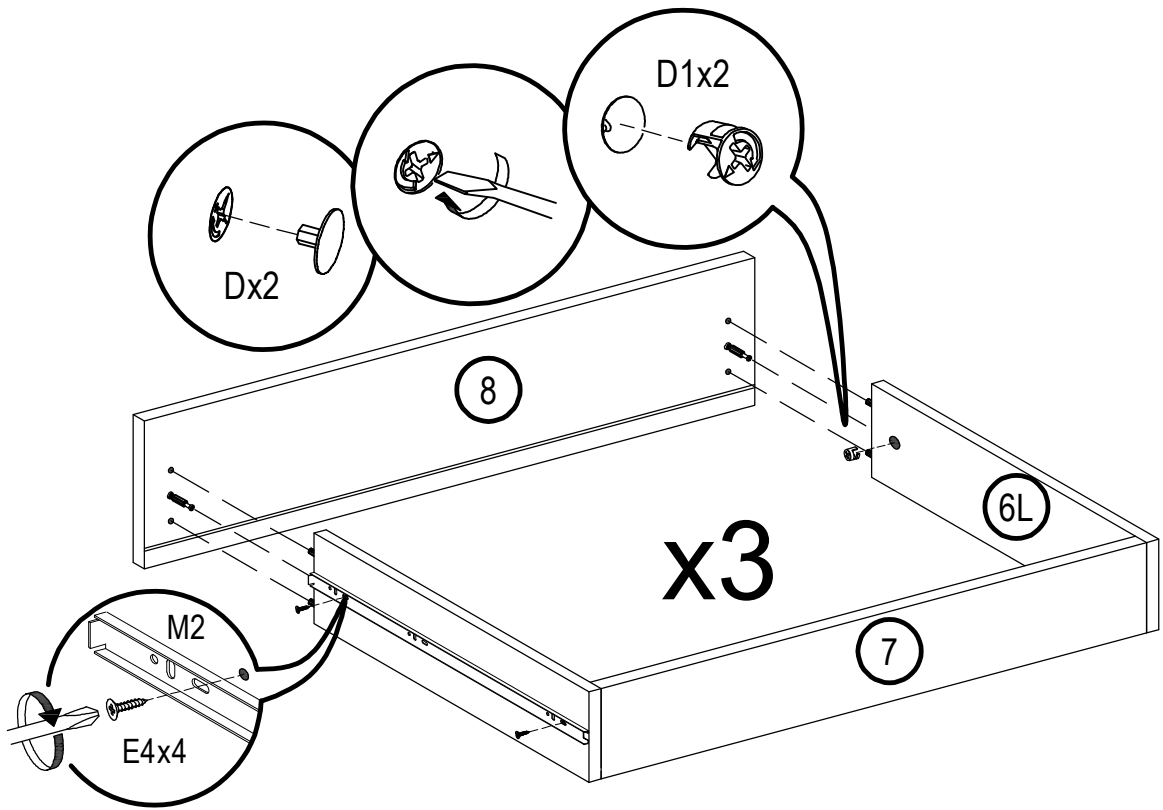
4



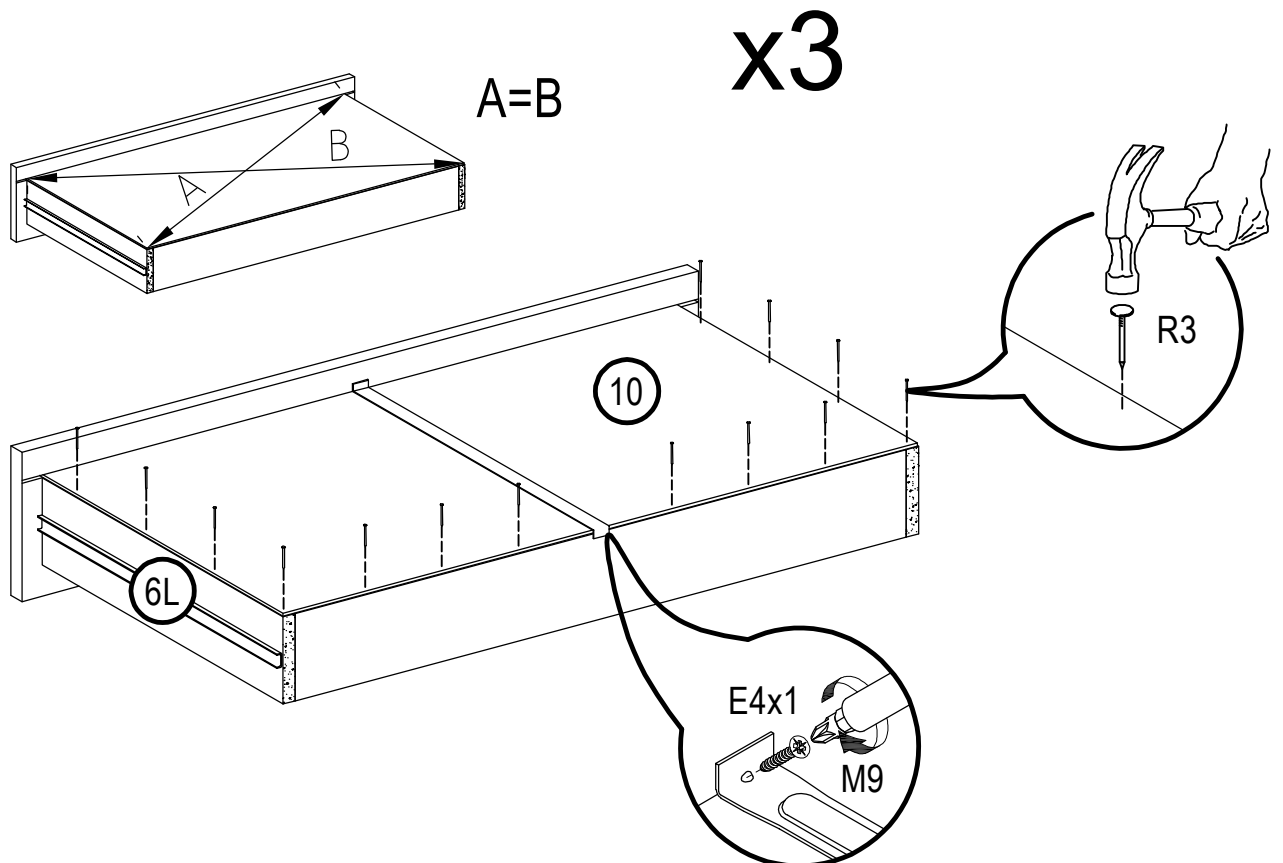
5



6



7



9

