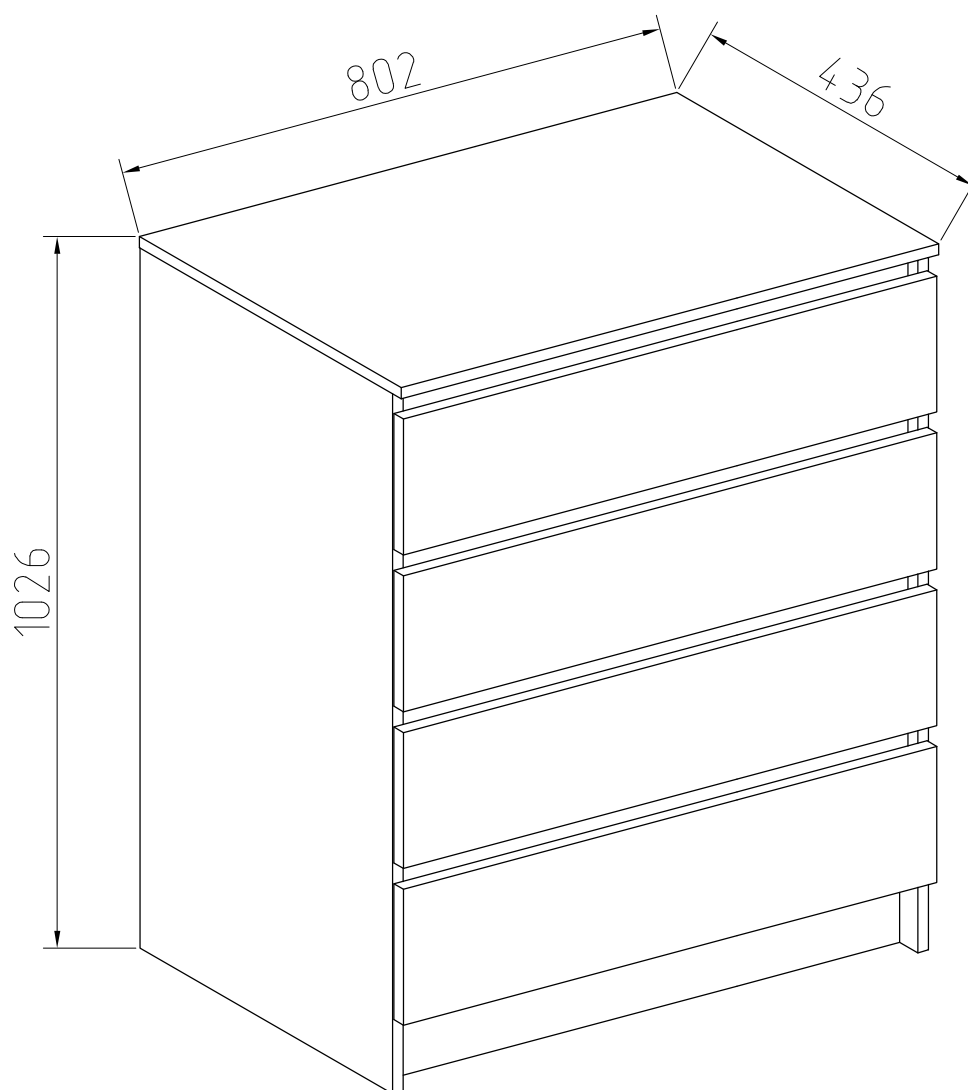



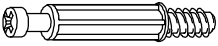


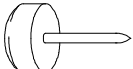
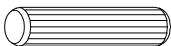

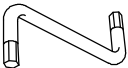

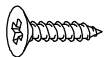
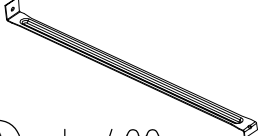
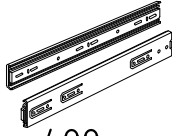



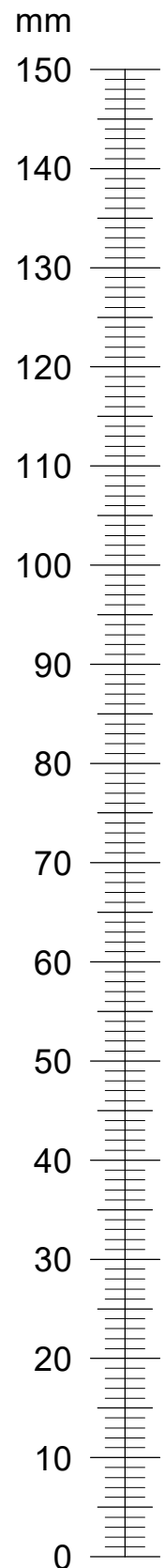
# CHEST INDUSTRIAL

---

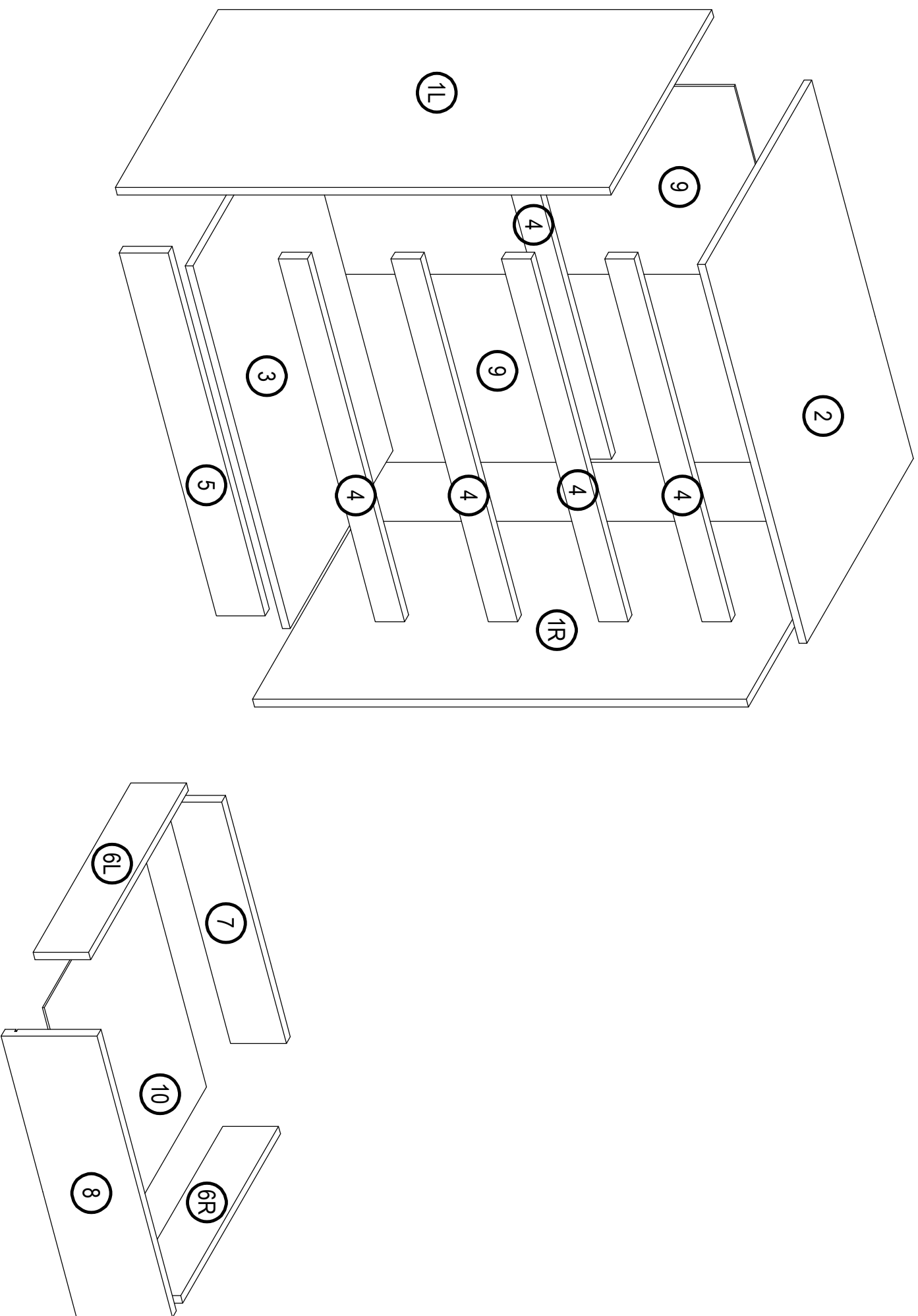
## 80/4D

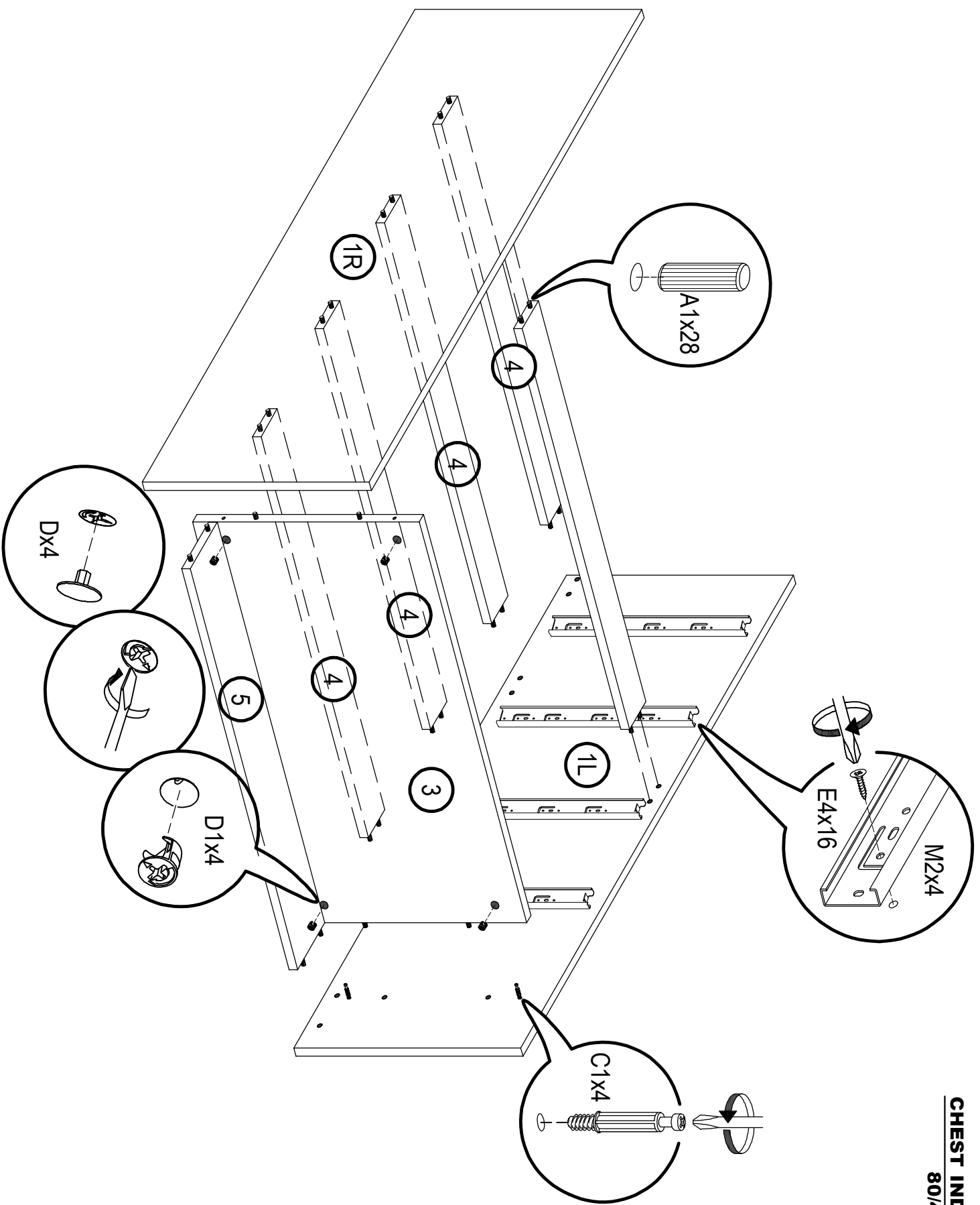


 <b>(R3)</b> 1.4*25mm 60g	 <b>(C1)</b> 6*43mm x16	 <b>(D1)</b> 15/16 x16
 <b>(D)</b> $\phi$ 20mm x16	 <b>(K1)</b> x4	 <b>(A1)</b> 8*30mm x64
 <b>(B)</b> x8	 <b>(R4)</b> x1	 <b>(B1)</b> 6,3*50mm x8
 <b>(E4)</b> 3,5*16 x40	 <b>(M9)</b> L-400mm x4	 <b>(M2)</b> 400 mm x4
 <b>(P4)</b> L-893 x1		

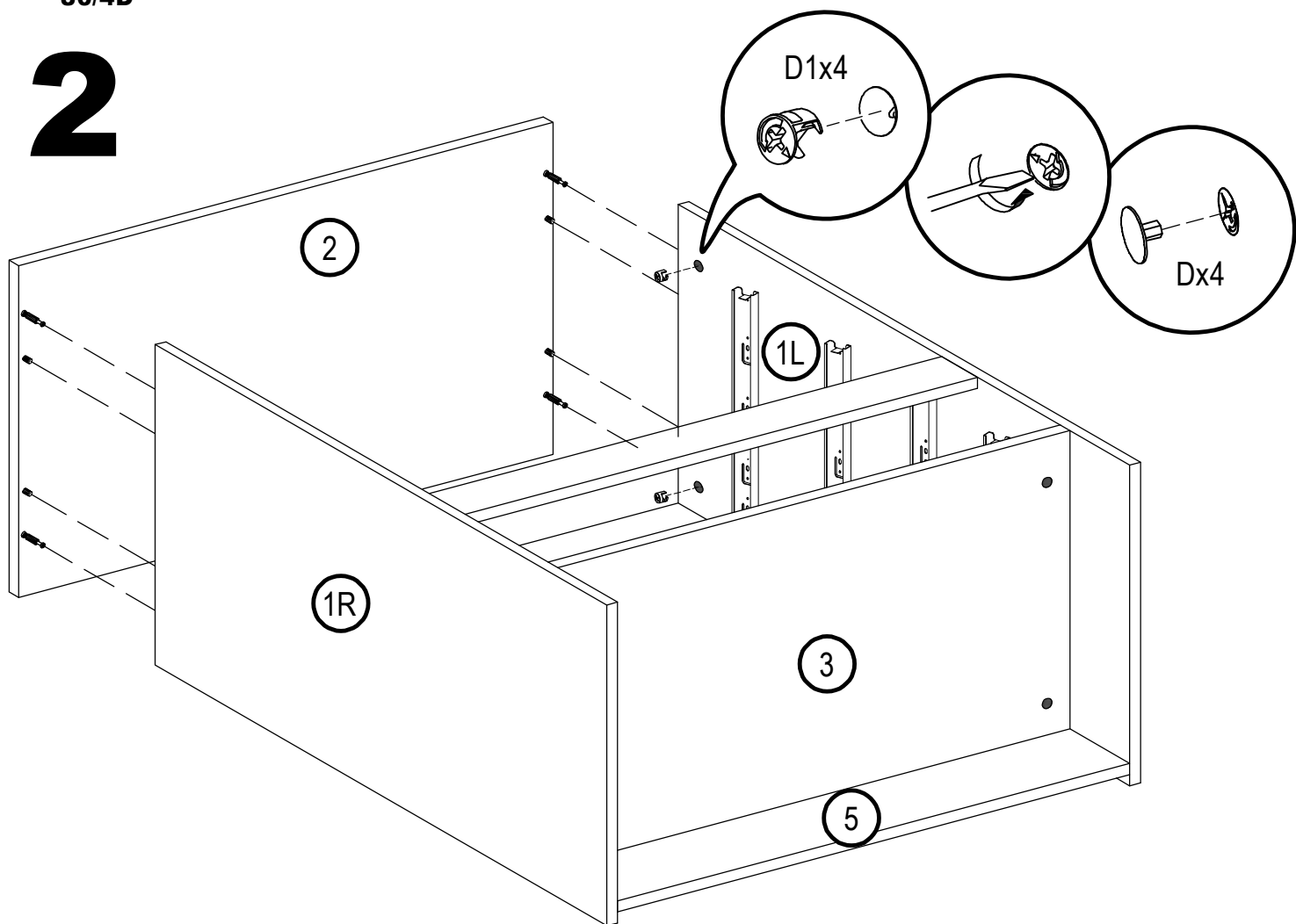


No	a*b	x
1R	1010x420	1
1L	1010x420	1
2	802x436	1
3	768x420	1
4	768x60	5
5	768x100	1
6R	400x110	4
6L	400x110	4
7	711x110	4
8	796x196	4
9	922x397	2
10	741x403	4

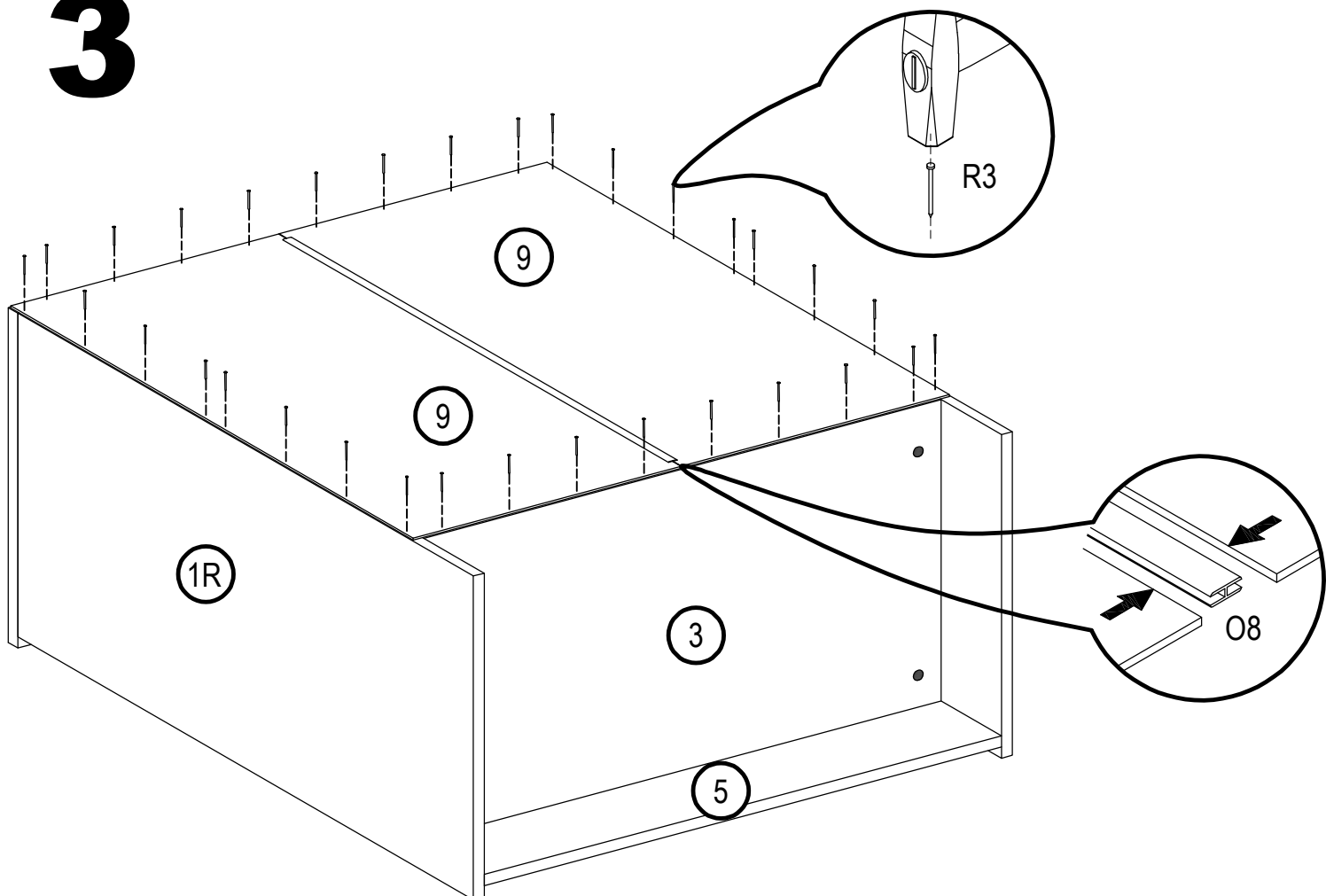




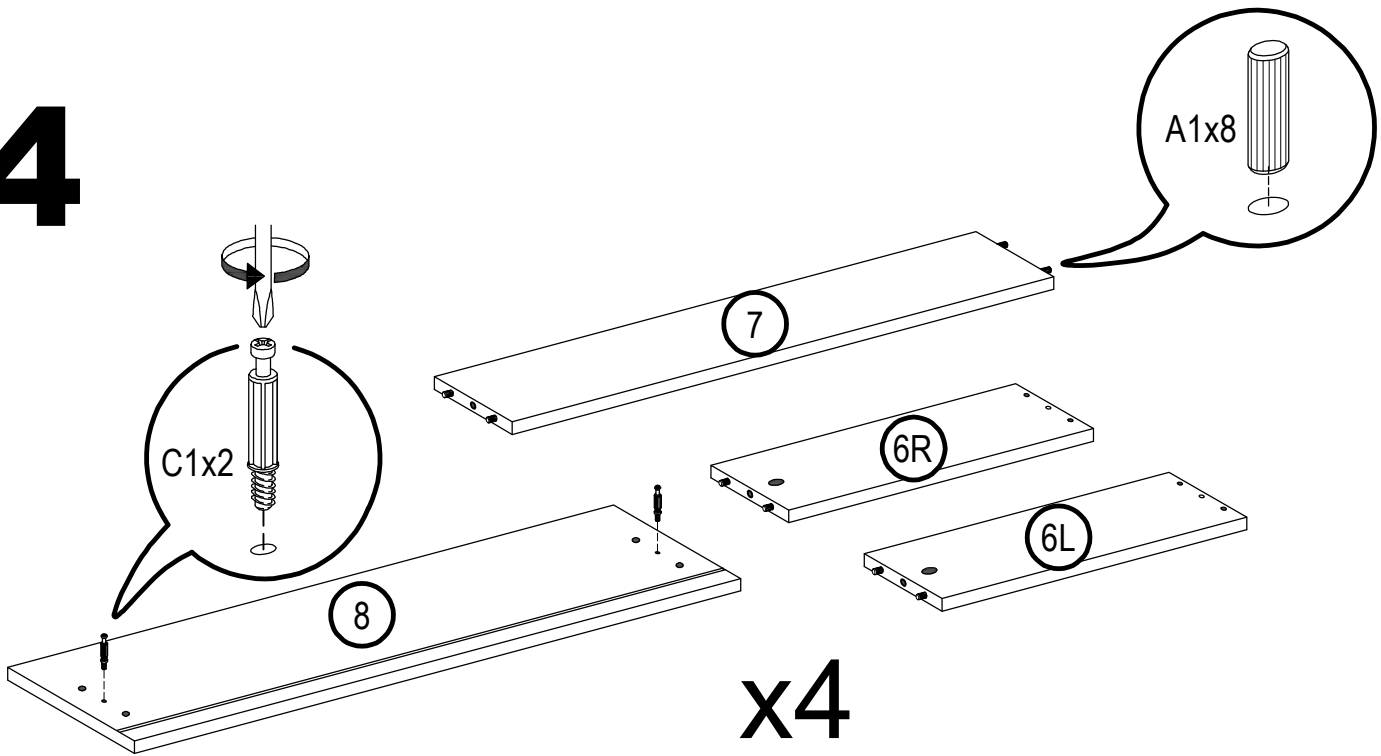
**2**



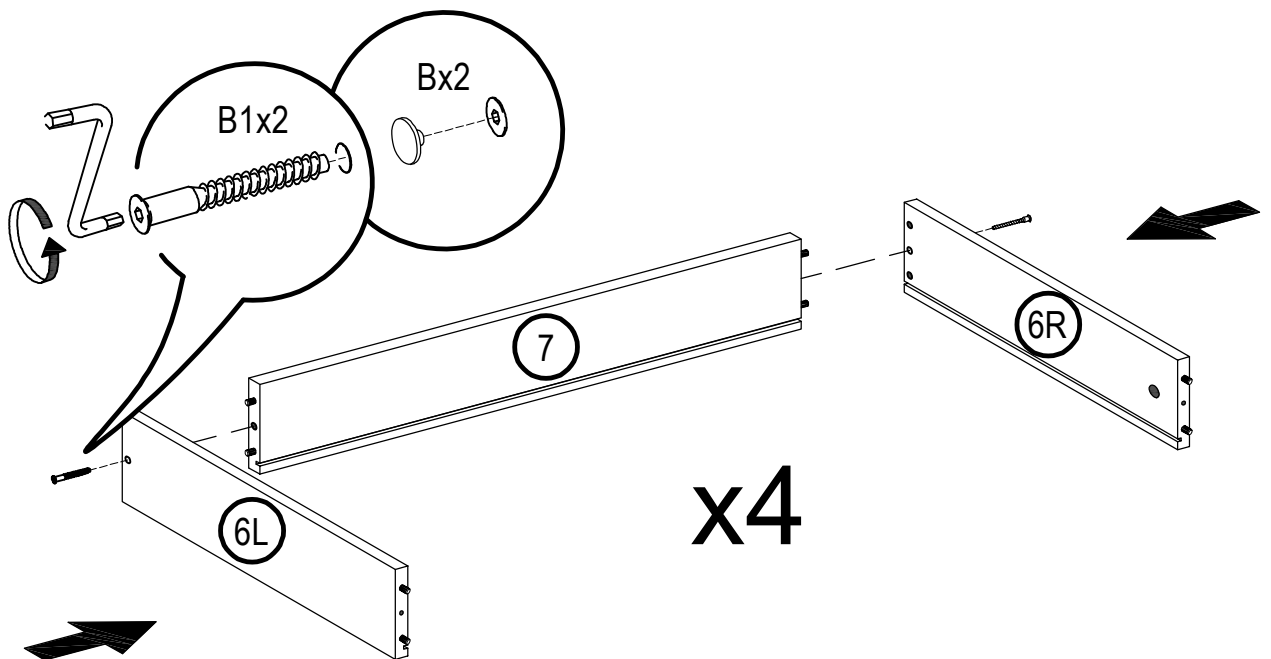
**3**



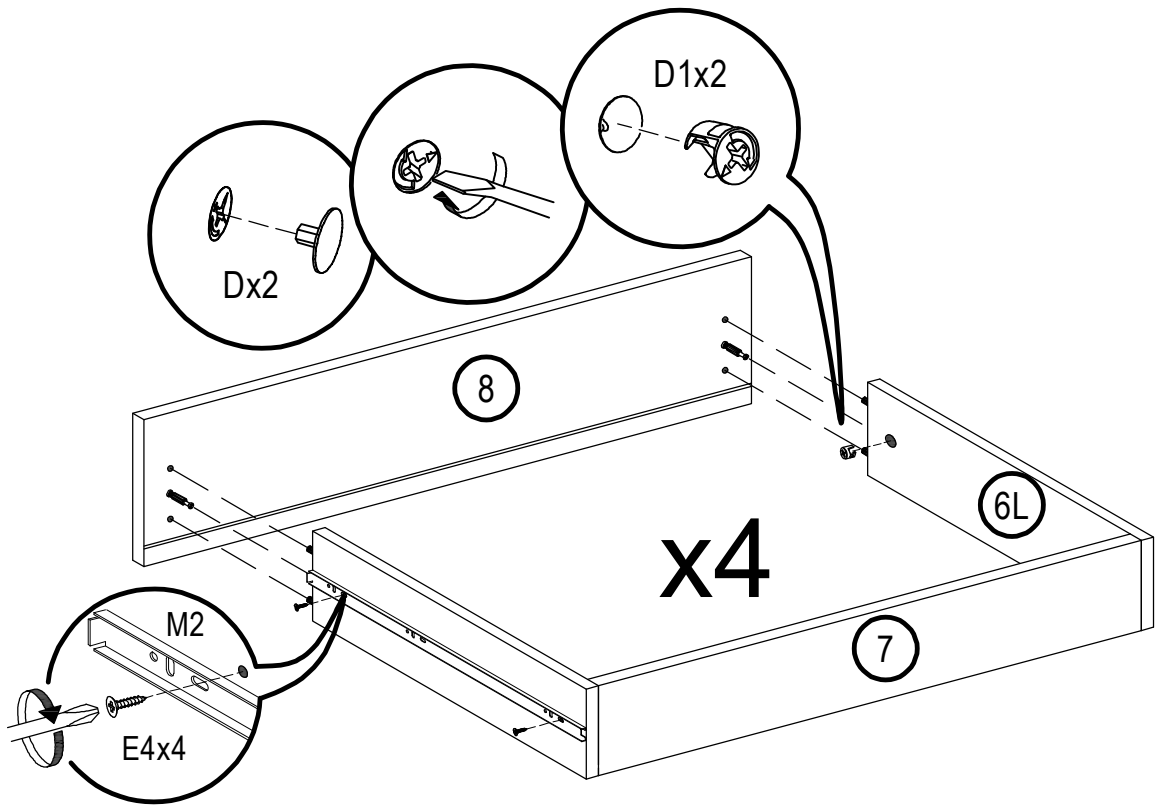
**4**



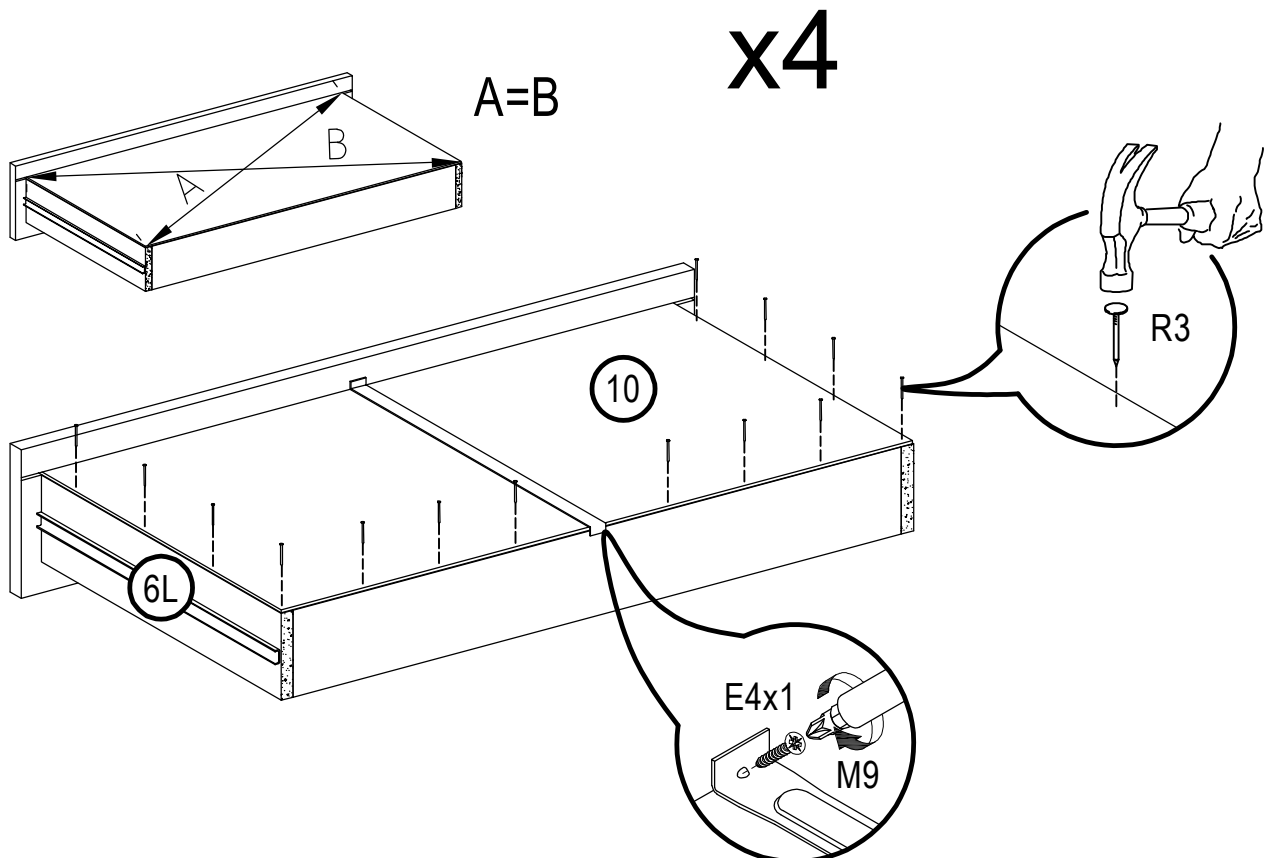
**5**



# 6



# 7



**9**

