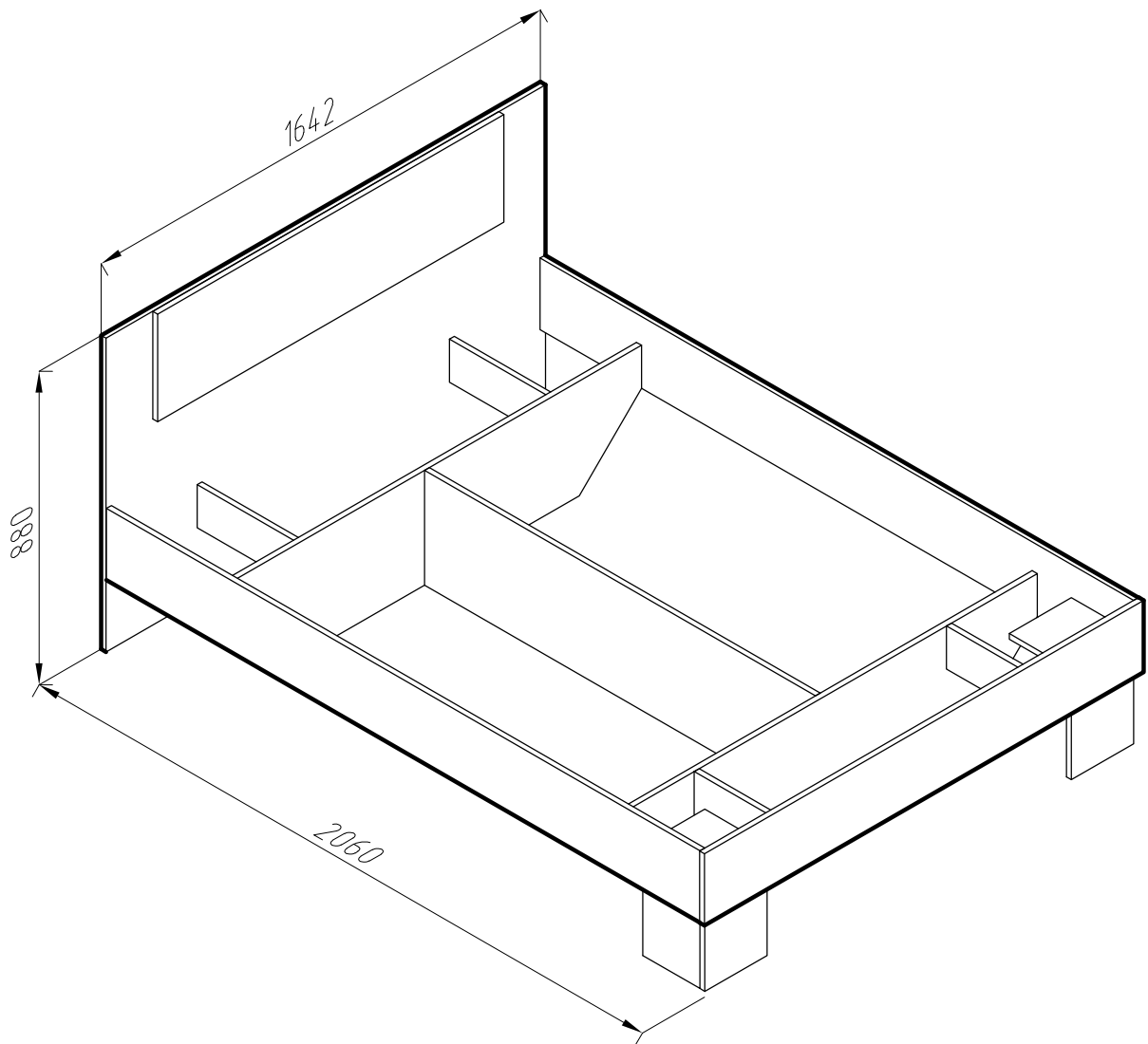
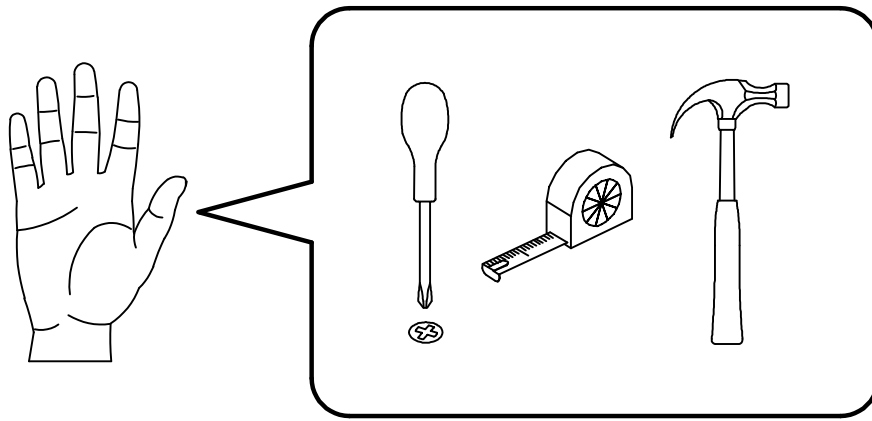
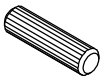

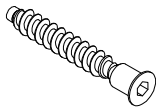
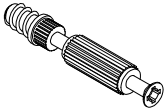






LILEYA

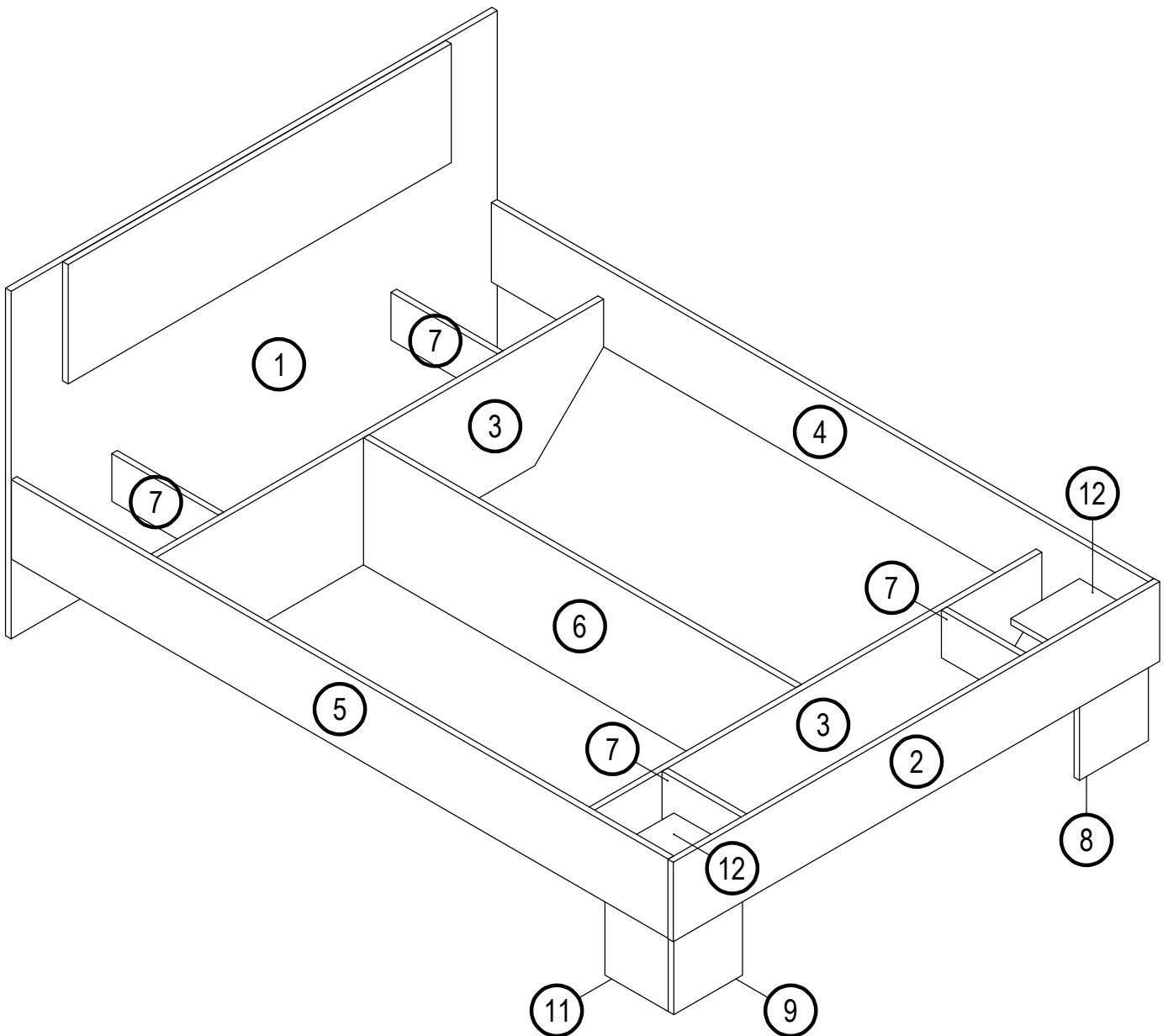
DOUBLE BED 1.6

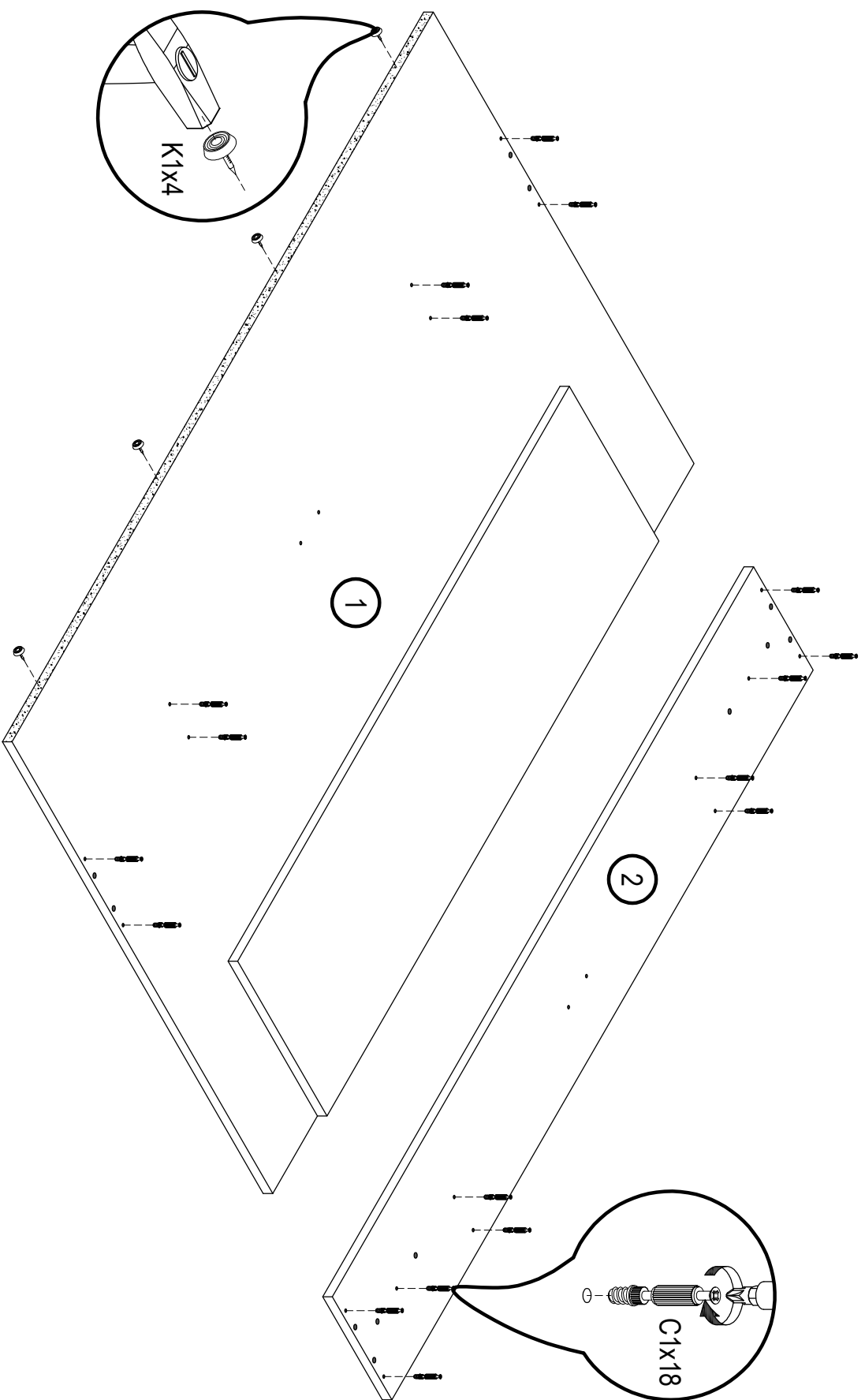




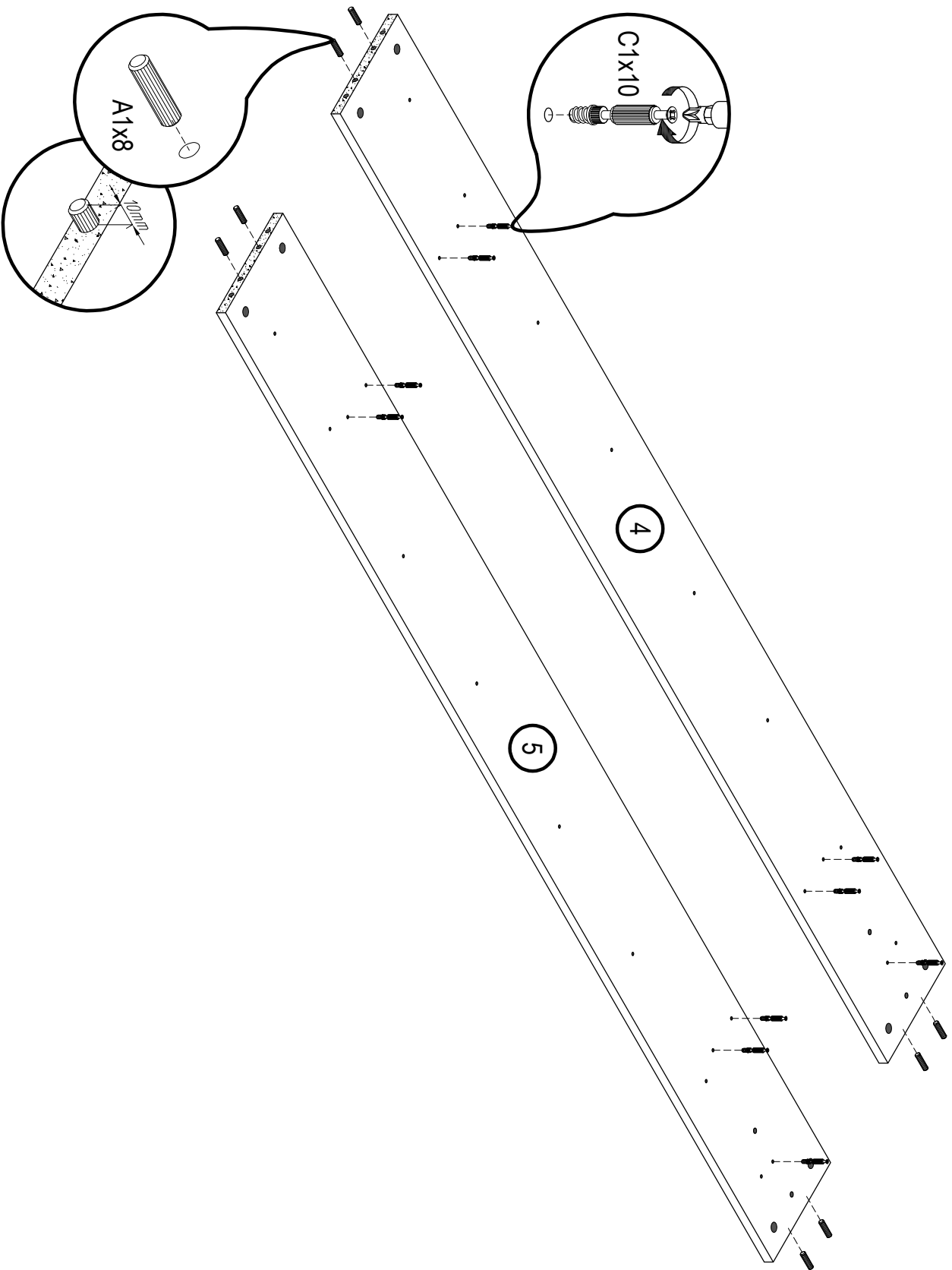
| | | |
|--|--|---|
|  A1 8*30mm x24 |  B ϕ 12mm x20 |  B1 6,3*50mm x20 |
|  C1 6*43mm x30 |  D ϕ 20mm x30 |  D1 15/16 x30 |
|  K1 x16 |  R4 N°4 x1 | |

| N° | a*b 152*202 | x | N° | a*b 152*202 | x |
|----|----------------|---|----|----------------|---|
| 1 | 875x1642 | 1 | 7 | 310x120 | 4 |
| 2 | 1642x200 | 1 | 8 | 292x200 | 1 |
| 3 | 1610x320 | 2 | 9 | 292x200 | 1 |
| 4 | 2030x200 | 1 | 10 | 292x184 | 1 |
| 5 | 2030x200 | 1 | 11 | 292x184 | 1 |
| 6 | 1378x320 | 1 | 12 | 292x184 | 2 |

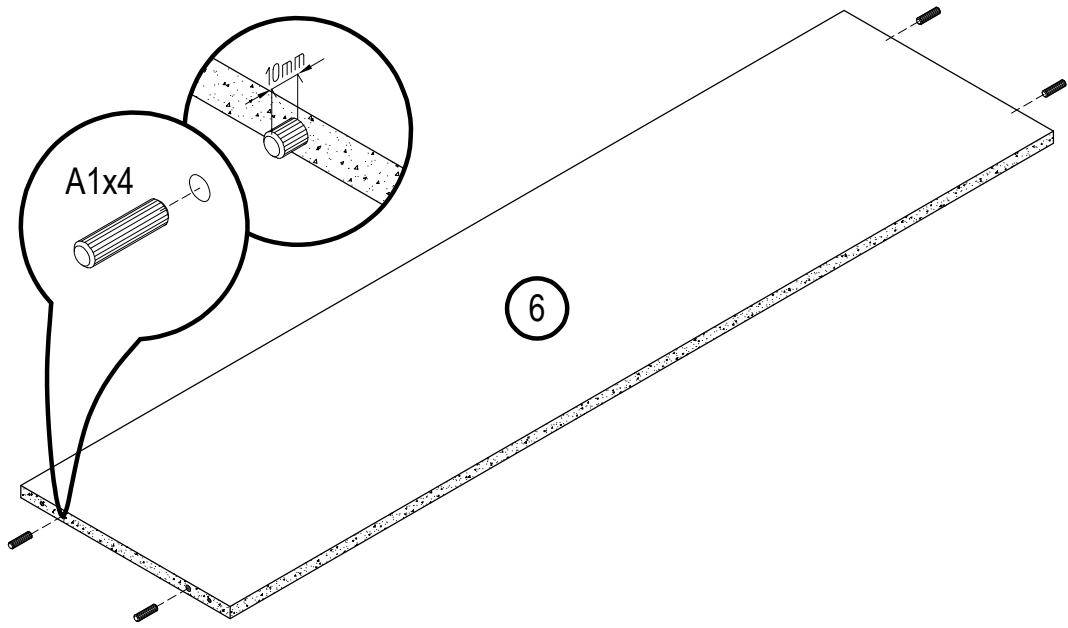




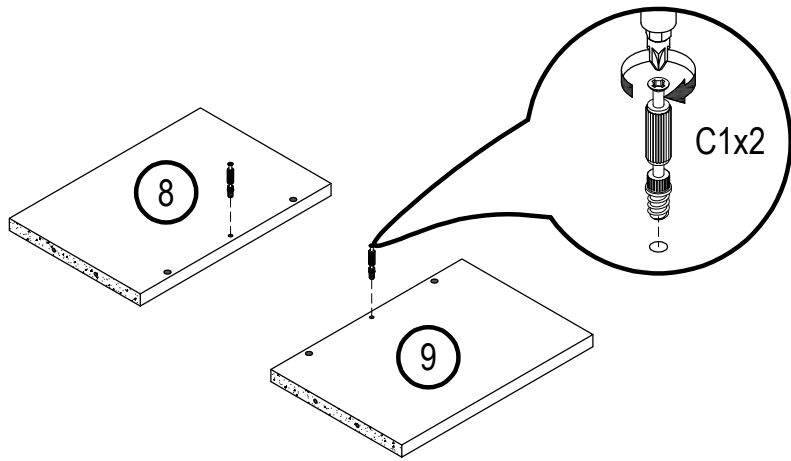
2



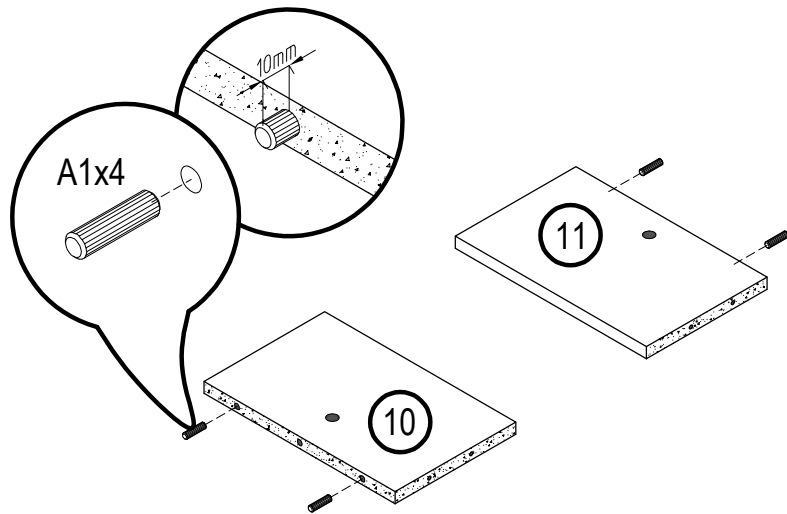
3



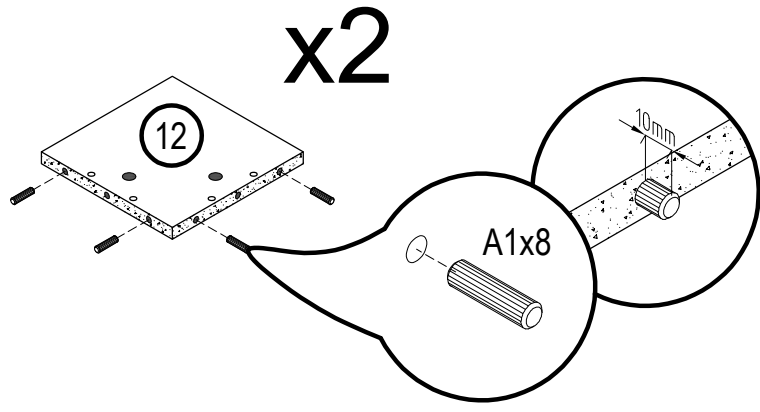
4



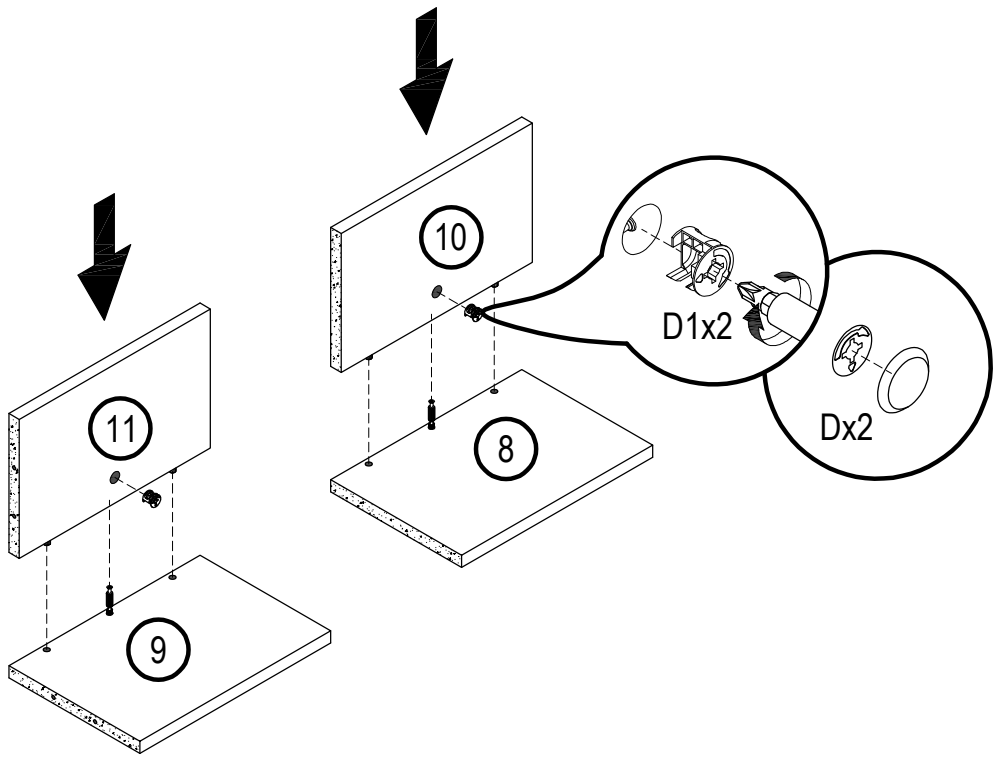
5

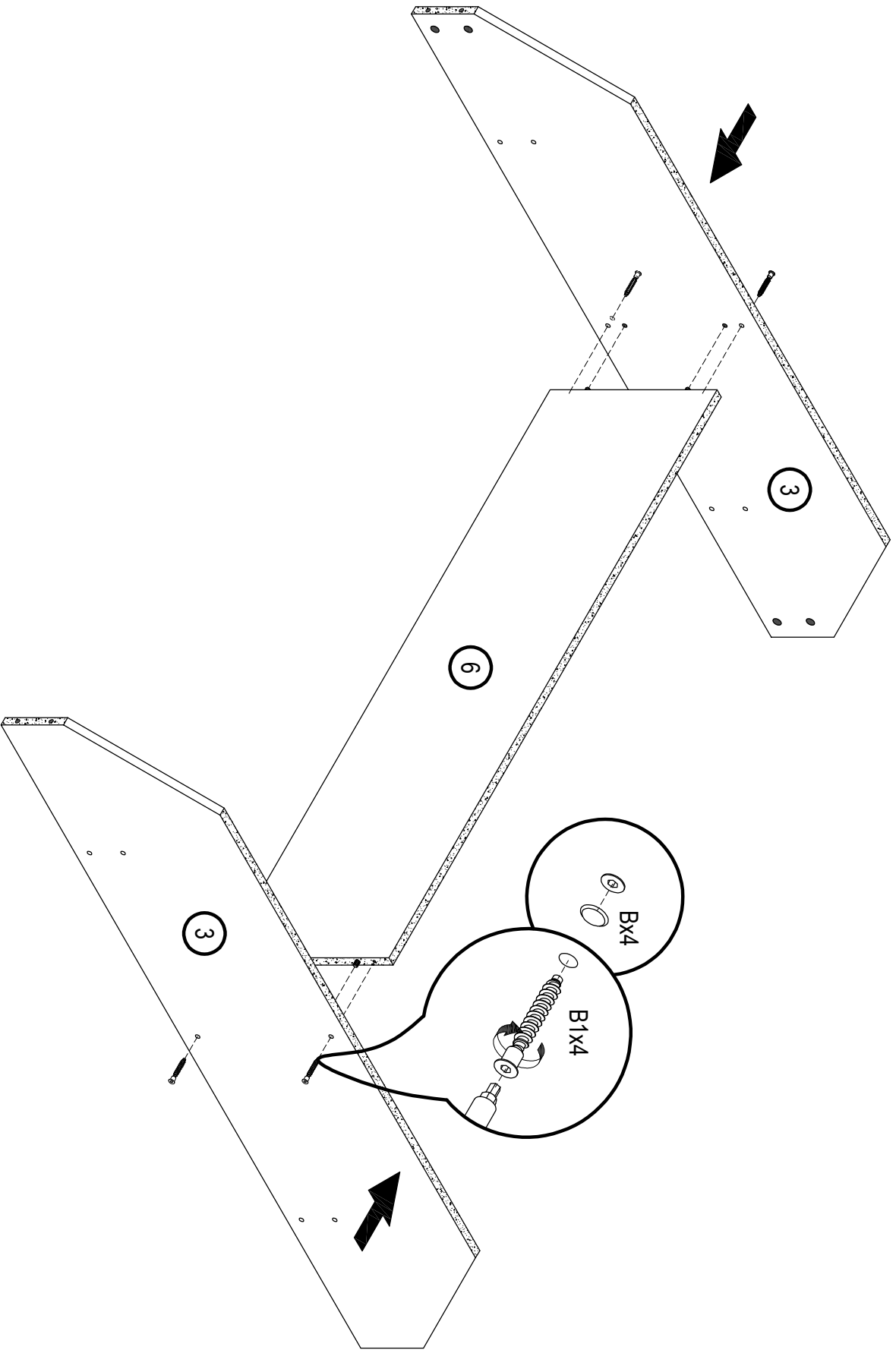


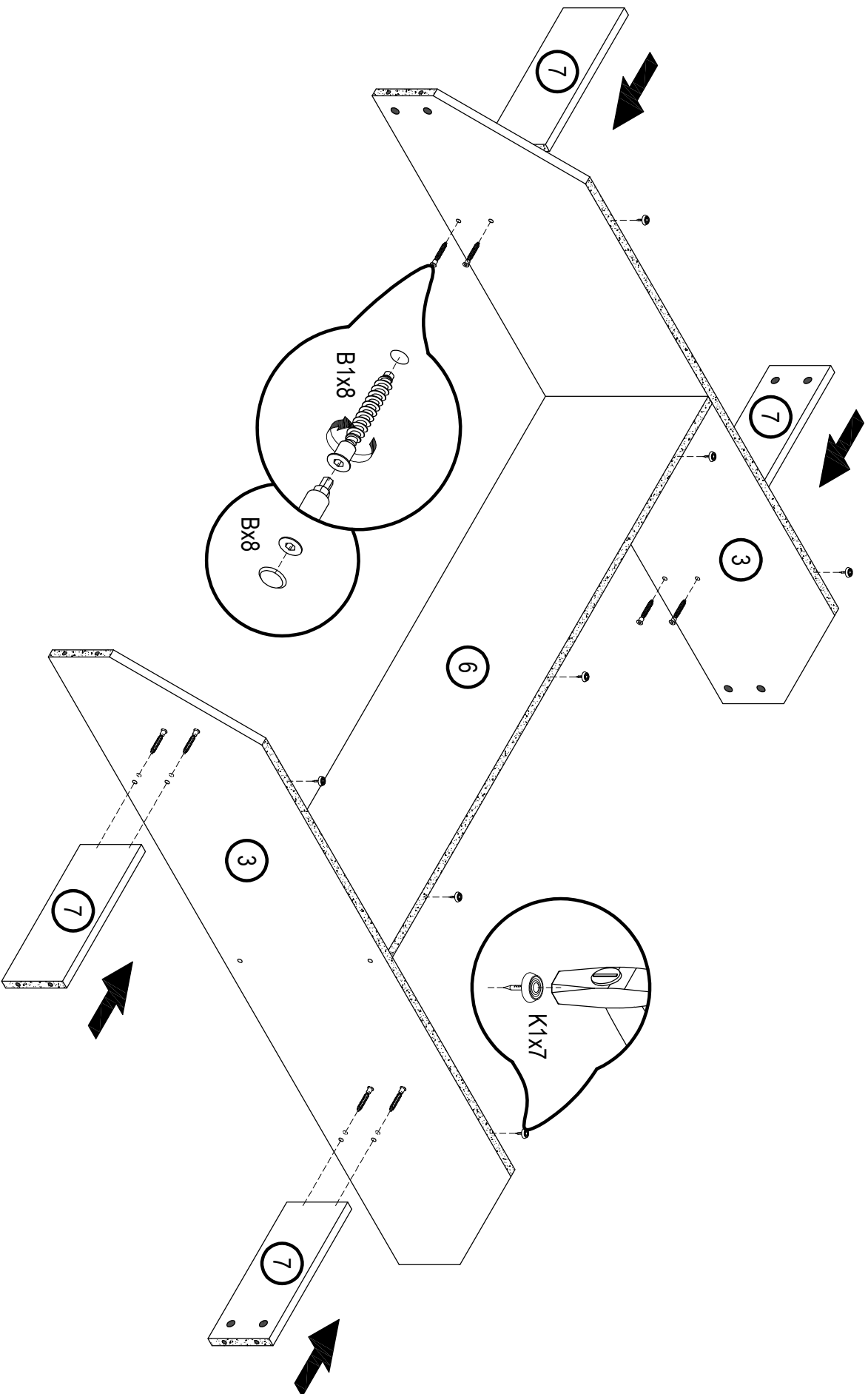
6



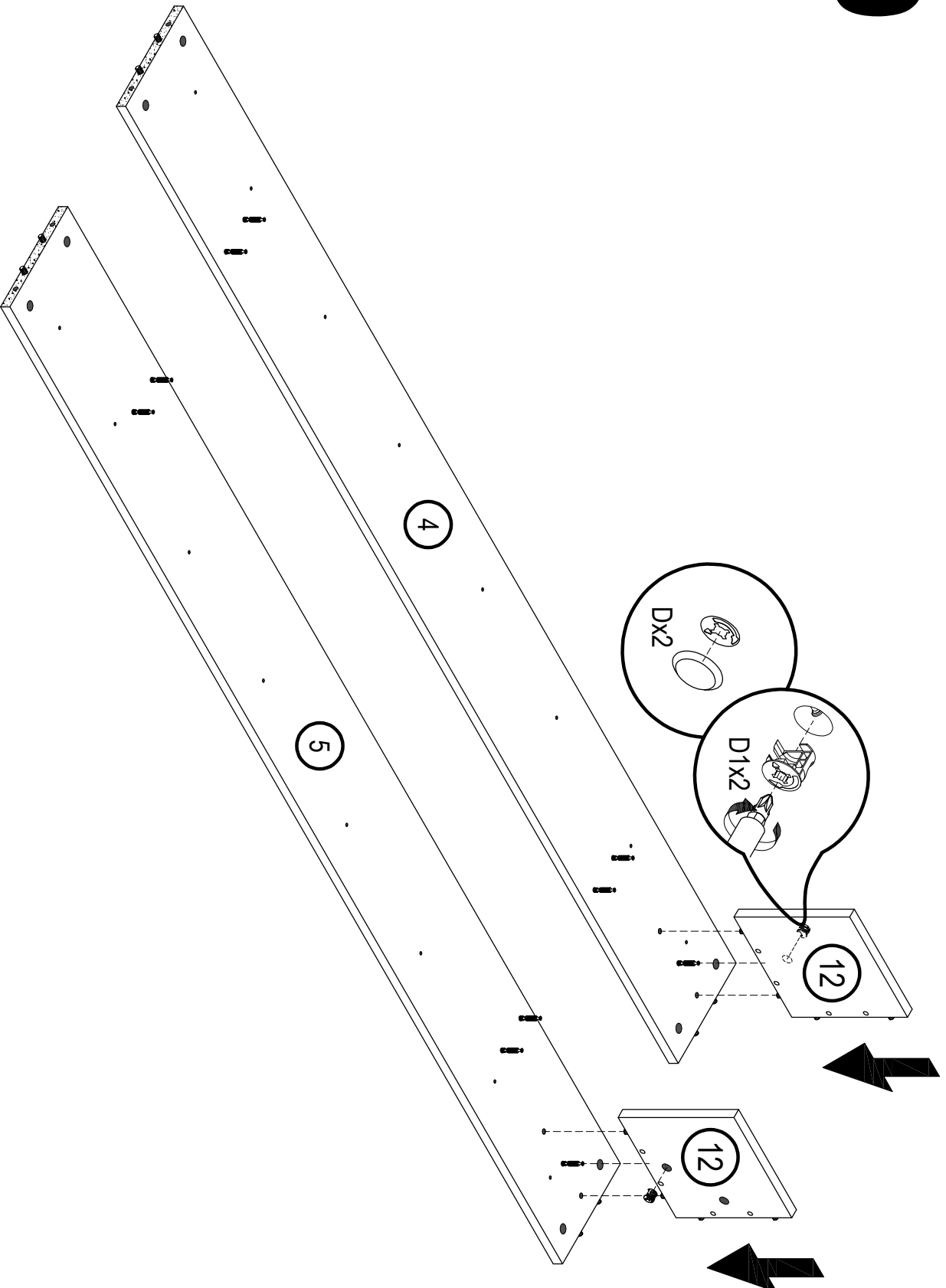
7



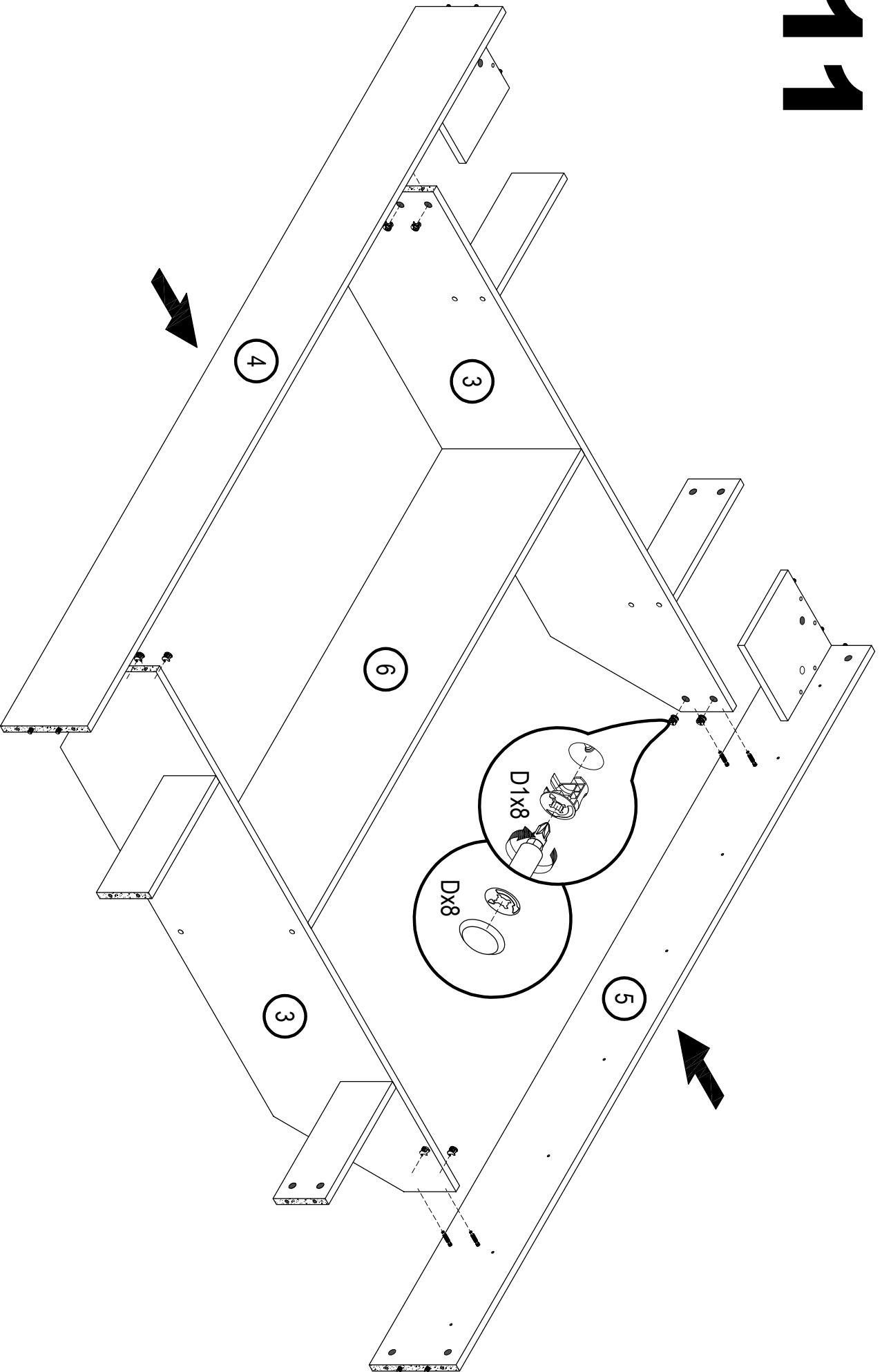




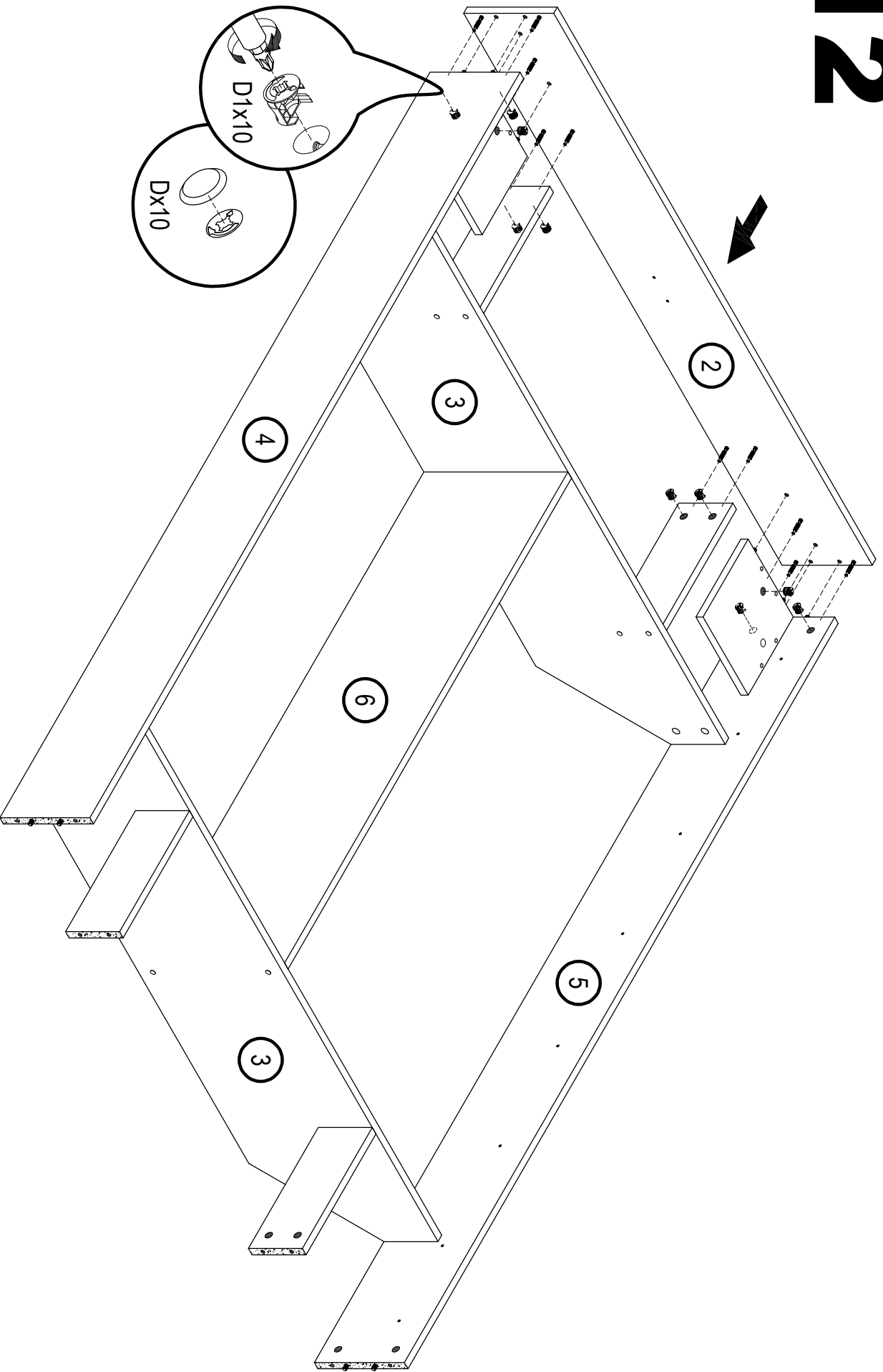
10



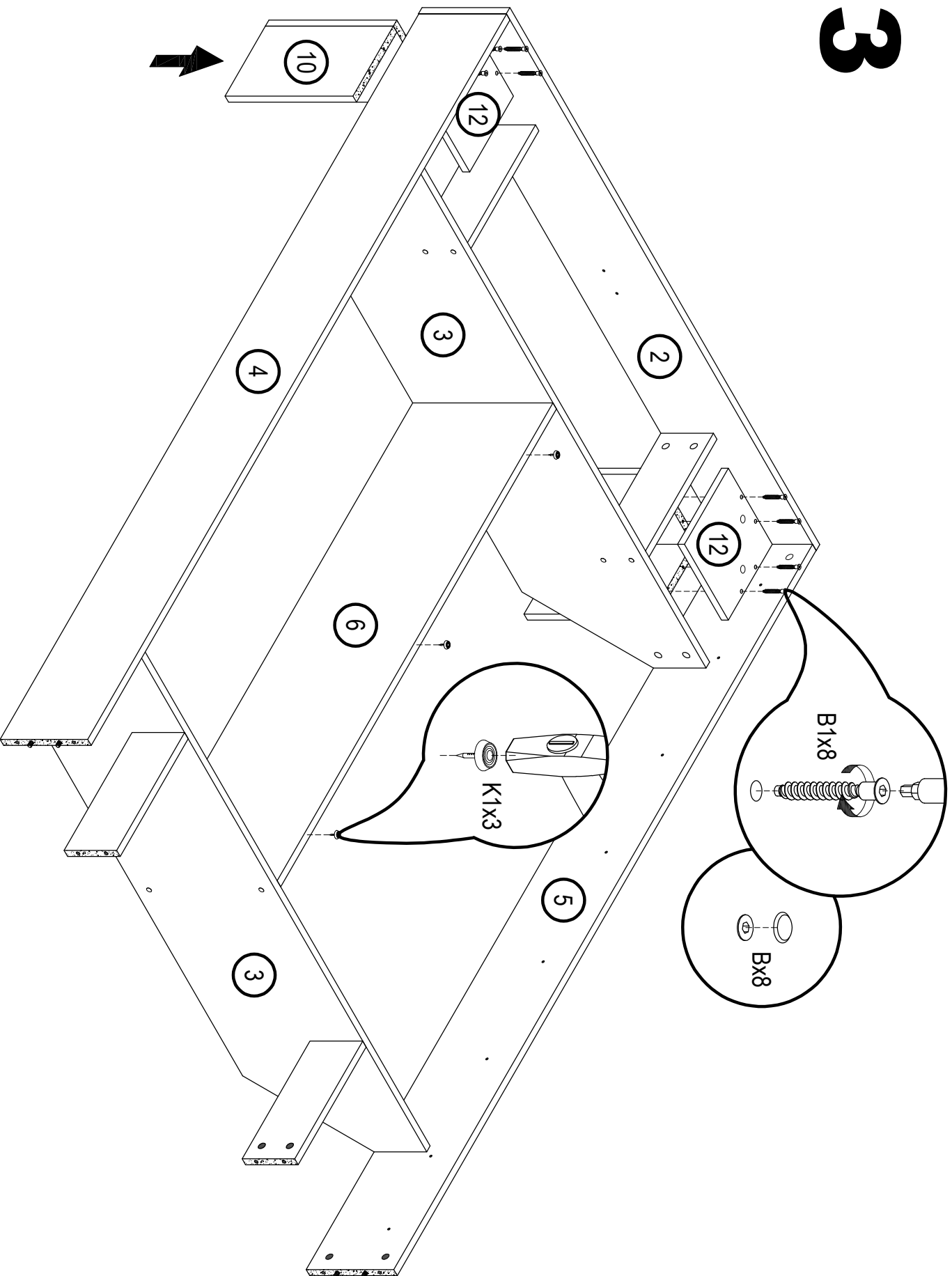
11



12



13



14

