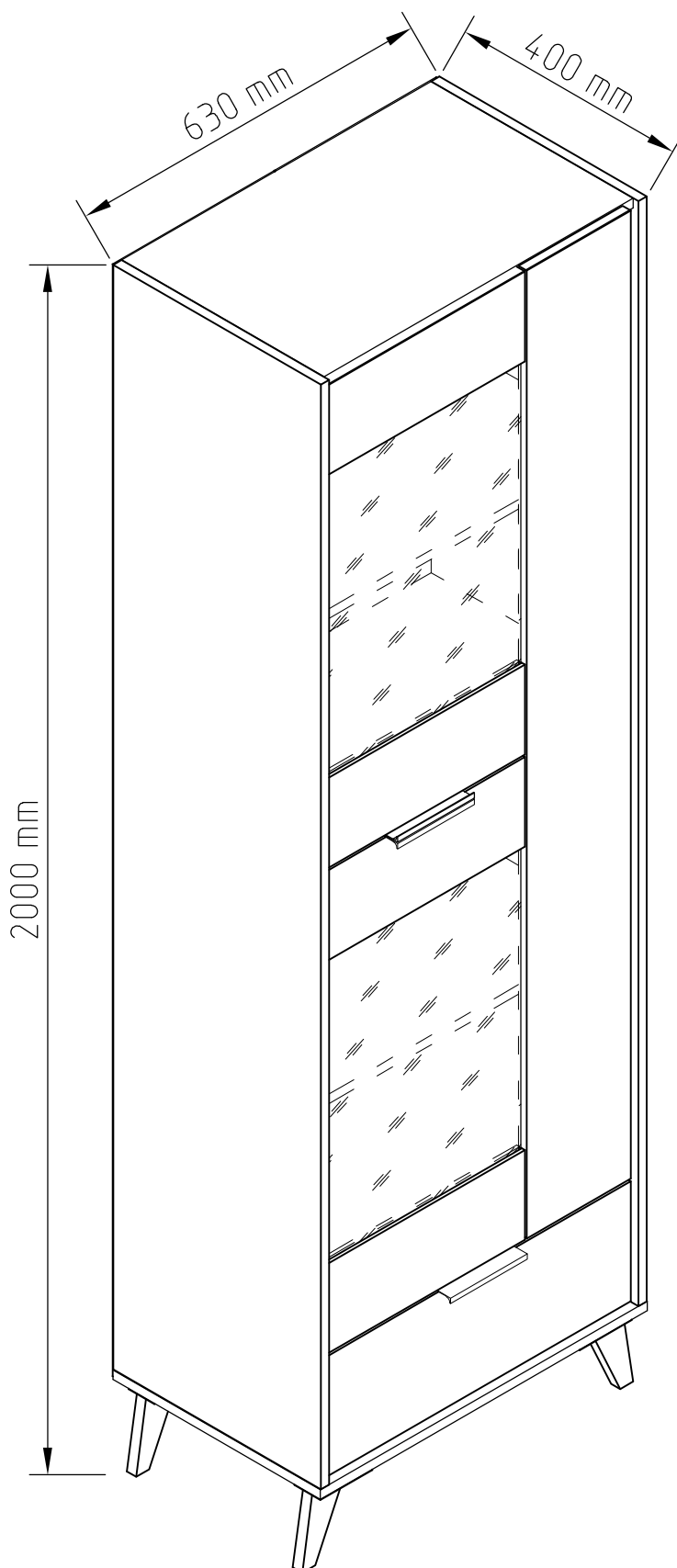
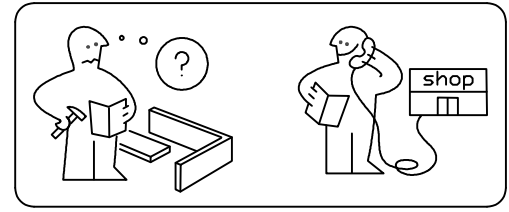
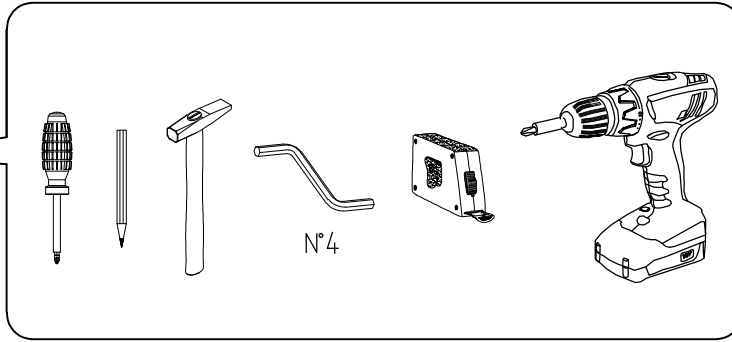
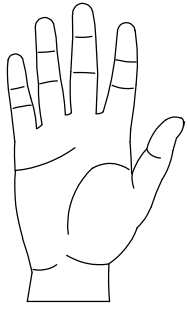


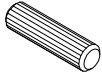

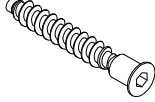
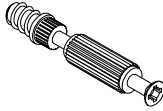
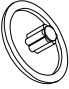



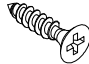


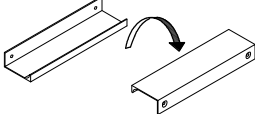
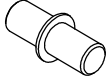
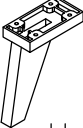
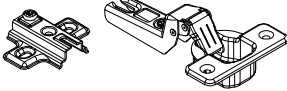
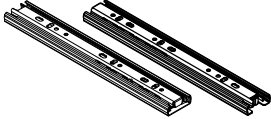





# КАМІЛА / CAMILA

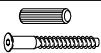
---

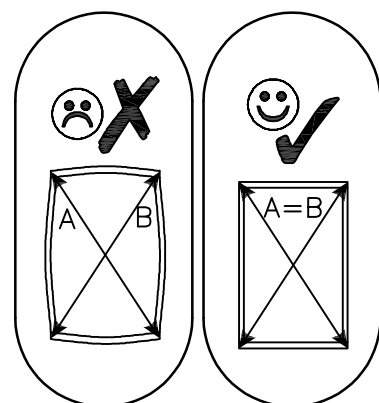
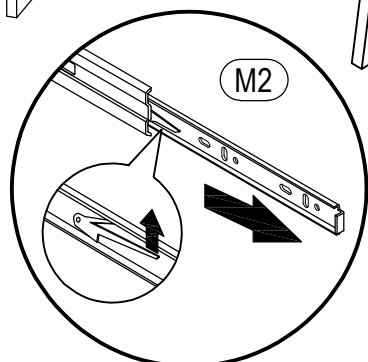
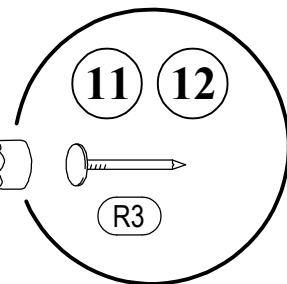
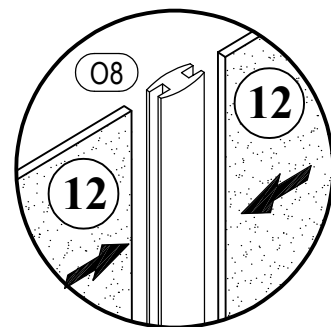
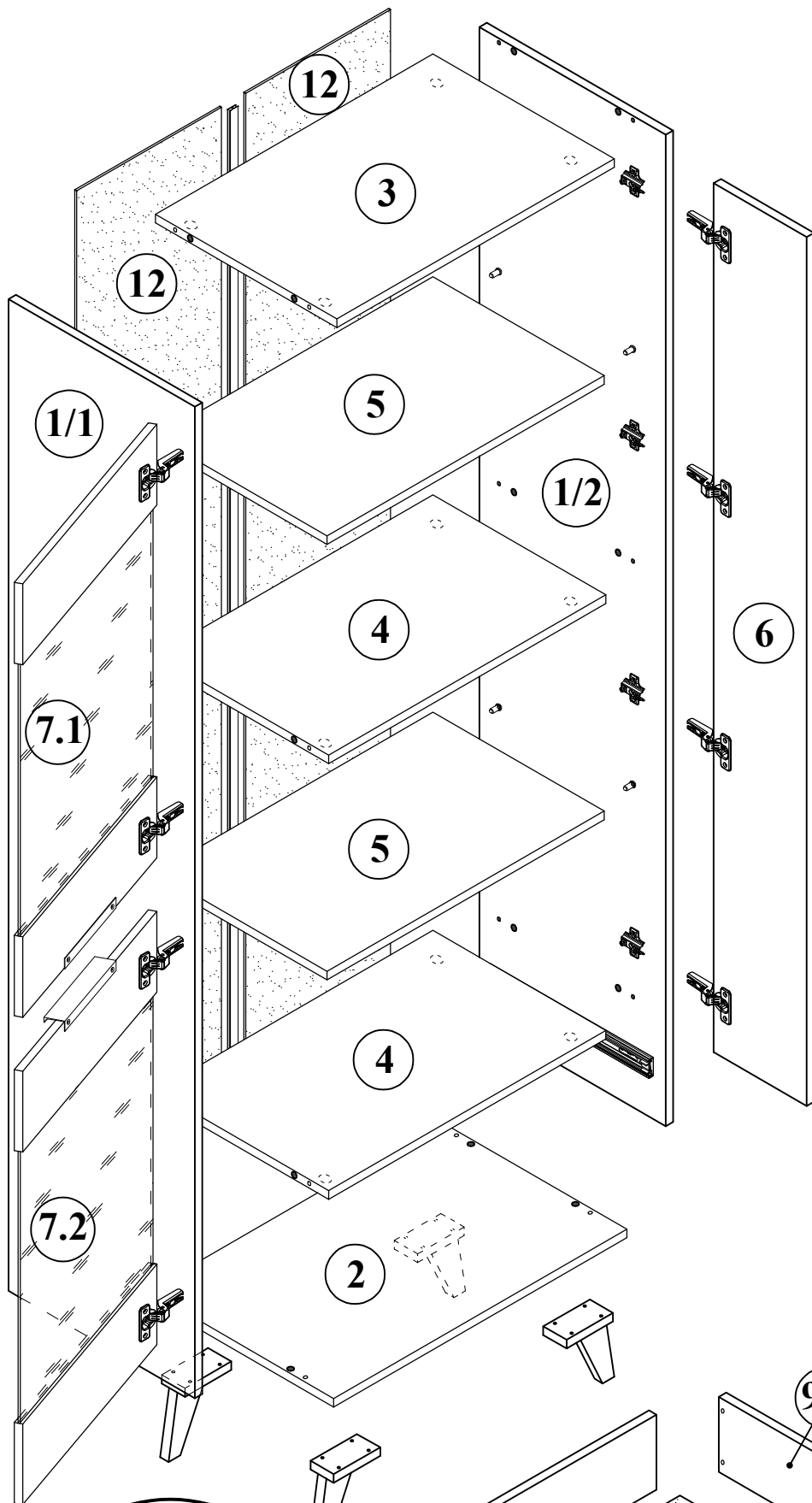
пенал Ск / cabinet GL

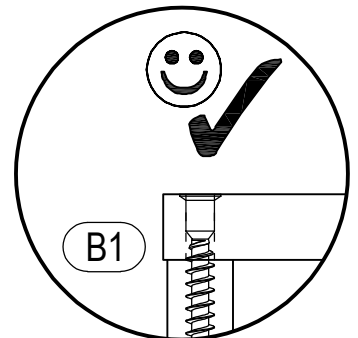
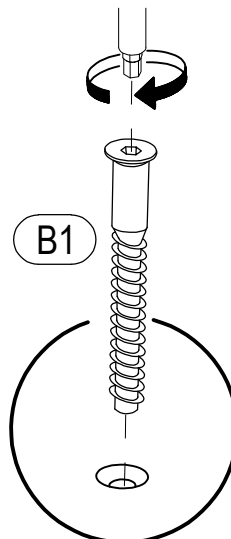
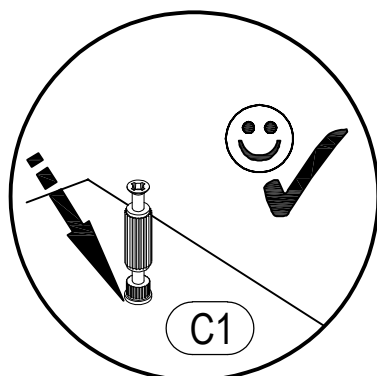
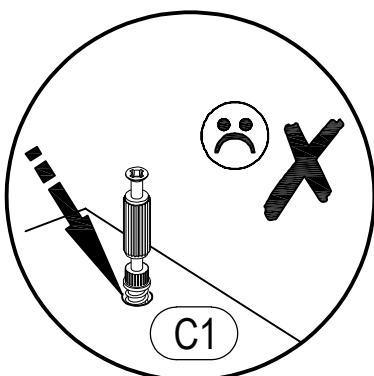
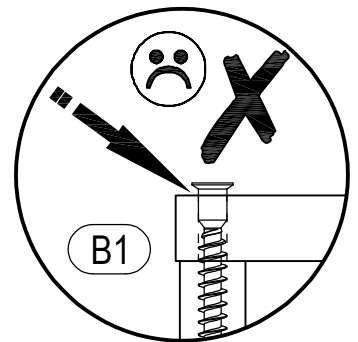
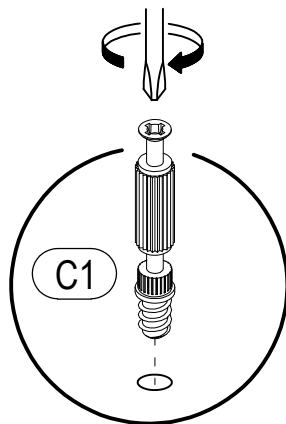
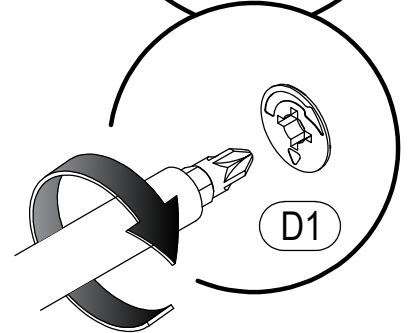
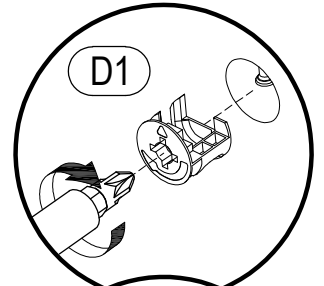
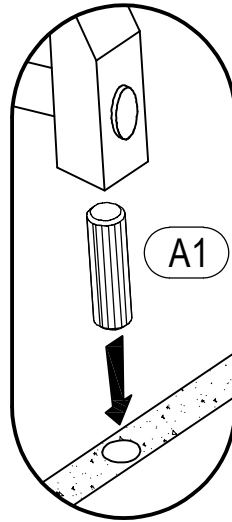
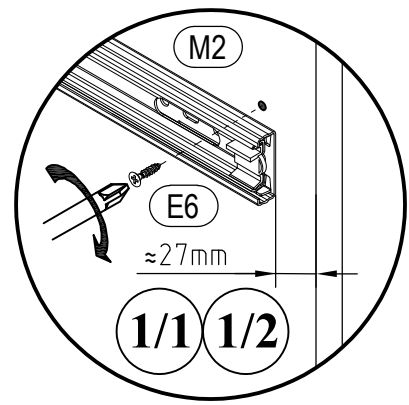
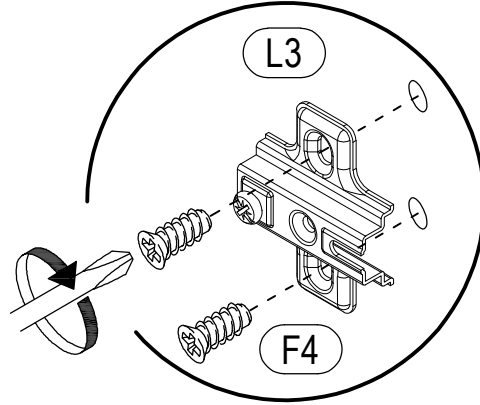
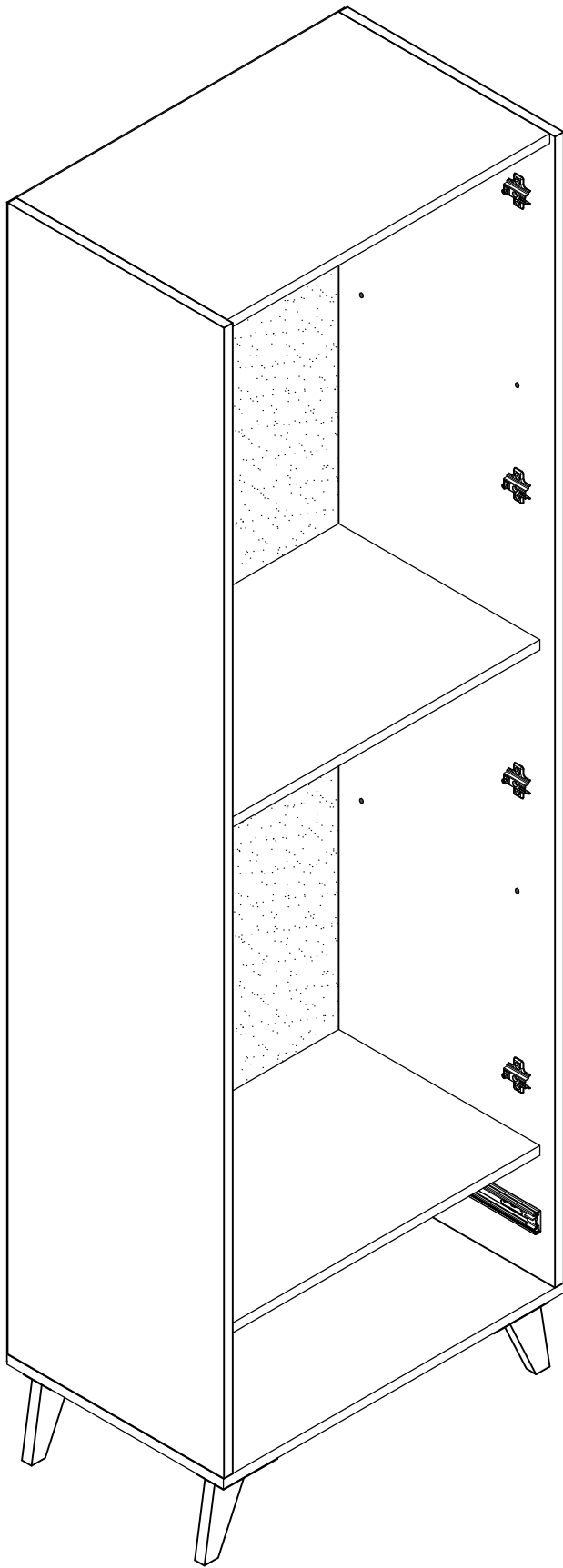


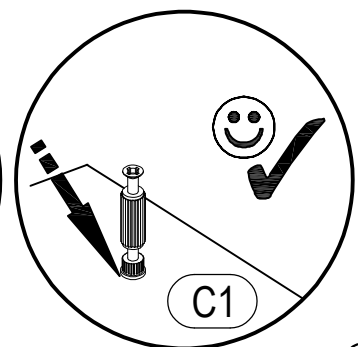
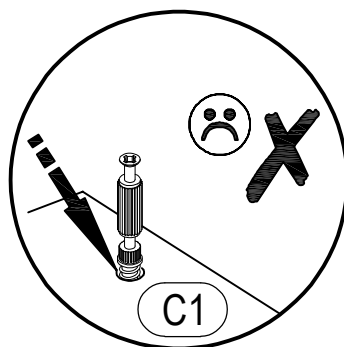
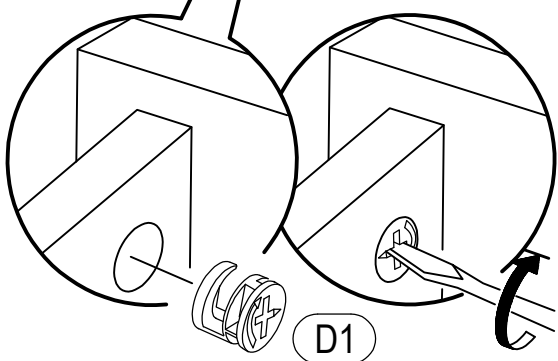
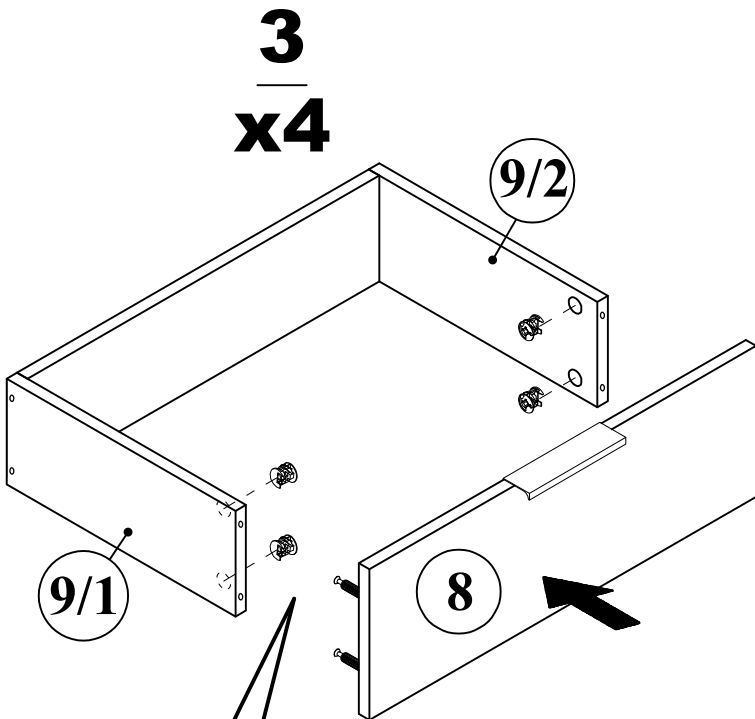
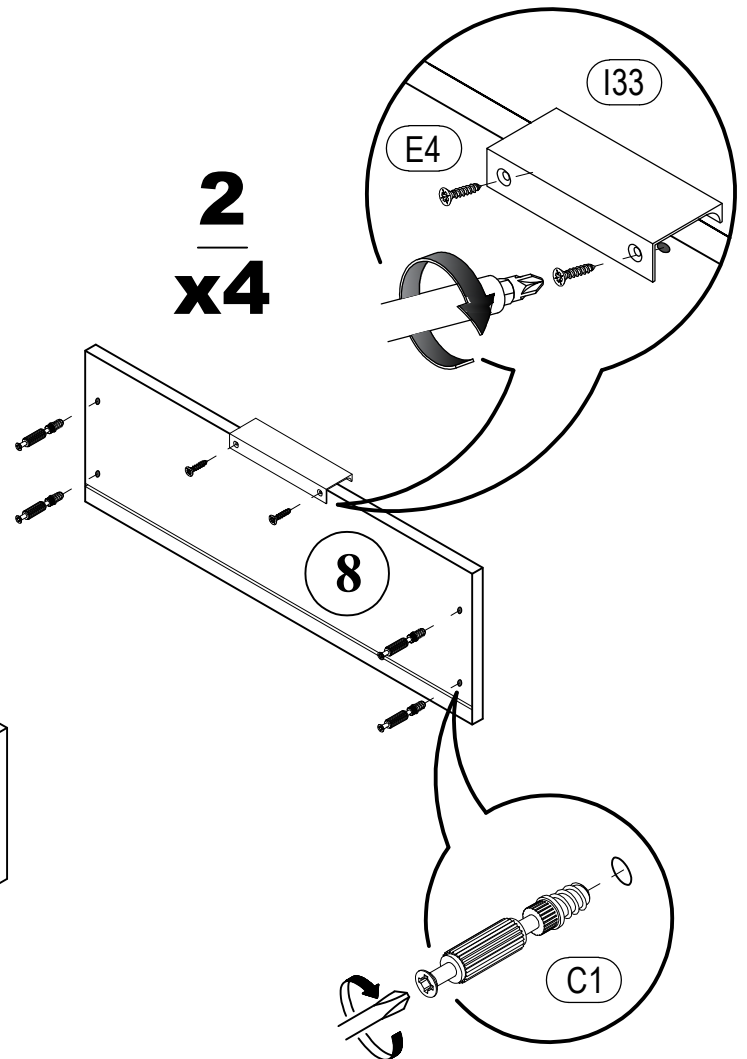
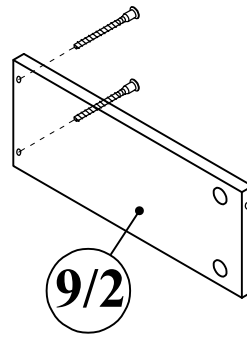
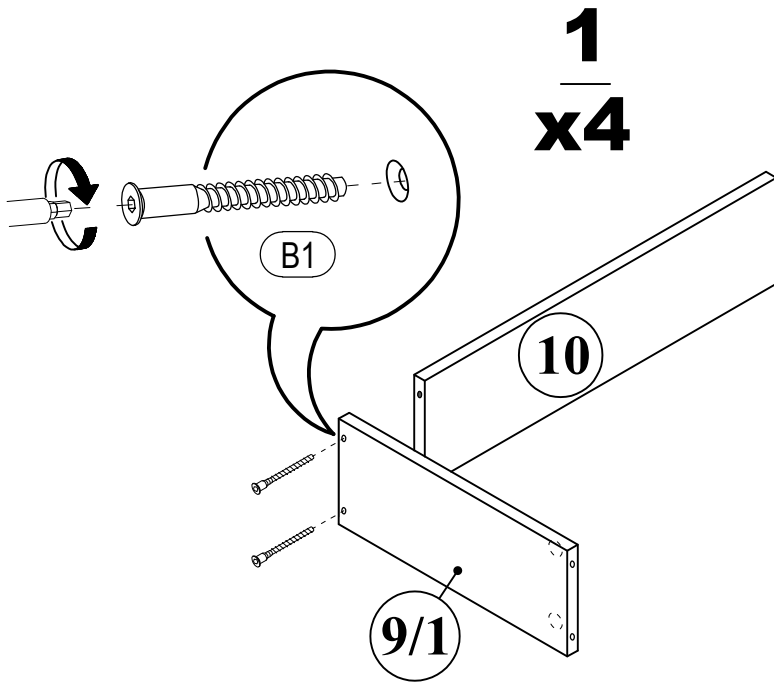


 <b>A1</b> 8*30mm x16	 <b>B</b> $\phi$ 12mm x8	 <b>B1</b> 6,3*50mm x8
 <b>C1</b> 6*43mm x16	 <b>D</b> $\phi$ 20mm x16	 <b>D1</b> 15/16 x16
 <b>E4</b> 3*15mm x6	 <b>E5</b> 3*20mm x3	 <b>E6</b> 3,5*16mm x44
 <b>7E</b> 4,2*25mm x16	 <b>F4</b> 6,3*13mm x16	 <b>I33</b> L-128 mm x3
 <b>J1</b> 5*16mm x8	 <b>K18</b> H-17 x4	 <b>L3</b> x8
 <b>M2</b> L-350mm x1	 <b>O1</b> x3	 <b>O8</b> L-1827 mm x1
 <b>R3</b> 1.4*25mm 38g	 <b>U3</b> x6	 <b>U5</b> 20*20mm x4

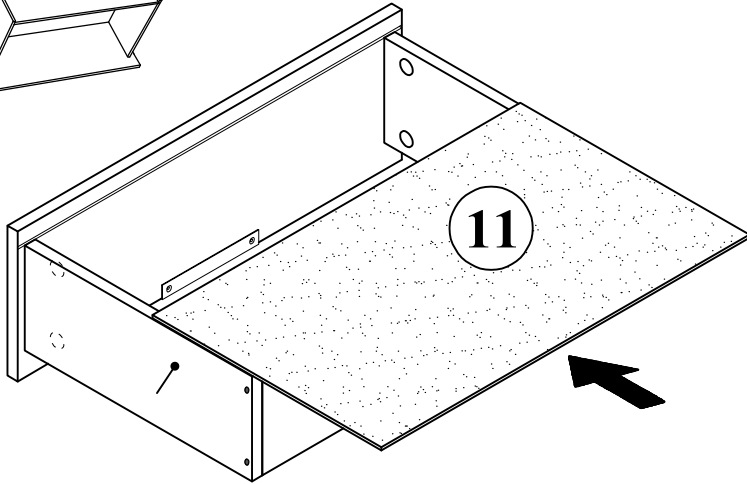
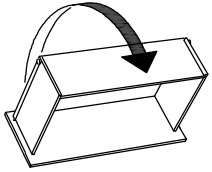
№	a*b	x	№→...
1/1	1844x400	x1	2/2
1/2	1844x400	x1	2/2
2	630x400	x1	1/2
3	596x390	x1	1/2
4	596x372	x2	1/2
5	595x368	x2	1/2
6	1616x200	x1	2/2
7.1	806x388	x1	2/2
7.2	806x388	x1	2/2
8	592x200	x1	2/2
9/1	350x140	x1	2/2
9/2	350x140	x1	2/2
10	538x140	x1	2/2
11	567x353	x1	2/2
12	1856x311	x2	2/2
		x1	1/2



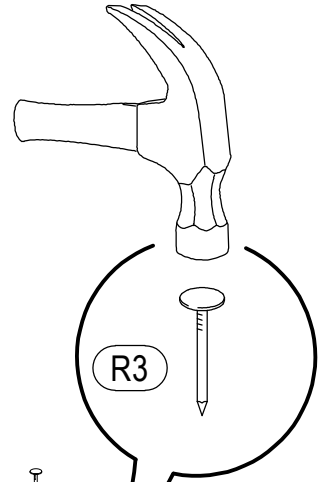
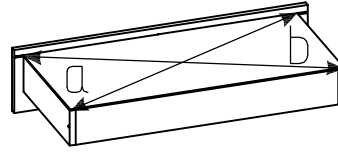




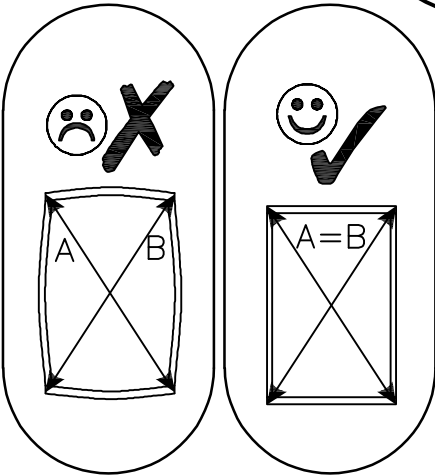
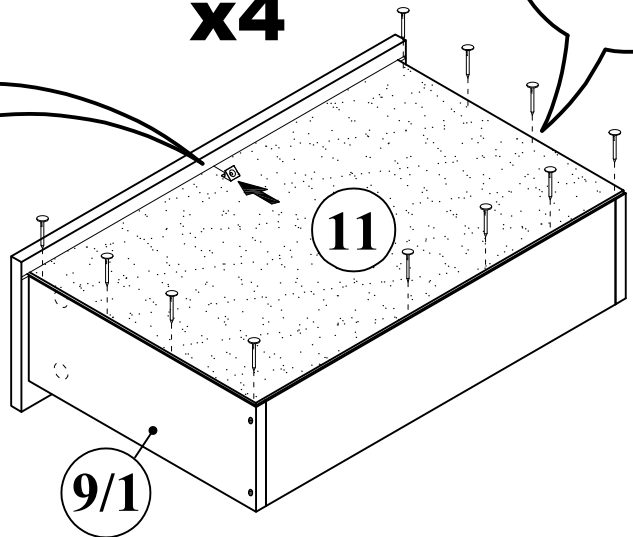
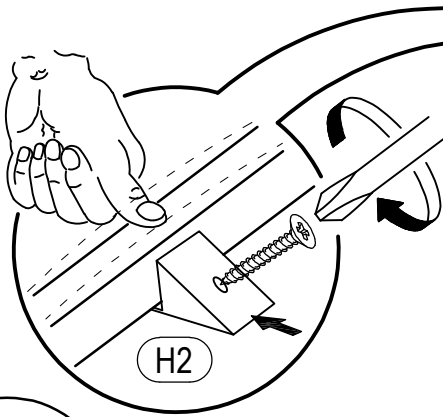
**4**  
**x4**



$a = b$



**5**  
**x4**



**6**  
**x4**

