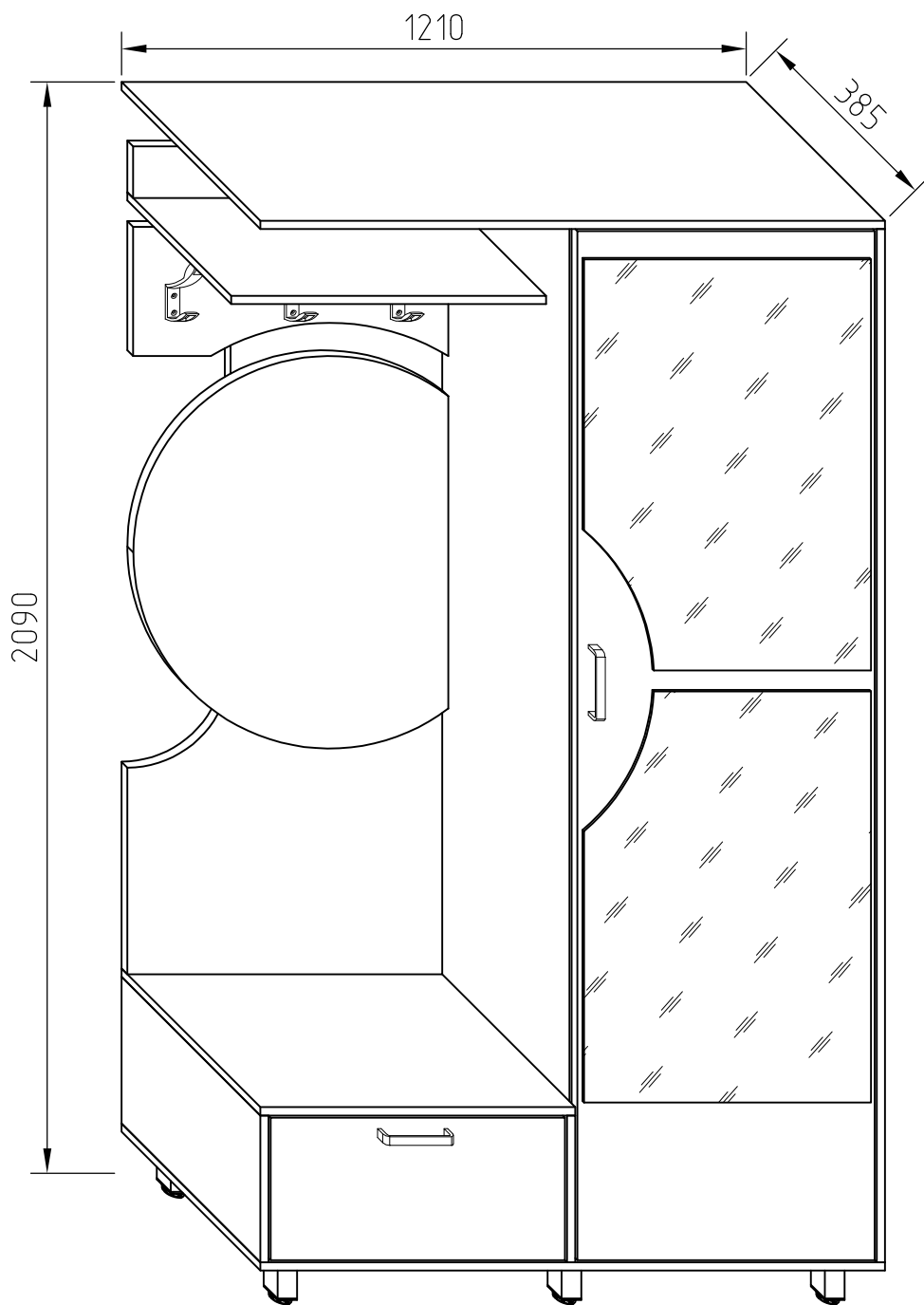
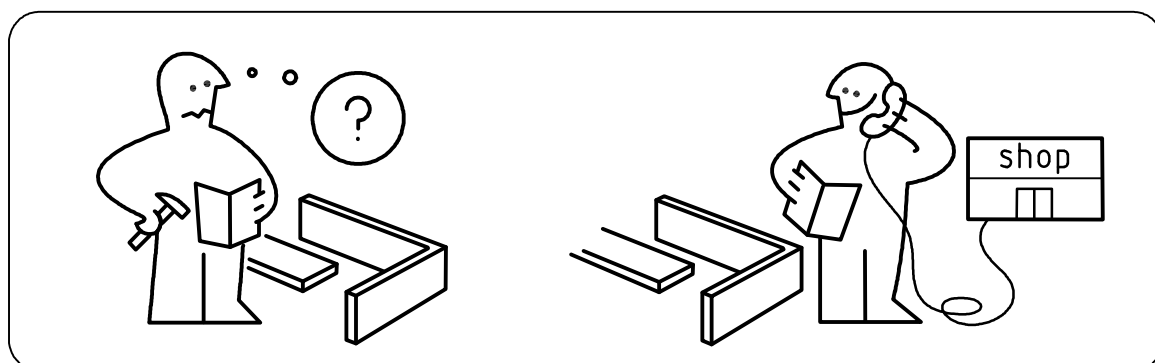
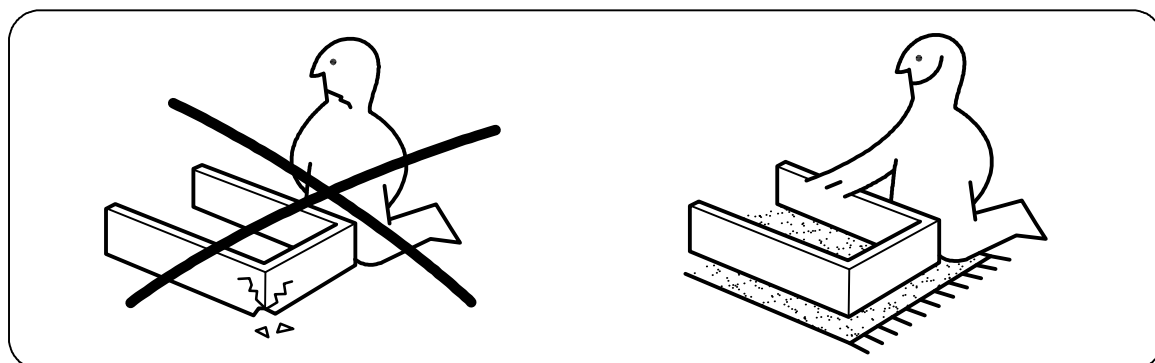
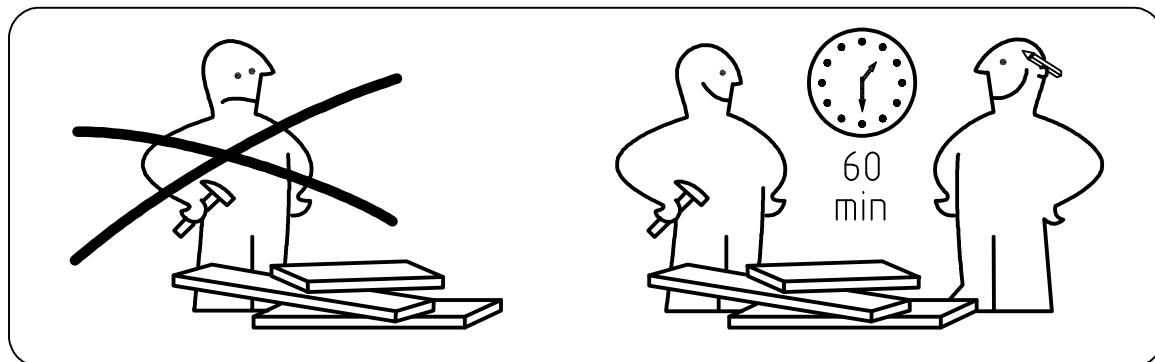
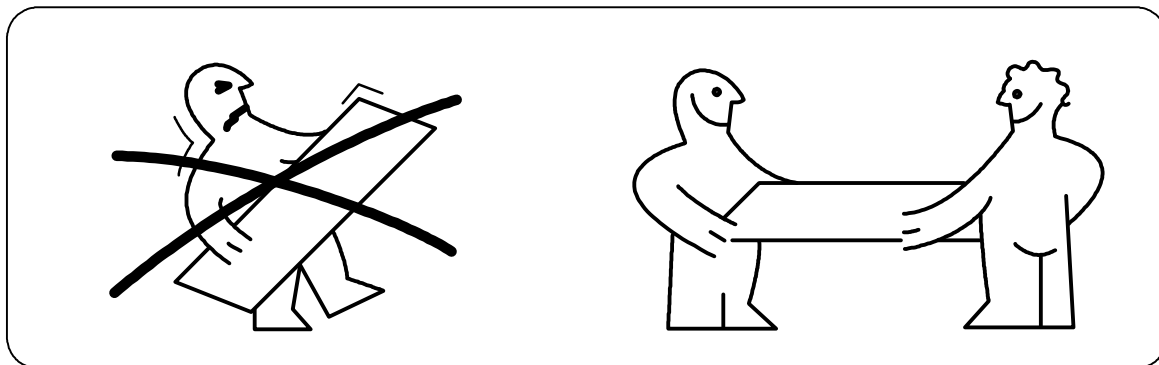
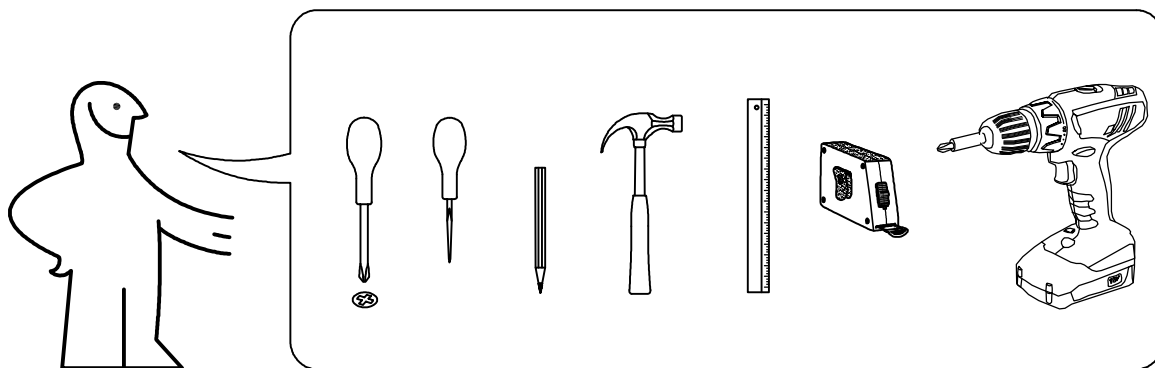



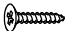
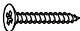
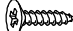
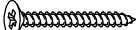


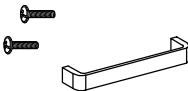
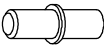
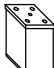
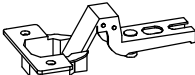
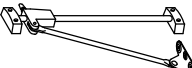
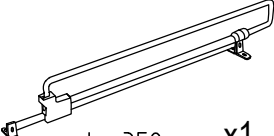
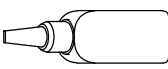

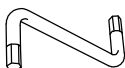
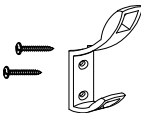
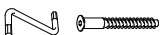


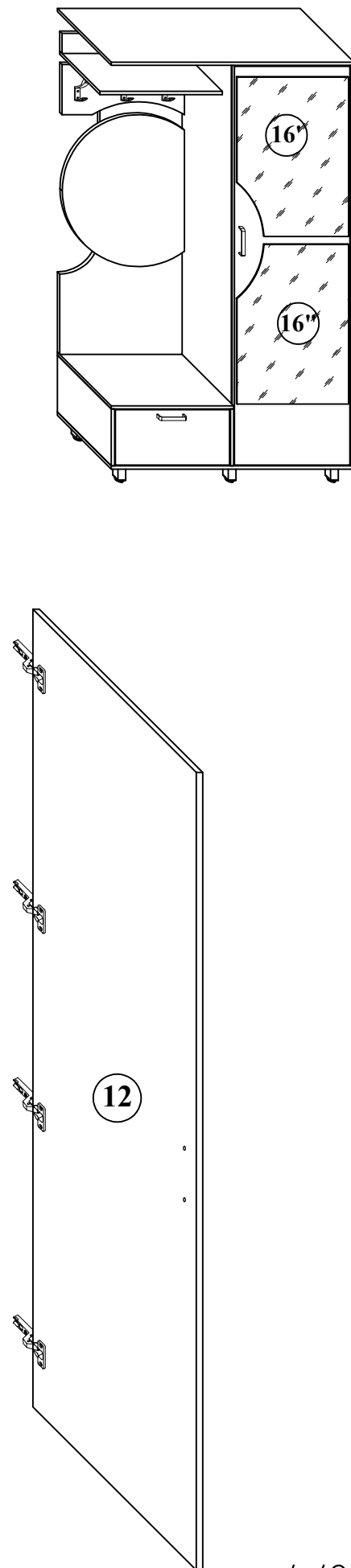
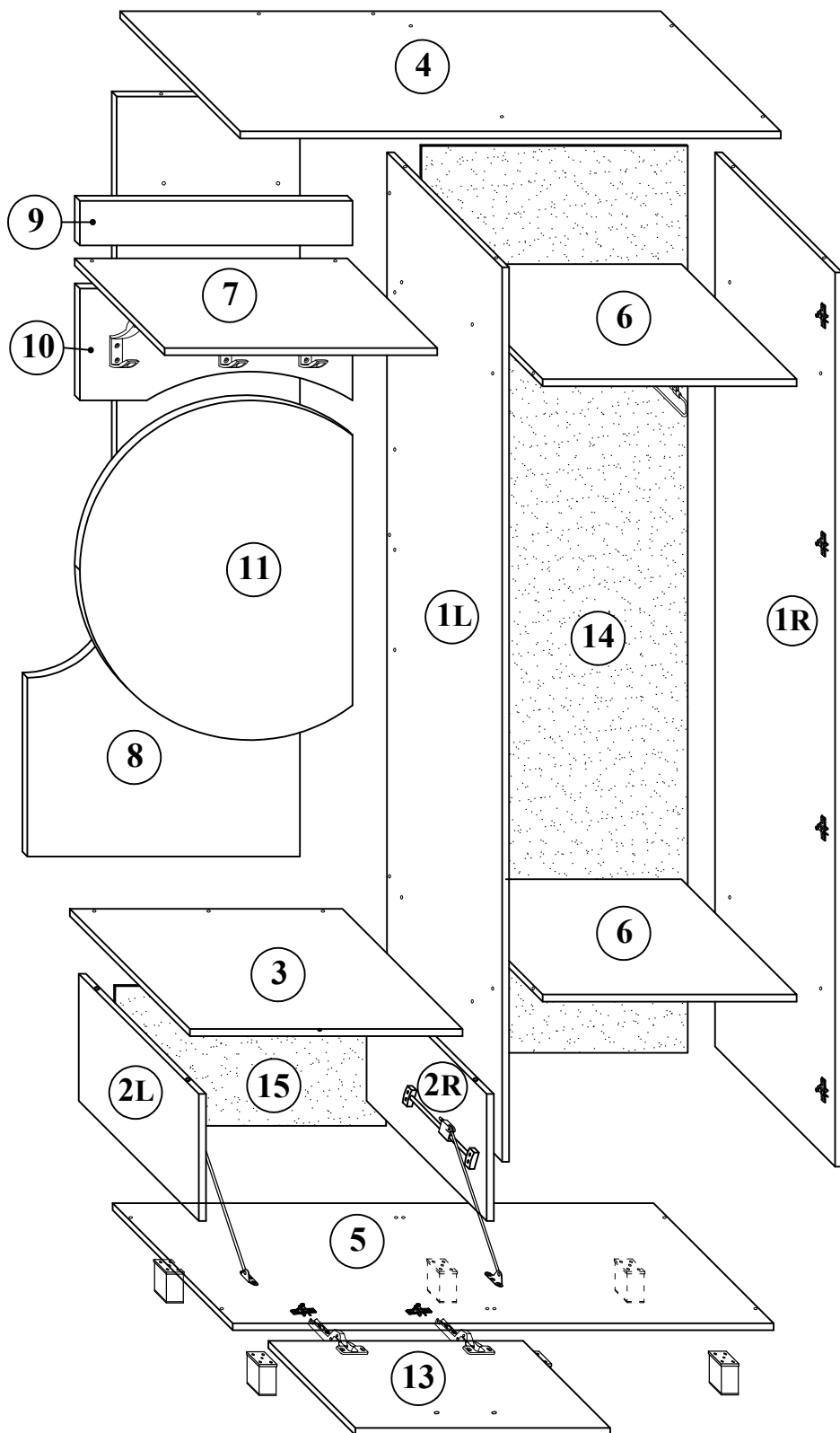
FIONA




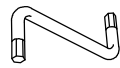


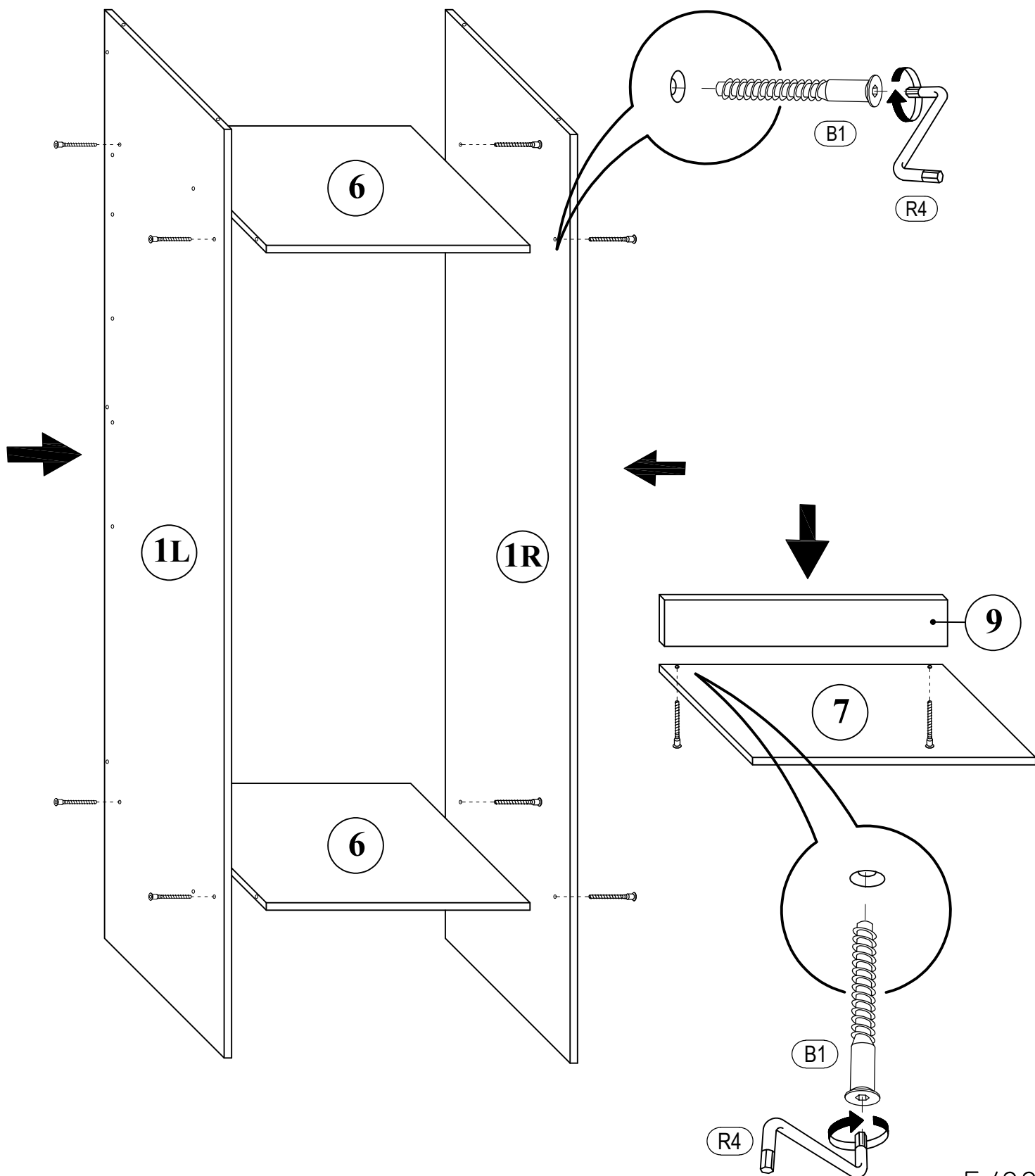
 A1 8*30mm x4	 B x22	 B1 6,3*50mm x39
 E3 3*15mm x30	 E4 3*20mm x8	 E8 4*16mm x16
 E10 4*30mm x6	 F1 6,3*13mm x12	 H1 M 4 x4
 I21 128 x2	 J1 5*16mm x1	 K10 H-60mm x6
 L3 x6	 N4 R + L x2	 N6 L- 350 x1
 R1 x1	 R3 1.4*25mm 0.050kg	 R4 N°4 x1
 X4 DW08 x3		

No	a*b	x	N°→...	No	a*b	x	N°→...
1L	2000x364	x1	2/3	9	610x100	x1	1/3
1R	2000x380	x1	2/3	10	610x250	x1	1/3
2L	284x380	x1	3/3	11	610x760	x1	1/3
2R	284x380	x1	3/3	12	1990x576	x1	1/3
3	610x380	x1	3/3	13	276x570	x1	3/3
4	1210x380	x1	2/3	14	2028x596	x1	1/3
5	1210x380	x1	2/3	15	312x606	x1	3/3
6	568x364	x2	2/3	16'	796x556	x1	
7	610x284	x1	3/3	16"	796x556	x1	
8	1700x610	x1	1/3			x1	3/3


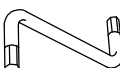


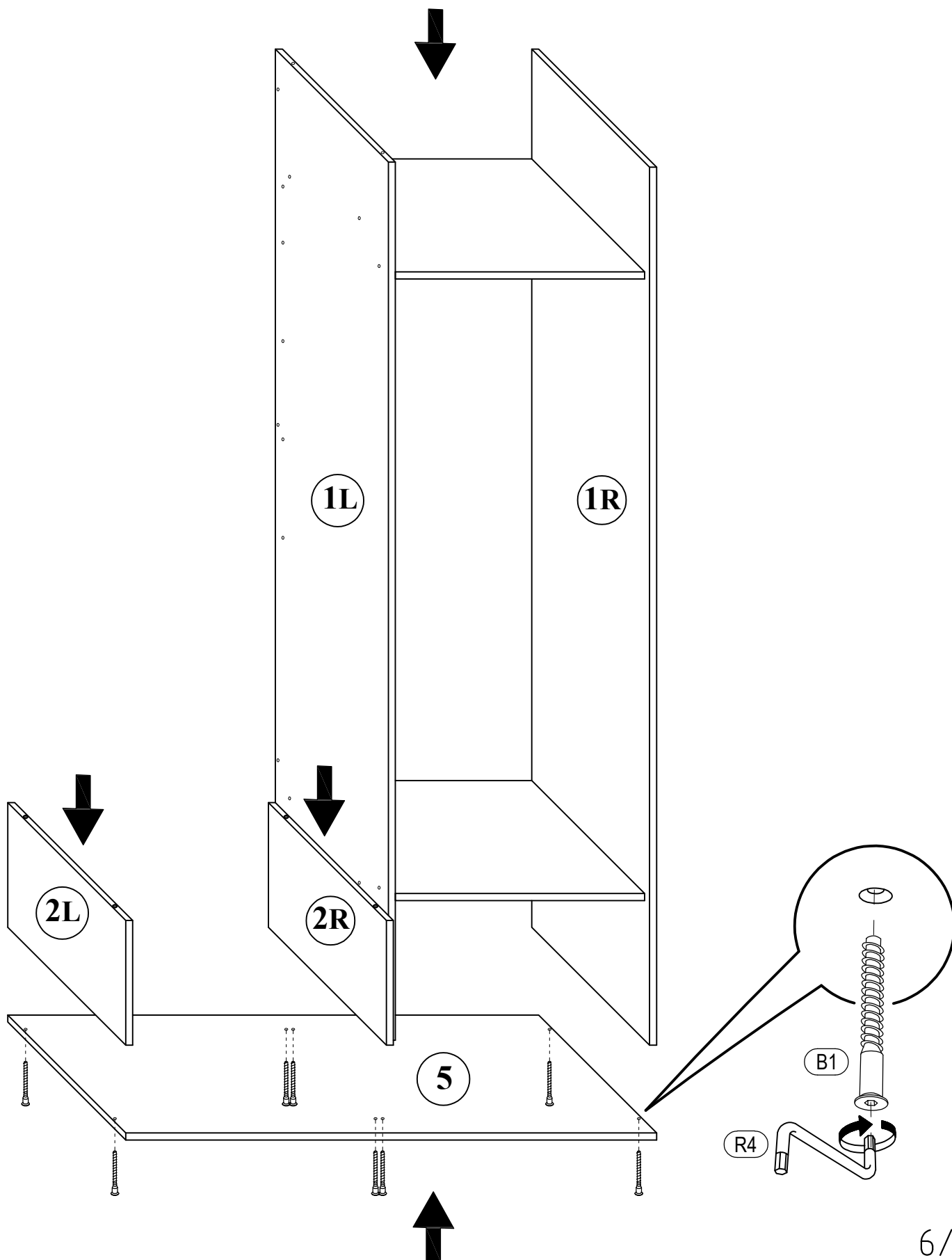
1



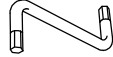
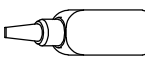
 B1 6,3*50mm x10	 R4 N°4
--	---



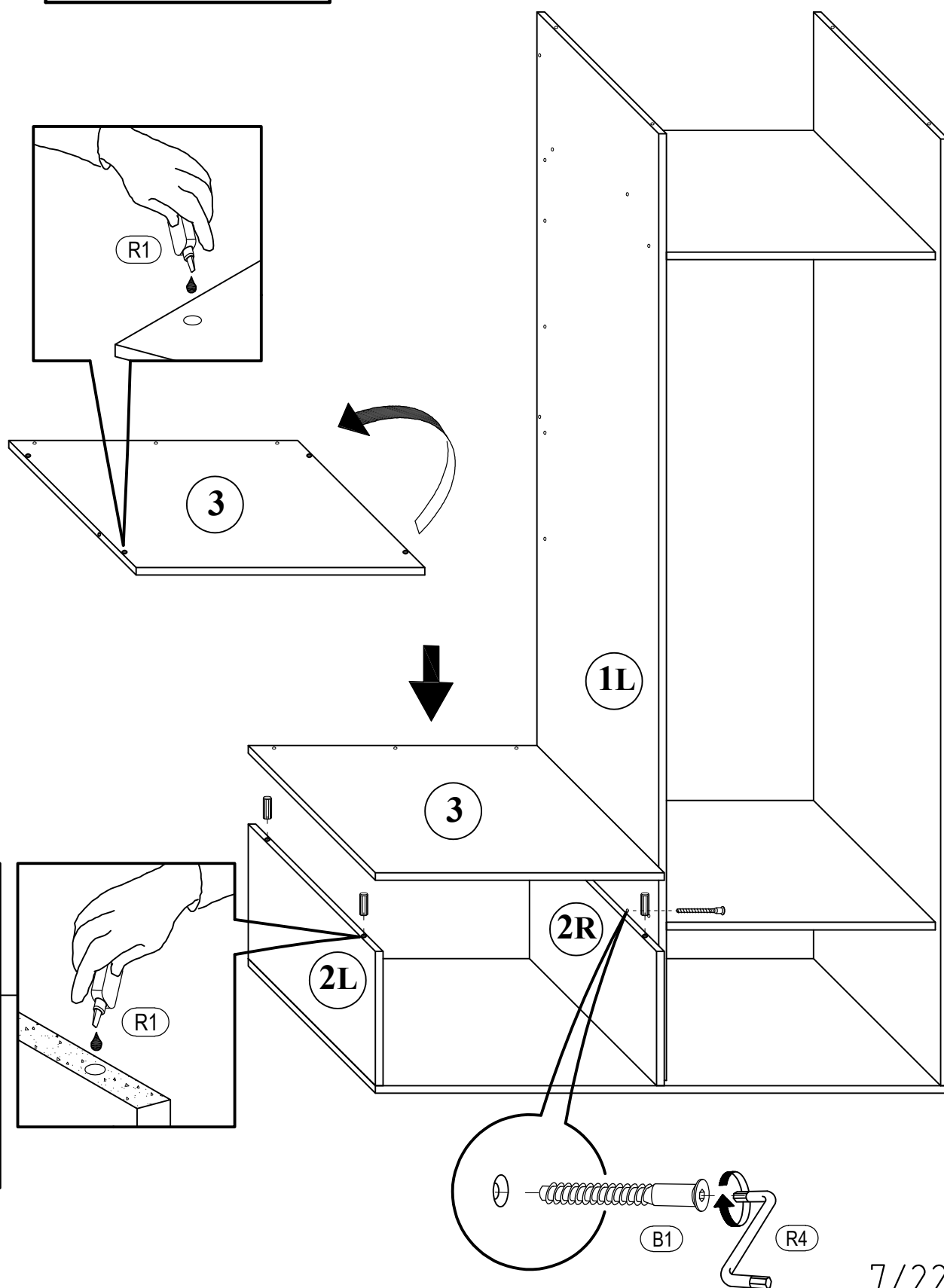
2


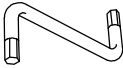
 B1 6,3*50mm x8	 R4 N°4
---	---



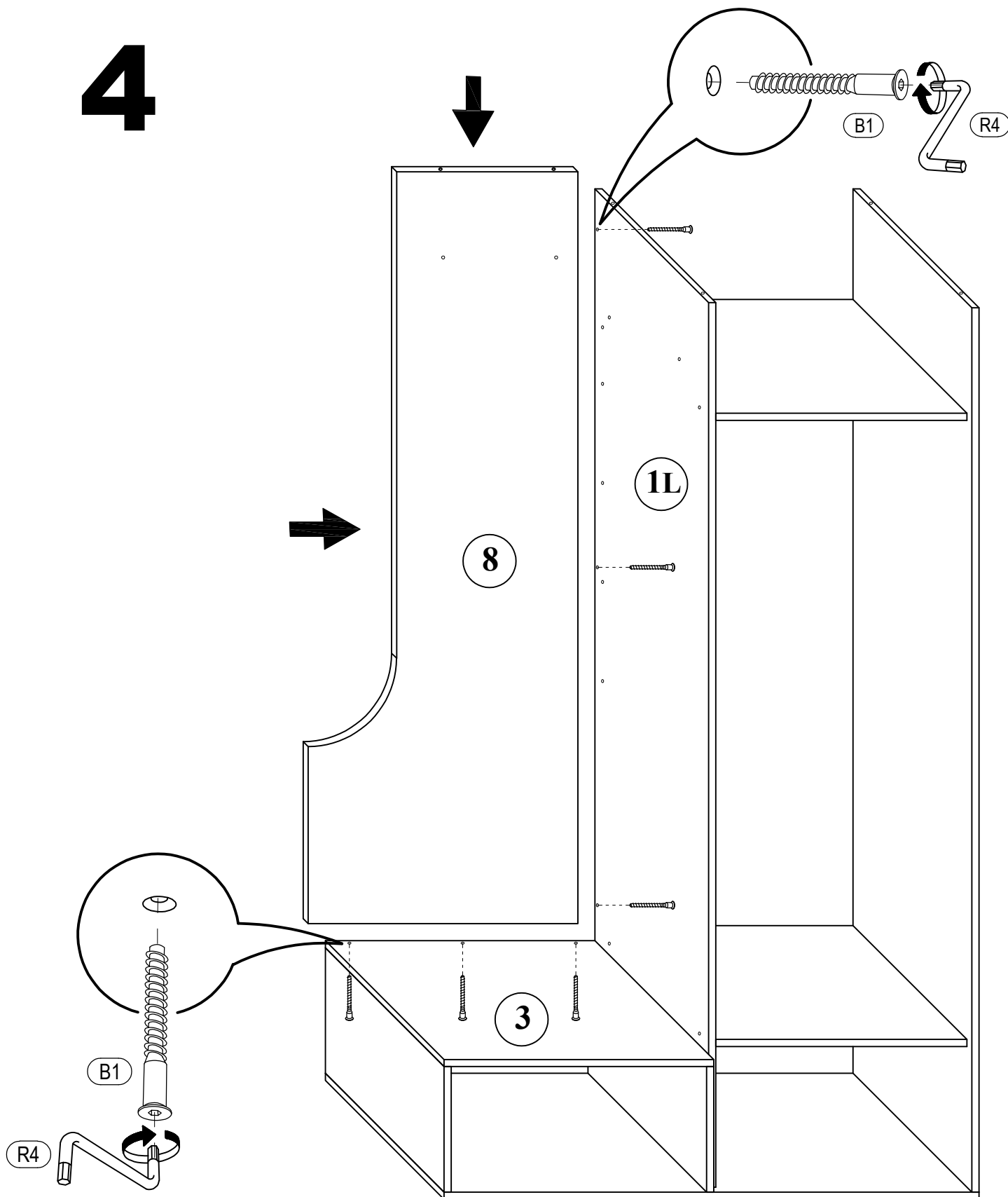
 A1 8*30mm x4	 B1 6,3*50mm x1	 R4 N°4
 R1		

3


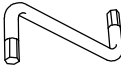


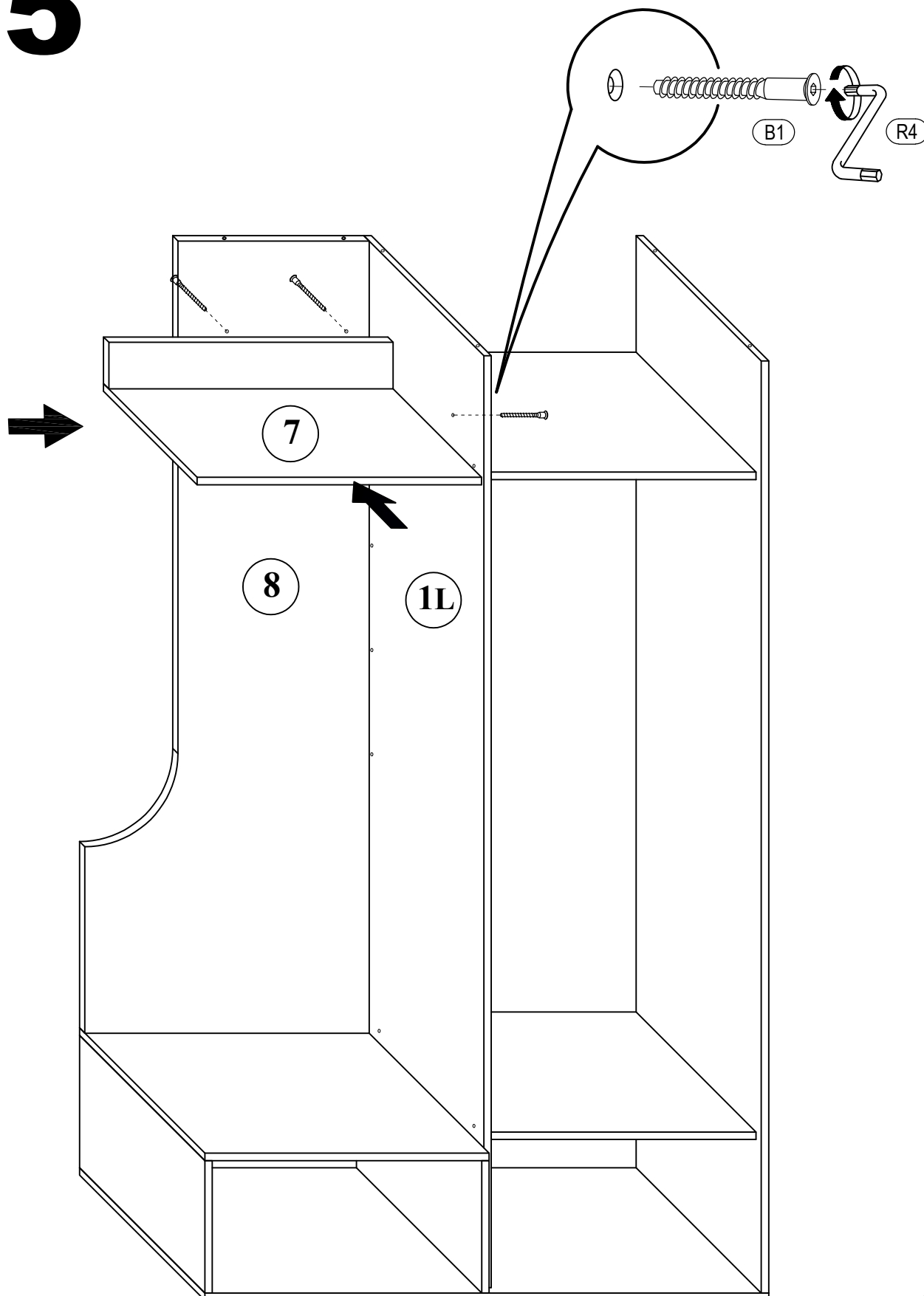
 <p>B1 6,3*50mm x6</p>	 <p>R4 N°4</p>
--	---

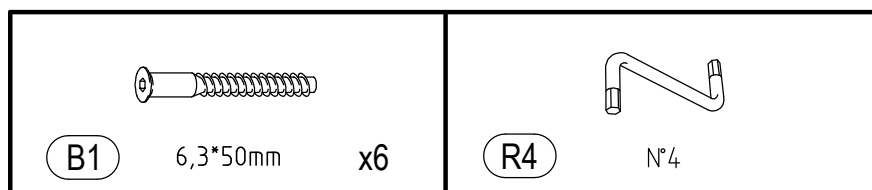
4



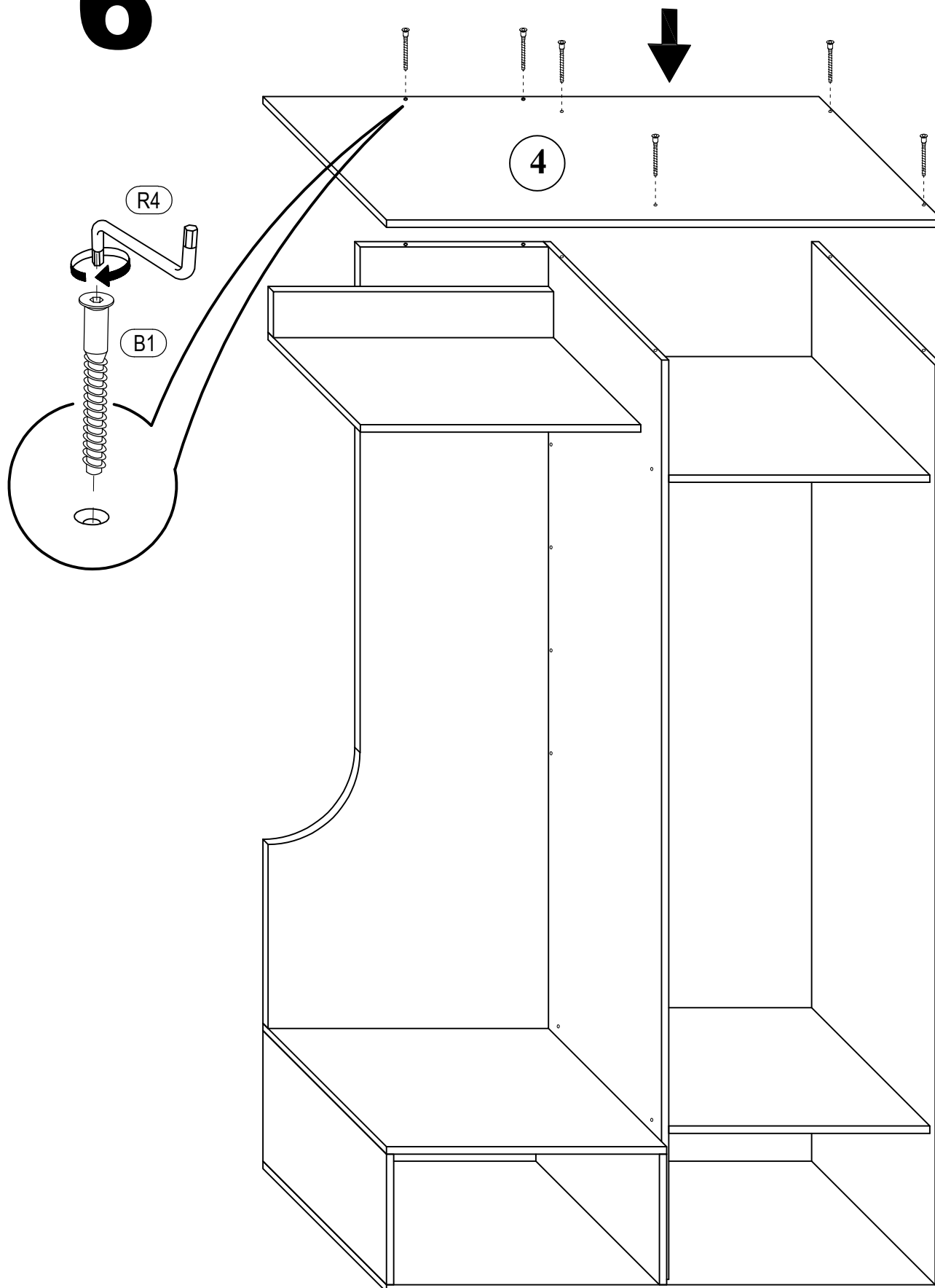
5

 <p>B1 6,3*50mm x3</p>	 <p>R4 N°4</p>
---	--

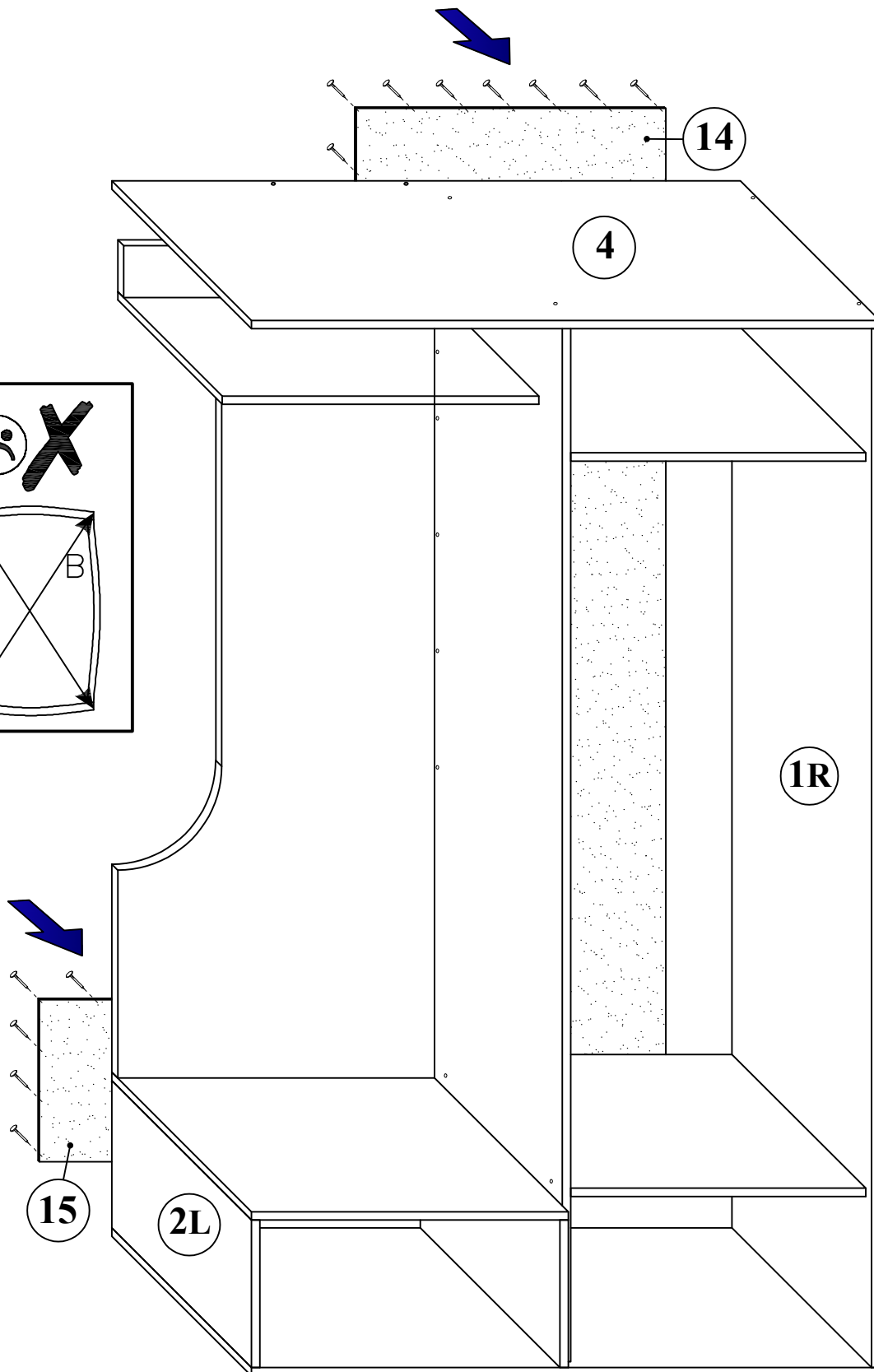
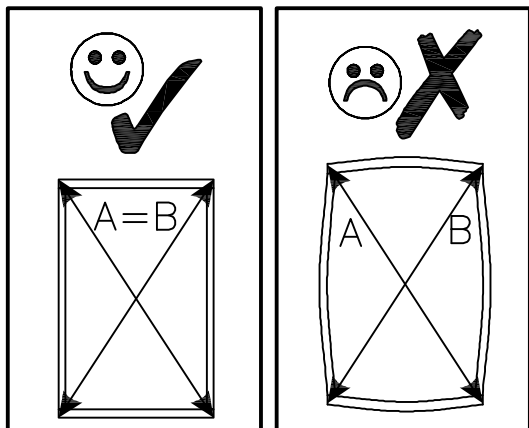
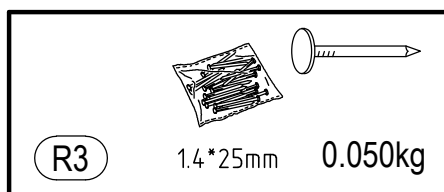





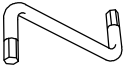
6

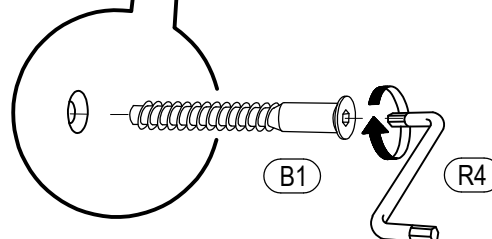
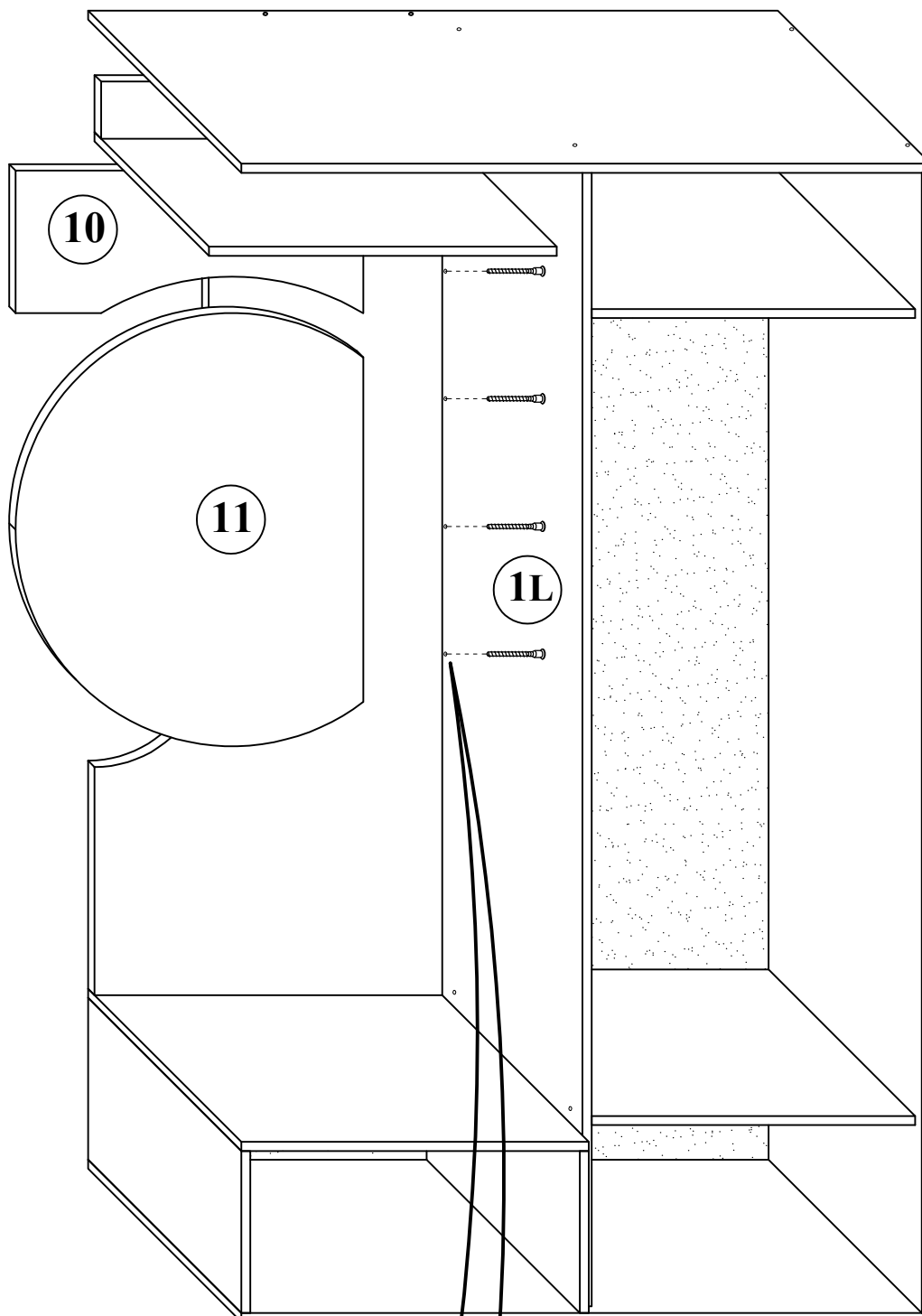
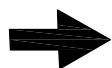


7



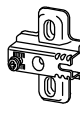
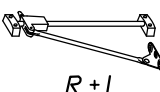


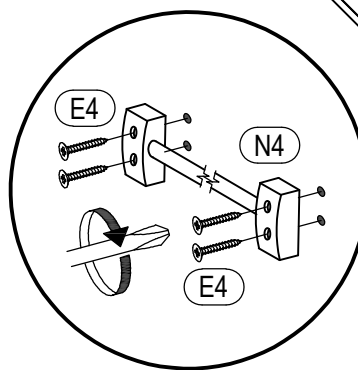
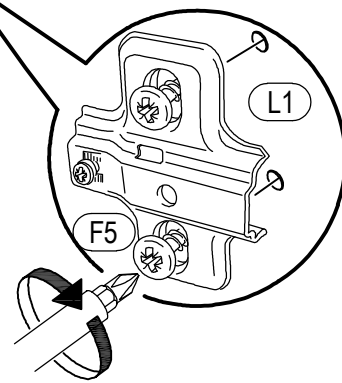
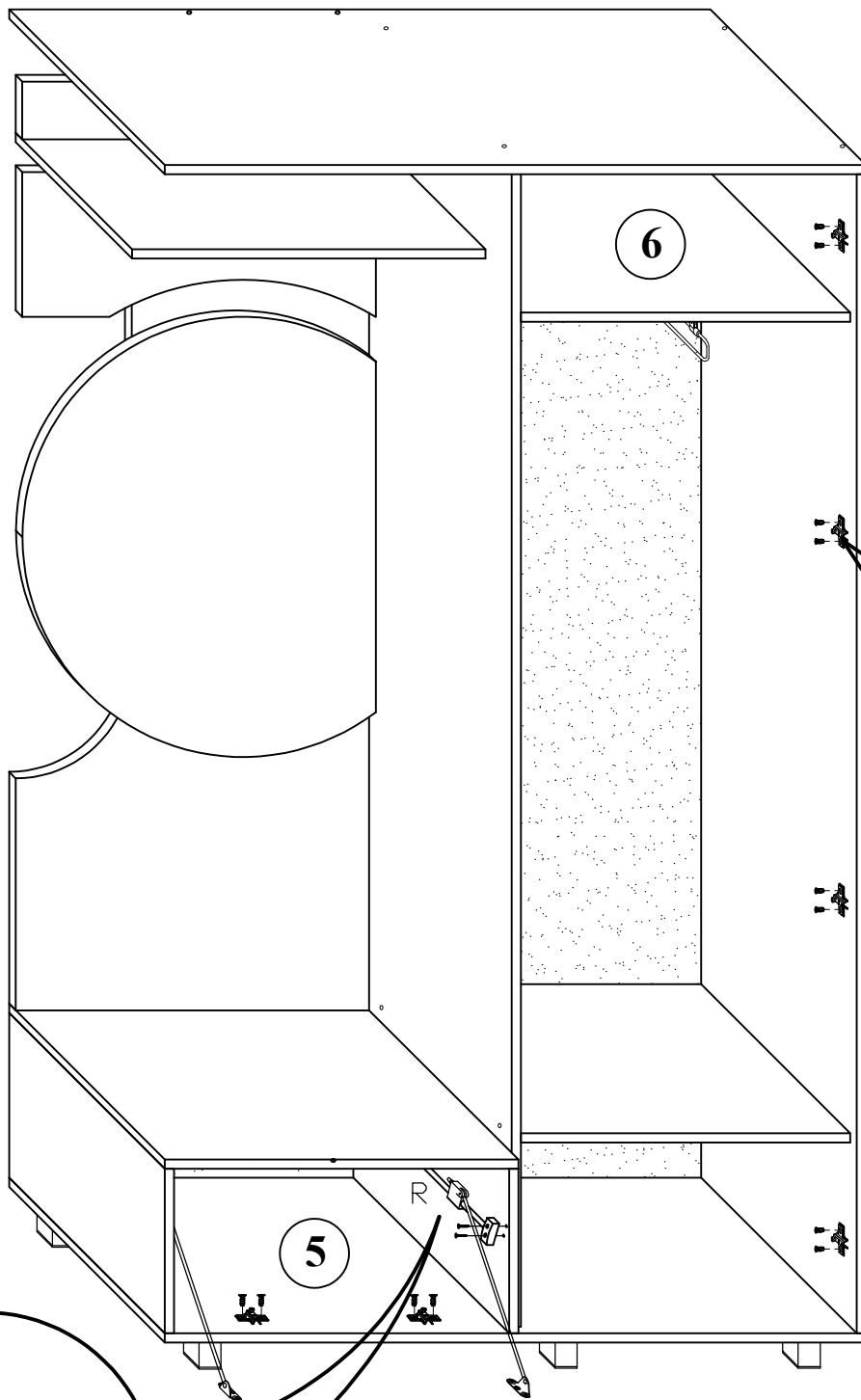
8

 B1 6,3*50mm x6	 R4 N°4
---	---

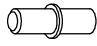
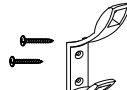


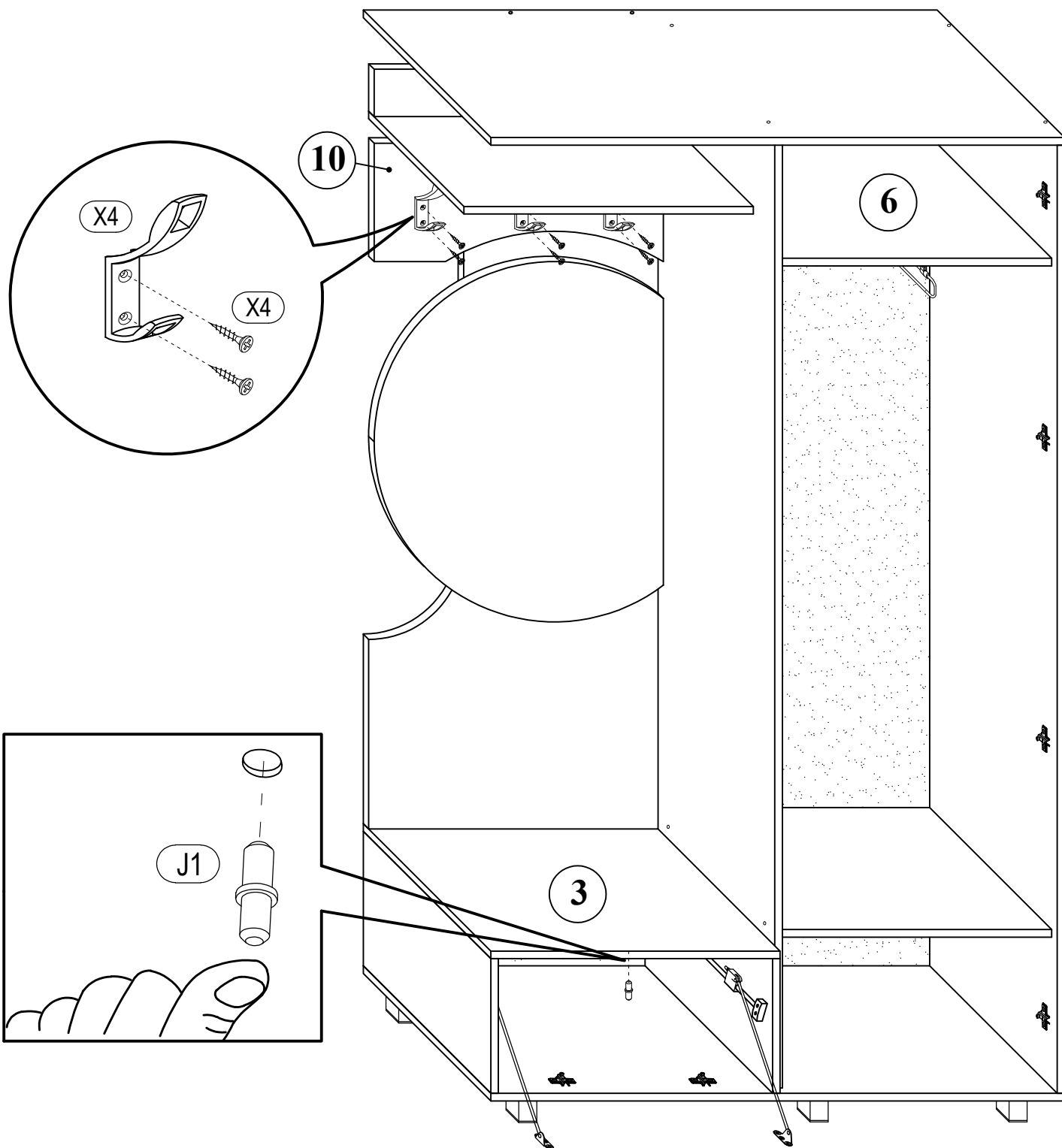
10

 (E4) 3*20mm x8	 (F1) 6,3*13mm x12	 (L3) x6
 (N4) R+L x2		

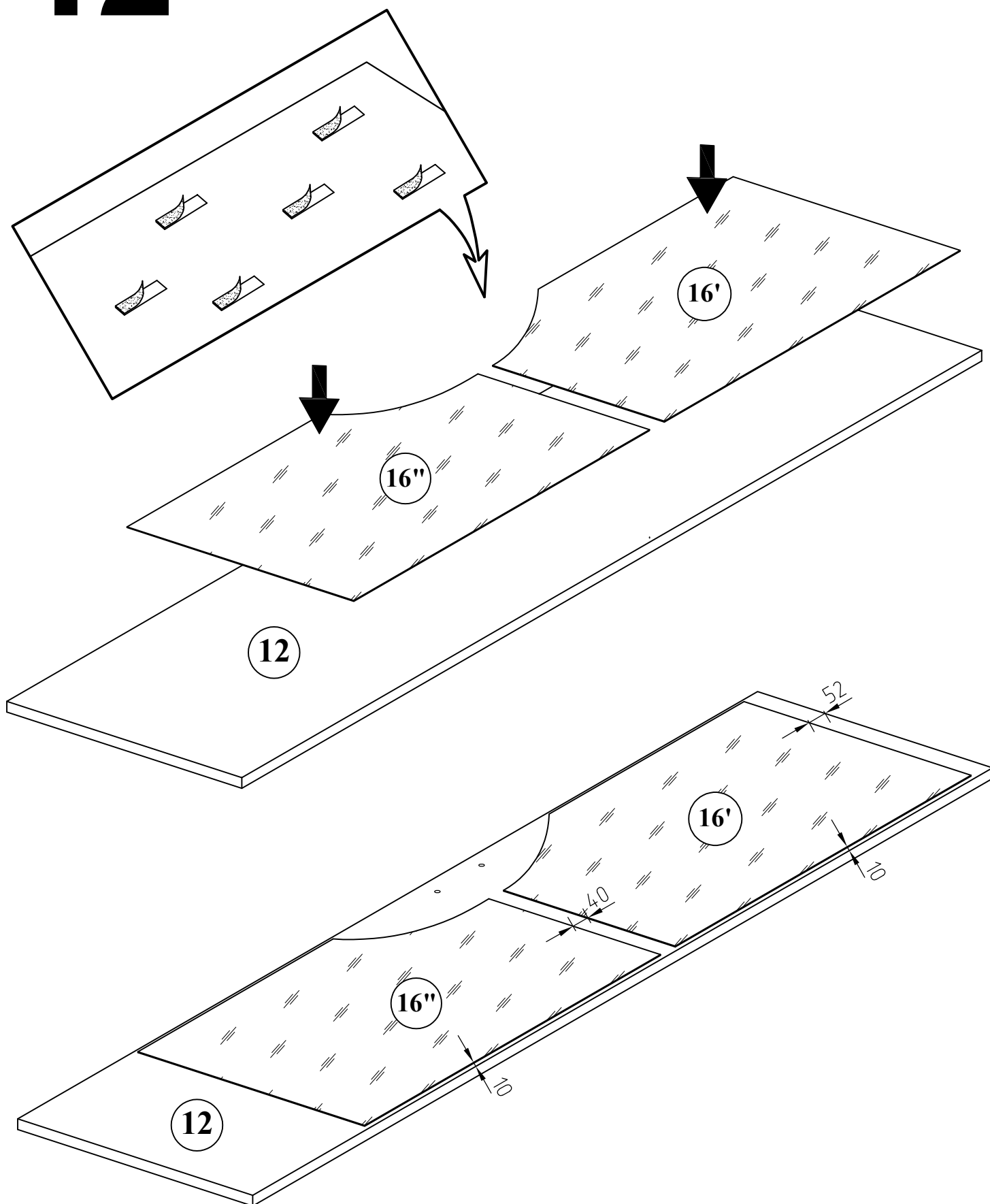


11

	
(J1) 5*16mm x1	(X4) DW08 x3

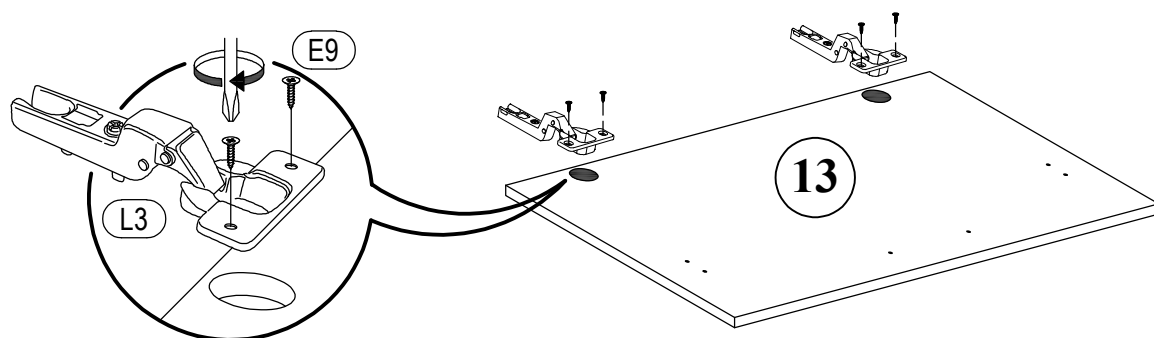
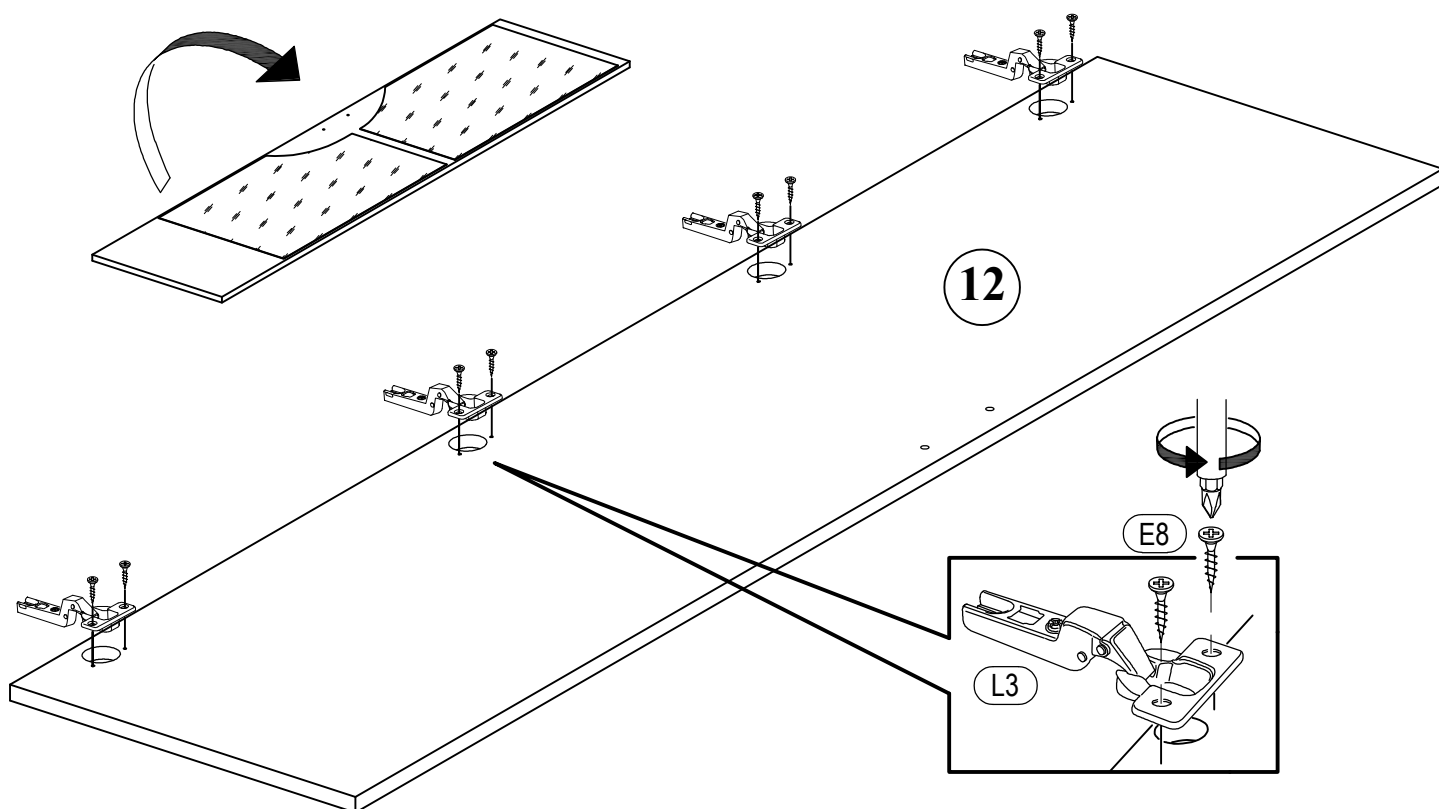


12

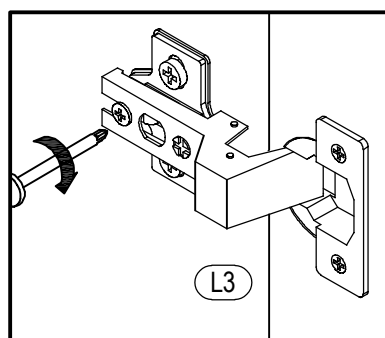
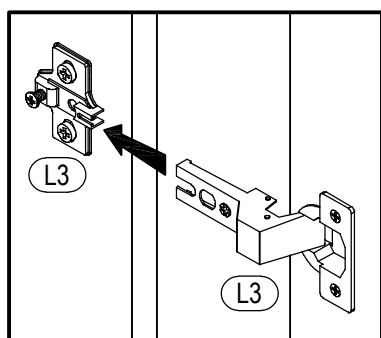
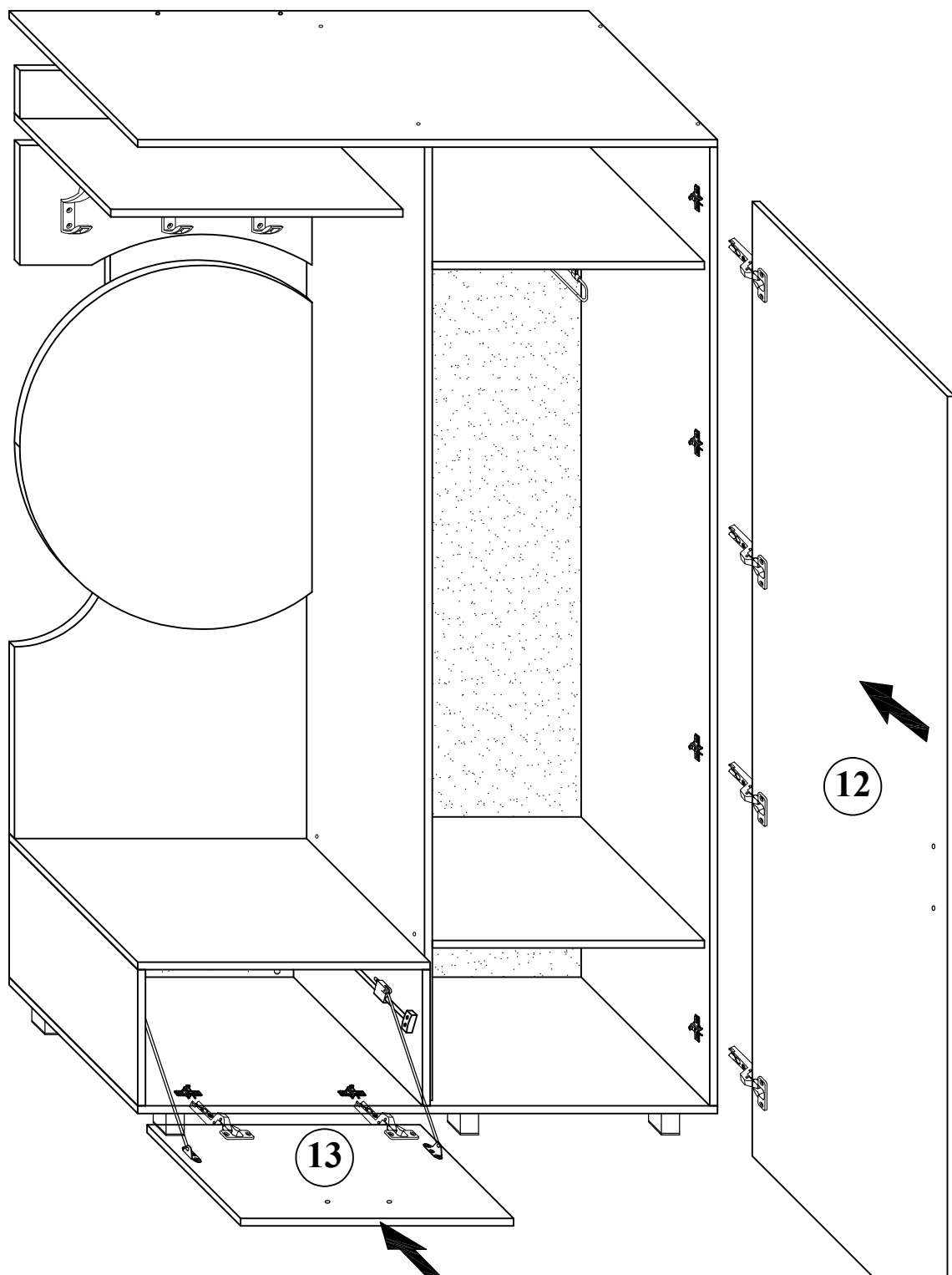


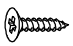

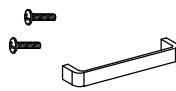
13

<p>(E8) 4*16mm x12</p>	<p>(L3) x6</p>
------------------------	----------------

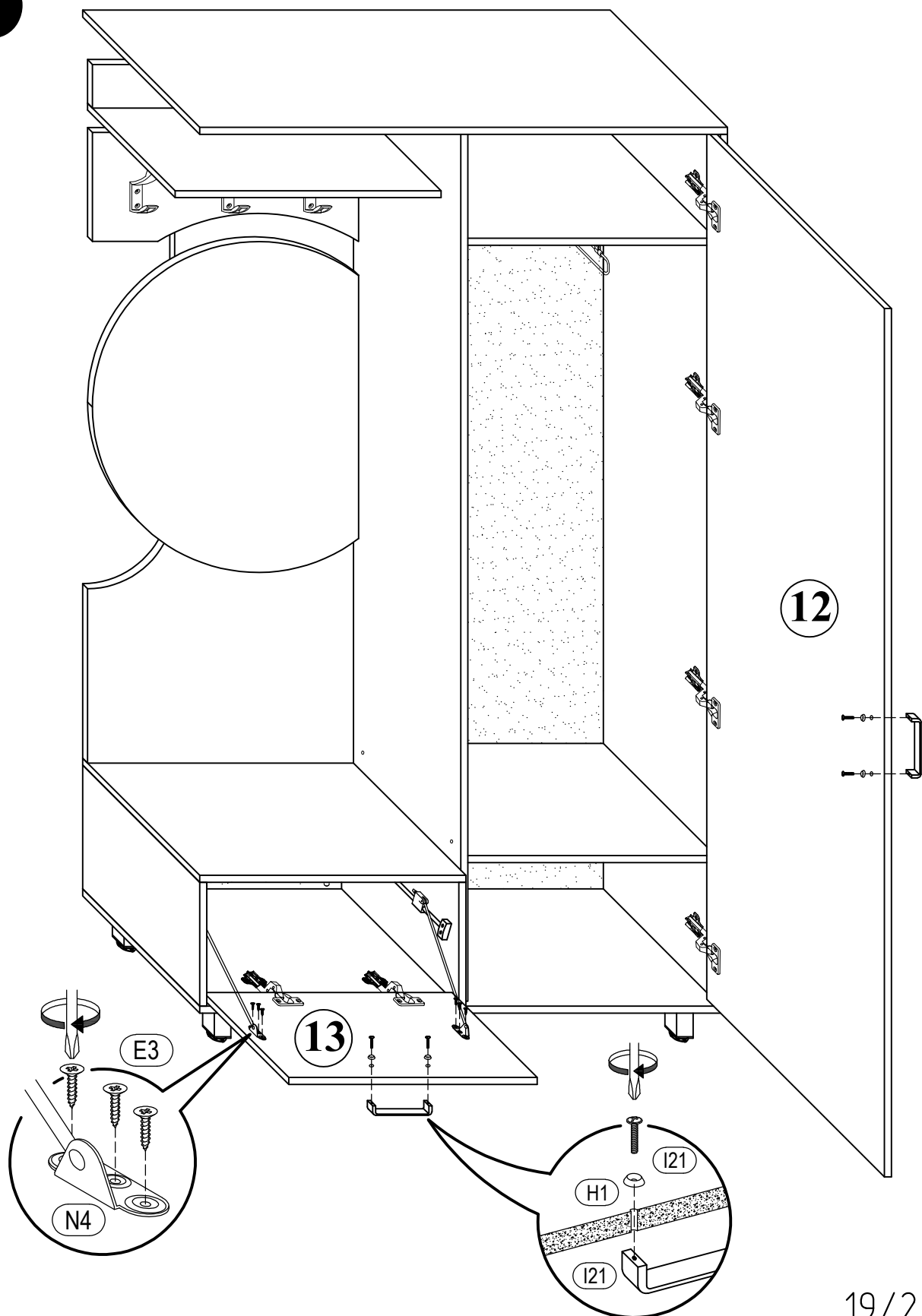


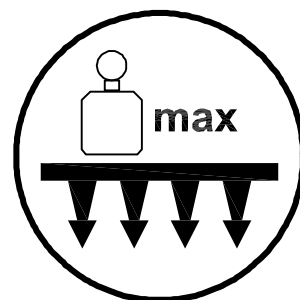
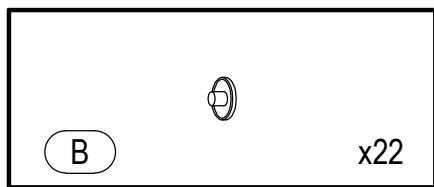
14



 E3 3*15mm x6	 H1 M 4 x4	 I21 128 x2
---	--	---

15





16

