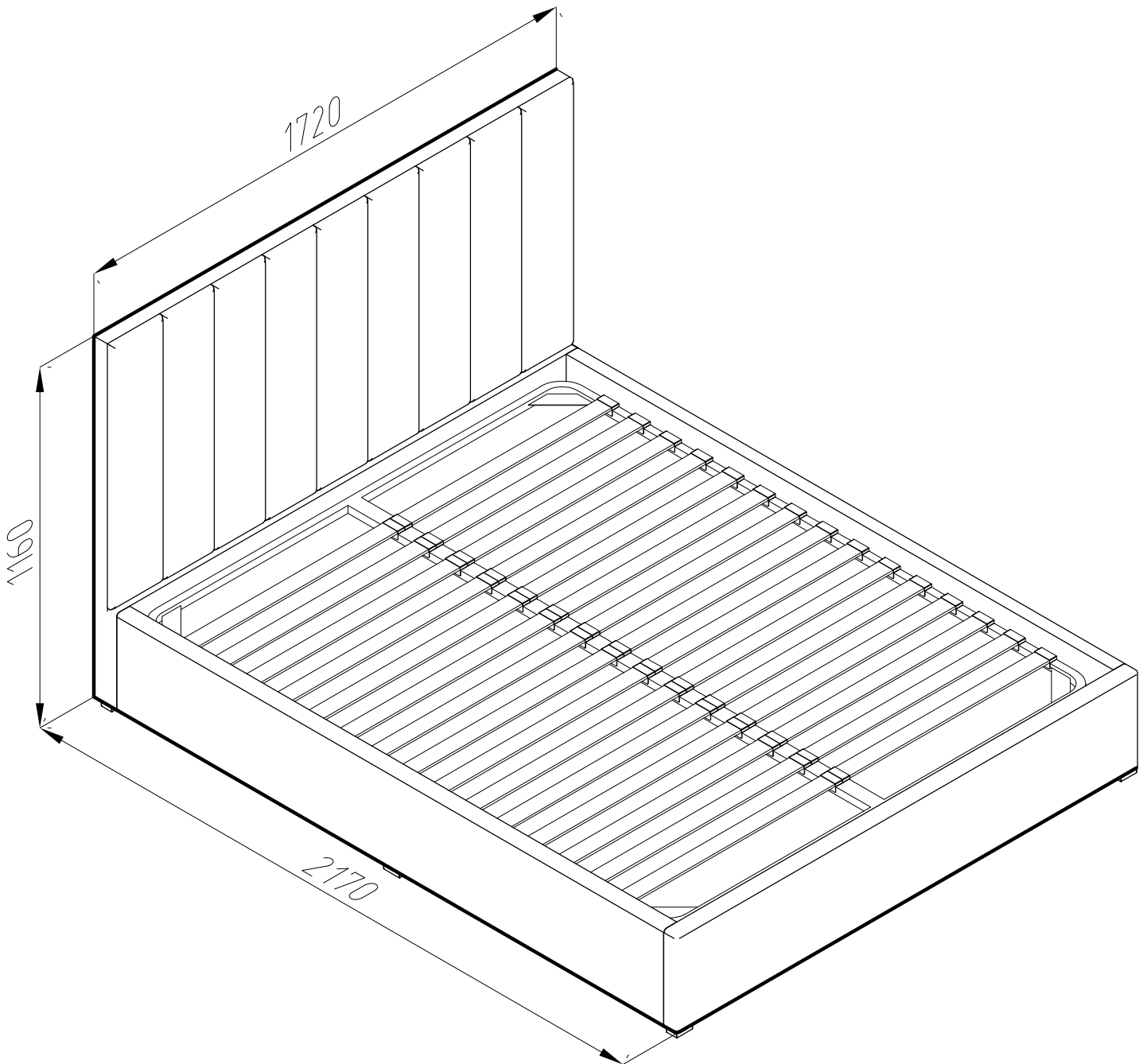
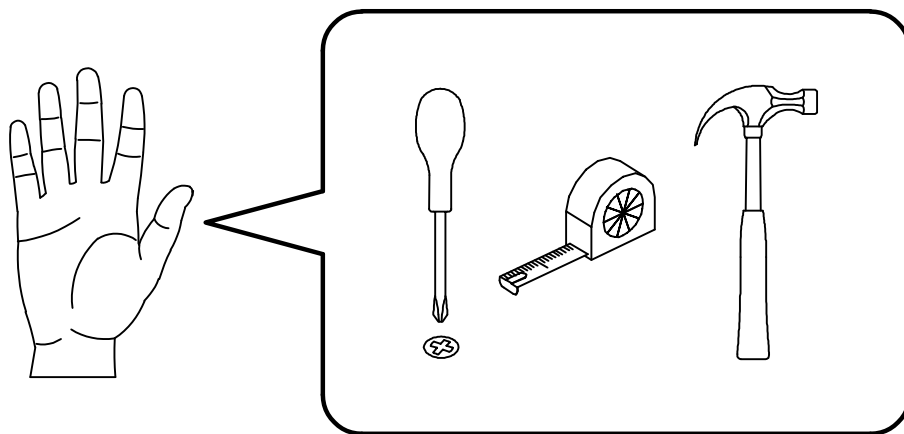





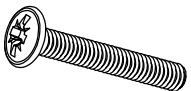
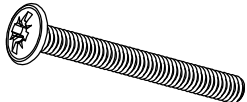
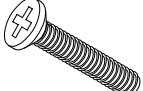
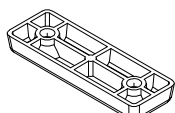
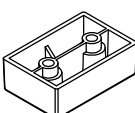
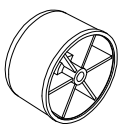
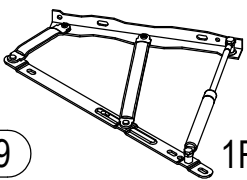
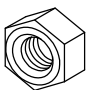

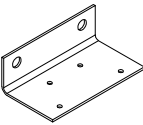
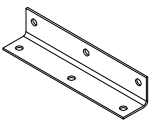


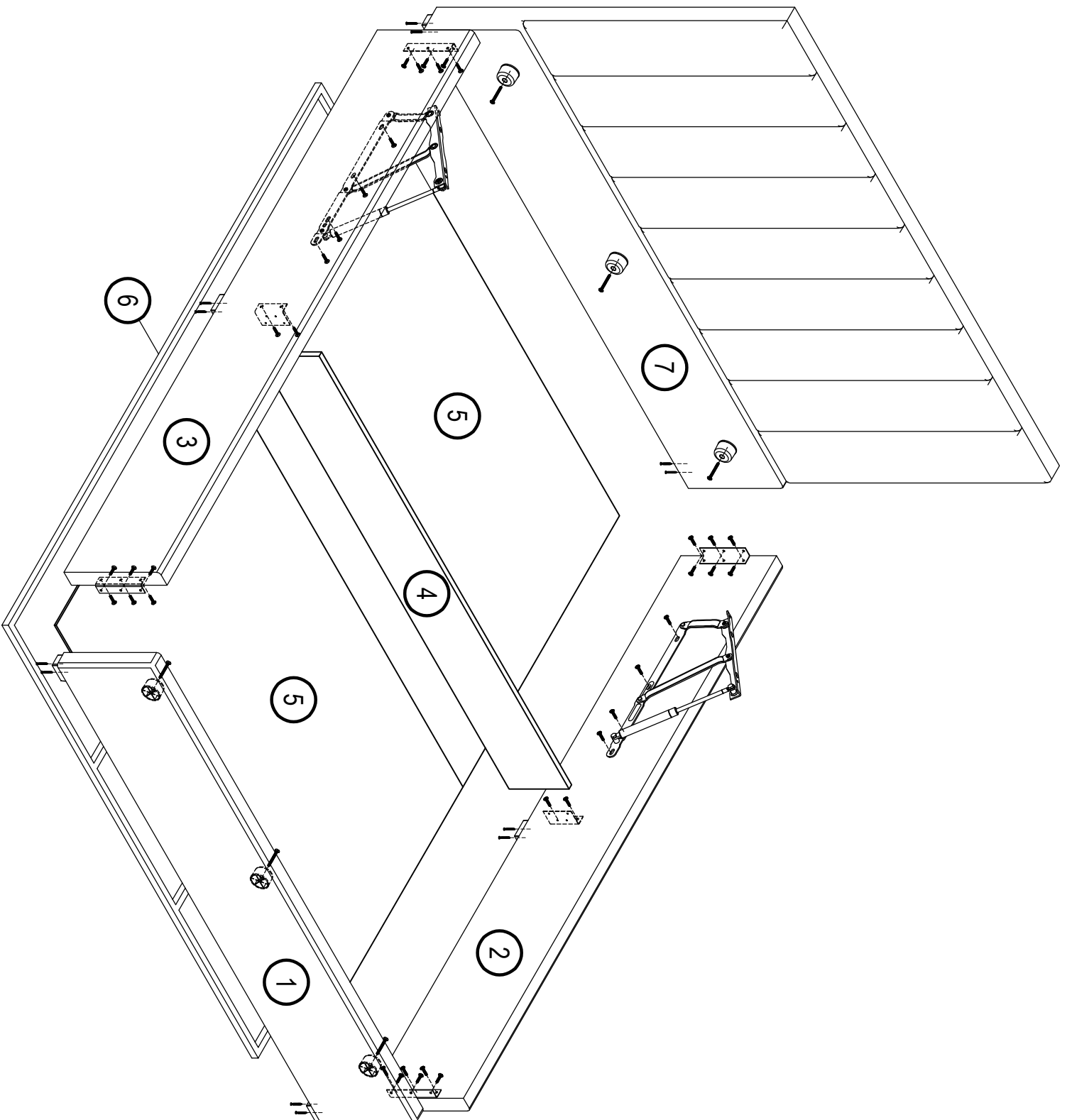
SAMANTHA 1-3

Double bed with lifting mechanism.





 (E6) 3,5*16mm x6	 (E10) 3,5*40mm x40	 (2E) 4,2*16mm x8
 (G14) M6*40mm x4	 (G16) M6*55mm x6	 (1G) M 6*12mm x36
 (K15) 5*15*50 x3	 (K20) x6	 (K28) ϕ 52*h35 x6
 (N9) 1R+1L	 (Q7) M 6 x4	 (Q9) M 6 x4
 (S1) 30x50x90 x2	 (S13) 30x30x150 x4	



N°	q * D	X
1	1720x310	1
2	2030x310	1
3	2030x310	1
4	1619x194	1
5	1012x1616	2
6	2028x1618	1
7	1720x1160	1

