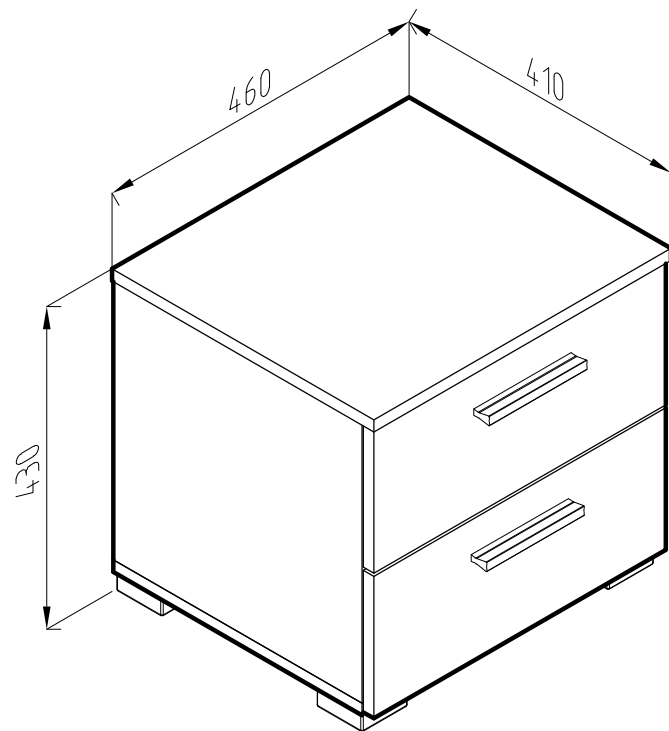
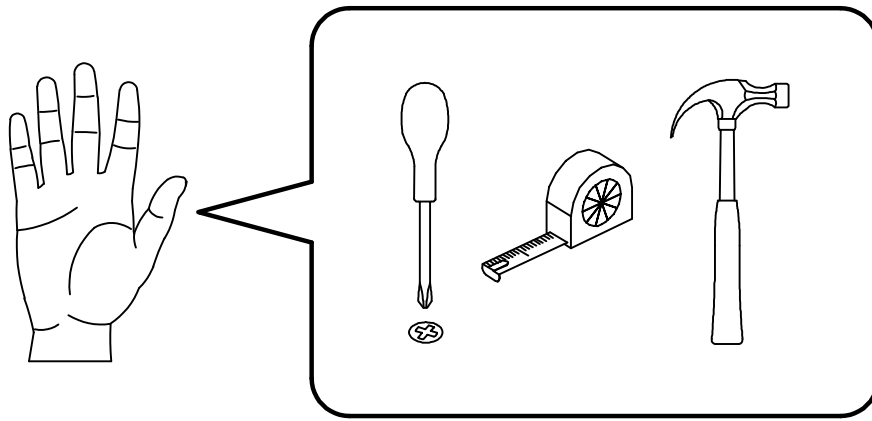
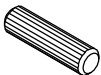

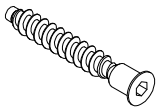
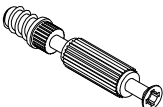





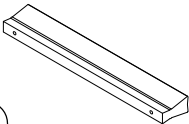
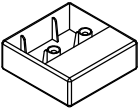

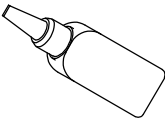
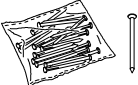



# LILEYA

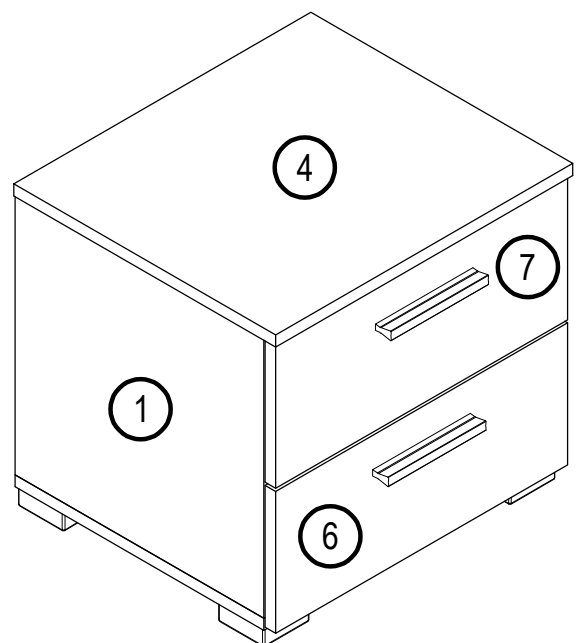
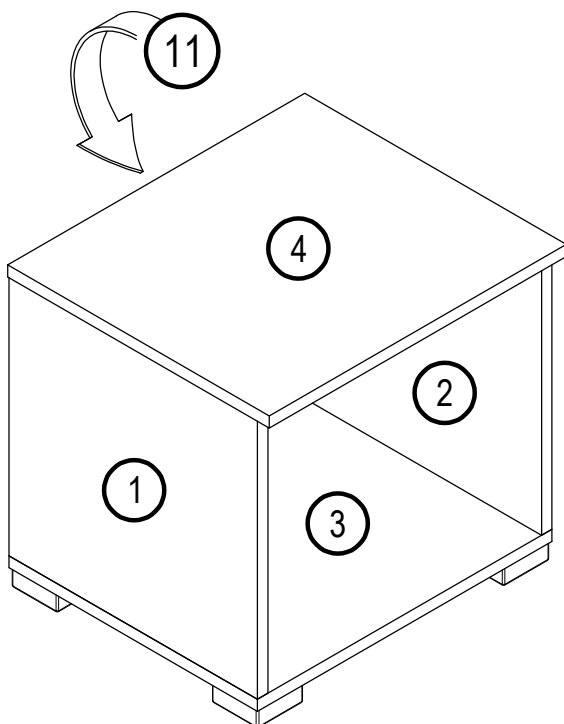
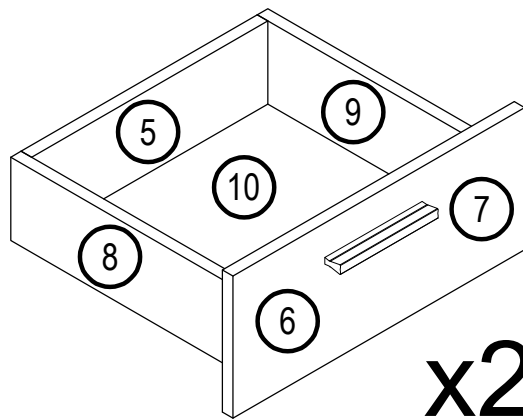
## BEDSIDE CABINET



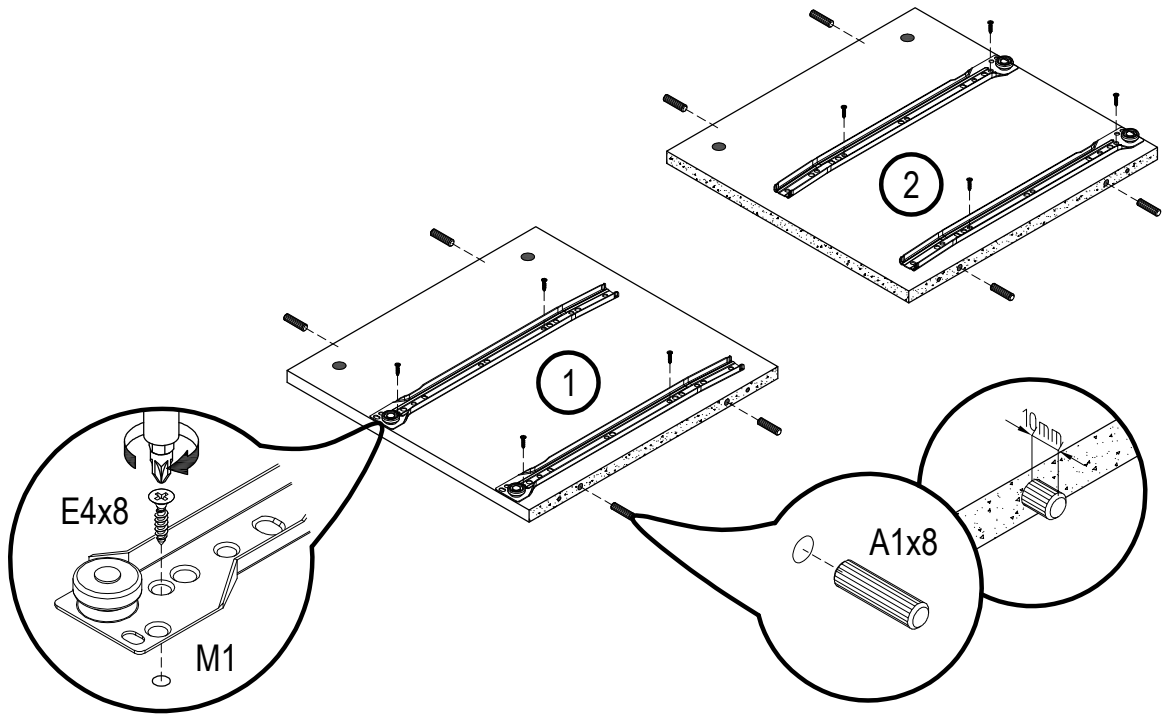


 <b>A1</b> 8*30mm x24	 <b>B</b> $\phi$ 12mm x4	 <b>B1</b> 6,3*50mm x4
 <b>C1</b> 6*43mm x8	 <b>D</b> $\phi$ 20mm x8	 <b>D1</b> 15/16 x8
 <b>E4</b> 3*15mm x20	 <b>E14</b> 4*25mm x4	 <b>E16</b> 4*35mm x8
 <b>I10</b> x2	 <b>K4</b> x4	 <b>M1</b> L350mm x2
 <b>R1</b> x1	 <b>R3</b> 1.4*25mm 30g	 <b>R4</b> N°4 x1

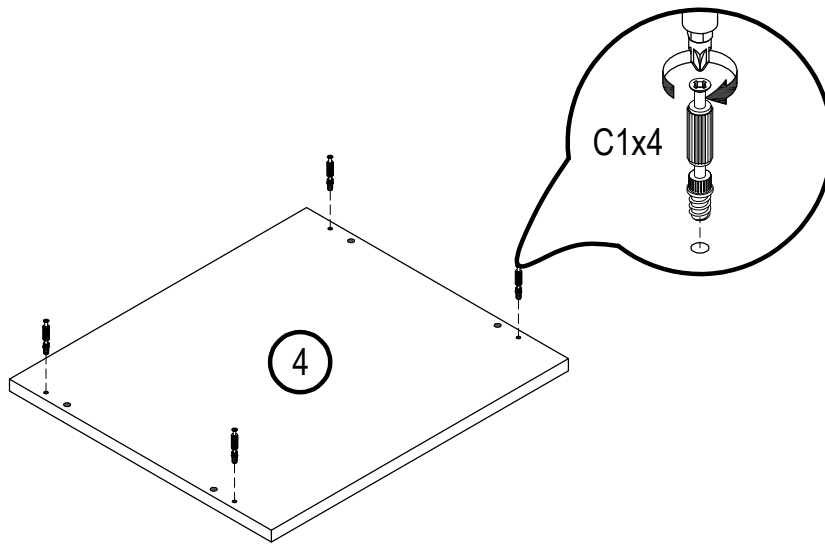
N°	a*b	x	N°	a*b	x
1	370x380	1	7	446x188	1
2	370x380	1	8	350x110	2
3	450x380	1	9	350x110	2
4	454x400	1	10	391x353	2
5	361x110	2	11	446x398	1
6	446x188	1			



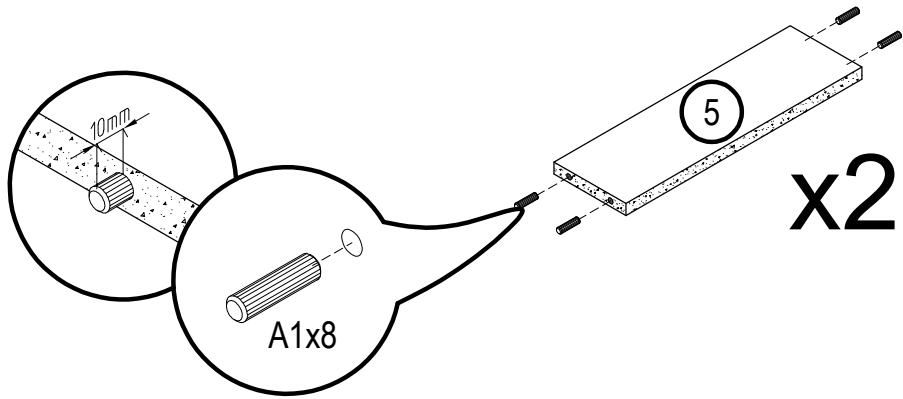
# 1



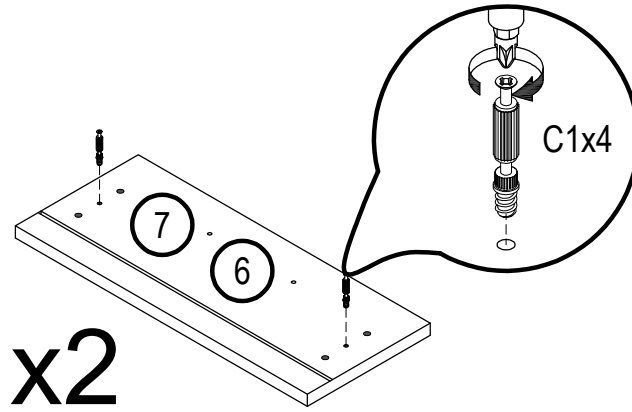
# 2



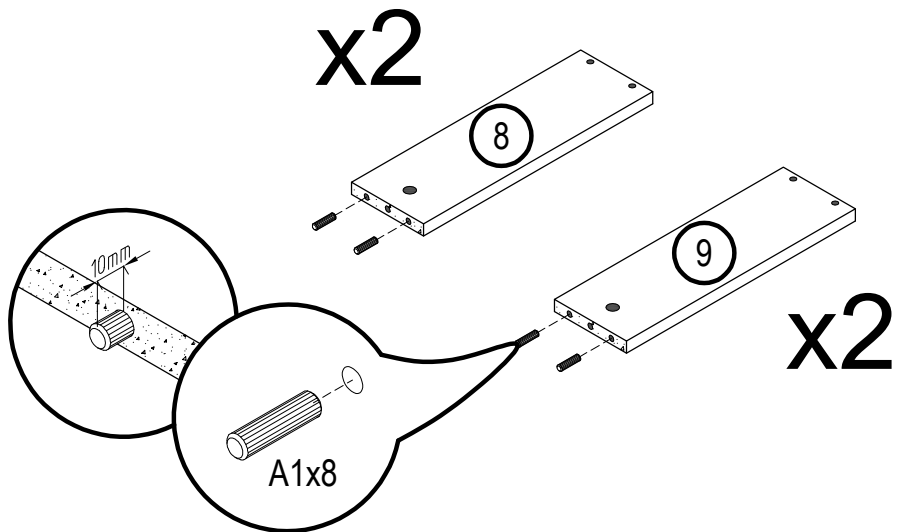
# 3



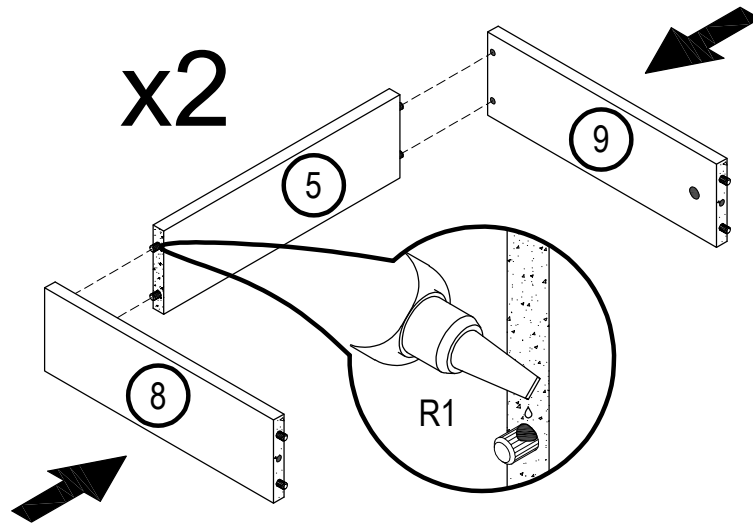
# 4



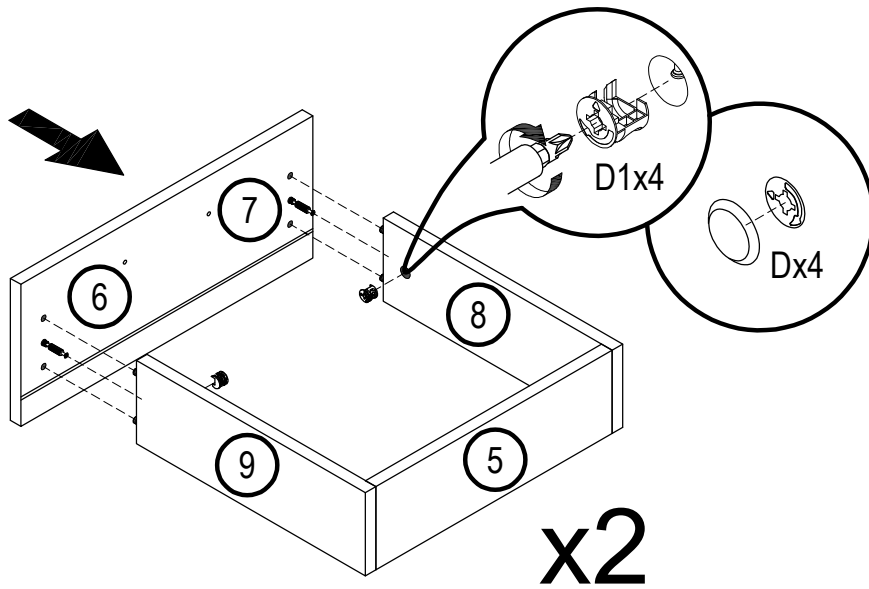
# 5



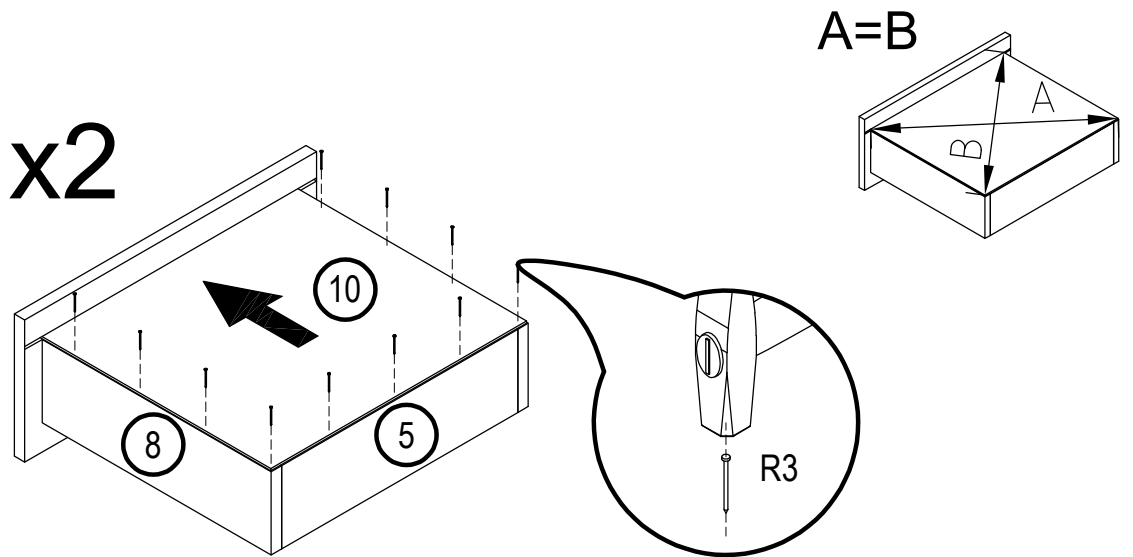
# 6



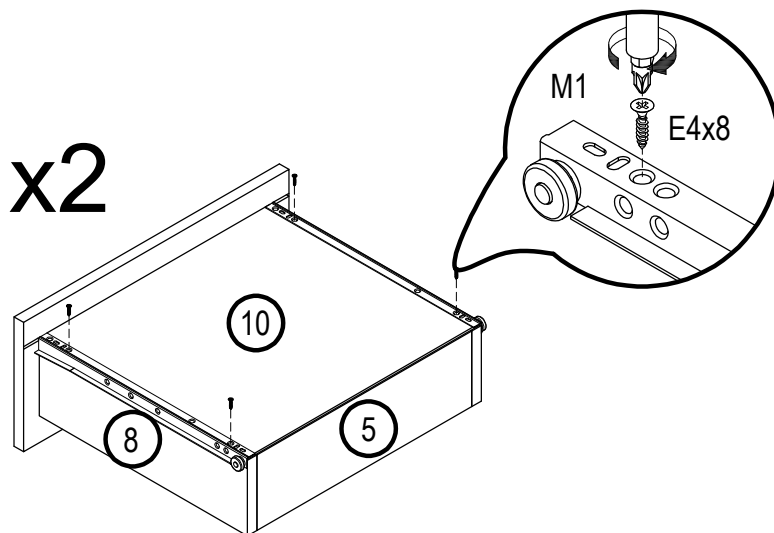
# 7



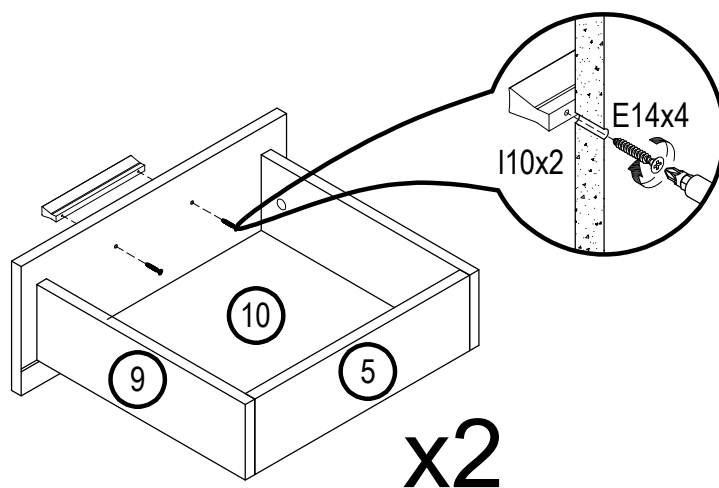
# 8



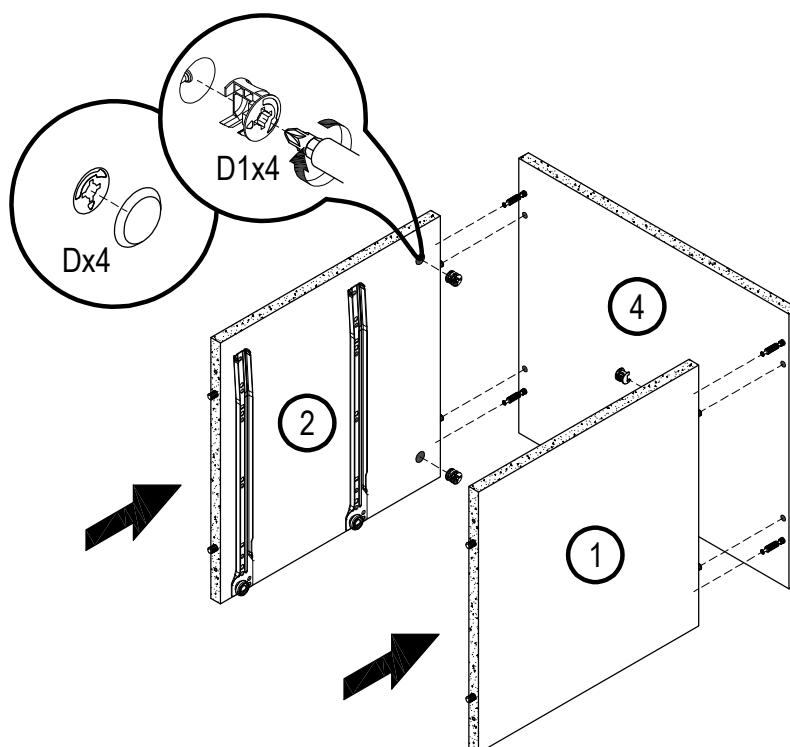
# 9



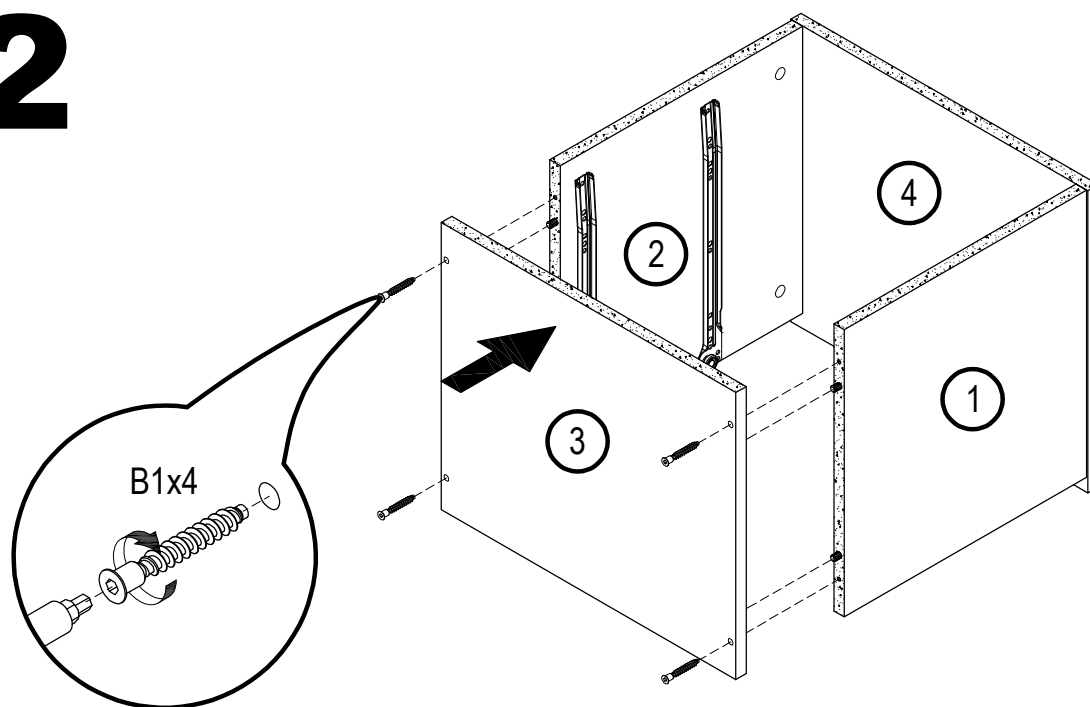
# 10



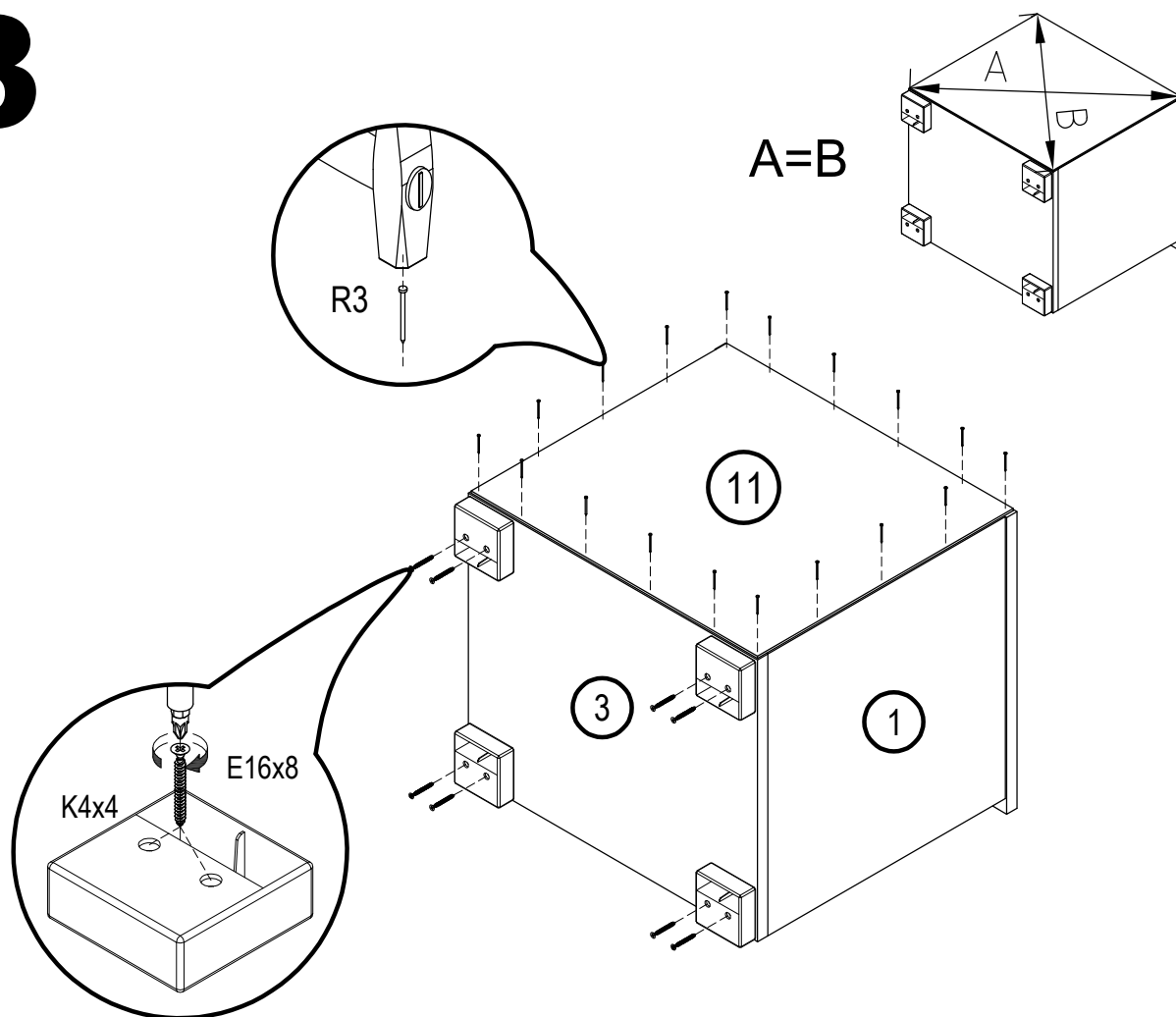
# 11



# 12



# 13





# 14

